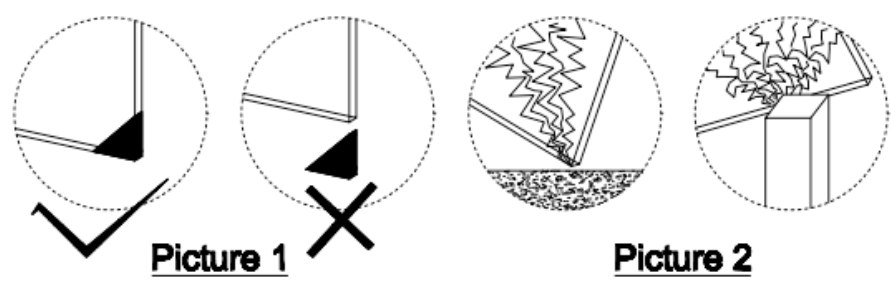




**WARNING**

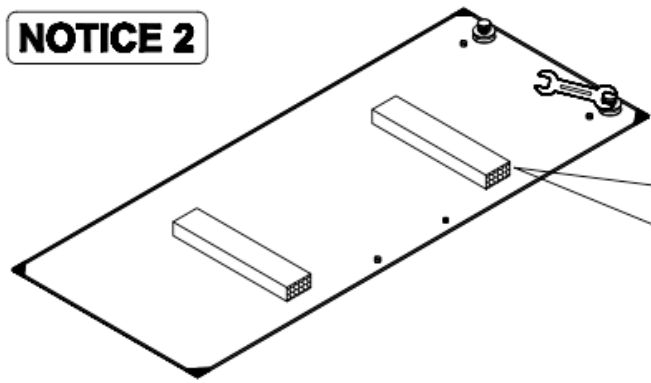
Beware of broken glass

NOTICE 1



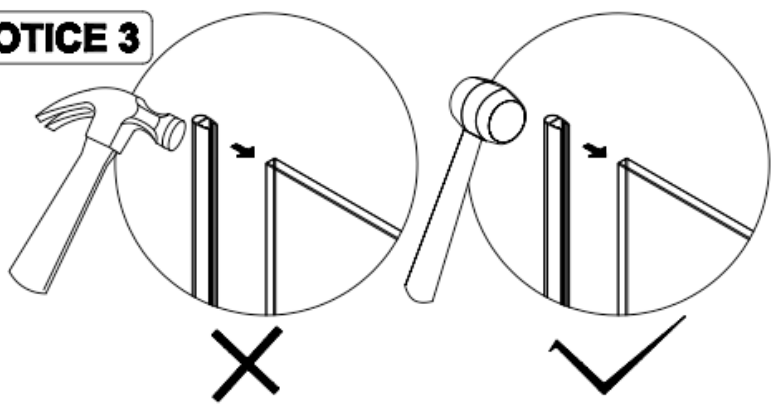
- Picture 1** ✓
- Picture 2** ✗
1. When handling and installing the glass, the plastic corner protectors should be mounted on the glass.(Picture 1)
 2. This prevents the corners or edges of the glass from hitting the bottom and objects and causing the glass to shatter.(Picture 2)

NOTICE 2



When mounting metal parts, the glass should be placed horizontally and protective pads should be placed underneath the glass.

NOTICE 3



If it is necessary to strike the parts during installation, a rubber hammer must be used, not a metal hammer.