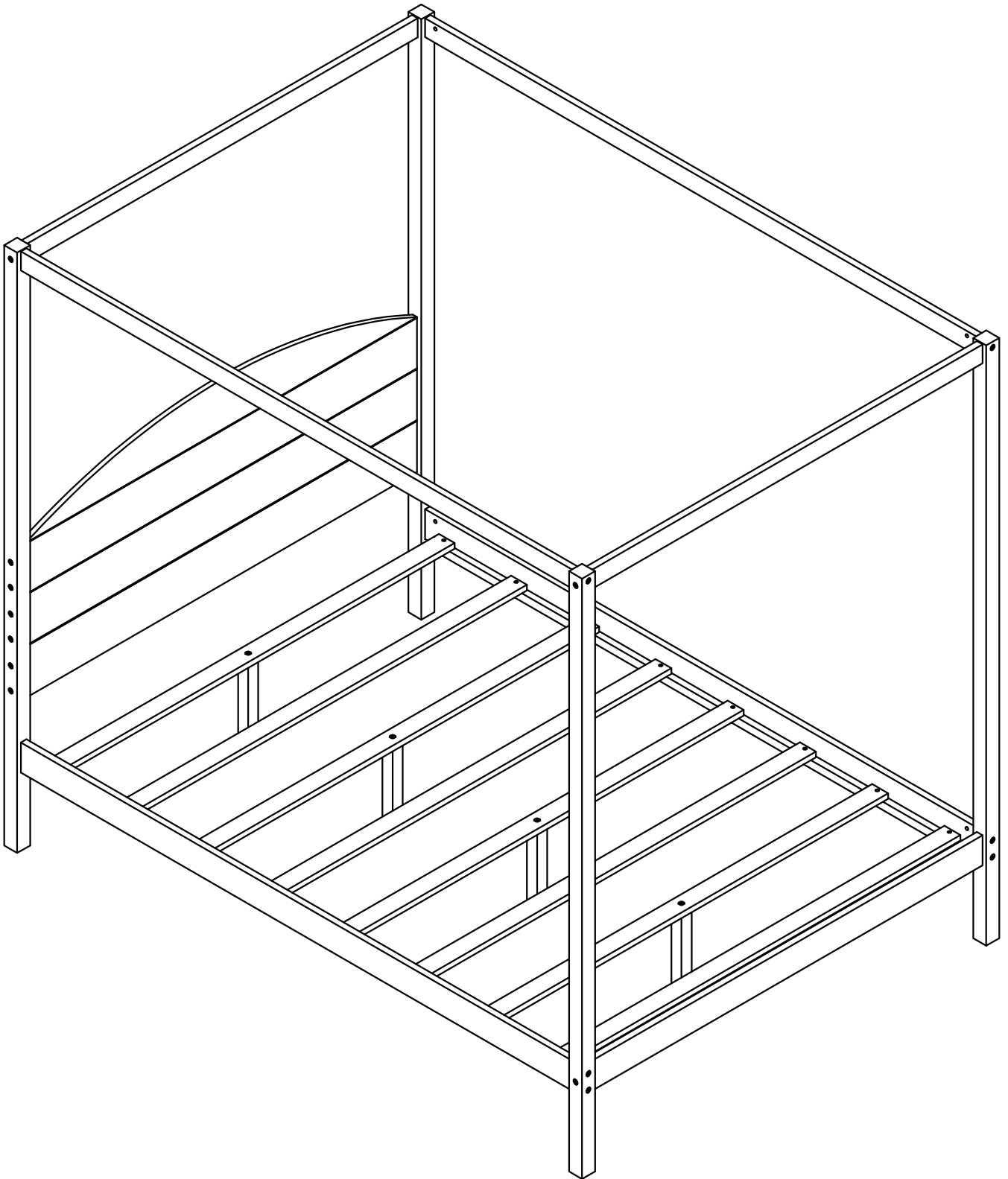


ASSEMBLY INSTRUCTION

SKU CODE: (WF293825)

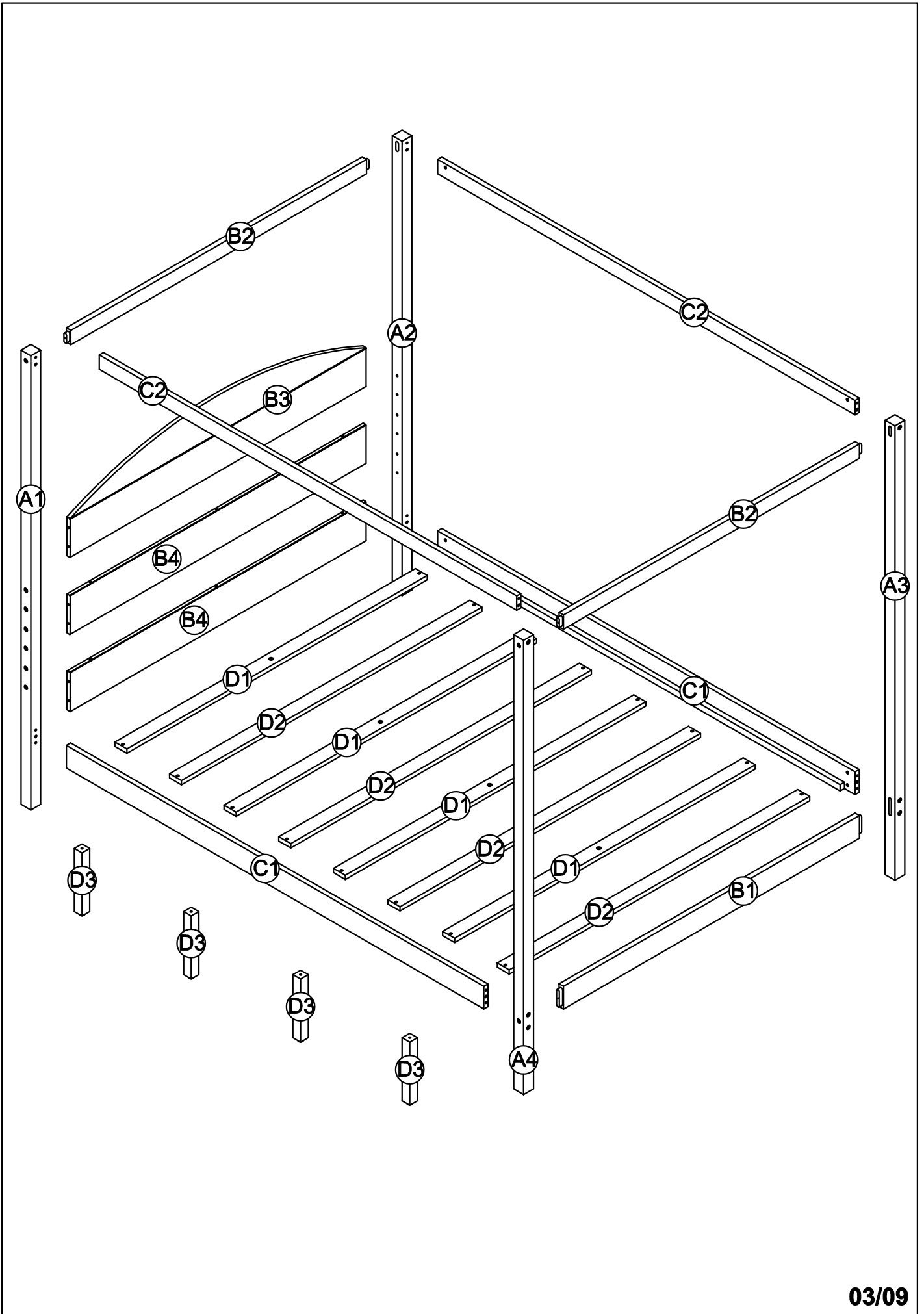


SAFETY WARNINGS AND GENERAL NOTES:





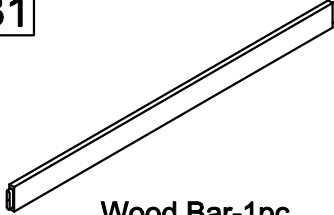
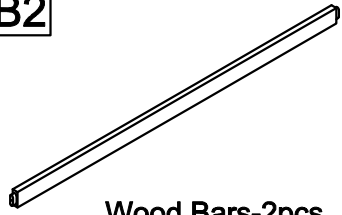
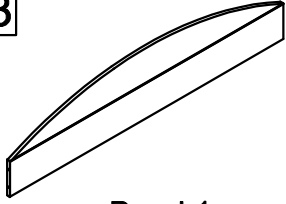

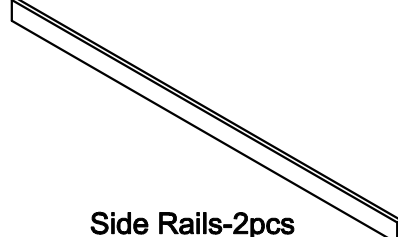
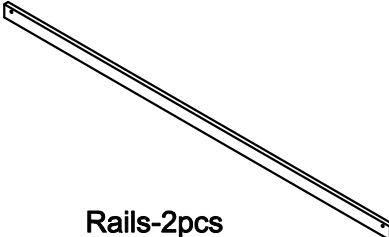
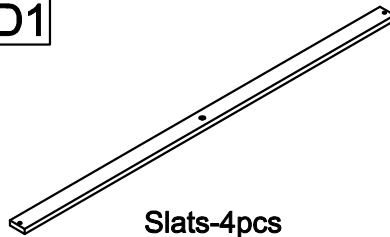
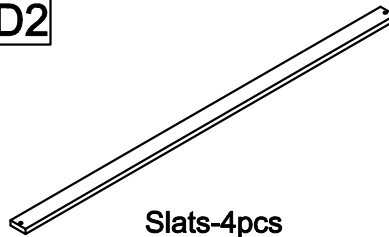

- 1. Do not use substitute parts. Contact the manufacturer or dealer for replacement parts.**
- 2. Keep these instructions for future reference.**
- 3. We recommend assembling your bed on the shipping carton to protect your floor or carpet.**
- 4. Be certain all staples are out of the box before beginning assembly on the shipping carton.**

5.Replacement Parts:


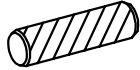

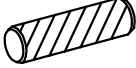
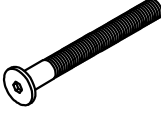




Replacement Parts, including additional guardrails, may be obtained from any of our (GIGACLOUD TECHNOLOGY (USA) INC.) dealers

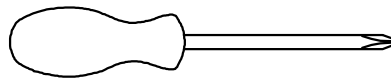


Part List & Hardware List (WF293825)

<p>A1</p>  <p>Leg(Front-Left)-1pc</p>	<p>A2</p>  <p>Leg(Back-Left)-1pc</p>	<p>A3</p>  <p>Leg(Back-Right)-1pc</p>
<p>A4</p>  <p>Leg(Front-Right)-1pc</p>	<p>B1</p>  <p>Wood Bar-1pc</p>	<p>B2</p>  <p>Wood Bars-2pcs</p>
<p>B3</p>  <p>Panel-1pc</p>	<p>B4</p>  <p>Panels-2pcs</p>	<p>C1</p>  <p>Side Rails-2pcs</p>
<p>C2</p>  <p>Rails-2pcs</p>	<p>D1</p>  <p>Slats-4pcs</p>	<p>D2</p>  <p>Slats-4pcs</p>
<p>D3</p>  <p>Support Slats-4pcs</p>		

Hardware List

<p>1</p>  <p>Screws 1/4" x70 6pcs</p>	<p>2</p>  <p>Ø8 x 30 mm Wood dowel 6pcs</p>	<p>3</p>  <p>Ø1/4" x 60 mm Hex-Head bolts 12pcs</p>
<p>4</p>  <p>Ø10 x 40 mm Wood dowel 8pcs</p>	<p>5</p>  <p>Ø1/4" x 90 mm Hex-Head bolts 12pcs</p>	<p>6</p>  <p>Ø1/4" x 13 mm Horizontal-Hole bolts 12pcs</p>
<p>7</p>  <p>Ø1/4" x 30 mm Hex-Head bolts 4pcs</p>	<p>8</p>  <p>M4 x 30 mm Wood Screws 16pcs</p>	<p>9</p>  <p>Allen Key 1pc</p>






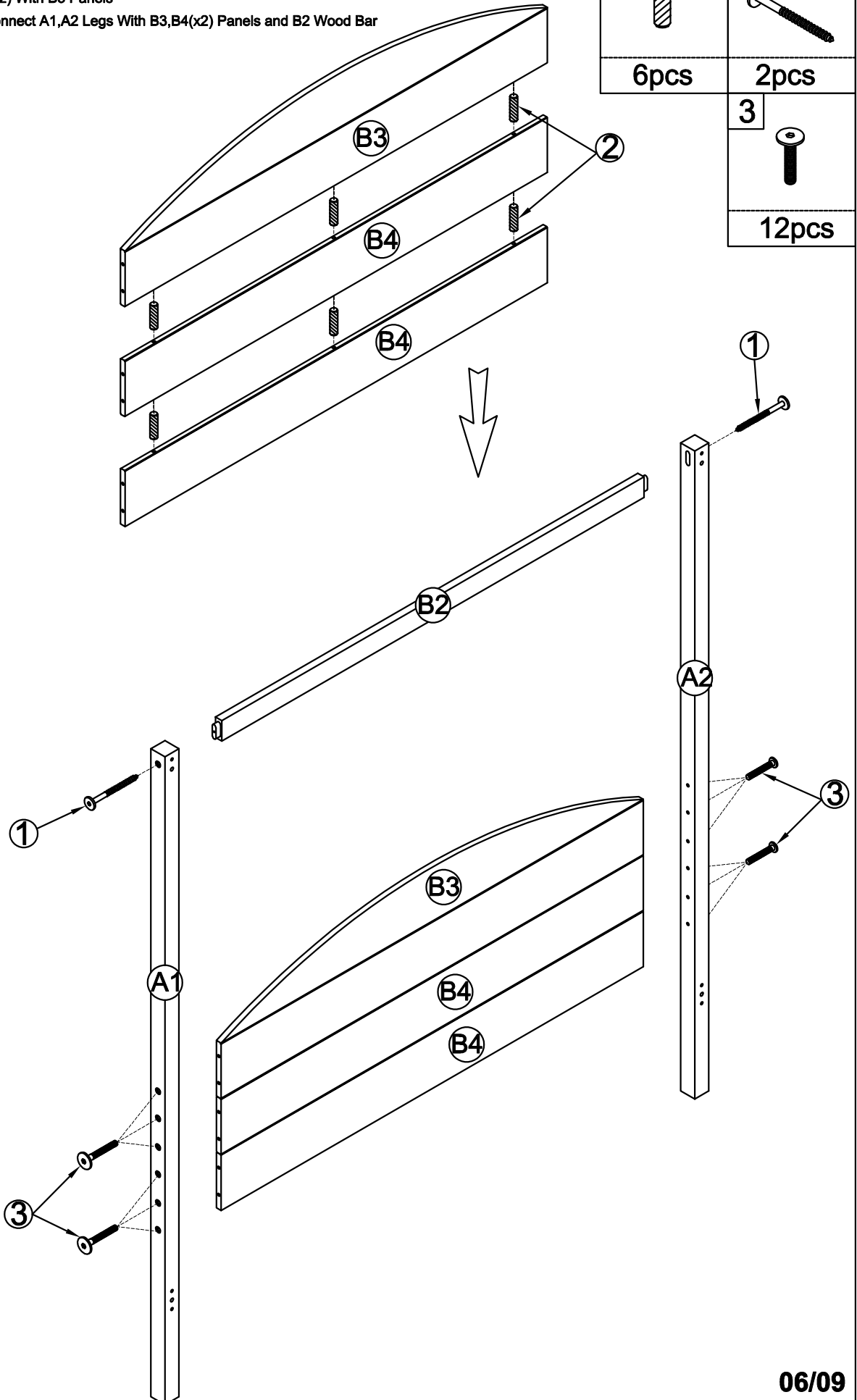
Assembly Tools Required (Not Included)

STEP1: Following below illustration Assembly Headboard .

-Using Dowel #2 Fix B4(x2) With B3 Panels

-Using hardware #1,#3 connect A1,A2 Legs With B3,B4(x2) Panels and B2 Wood Bar

2		1	
6pcs		2pcs	
		3	
		12pcs	



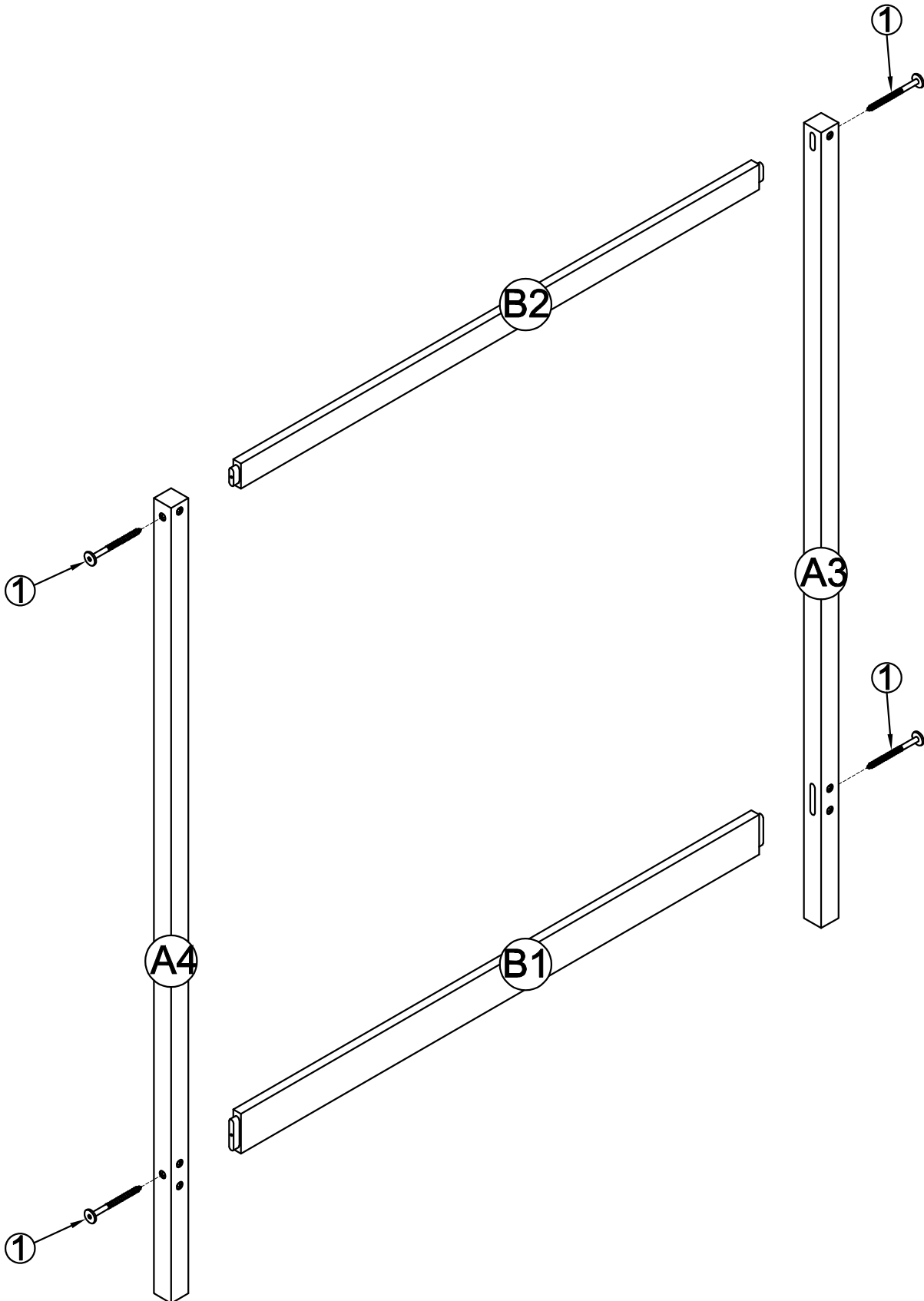
STEP1: Following below illustration Assembly Footboard .

-Using hardware #1 connect A3,A4 Legs With B1,B2 Wood Bars

1


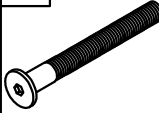



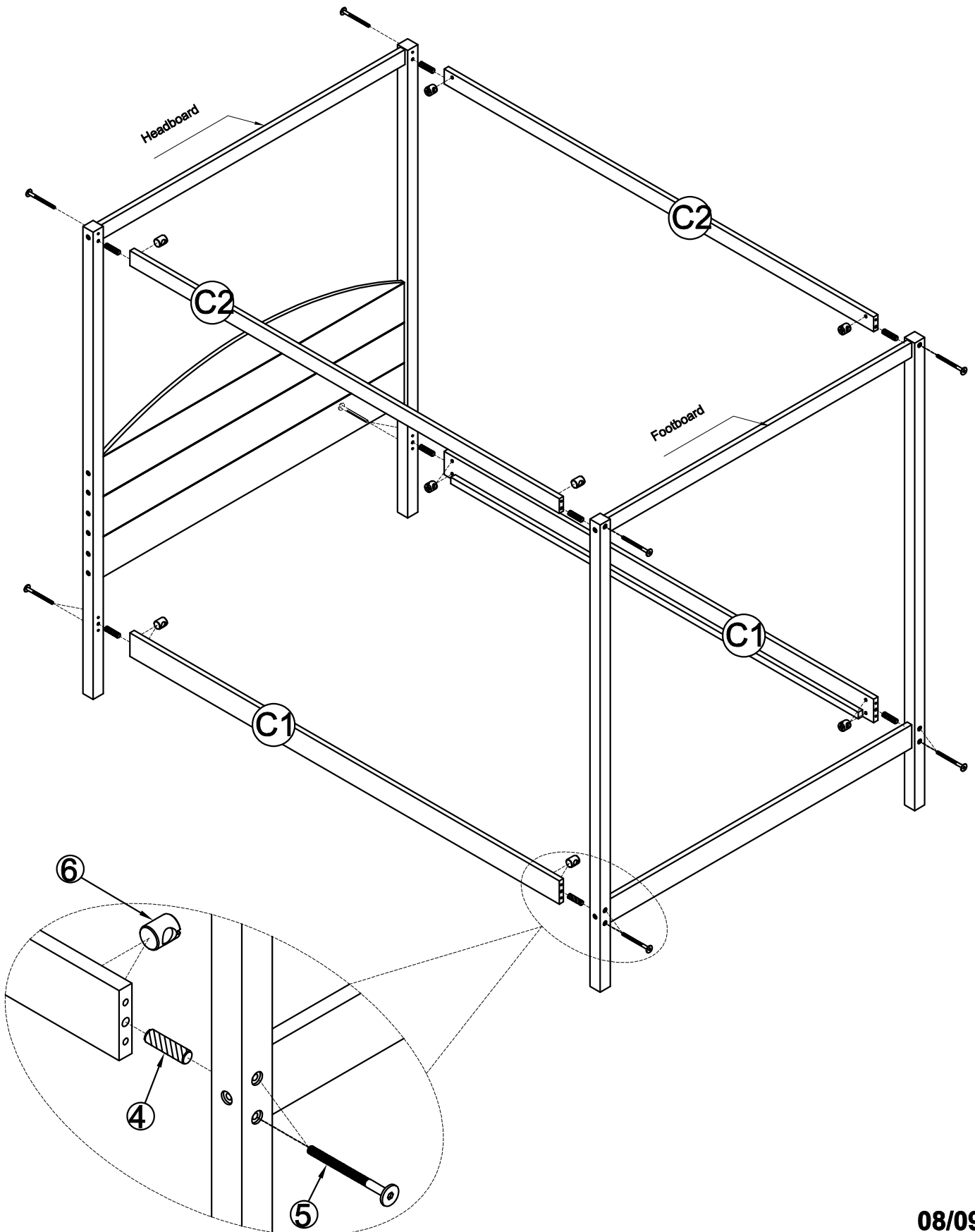
4pcs



STEP 3: Following below illustration:


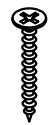
-Using hardware #5, #6 and dowel #4 to Assembly Headboard and Footboard with siderail C1(x2) and Rails C2(x2)
-Look at detail view for more detail

6	5	4
		
12pcs	12pcs	8pcs



STEP 4: Following below illustration:

- Using hardward #7 to Assembly Slats D1(x4) With Support Slats D3(x4)
- Screw slats D1(x4),D2(x4) with Side Rail C1 by using hardward #8.
- Look at detail view for more detail

7	
4pcs	
8	
16pcs	

