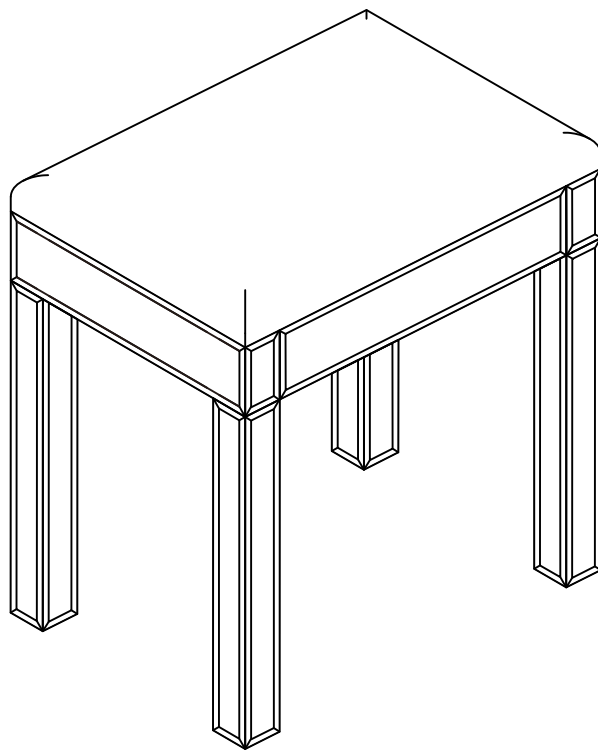
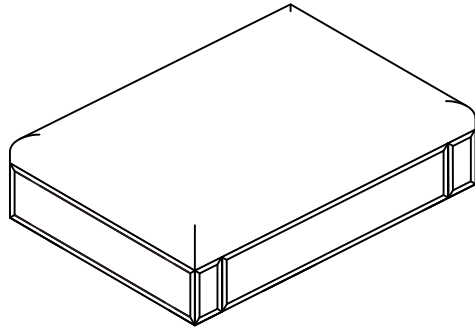


Assembly Instruction

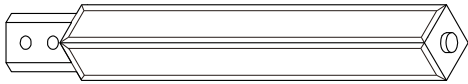


1



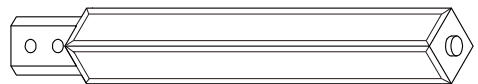
1 pc

2



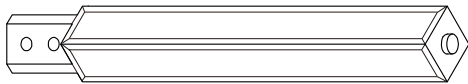
1 pc

3



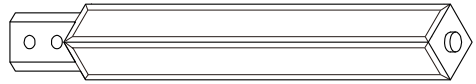
1 pc

4



1 pc

5



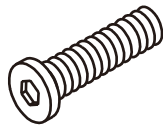
1 pc

A



1 pc

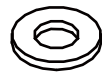
B



M8*45

8 pcs

C



8 pcs

D



8 pcs

STEP 1

