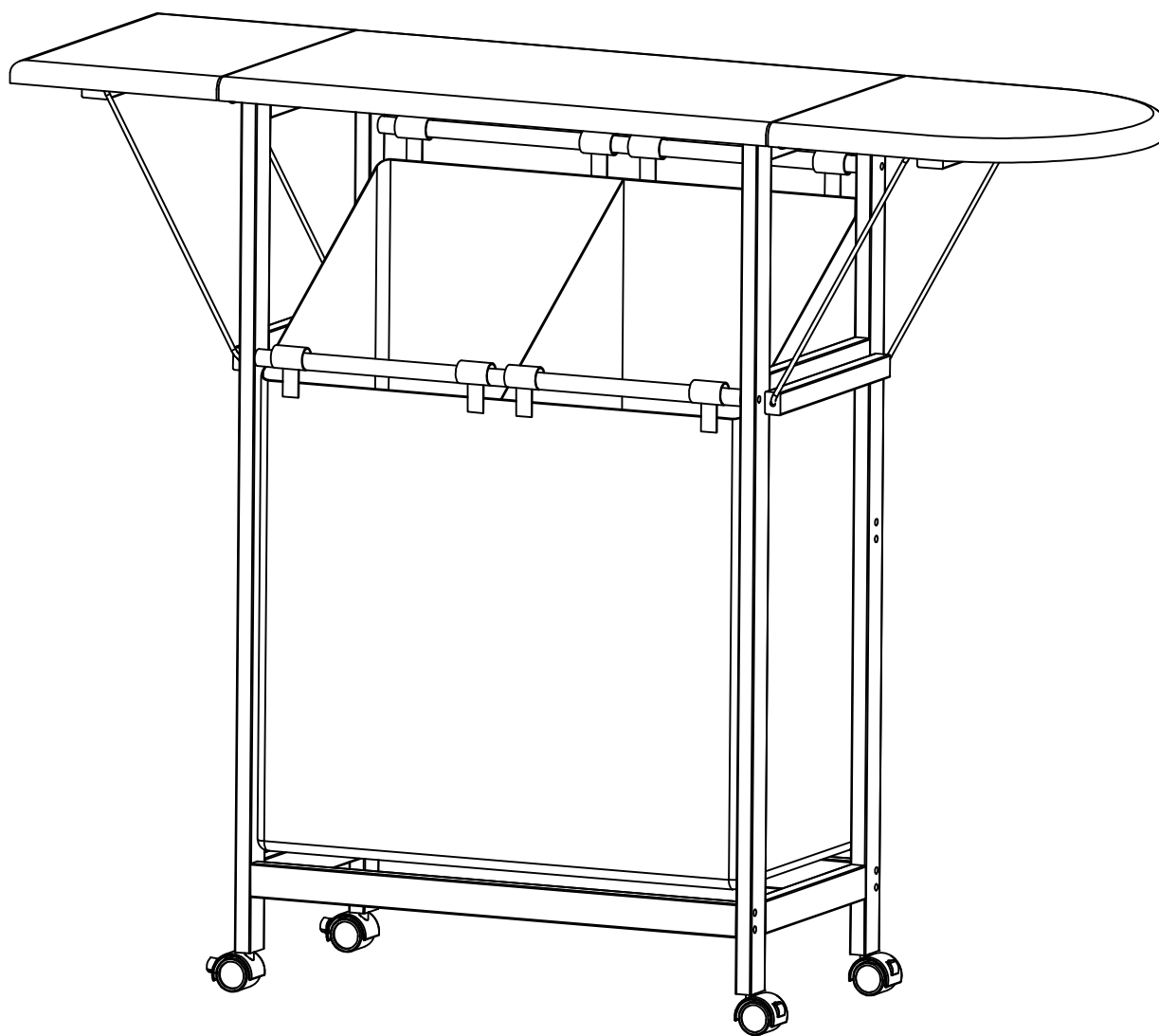


INSTALLATION INSTRUCTIONS

Bamboo Laundry Hamper Storage Cart



SAFETY PRECAUTIONS

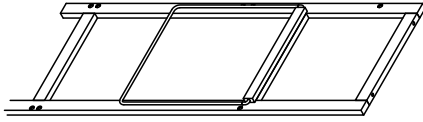
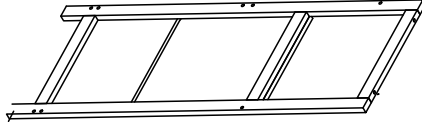

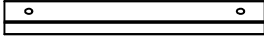
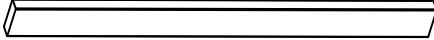
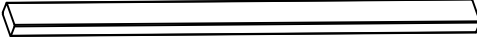
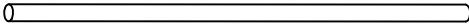
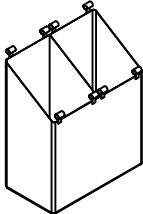



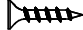



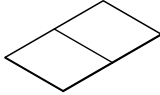
WARNING

- **CHOKING HAZARD FOR SMALL CHILDREN.** The unit contains small parts. Children should always be under adult supervision or serious bodily injury could occur. The unit is intended to be assembled by an adult.
- **DO NOT OVERLOAD UNIT.** If any shelf of the unit bows or bends, it is overloaded. The shelf could collapse and cause serious bodily injury and/or damage to personal belongings.
- **DO NOT CLIMB OR STEP ON THE UNIT.** The unit may become unstable and either tip over or collapse. Serious bodily injury and/or damage to personal belongings may occur.
- **DO NOT USE THIS UNIT AS A TELEVISION STAND.** Serious bodily injury and/or damage to personal belongings may occur.
- **DO NOT MOUNT OR ATTACH ANYTHING TO THE SIDES, REAR, OR FRONT OF THE UNIT.** This can create a tip-over hazard. Serious bodily injury and/or damage to personal belongings may occur.
- **DO NOT MOUNT OR ATTACH ANYTHING TO THE SIDES, REAR, OR FRONT OF THE UNIT.** This can create a tip-over hazard. Serious bodily injury and/or damage to personal belongings may occur.
- **DO NOT STACK UNITS. THIS CAN CREATE A TIP-OVER HAZARD.** Serious bodily injury and/or damage to personal belongings may occur.
- **DO NOT HANG THIS UNIT ON THE WALL.** The product is not designed for wall hanging. Serious bodily injury and/or damage to personal belongings may occur.
- **PROTECT YOUR WORK SURFACE DURING ASSEMBLY.** This can prevent scratching or damage to table tops, wood floors, etc.
- **WE RECOMMEND YOU HAND TIGHTEN SCREWS TO AVOID OVER TIGHTENING WITH POWER TOOLS.**

IMPORTANT:

- Place all parts from the box in a cleared area and position them on the floor in front of you.
- Remove all packing materials and place them back into the box. Do not dispose of the packing materials until assembly is complete.
- Read each step carefully before beginning any assembly and make sure you understand each step. If you are missing a part, please email : aftersales.group.sam@gmail.com

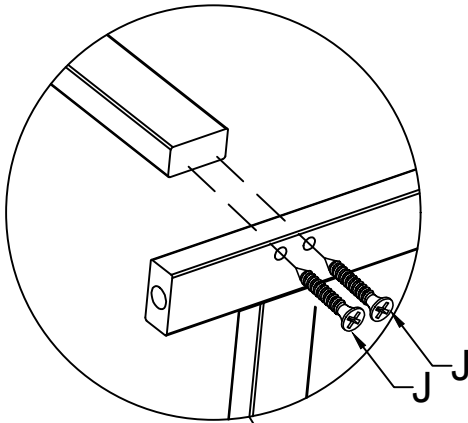
PARTS LIST

LABEL	QTY	IMAGE			
A	1				
B	1				
C	1				
D	2				
E	1				
F	2				
G	2				
H	1				
I	4	  35mm	J	16	  30mm
K	4				
M	4	  20mm			
					

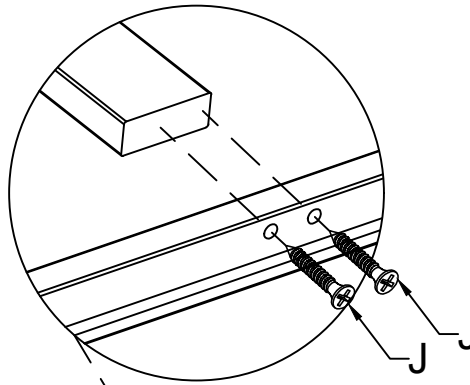
STEP. 1

Use screw(J) to connect 2pcs Part-F to Part-B.
Attach Part-E to Part-B by Screw(J).
Attach 2pcs Part-G to Part-B by Screw(J).

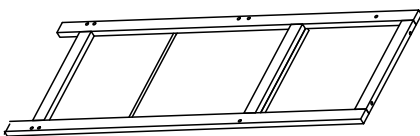
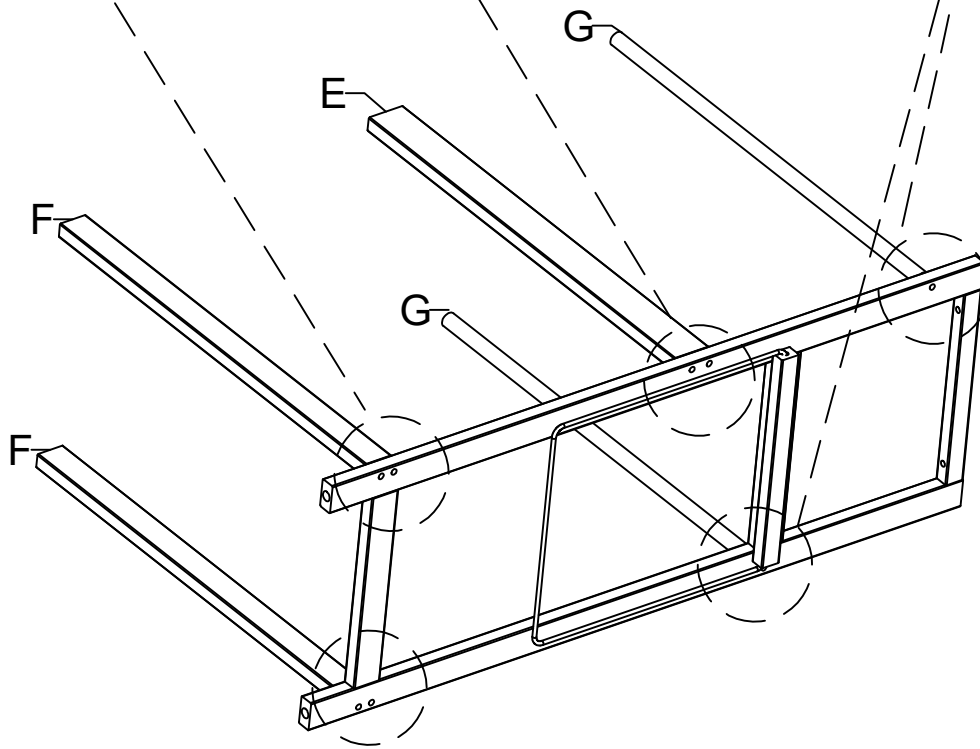
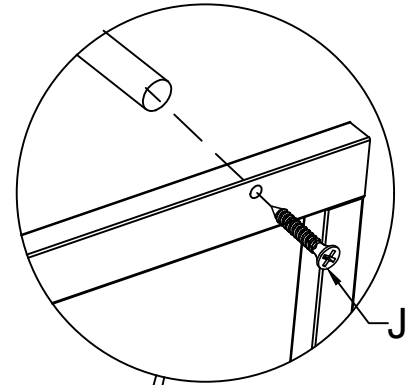
STEP. 1-1



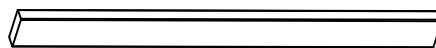
STEP. 1-2



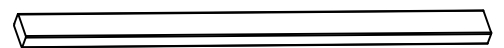
STEP. 1-3



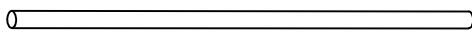
Ⓑ 1X



Ⓔ 1X



Ⓕ 2X



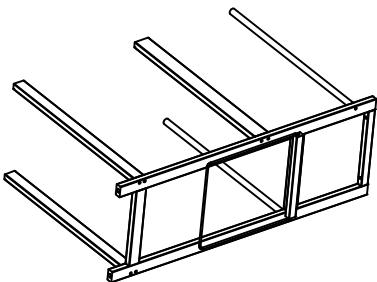
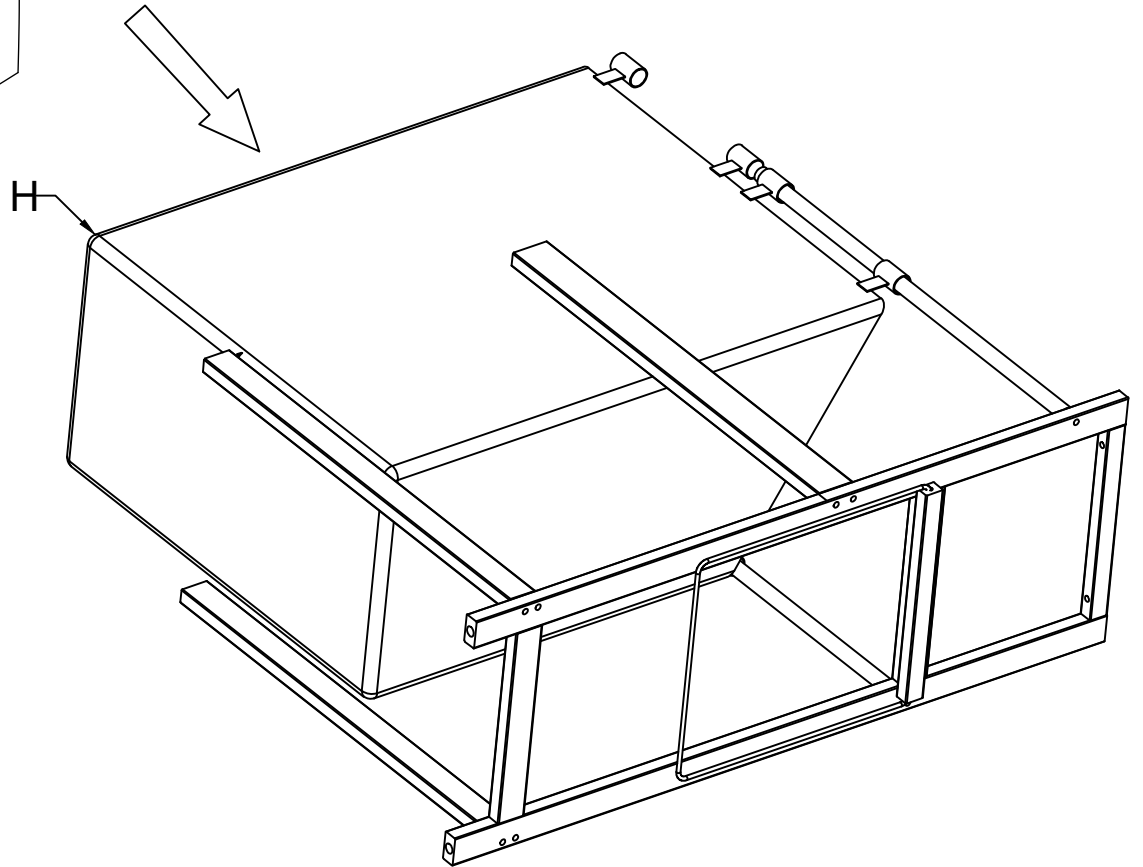
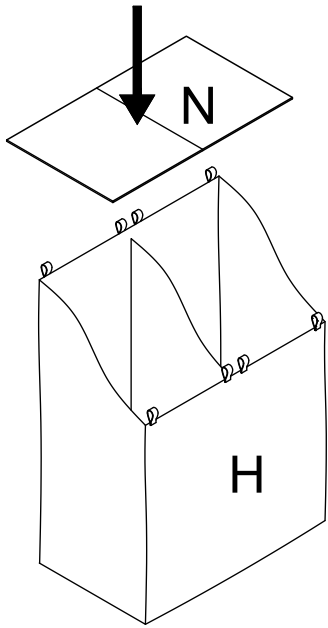
Ⓖ 2X



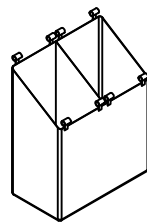
Ⓙ 8X

STEP. 2

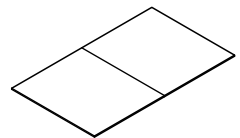
Put Part-N into the bottom of Part-H.
Then place the whole bag onto the installed frame.



1X



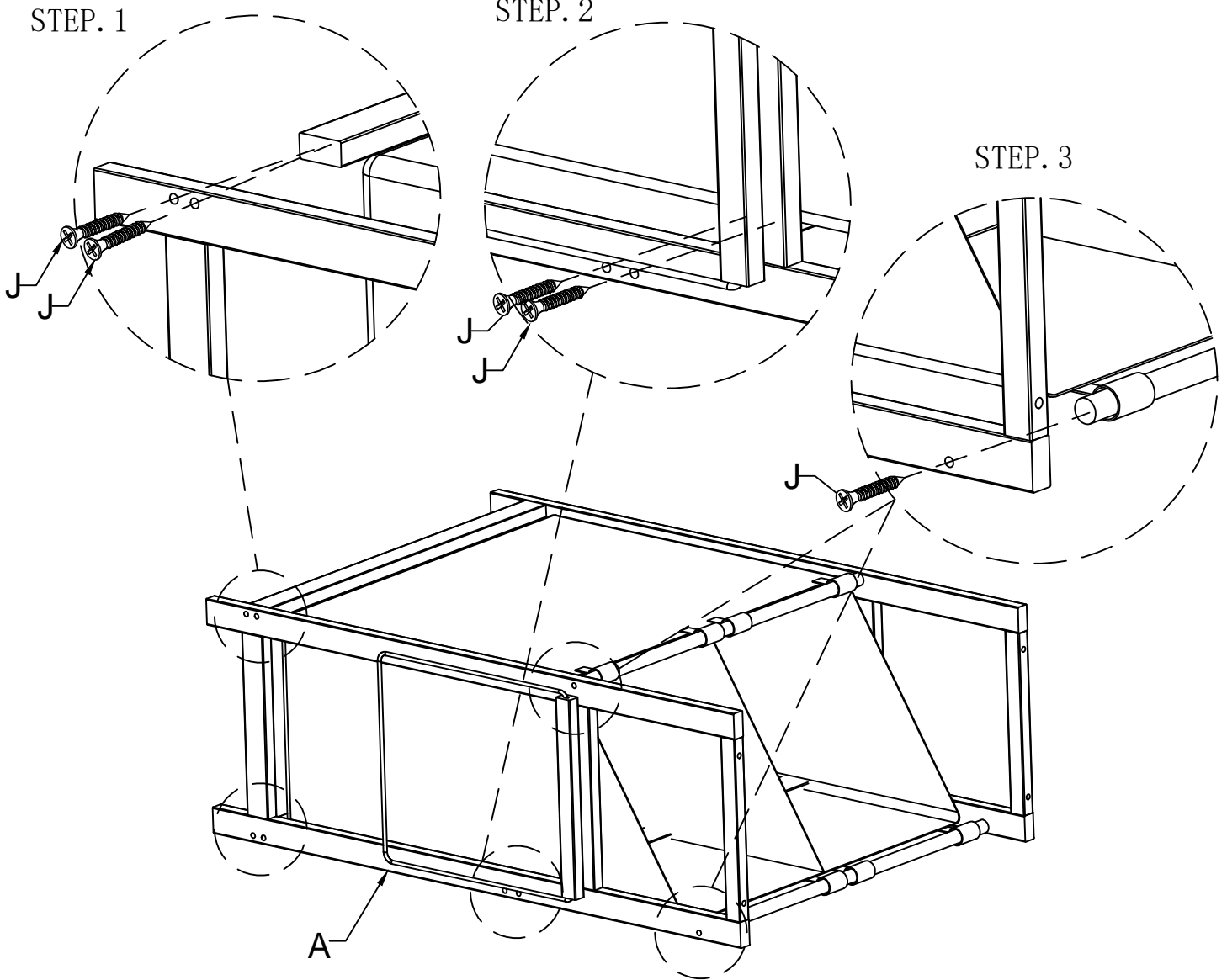
Ⓜ 1X



Ⓝ 1X

STEP. 3

Use Screw (J) to attach Part-A to installed frame.



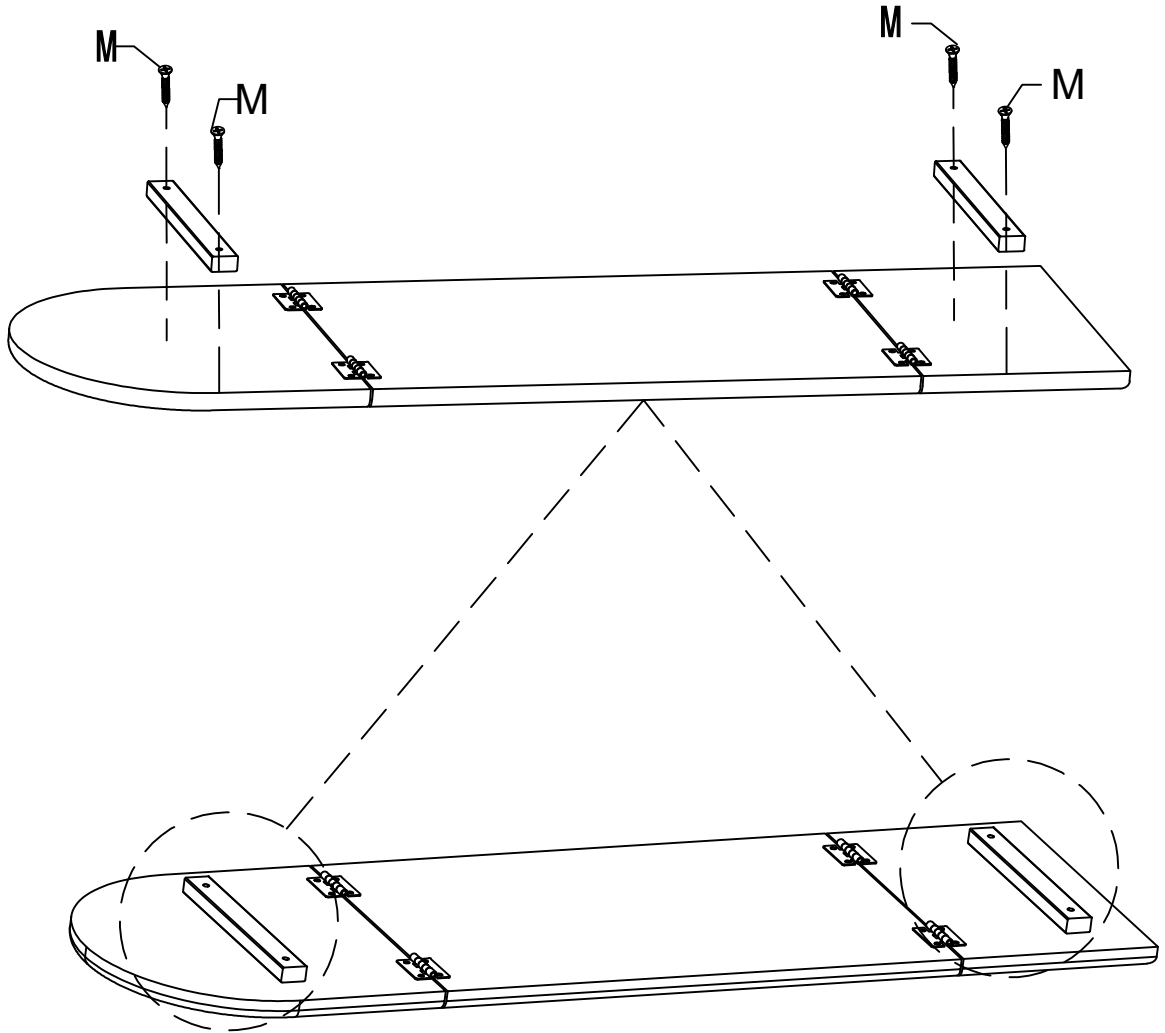
Ⓐ 1X



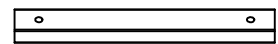
Ⓝ 8X

STEP. 4

Use Screw (M) to attach 2pcs Part-D to Part-C.



Ⓒ 1X



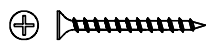
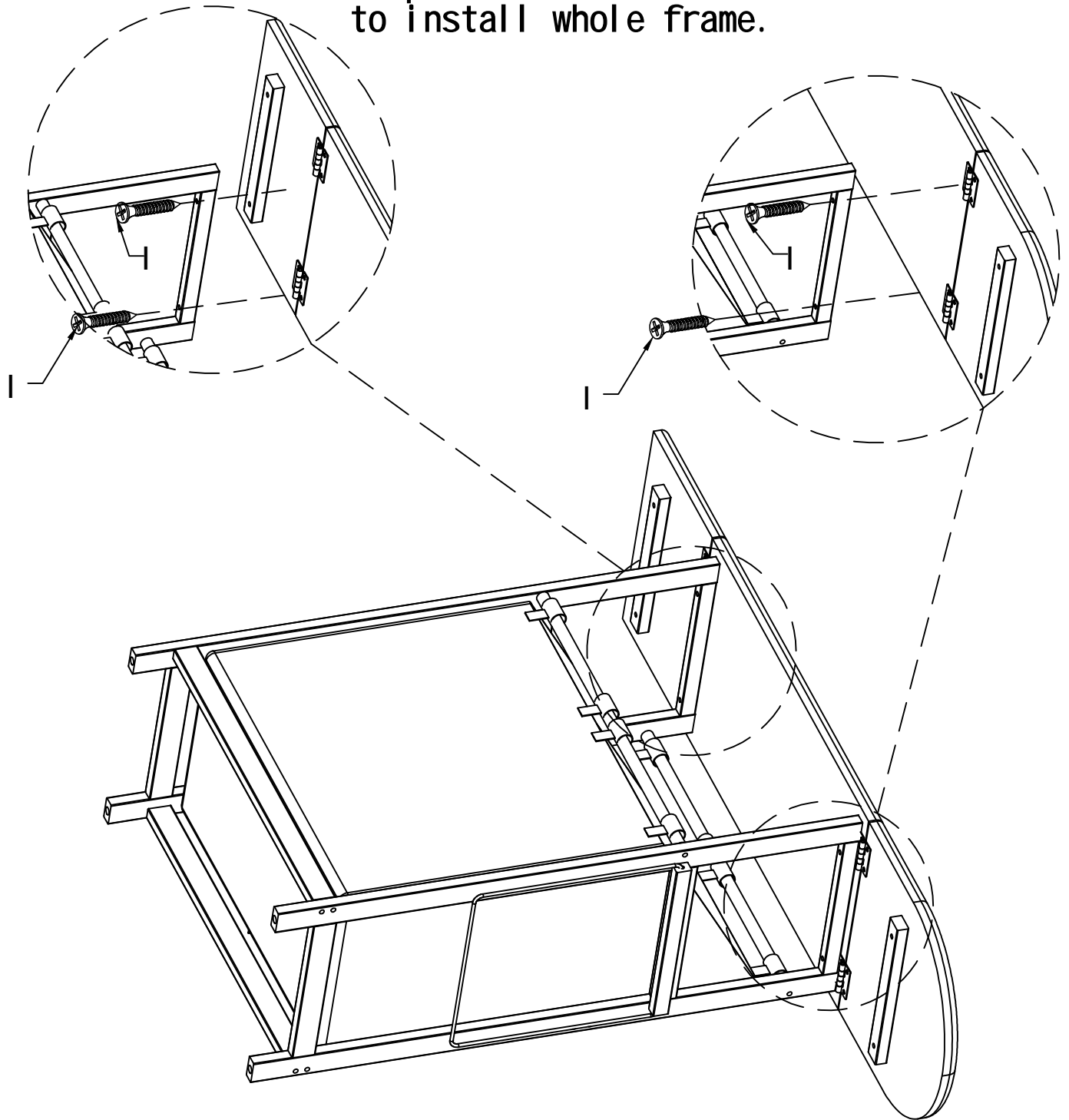
Ⓓ 2X



Ⓜ 4X

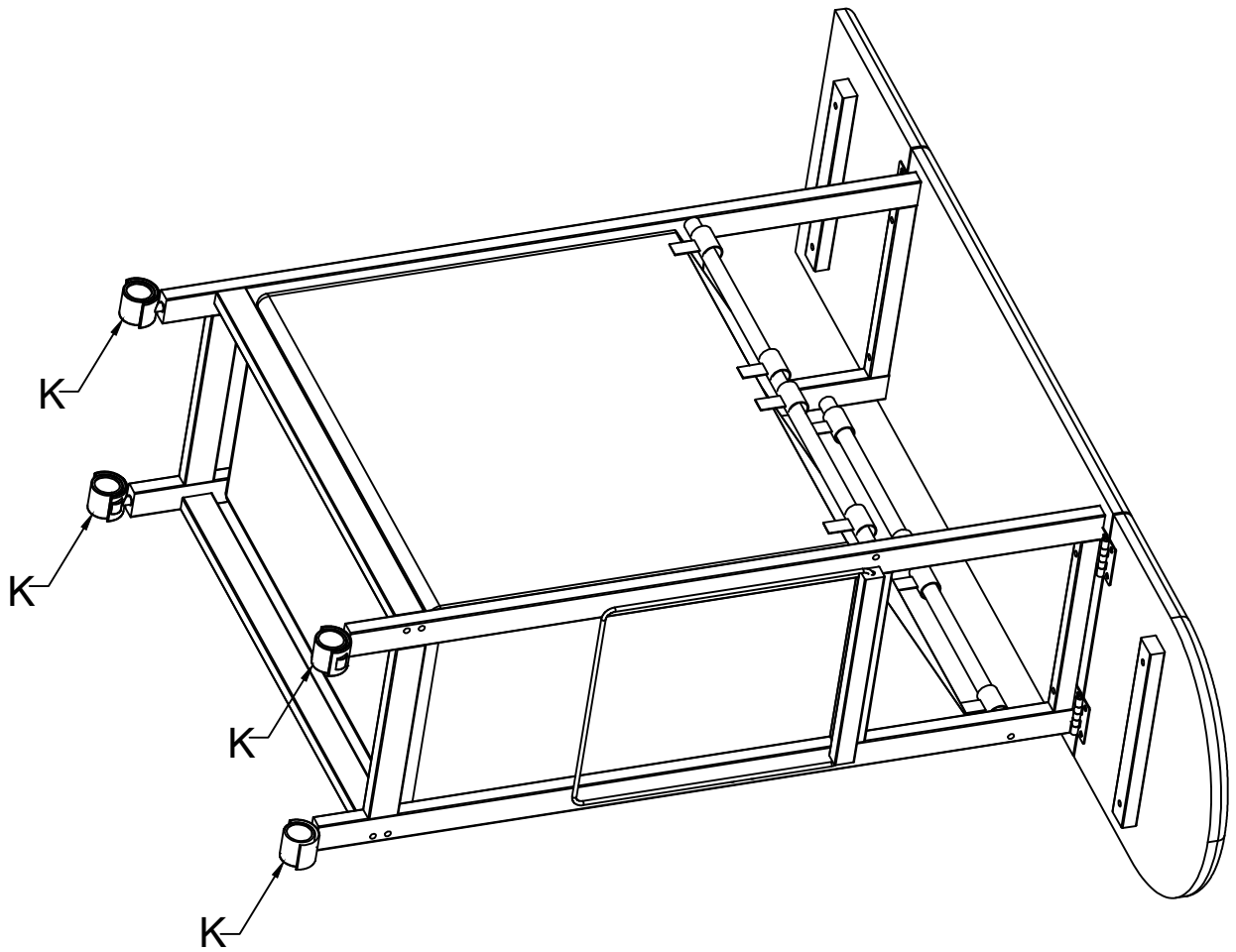
STEP. 5

Use Screw(I) to attach above step assembled Part-C aboard to install whole frame.



STEP. 6

Install the 4 wheels (K)
into the four legs
respectively.



Ⓚ 4X

STEP. 7

Finally, pull up the metal support frames on the left and right sides and clip them under the board.

