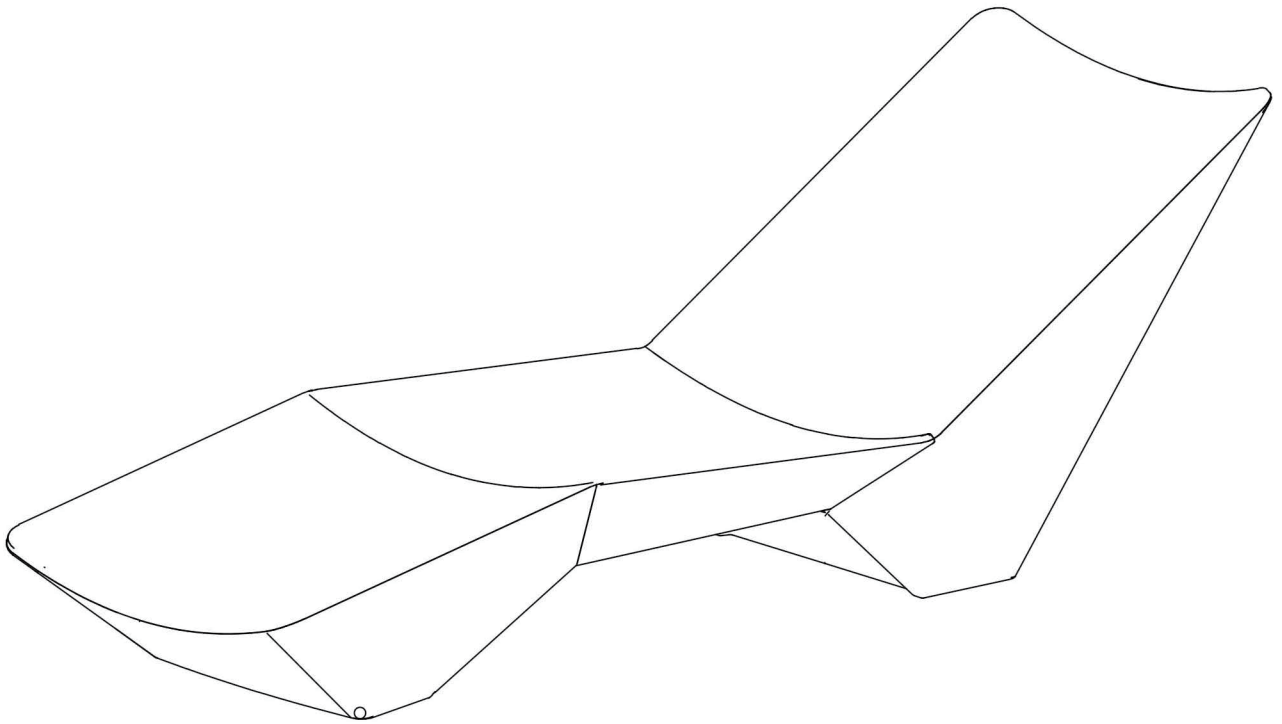


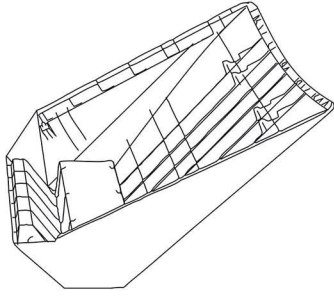
PRODUCT MANUAL



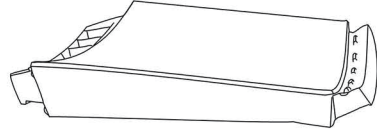
Outdoor Chaise Lounge

Parts List & Accessories List

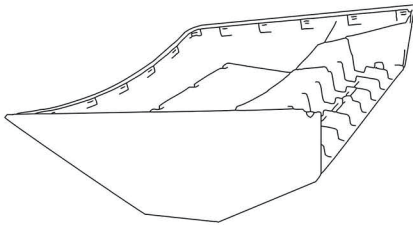
Ax1



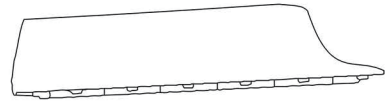
Bx1



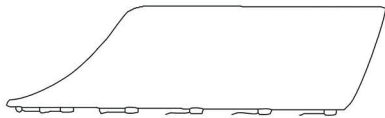
Cx1



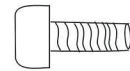
Dx1



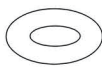
Ex1



Fx8



Gx8

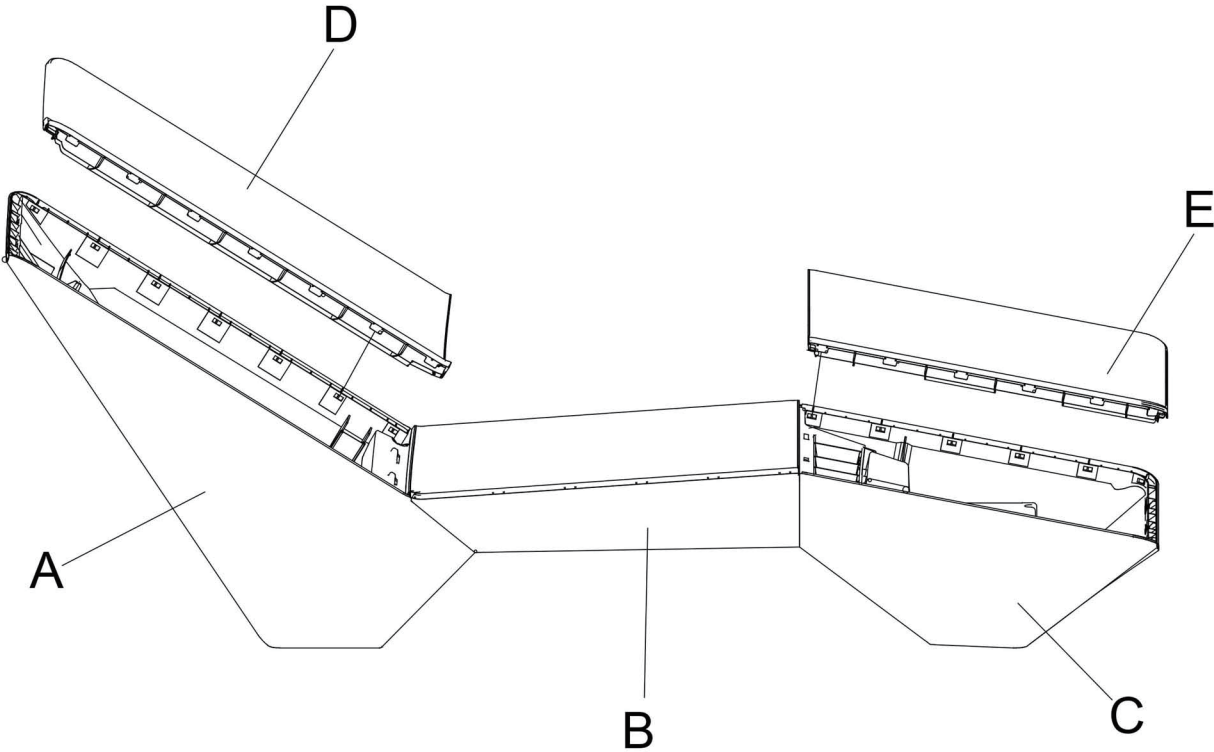


Hx1

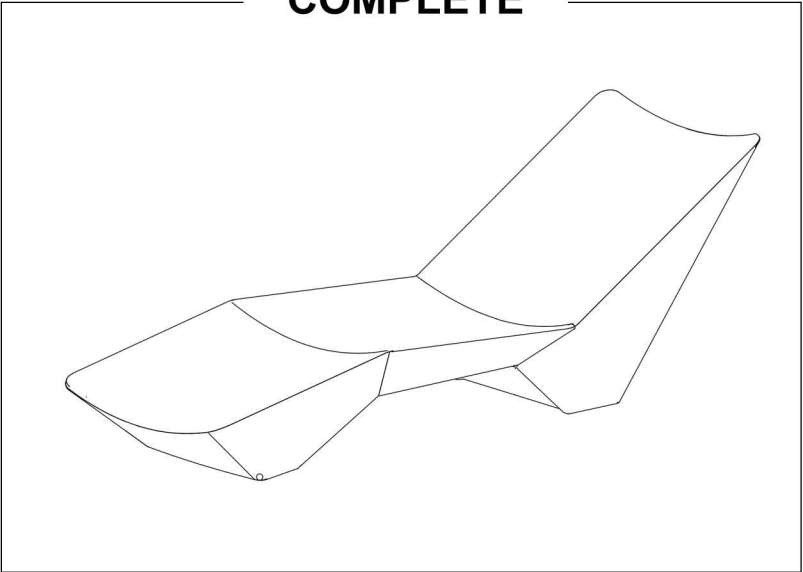


Exploded Views

EXPLODED

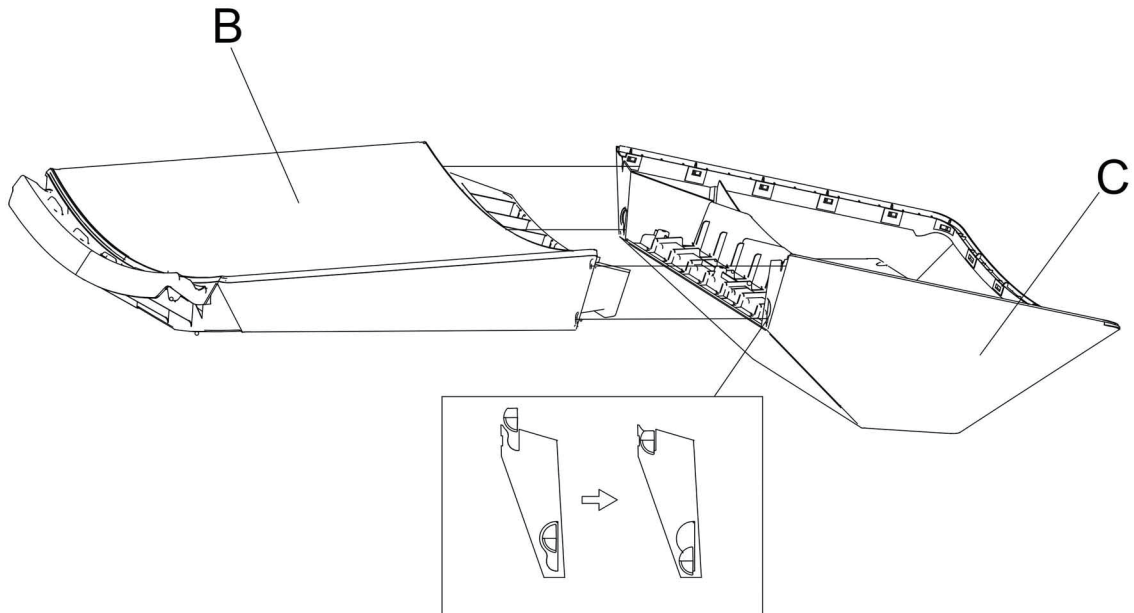


COMPLETE

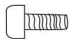



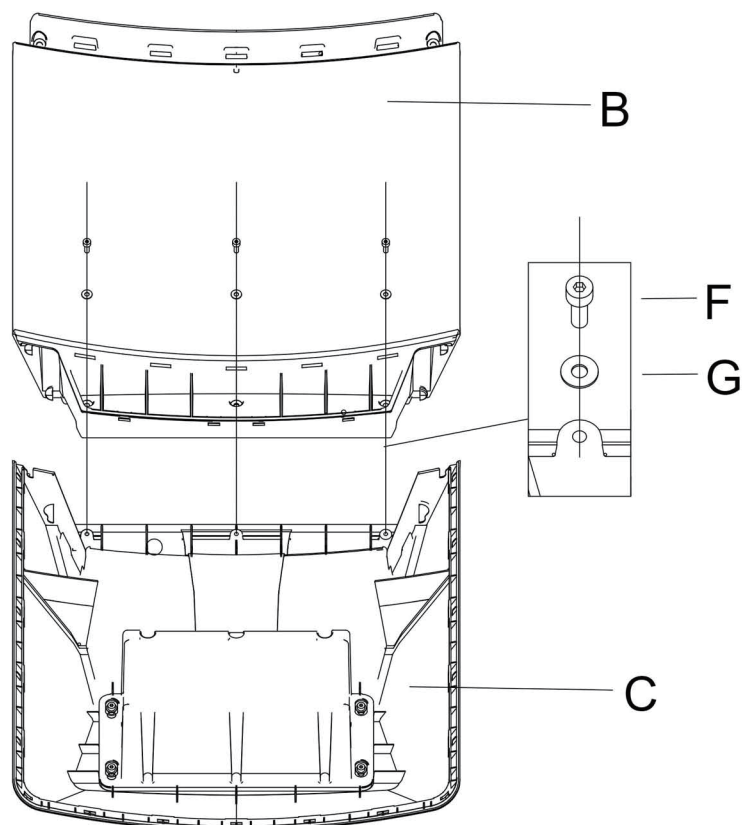
Installation Steps

Step 1



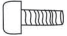
Step 2

- F  x3
- G  x3

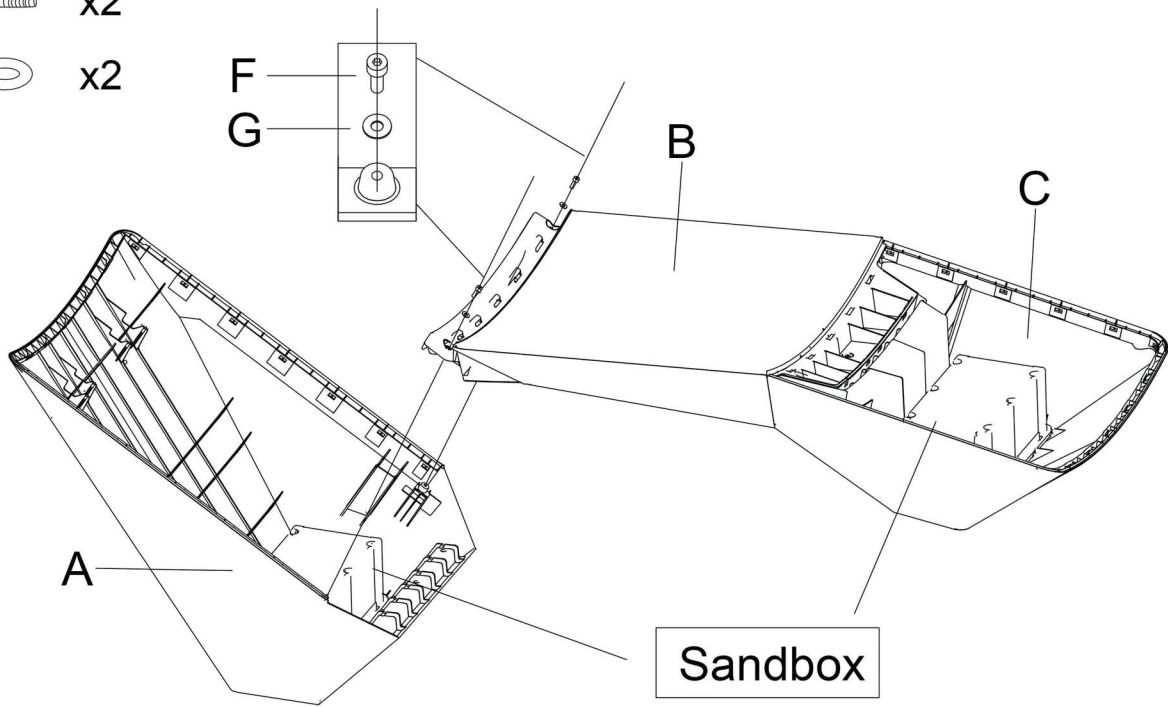


Installation Steps

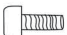
Step 3

F  x2

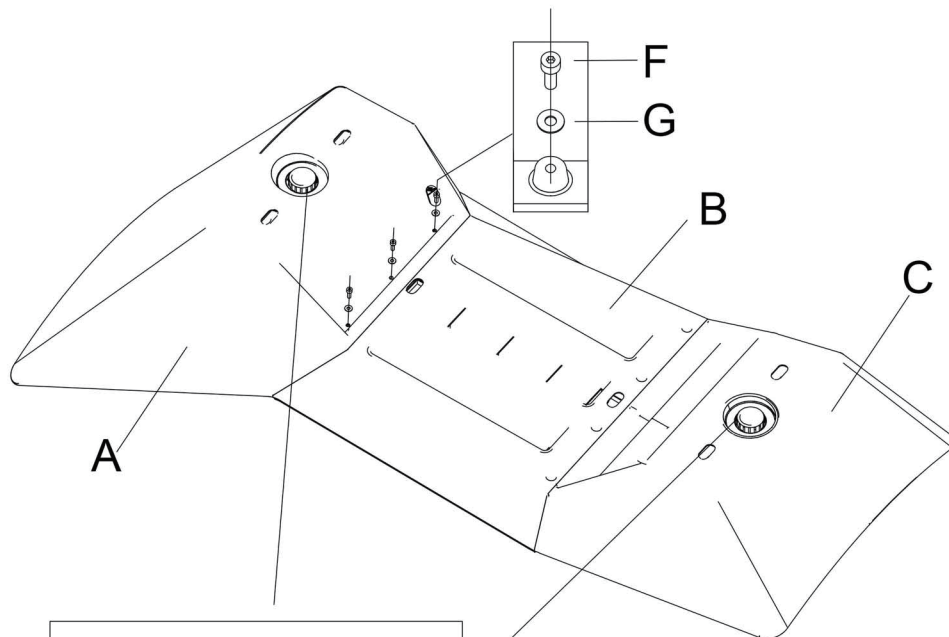
G  x2



Step 4

F  x3

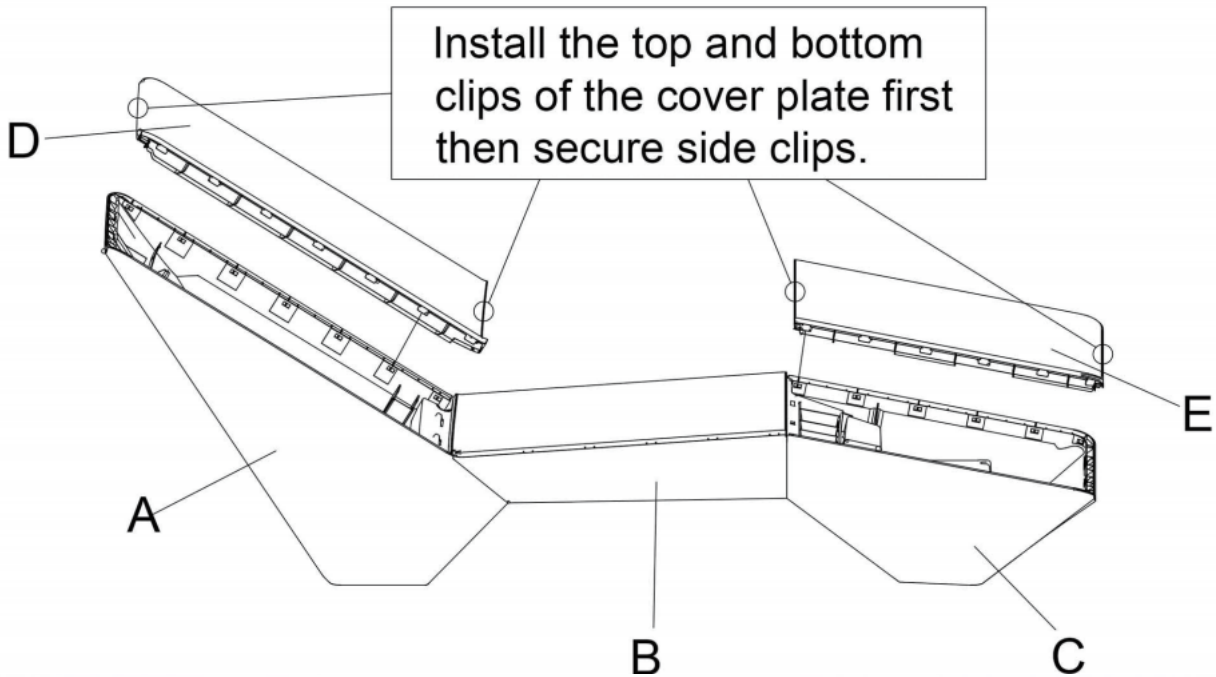
G  x3



Open the lids fill
the sandbox with
sand.

Installation Steps

Step 5



TO ENSURE THE BEST USER EXPERIENCE, WE RECOMMEND PLACING POOL LOUNGERS IN WATER DEPTHS OF 8"-12".

DURING TYPHOONS OF CATEGORY 5 OR HIGHER, WE ADVISE MOVING POOL LOUNGERS OUT OF THE POOL TO PREVENT THEM FROM BEING BLOWN INTO DEEPER WATER AREAS.

BEFORE ASSEMBLING THE POOL CHAIR, PLEASE INSPECT ALL PARTS TO ENSURE THEY ARE INTACT. IF YOU FIND ANY DAMAGE, CONTACT US IMMEDIATELY.