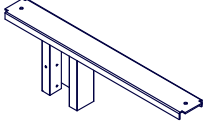


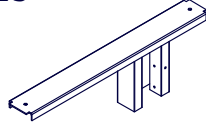
**W314** x 1

FW0314



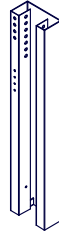
**W315** x 1

FW0315



**W316** x 1

FW0316



**W317** x 1

FW0317



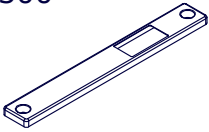
**W318** x 2

FW0318



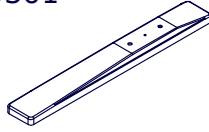
**W300** x 2

FW0300



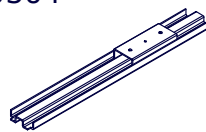
**W301** x 2

FW0301



**W304** x 2

FW0304

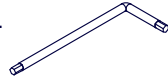


**H122** x 4



FH0122

**H176** x 1



FH0176

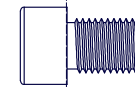
**P41** x 4



FP0041

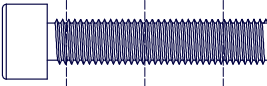
**V128** x 12

FV0128



**V129** x 4

FV0129



mm

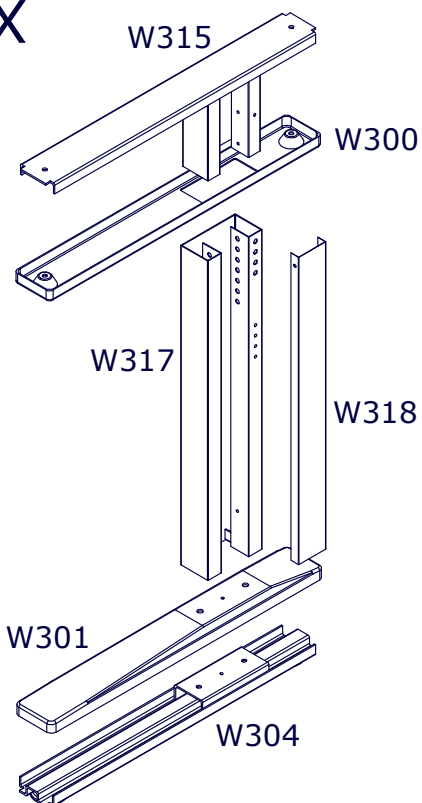
0

10

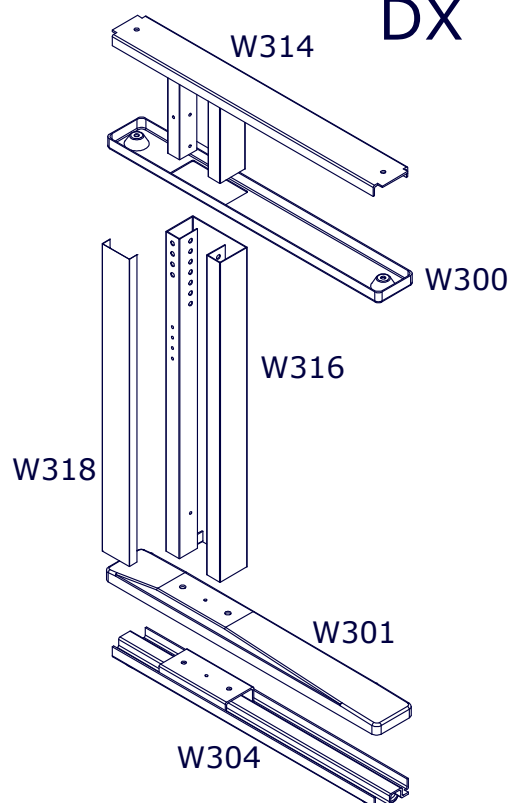
20

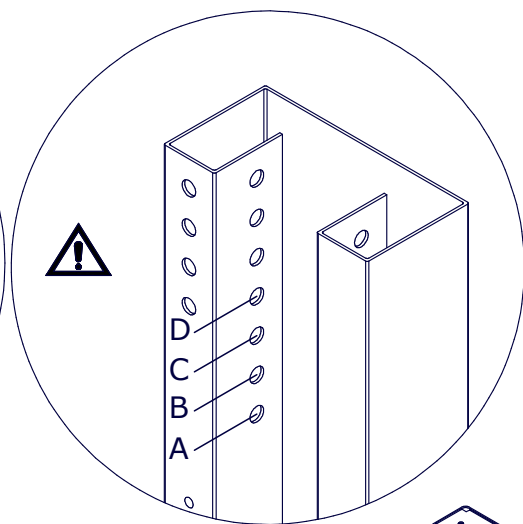
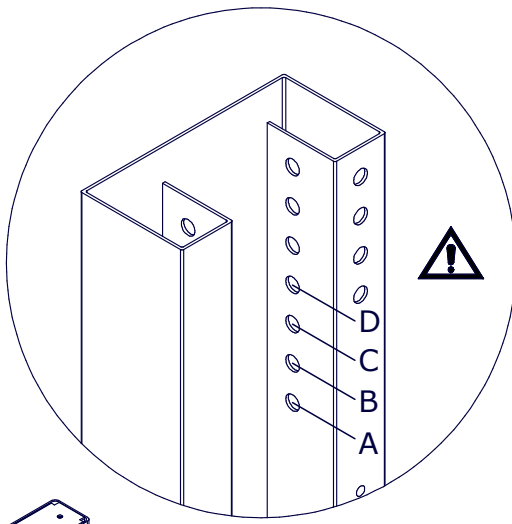
30

**SX**

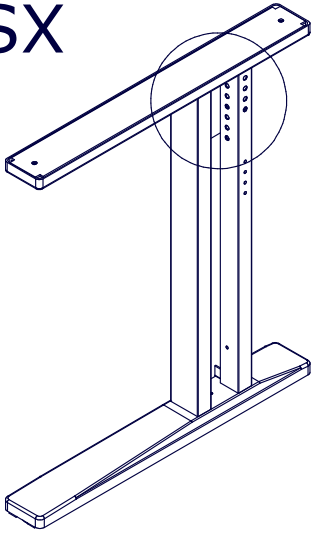


**DX**

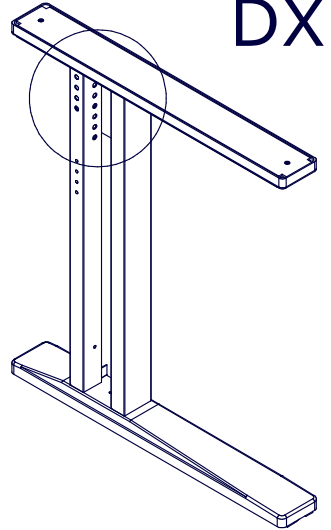




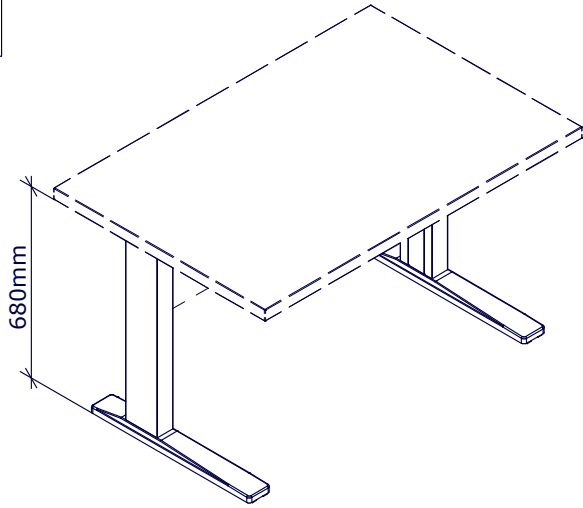
**SX**



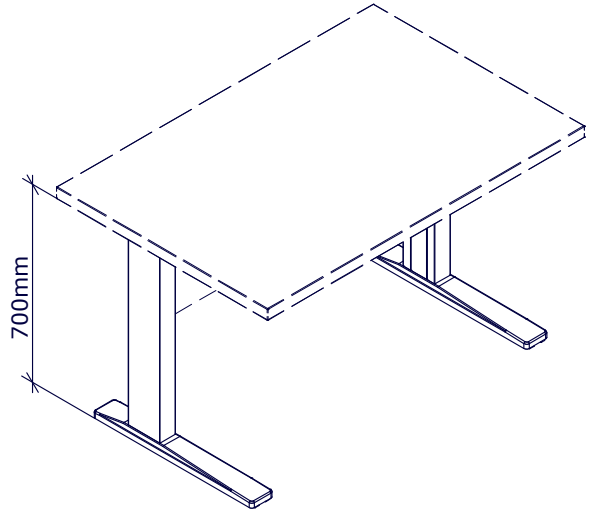
**DX**



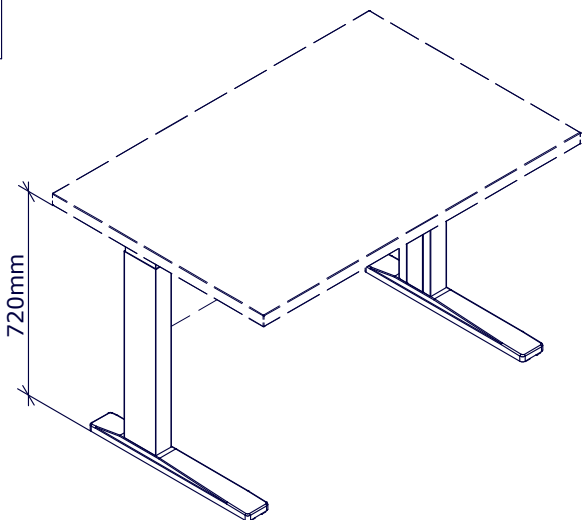
**A**



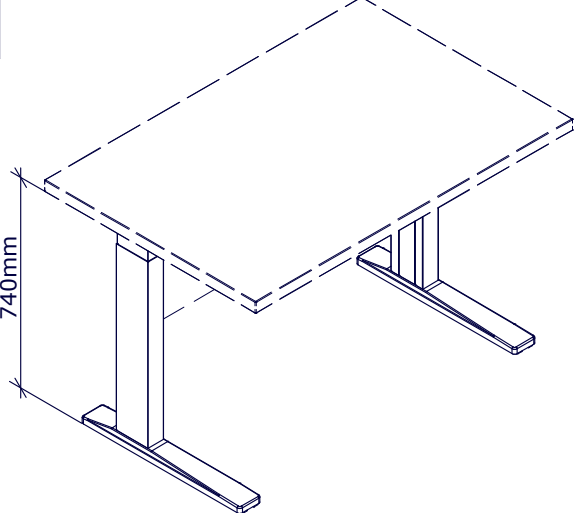
**B**



**C**

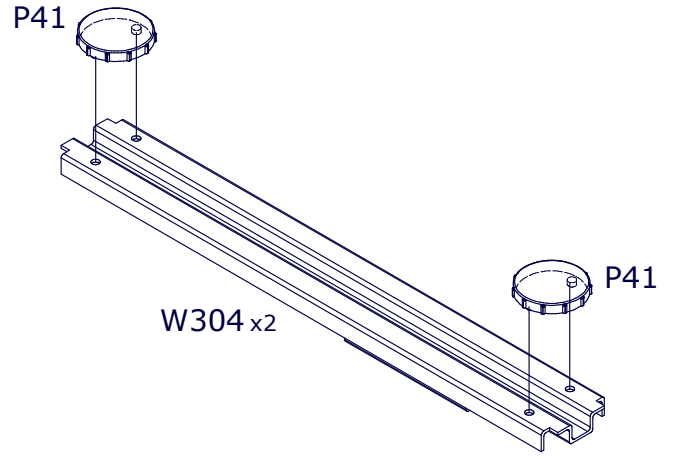
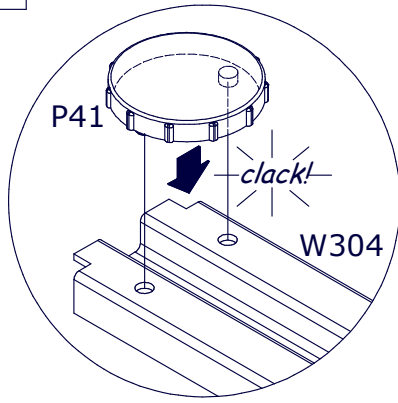


**D**

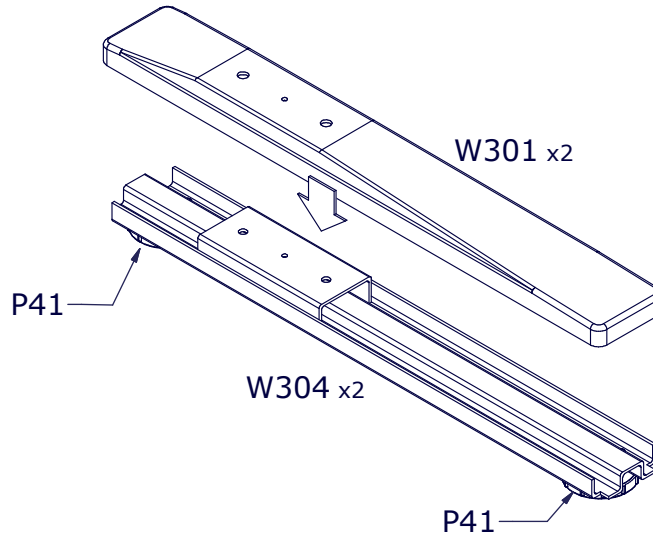


# 1

P41 x 4



# 2

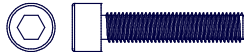


# 3

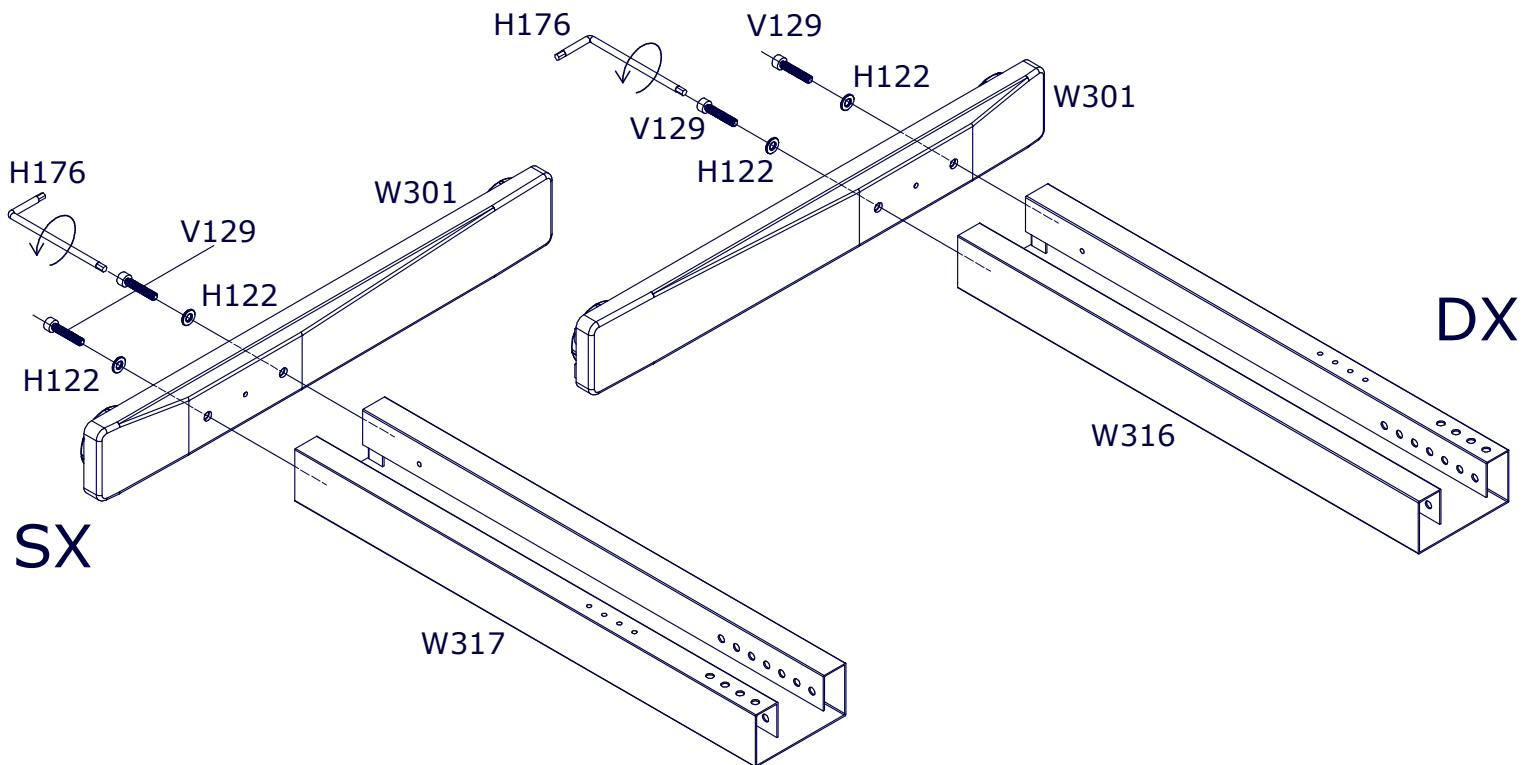
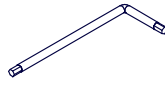
H122 x 4

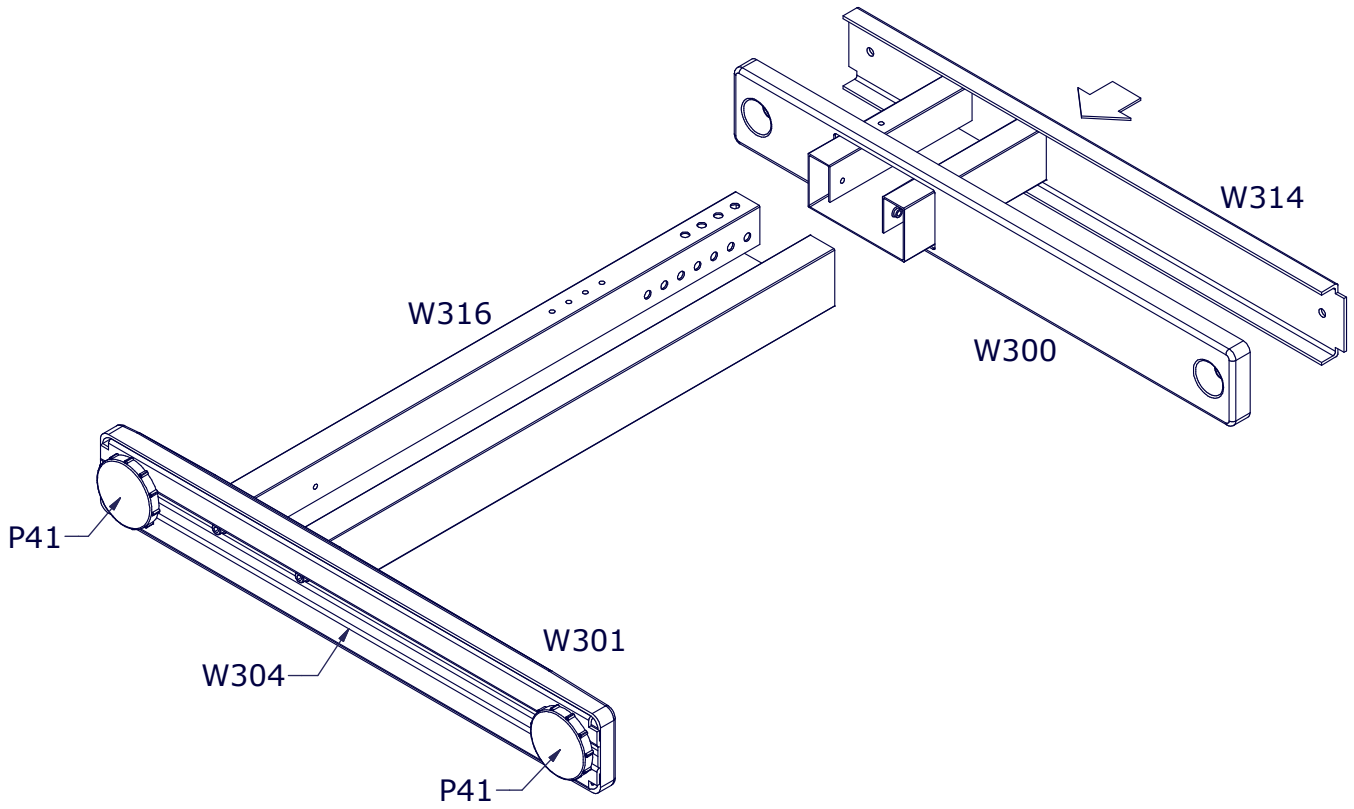


V129 x 4



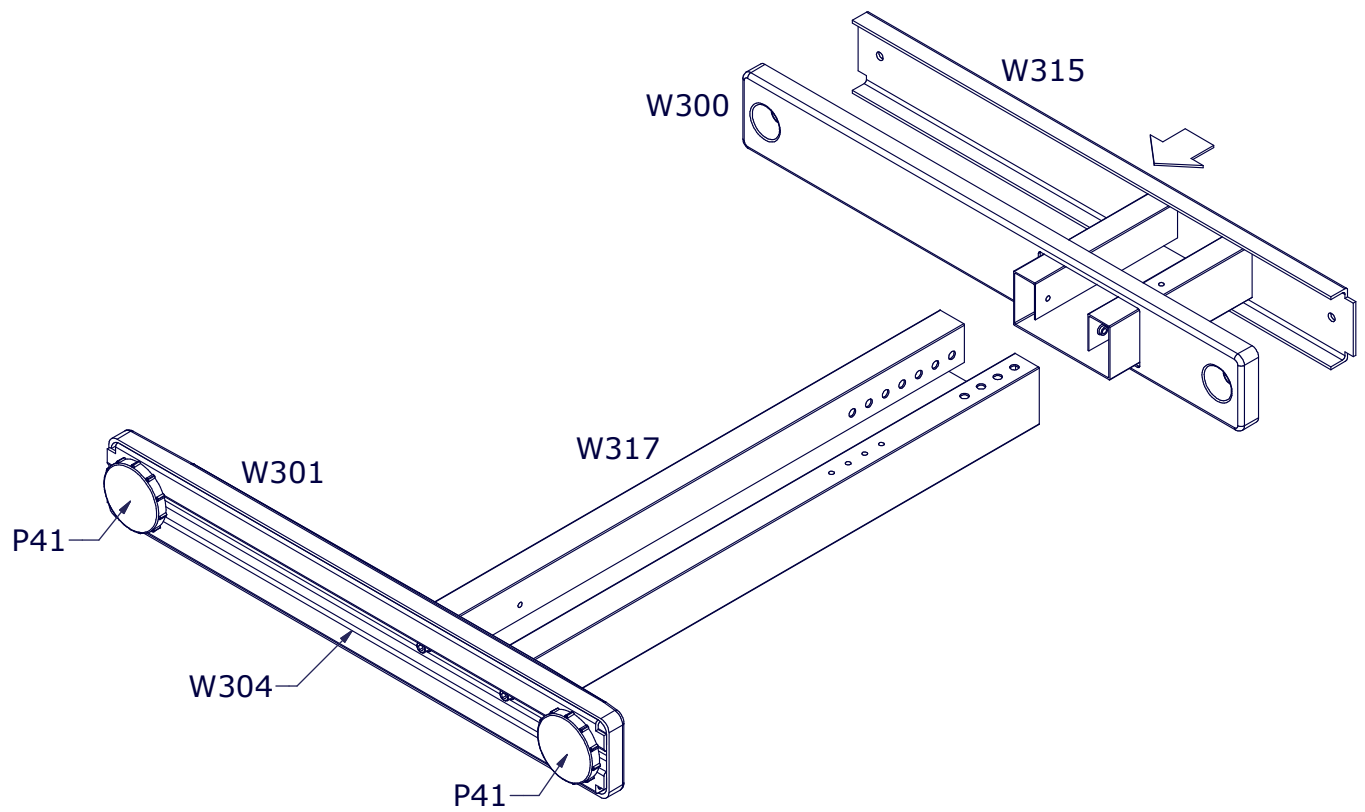
H176



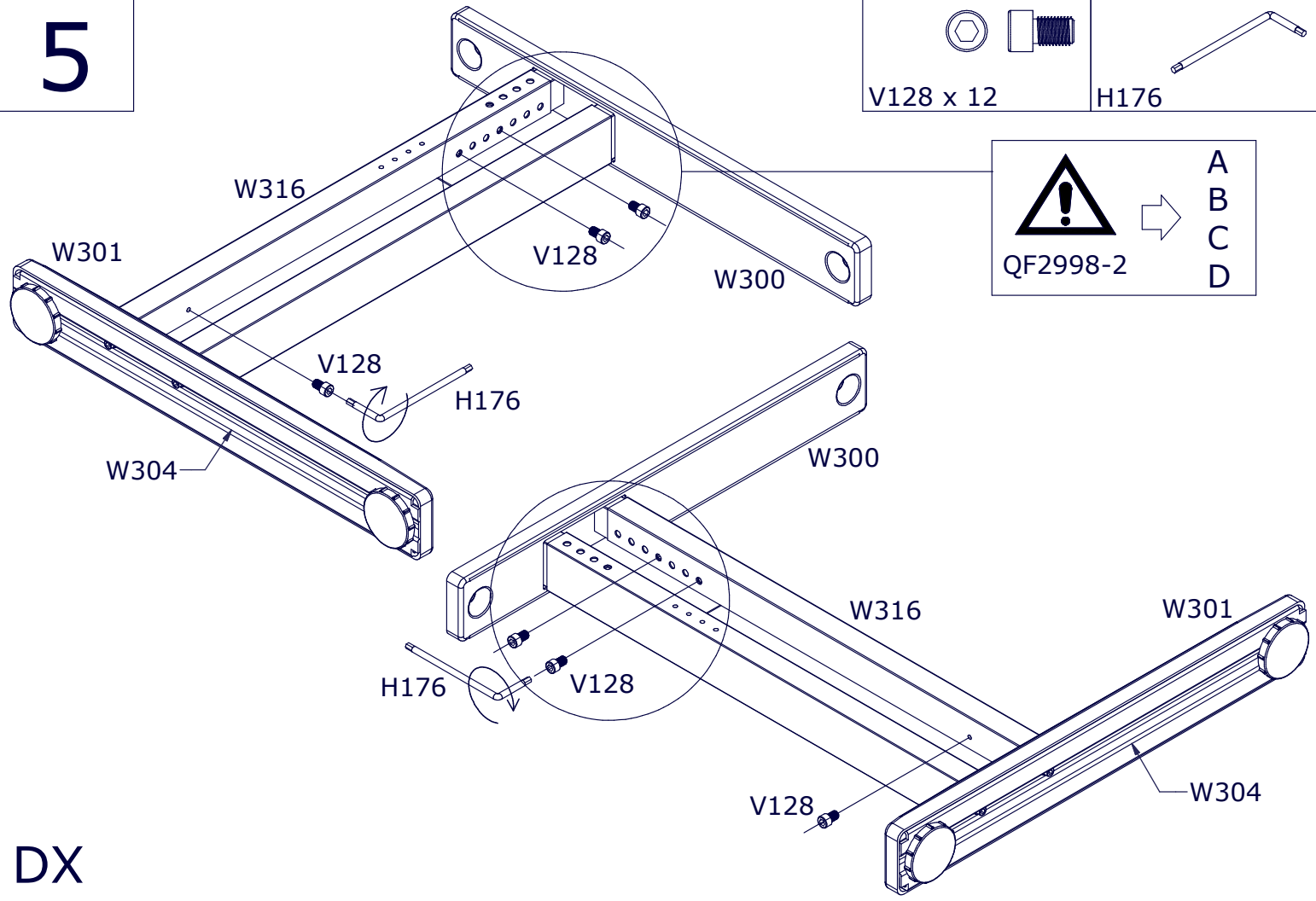
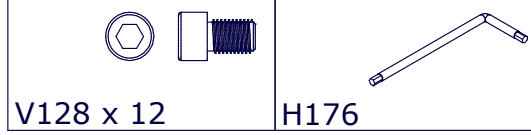


DX

SX

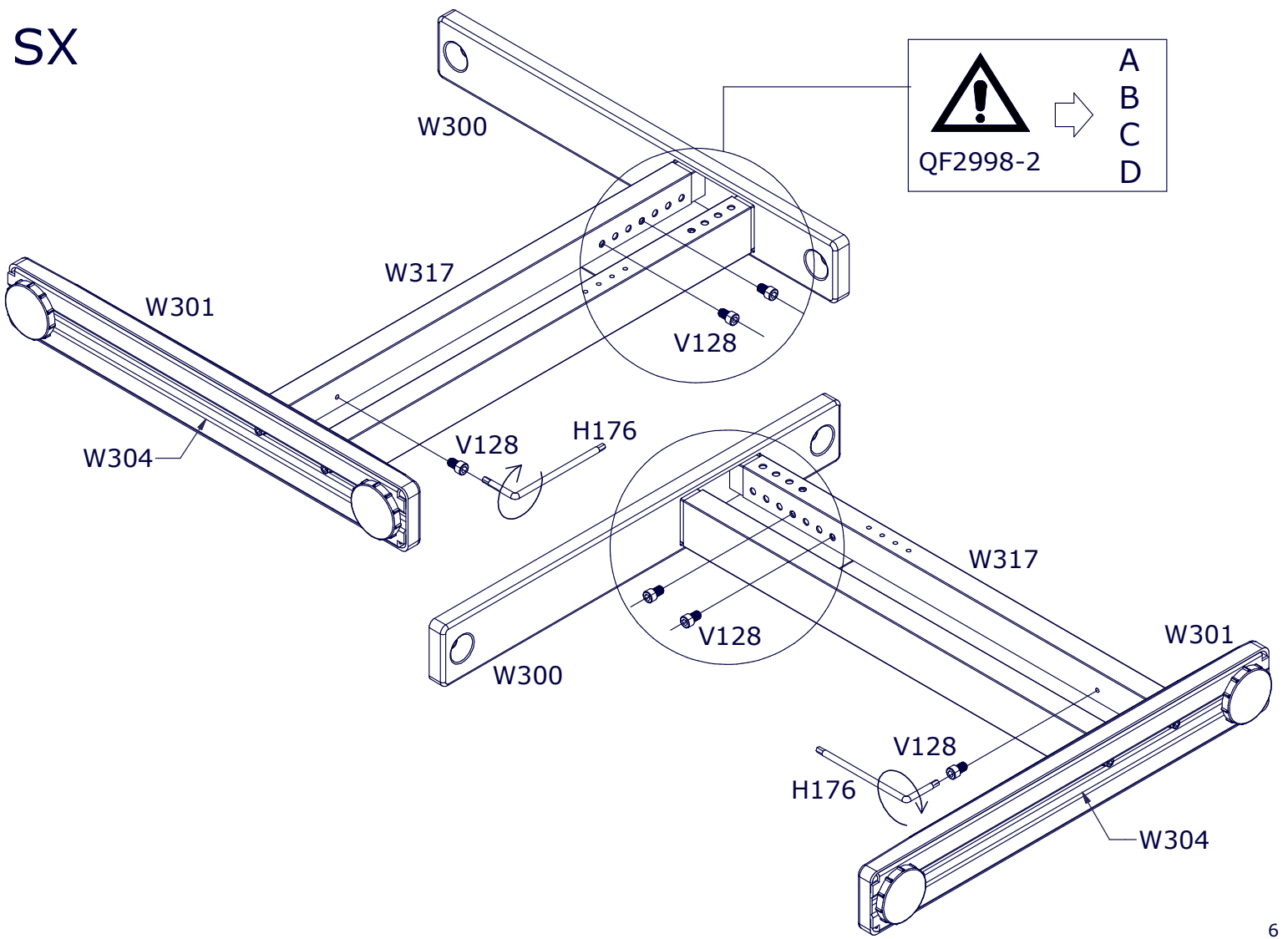


5

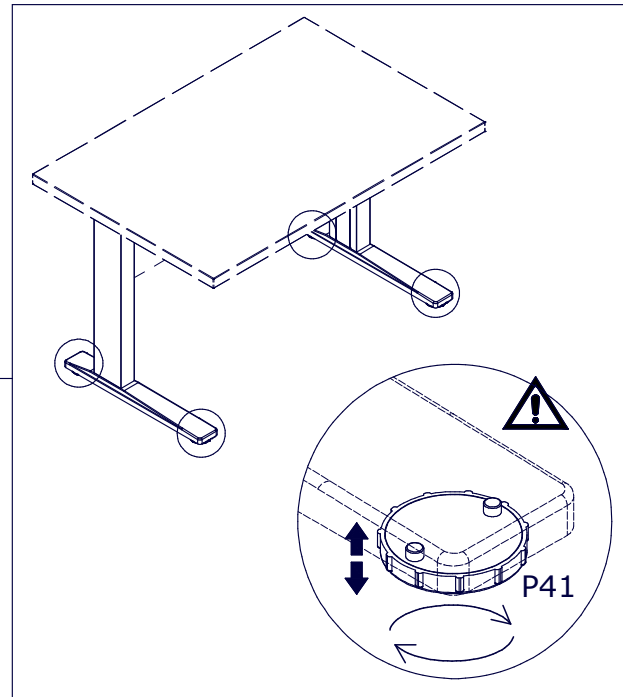
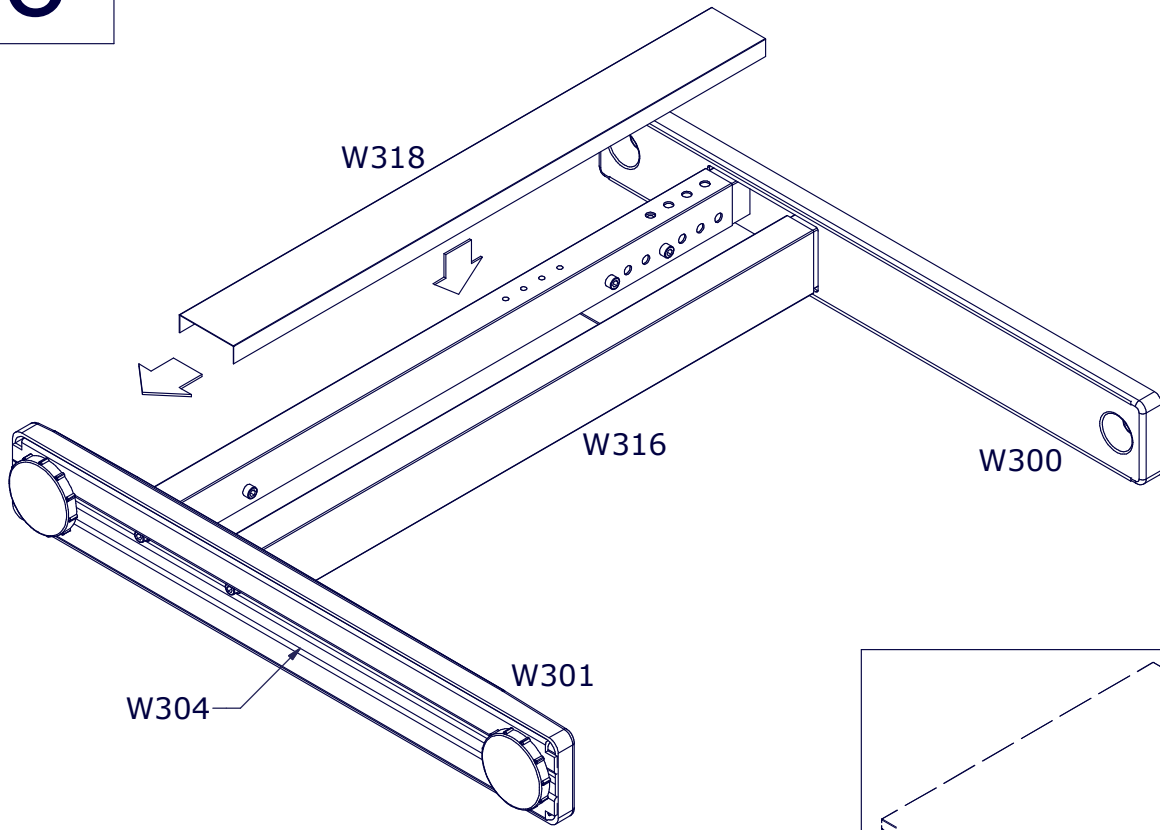


DX

SX



6



DX

SX

