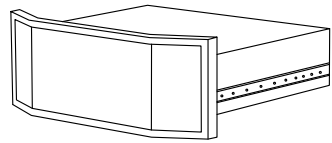
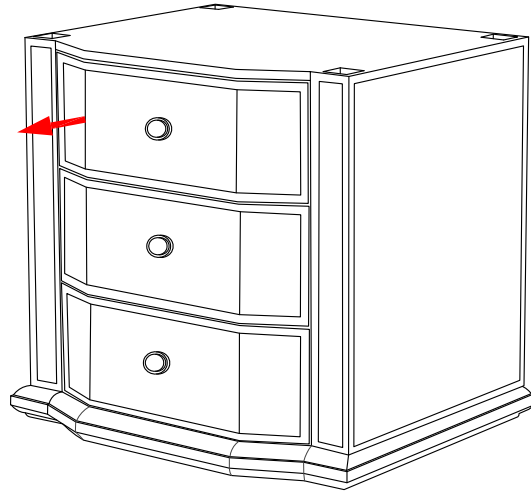


Installation

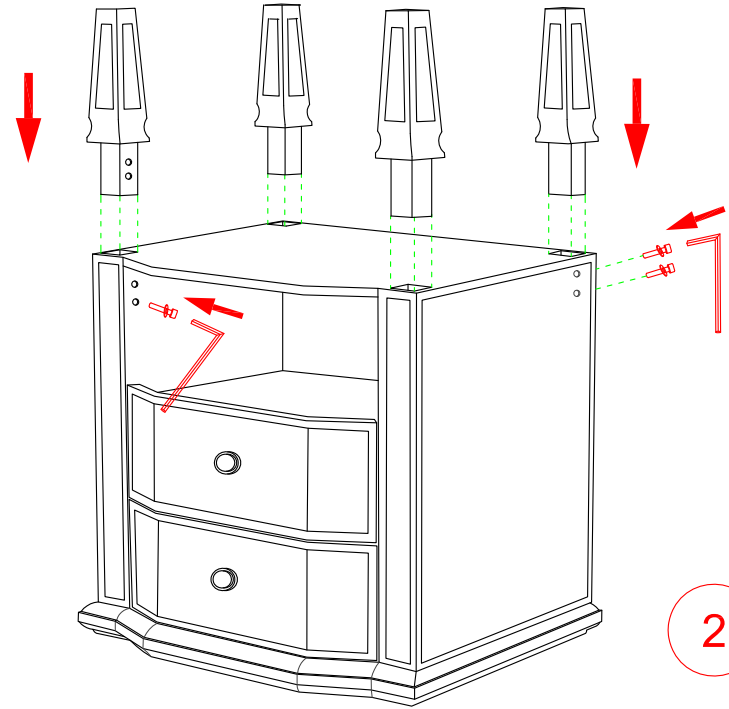
Instructions



open and remove



1



2



3

