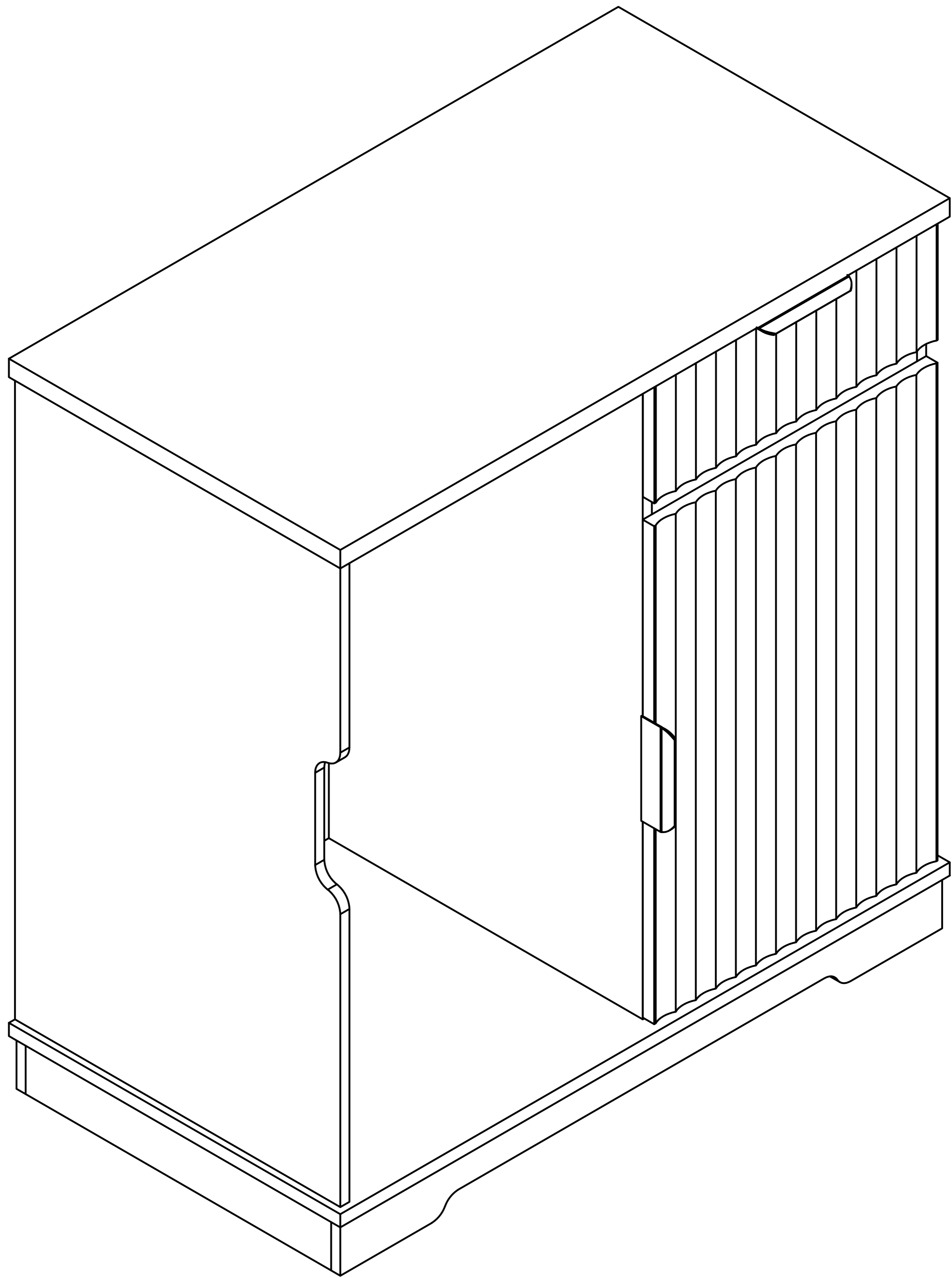
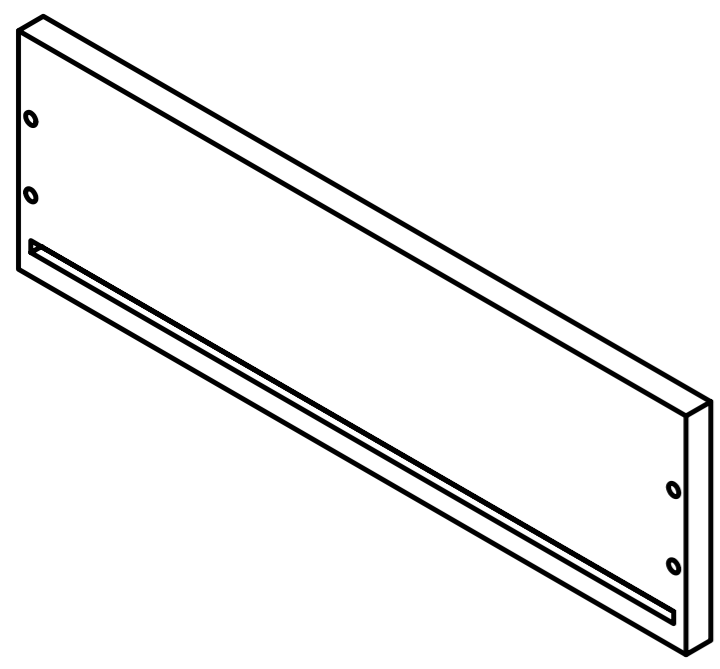
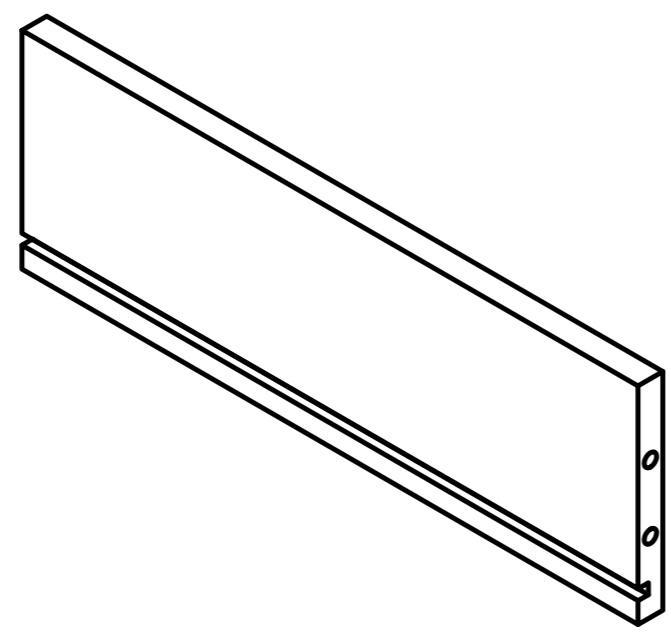


# Product Installation Instructions

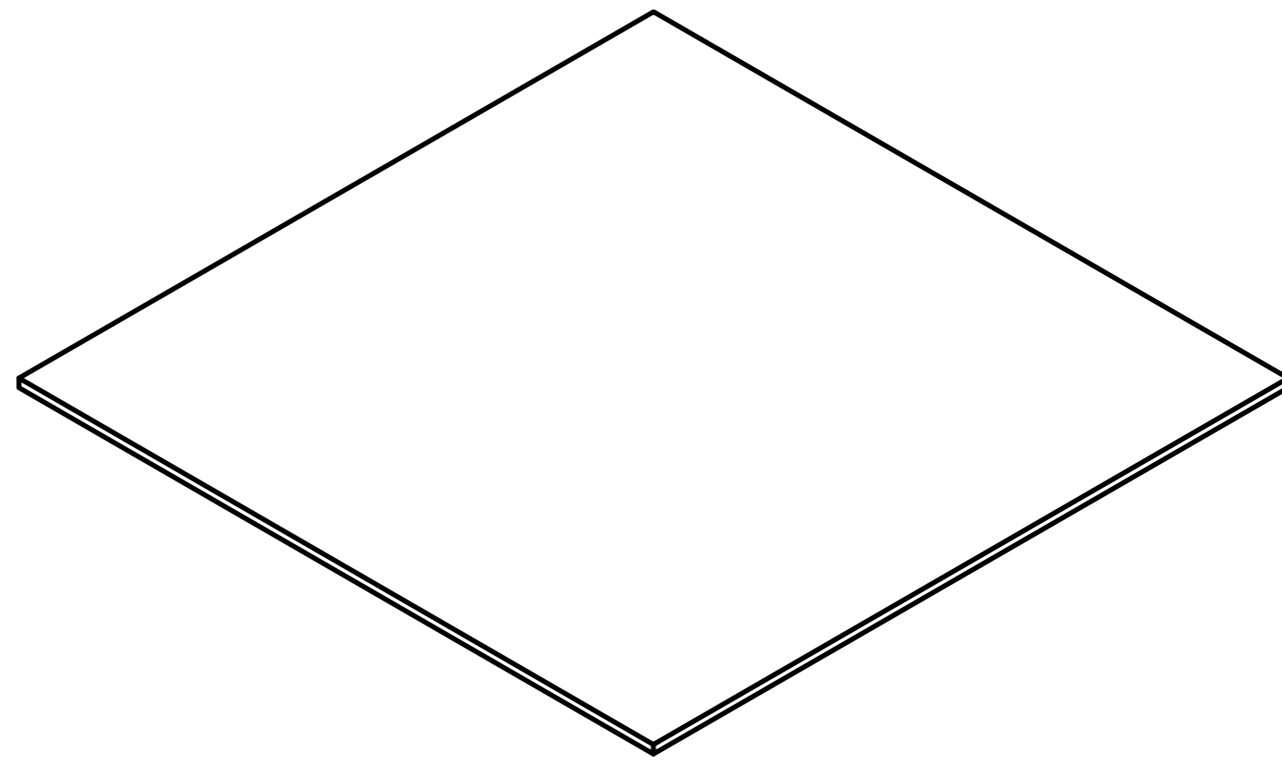




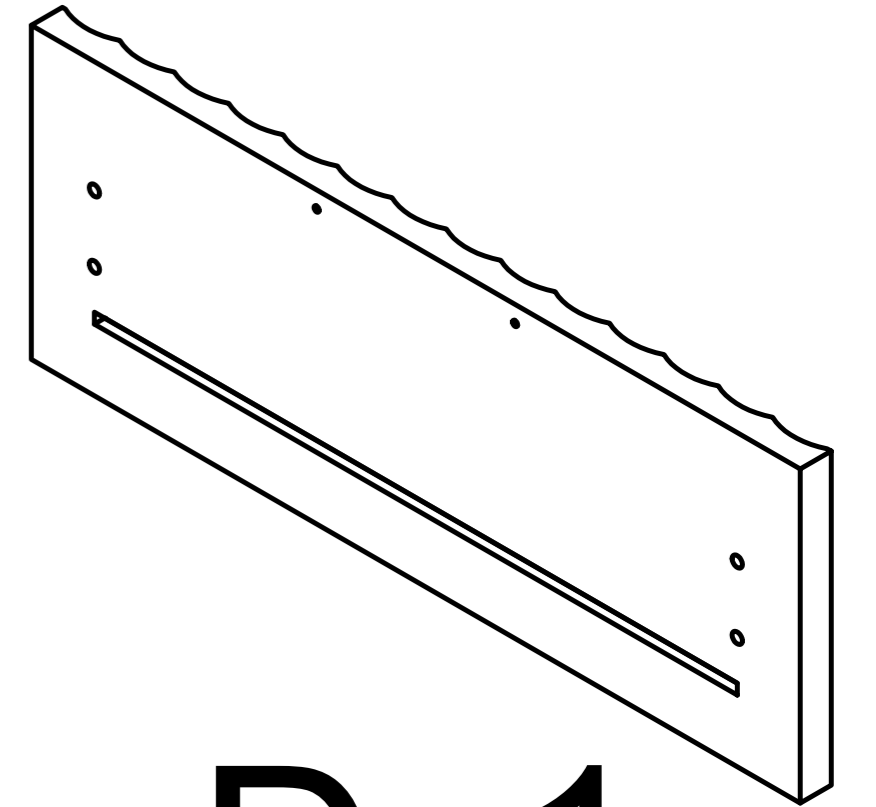
**Ax1**



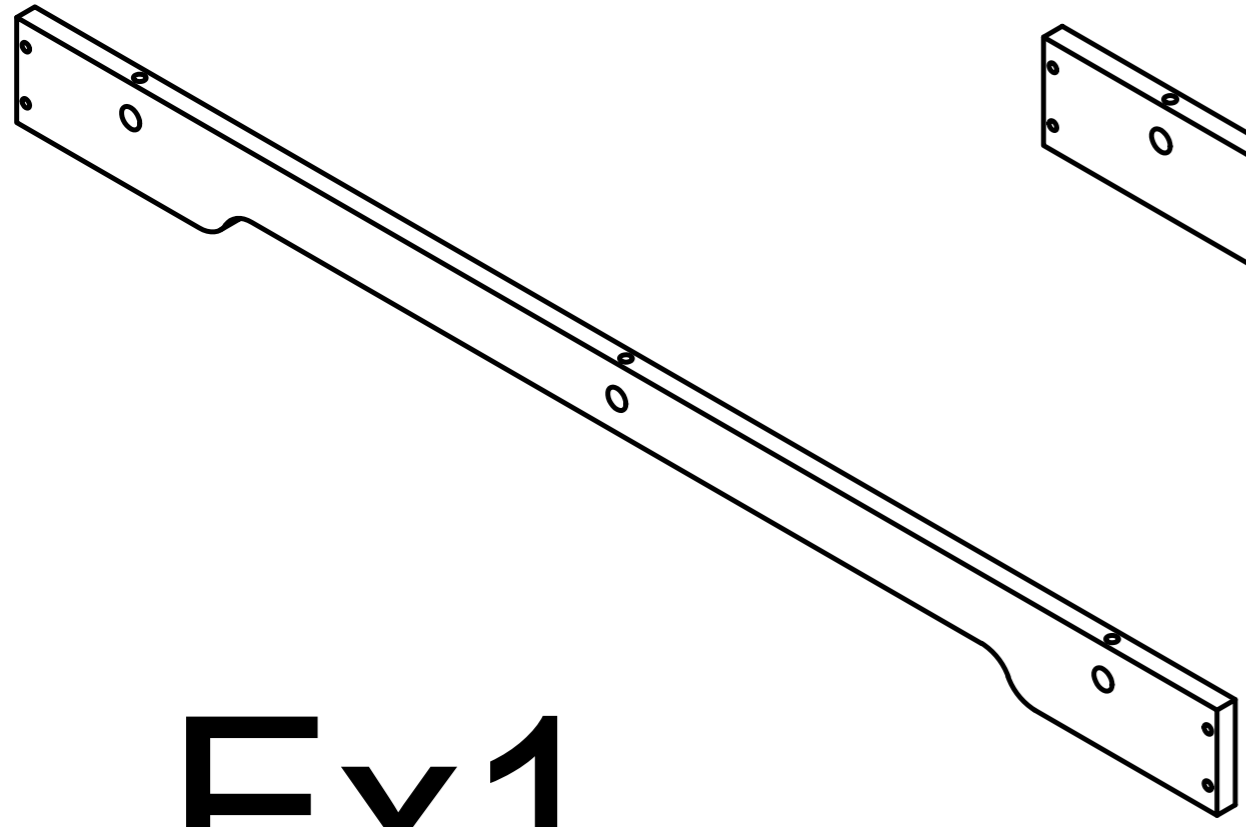
**Bx2**



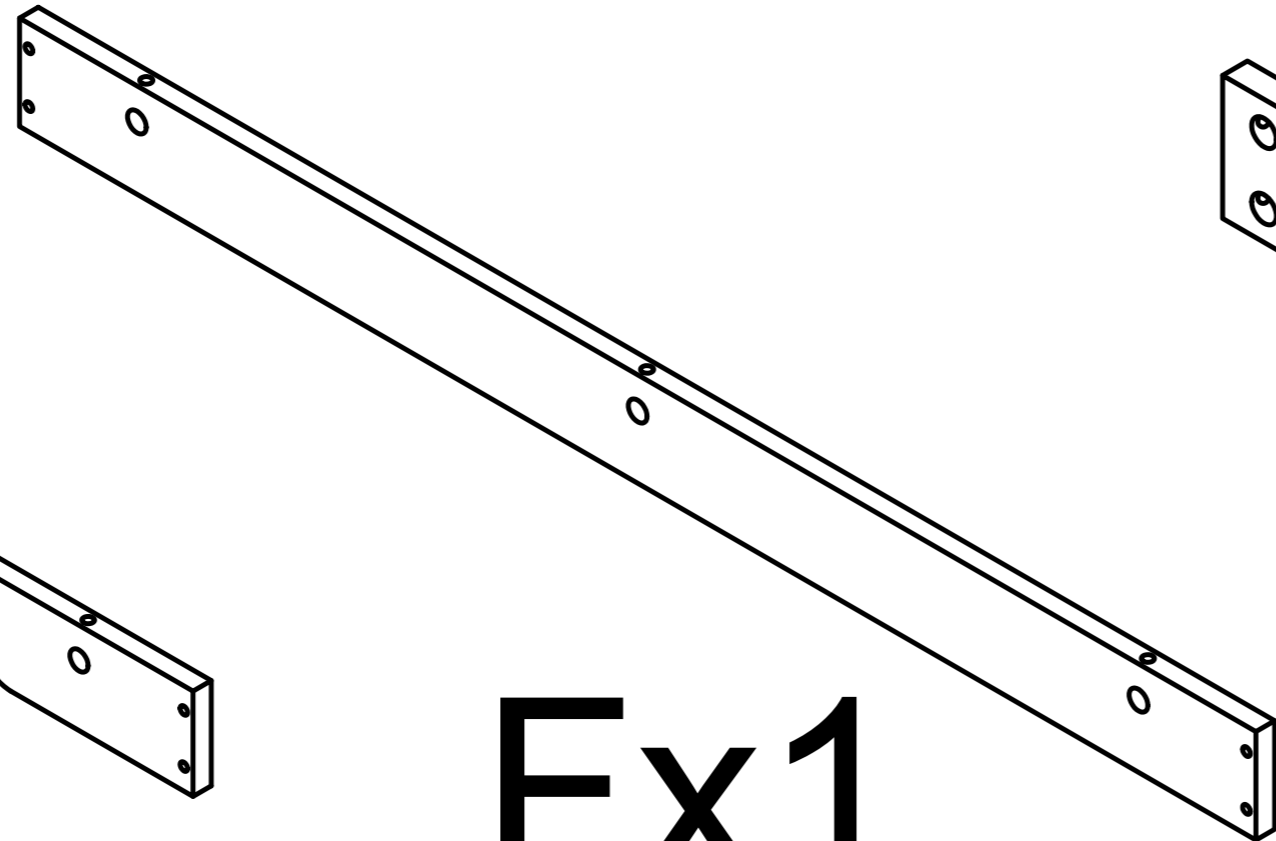
**Cx1**



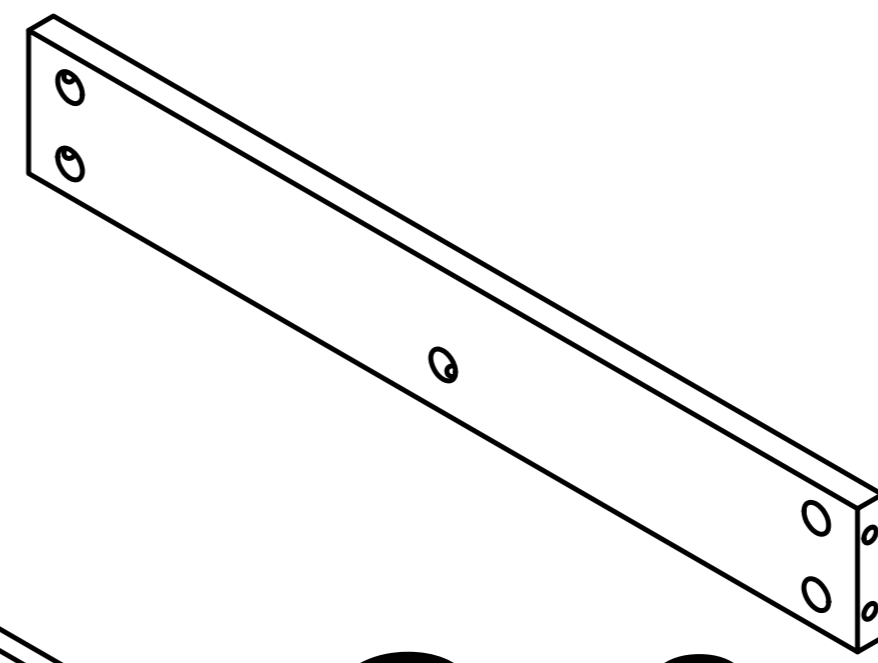
**Dx1**



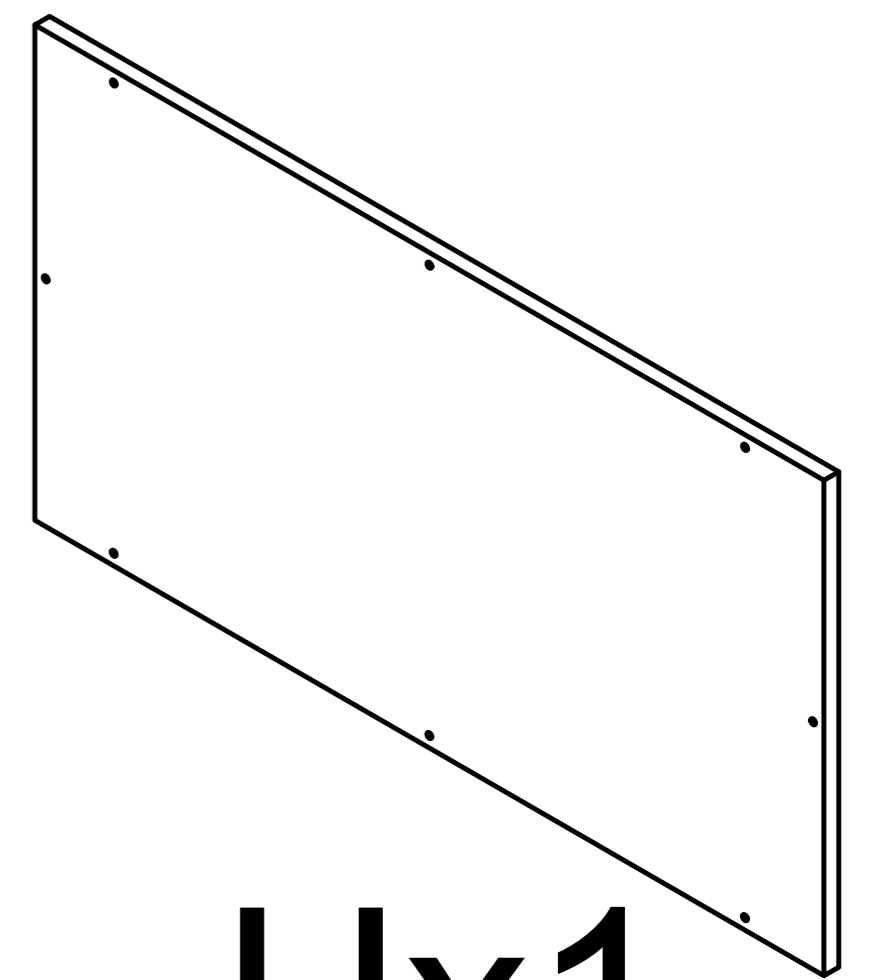
**Ex1**



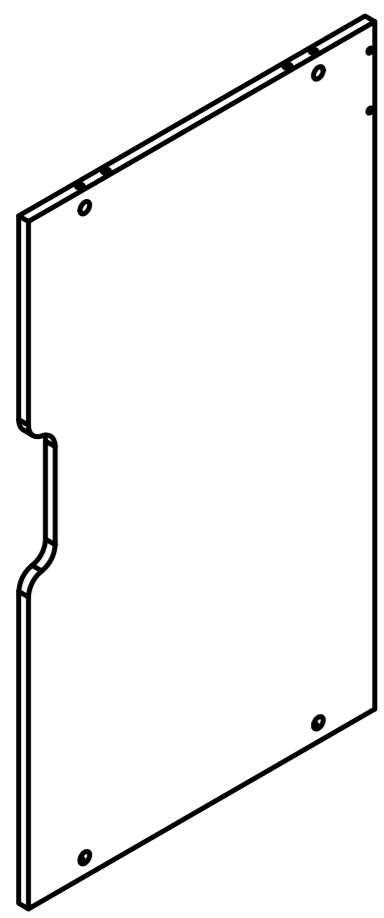
**Fx1**



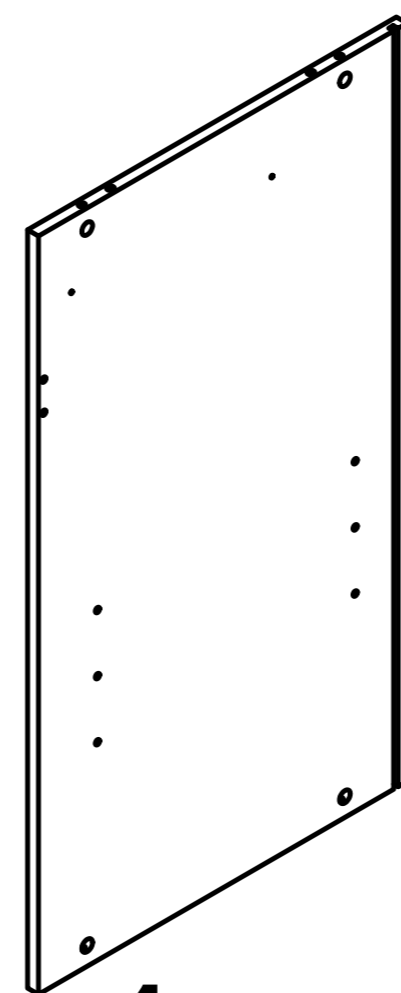
**Gx2**



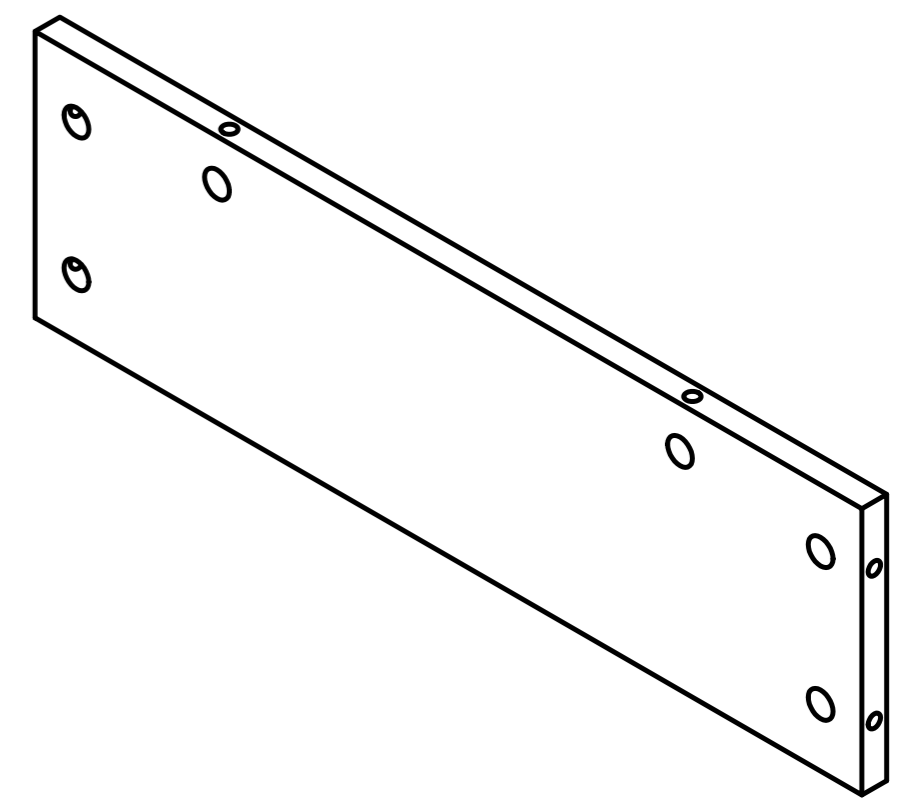
**Hx1**



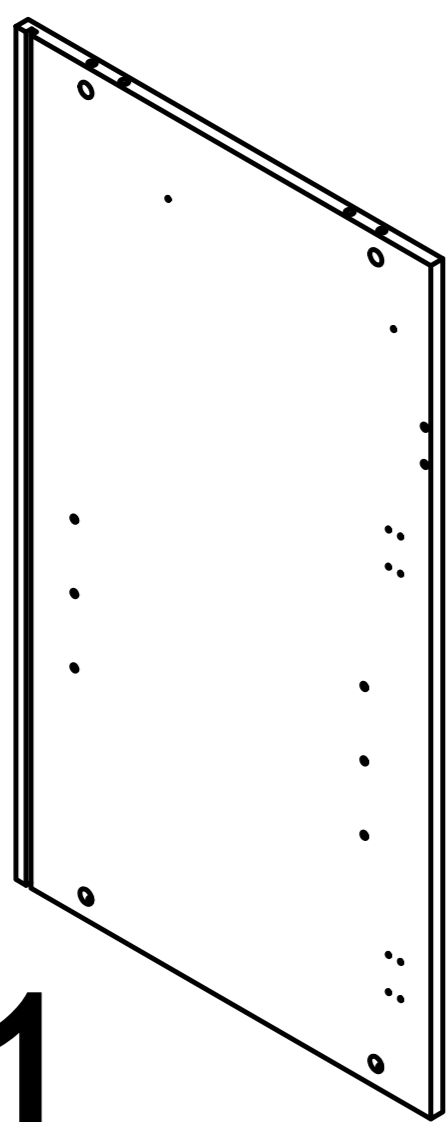
**Ix1**



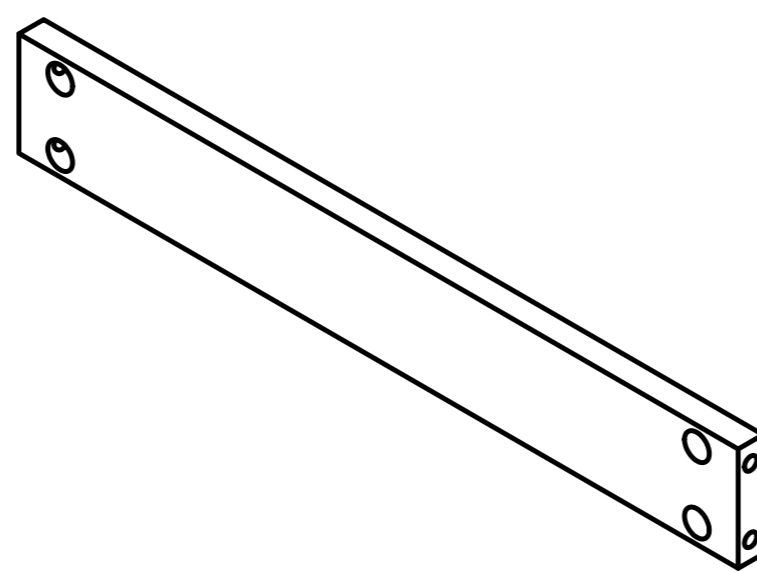
**Jx1**



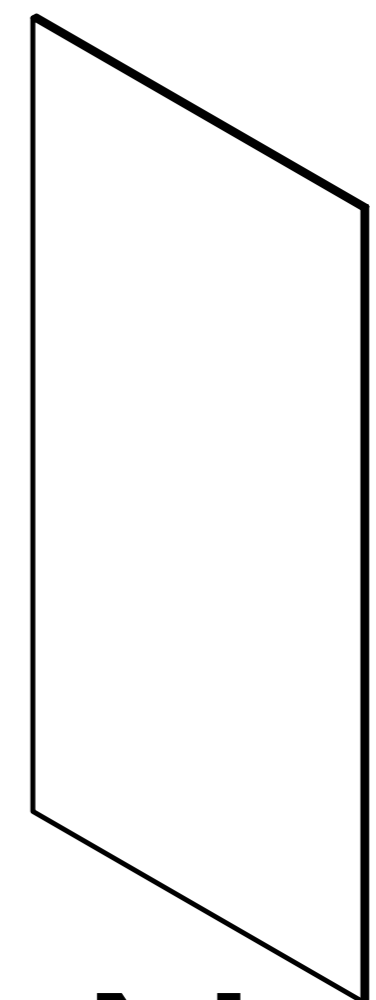
**Kx1**



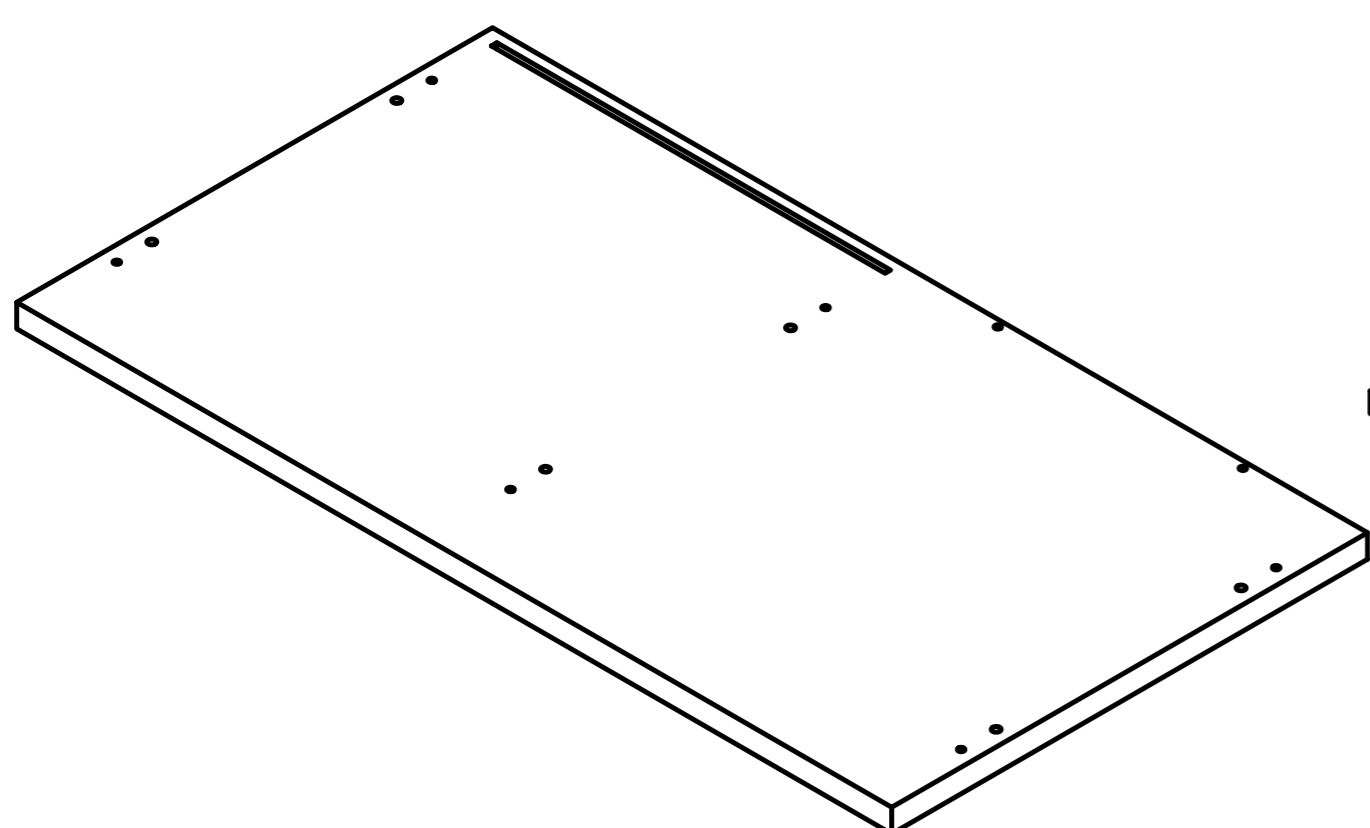
**Lx1**



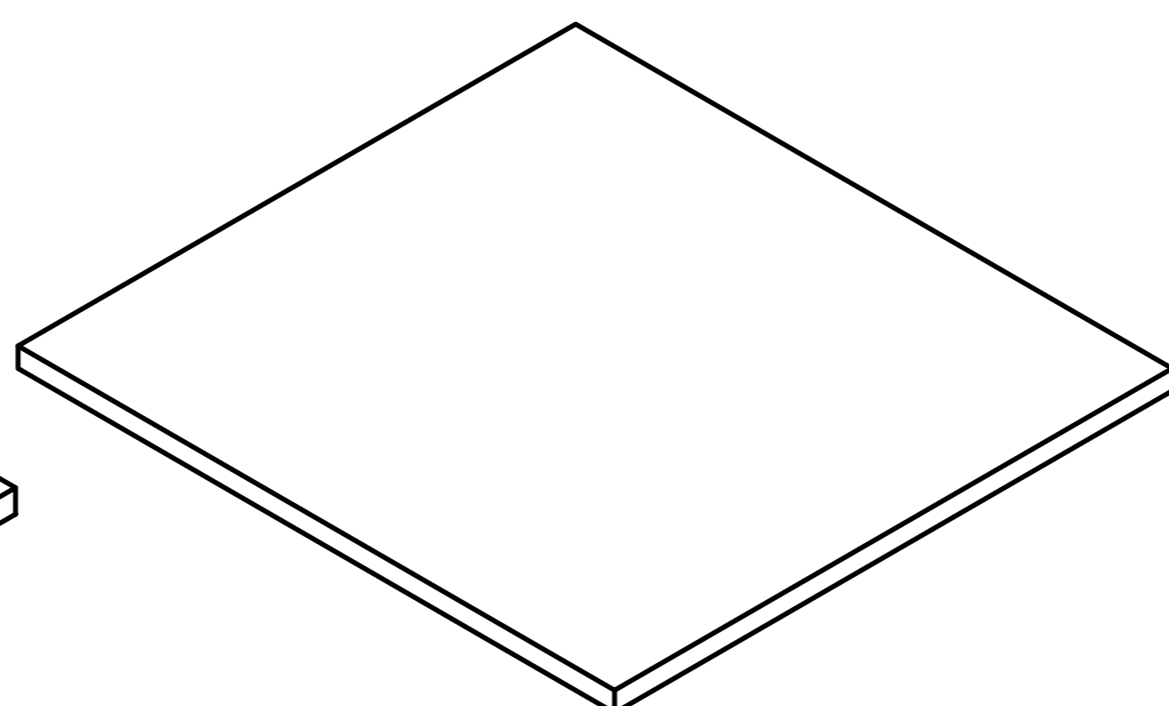
**Mx1**



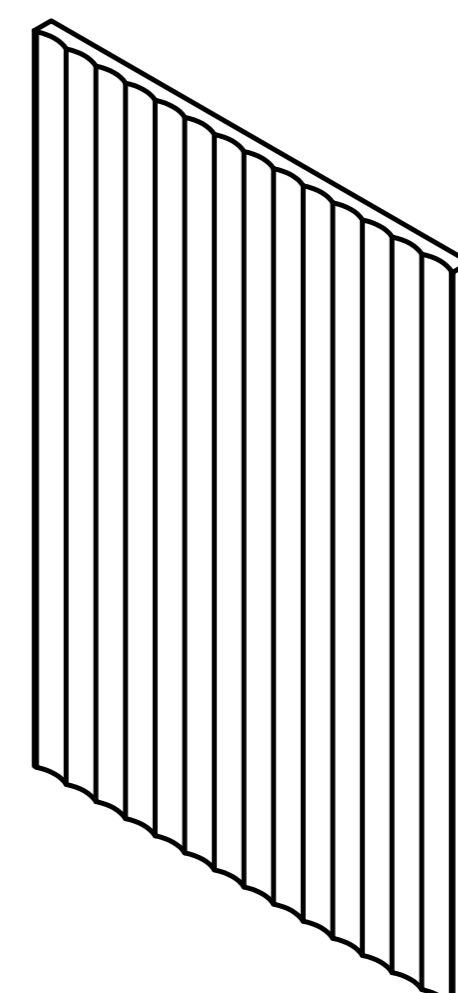
**Nx1**



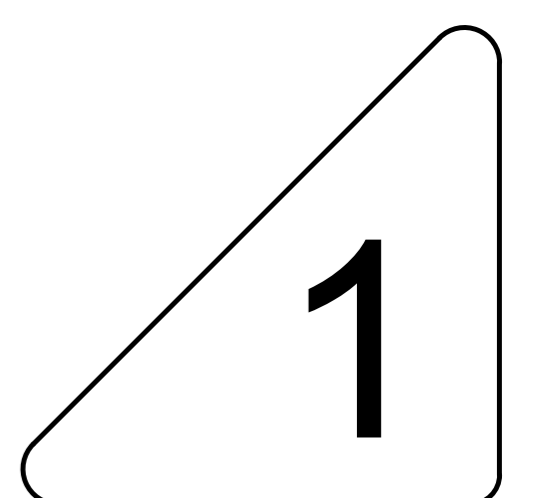
**Ox1**



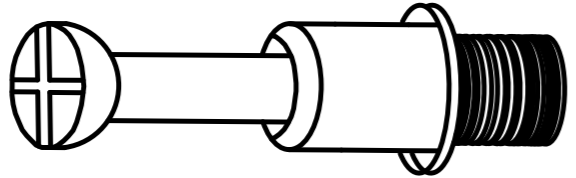
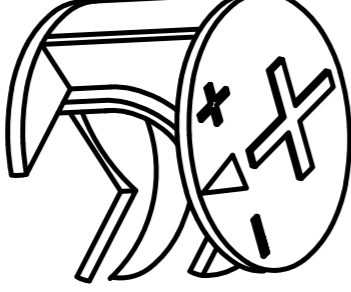
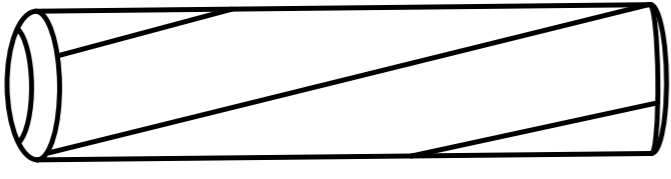
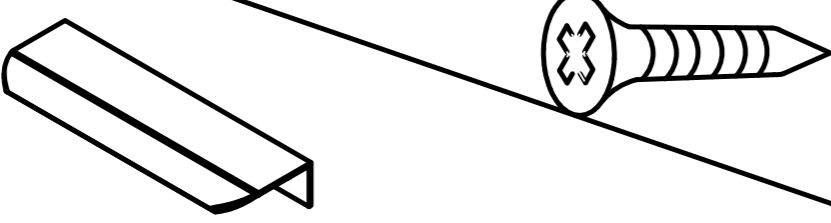
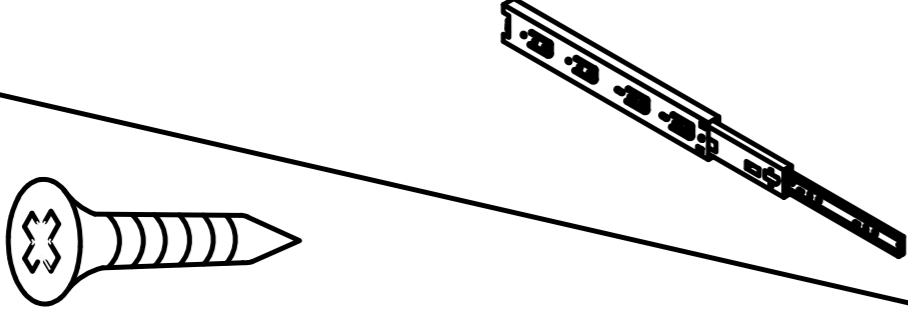

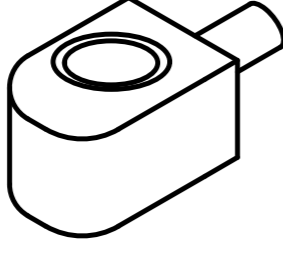
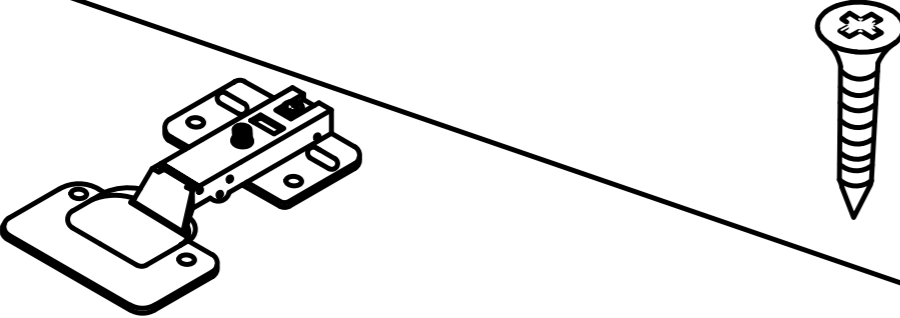
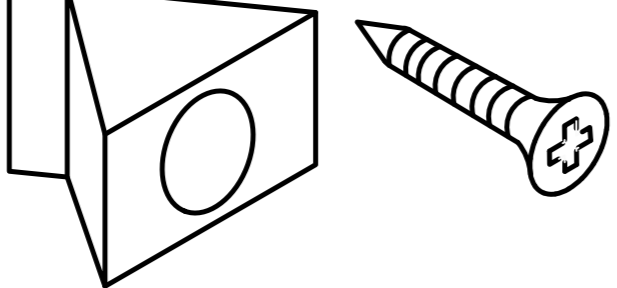
**Px1**

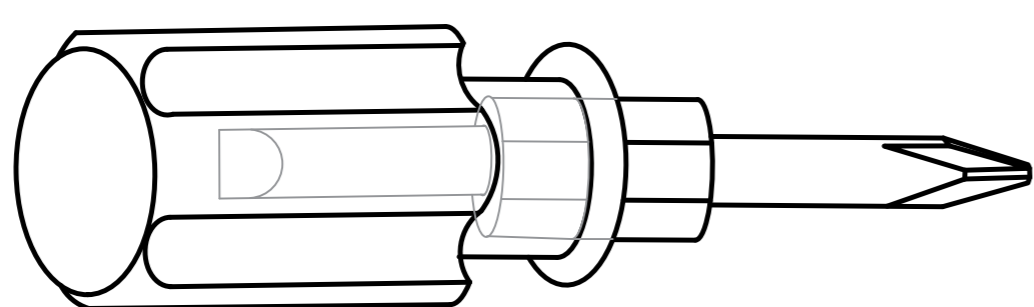


**Qx1**

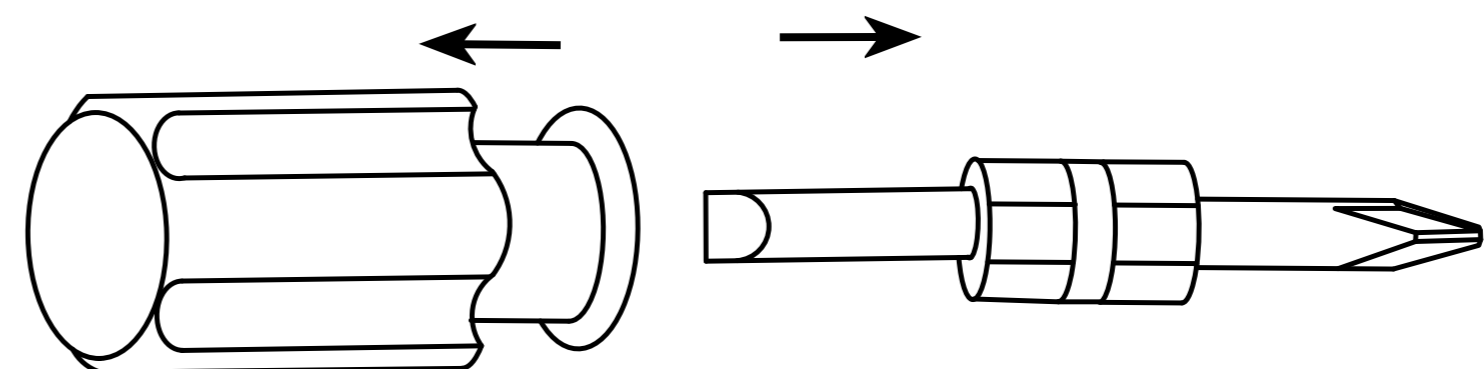


1

①		Two In One Screw (6x28mm)	46pcs +4pcs
②		Two In One Nut (10x12mm)	46pcs +4pcs
③		Wood Chipping (6x30mm)	12pcs +2pcs
④		Handle & Screw (3.5x10mm)	4pcs +1pcs 2pcs
⑤		Screw & Guide (29cm) (3x12mm)	2pcs 10pcs +2pcs
⑥		Non-slip pads (50x10x2mm)	5pcs +1pcs
⑦		Laminate support nail	4pcs +1pcs
⑧		Hinge & Screw (3.5x12mm)	12pcs +2pcs 2pcs
⑨		Fixing Clip & Screw (3x16mm)	6pcs +2pcs

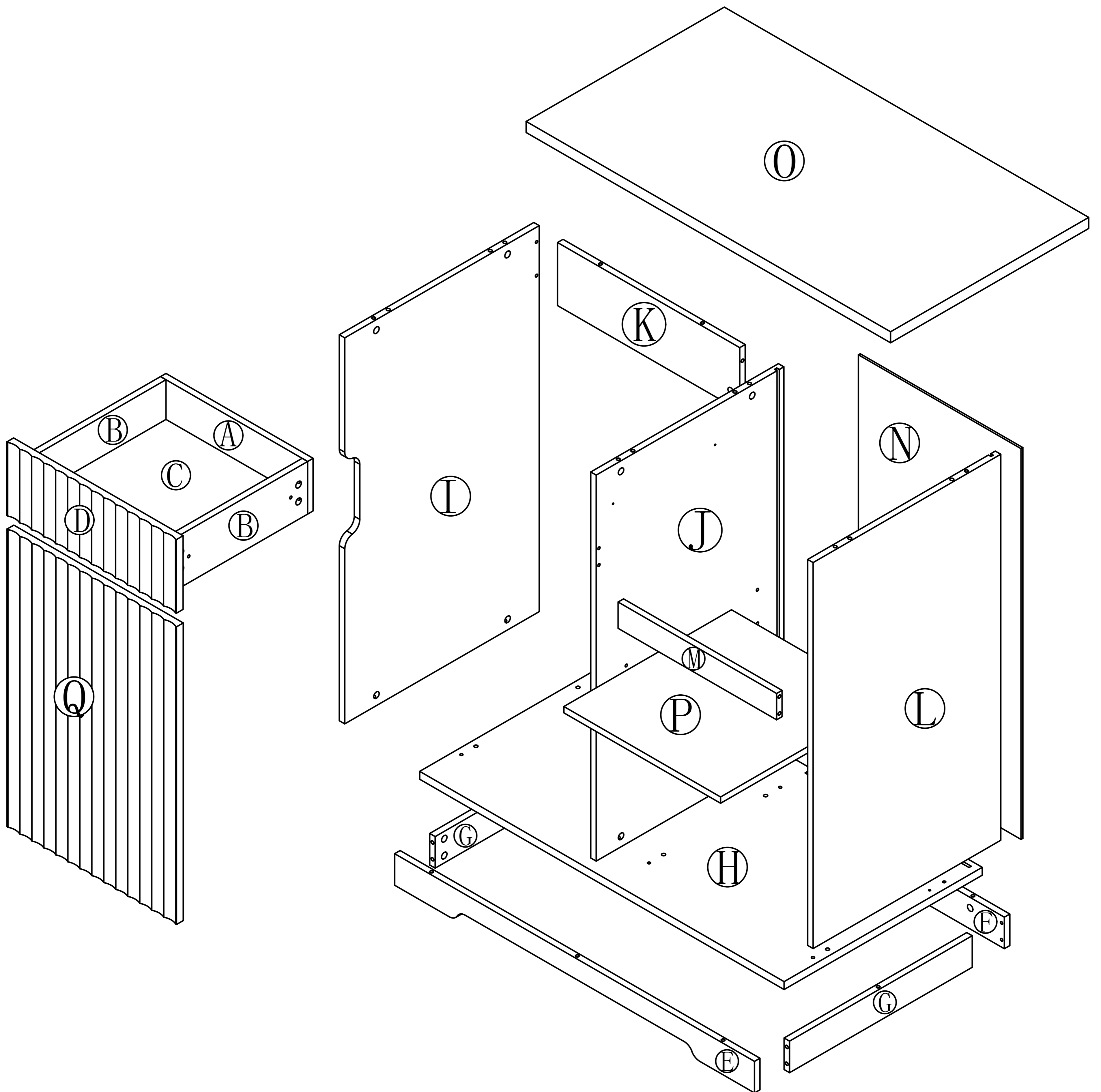


1 pcs



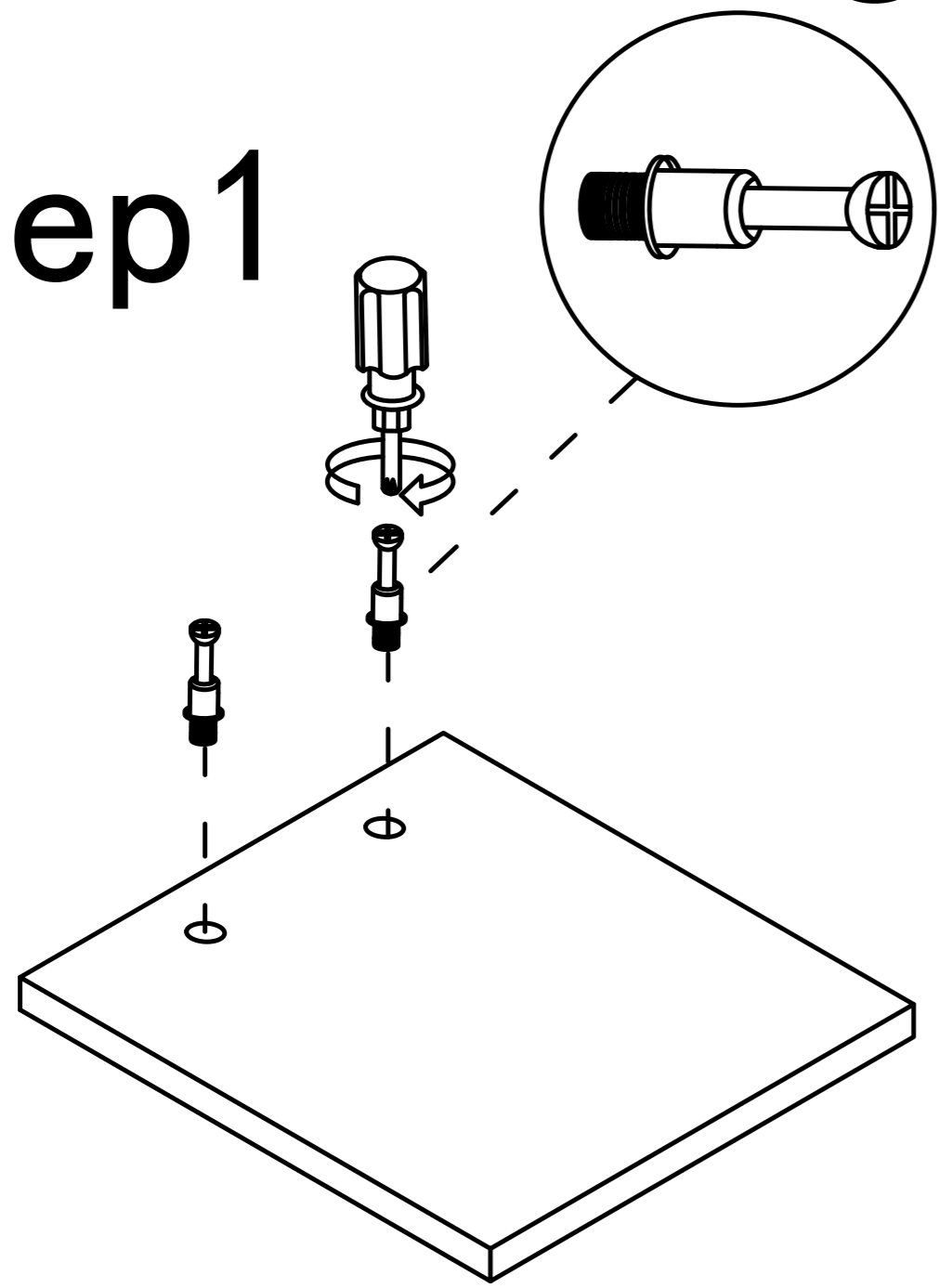
Double-head screwdriver, use as required

# Product structure decomposition

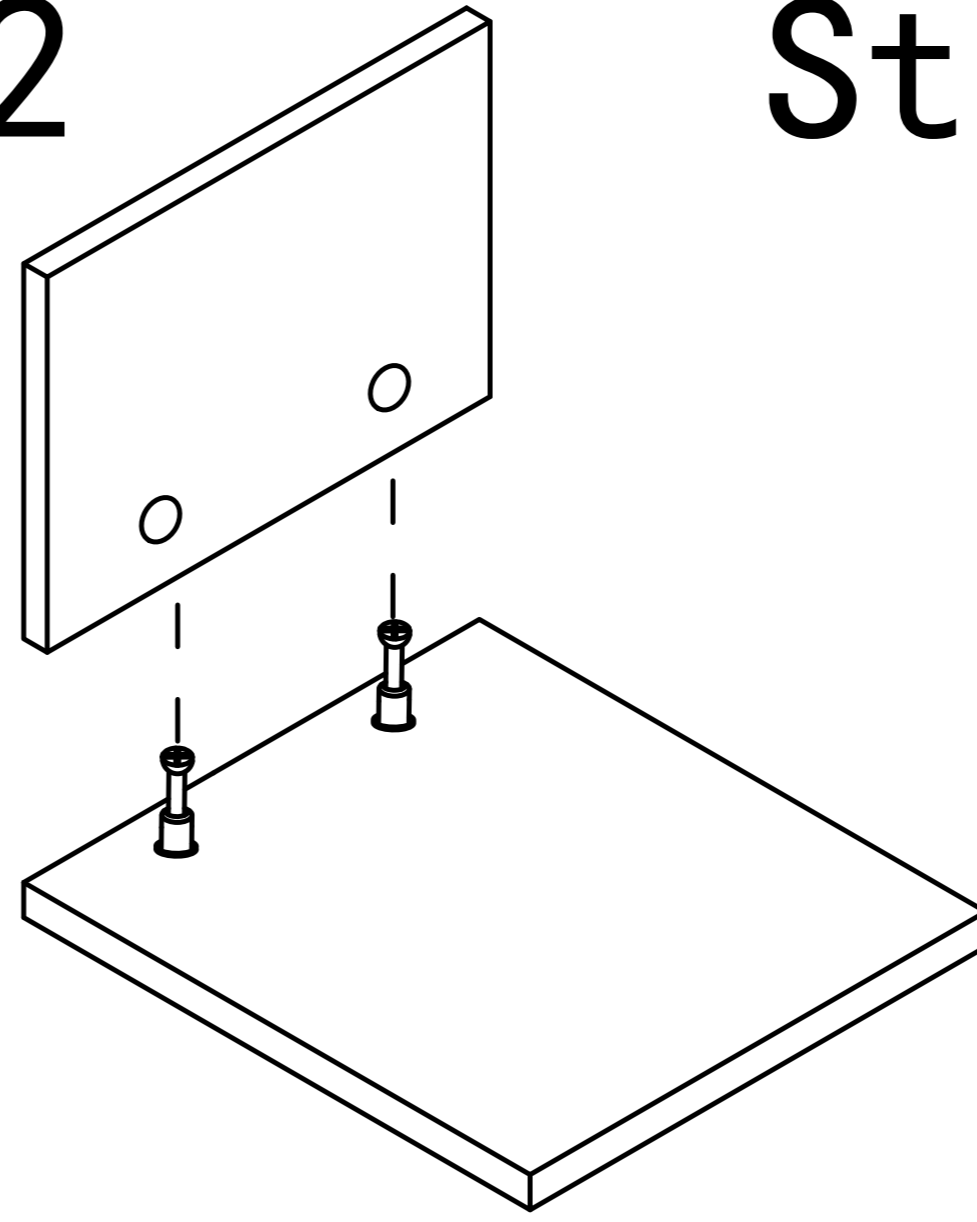


# Use parts ① and ②

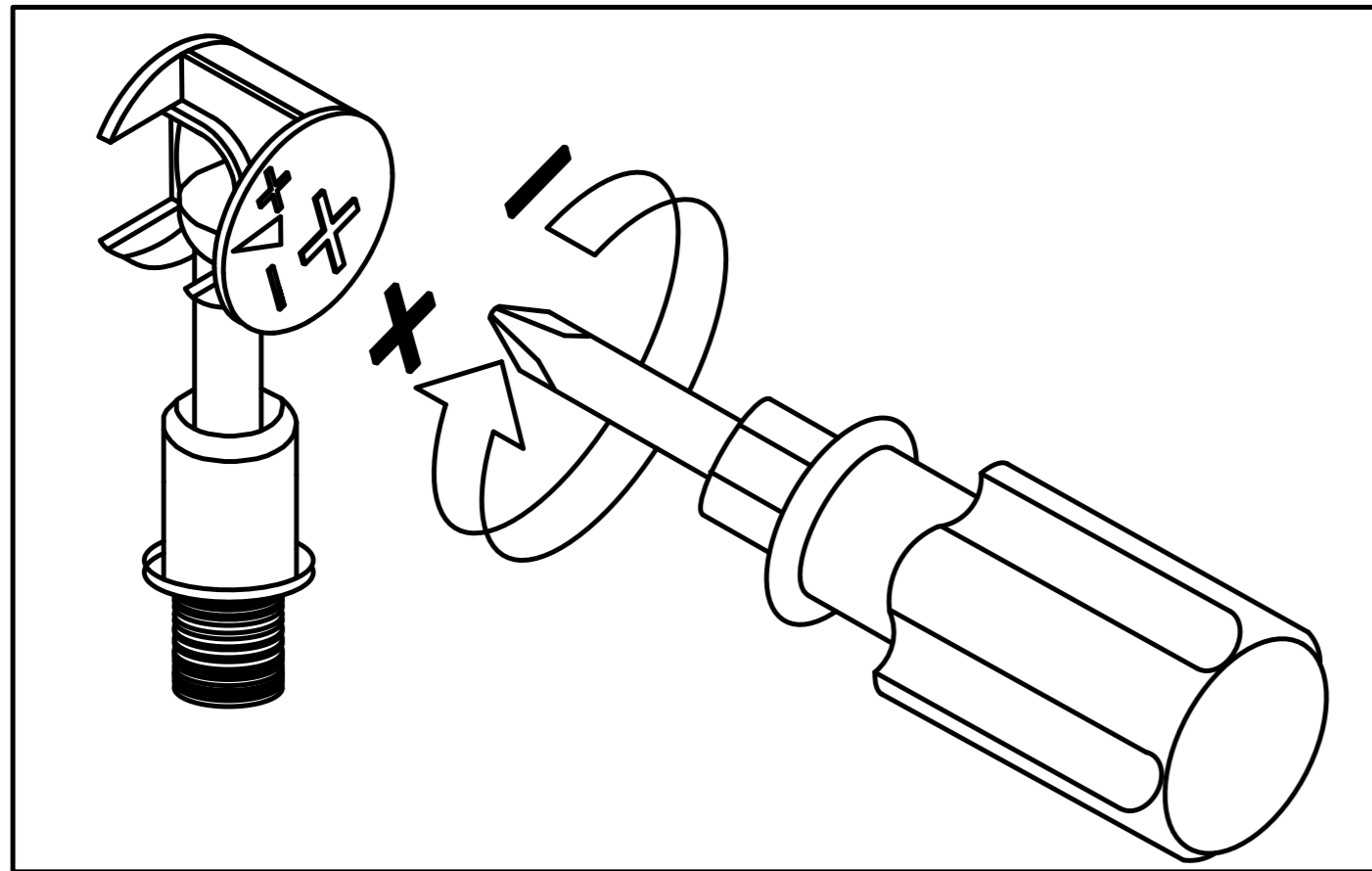
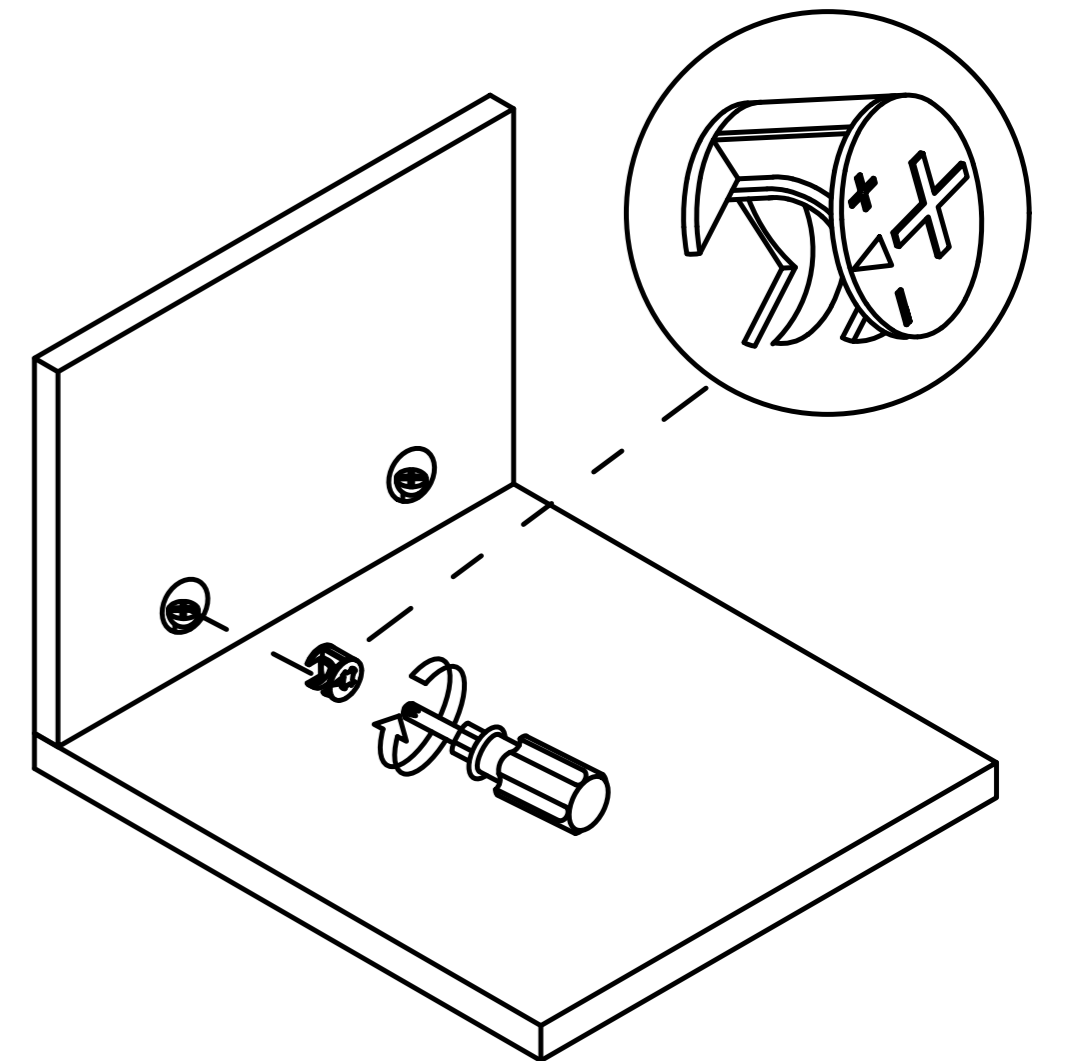
Step 1



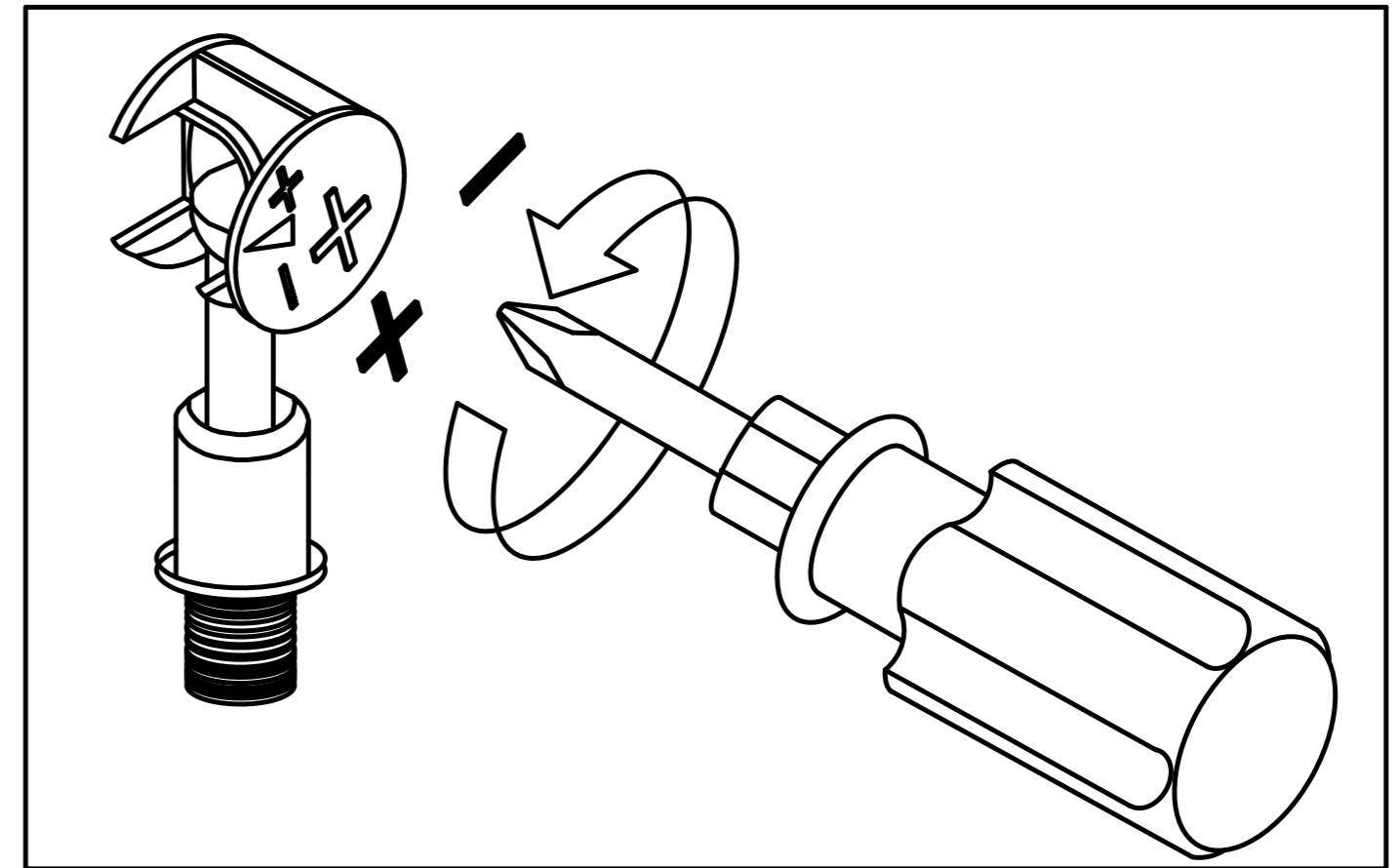
Step 2



Step 3

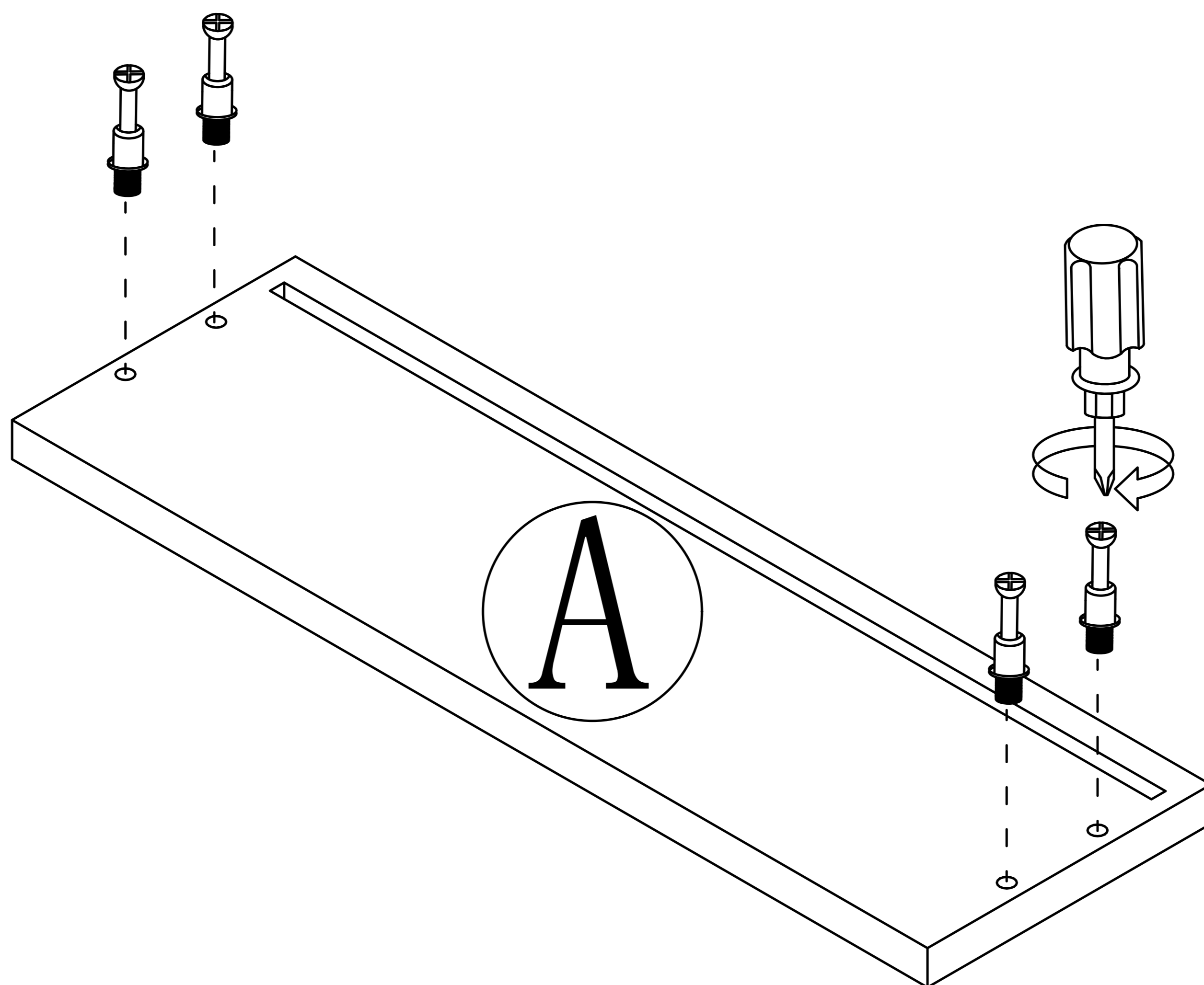
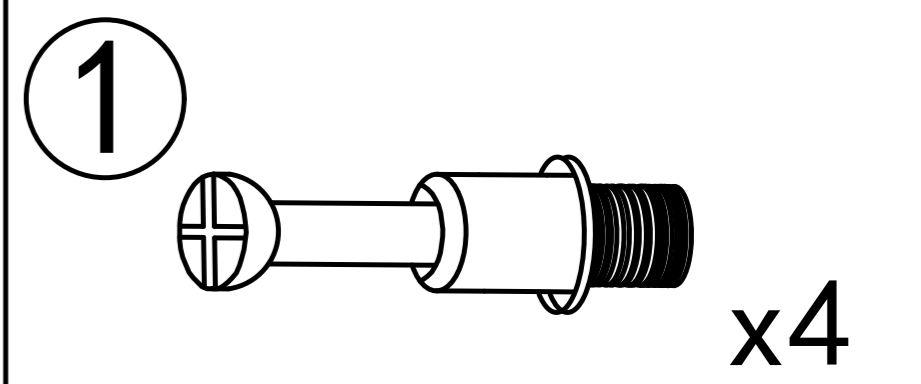


Use a screwdriver to lock in the direction of the "+" sign

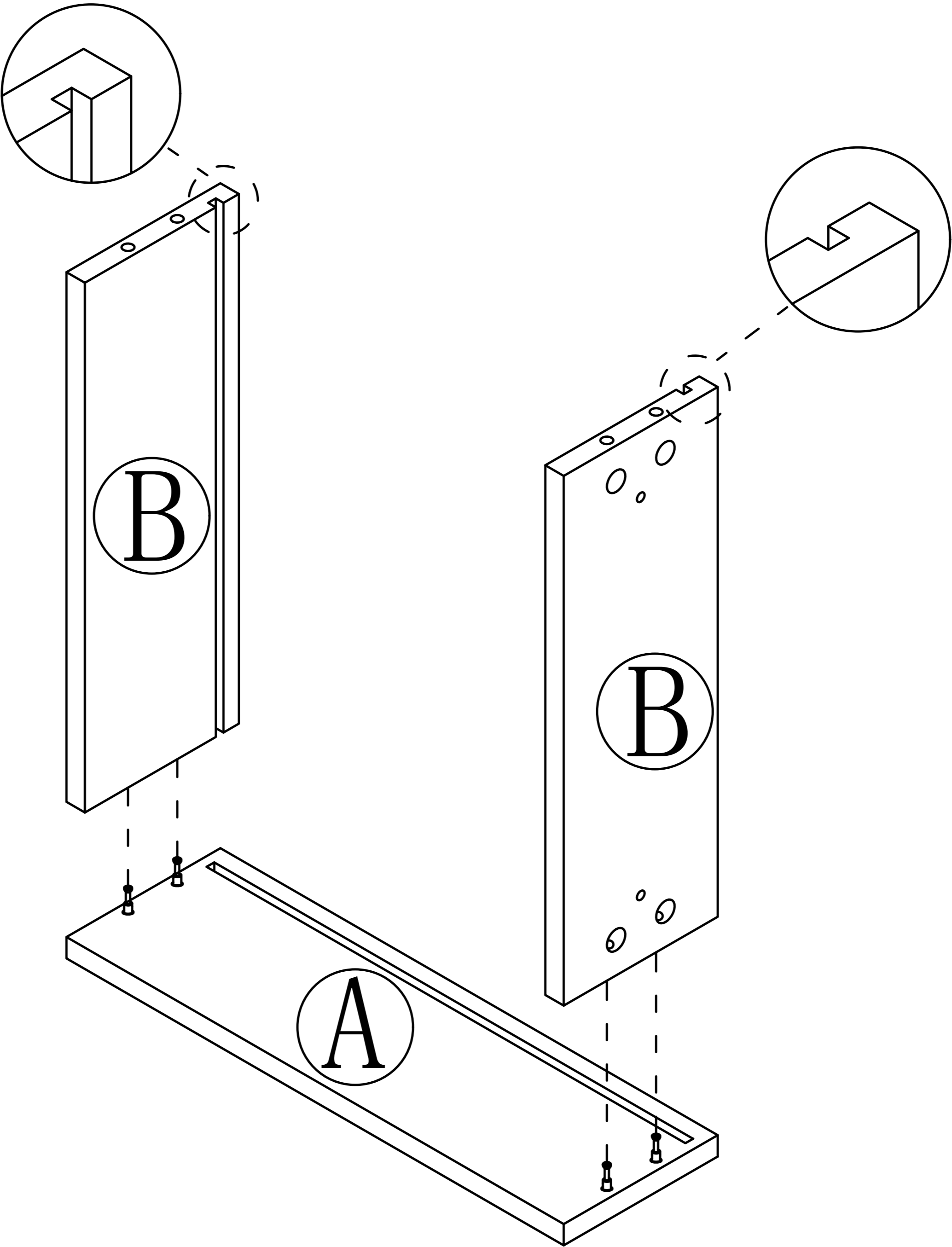


Disassemble along the direction of "-" sign

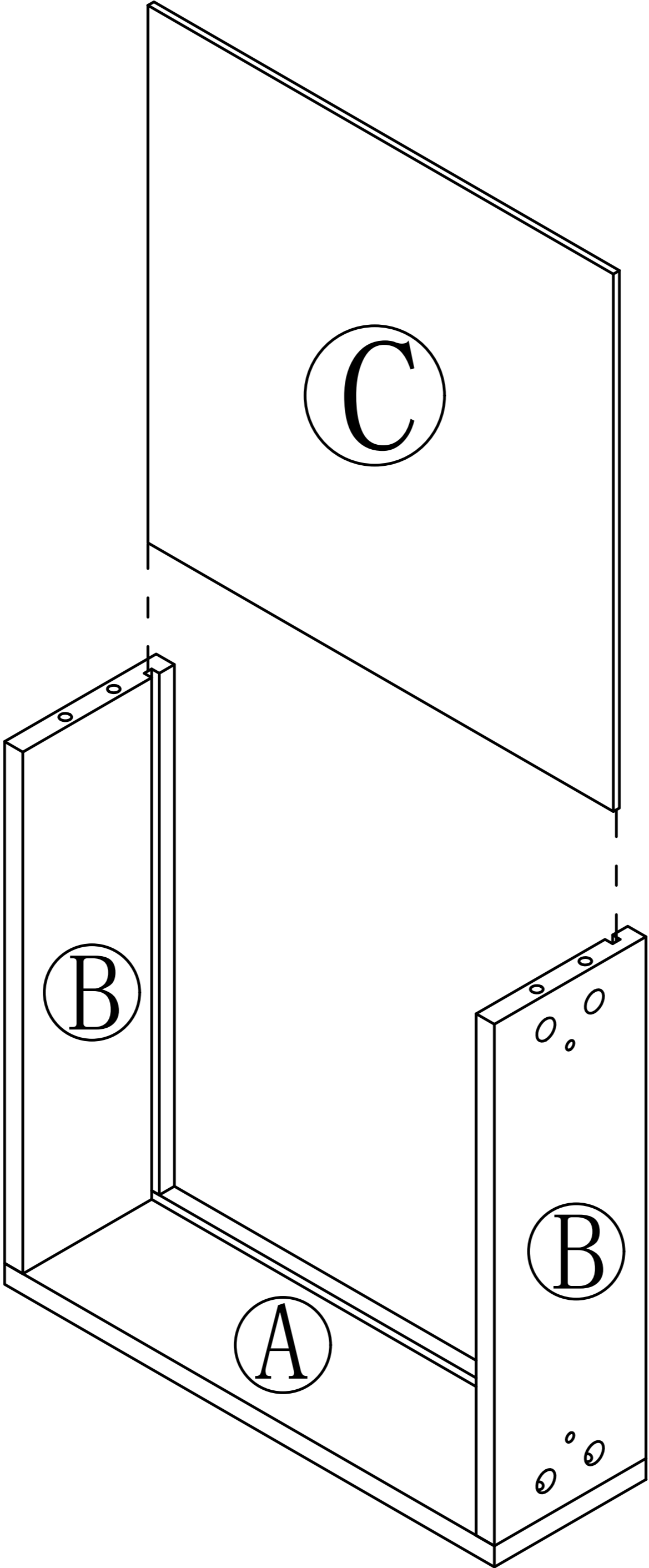
Step 1



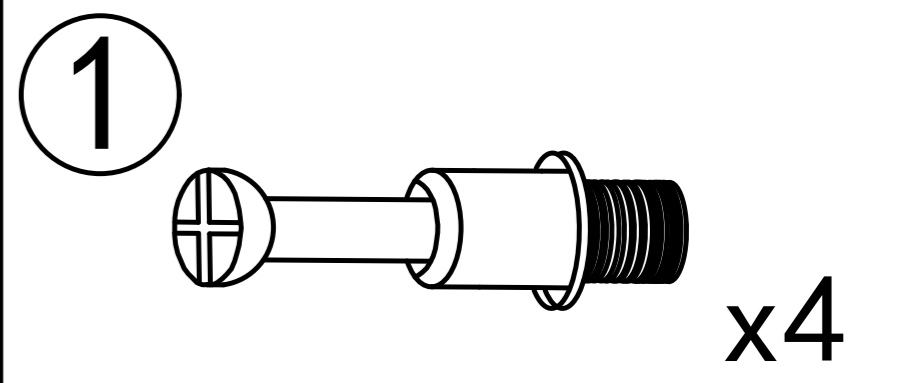
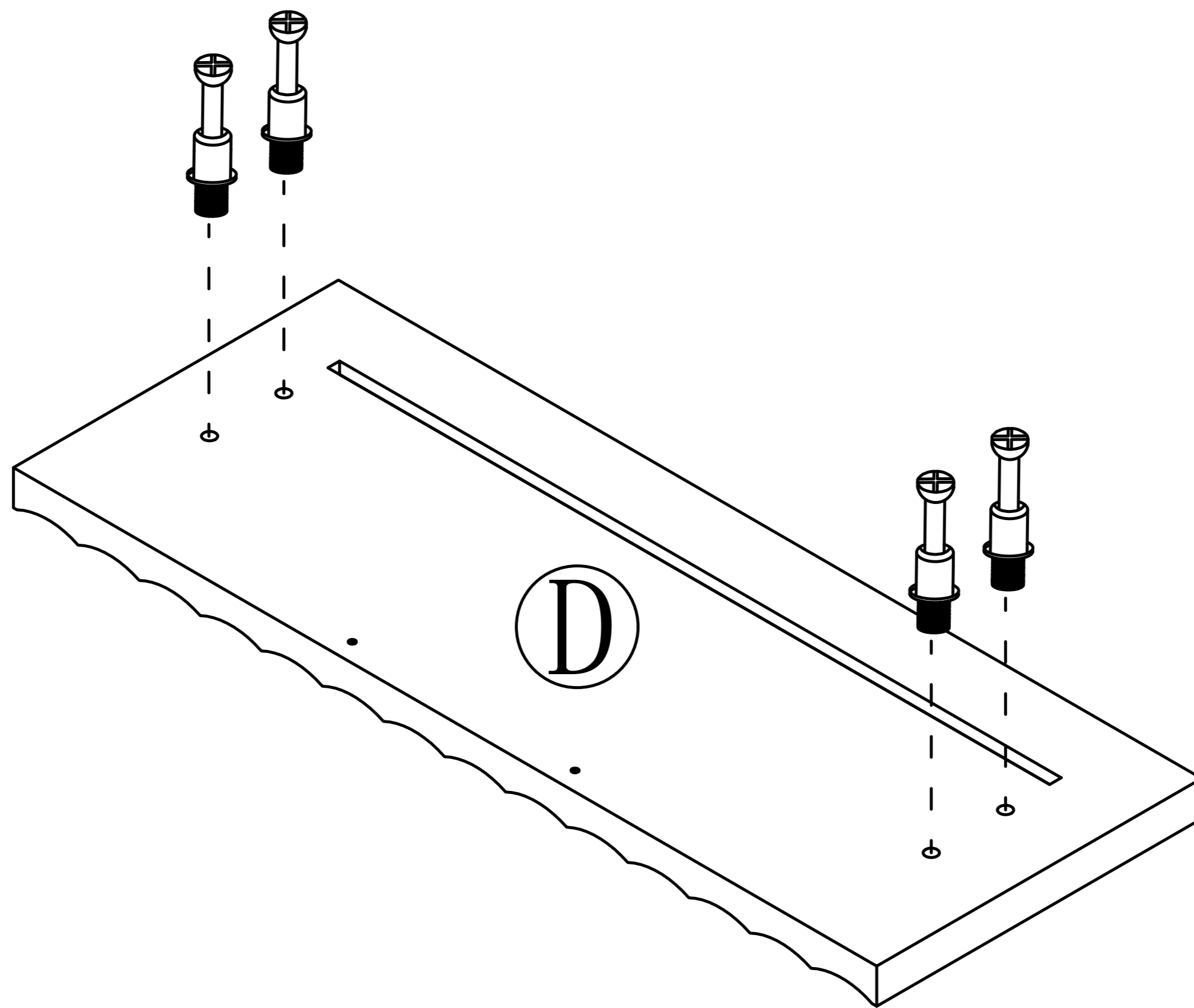
Step 2



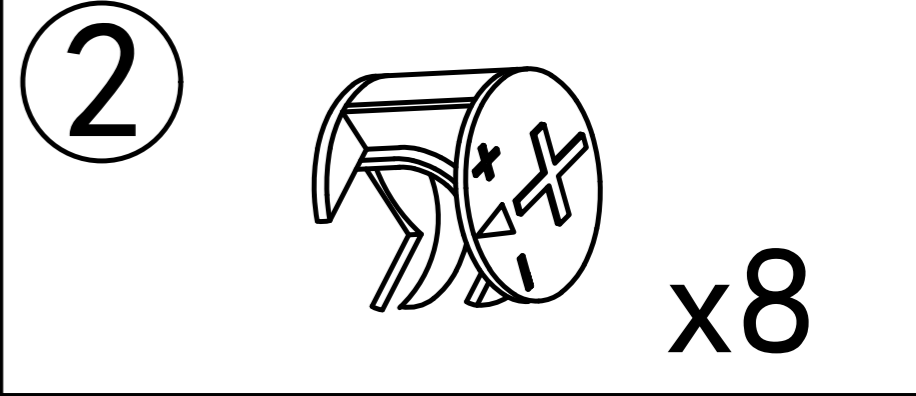
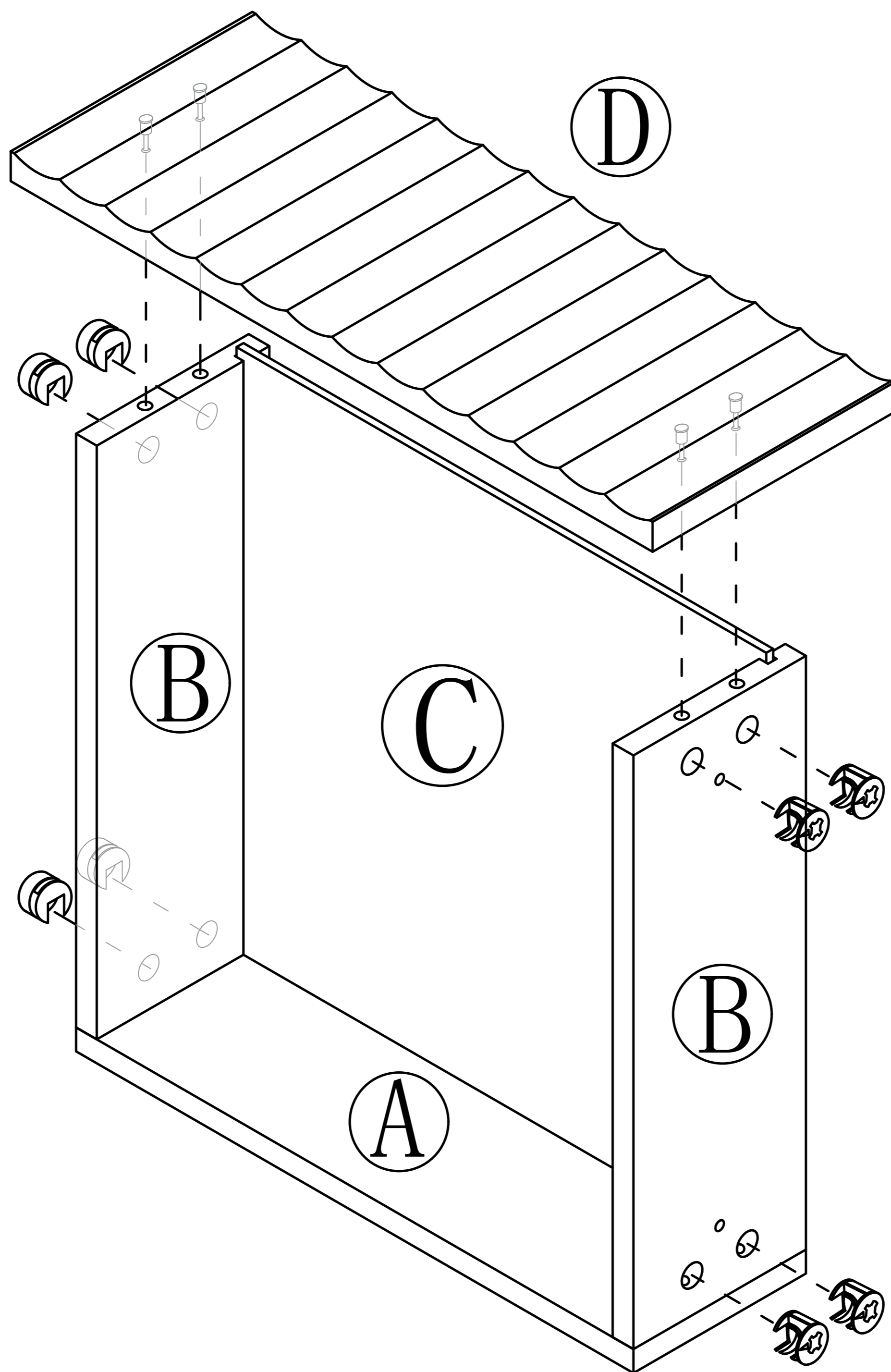
Step 3



Step 4

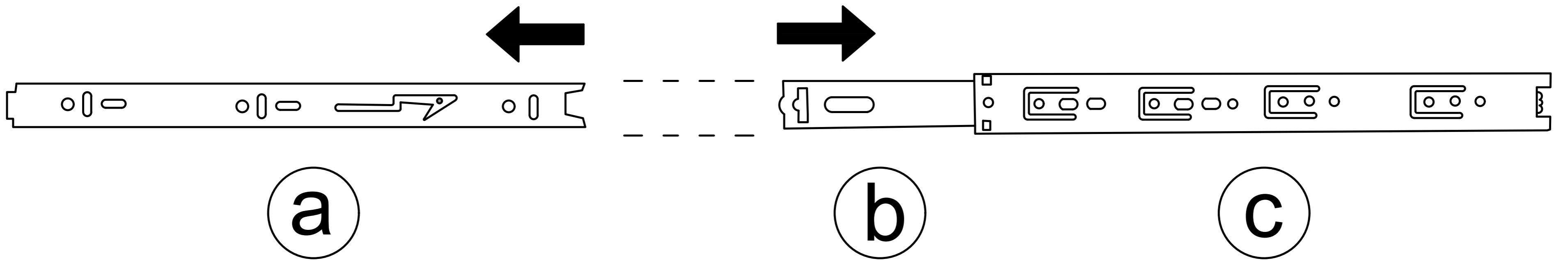


Step 5



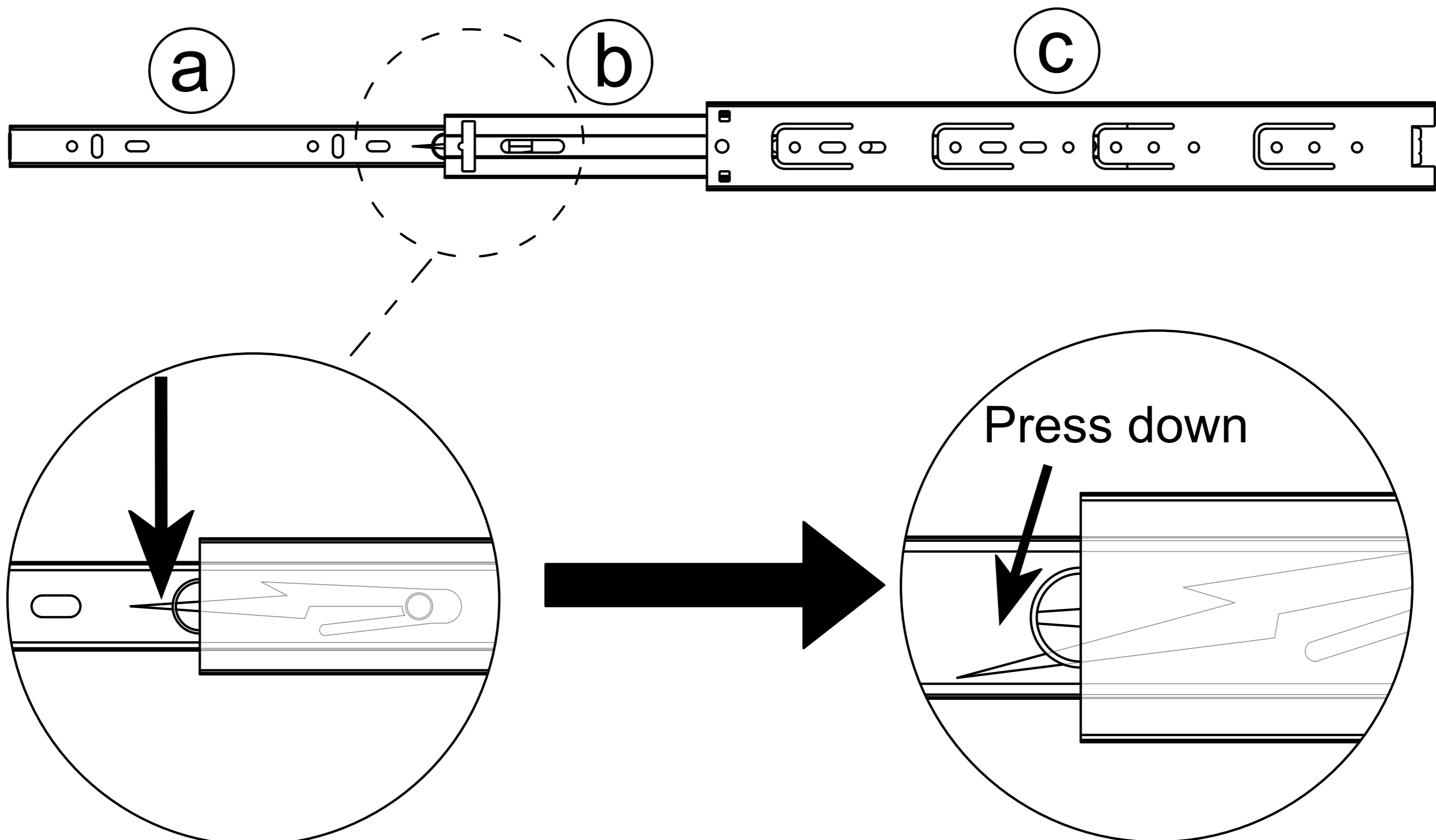
Use parts ⑤

Drawer rail breakdown diagram



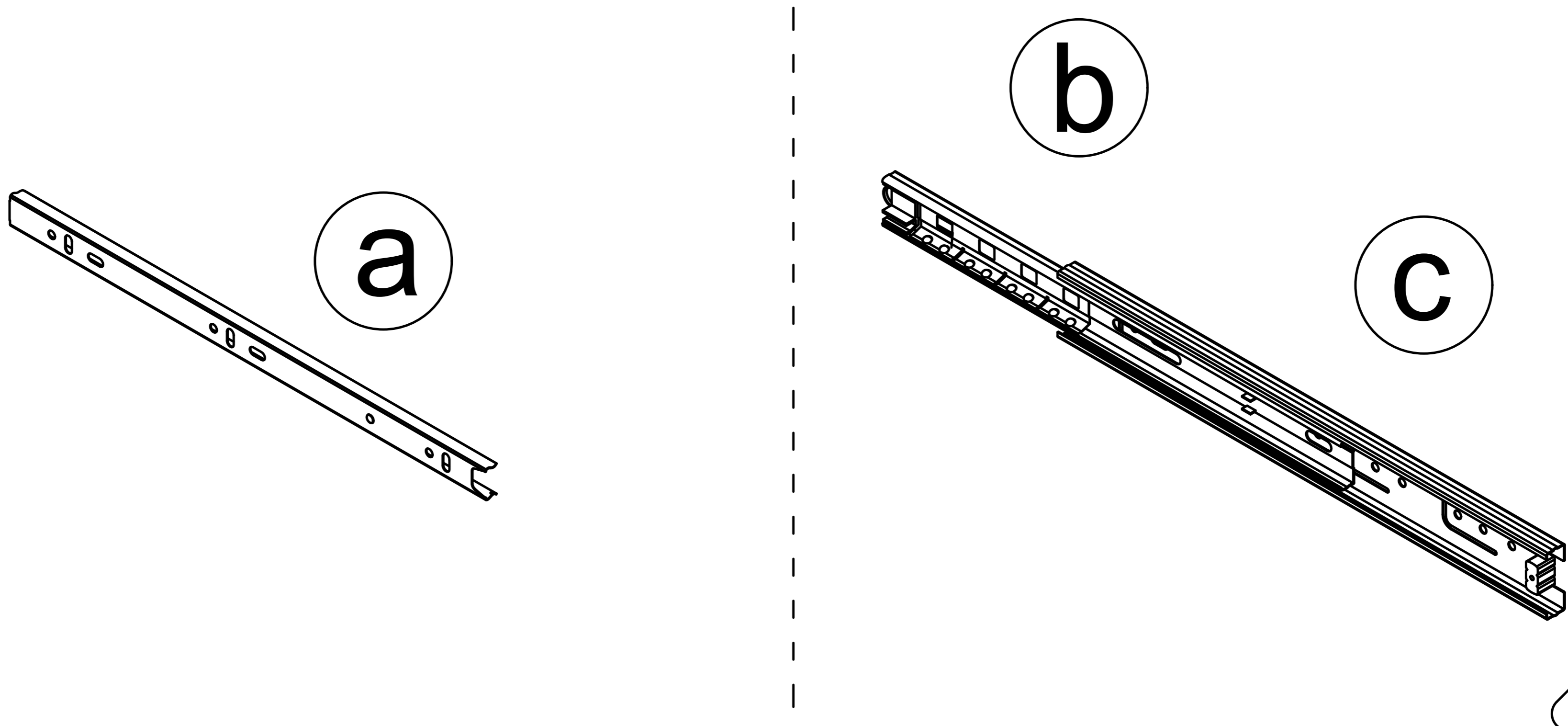
① Dismantle the schematic diagram

Step 1 : Pull the rails apart

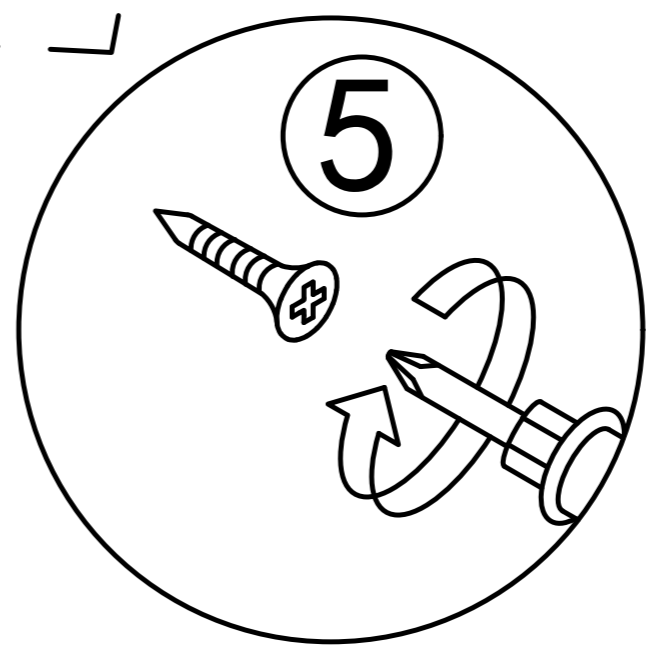
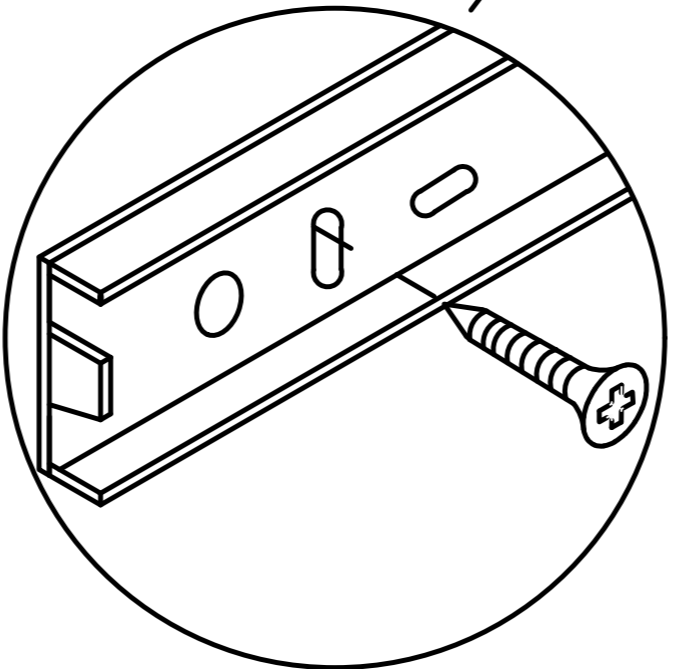
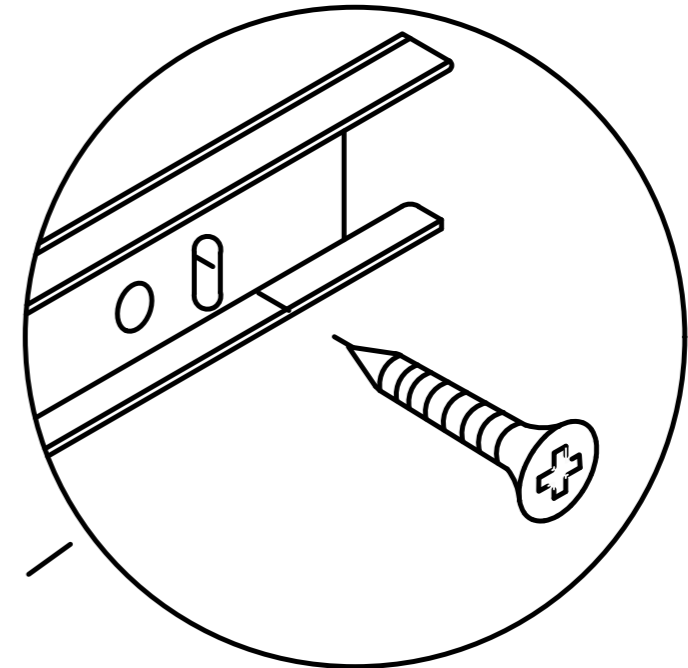
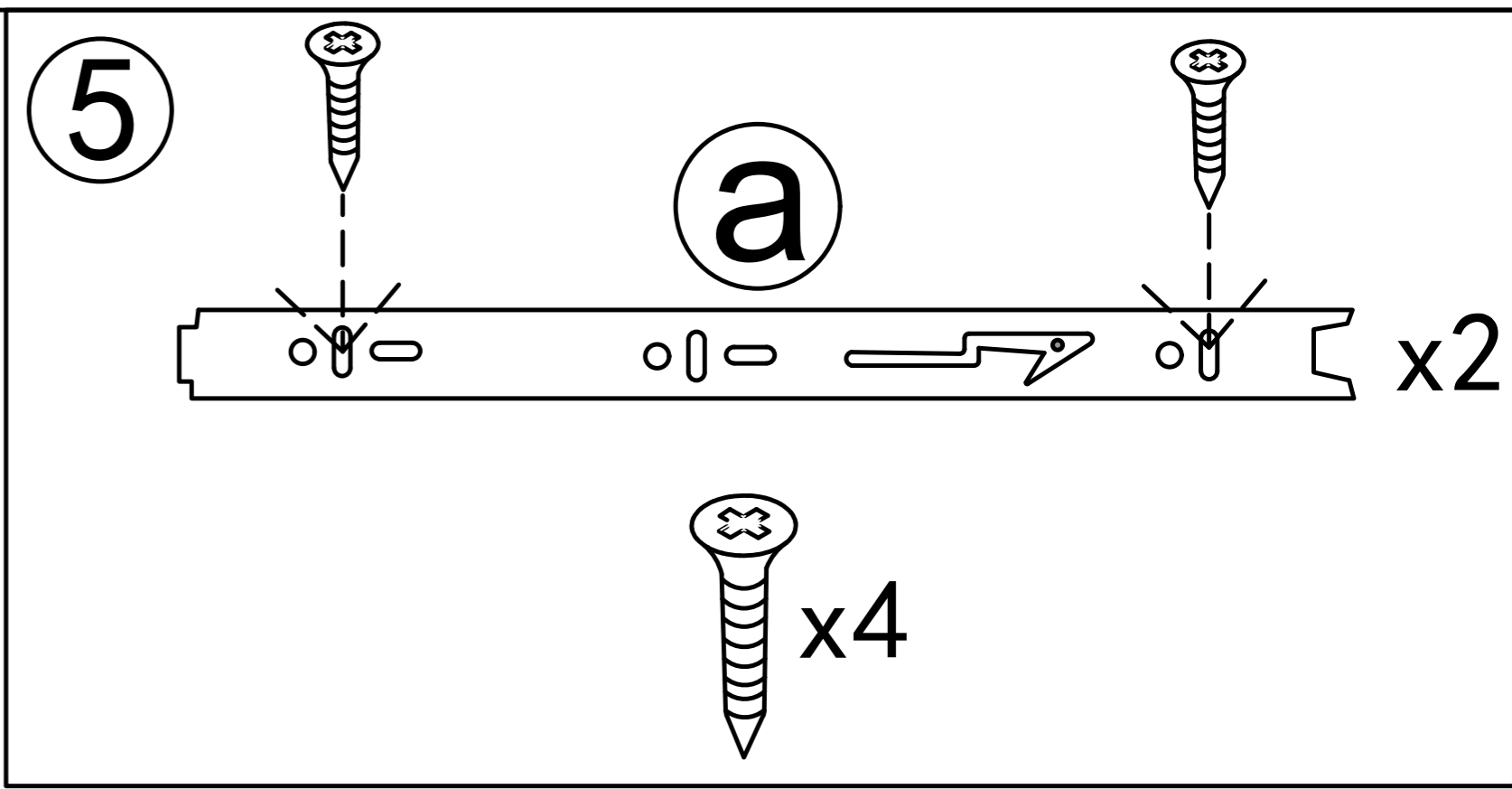
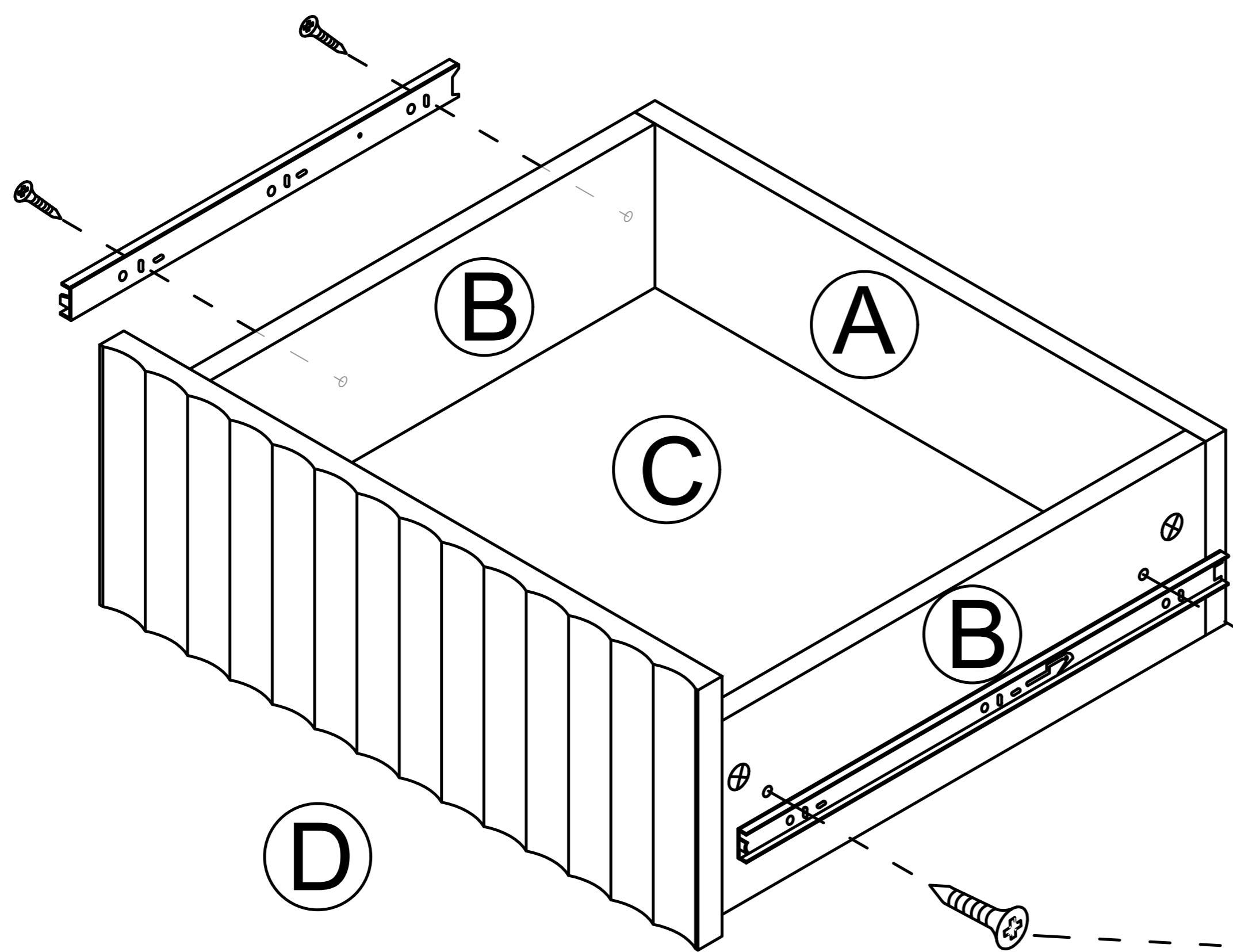


Step 2 : Press the nylon button and pull out (a).

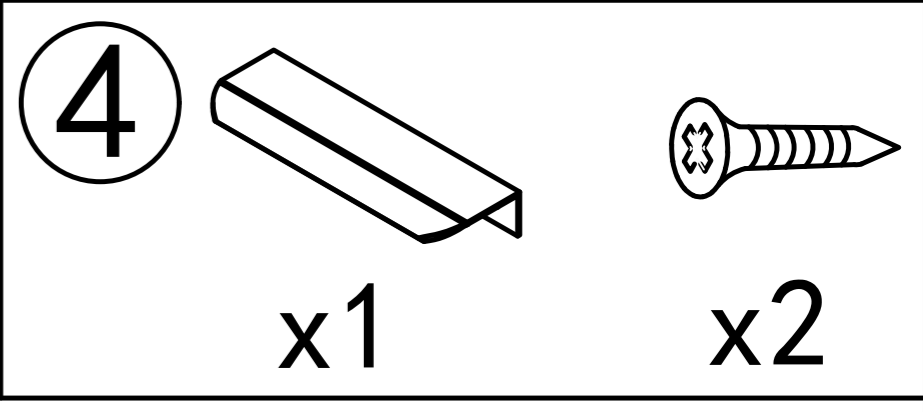
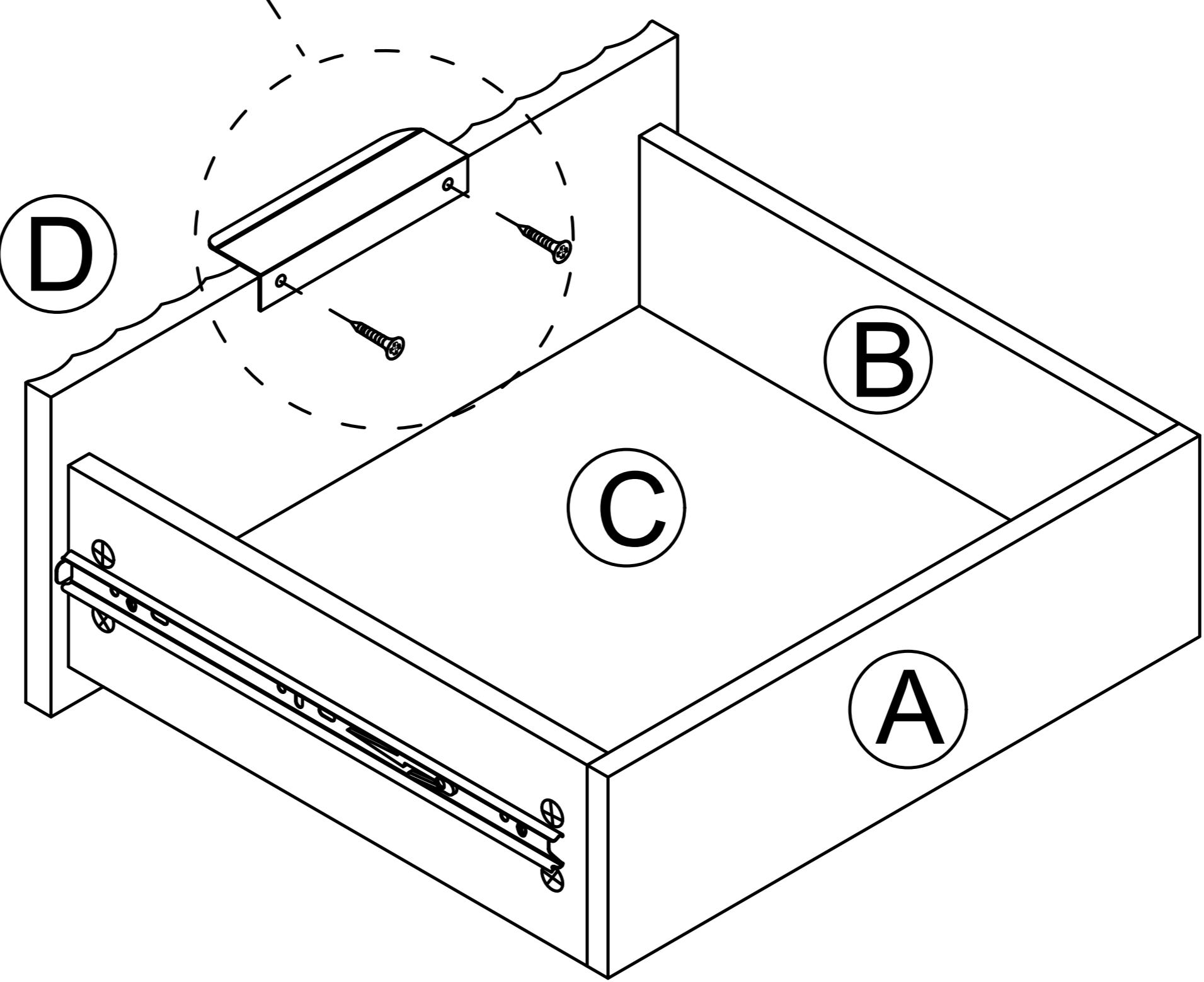
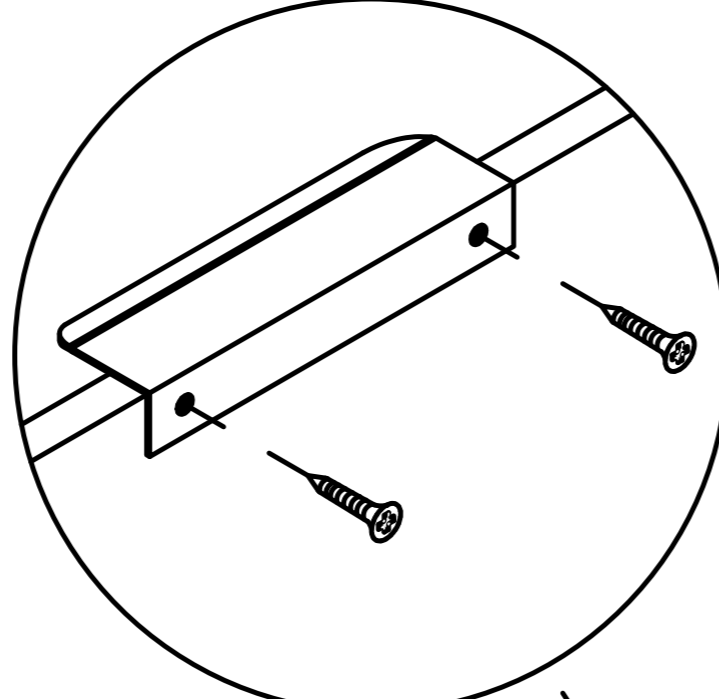
Drawer rail decomposition completed schematic diagram



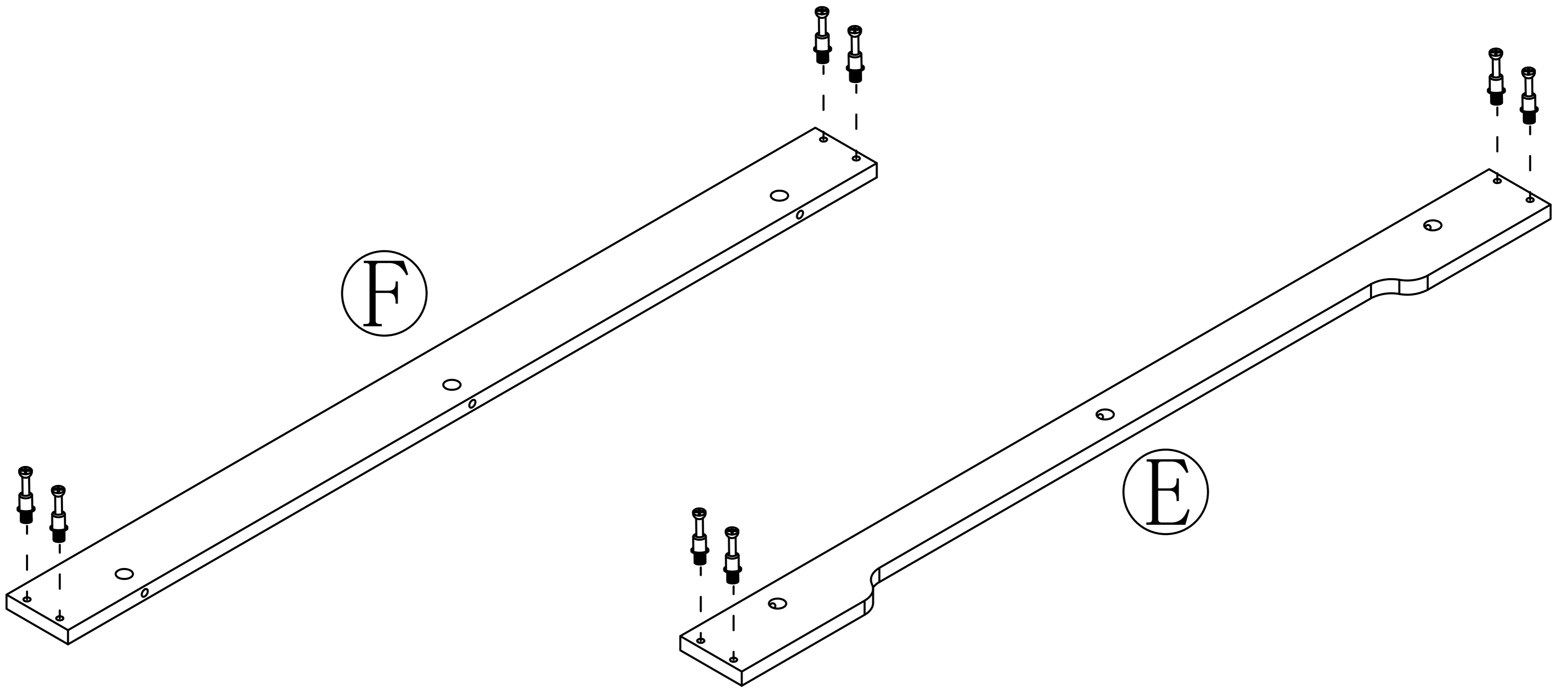
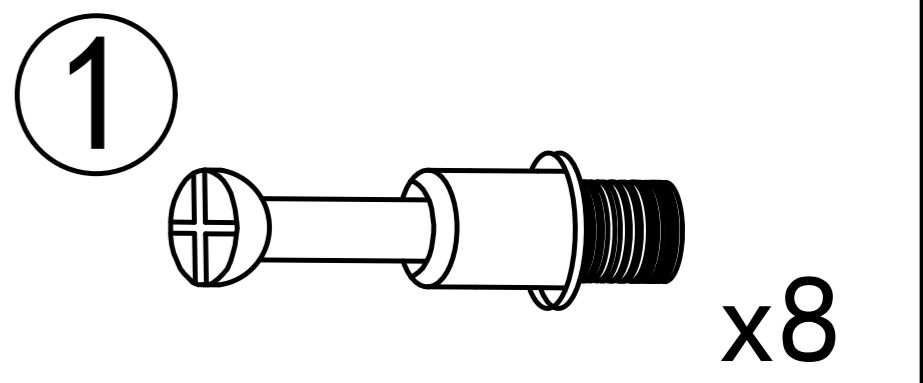
Step 6



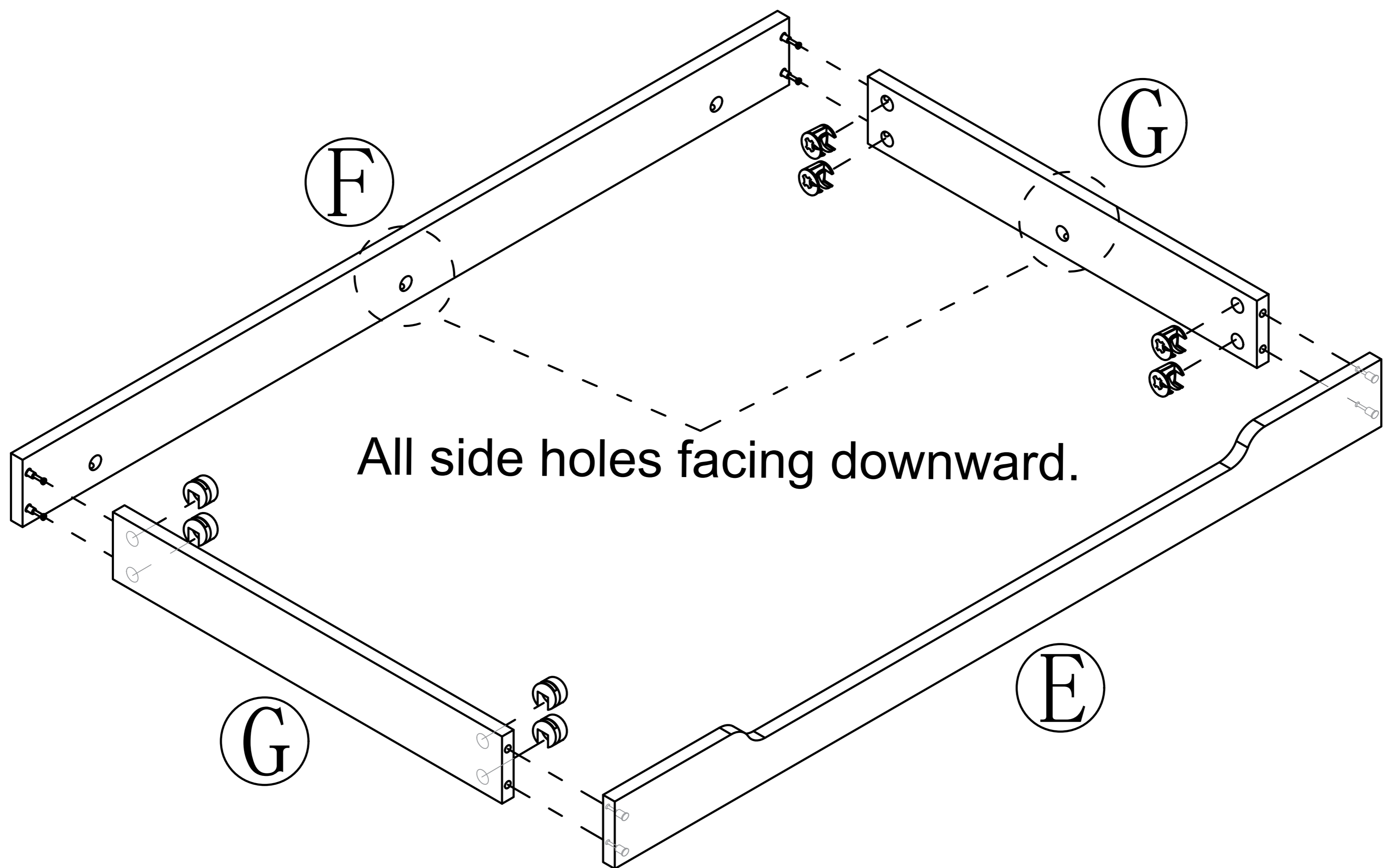
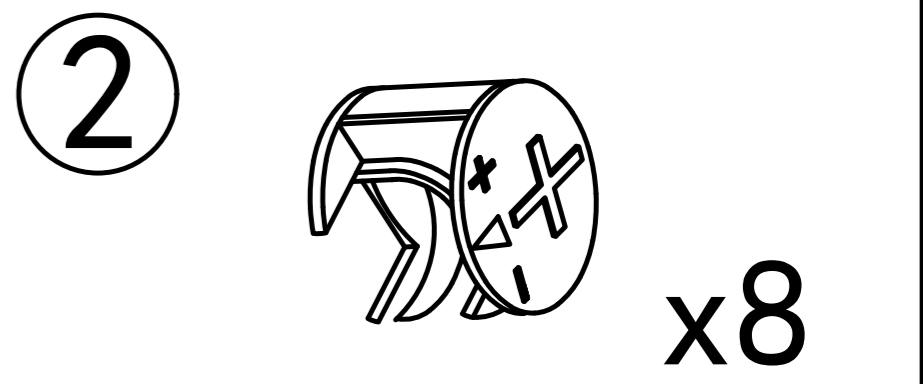
Step 7



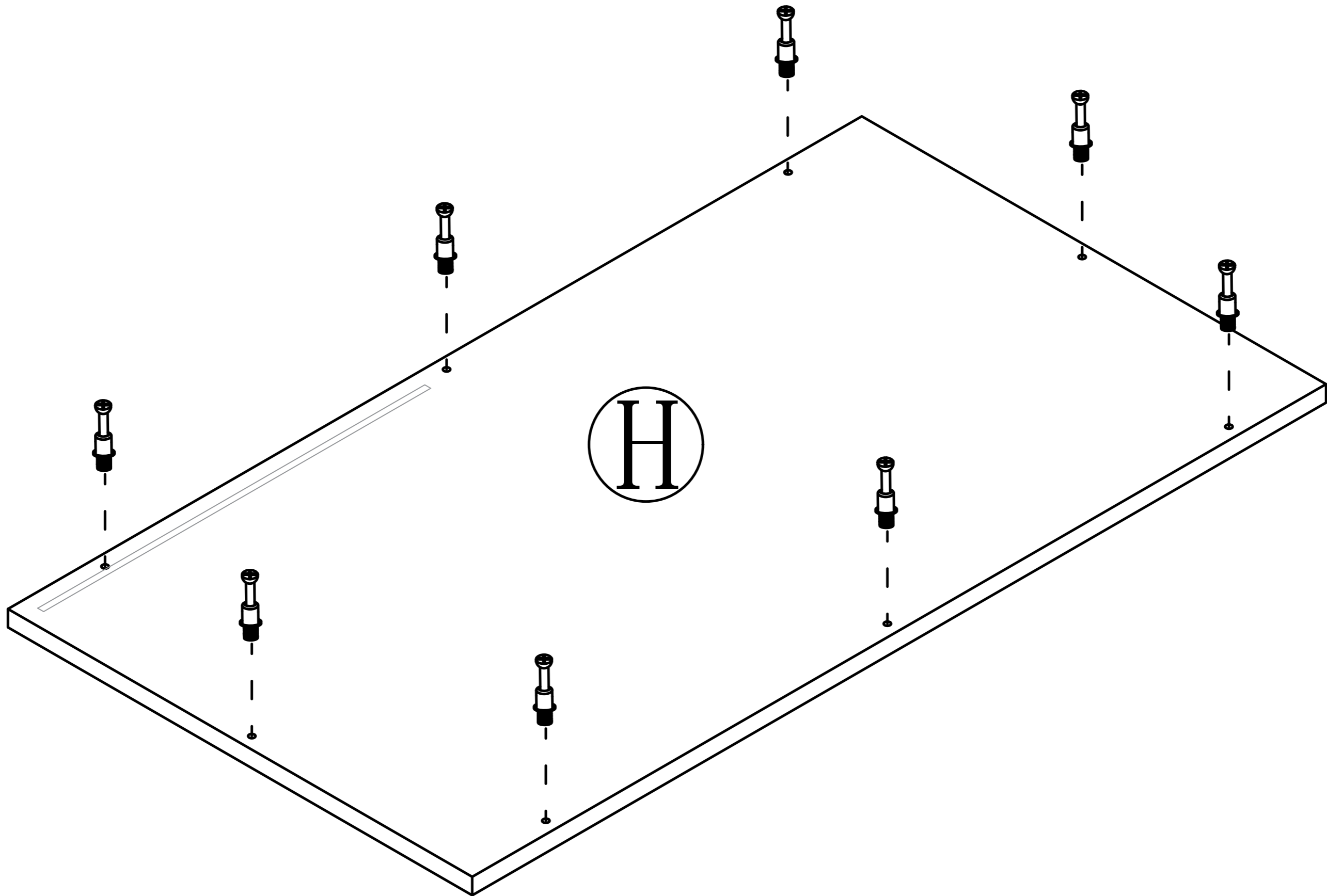
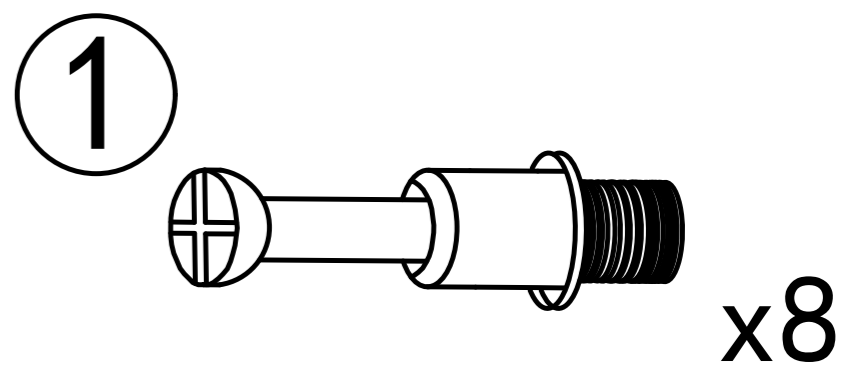
Step 8



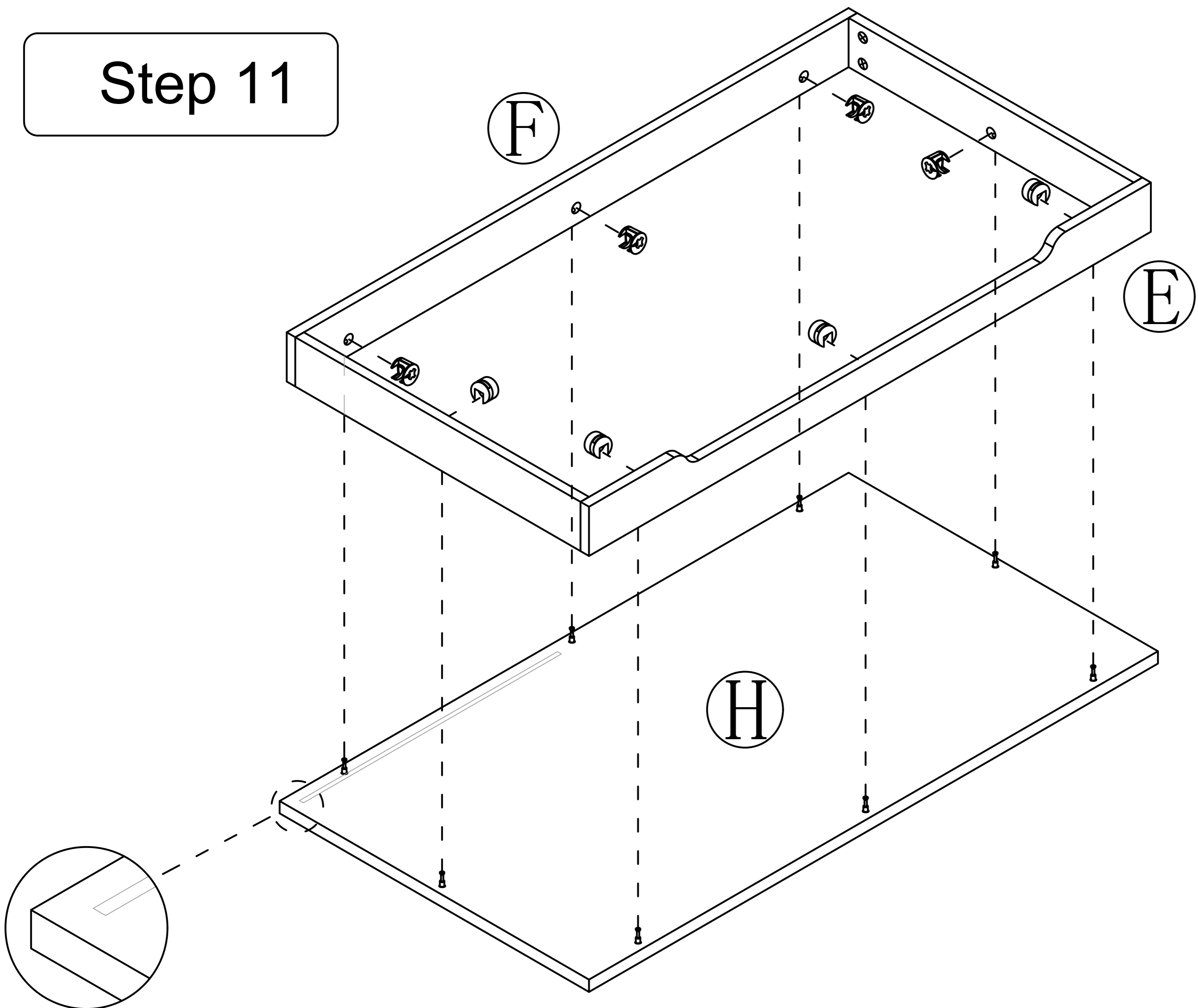
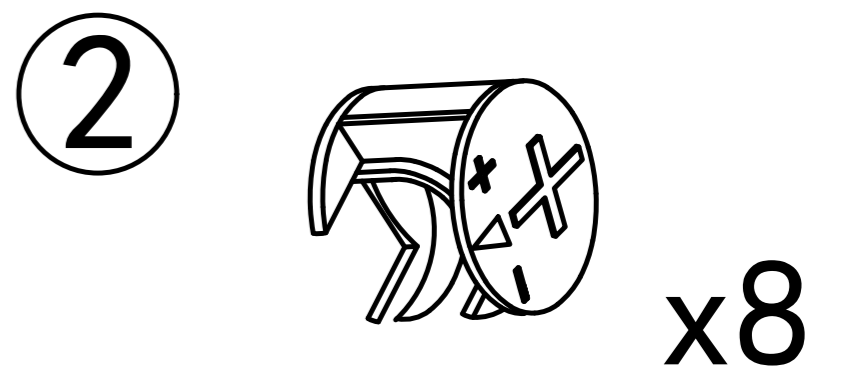
Step 9



Step 10

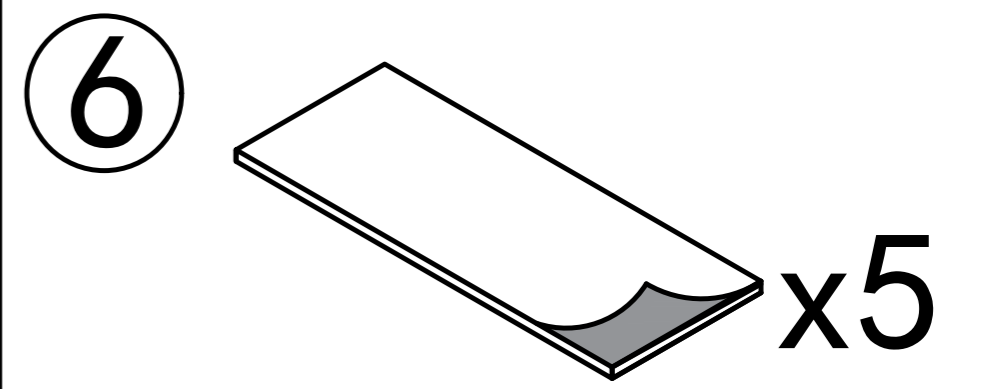


Step 11

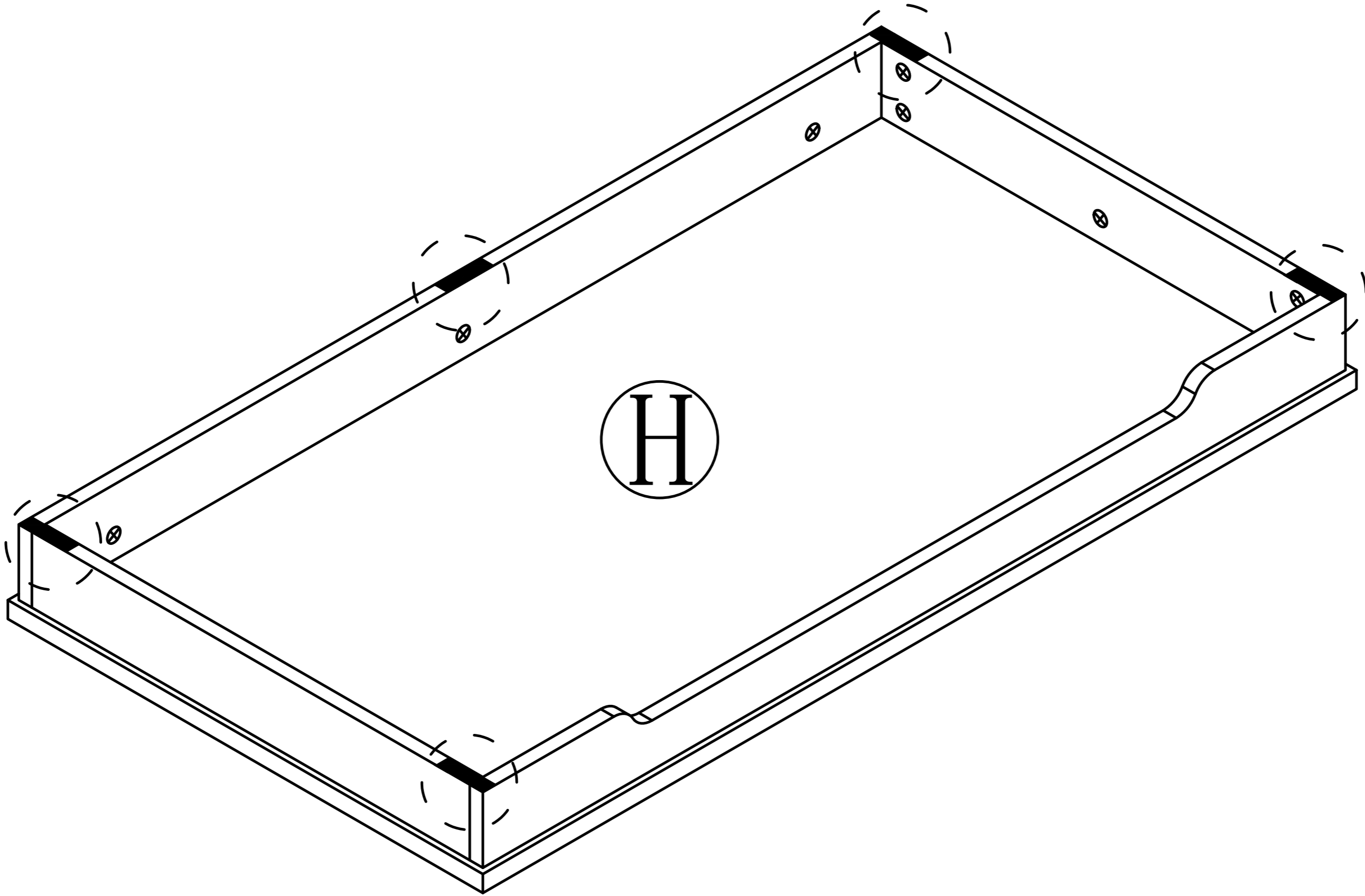


Pay attention to the position of the back slot.

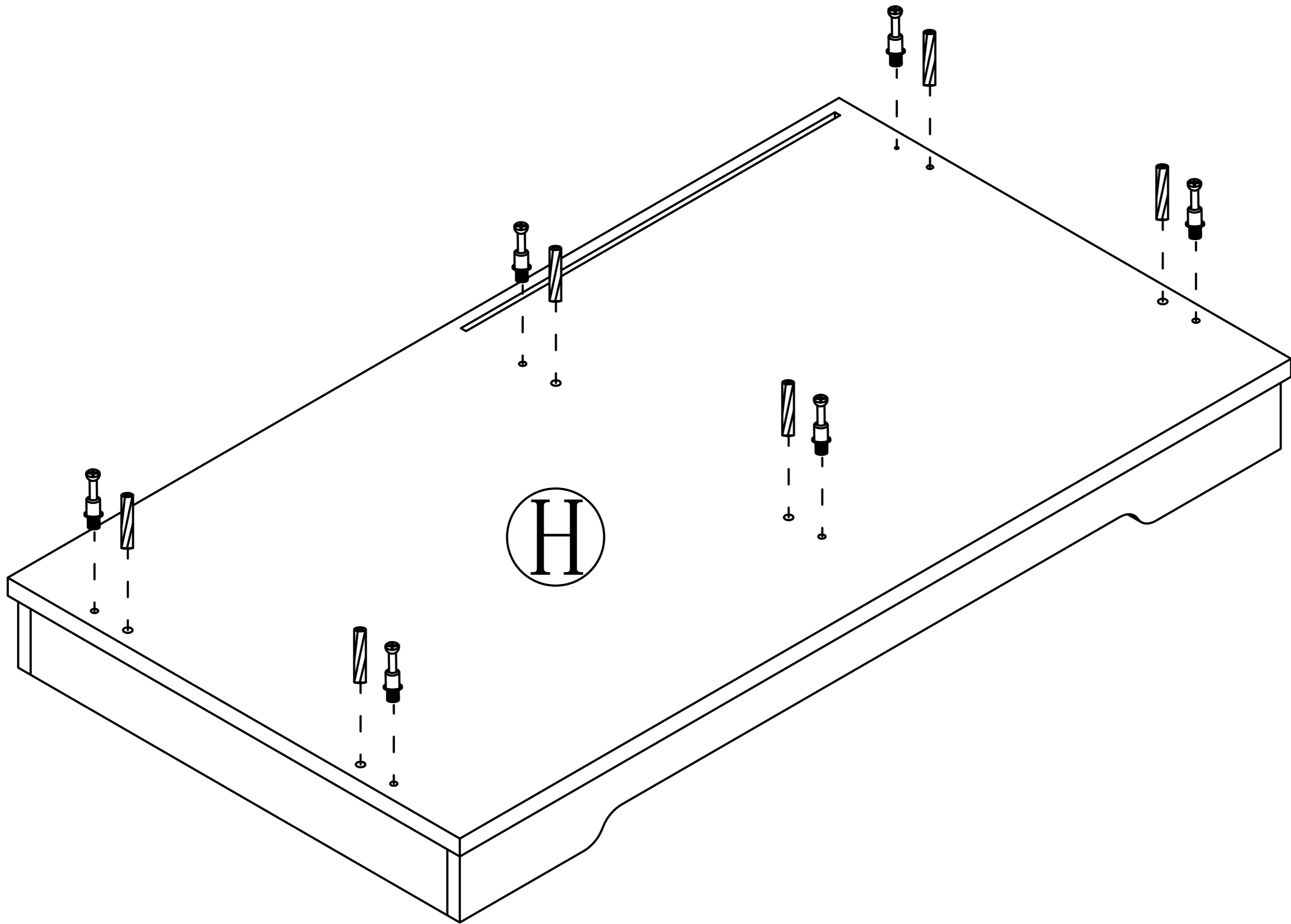
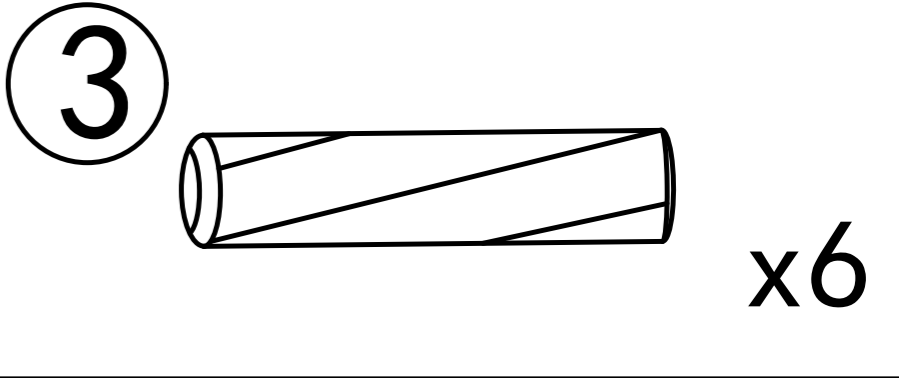
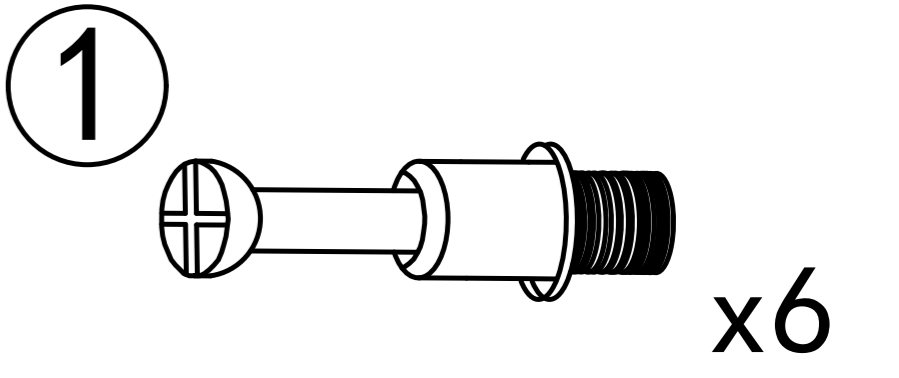
# Step 12



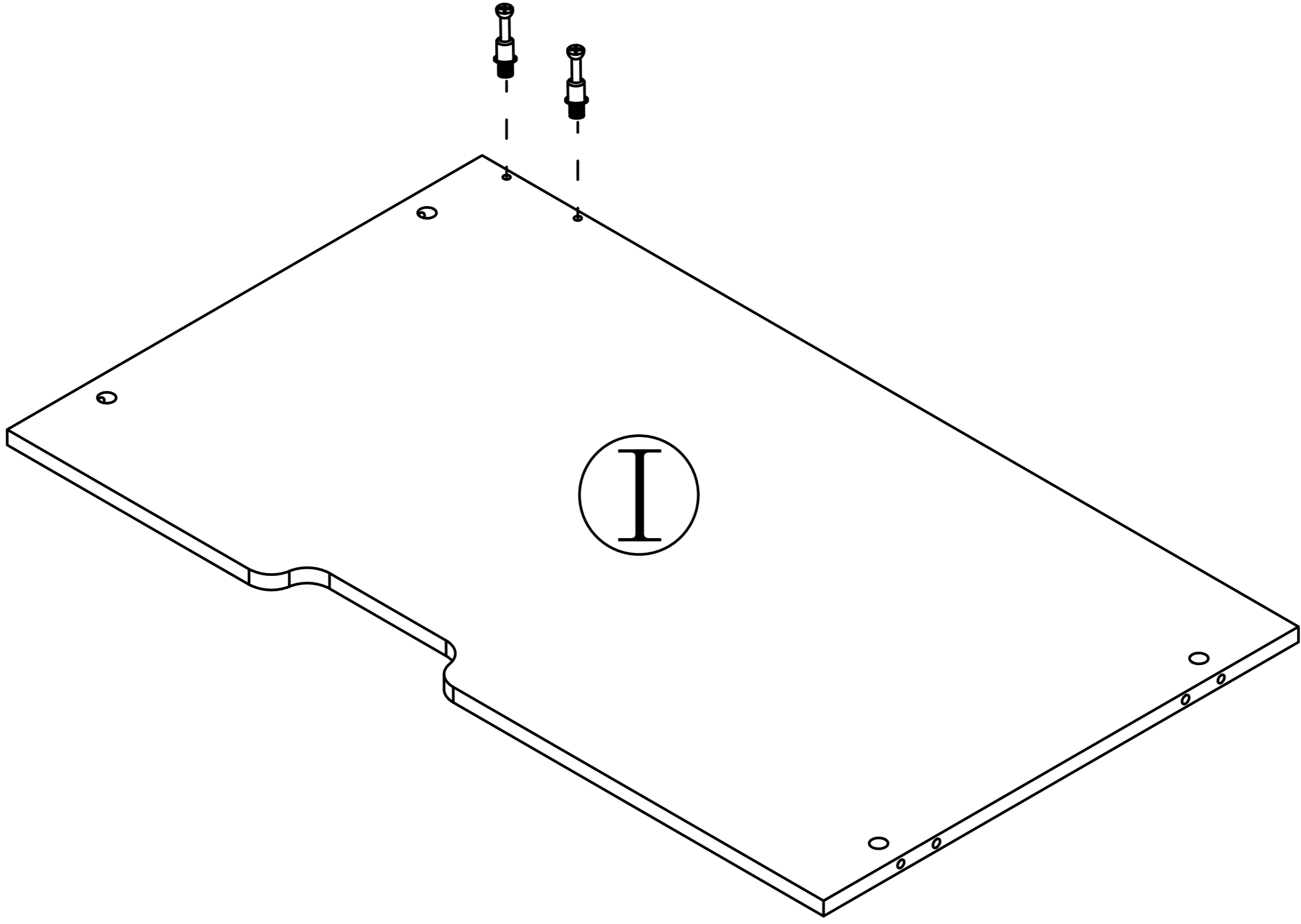
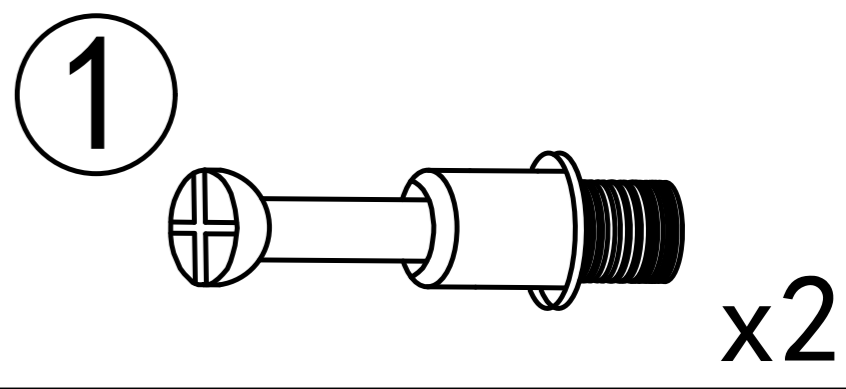
Tear off release paper and stick the black foot pad on the board



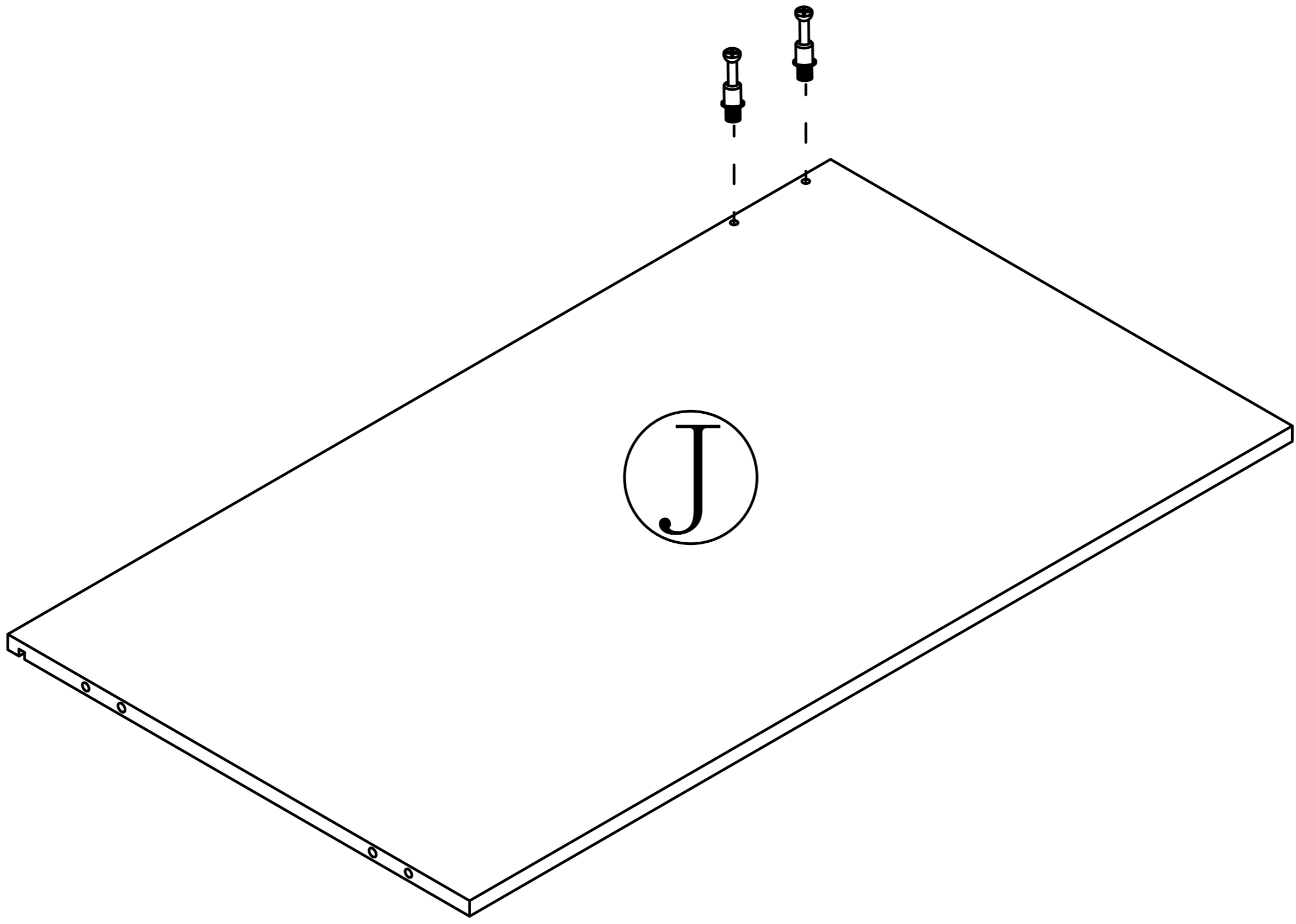
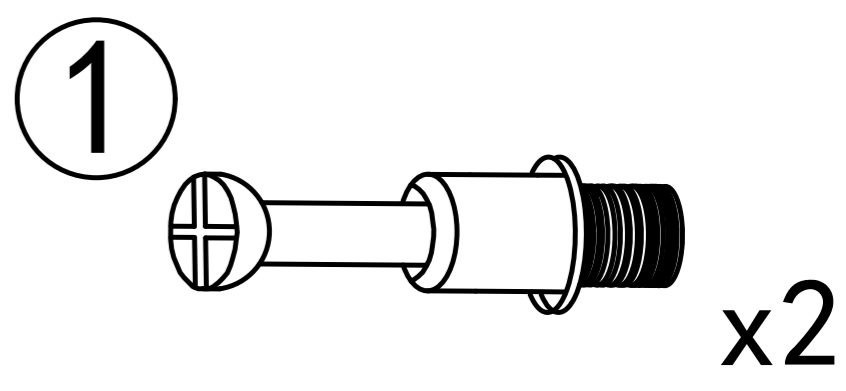
# Step 13



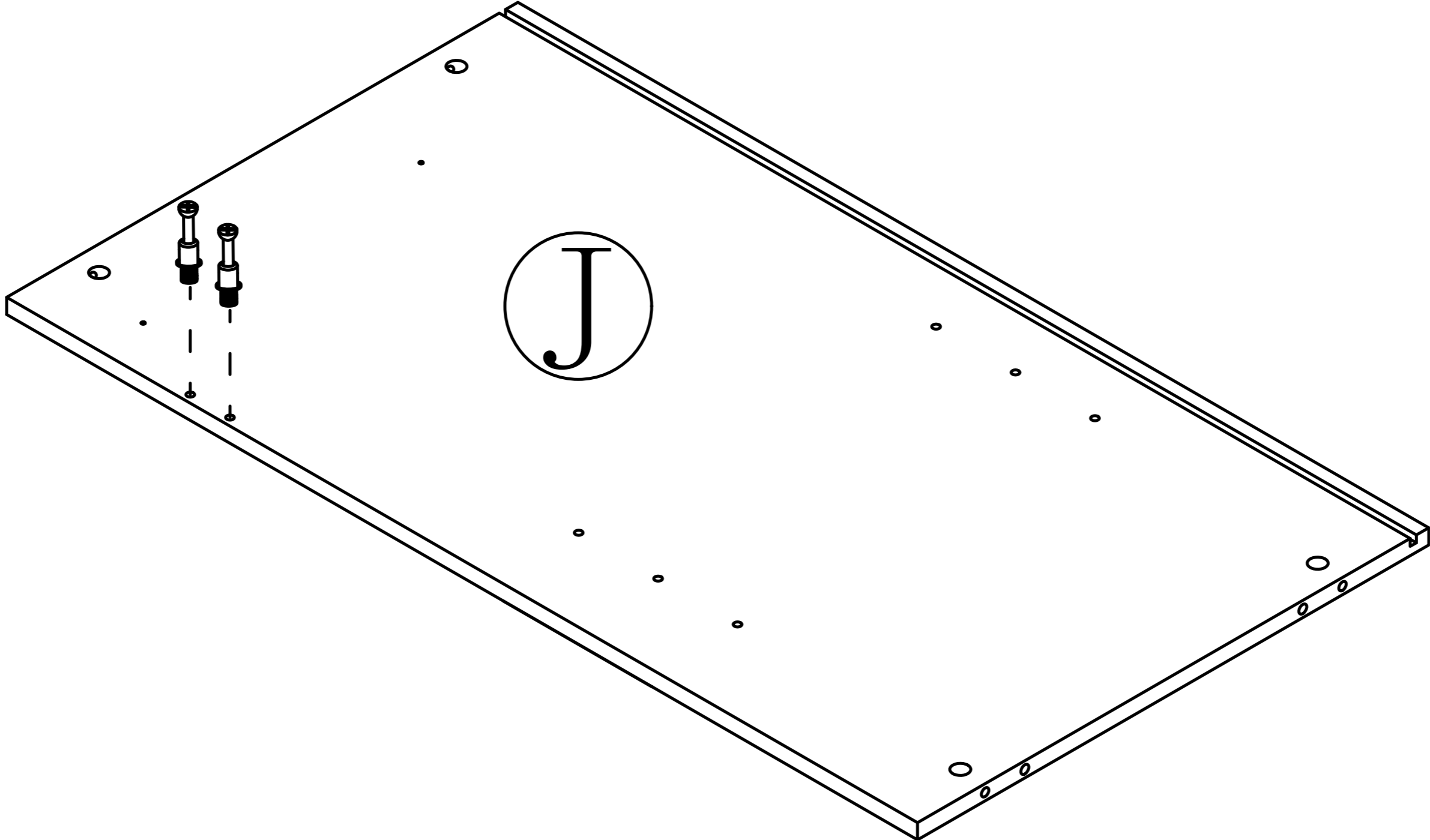
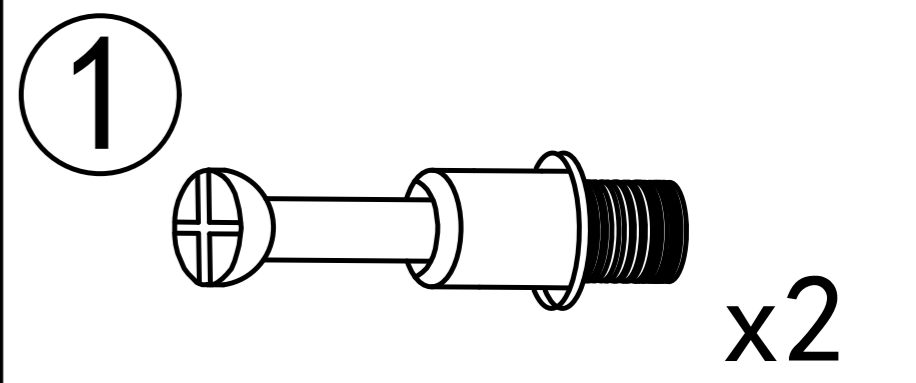
Step 14



Step 15

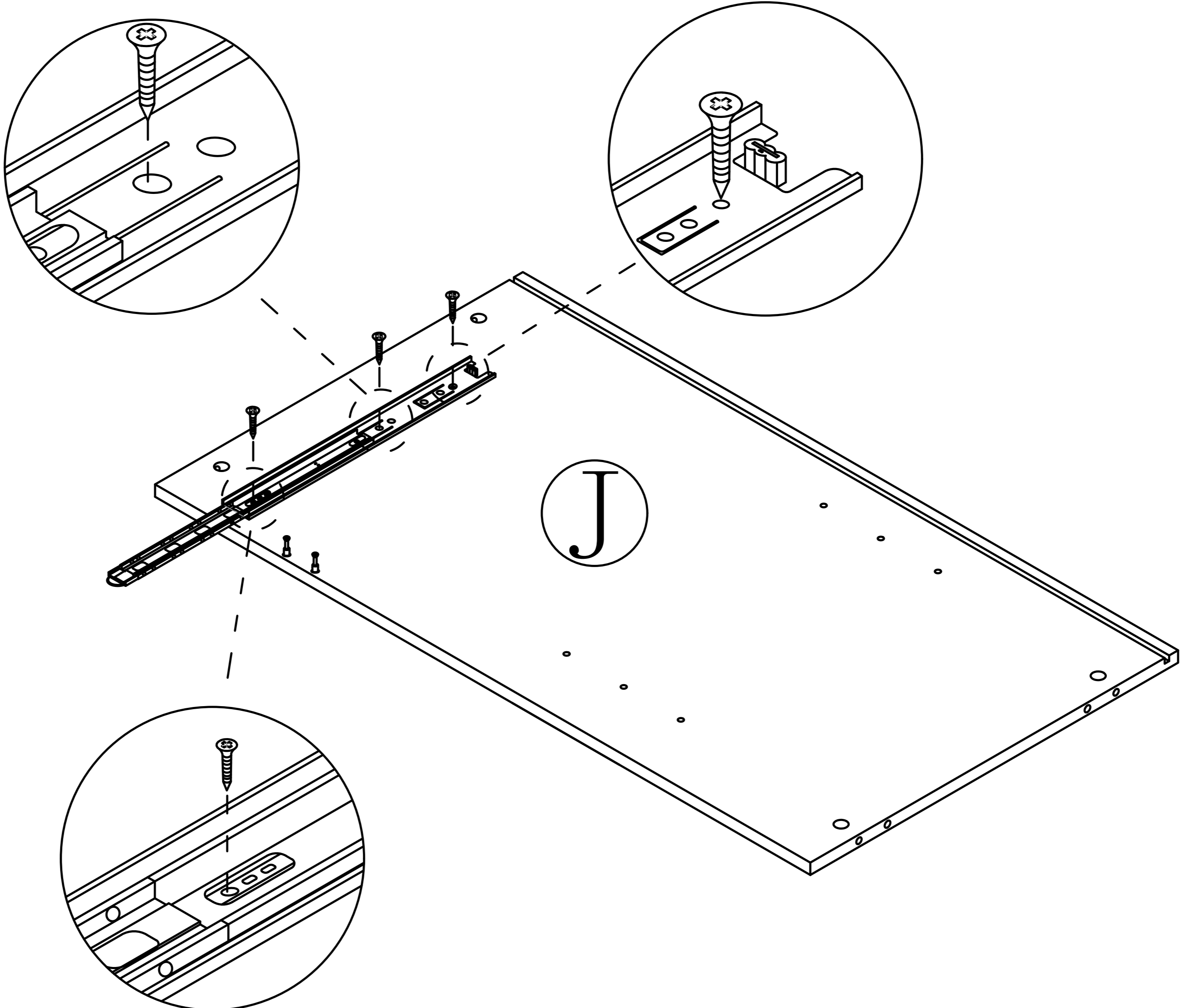
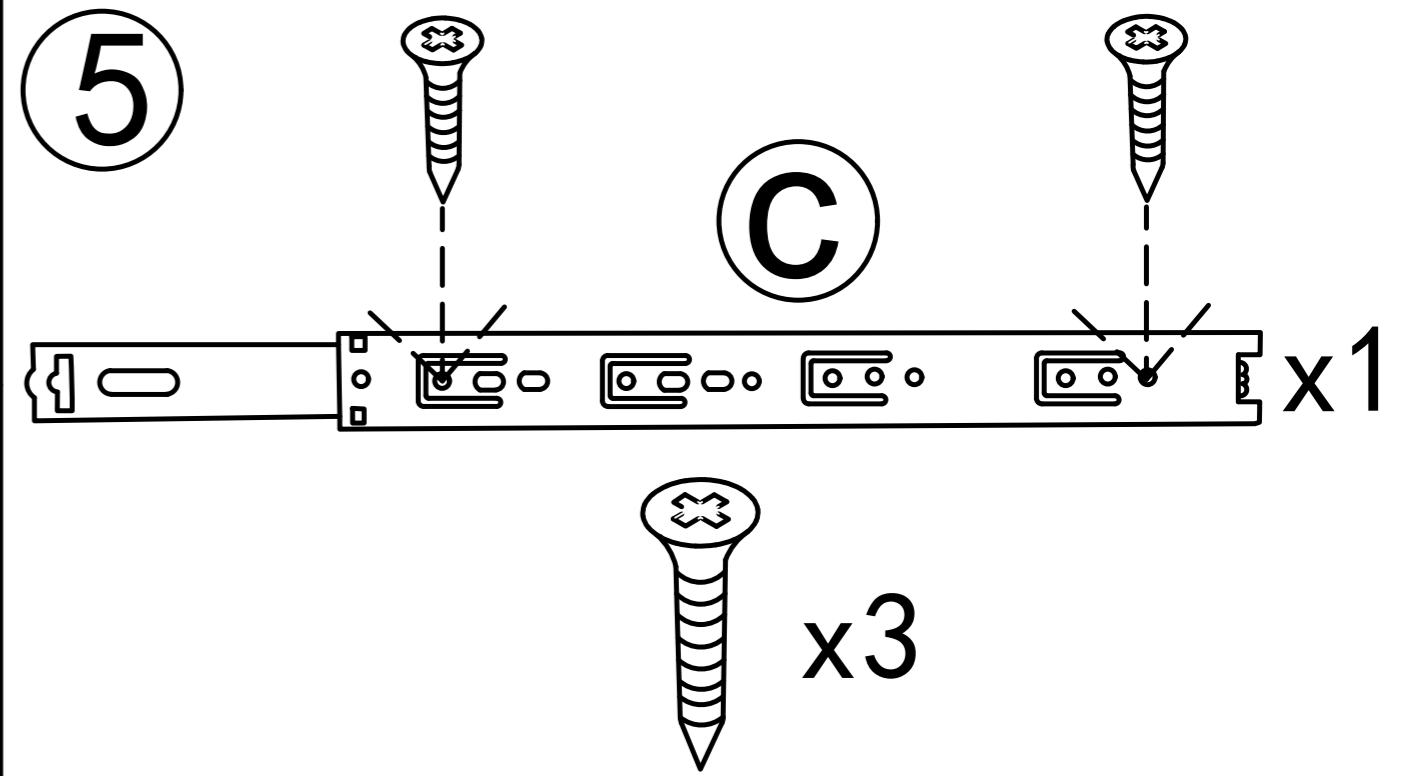


Step 16

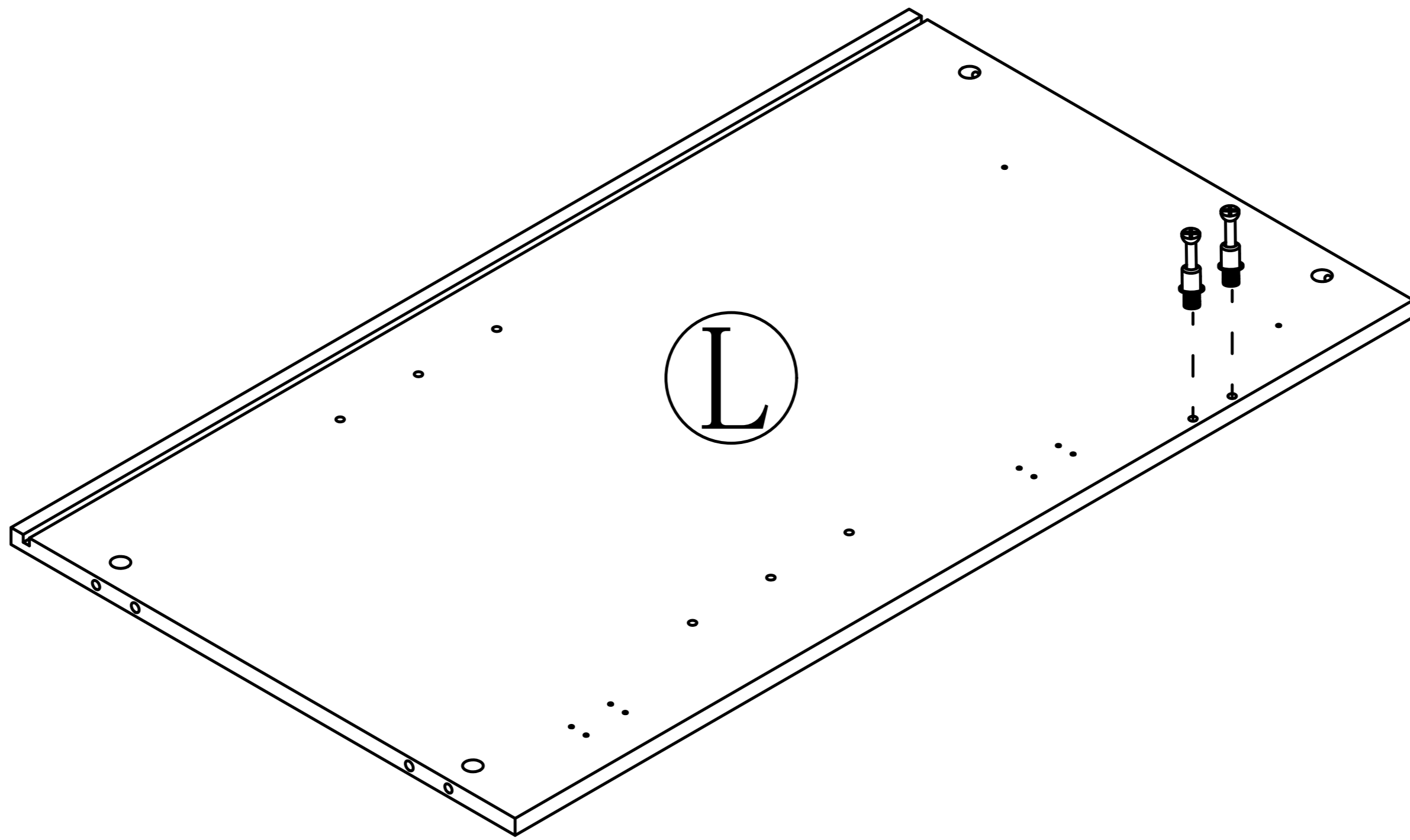
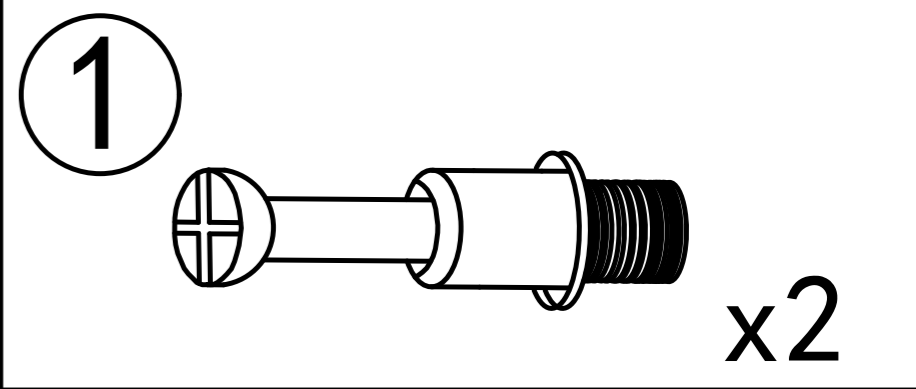


Step 17

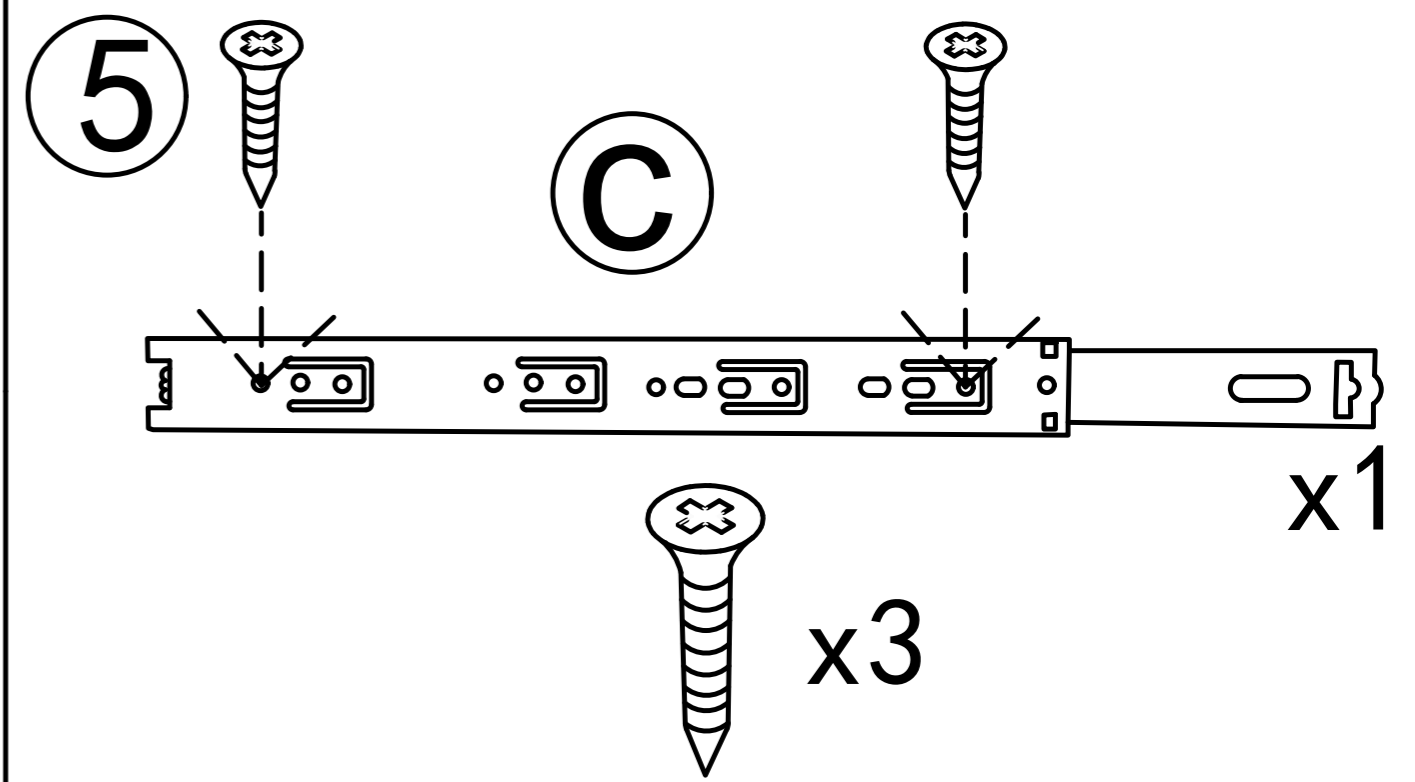
This hole is a reinforced fixing hole which can be installed as required



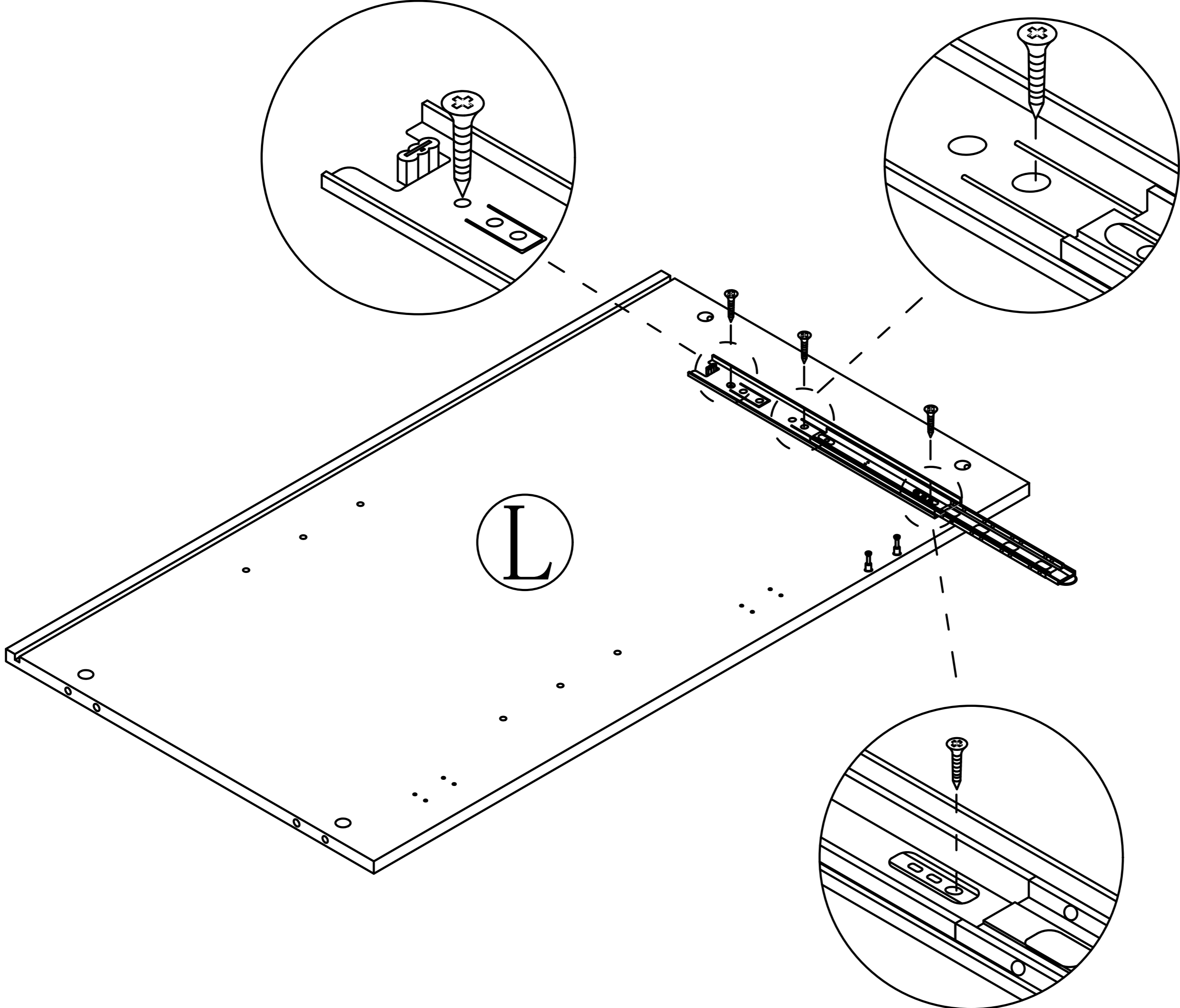
Step 18



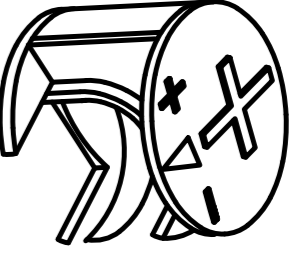
Step 19

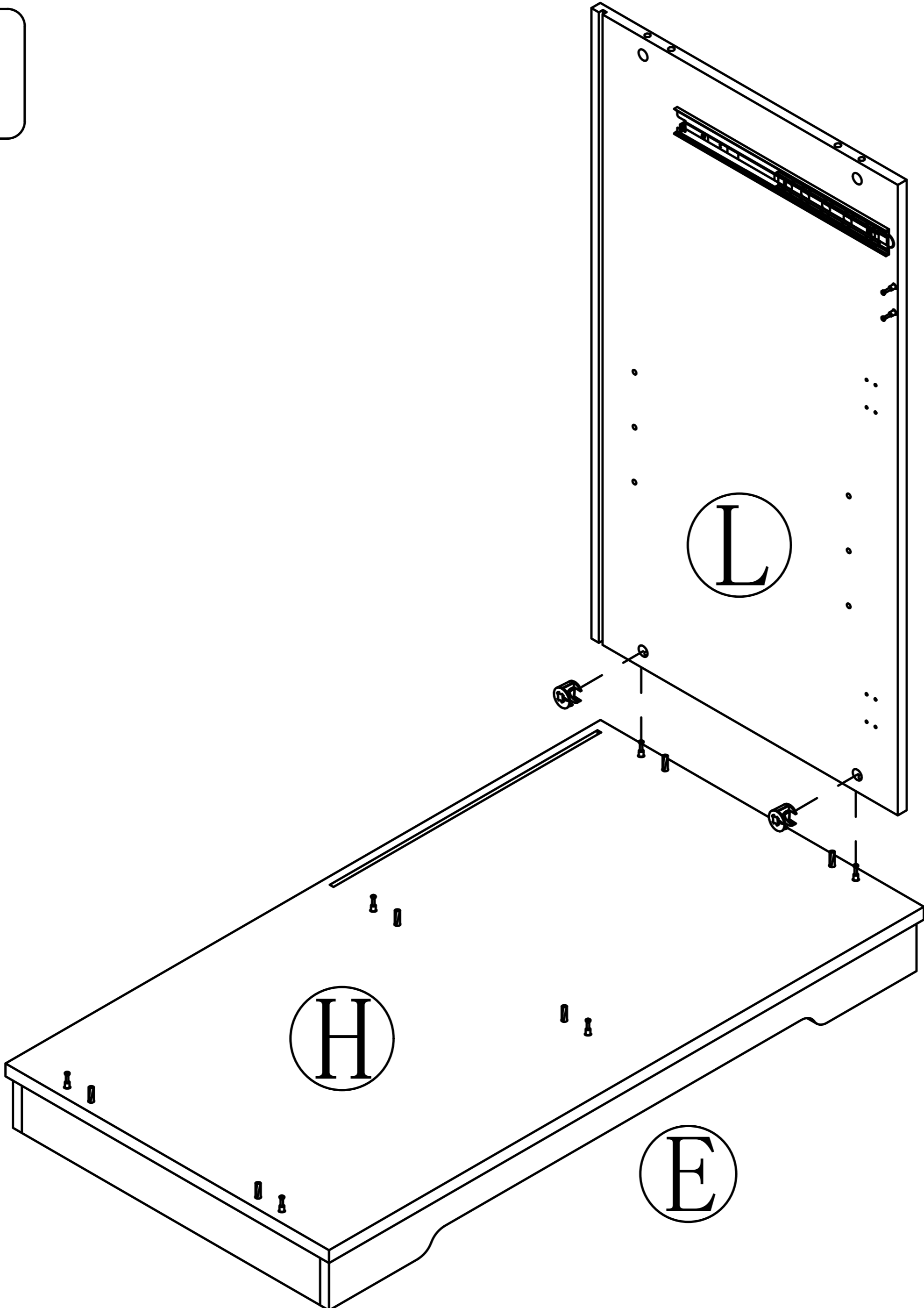


This hole is a reinforced fixing hole which can be installed as required

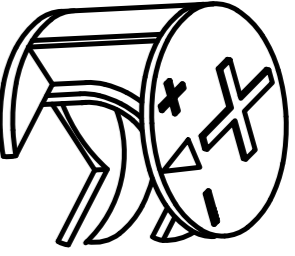


Step 20

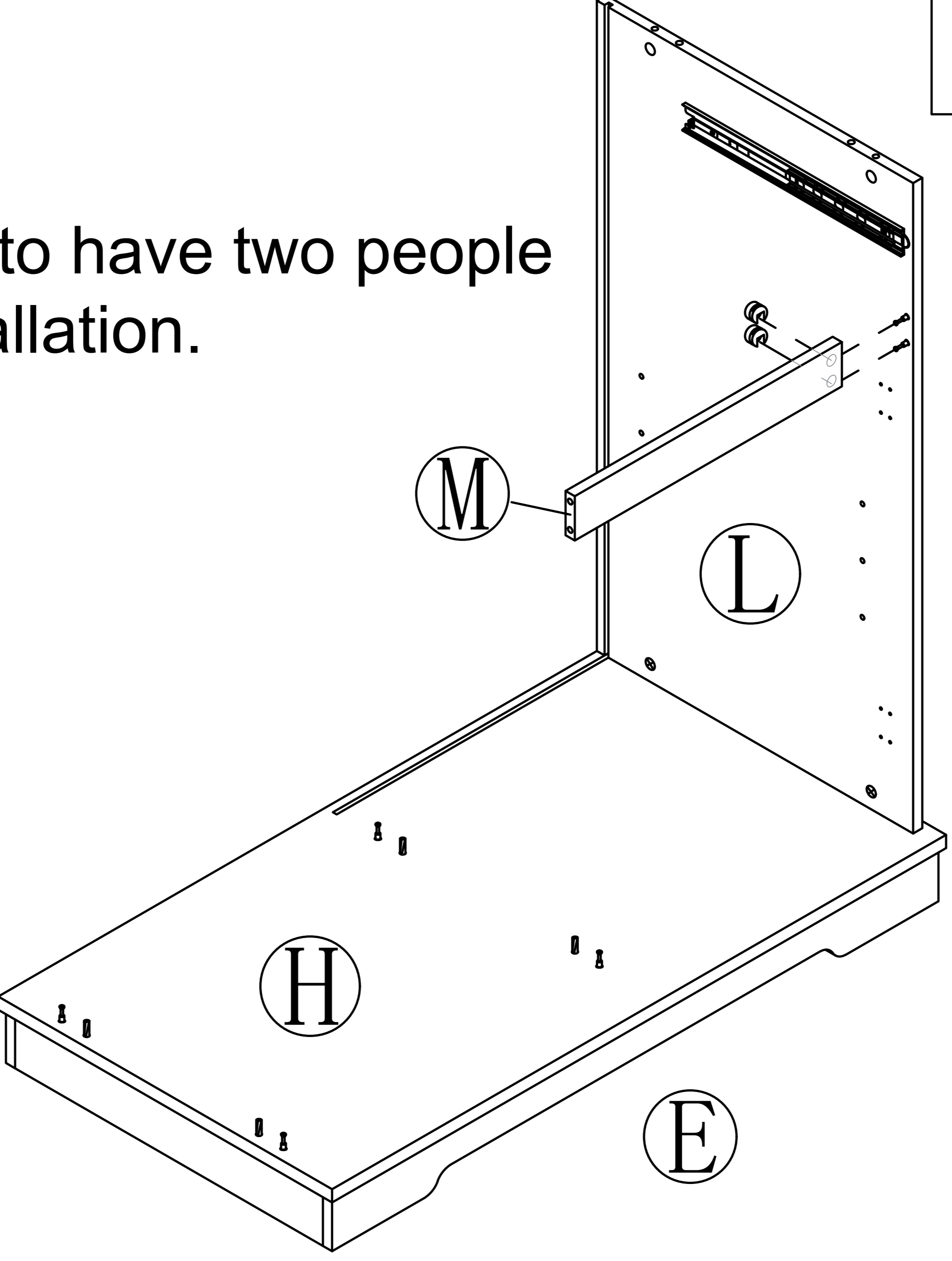
2  x2



Step 21

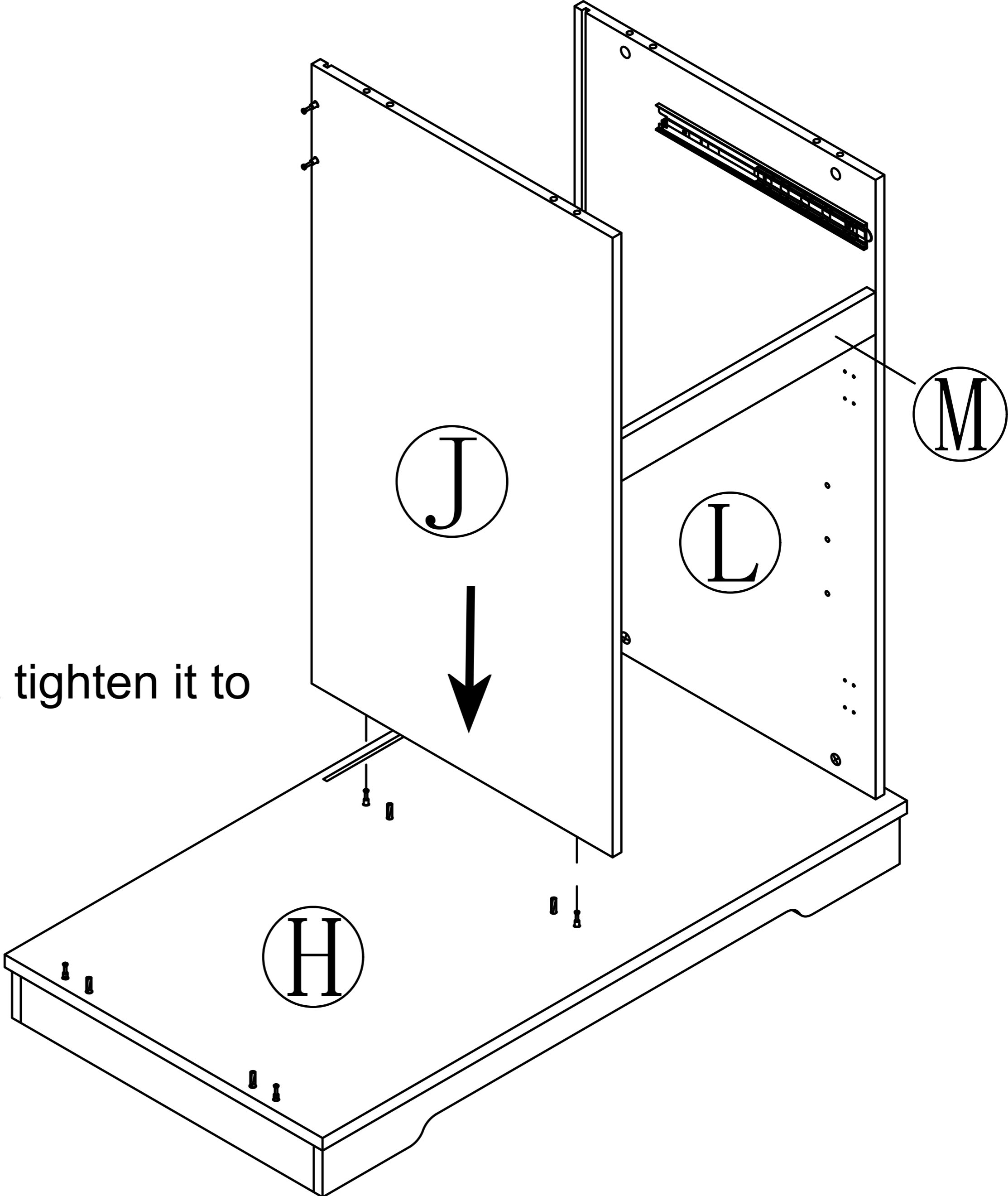
2  x2

It is recommended to have two people assist with the installation.

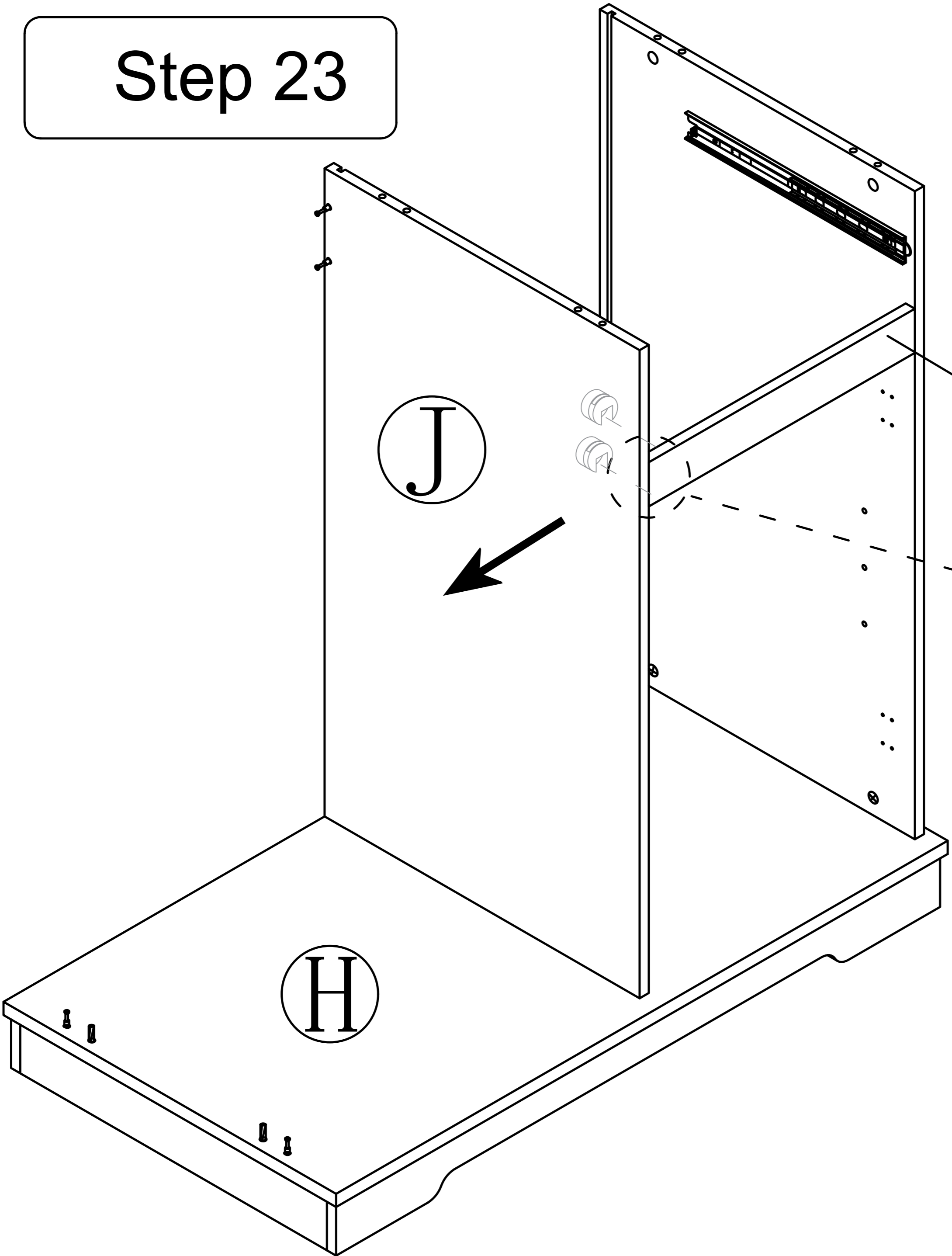
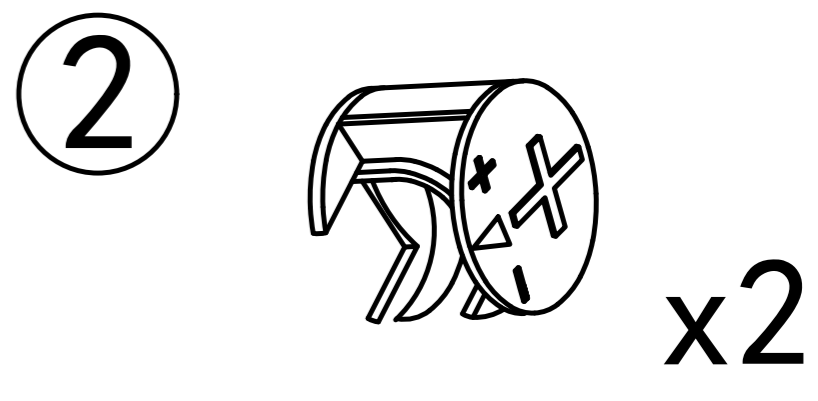


# Step 22

Insert Panel J into Panel H, but do not tighten it to facilitate subsequent installation.

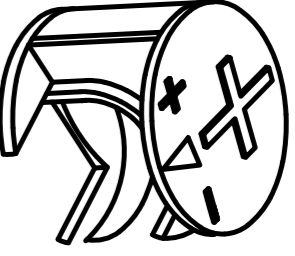


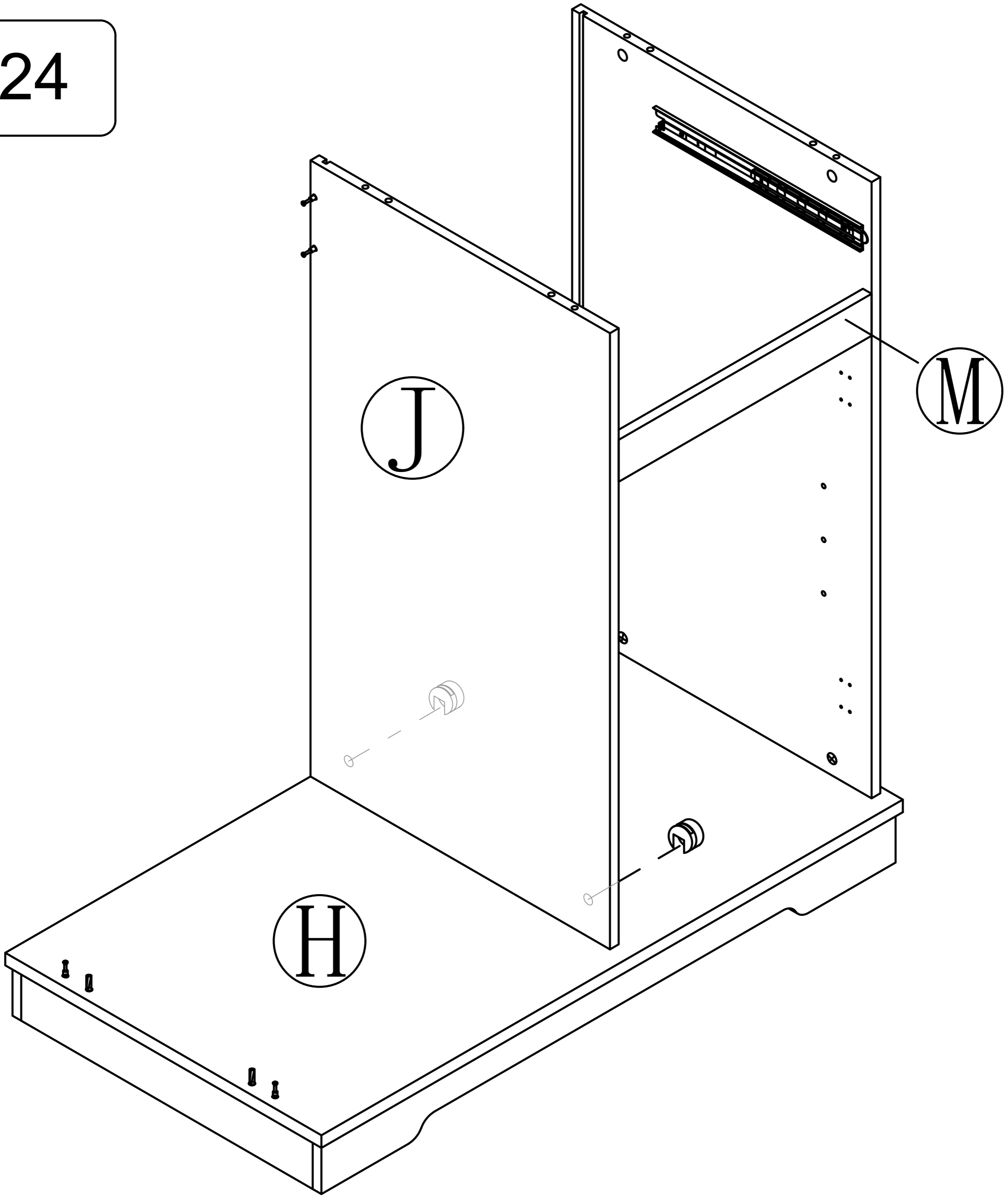
# Step 23



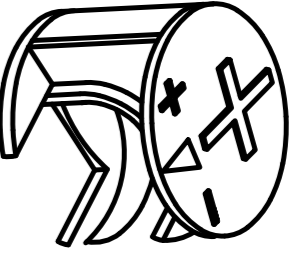
1. Bend the J plate a little outward to facilitate the installation of the M plate

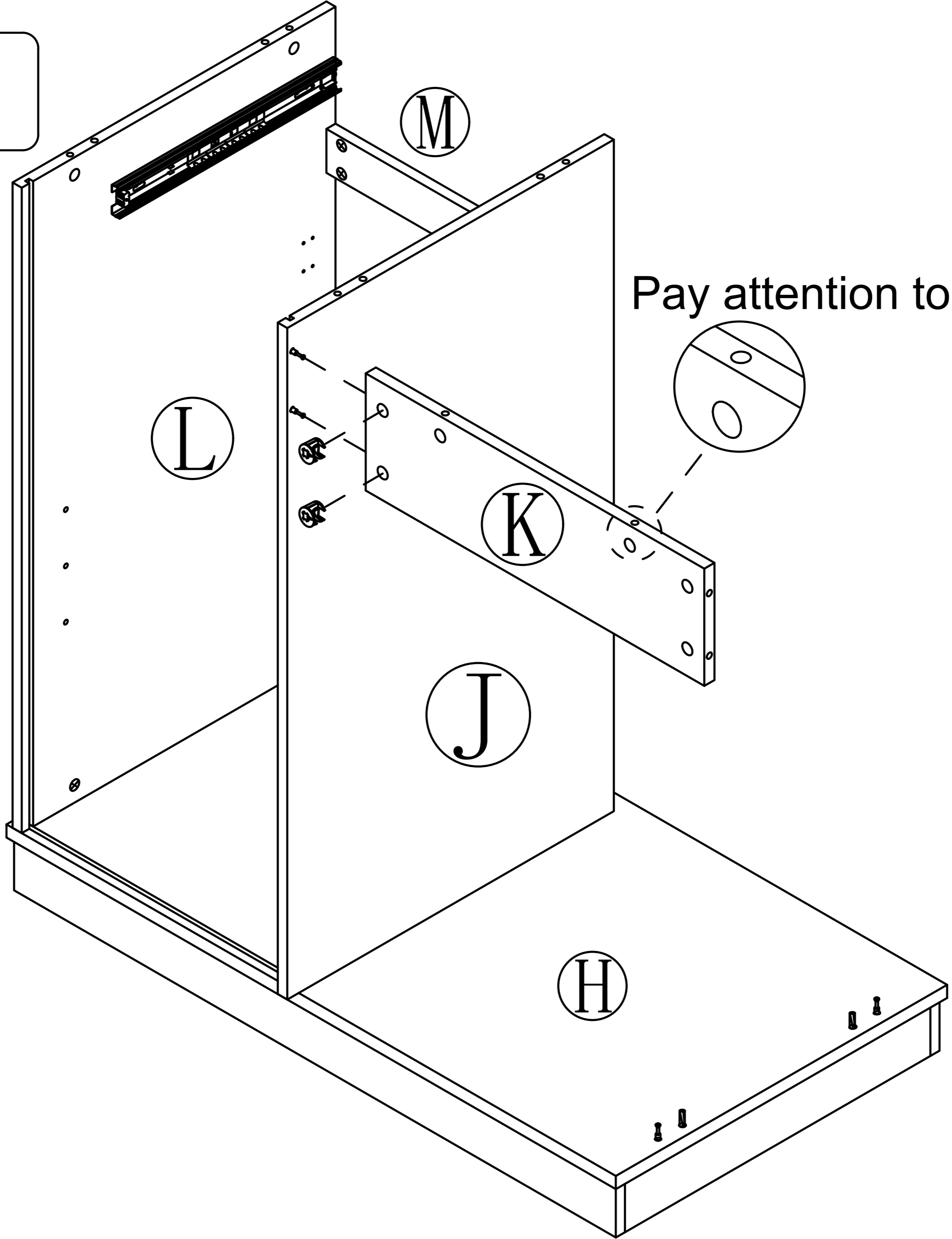
Step 24

2  x2

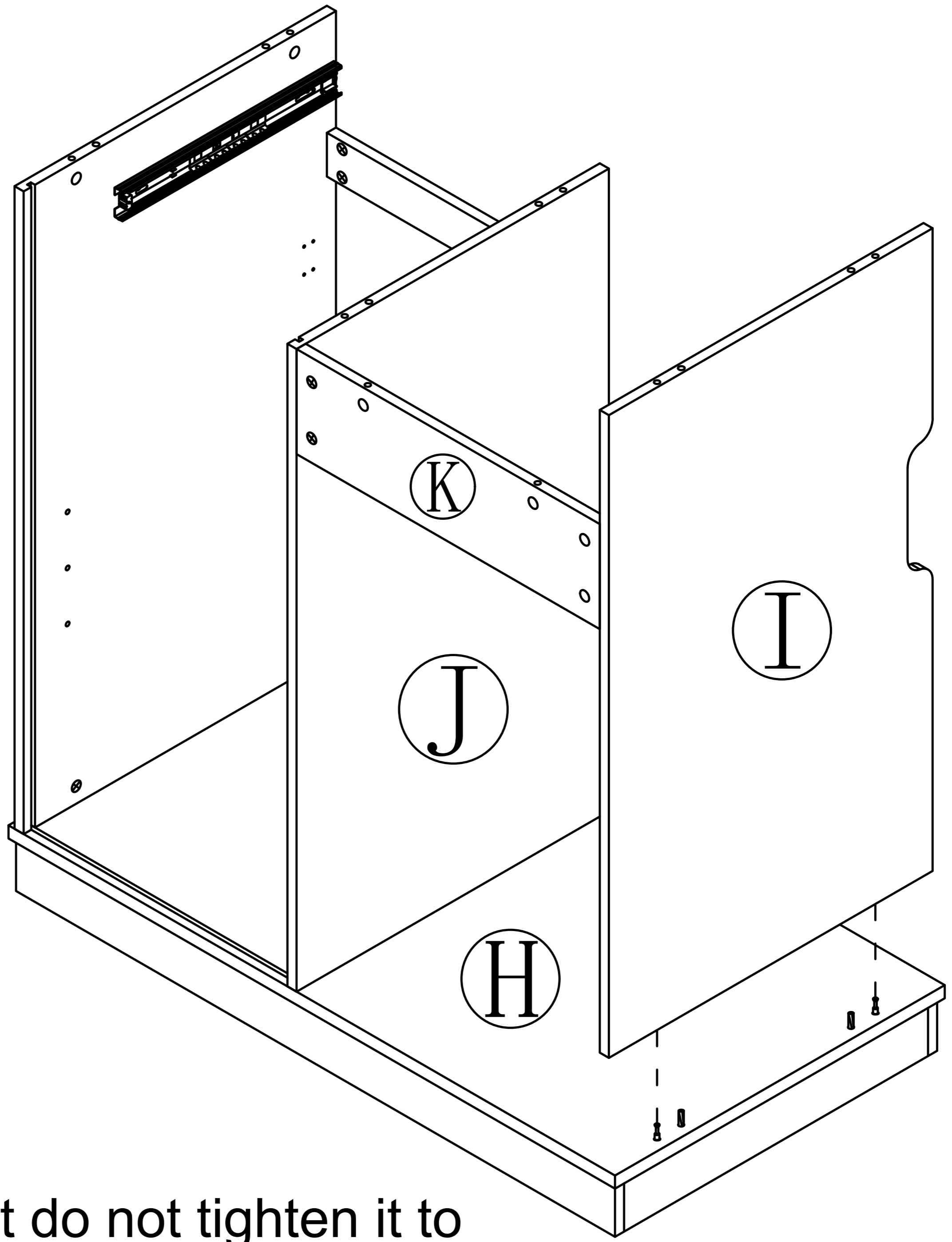


Step 25

2  x2

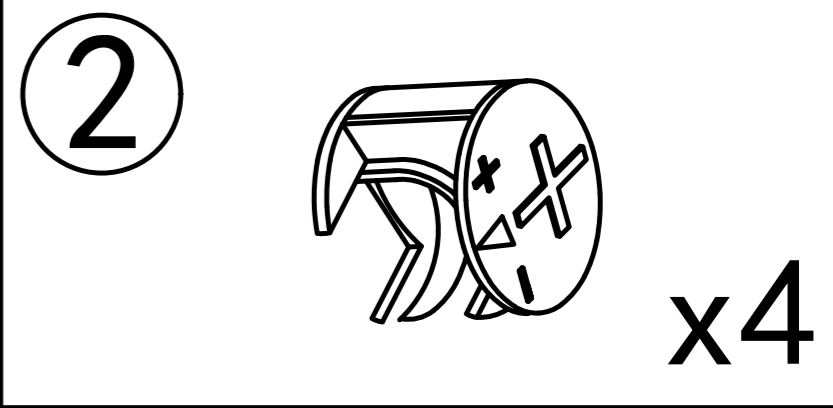


Step 26

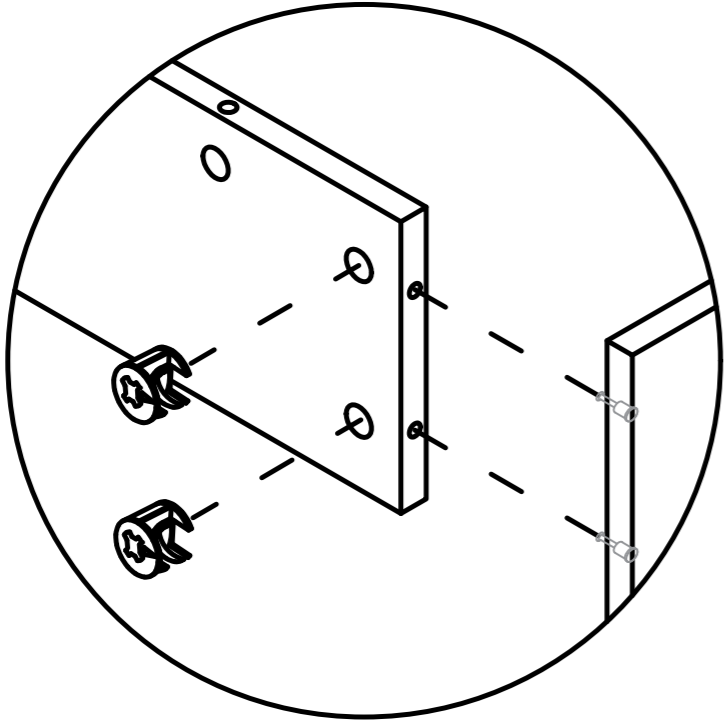


Insert Panel I into Panel H, but do not tighten it to facilitate subsequent installation.

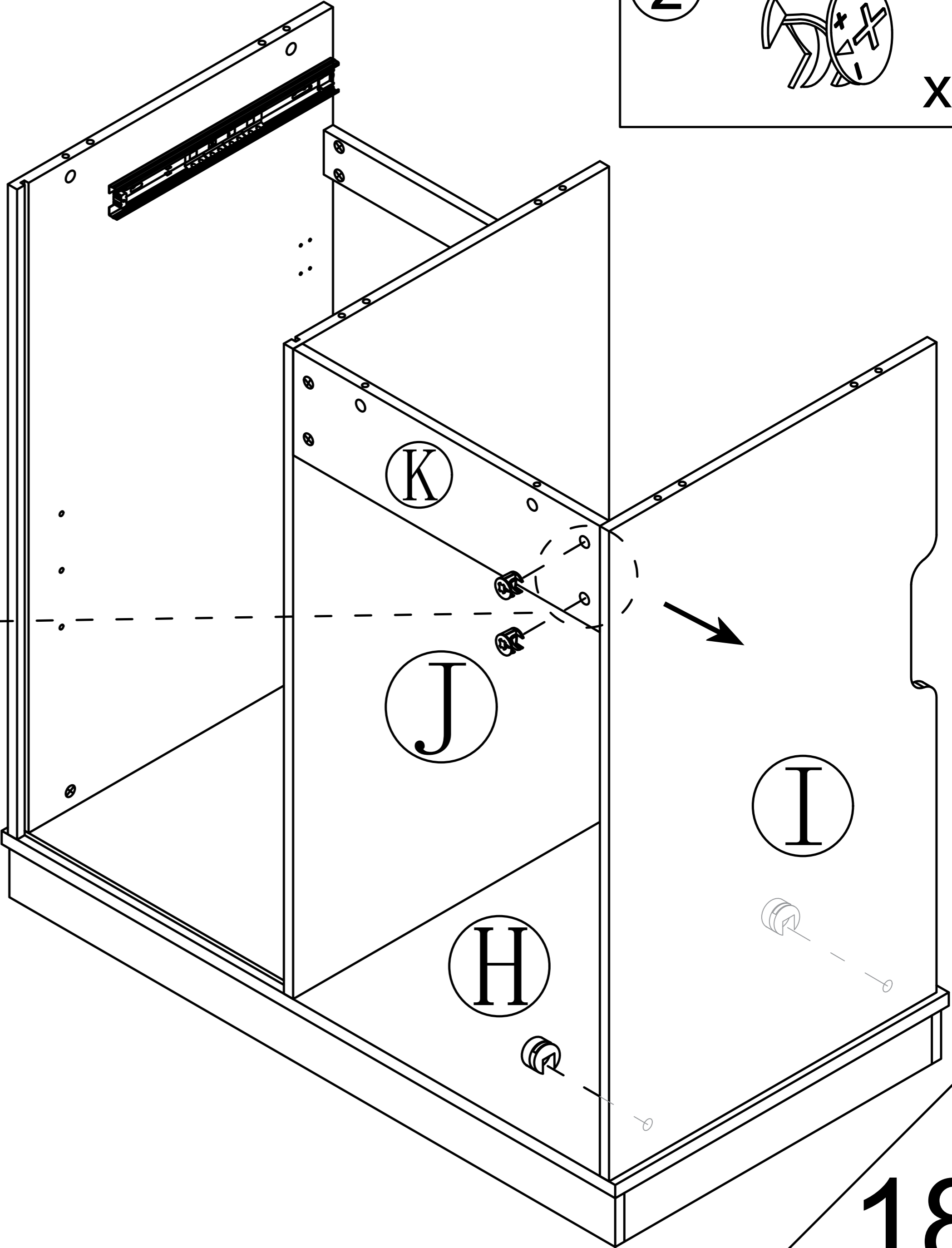
Step 27



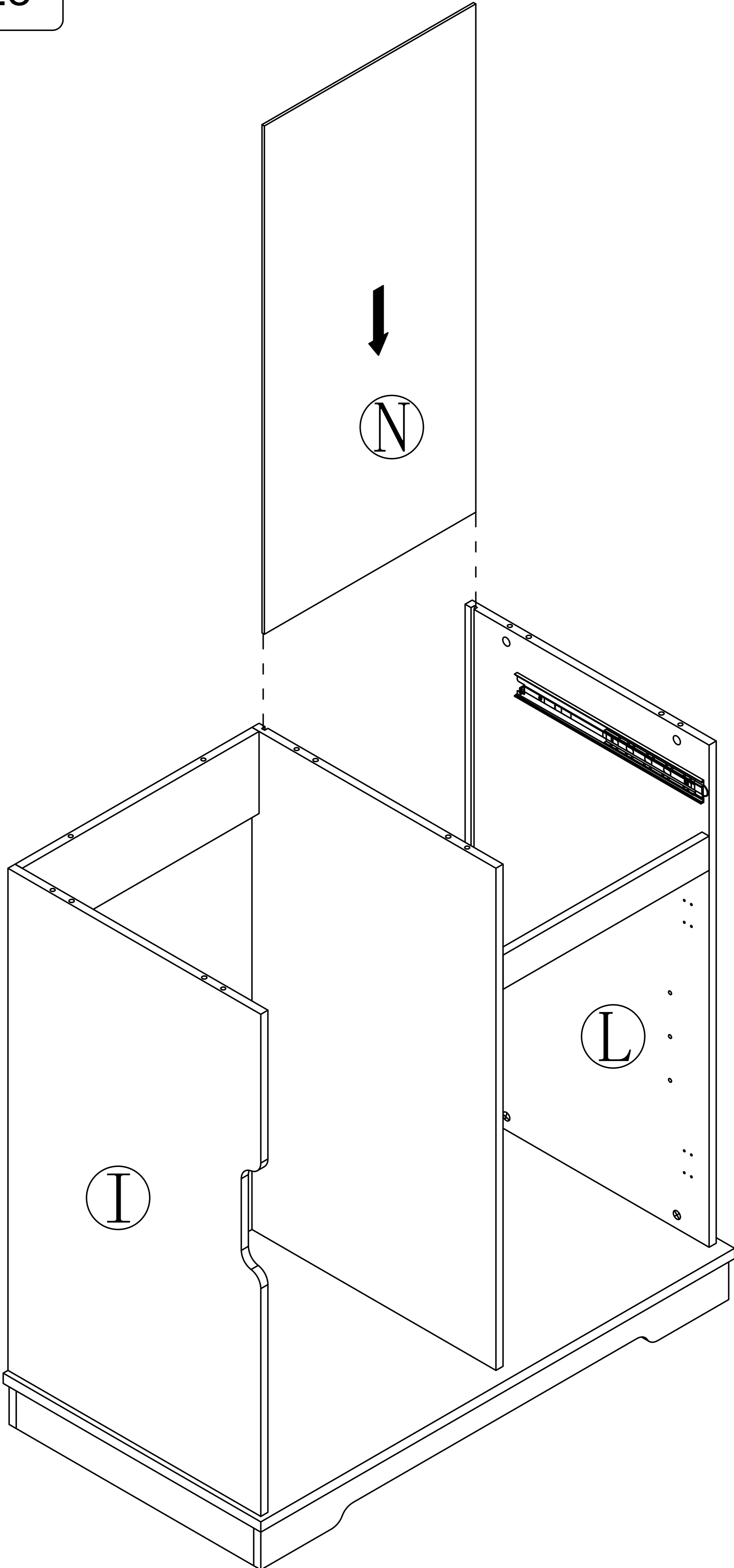
1. Bend the I plate a little outward to facilitate the installation of the K plate



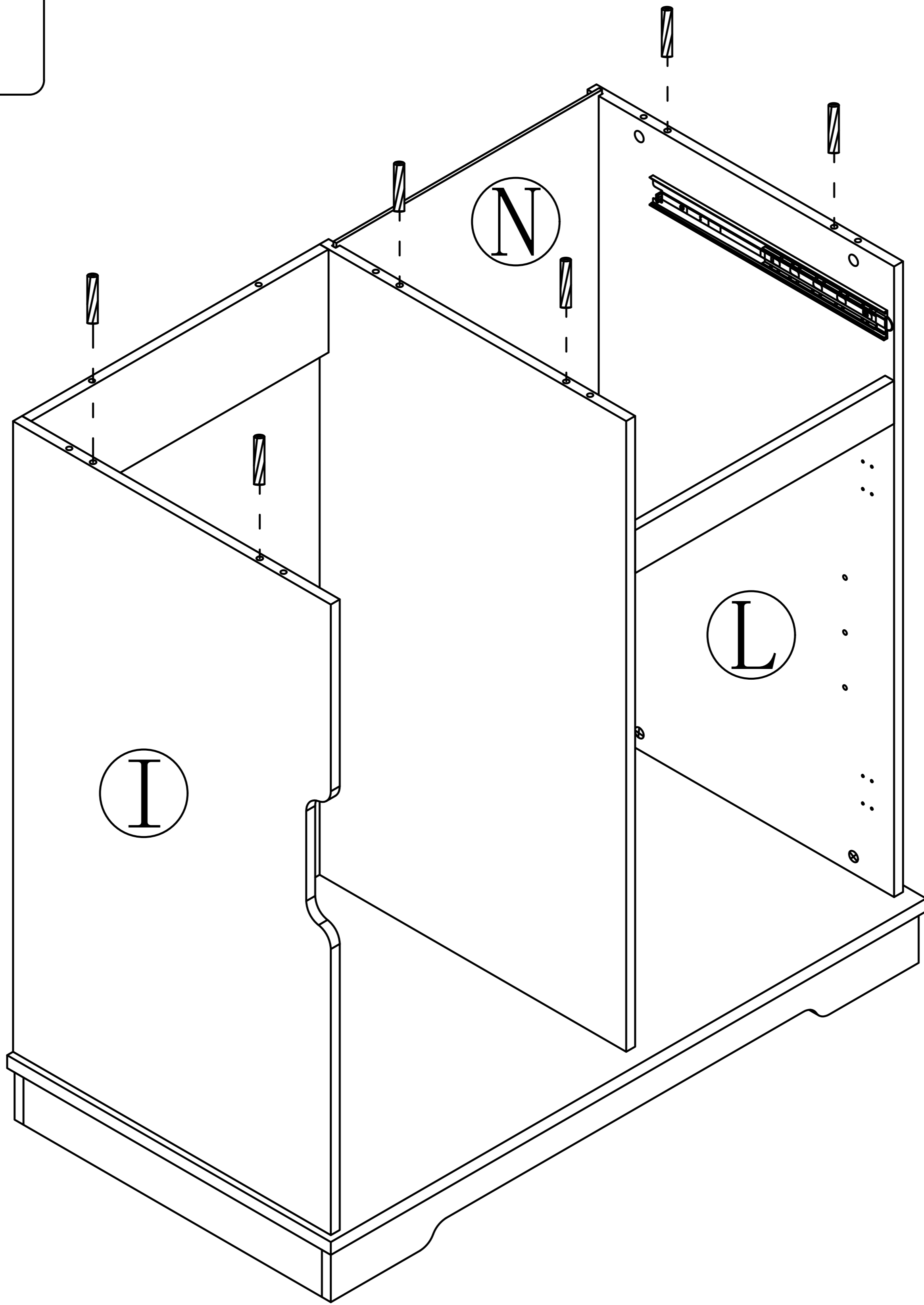
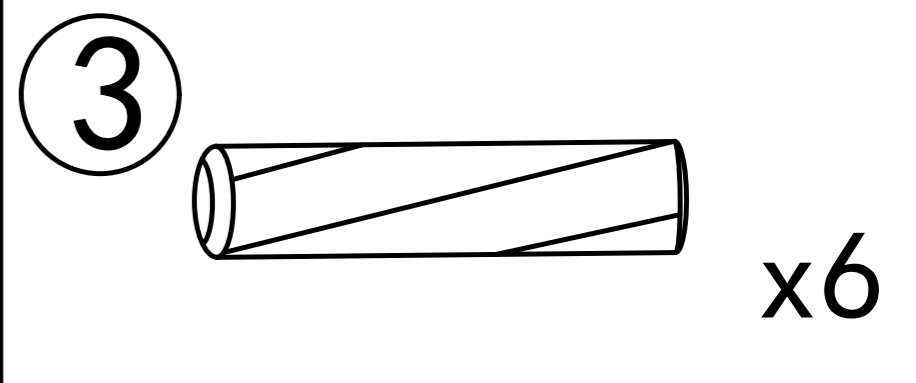
2. Lock nut



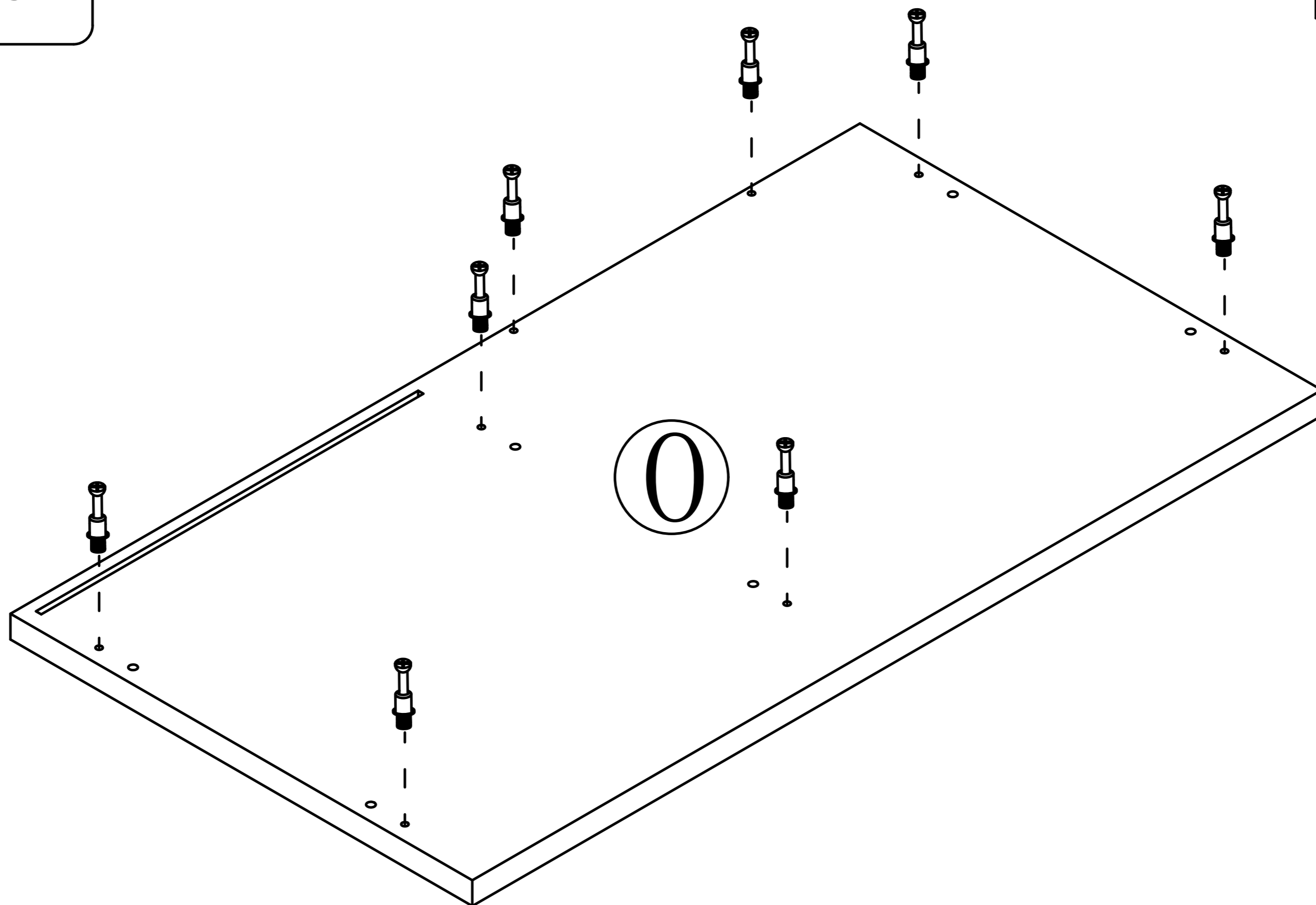
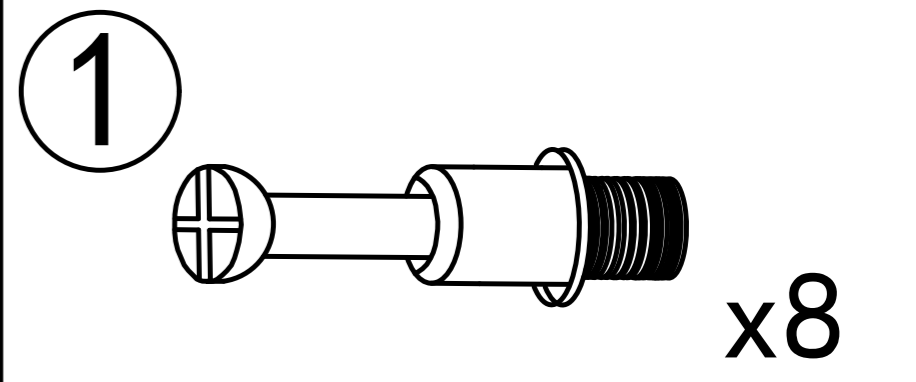
Step 28



Step 29

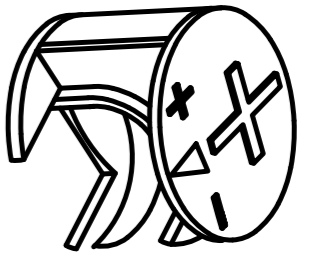


Step 30

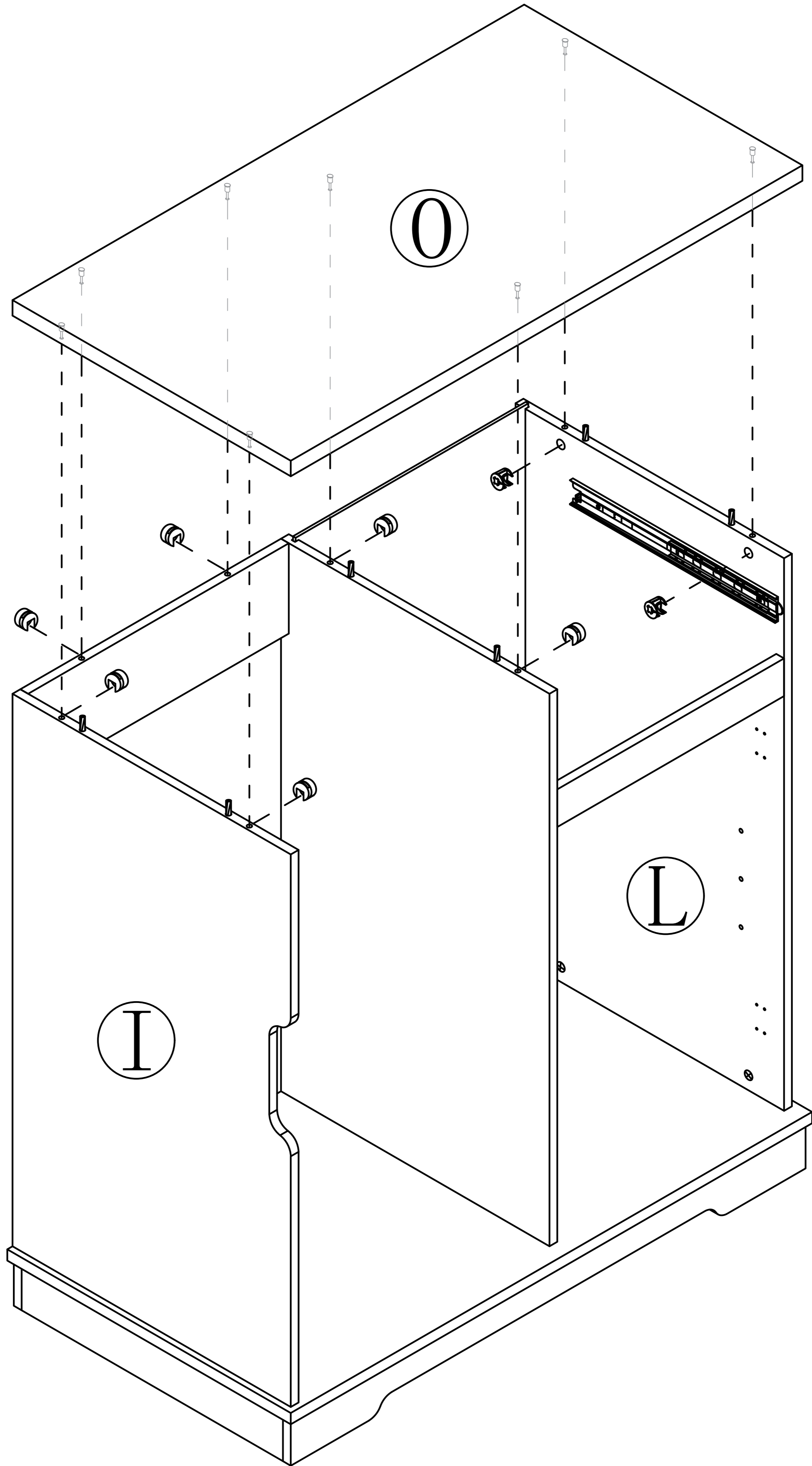


Step 31

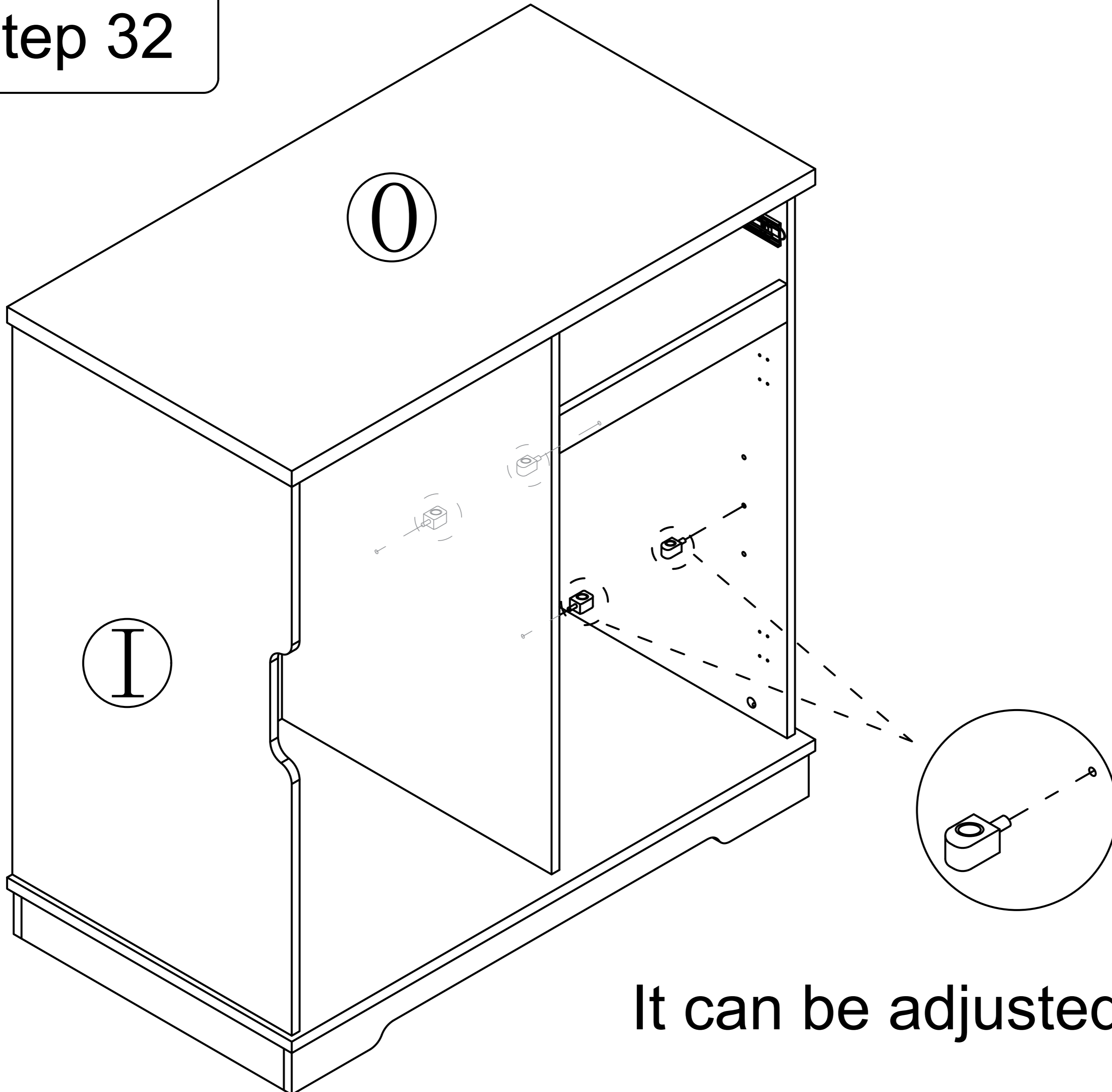
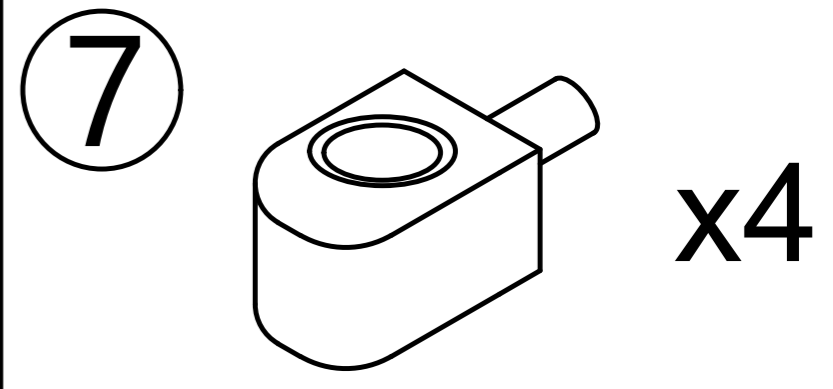
2



x8

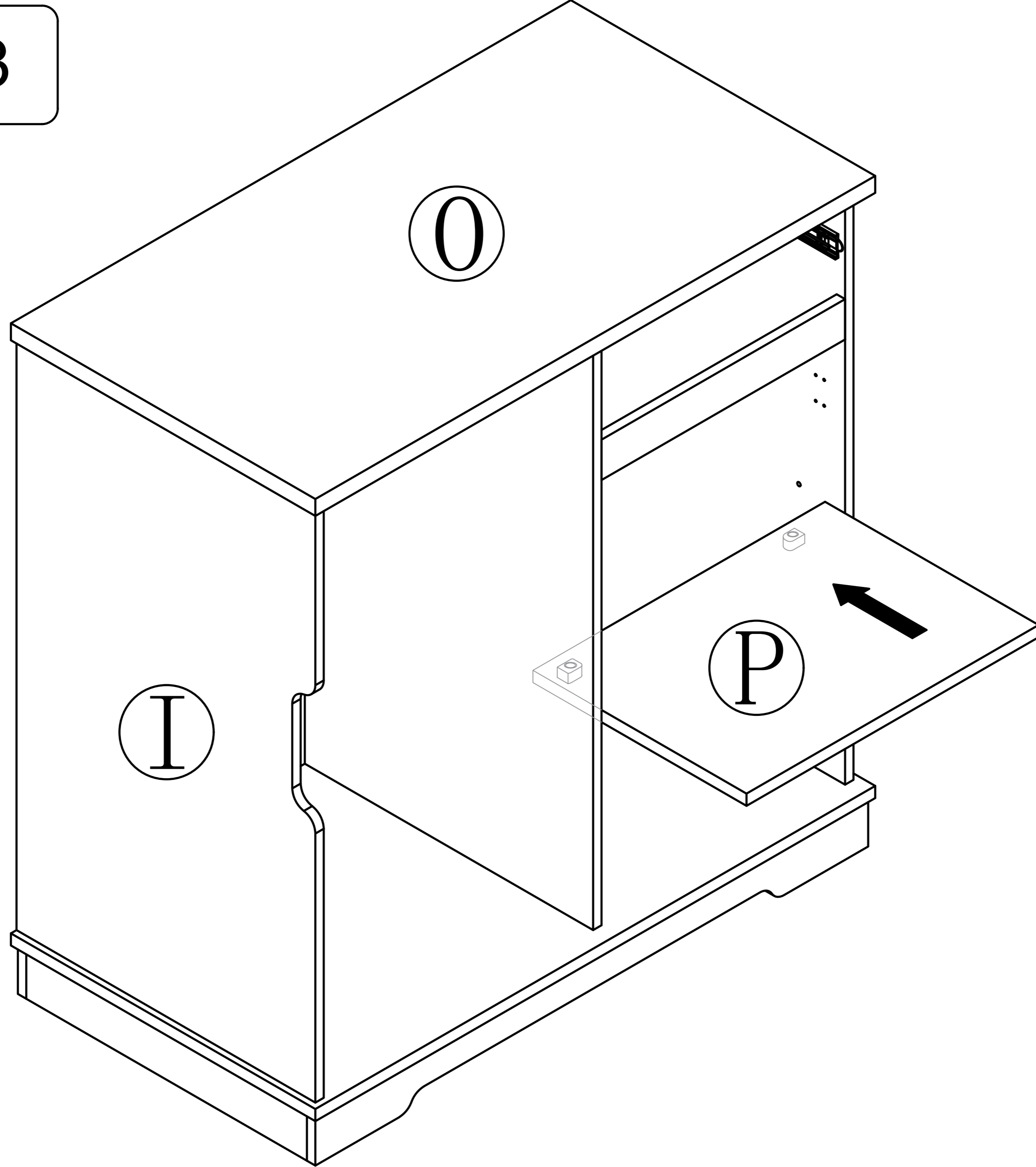


Step 32

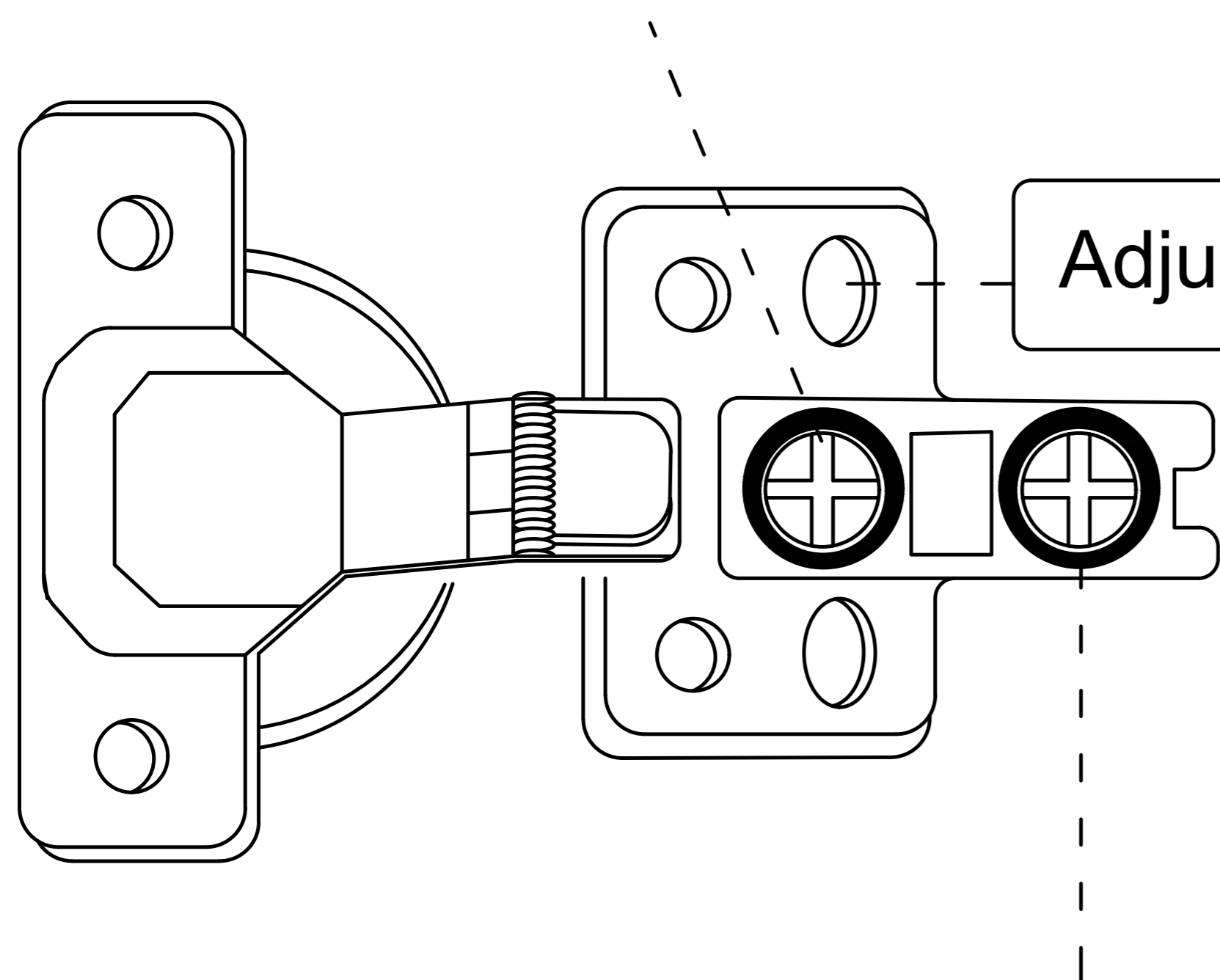


It can be adjusted up and down.

Step 33



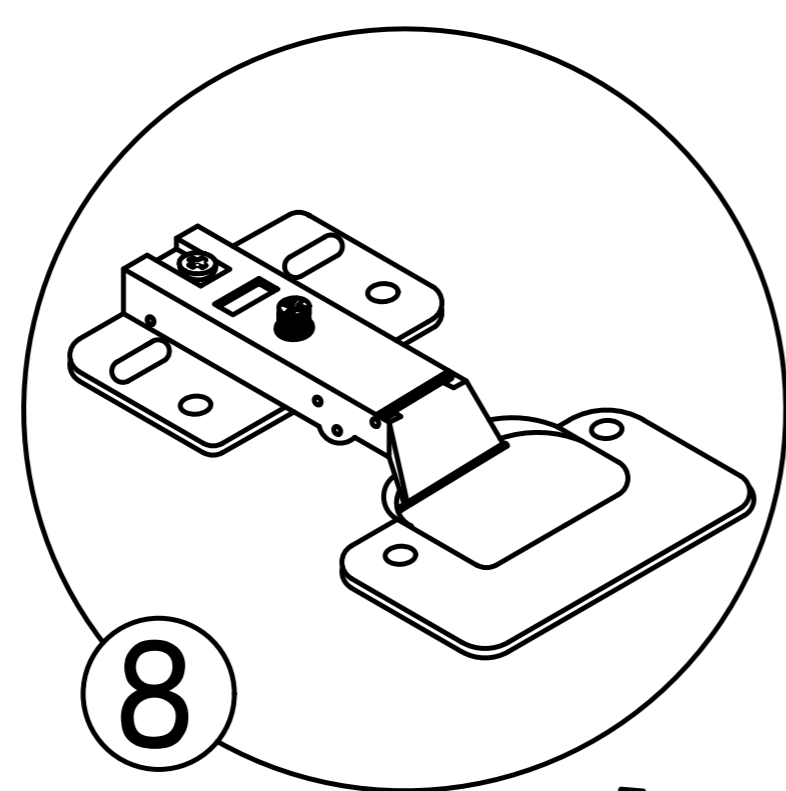
Turning this screw can effectively adjust the size of the door gap.



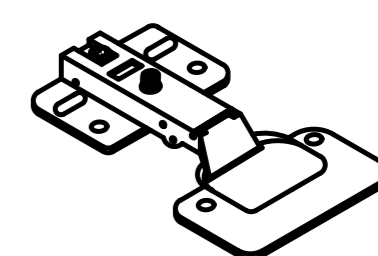
Adjust hole control the up and down height of the door

Turn this screw to adjust the door panel to be flat with the side panel.

### Step 34



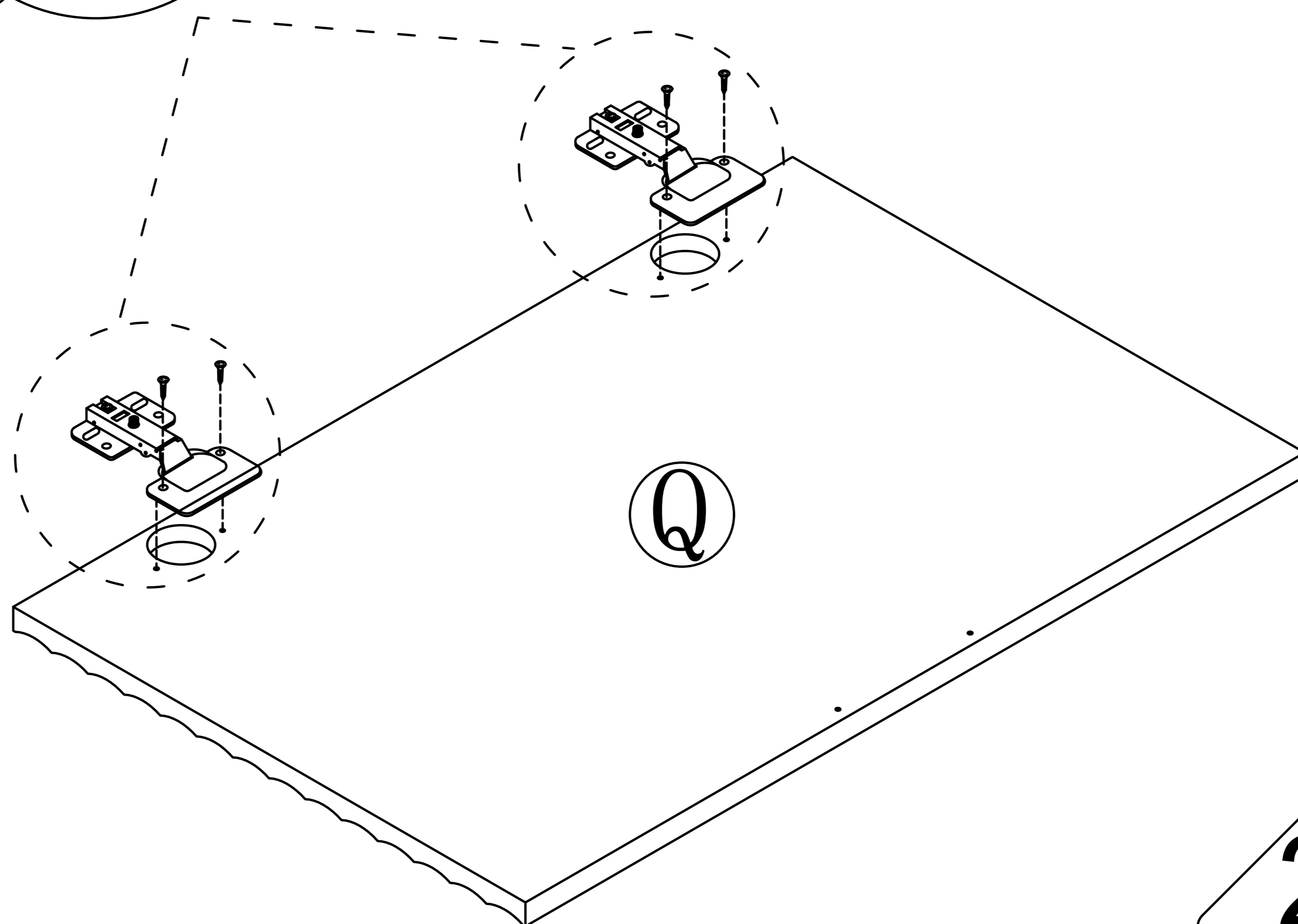
8



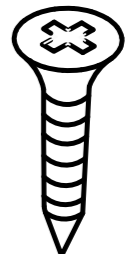
x2

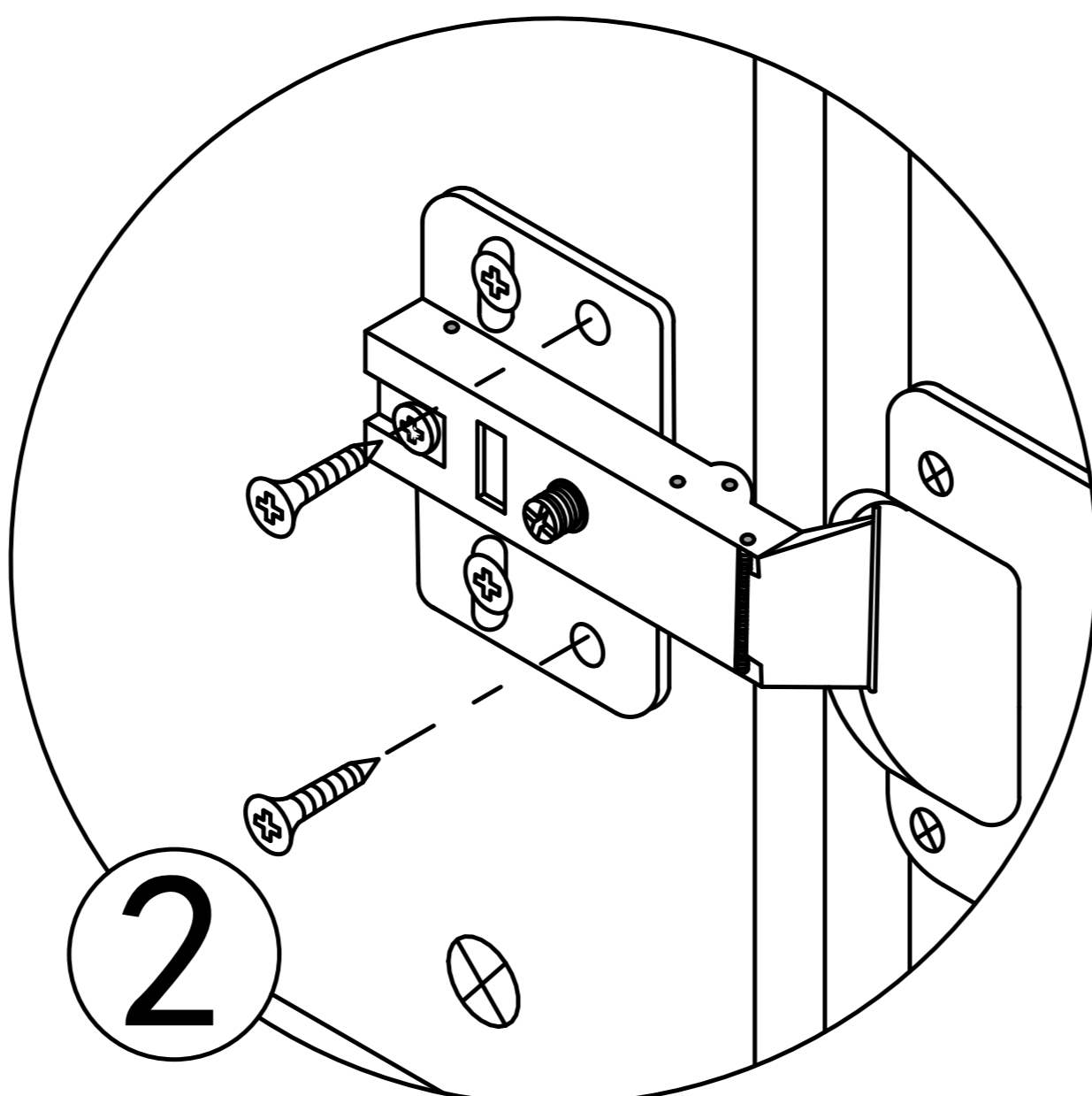
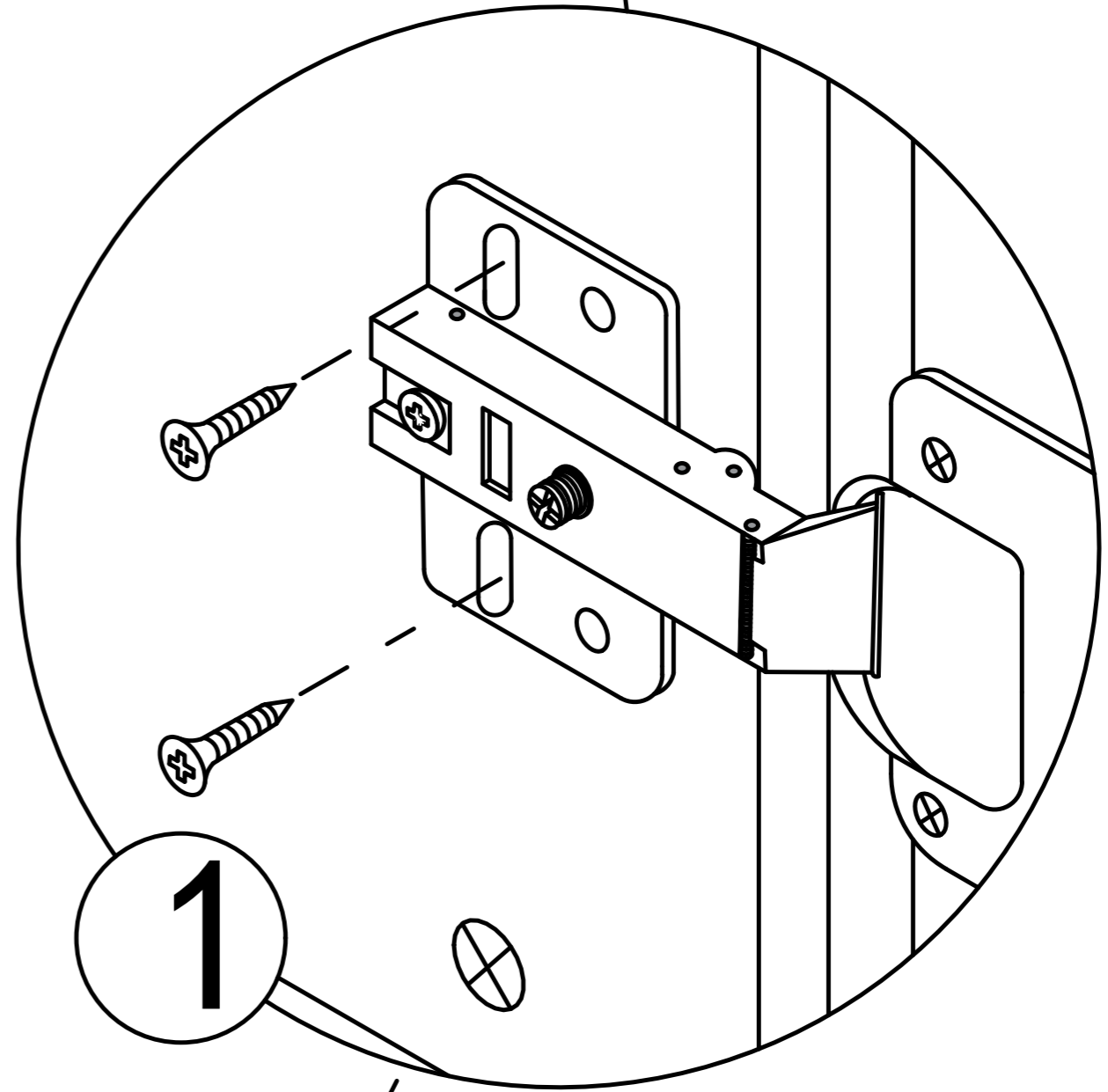
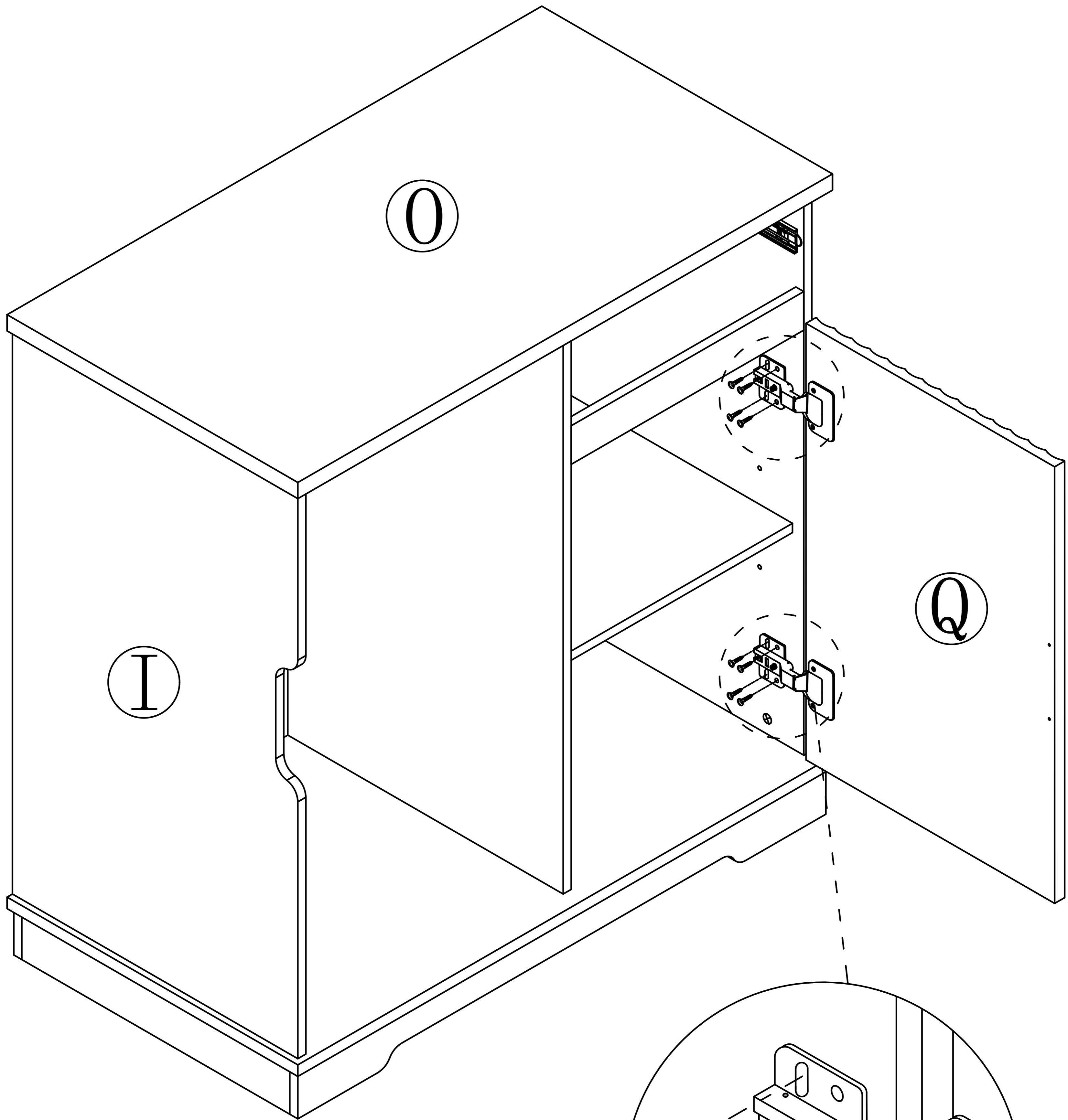


x4



Step 35

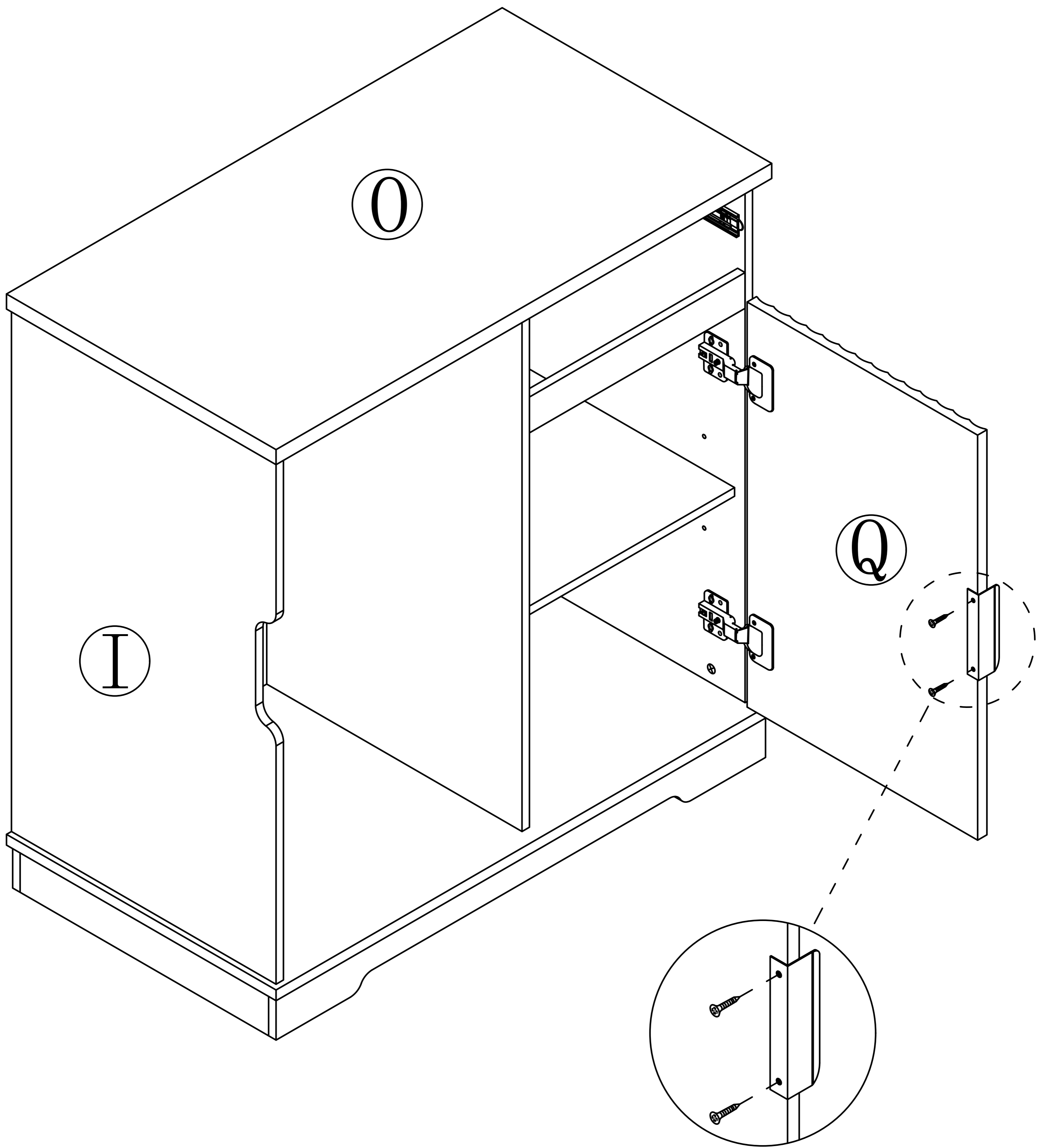
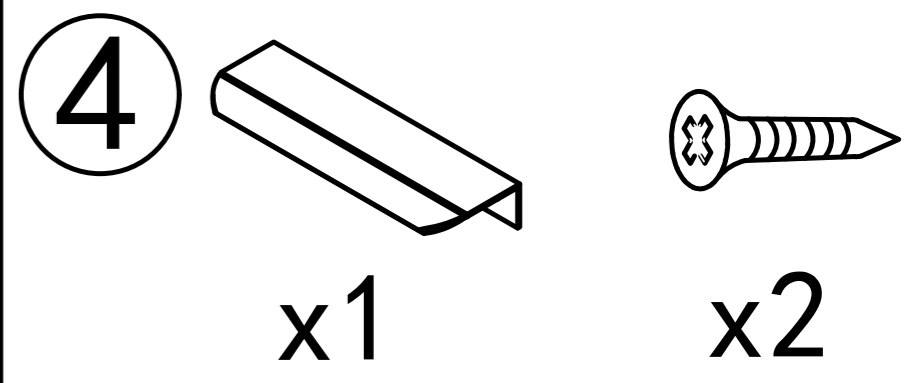
8  x8



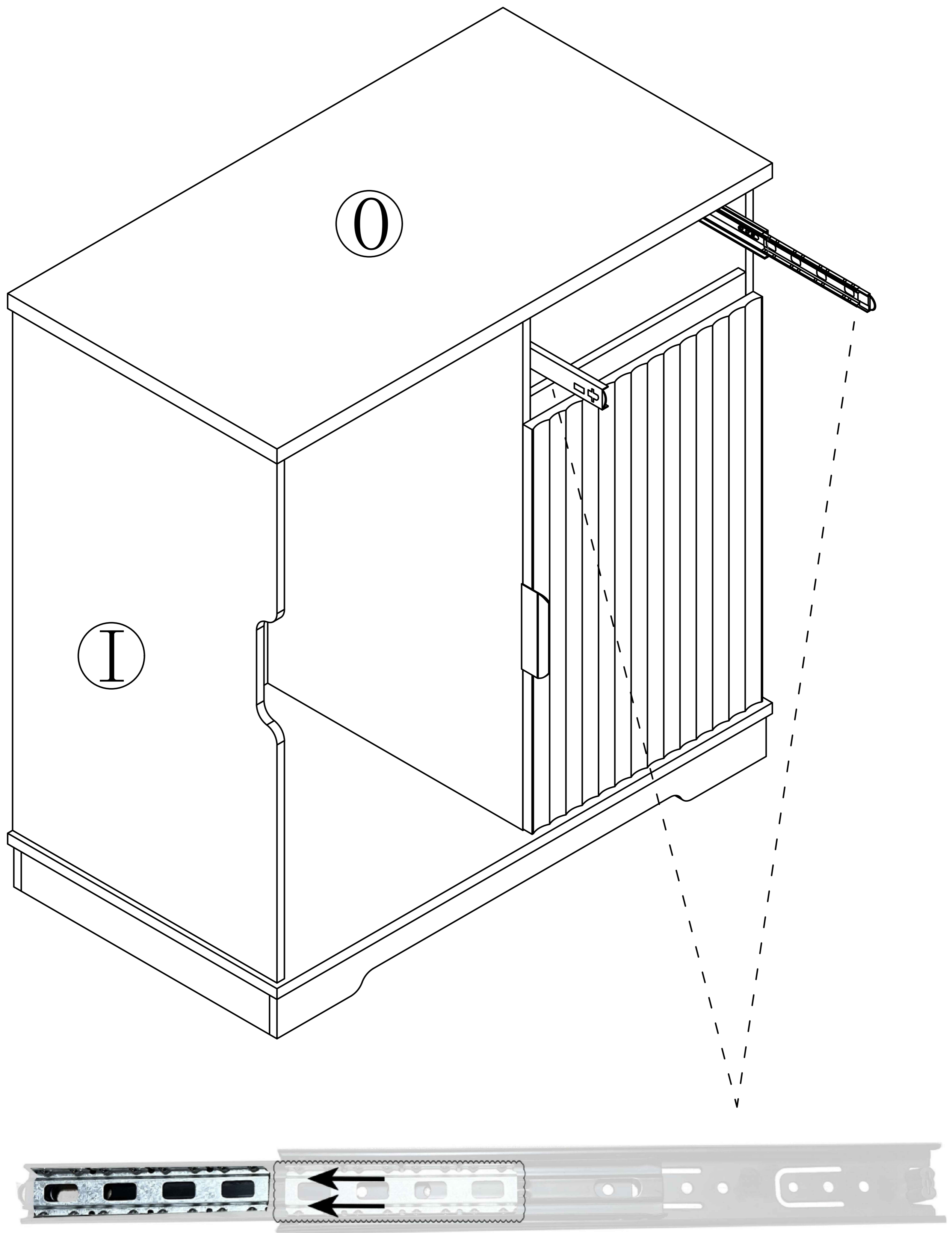
First lock the elliptical hole then lock the fixed hole

Step 36

4 x1 x2

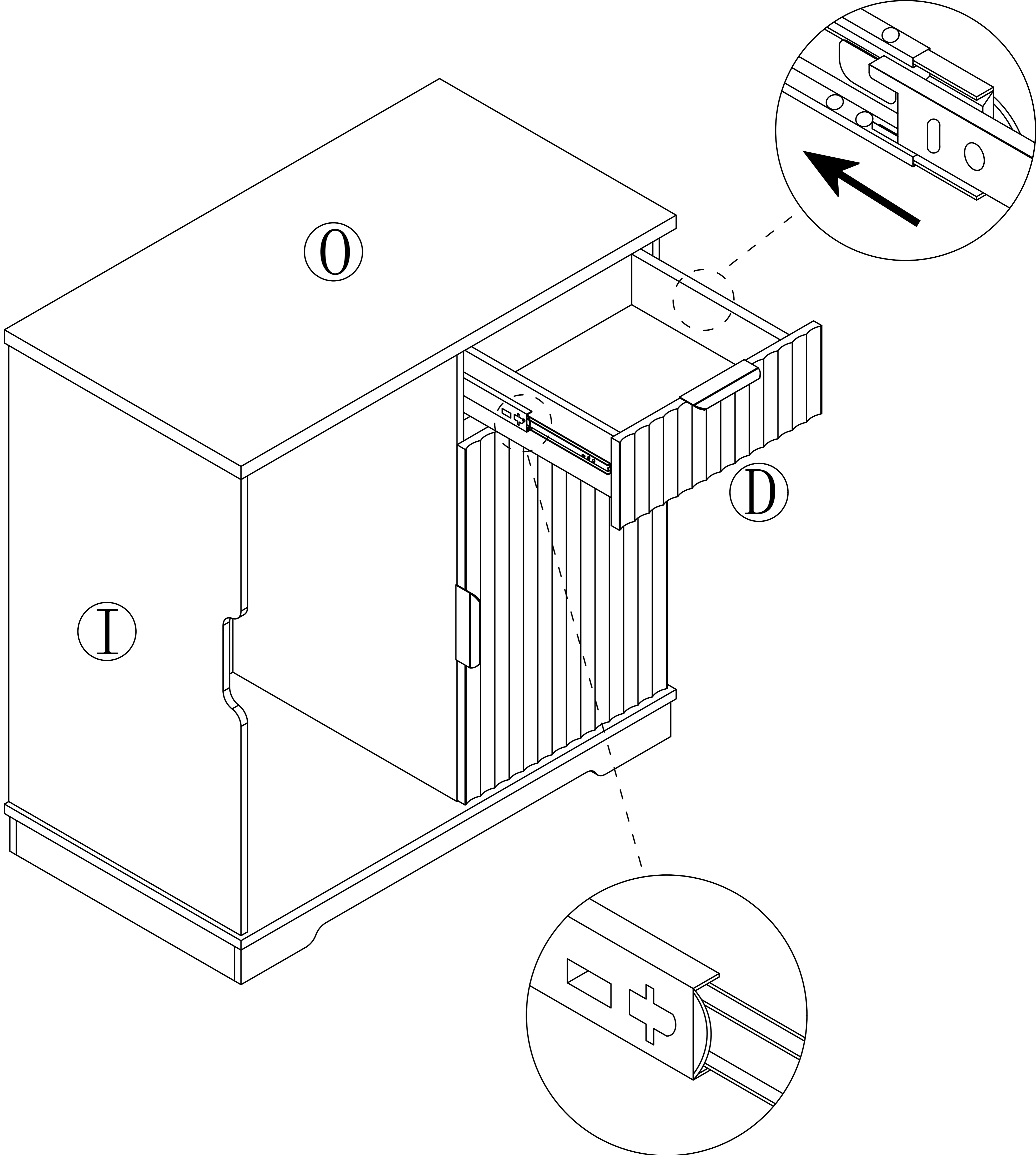


# Step 37

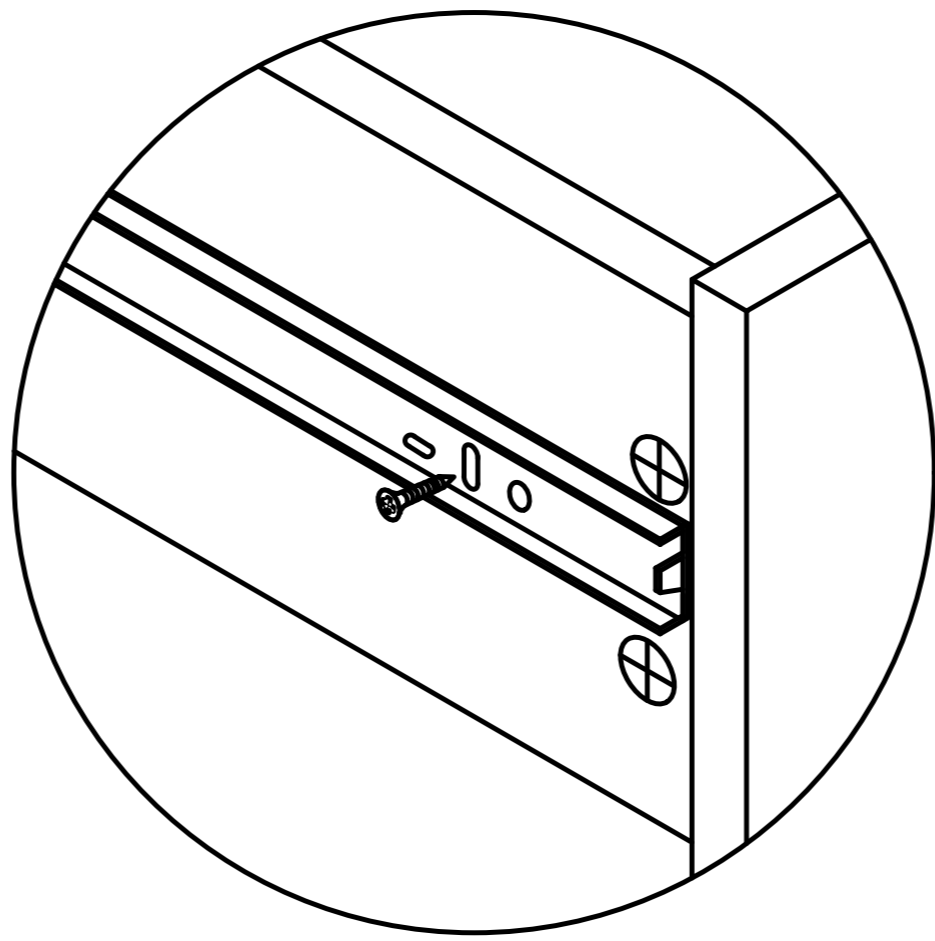
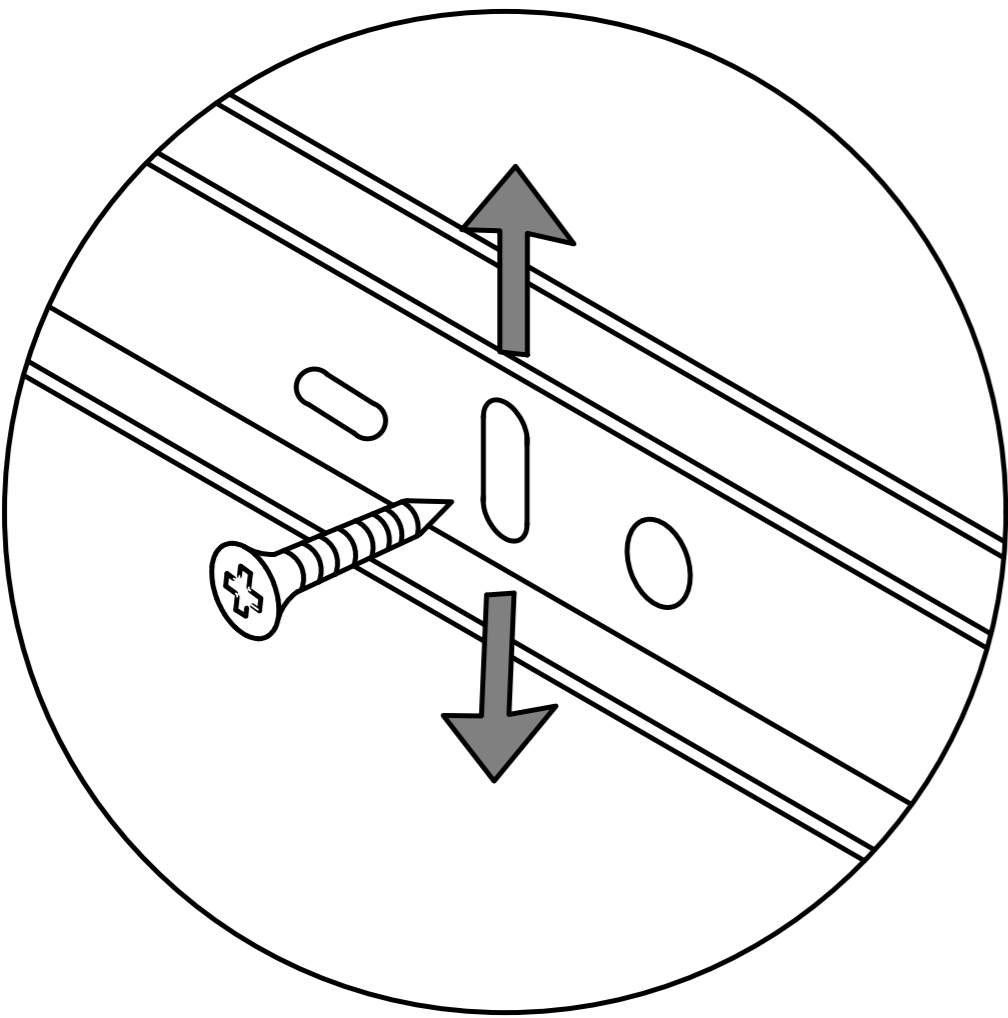
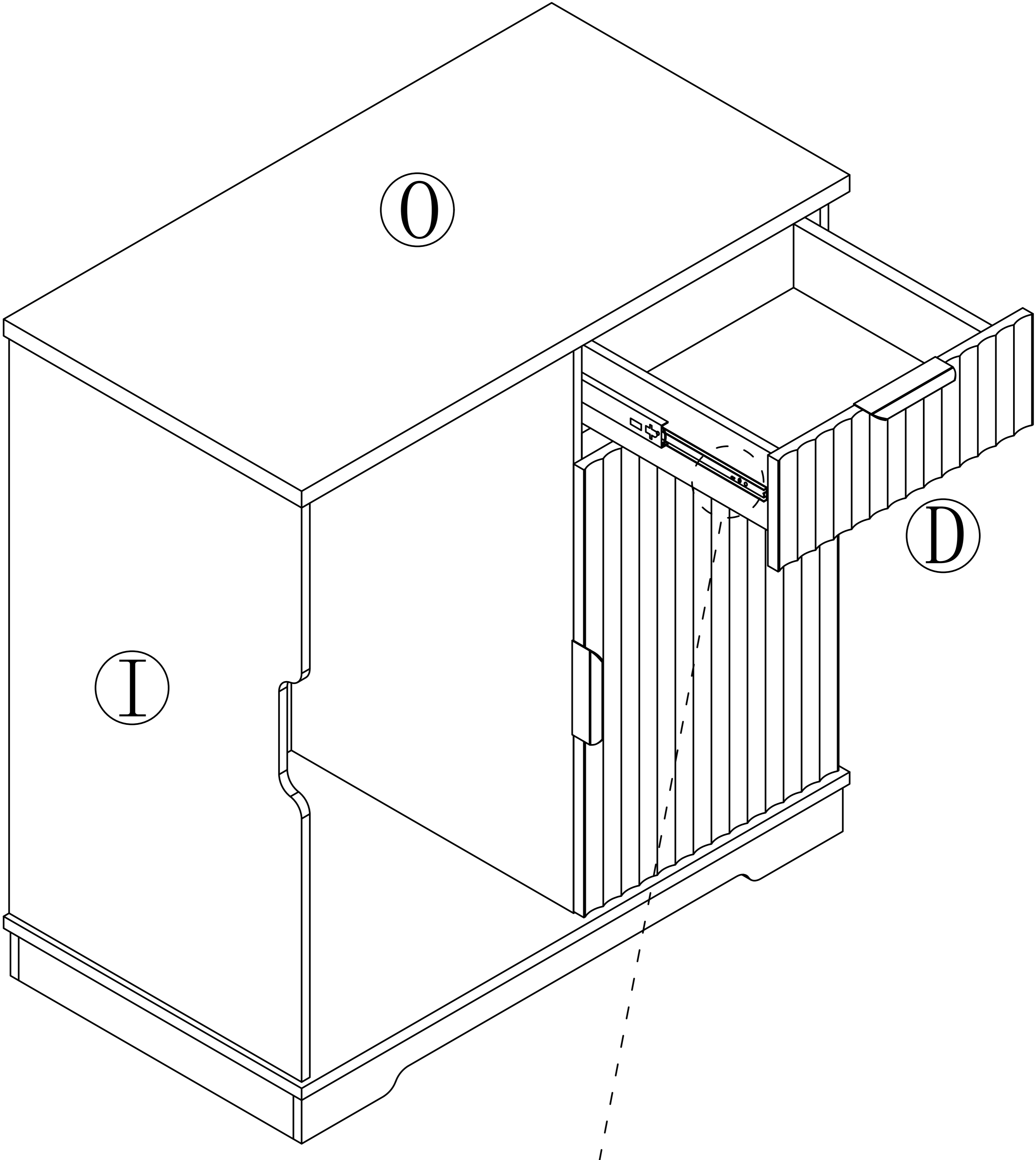


As shown, When installing the drawer,  
pull the guide rail out first, Slide beads are also pulled out.

Step 38



Step 39



If a large gap is found after installing the drawer the slide rail can be moved up and down to adjust the gap

# Step 40

