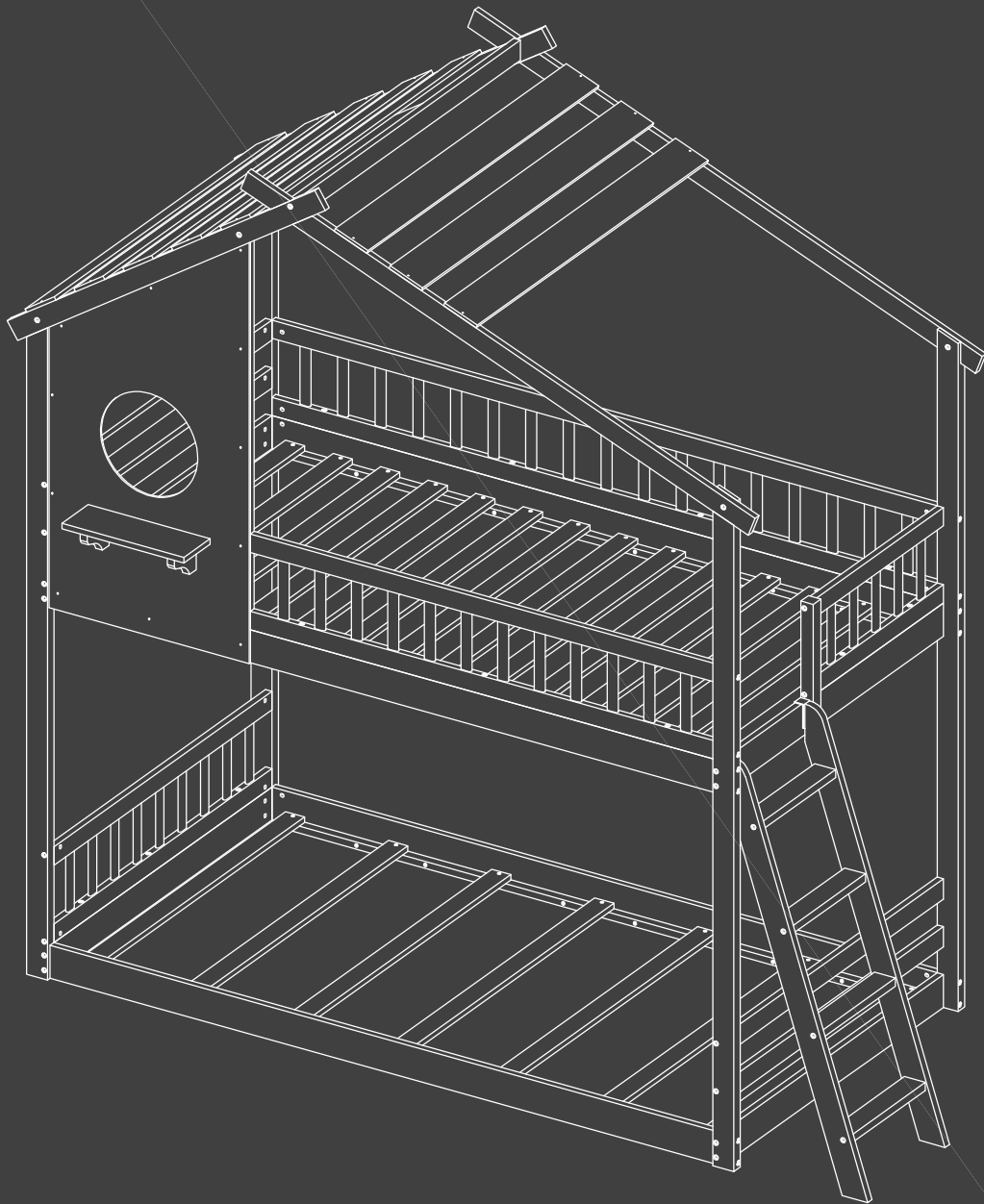


Bed Frame

Instruction Manual

MCJ-SD01-TOT-WT-A,B



 EST 9:00AM--17:00PM

 HJ-Customer-Service@outlook.com

 (909)637-7665 | (909)637-7593



SAFETY WARNINGS



1. This bed is designed for use only mattress(es) meeting the following specifications on the upper bunk:

Upper bed

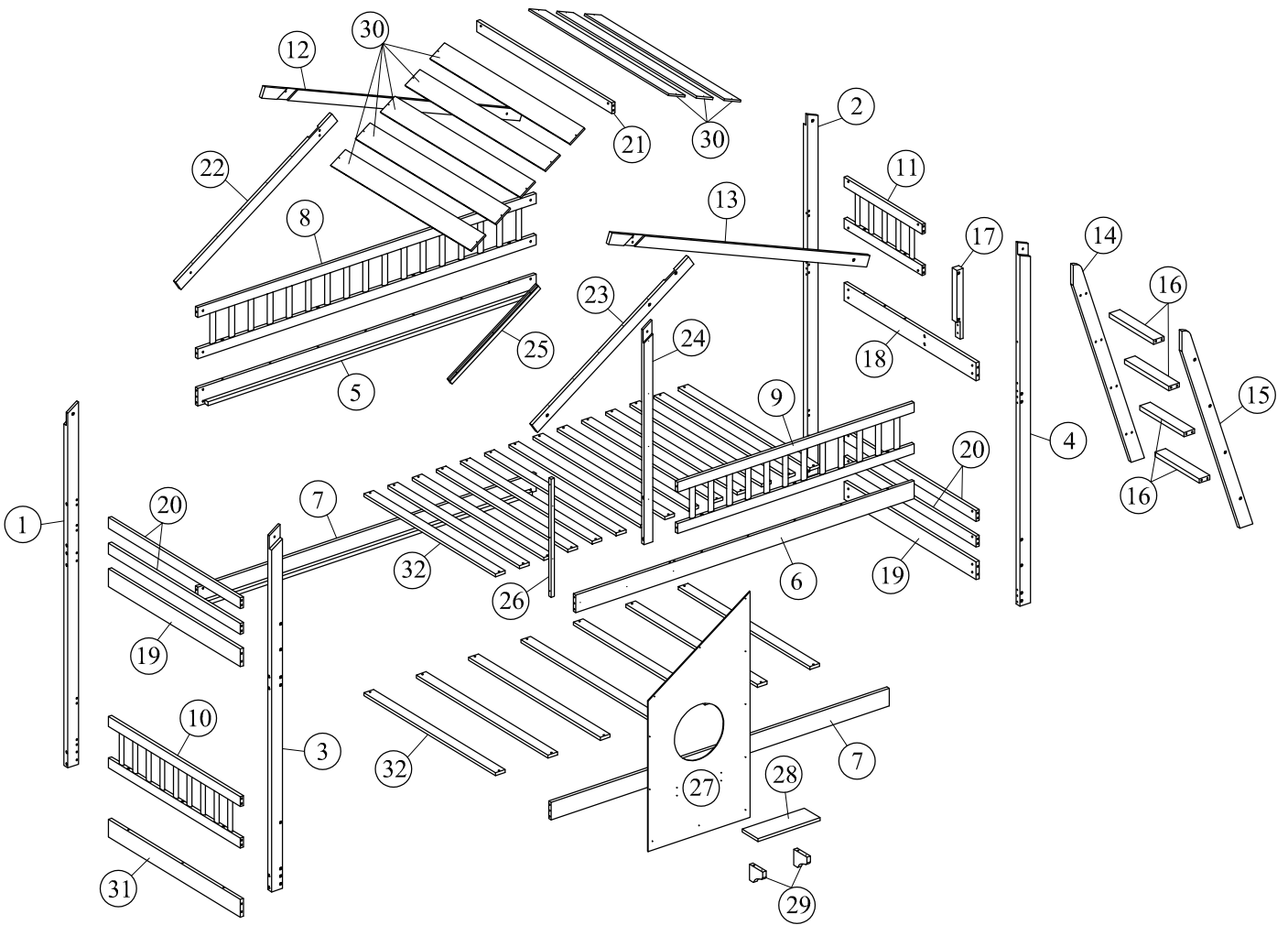
<i>Bed Type</i>	Length	Width	Thickness
<i>Twin Standard</i>	74"-75"	37 1/2" - 38"	6" max

Lower bed

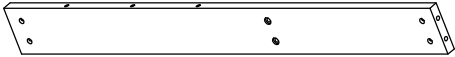

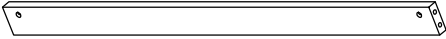
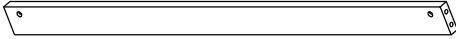
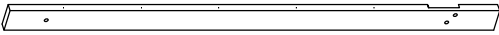
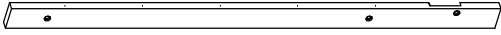
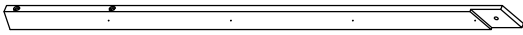

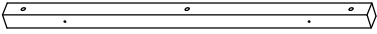
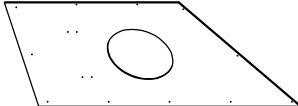

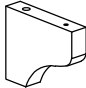

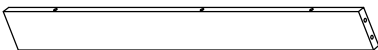
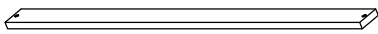
<i>Bed Type</i>	Length	Width	Thickness
<i>Twin Standard</i>	74"-75"	37 1/2" - 38"	6" max

2. Replacement parts, including additional guardrails, maybe obtained from any of our GENERAL TOYS CO.,LIMITED Unit2,LG1,Mirror Tower,61 Mody Road,Tsim Sha Tsui,Kowloon,Hong Kong dealers.
3. Follow the information on the warnings appearing on the upper bunk bed end structure and on the carton. Do not remove warning label from bed.
4. Always use the recommended size mattresses or mattress supports, or both, to help prevent the likelihood of entrapment or falls.
5. Surface of the mattress must be at least 5". (127 mm) below the upper edge of guardrails.
6. Do not allow children under 6 years of age to use the upper bunk.
7. Periodically check and ensure that the guardrail, ladder, and other components are in their proper position, free from damage, and that all connectors are tight.
8. Do not allow horseplay on or under the bed and prohibit jumping on the bed
9. Always use the ladder for entering and leaving the upper bunk.
10. Do not use substitute parts. Contact the manufacturer or dealer for replacement parts.
11. Use of a night light may provided added safety precaution for a child using the upper bunk.
12. Always use guardrails on both long sides of the upper bunk. If the bunk bed will be placed next to the wall, the guardrail that runs the full length of the bed should be placed against the wall to prevent entrapment between the bed and wall.
13. The use of water or sleep flotation mattresses is prohibited.
14. STRANGULATION HAZARD - Never attach or hang items to any part of the bunk bed that are not designed for use with the bed; for example, but not limited to, hook, belts and jump ropes.
15. Keep these instructions for future reference
16. Prohibit more than one person on upper bunk.
17. We recommend assembling your bunk bed on the shipping carton to protect your floor or carpet.
18. Be certain all staples are out of the box before beginning assembly on the shipping carton.

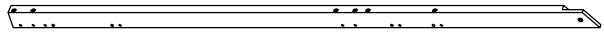
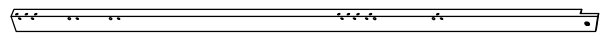
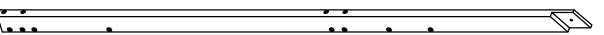
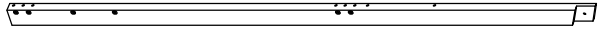


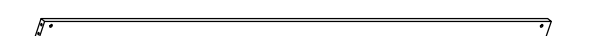
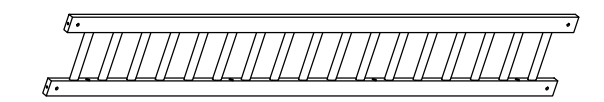
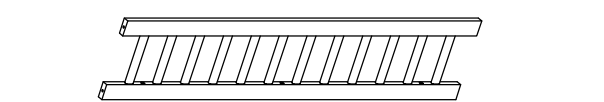
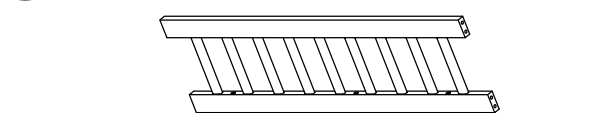
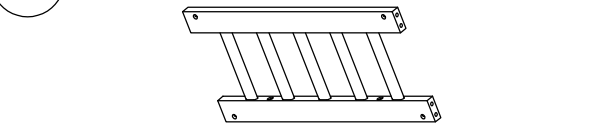
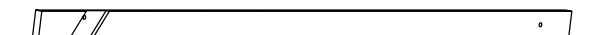


Detail:



Part List (Box 1)

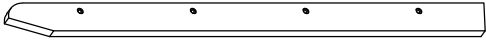
<p>①⑧ x1</p> 	<p>①⑨ x2</p> 
<p>②⑦ x4</p> 	<p>②① x1</p> 
<p>②② x1</p> 	<p>②③ x1</p> 
<p>②④ x1</p> 	<p>②⑤ x1</p> 
<p>②⑥ x1</p> 	<p>②⑦ x1</p> 
<p>②⑧ x1</p> 	<p>②⑨ x2</p> 
<p>③⑦ x8</p> 	<p>③① x1</p> 
	<p>③② x21</p> 

Part List (Box 2)

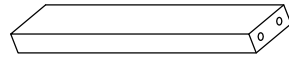
<p>① x1</p> 	<p>② x1</p> 
<p>③ x1</p> 	<p>④ x1</p> 
<p>⑤ x1</p> 	<p>⑥ x1</p> 
<p>⑦ x2</p> 	<p>⑧ x1</p> 
<p>⑨ x1</p> 	<p>⑩ x1</p> 
<p>⑪ x1</p> 	<p>⑫ x1</p> 
<p>⑬ x1</p> 	<p>⑭ x1</p> 

Part List (Box 2)

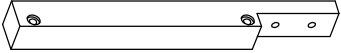
15 x1









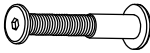

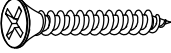

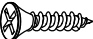




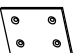

16 x4



17 x1



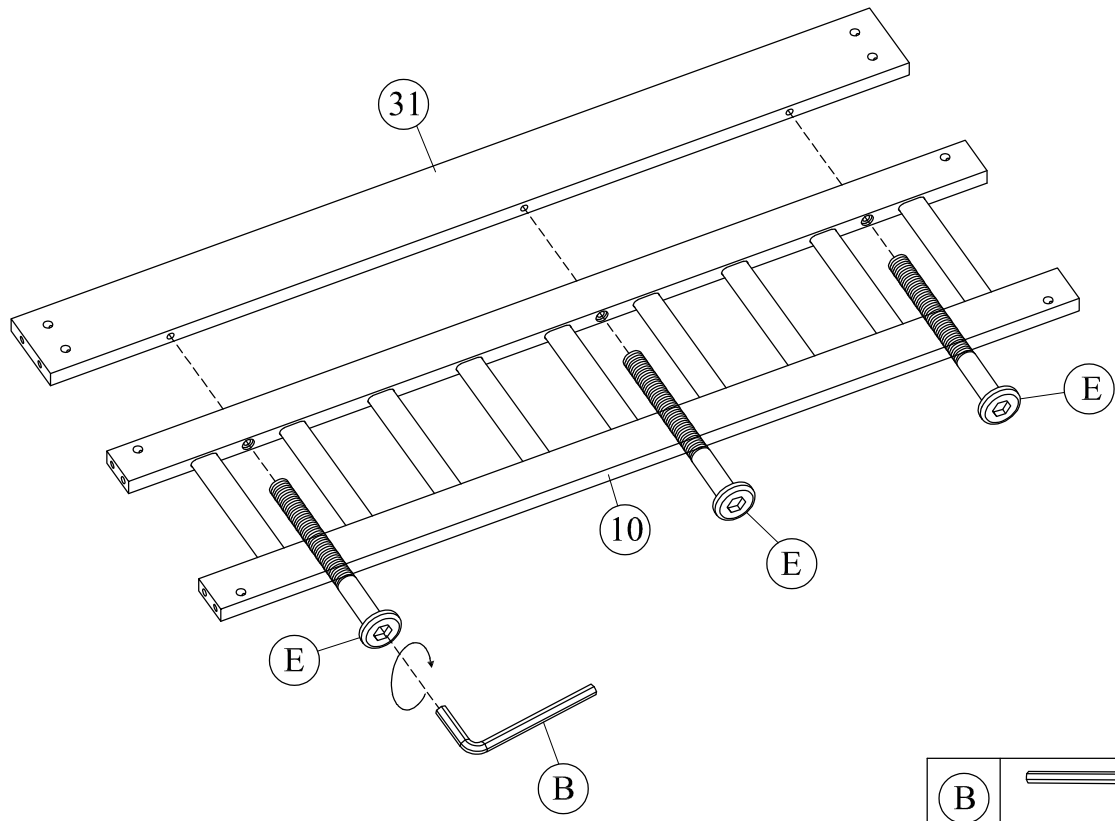
Hardware List (Box 1)



No.	OUTLOOK	DESC	QTY
(A)		Dowel Ø8*30mm	44pcs
(B)		Allen key 60*22*4mm	1pc
(C)		Bolts M6*100mm	24pcs
(D)		Bolts M6*70mm	32pcs
(E)		Bolts M6*60mm	12pcs
(F)		Bolts M6*60mm	10pcs
(G)		Bolts M6*25mm	2pcs
(H)		Bolts M6*20mm	5pcs
(I)		Flat head screw #8*30mm	51pcs
(J)		Flat head screw #8*20mm	3pcs
(K)		Flat head screw #7*15mm	4pcs
(L)		Flat head screw #6*25mm	4pcs
(M)		Flat head screw #6*15mm	2pcs
(N)		Round head screw #8*20mm	16pcs
(O)		Round head screw #8*15mm	11pcs
(P)		Metal Rectangle	1pc
(Q)		Metal base	2pcs

ASSEMBLY TOOLS REQUIRED (NOT INCLUDED)

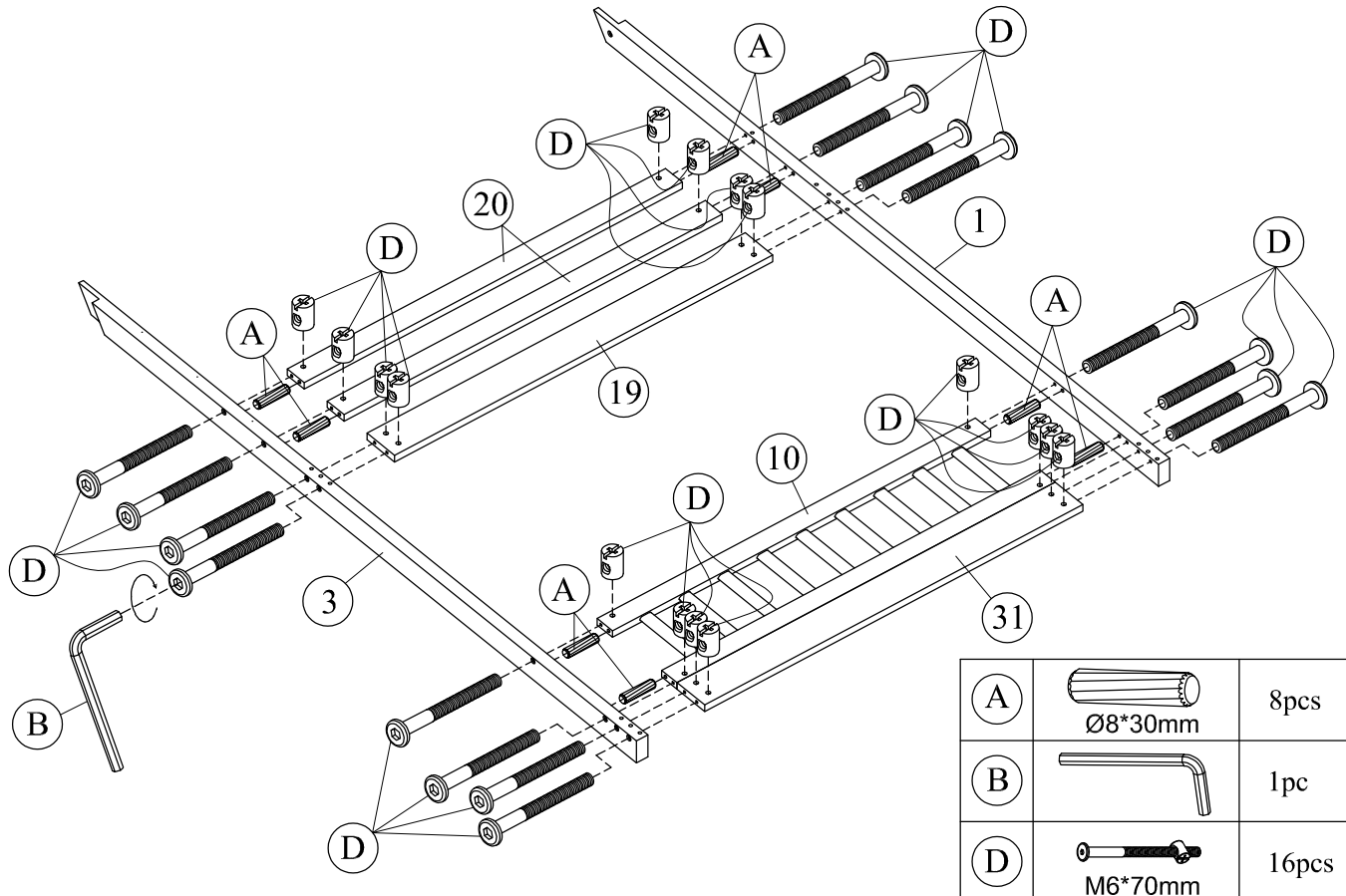


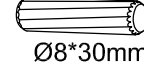


STEP 1:



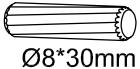

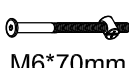
(B)		1pc
(E)	 M6*60mm	3pcs

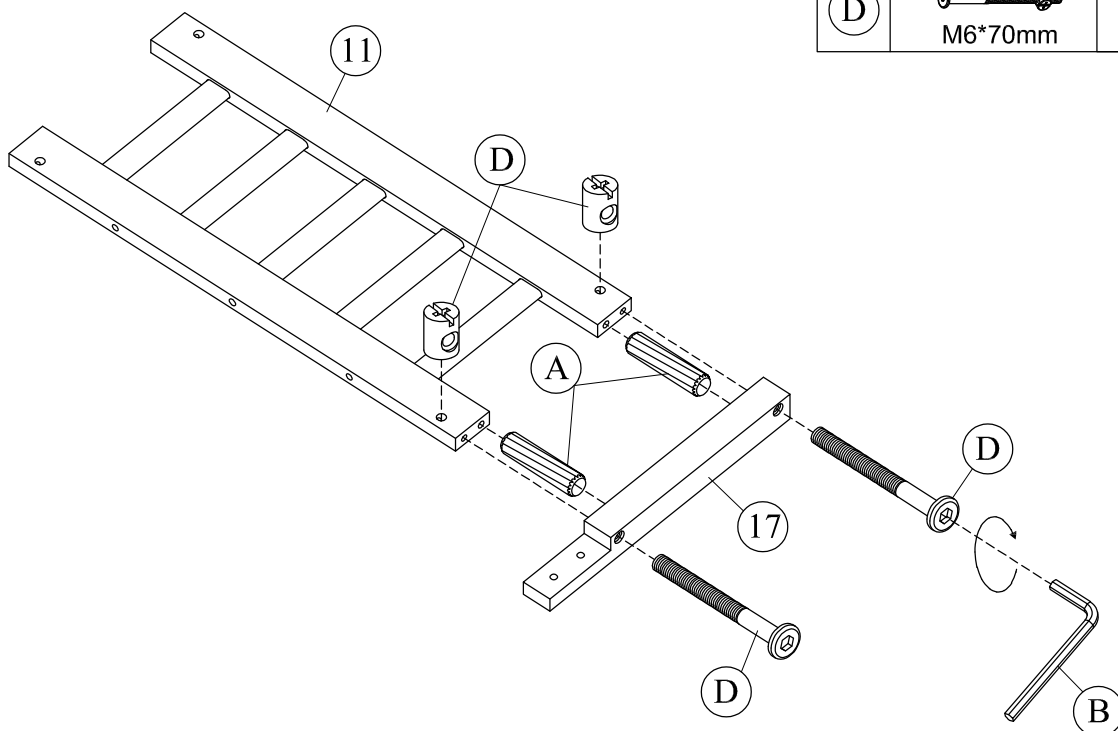
STEP 2:



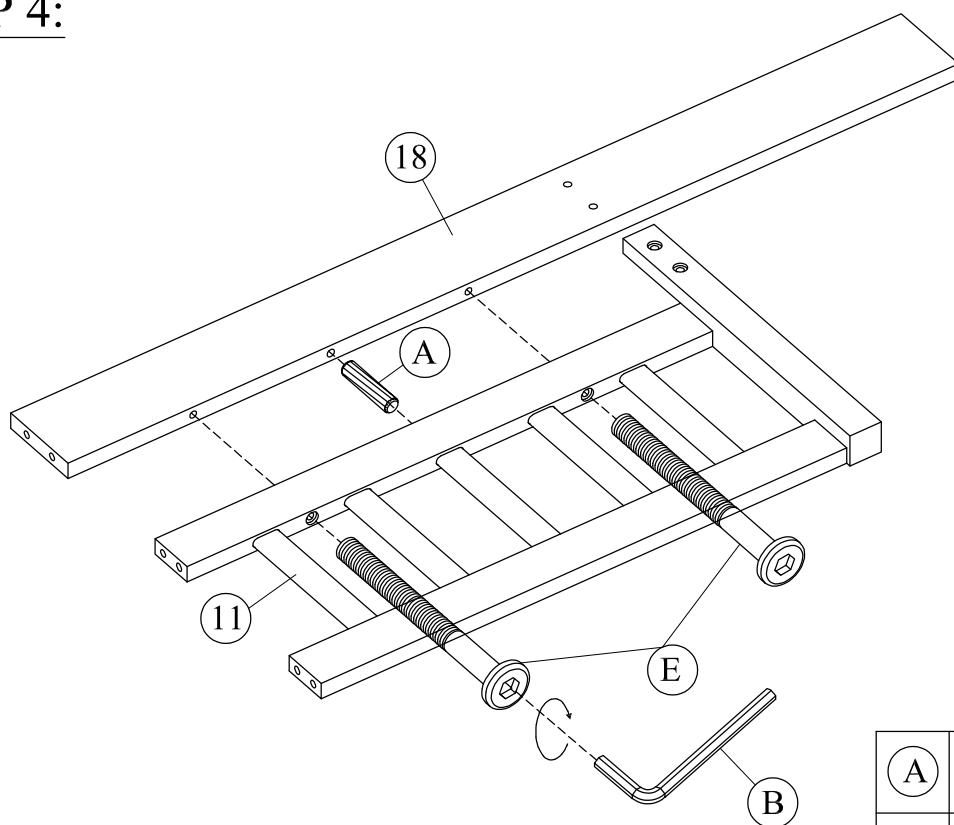
(A)	 Ø8*30mm	8pcs
(B)		1pc
(D)	 M6*70mm	16pcs

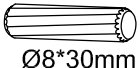

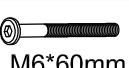
STEP 3:

(A)	 Ø8*30mm	2pcs
(B)		1pc
(D)	 M6*70mm	2pcs

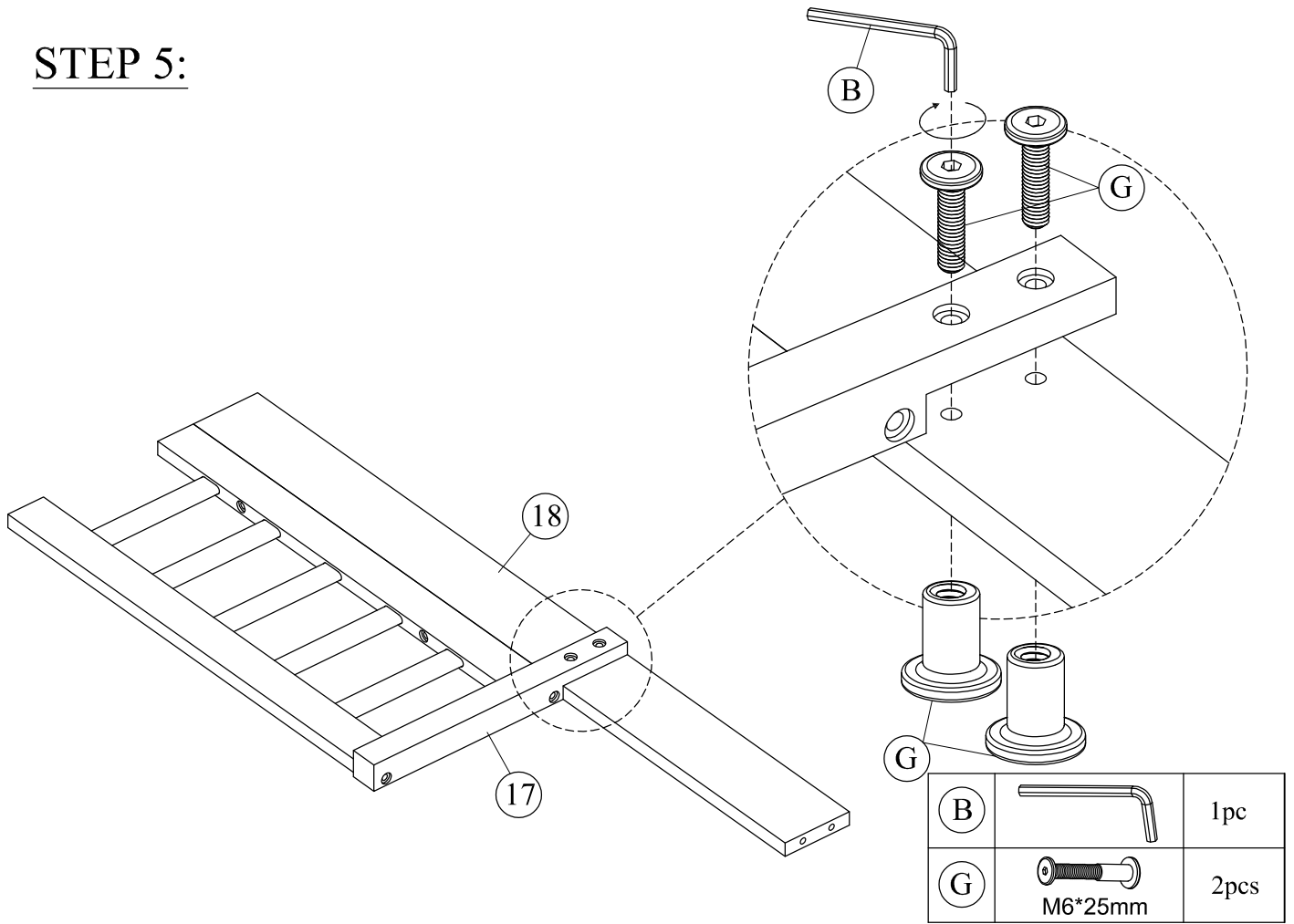


STEP 4:

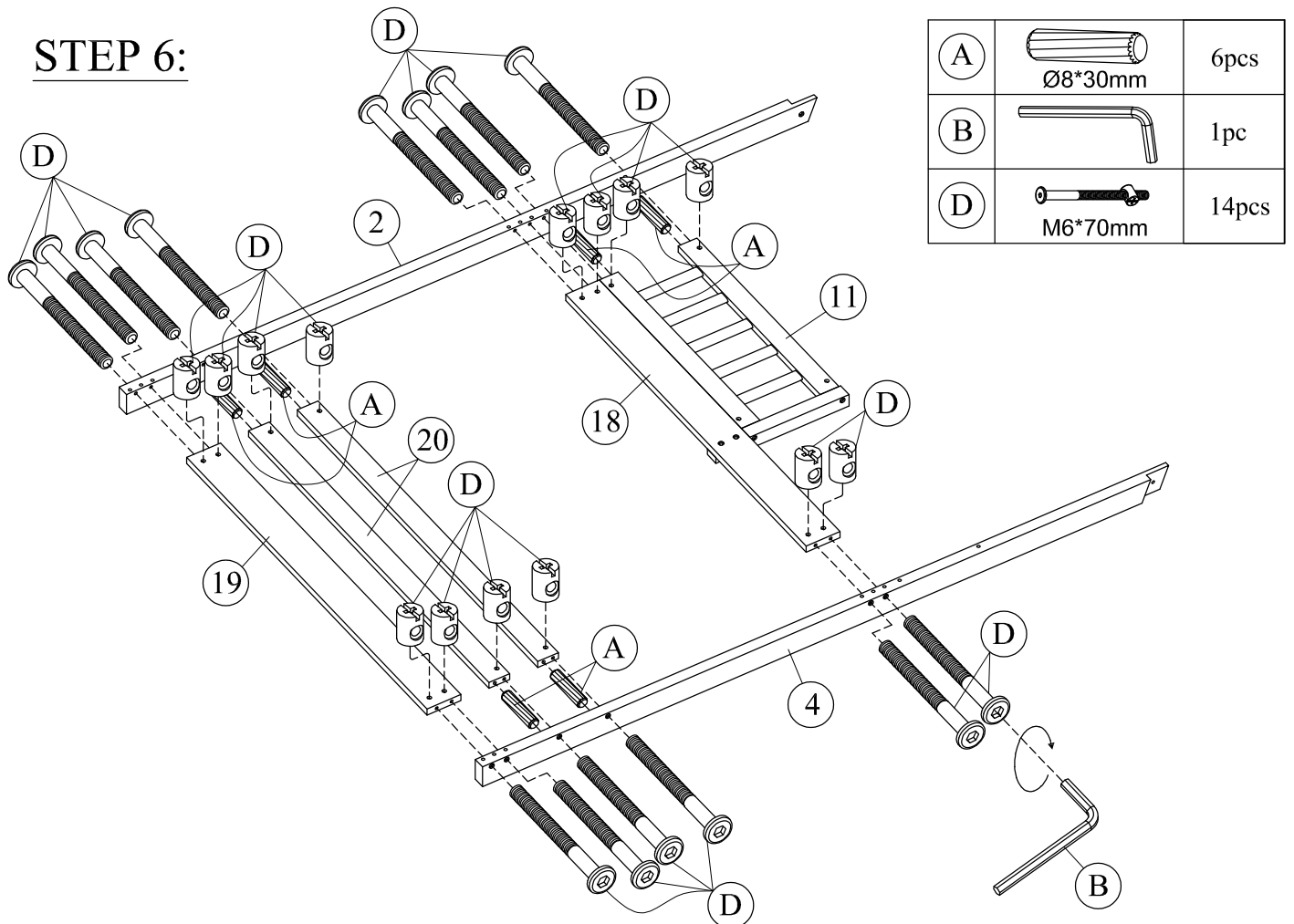


(A)	 Ø8*30mm	1pc
(B)		1pc
(E)	 M6*60mm	2pcs

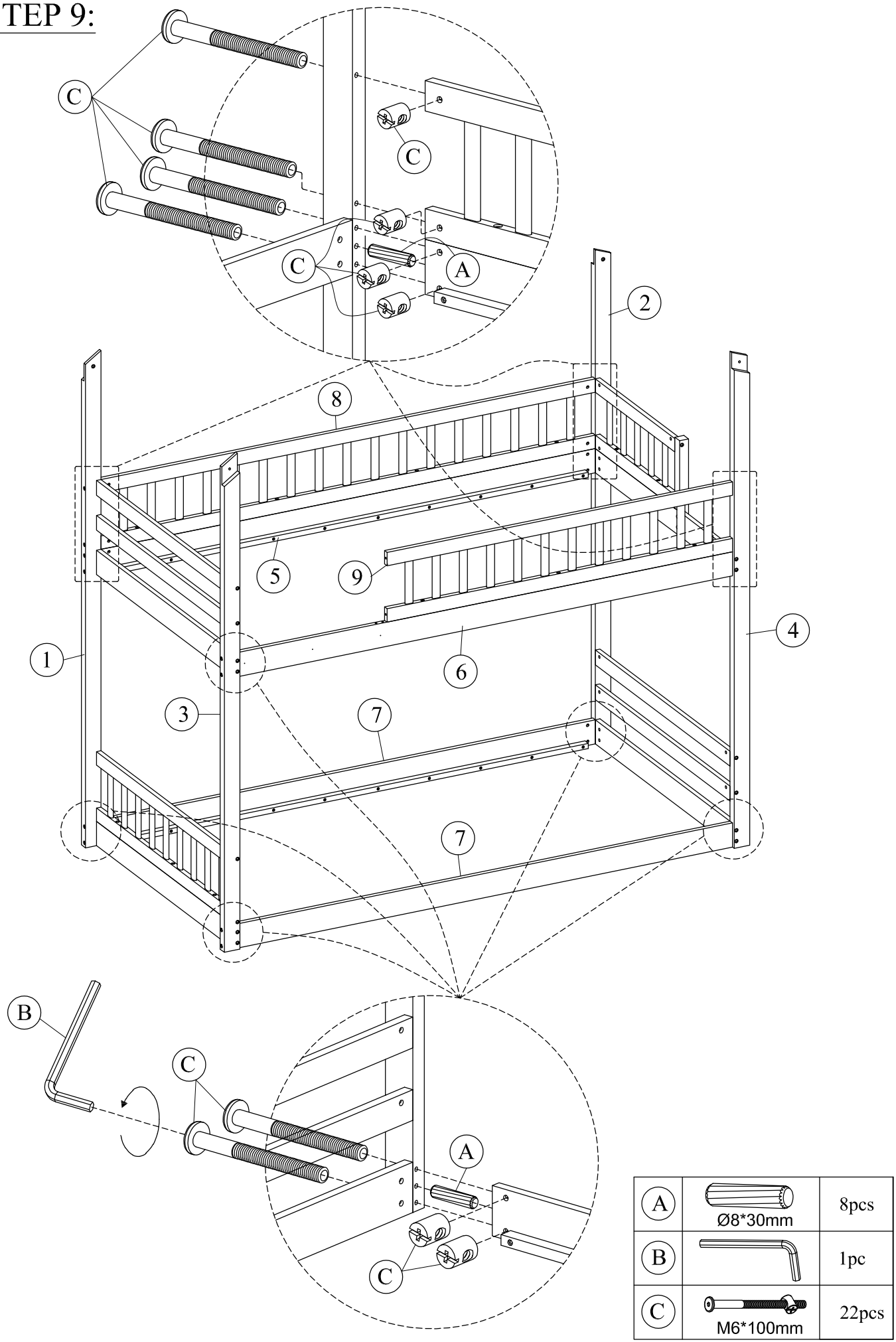
STEP 5:



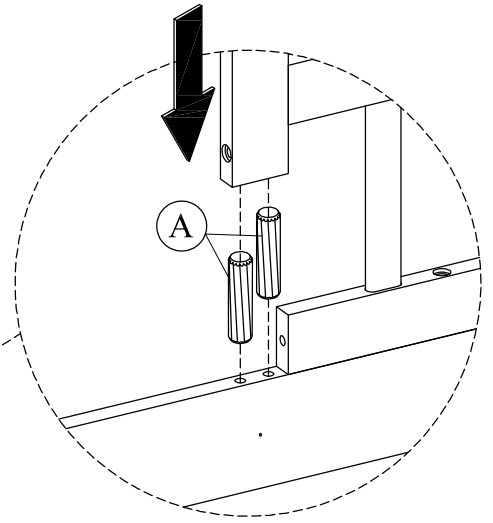
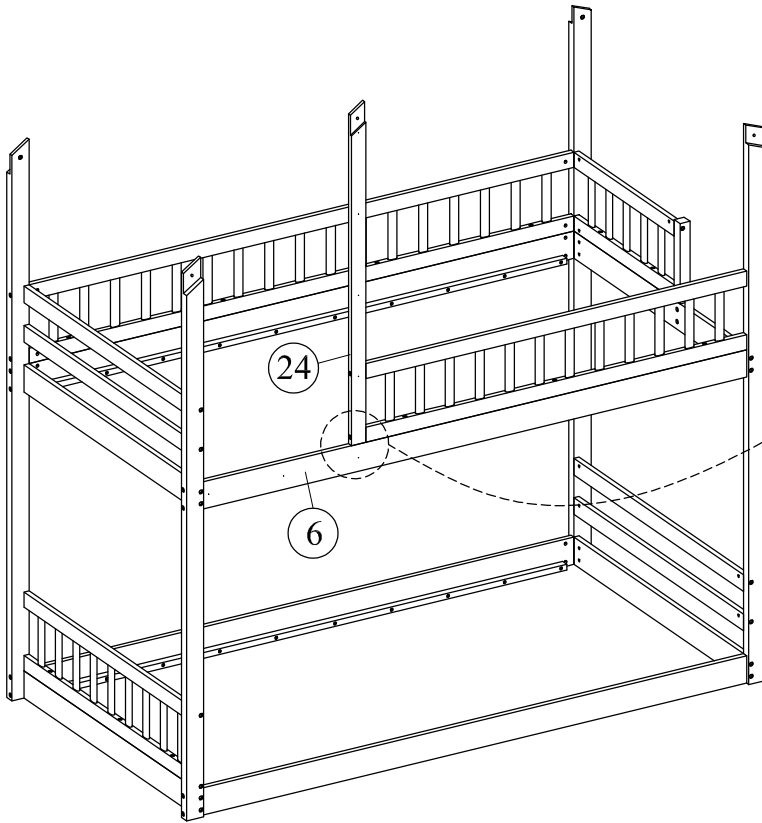
STEP 6:

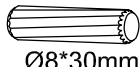


STEP 9:

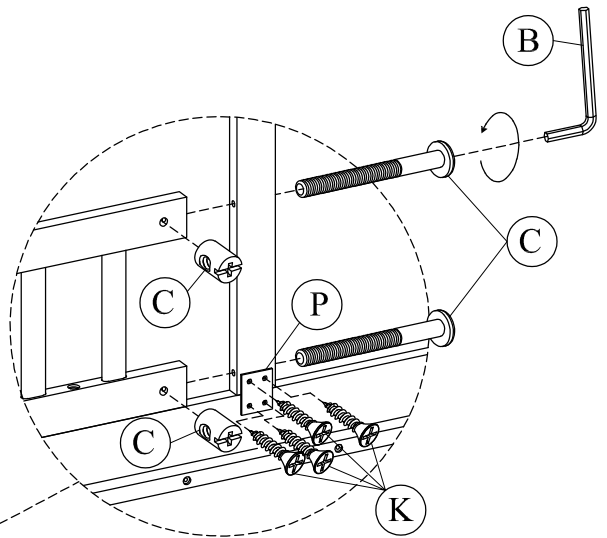
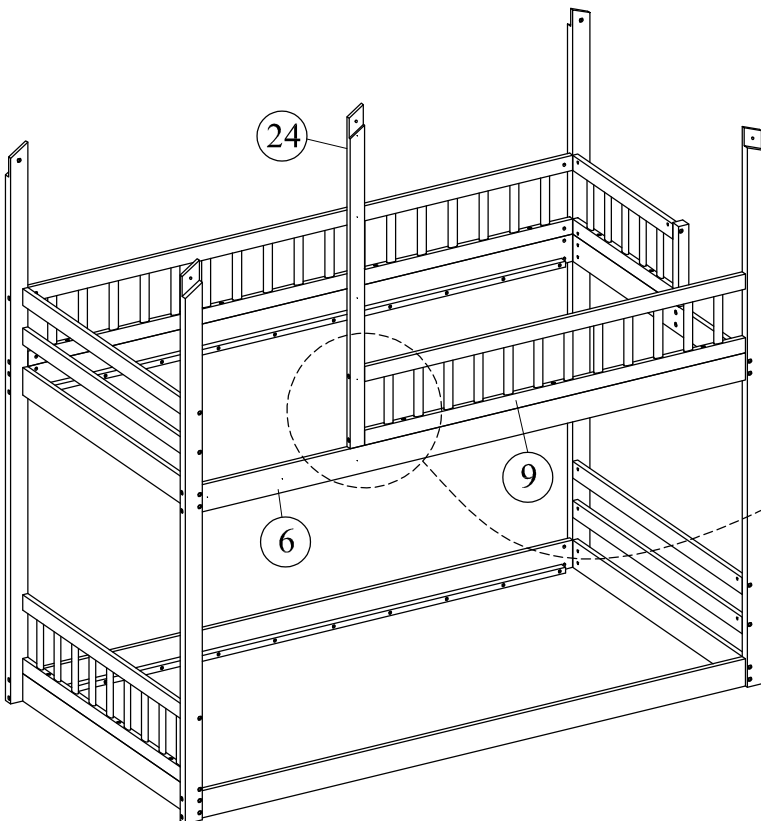



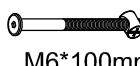
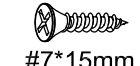
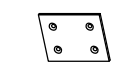
STEP 10:



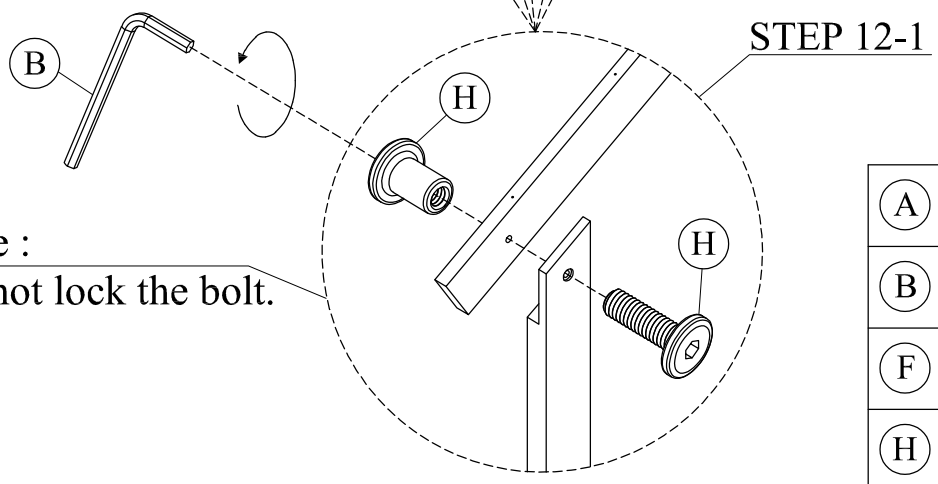
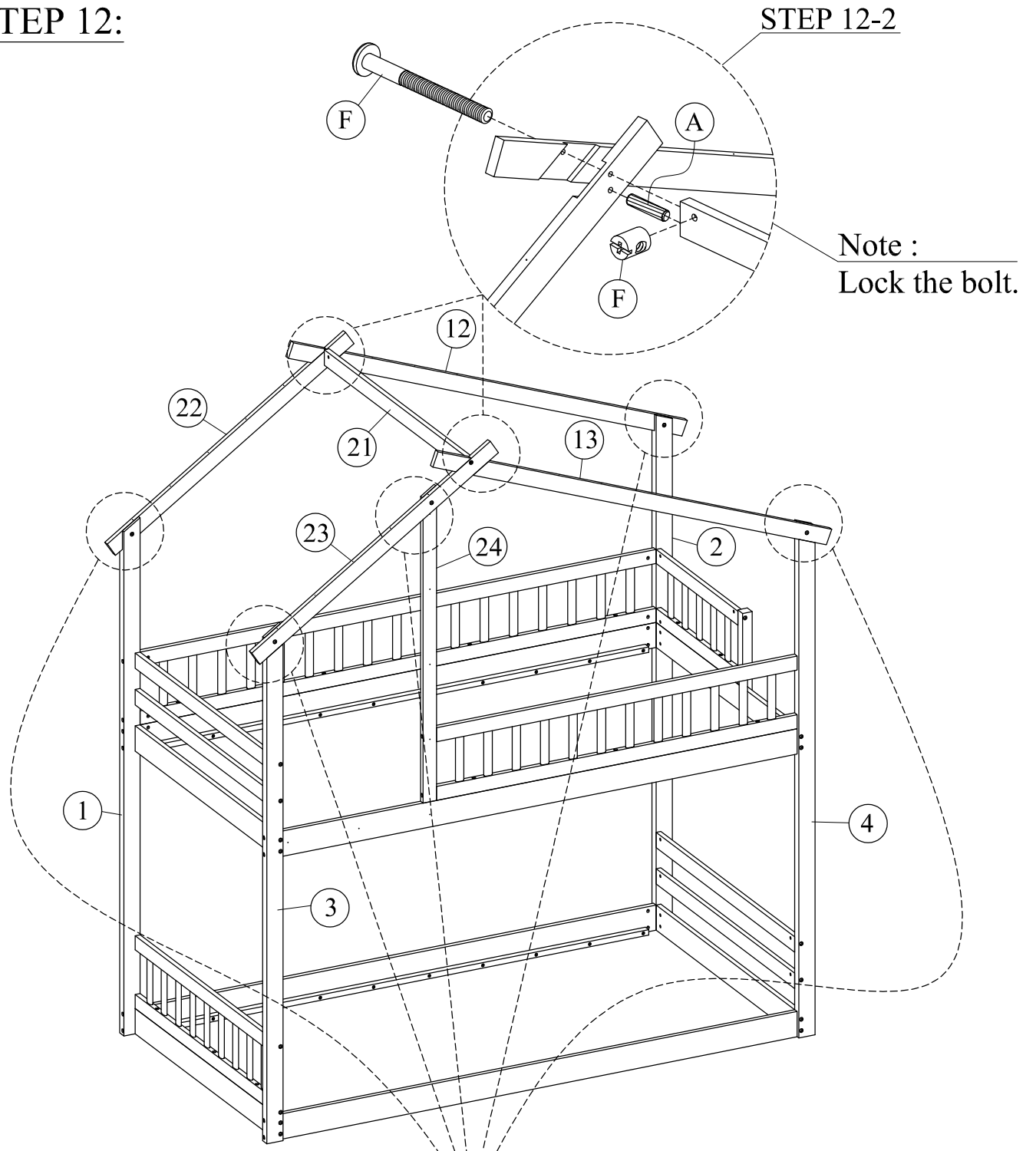
A	 Ø8*30mm	2pcs
---	--	------

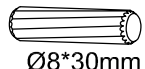

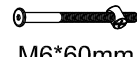

STEP 11:



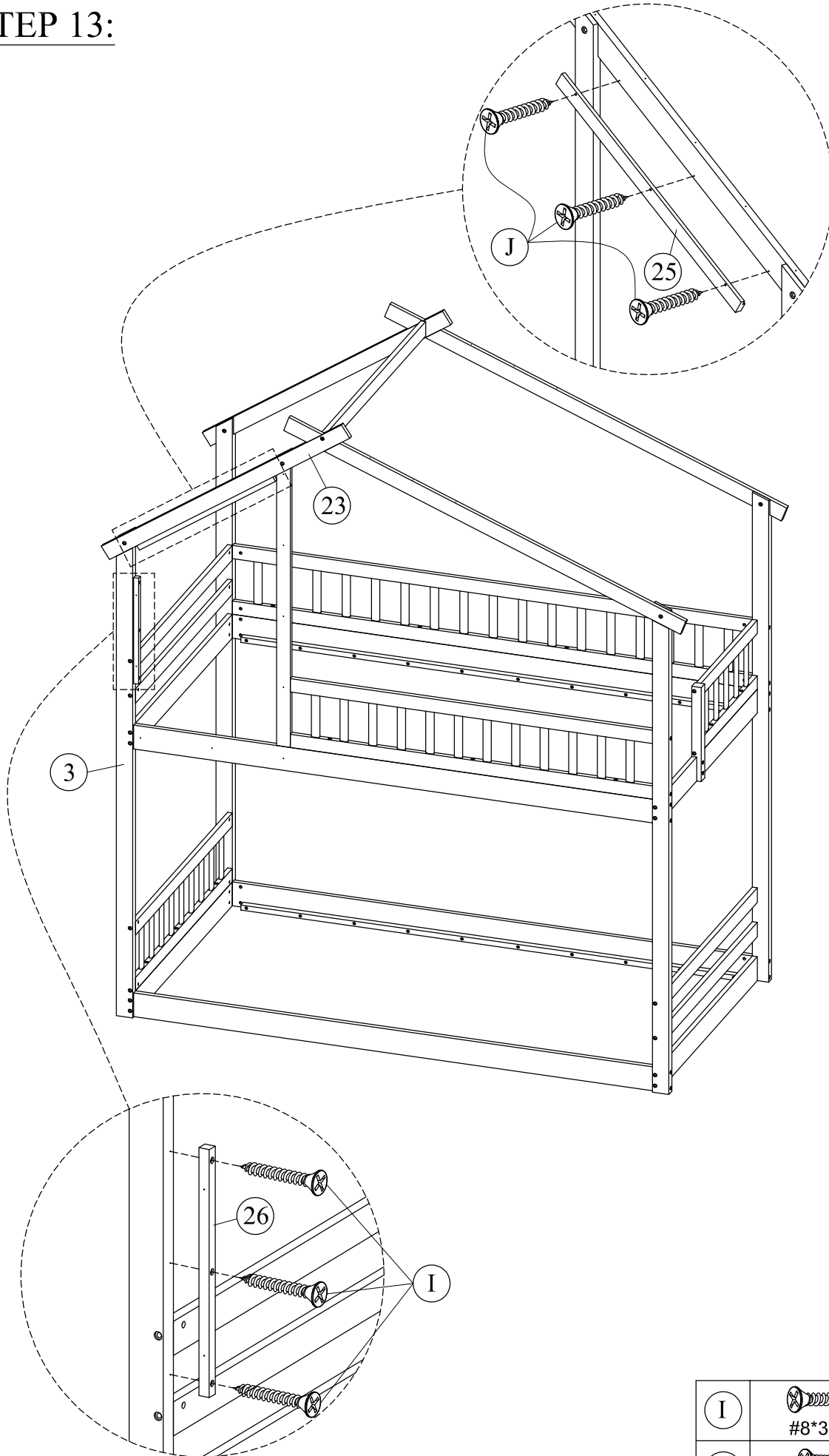
B	 1pc	1pc
C	 M6*100mm	2pcs
K	 #7*15mm	4pcs
P	 1pc	1pc

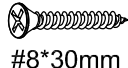

STEP 12:



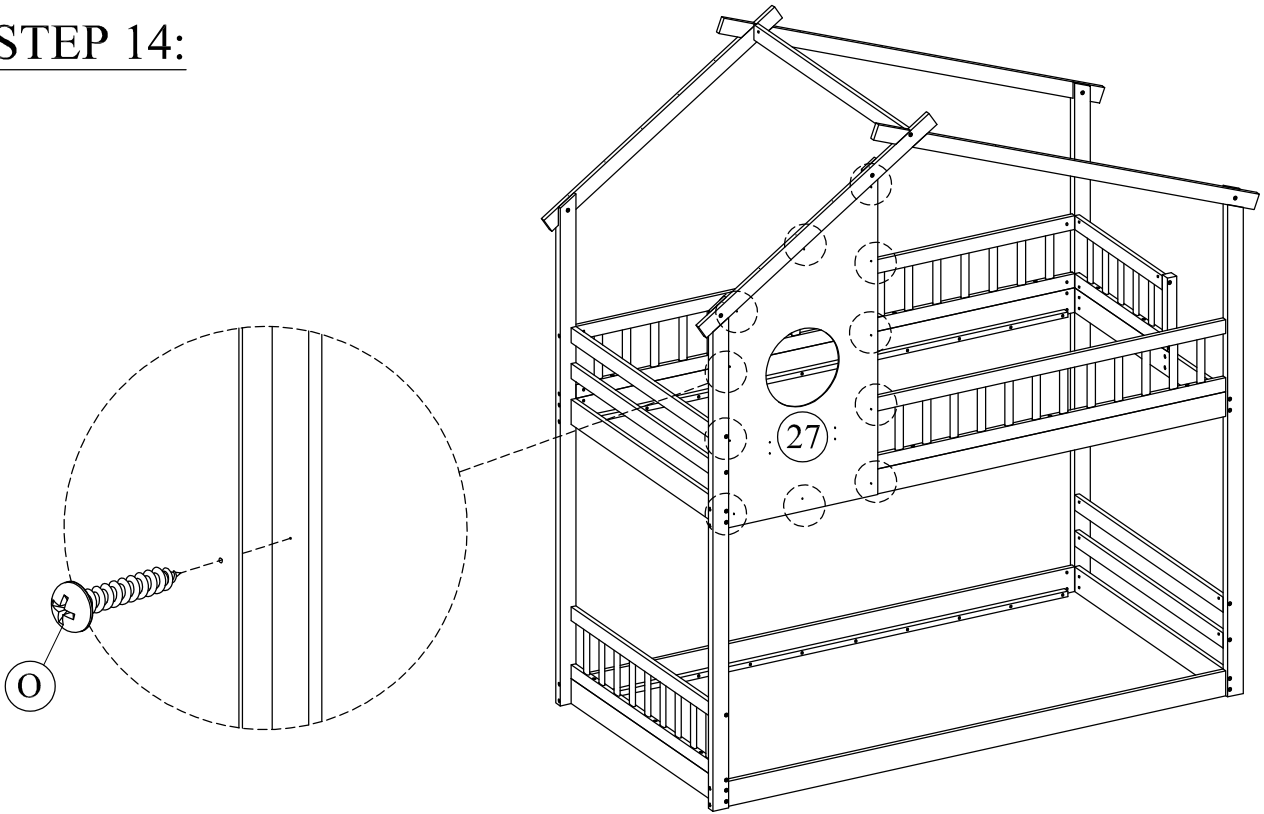
(A)	 Ø8*30mm	2pcs
(B)		1pc
(F)	 M6*60mm	2pcs
(H)	 M6*20mm	5pcs


STEP 13:



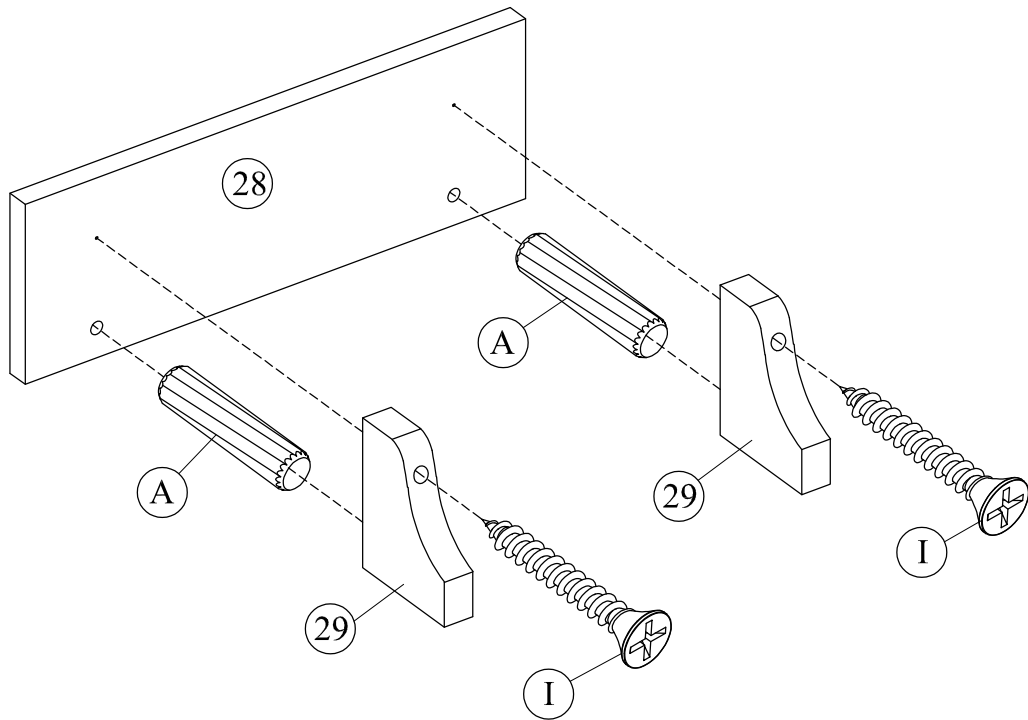
I	 #8*30mm	3pcs
J	 #8*20mm	3pcs


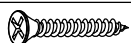
STEP 14:



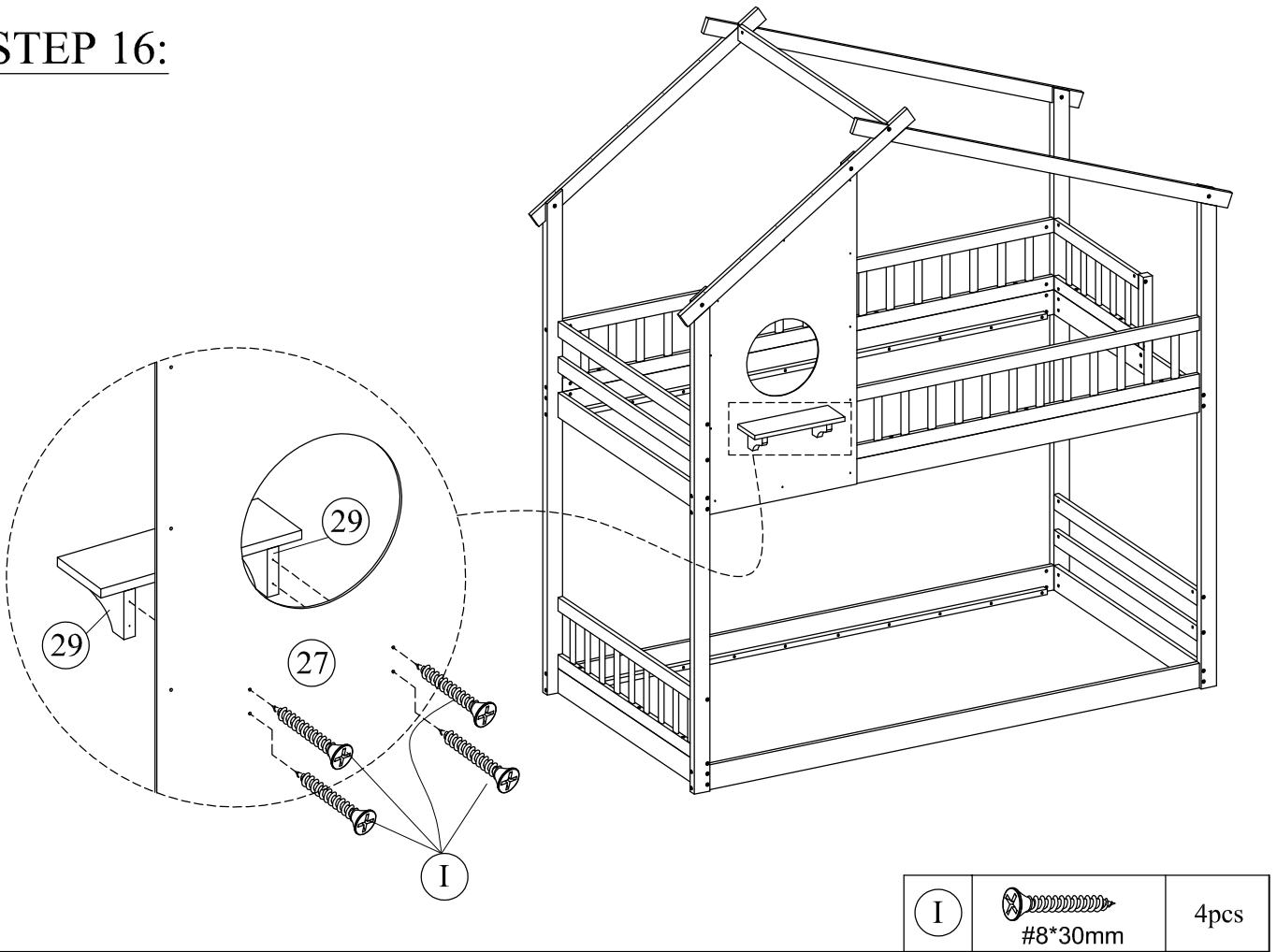
O	 #8*15mm	11 pcs
---	--	--------

STEP 15:

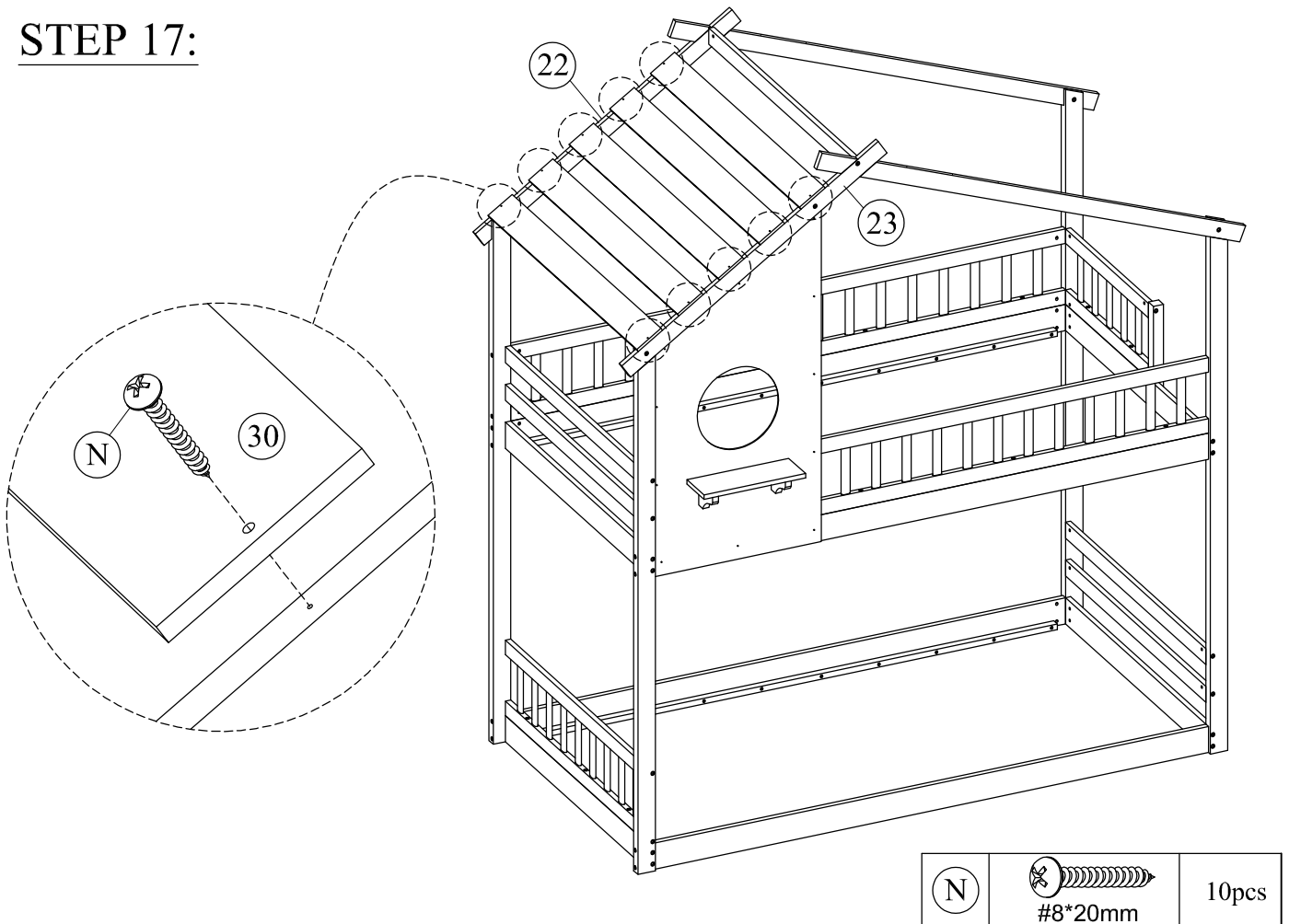


A	 Ø8*30mm	2 pcs
I	 #8*30mm	2 pcs

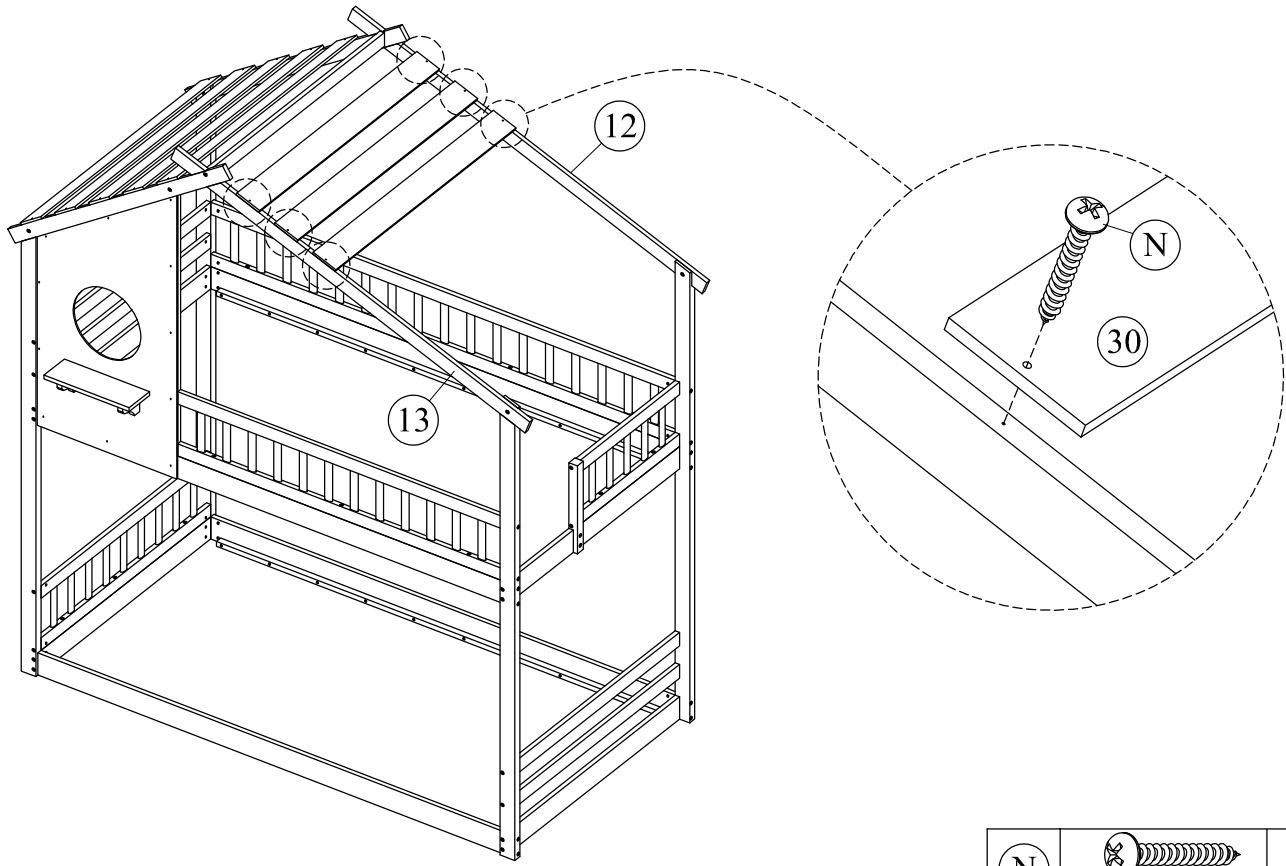
STEP 16:




STEP 17:

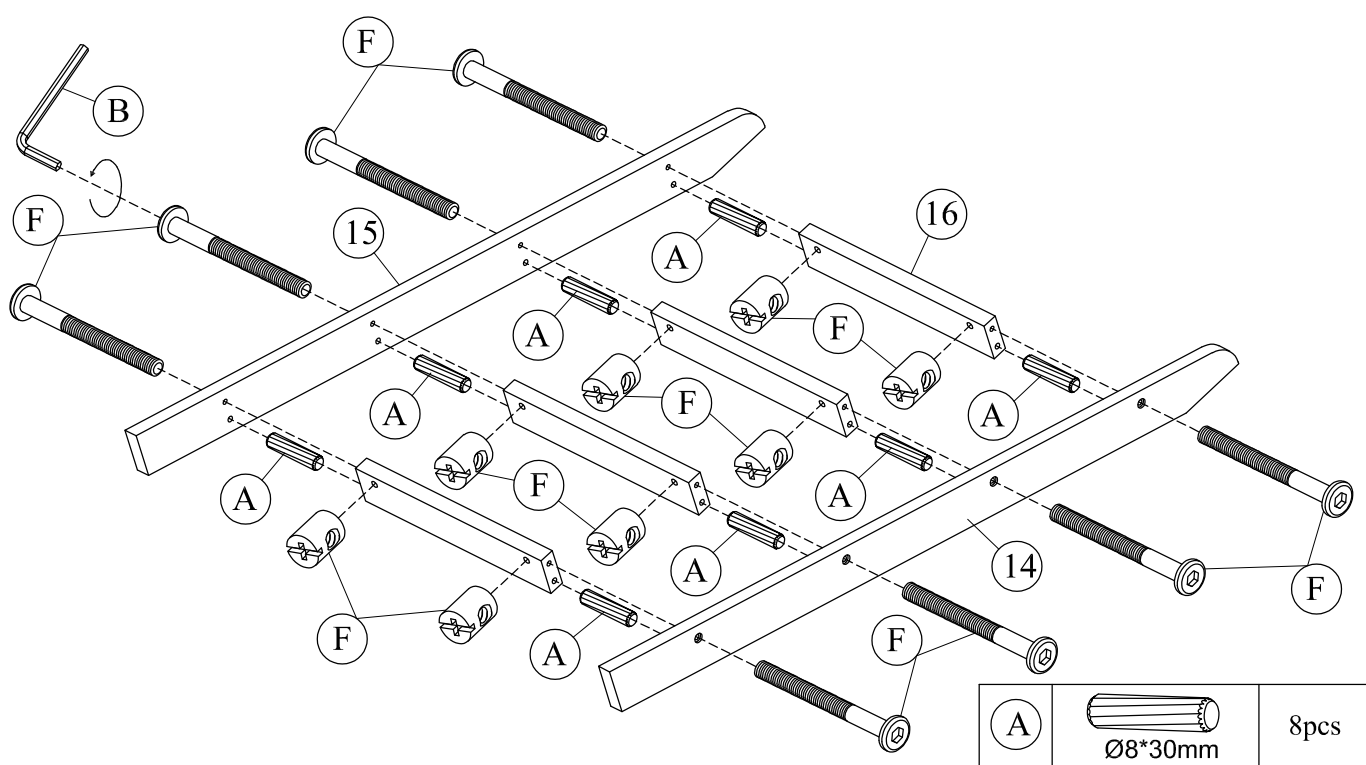





STEP 18:



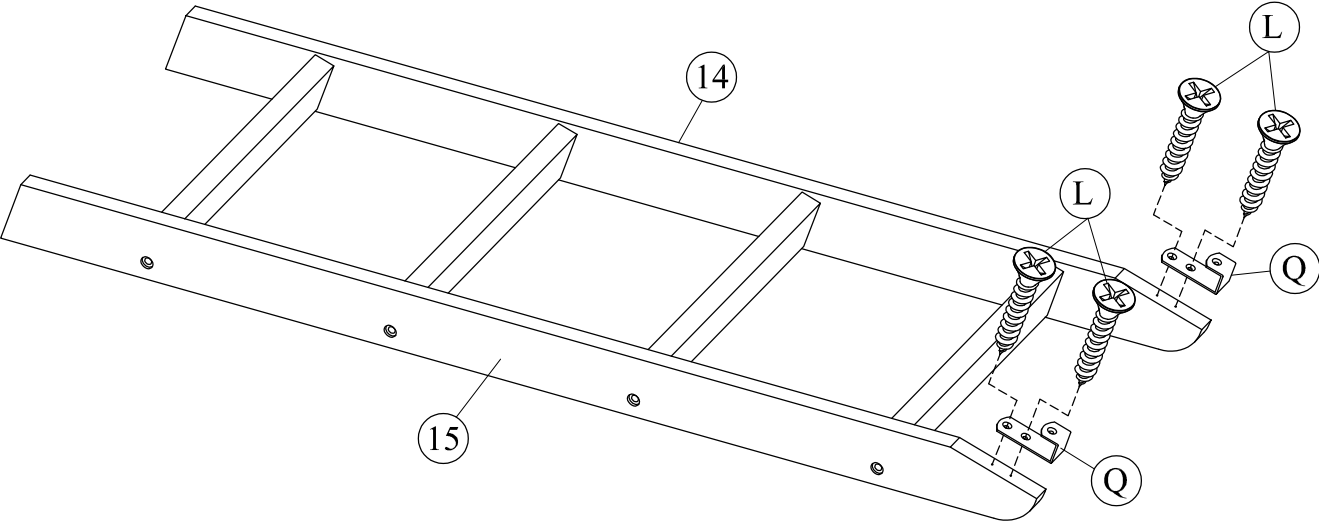
N	 #8*20mm	6pcs
---	--	------



STEP 19:



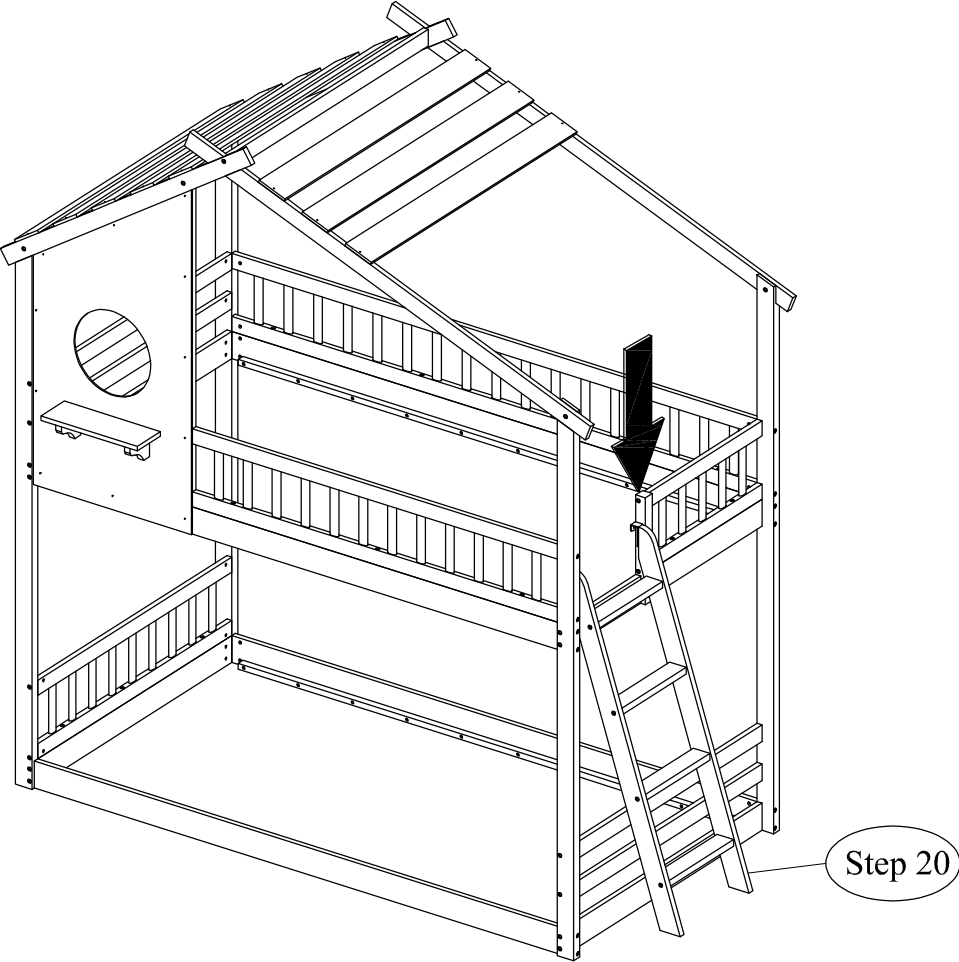
A	 Ø8*30mm	8pcs
B		1pc
F	 M6*60mm	8pcs

STEP 20:

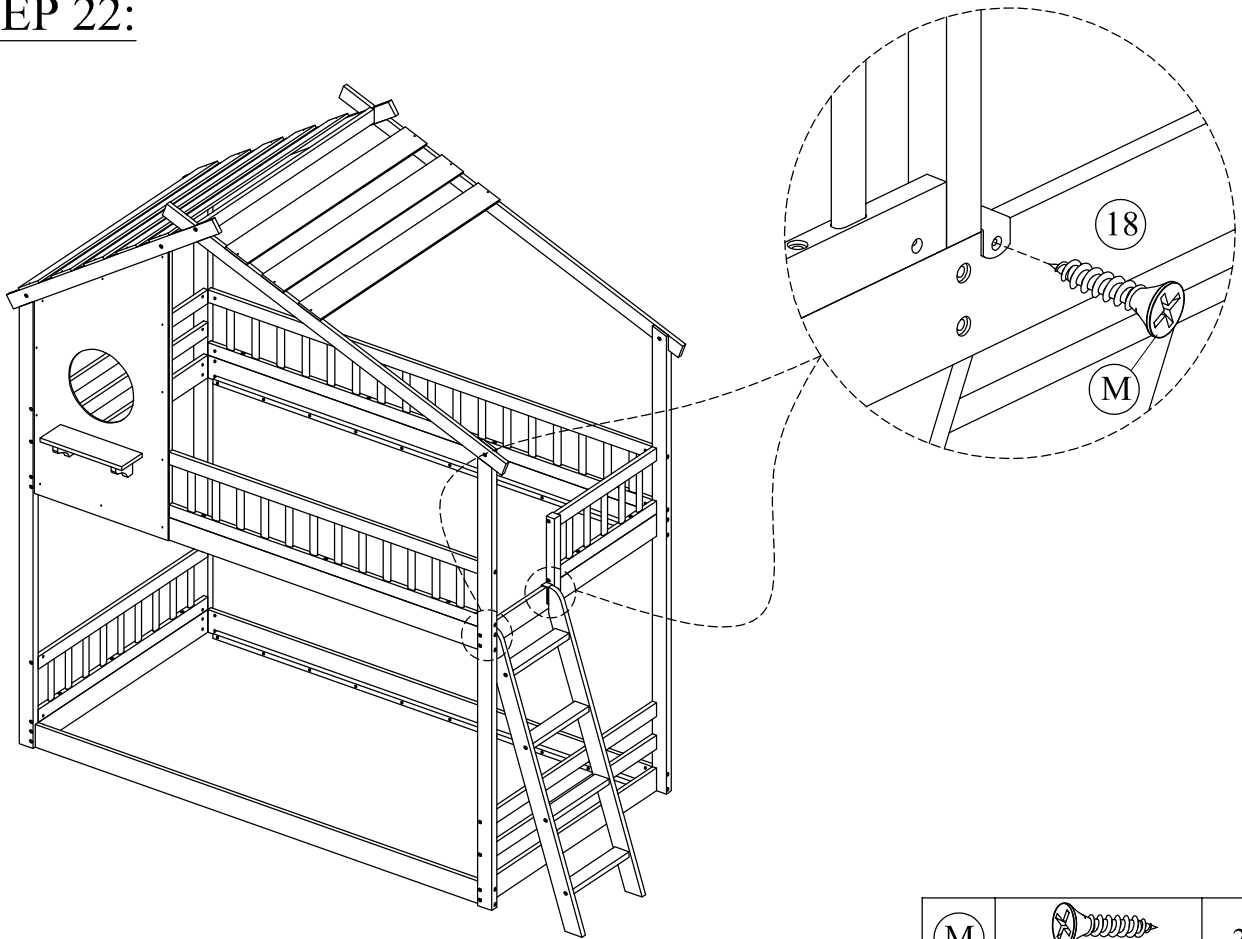



L	 #6*25mm	4pcs
Q		2pcs

STEP 21:

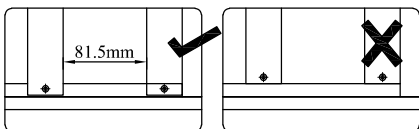
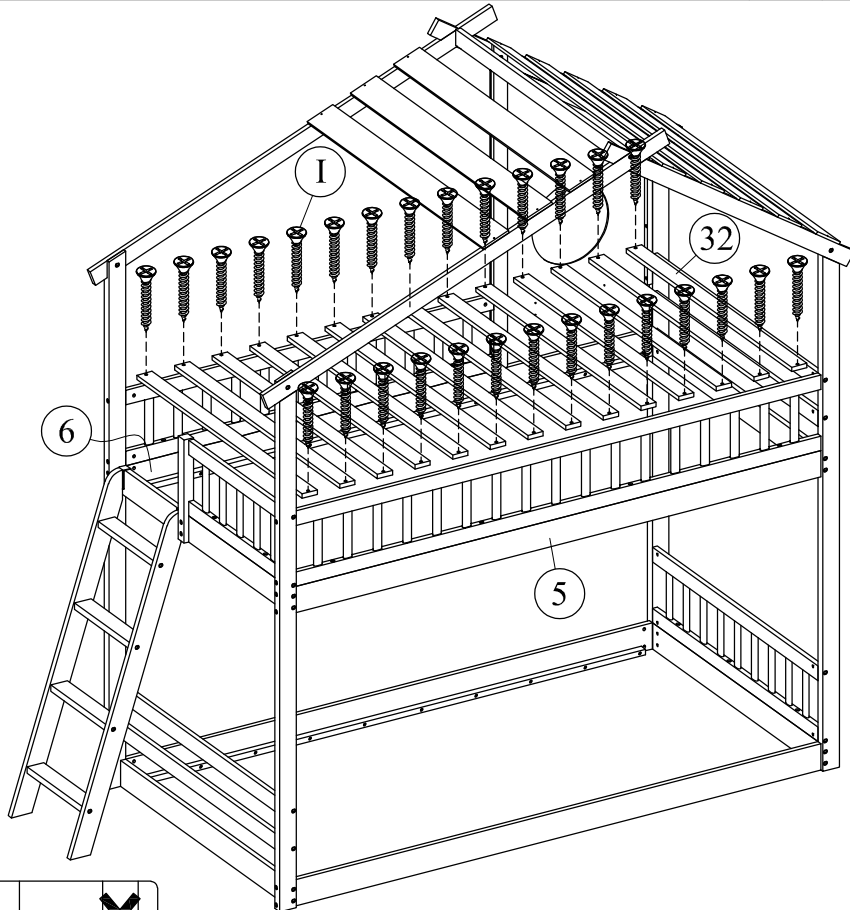


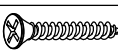
STEP 22:



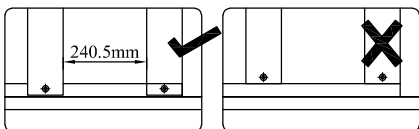
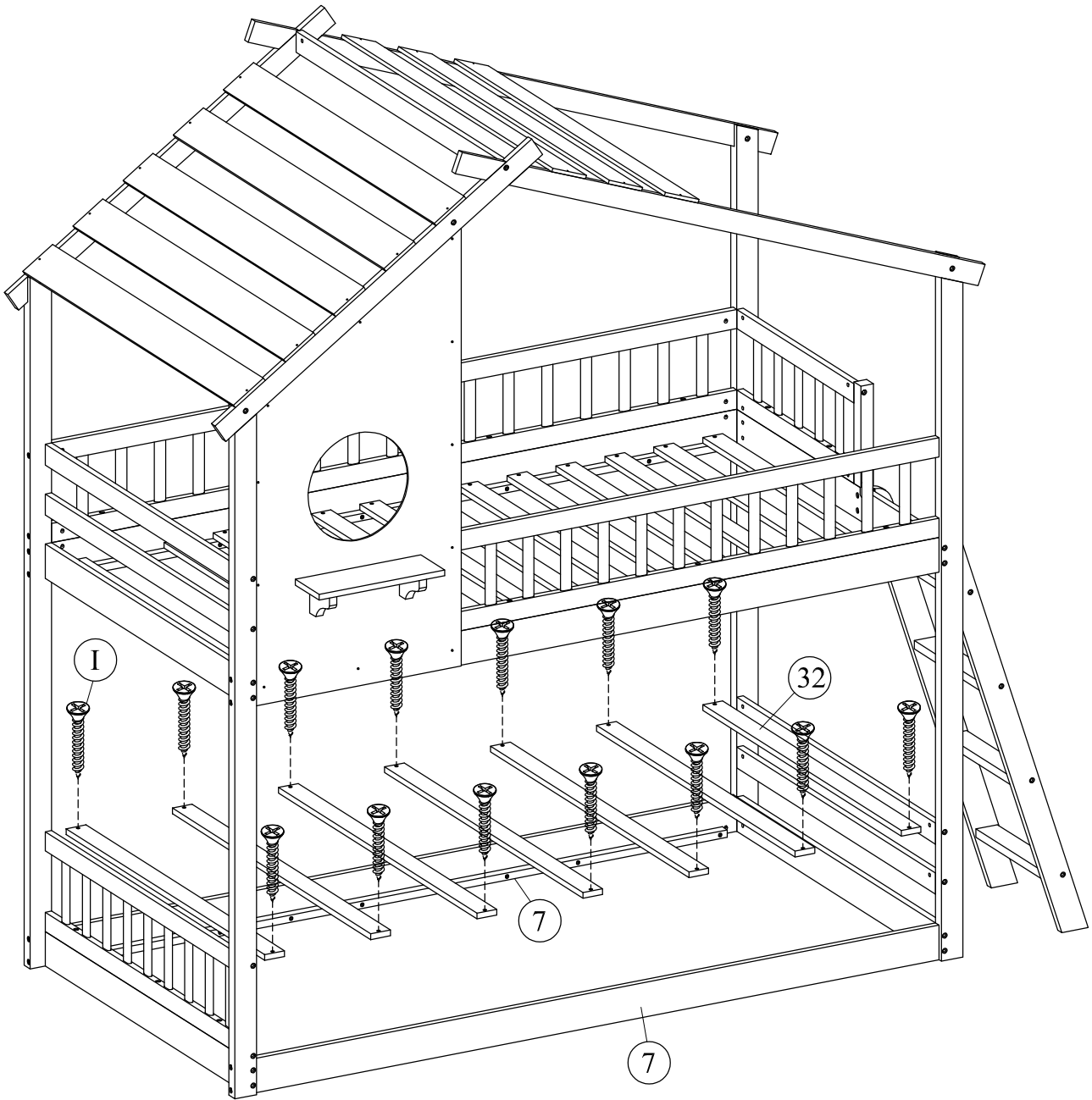
M	 #6*15mm	2pcs
---	--	------

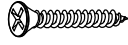
STEP 23:

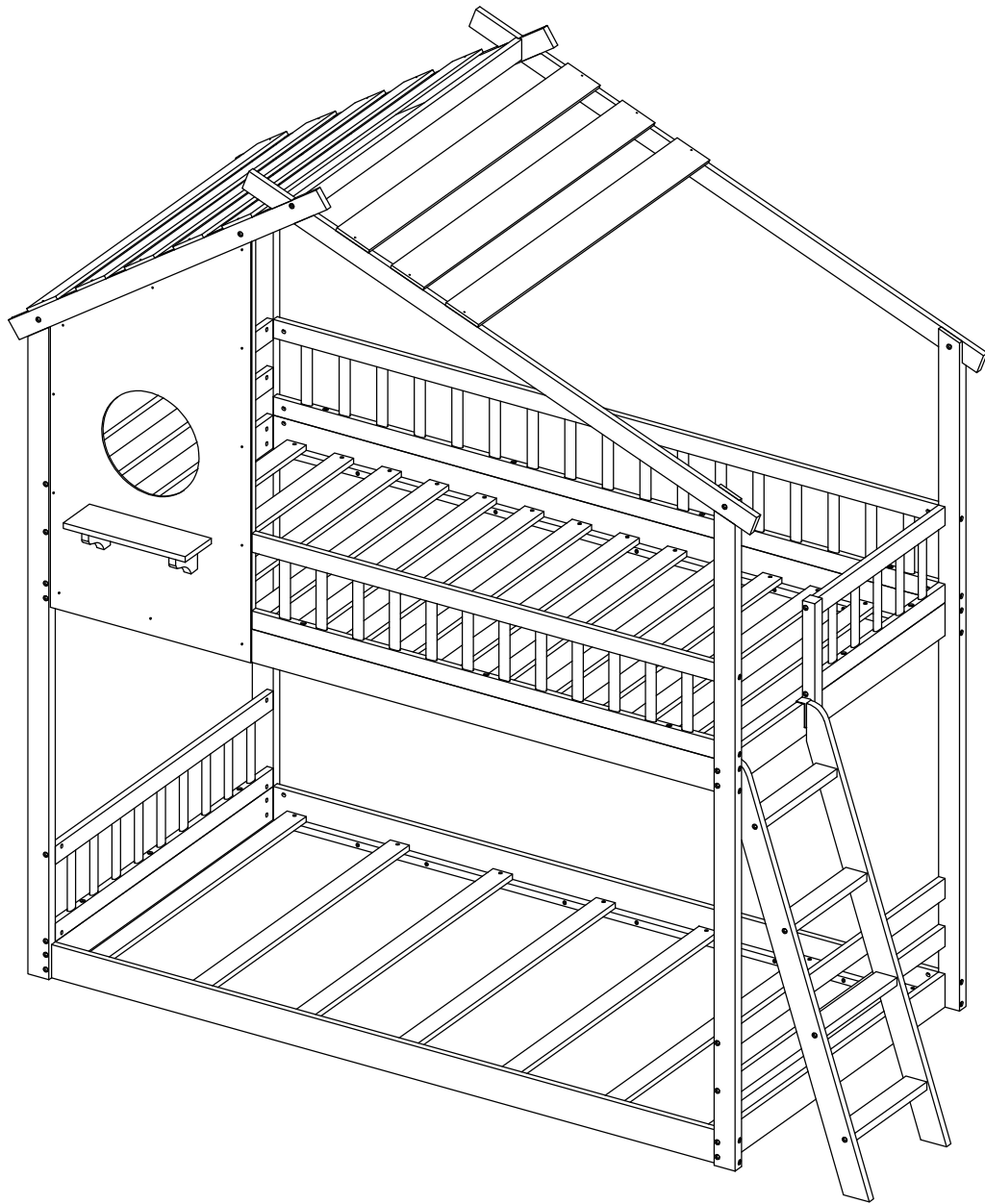


I	 #8*30mm	28pcs
---	--	-------

STEP 24:



I	 #8*30mm	14pcs
---	--	-------



Technical Support

(909)637-7665 | (909)637-7593

Other Info

HJ-Customer-Service@outlook.com

Thank you for choosing this product. We strive to provide you with the best quality products and service in the industry. Should you have any issues, please don't hesitate to contact us.