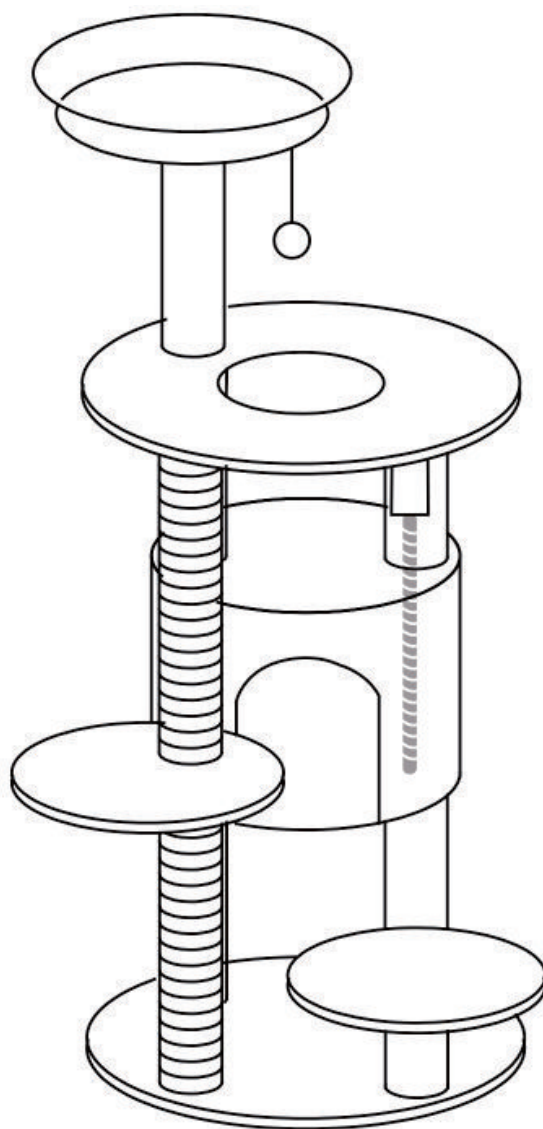


P



IMPORTANT, RETAIN FOR FUTURE REFERENCE: READ CAREFULLY

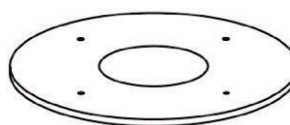
# ASSEMBLY & INSTRUCTION MANUAL

**PARTS**

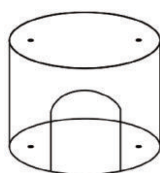
**A** x 1



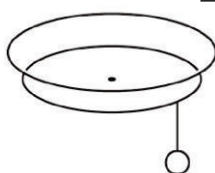
**B** x 1



**C** x 1



**D** x 1



**E** x 1



**F** x 1



**P1** x 2



**P2** x 5



**P3** x 1



**P4** x 2



**P5** x 1



**HARDWARE**

**W1** x 8



**W2** x 6



**W3** x 1



