



10'x12' Metal Patio Gazebo

ASSEMBLY MANUAL



MODEL#: LGMF8160C

Missing part? Damaged? Contact us via email at

service@domioutdoorliving.com

www.domioutdoorliving.com

Pre-assembly



1. Two or more people are required for assembly.



2. You will need one or more stepladders.



3. Wearing protective gloves is recommended.



4. You may need a safety hat.



5. Please use a Phillips screw driver.



6. For ease of construction, you may need a drill.



7. You may need a safety goggle.



8. Do not fully tighten screws prior to complete assembly.

Warning & Attention

-Try to assemble this product on the flat ground, otherwise it is difficult to carry out;

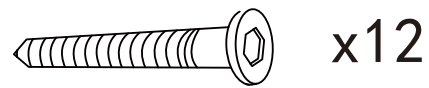
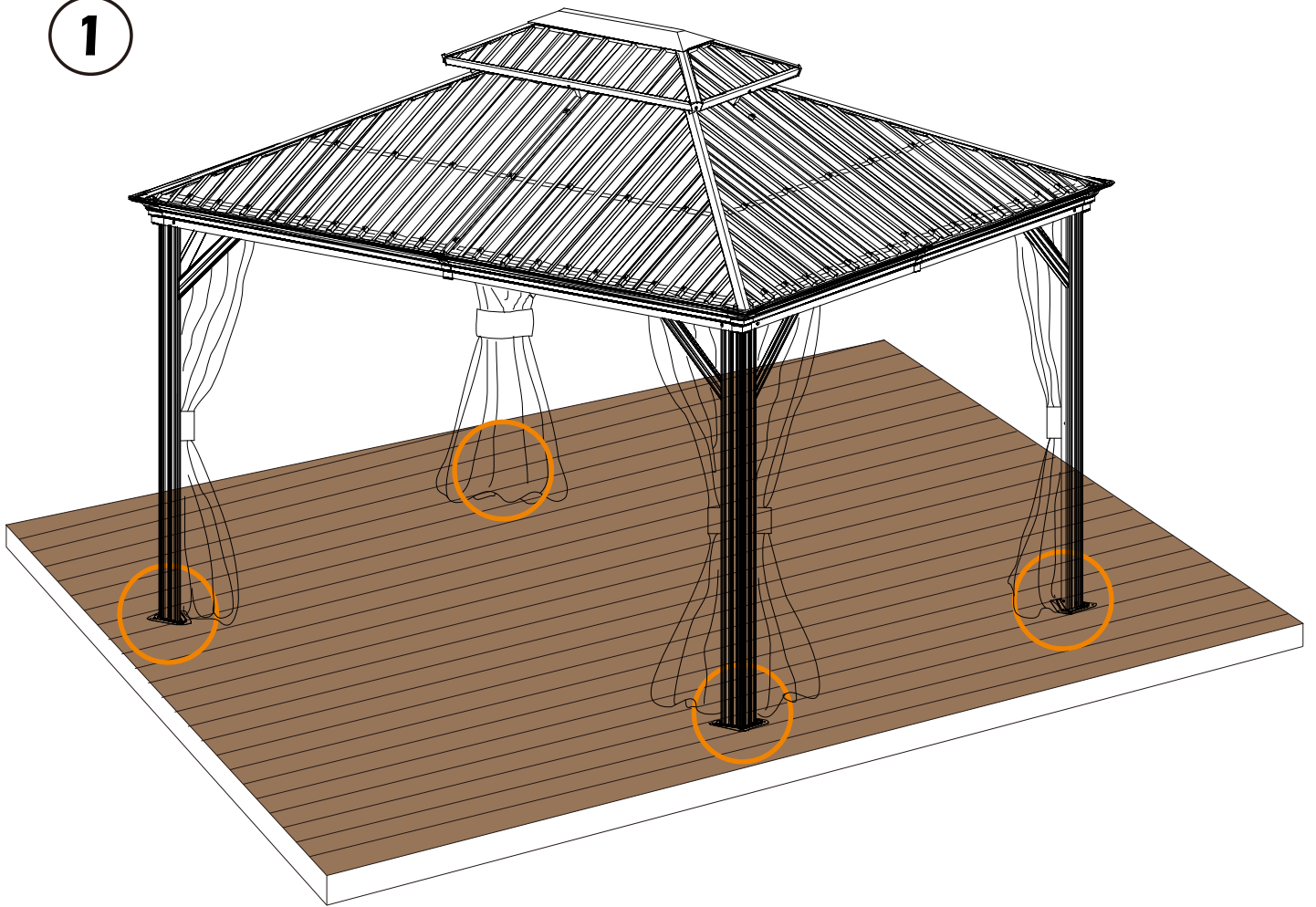
-It would be much easier to assemble the product with three or more people;

-After assembly, please check whether all screws are tightened, to prevent parts from falling apart.

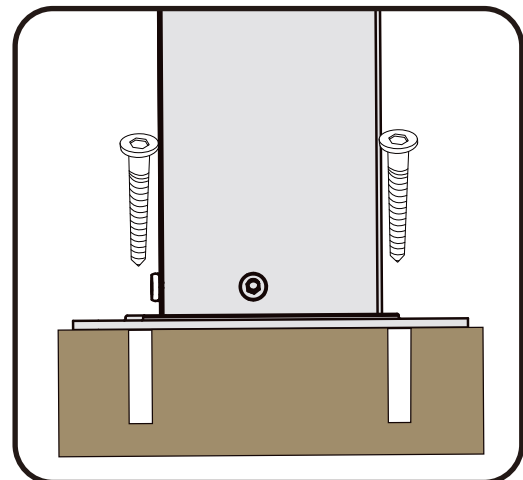
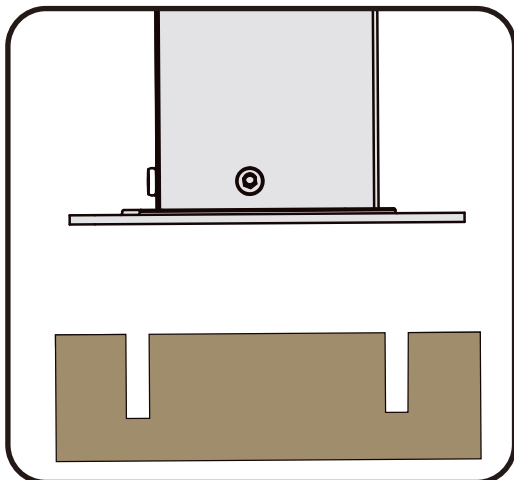
▲ Use bolts to secure the frame to the ground to against the strong wind.

IMPORTANT: A gaze may entail to purchase a municipal permit or be subject to specific building codes. It is the consumer's responsibility to inform themselves of any restrictions.

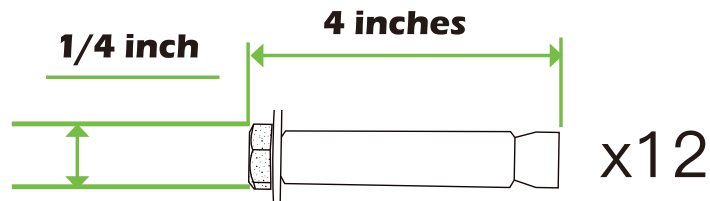
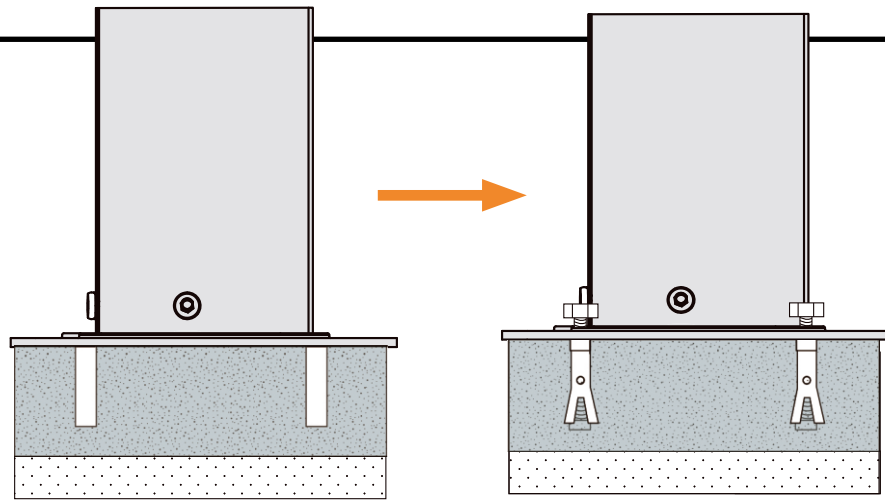
1



If the deck is hard wood and the depth of it is over 3 inch, you can use **5/16 in. x4 in. Structural Wood Screw** to mount the gazebo.

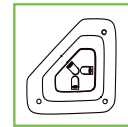
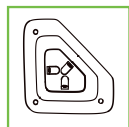
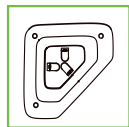


2



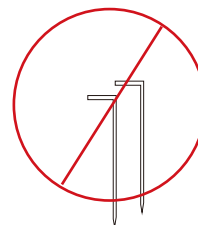
If the ground is concreted and the depth of it is over 3 inch, you can use 1/4 inch expansion bolts to mount the gazebo

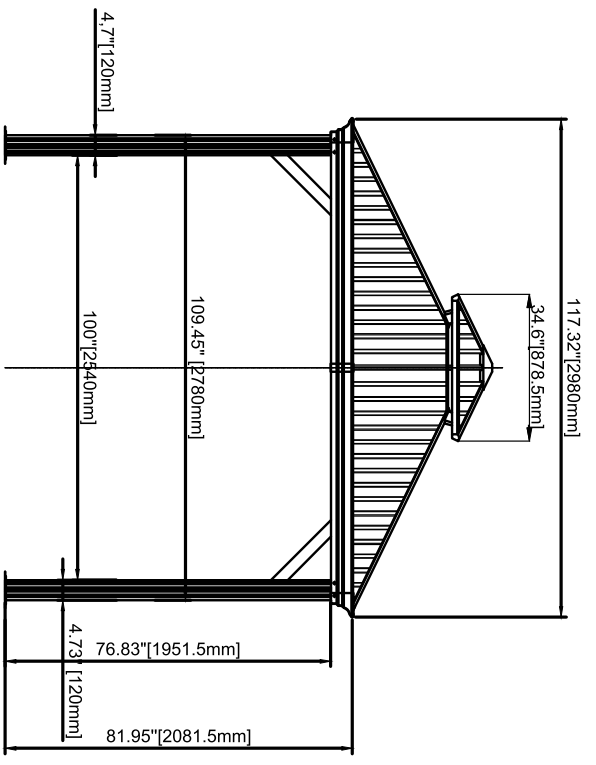
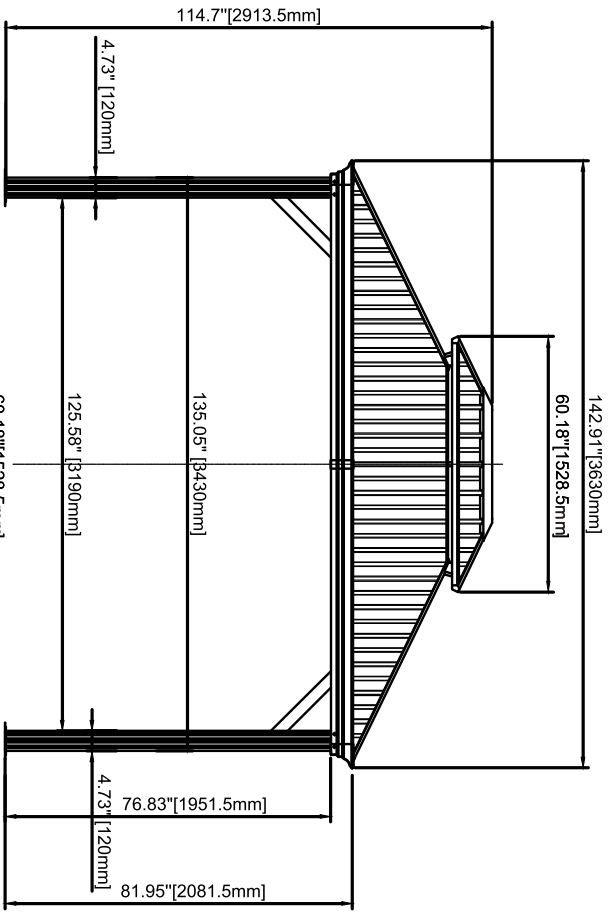
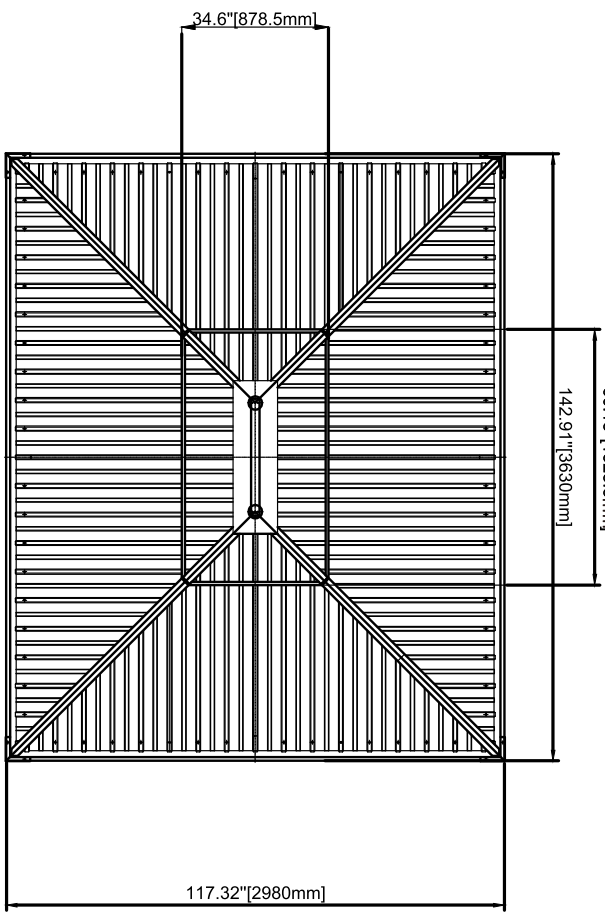
3





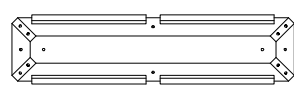

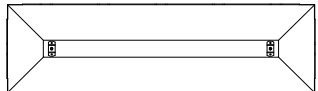

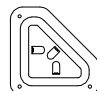





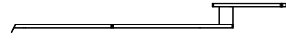

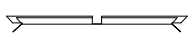

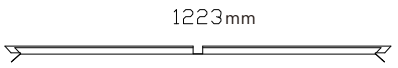


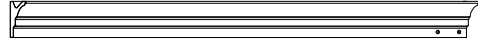


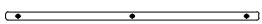
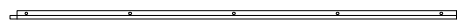
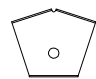
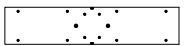





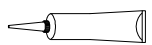
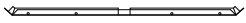

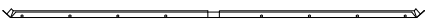
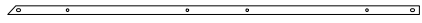


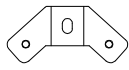
Or you can make a concrete footing for gazebo, **15×15×15 inches** is recommended. use expansion bolts to mount the pergola like ② shows.

IMPORTANT:
Anchor is not recommended





 Pole 2080mm A (x4)	 555 mm Corner Solidifying Bar J1 (x4)	 555 mm Corner Solidifying Bar J2 (x4)
 Beam 1390 mm B (x2)	 Inside Roof Connector 839mm K (x1)	
 Gap Cover 1286 mm B1 (x2)	 Outside Roof Cover 916 mm K1 (x1)	
 Sidewall Track 1267 mm B2 (x2)	 Base L (x4)	
 Beam 1390 mm C (x2)	 Corner Roof Tube Connector M (x4)	
 Gap Cover 1286 mm C1 (x2)	 Corner Roof Tube M1 (x4)	
 Sidewall Track 1267 mm C2 (x2)	 Roof Tube 1566 mm N (x4)	
 Beam 1715 mm D (x2)	 Finishing Bar 573 mm P (x2)	
 Gap Cover 1611 mm D1 (x2)	 Finishing Bar 1223 mm Q (x2)	
 Sidewall Track 1592 mm D2 (x2)	 Small Mesh Q1 (x1)	
 Beam 1715 mm E (x2)	 Plastic Tube Q2 (x2)	
 Gap Cover 1611 mm E1 (x2)	 Plastic Tube Q3 (x2)	
 Sidewall Track 1592 mm E2 (x2)	 R (x8)	
 Union Bar 600mm F (x4)	 Corner Cover G (x4)	 R1 (x2)
 Joint Cover H (x4)	 Joint Cover H1 (x4)	 Black Rubber S (x104)
	 Silicon Sealant H2 (x1)	 Finishing Bar 853 T1 (x2)
 Solidifying Bar 849,5mm U1 (x4)		 Finishing Bar 1503 mm T2 (x2)
 Solidifying Bar 1174,5mm U2 (x4)		



Bracket

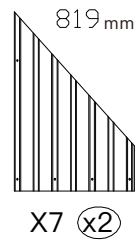
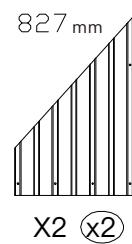
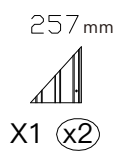
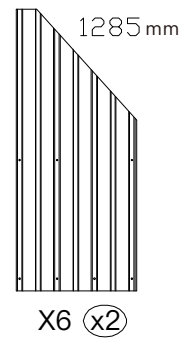
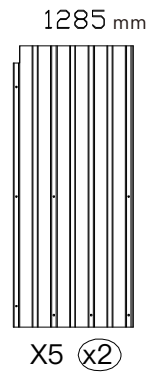
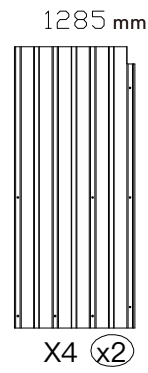
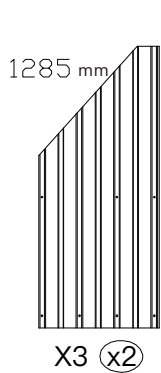
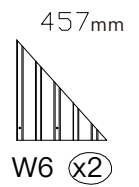
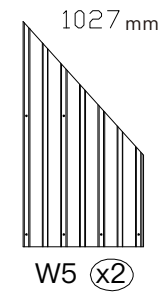
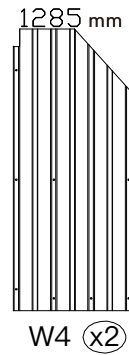
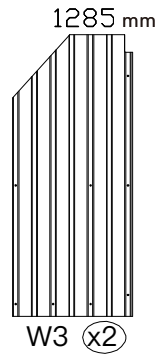
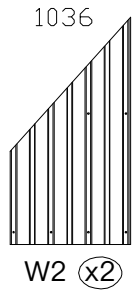
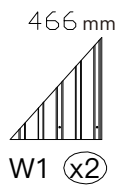
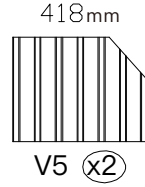
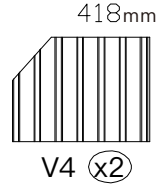
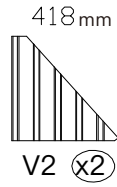
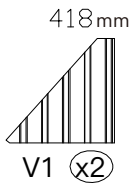
U3 (x4)

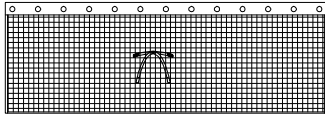


Bracket

U4 (x4)

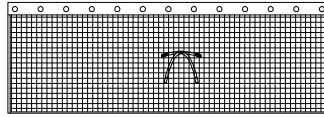
Roof Panels:





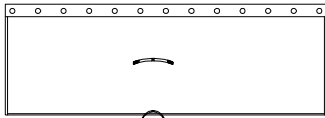
Mosquito Netting

Y1 (x2)



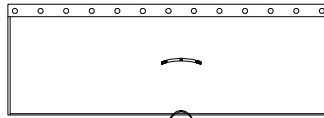
Mosquito Netting

Y2 (x2)



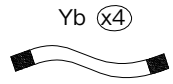
Solid Sidewall

Y1a (x2)



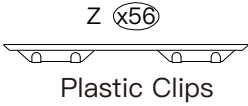
Solid Sidewall

Y2a (x2)



Strap

Yb (x4)



Plastic Clips

Z (x56)



Plastic Clips

Z1 (x4)



Plastic Clips

Z2 (x4)



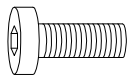
Plastic Clips

Z3 (x4)



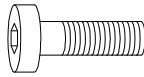
Plastic Clips

Z4 (x4)



M6x16

1#
x192

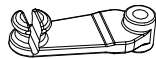


M6x20

2#
x24

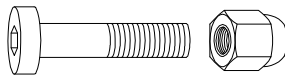


3#
x16



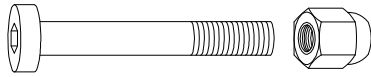
Plastic Hook

4#
x104



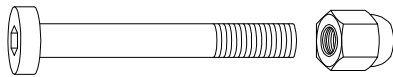
M6x28

5#
x64



M6x45

6#
x8



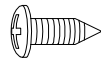
M6x50

7#
x28



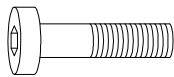
M5x16

8#
x4



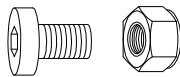
ST4.8x13

9#
x24



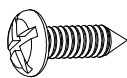
M6x25

10#
x4



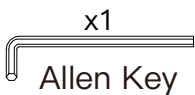
M6x12

11#
x8



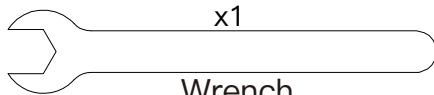
ST6.3*15

12#
x12



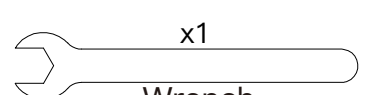
Allen Key

x1



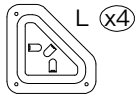
Wrench

x1



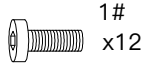
Wrench

x1

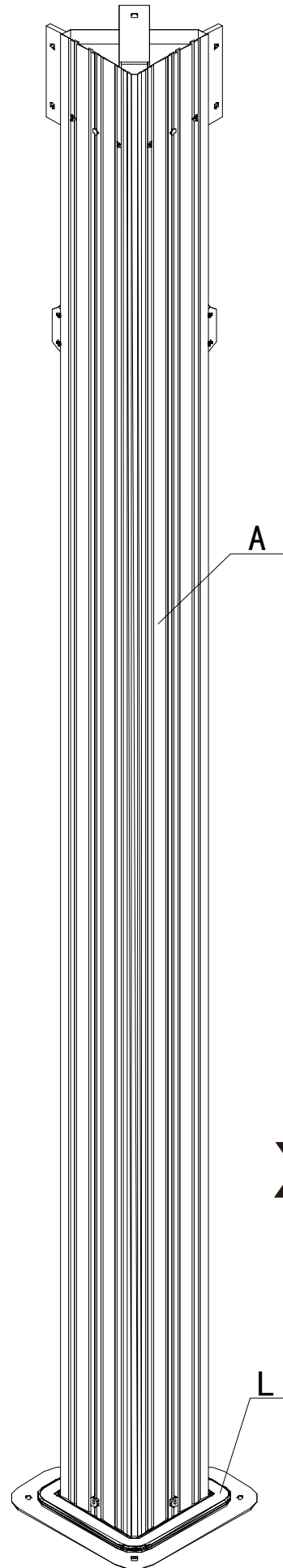


Assemble the Poles:

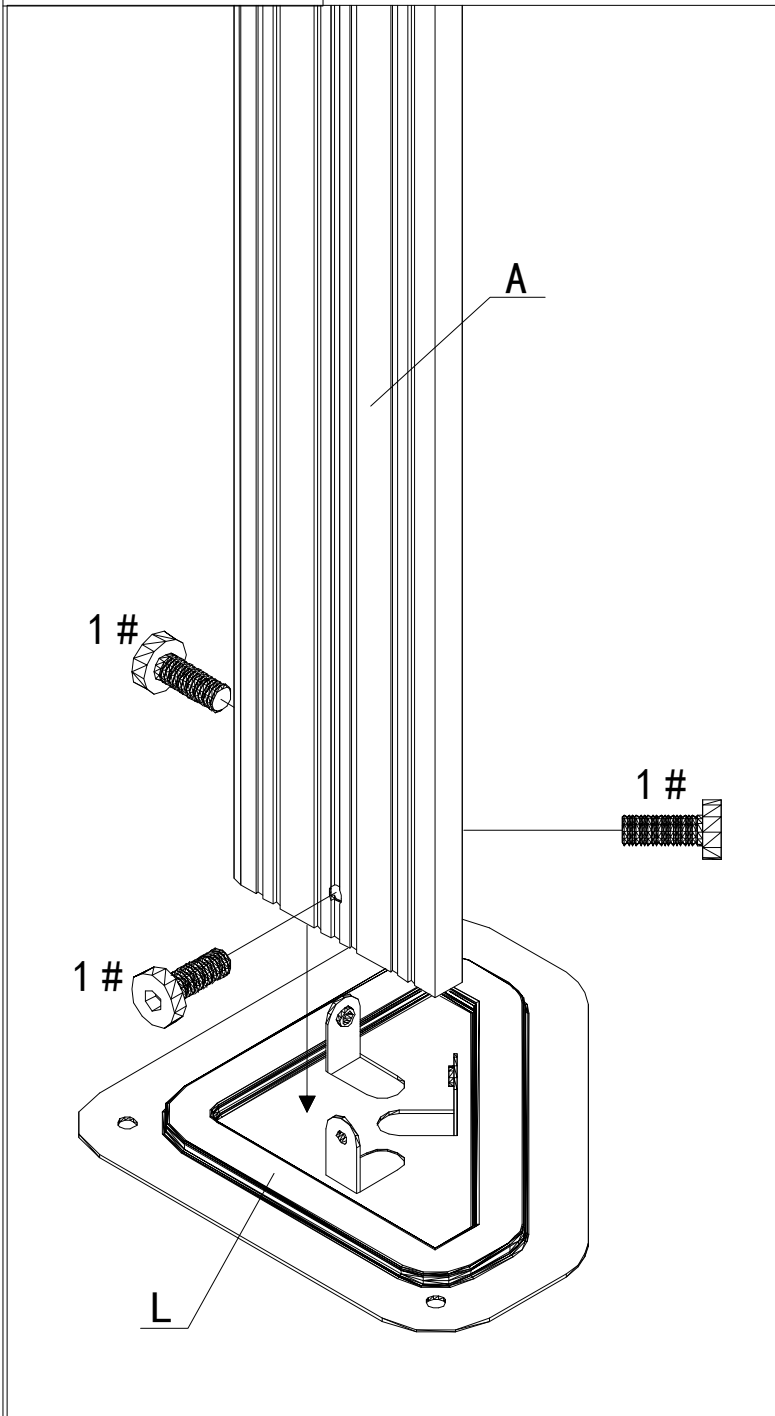
Attach Base #L to Pole #A with 3 Bolts #1.

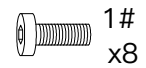
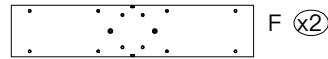
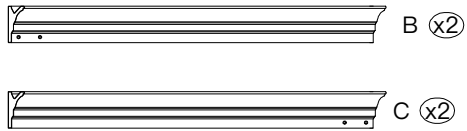


A (x4)

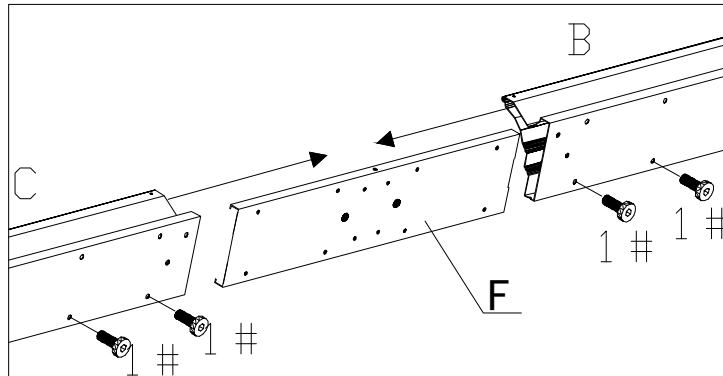


X4





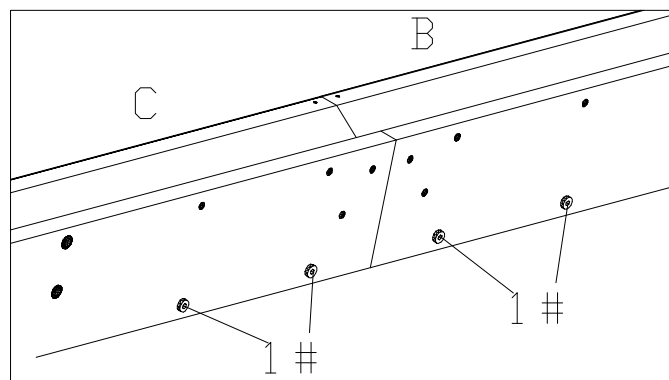
Assemble the Beams:



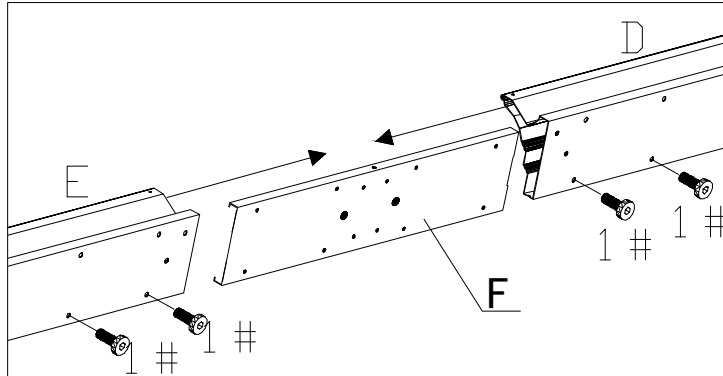
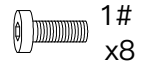
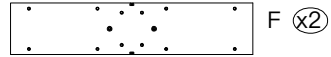
(1) Insert Union Bar #F into Beam #C, and secure with 2 Bolts #1.

(2) Insert the other side of Union Bar #F into Beam #B and secure with 2 Bolts #1.

Repeat the above procedures to assemble the other Beam #C and #B.



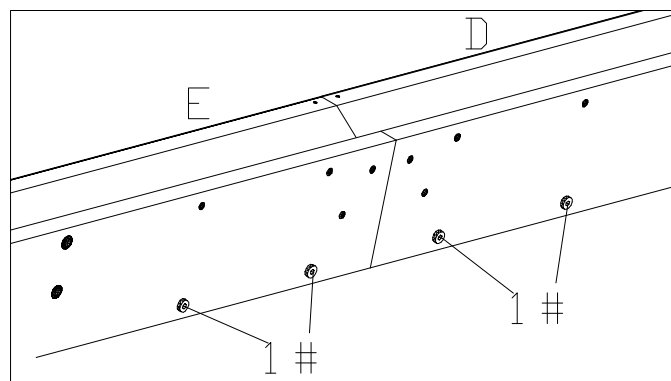
TIPS: It's a normal situation that there's a gap between the 2 beams, please use silicone sealant (part #H2) and Joint Cover #H to affix the gap.(see P9)



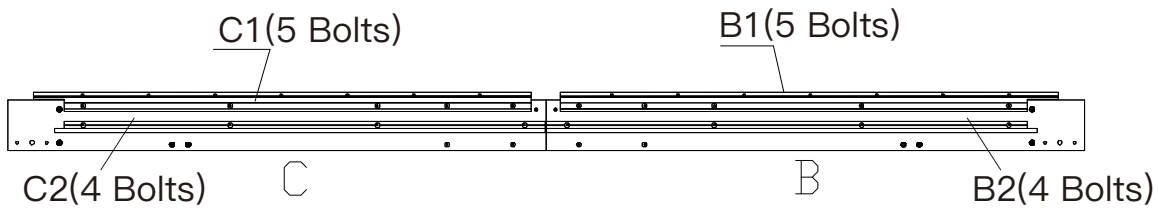
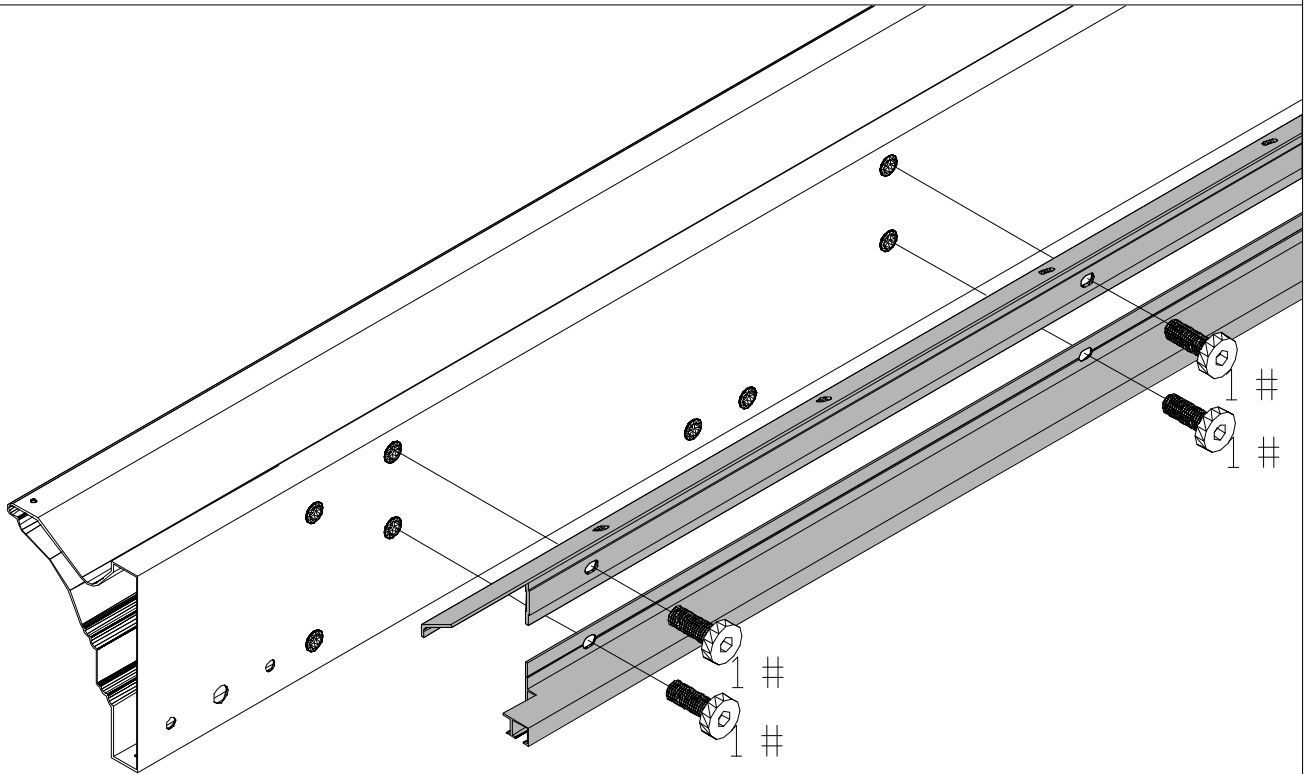
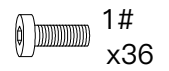
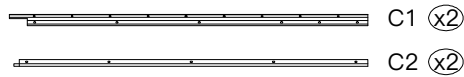
(1) Insert Union Bar #F into Beam #E, and secure with 2 Bolts #1.

(2) Insert the other side of Union Bar #F into Beam #D and secure with 2 Bolts #1.

Repeat the above procedures to assemble the other Beam #E and #D.

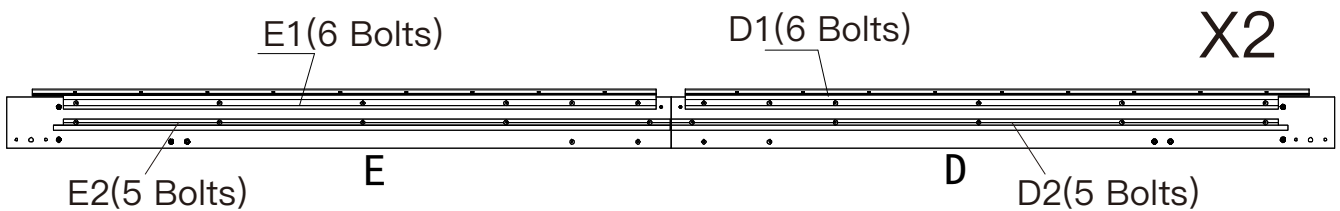
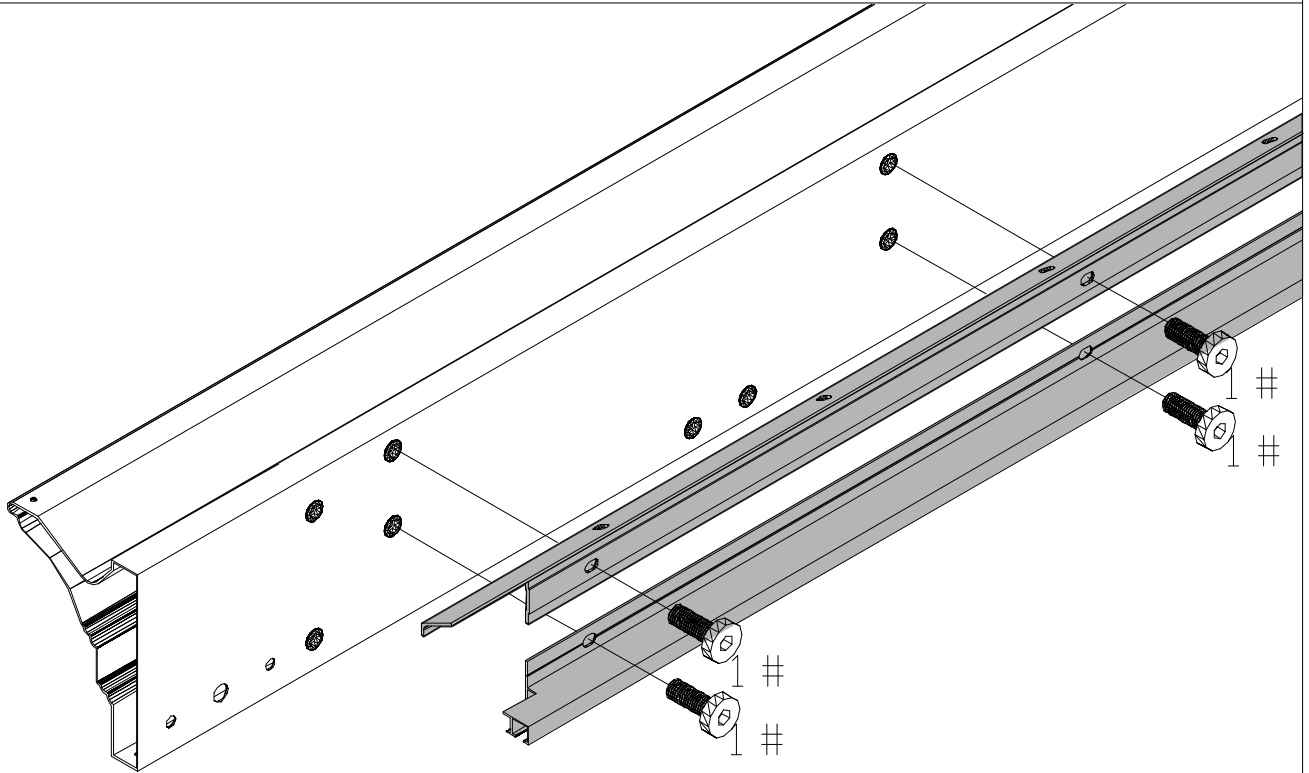
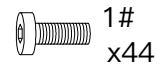
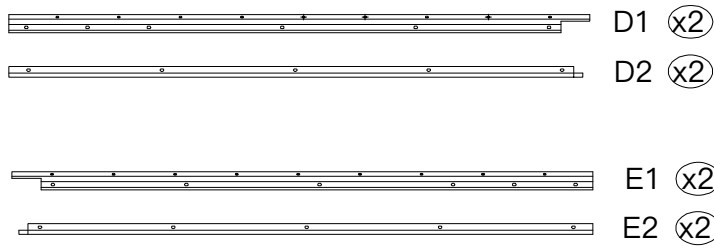


TIPS: It's a normal situation that there's a gap between the 2 beams, please use silicone sealant (part #H2) and Joint Cover #H to affix the gap.(see P9)



X2

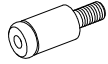
- (1) Use 5 Bolts #1 to secure the Gap Cover #C1 to the Beam #C as shown;
 - (2) Use 4 Bolts #1 to secure the Track #C2 to the Beam #C as shown;
 - (3) Use 5 Bolts #1 to secure the Gap Cover #B1 to the Beam #B as shown;
 - (4) Use 4 Bolts #1 to secure the Track #B2 to the Beam #B as shown.
- Repeat the same steps to assemble the other Gap Covers (#C1, #B1) and Sidewall Tracks (#C2, #B2).**



- (1) Use 6 Bolts #1 to secure the Gap Cover #E1 to the Beam #E as shown;
 - (2) Use 5 Bolts #1 to secure the Track #E2 to the Beam #E as shown;
 - (3) Use 6 Bolts #1 to secure the Gap Cover #D1 to the Beam #D as shown;
 - (4) Use 5 Bolts #1 to secure the Track #D2 to the Beam #D as shown.
- Repeat the same steps to assemble the other Gap Covers (#E1, #D1) and Sidewall Tracks (#E2, #D2).

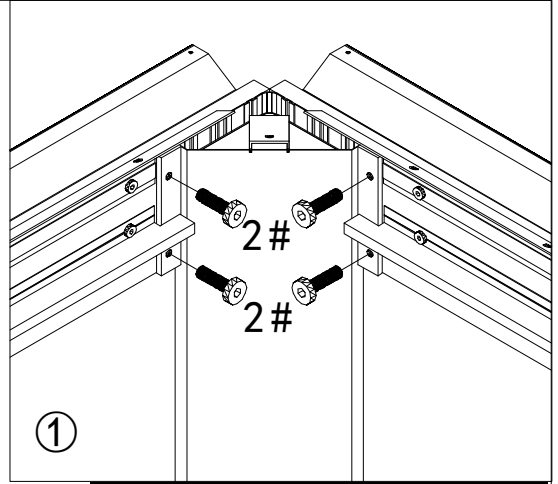


2#
x16

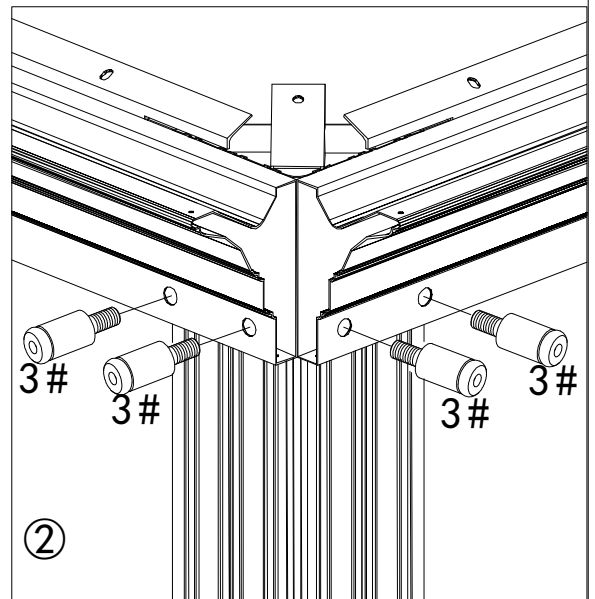
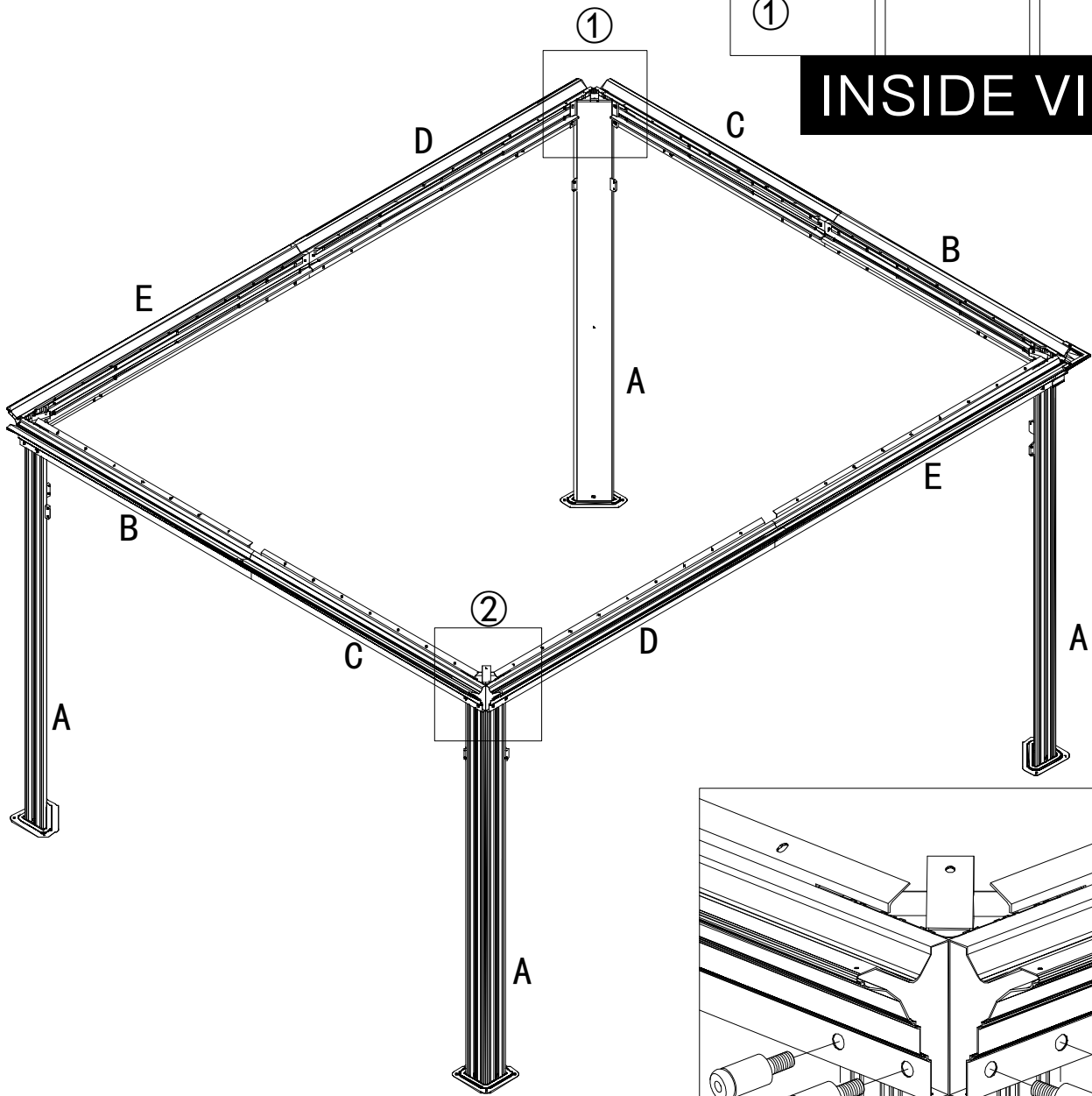


3#
x16

Assemble the Frame:



INSIDE VIEW



OUTSIDE VIEW

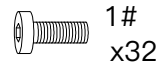
Please don't tighten all bolts.



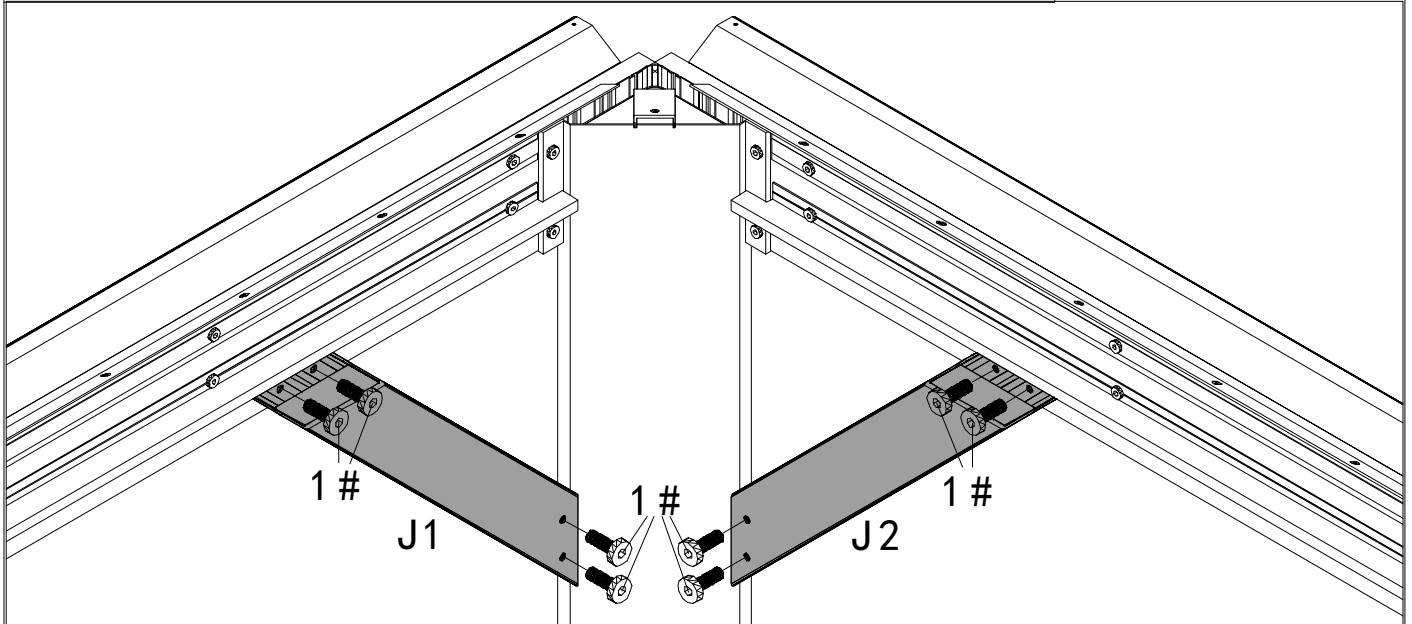
J1 (x4)



J2 (x4)

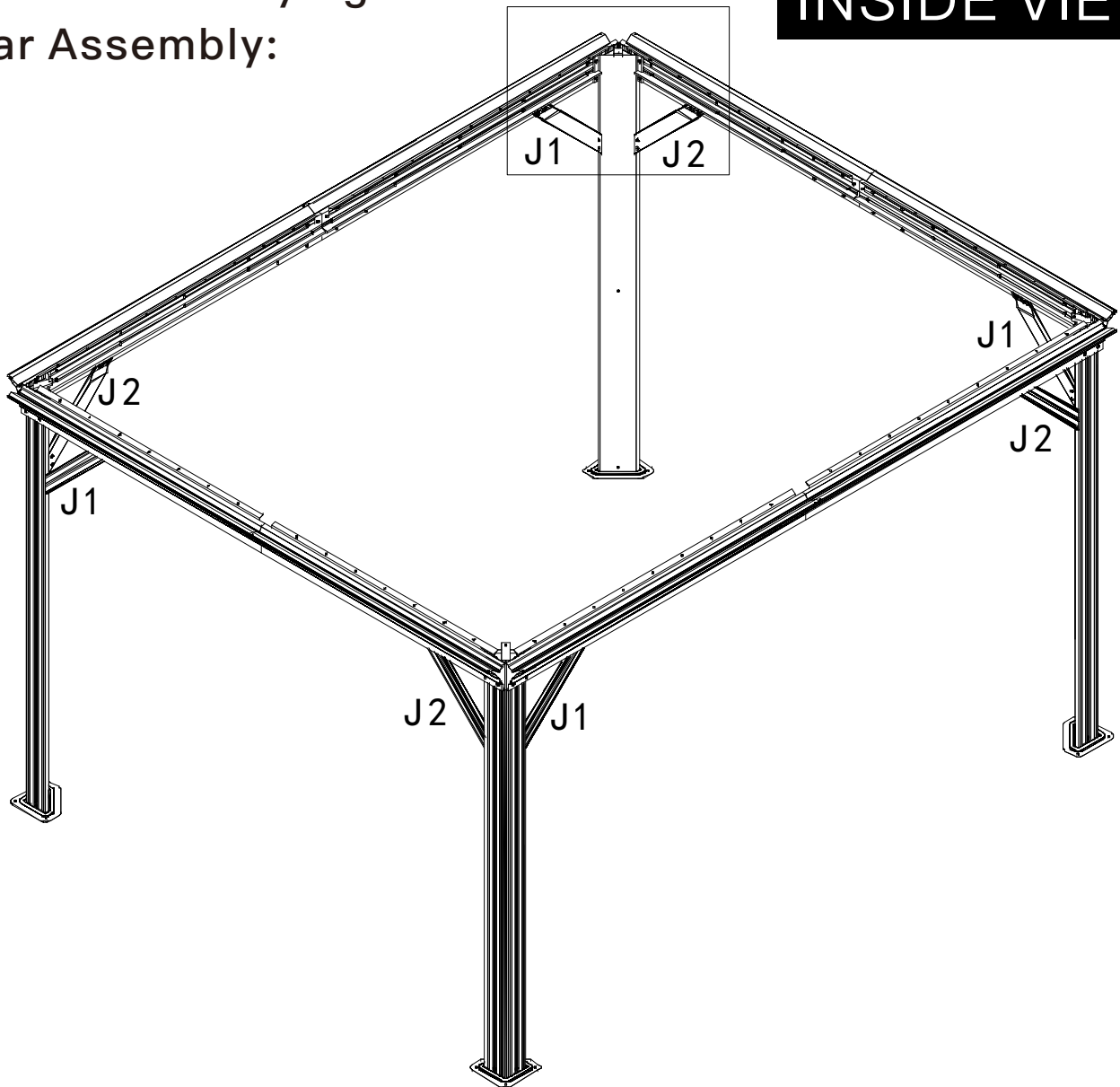


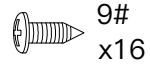
1#
x32



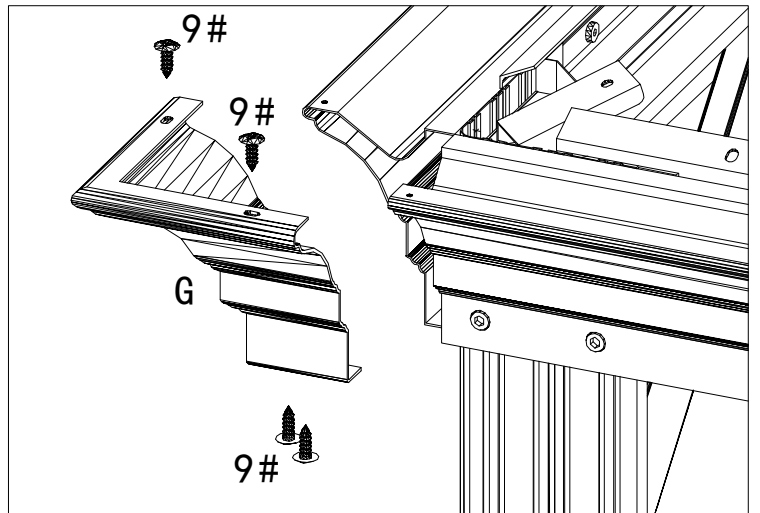
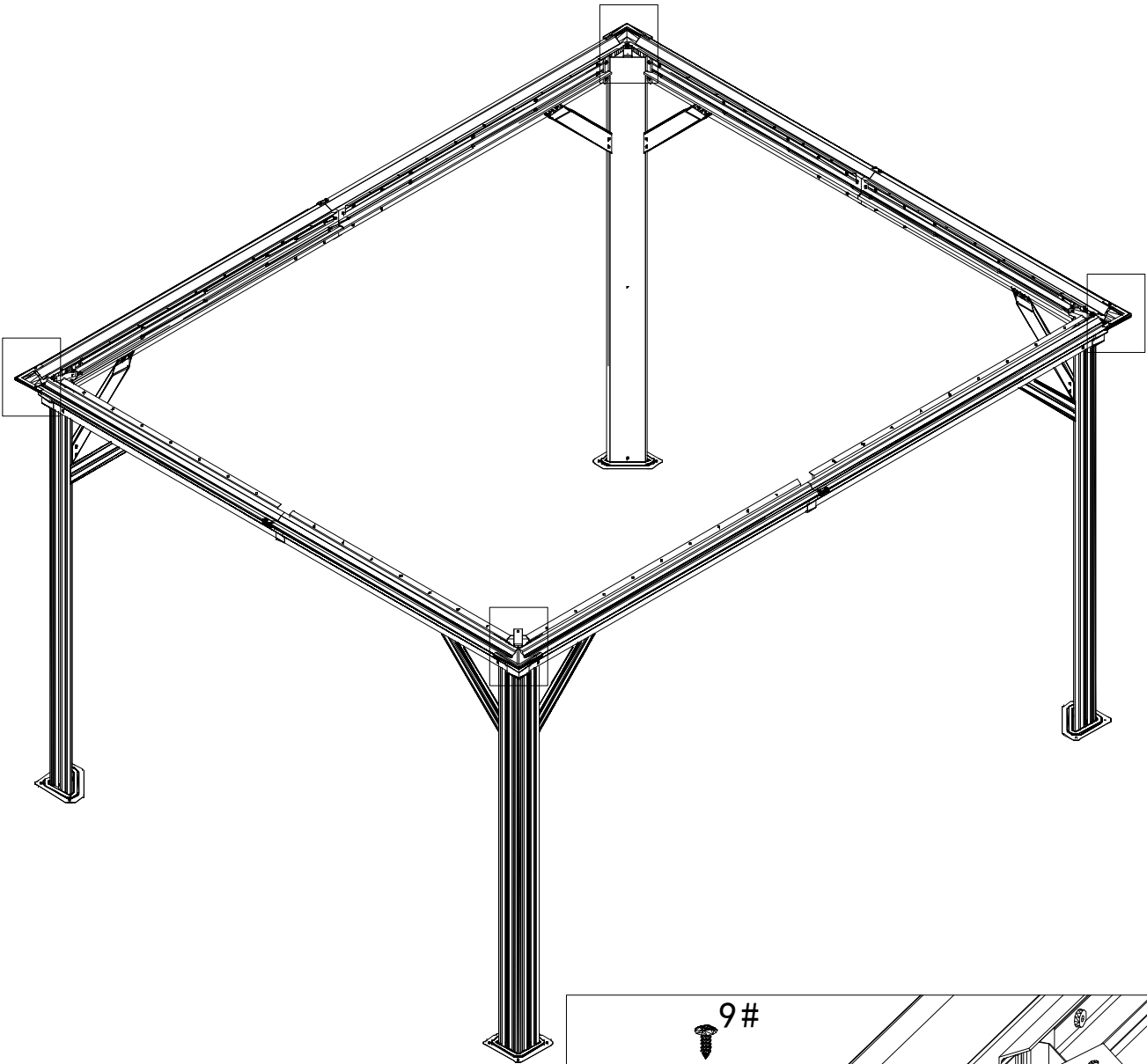
Corner Solidifying
Bar Assembly:

INSIDE VIEW





Corner Cover & Joint Cover Assembly:





H (x4)

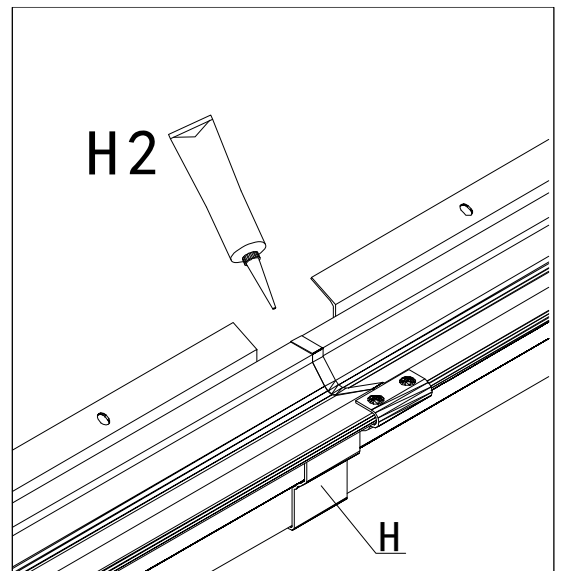
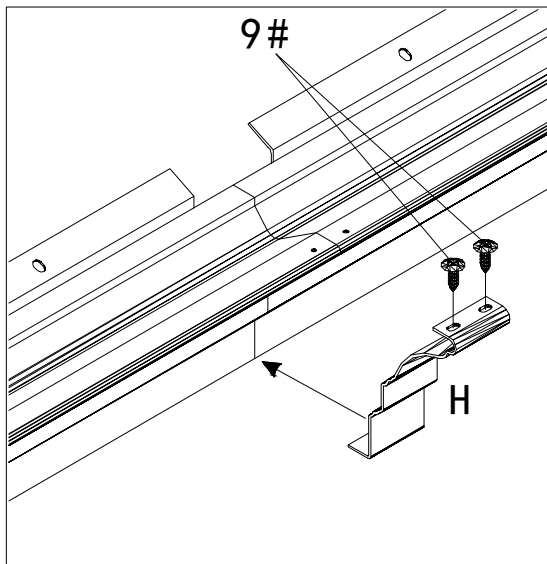
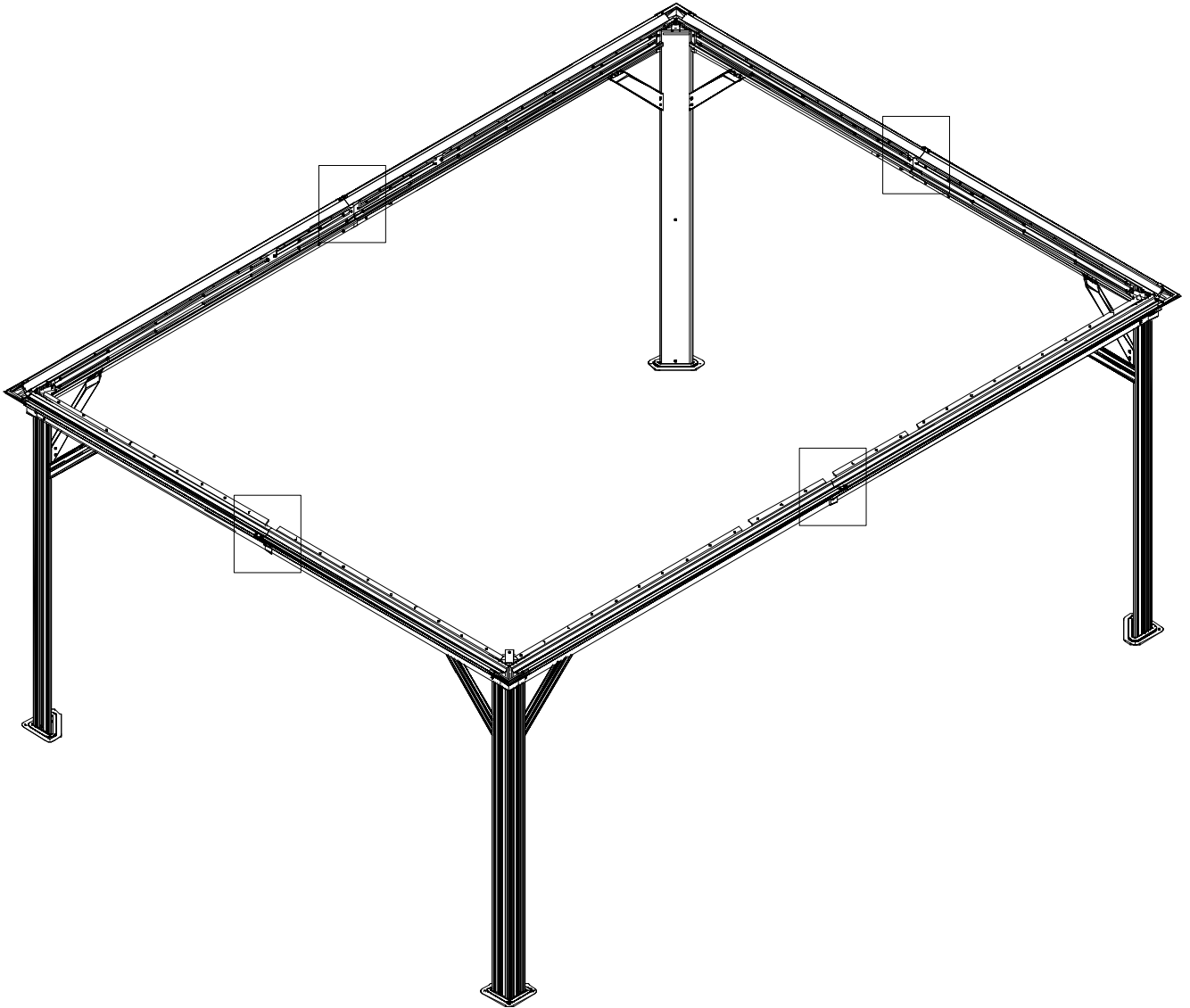


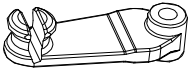
9#
x8



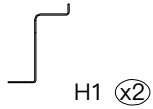
H2 (x1)

Use 5mm silicone sealant(part #H2) and Joint Cover #H to affix the gap.





4#
x48



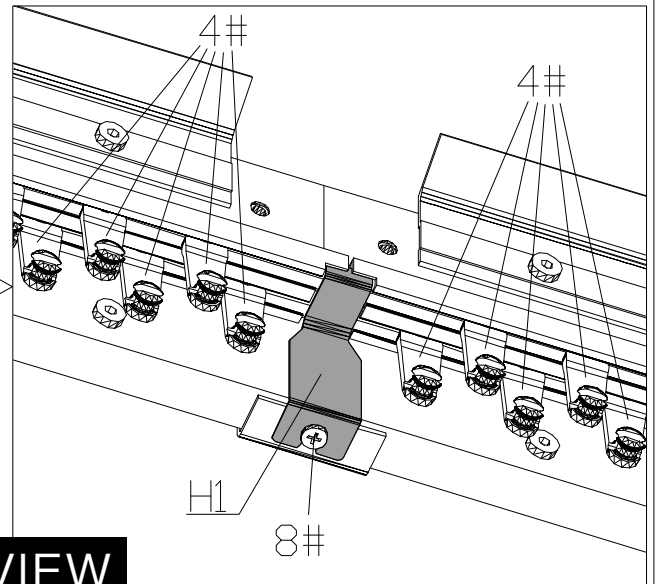
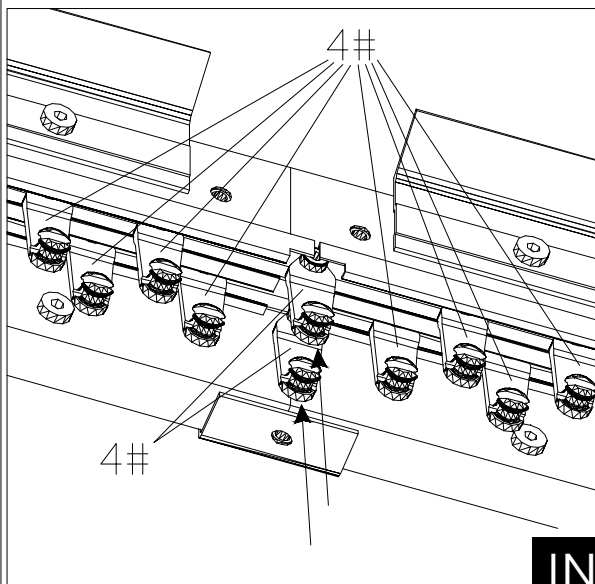
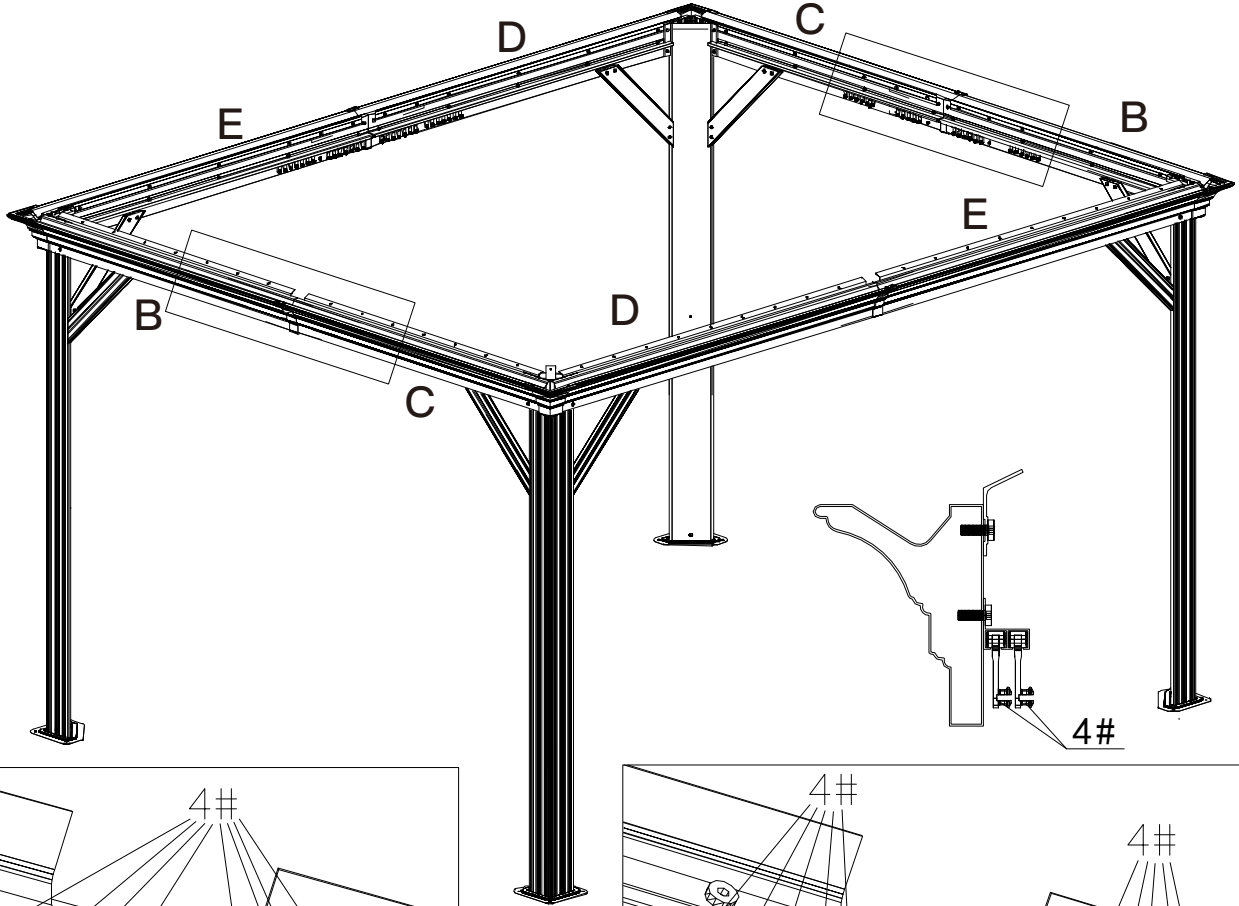
H1 (x2)



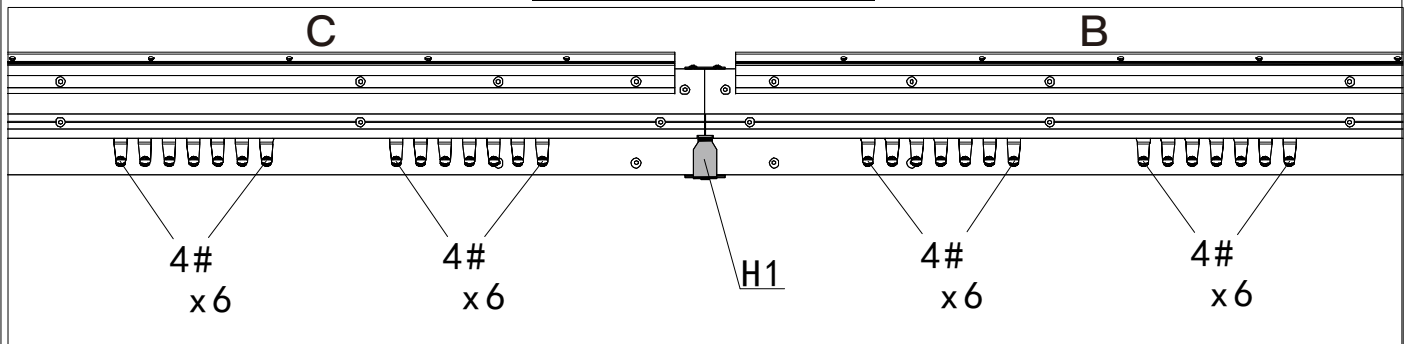
8#
x2

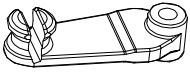
(1) Slide the plastic hooks to the double-rail track #C2&B2 (each slot should slide 6 plastic hooks).

(2) Use Bolt #8 to secure the Joint Cover #H & H1 to the beam.

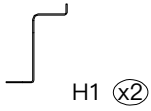


INSIDE VIEW





4#
x56



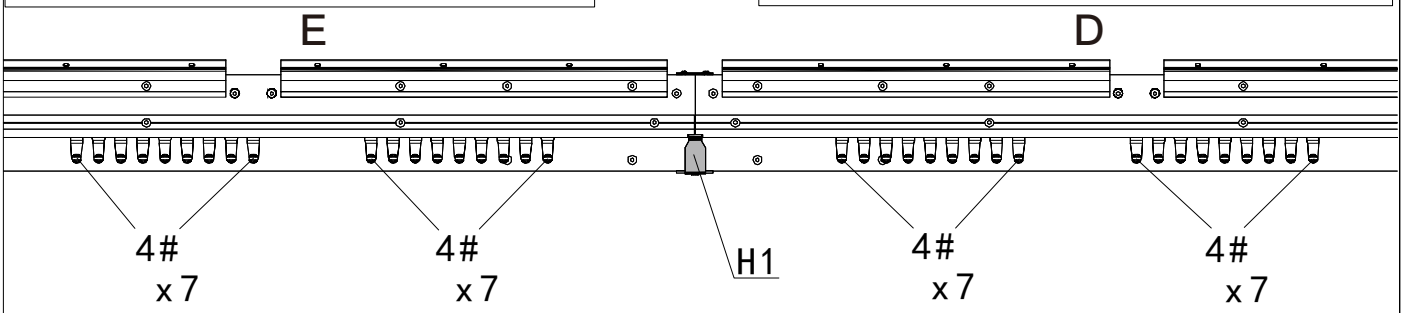
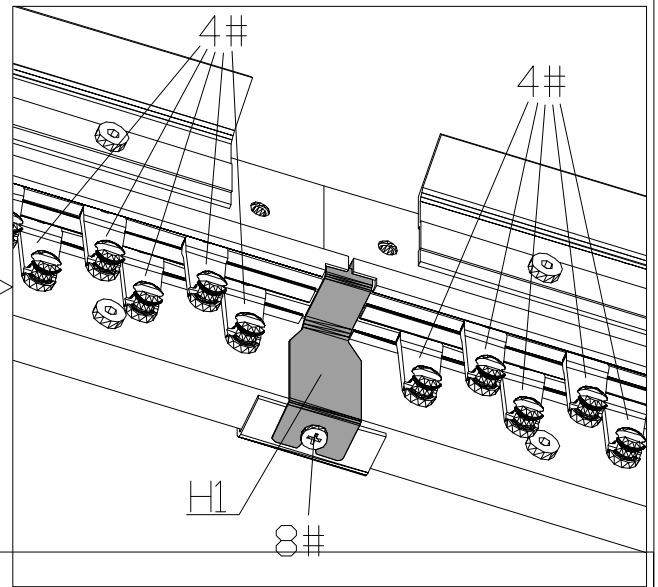
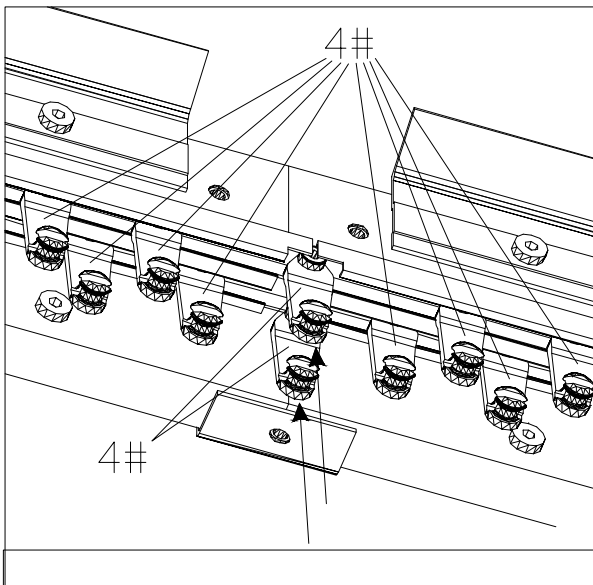
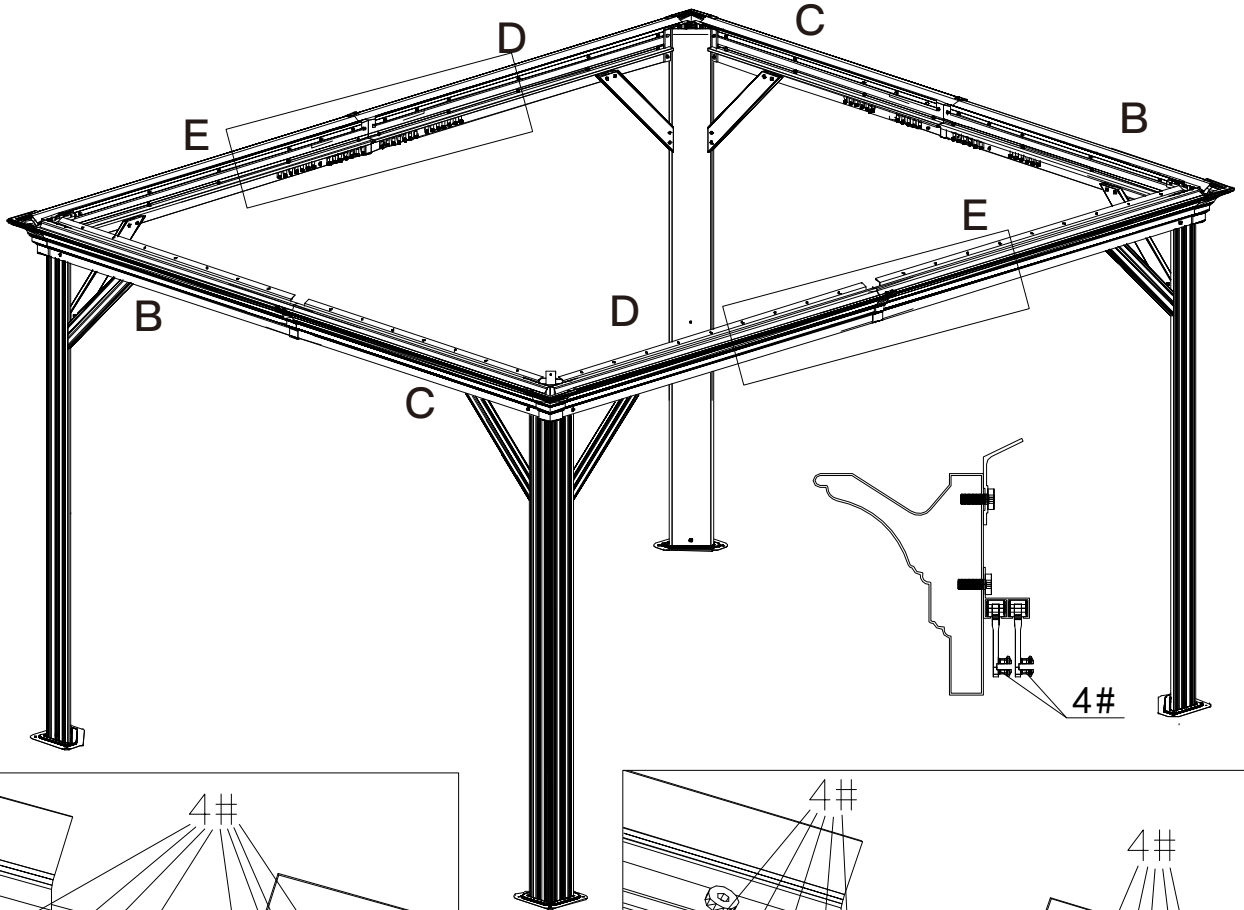
H1 (x2)



8#
x2

(1) Slide the plastic hooks to the double-rail track #E2&D2 (each slot should slide 7 plastic hooks).

(2) Use Bolt #8 to secure the Joint Cover #H & H1 to the beam.

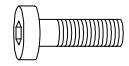




M (x4)

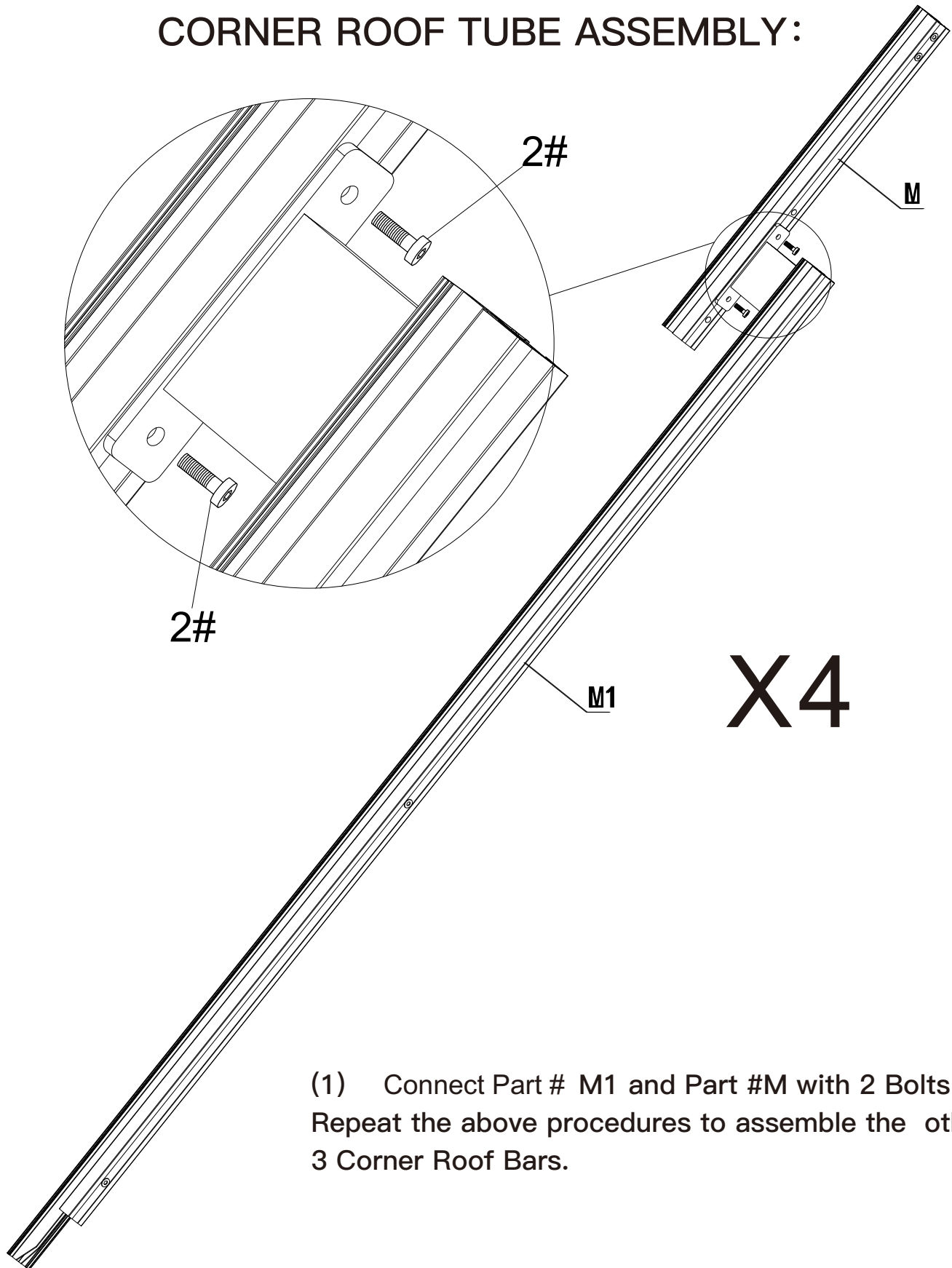


M1 (x4)

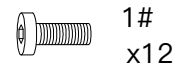
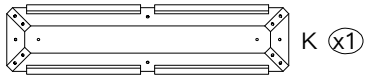


2#
x8

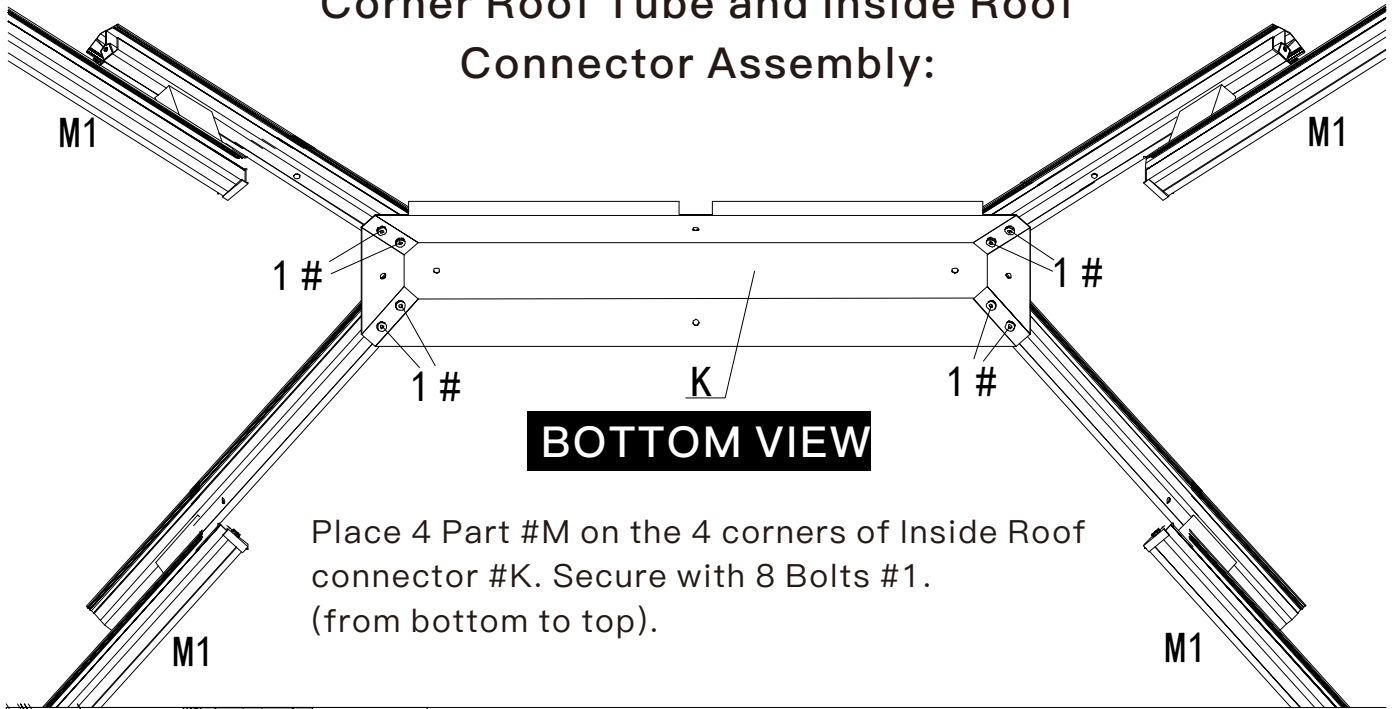
CORNER ROOF TUBE ASSEMBLY:



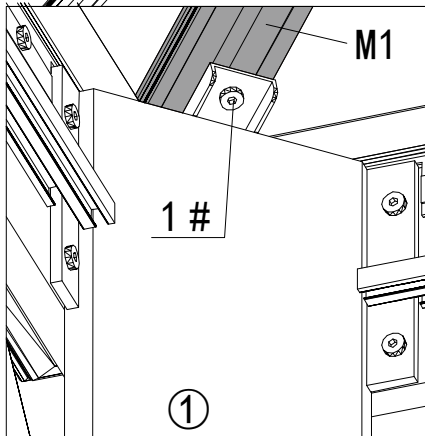
- (1) Connect Part # M1 and Part #M with 2 Bolts #2. Repeat the above procedures to assemble the other 3 Corner Roof Bars.



Corner Roof Tube and Inside Roof Connector Assembly:

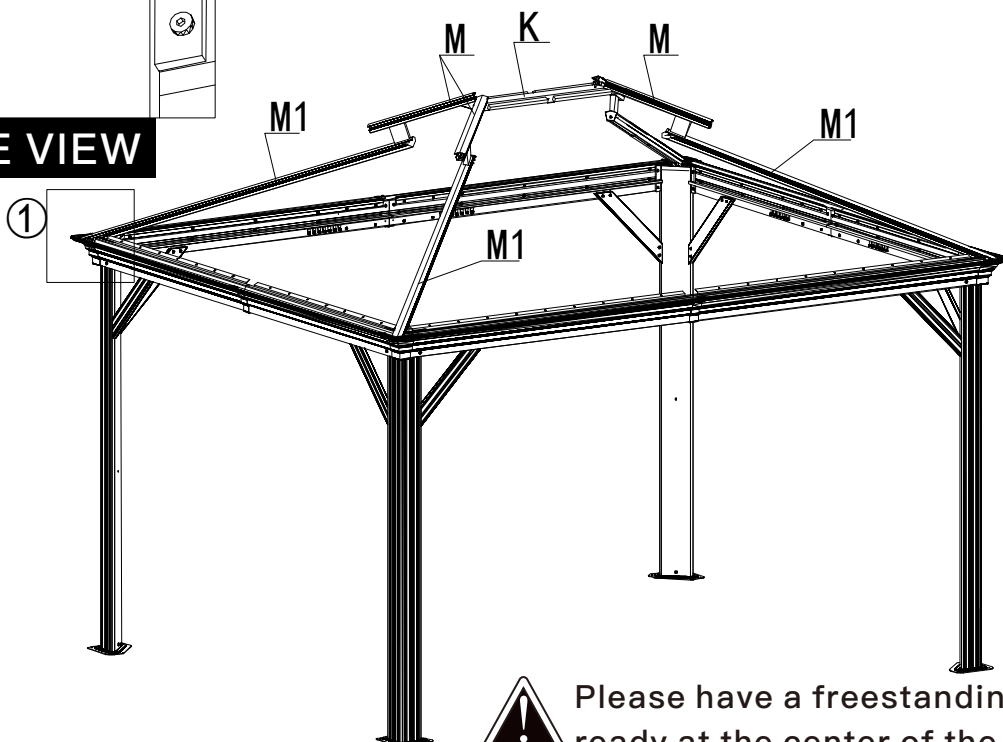


Place 4 Part #M on the 4 corners of Inside Roof connector #K. Secure with 8 Bolts #1. (from bottom to top).

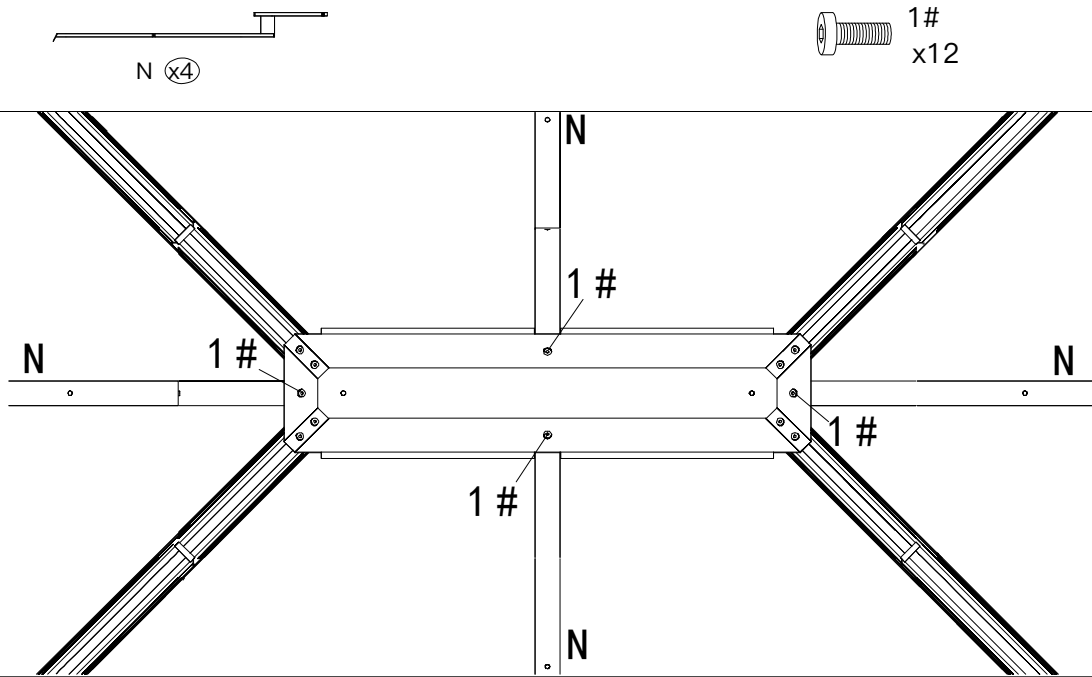


INSIDE VIEW

Place 4 Part #M1 on the Poles; Secure with 4 Bolts #1.

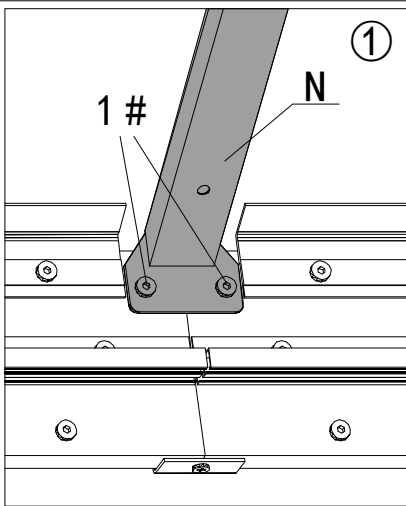


Please have a freestanding ladder ready at the center of the gazebo.

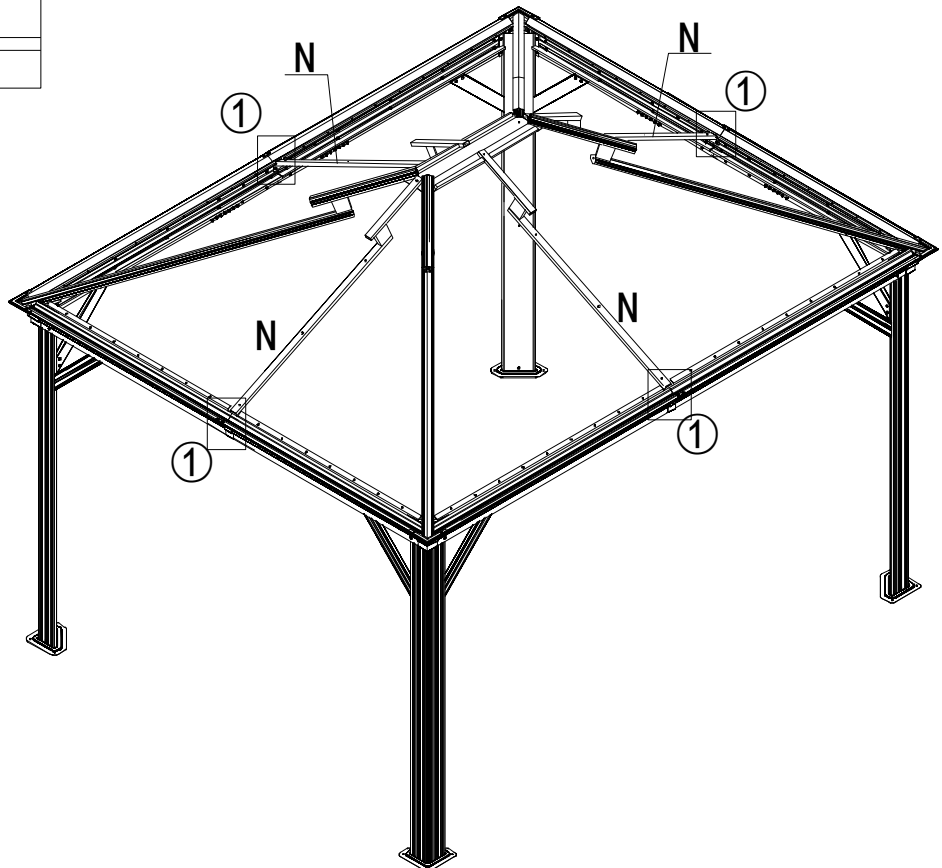


BOTTOM VIEW

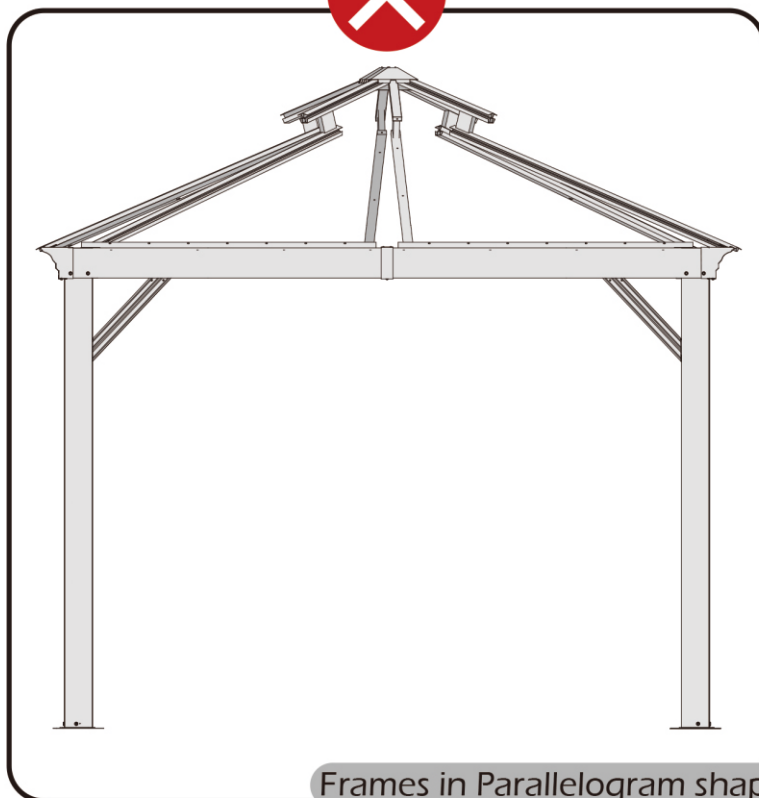
Middle Roof Tube #N Assembly:



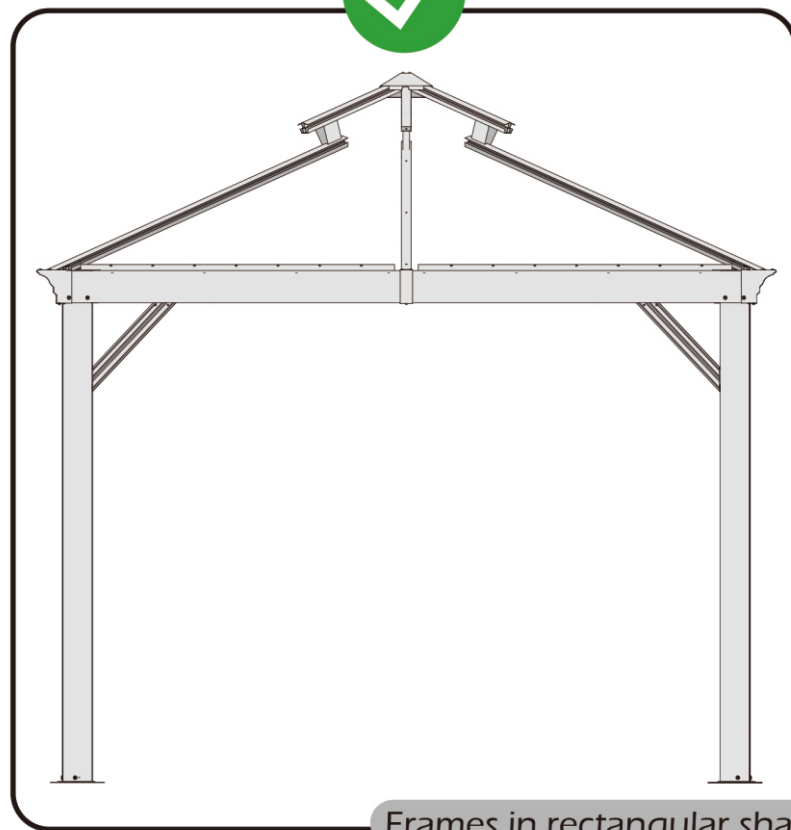
INSIDE VIEW



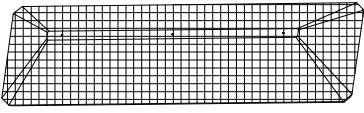
Check the the frame as pictures below shows.



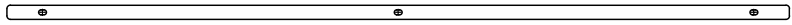
Frames in Parallelogram shape



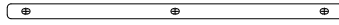
Frames in rectangular shape



Q1 (x1)

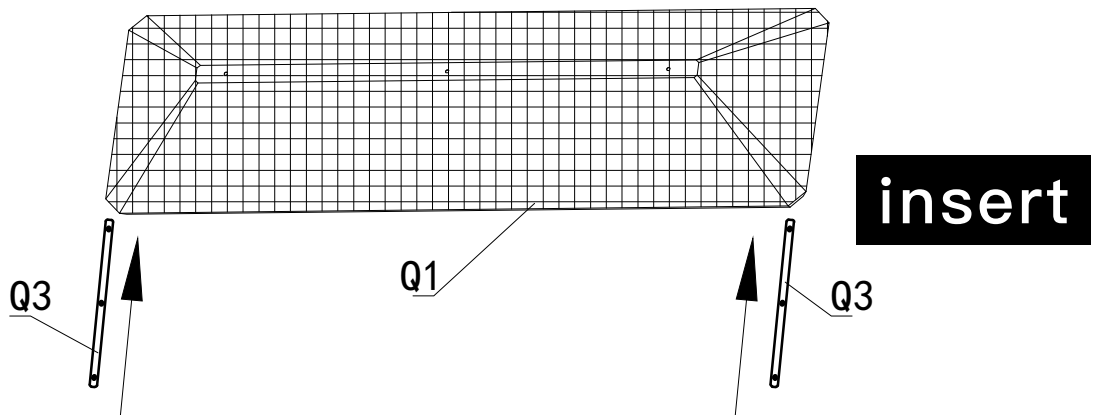
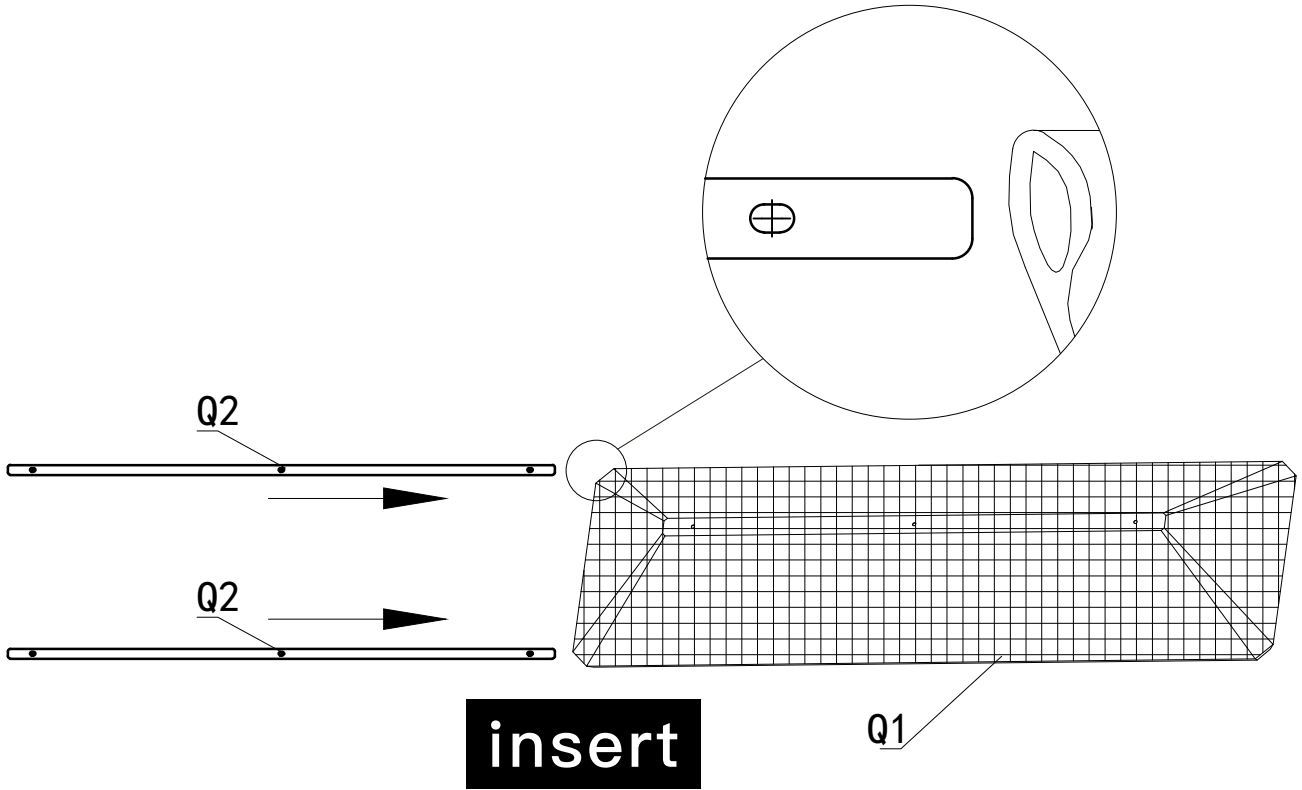


Q2 (x2)



Q3 (x2)

Plastic Bar Assembly





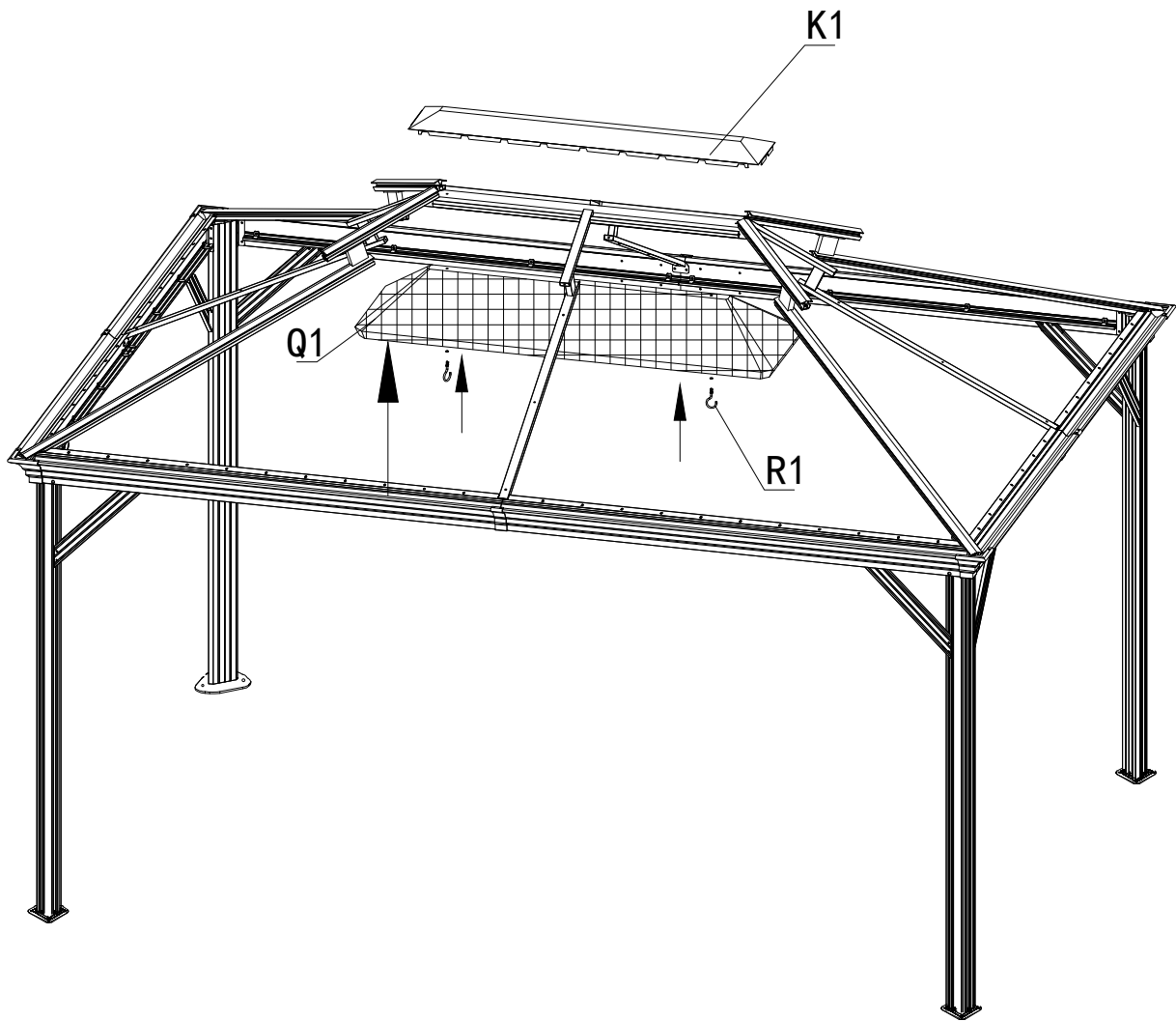
K1 (x1)



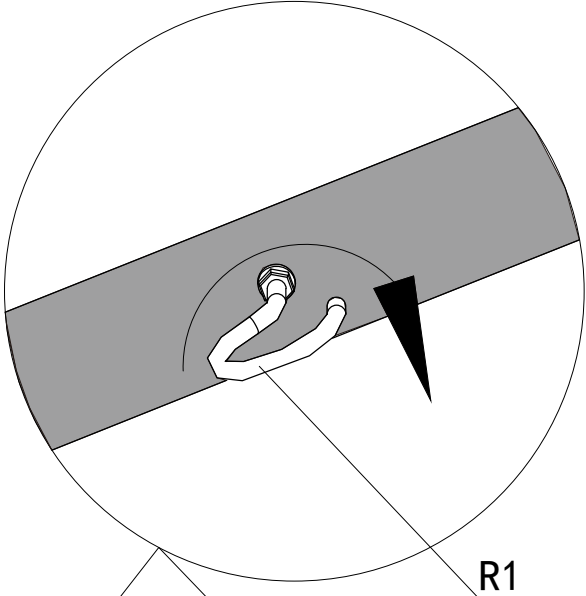
R1 (x2)

Outside Roof Cover And Small Mesh Assembly:

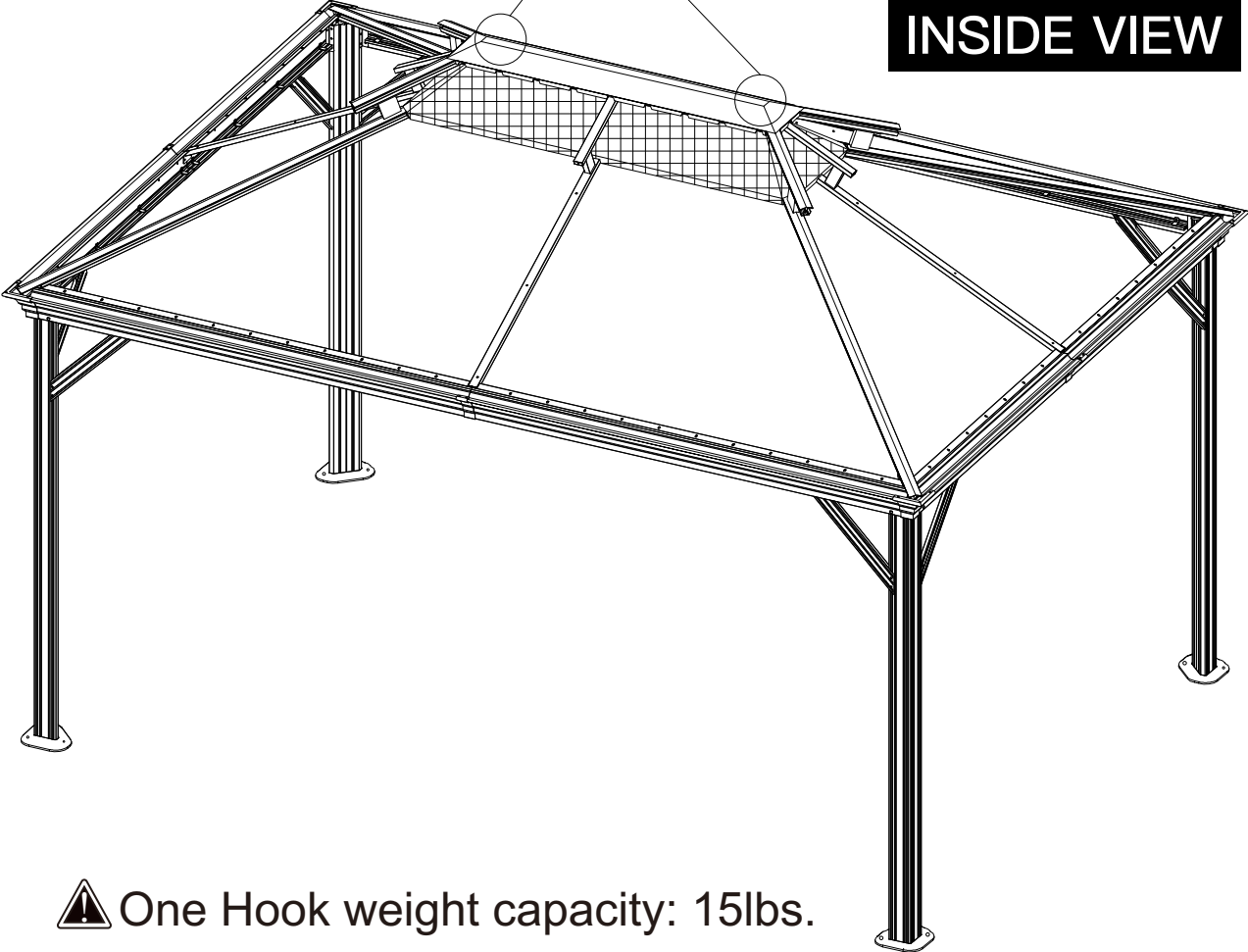
- (1) Place the Outside Roof Cover #K1 on the Inside Roof Connector.
- (2) Align the holes and use 2 Hooks #R1 to secure Small Mesh #Q1 to the Inside Roof Connector (From Bottom to Top).



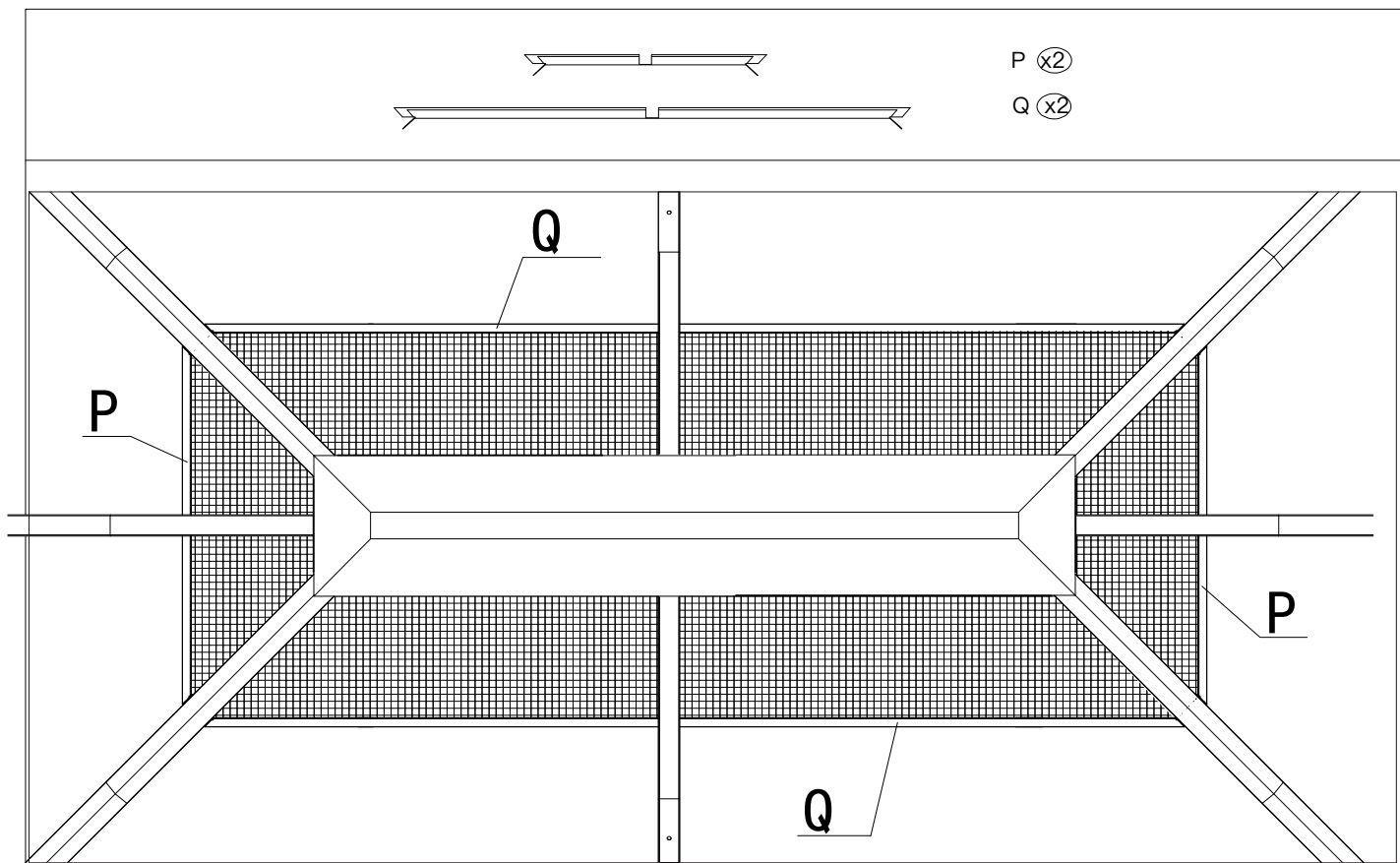
Tighten the Hooks.



INSIDE VIEW

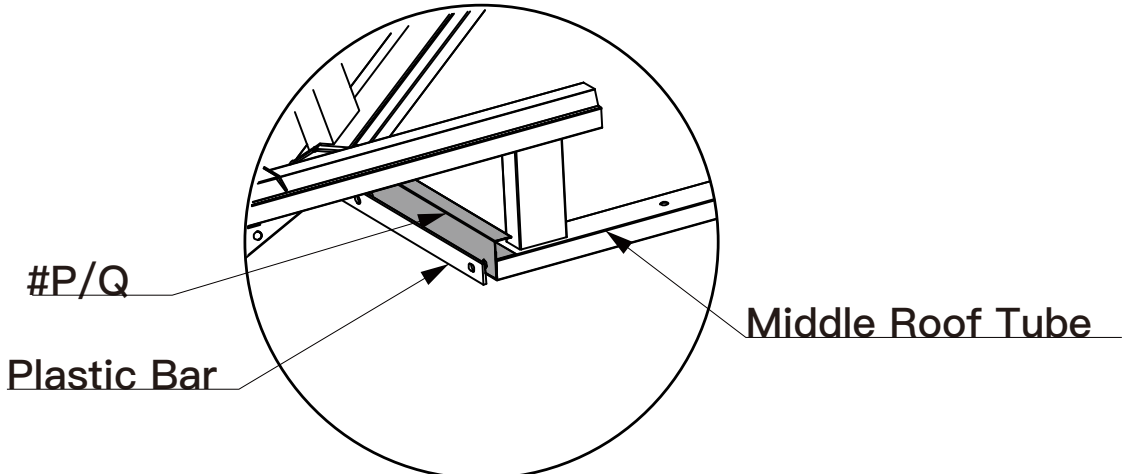


 One Hook weight capacity: 15lbs.



TOP VIEW

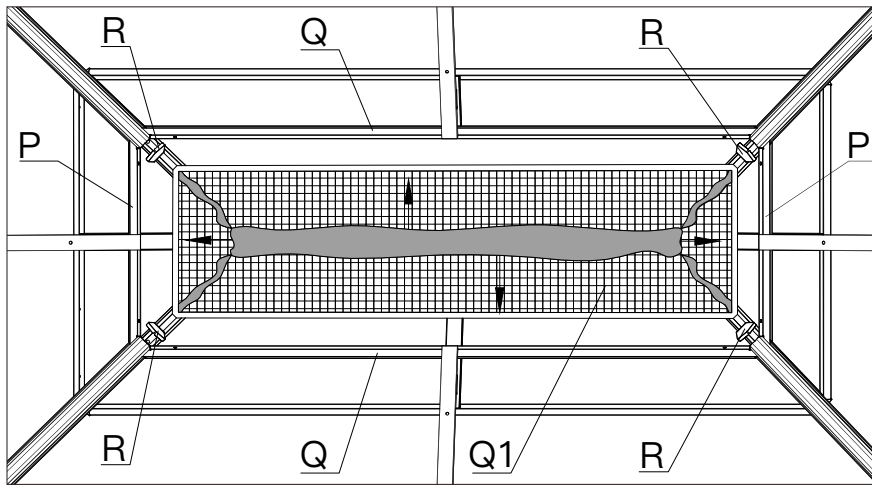
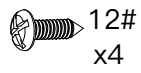
Install the Small Mesh and Finishing Bar to the roof tube.



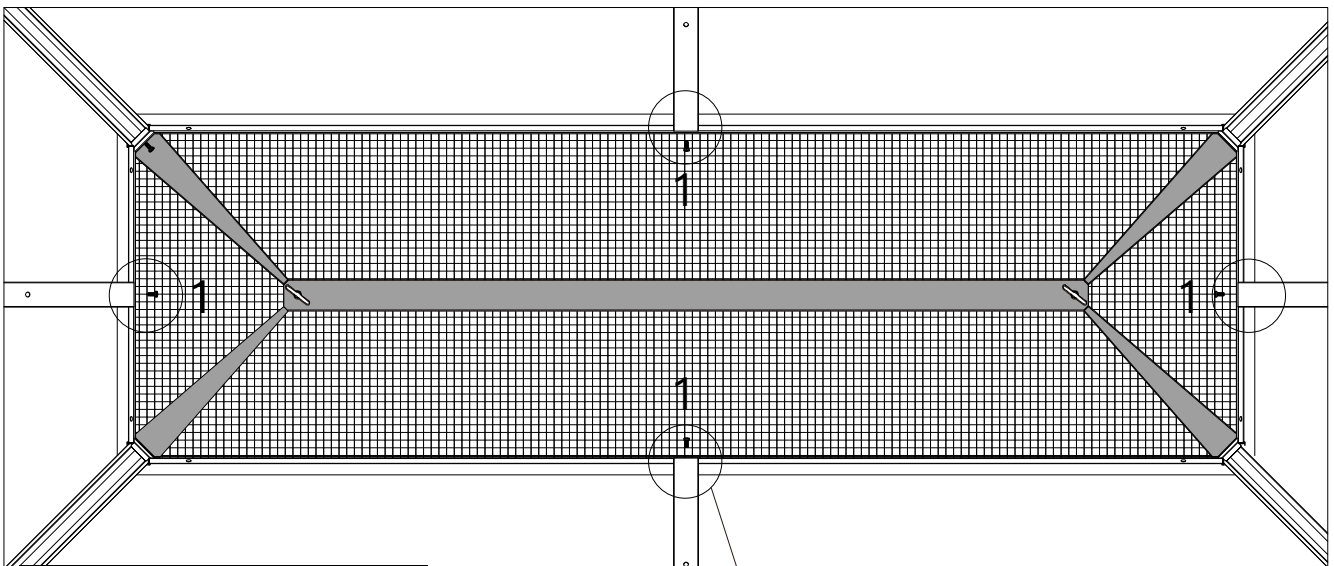
INSIDE VIEW



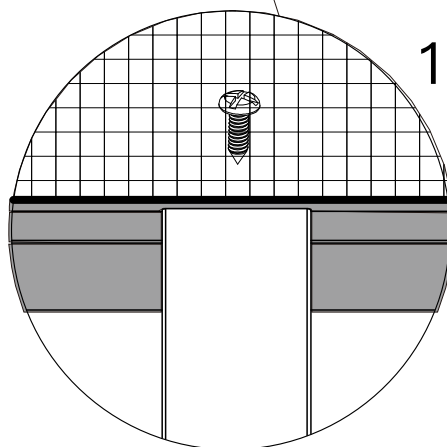
Please do not pull plastic bar out when installing it with #P & Q on the middle roof tube.



Extend the small mesh, then secure the plastic bar (inside the small mesh) and the finishing bar to the roof tube.



BOTTOM VIEW



12#

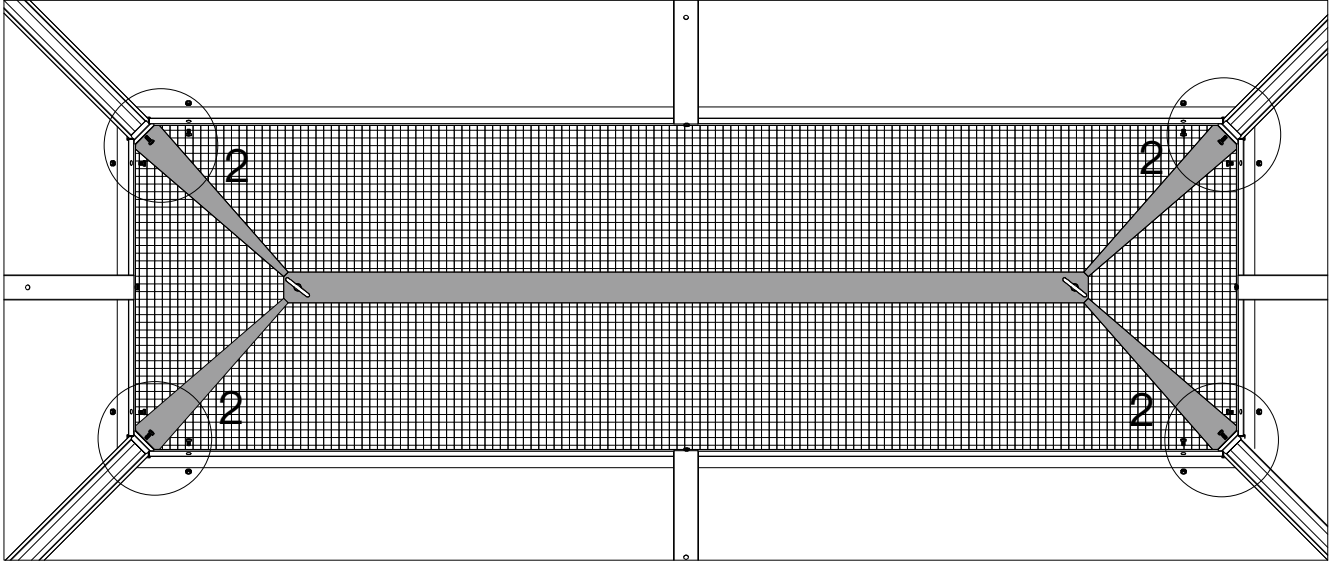
Plastic bar
in the mesh

P/Q

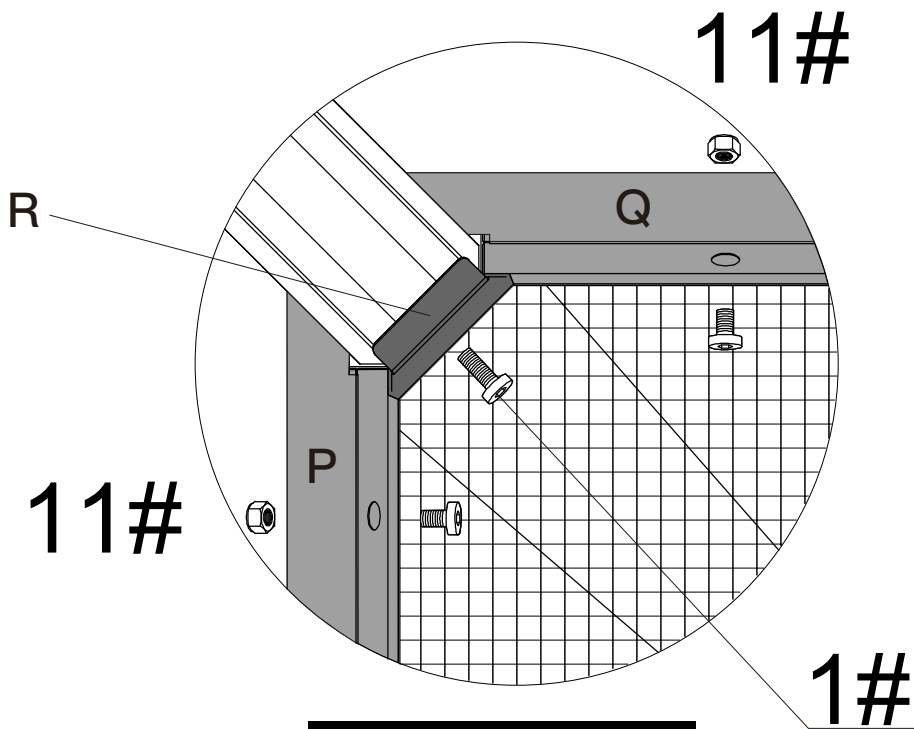
1#
x4



11#
x8



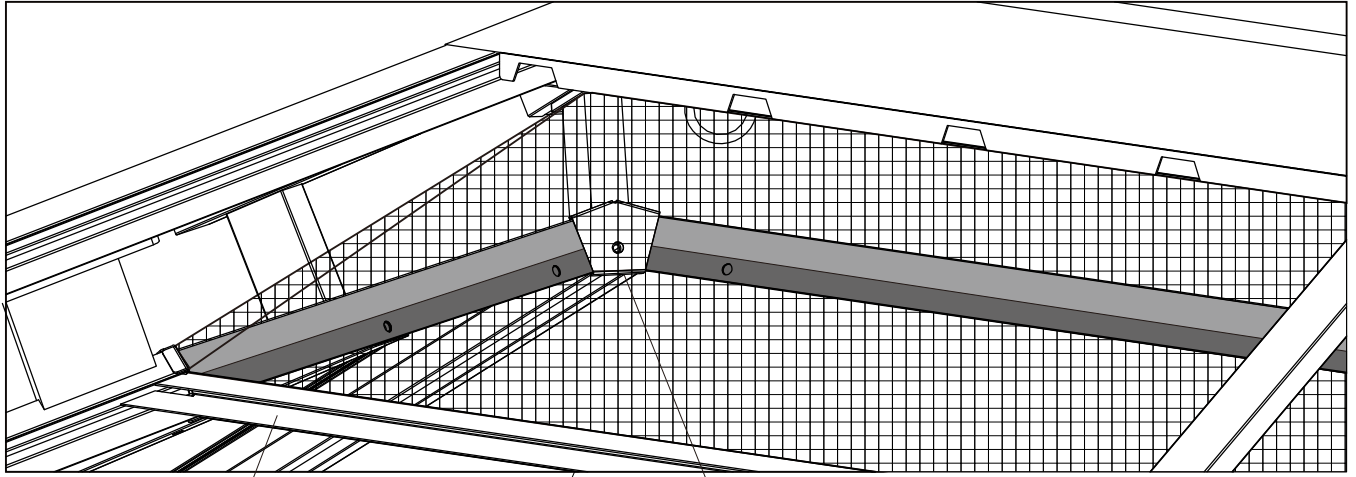
BOTTOM VIEW



INSIDE VIEW

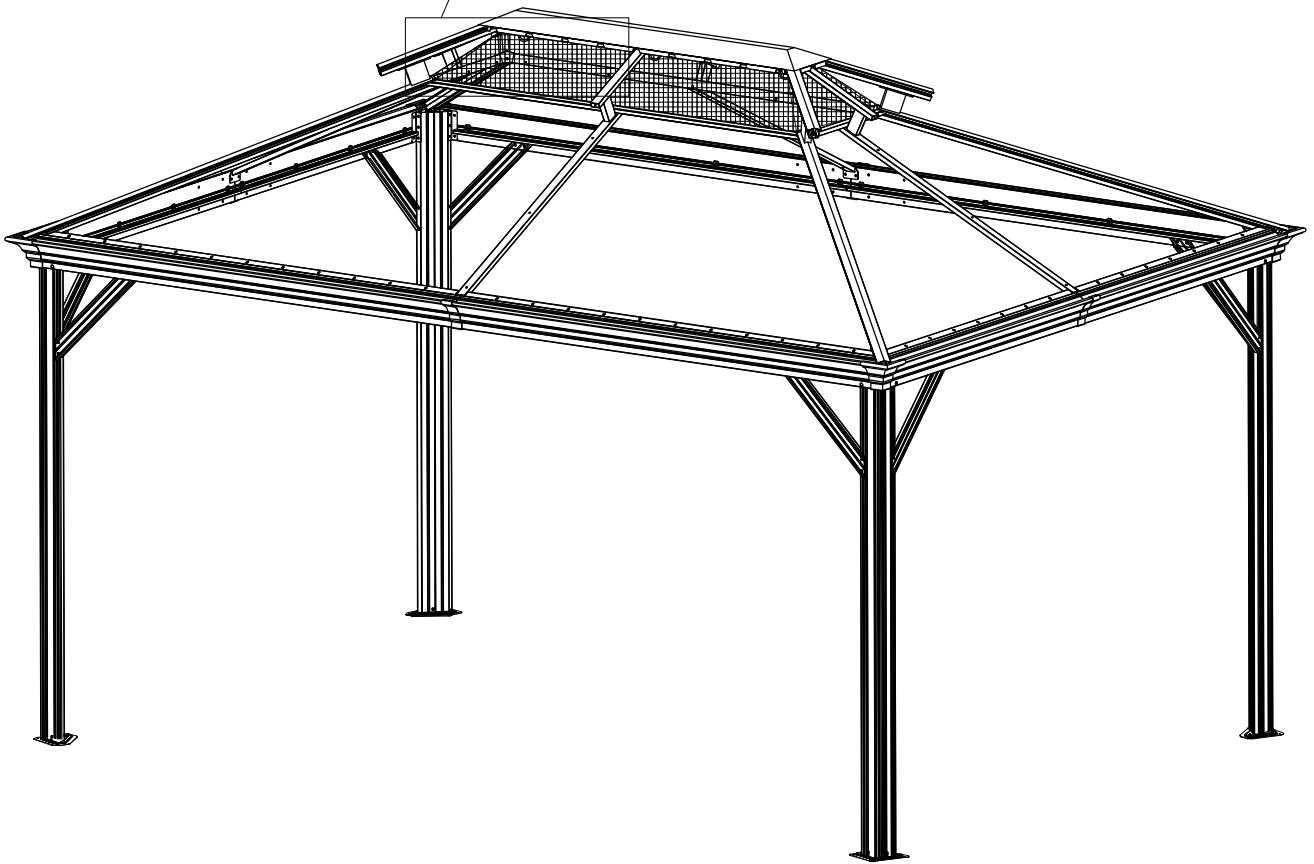
■ Plastic Bar in the mesh

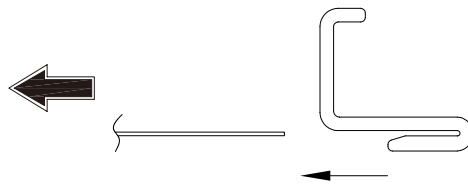
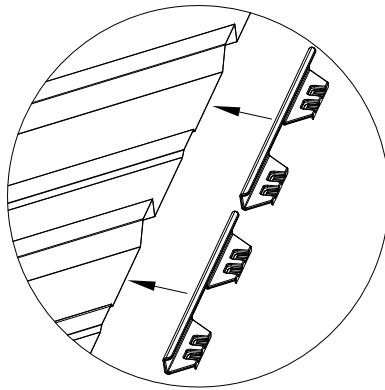
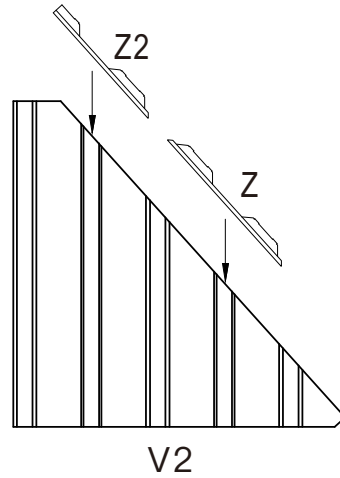
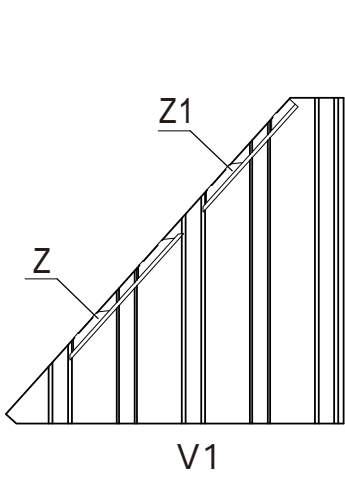
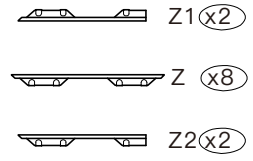
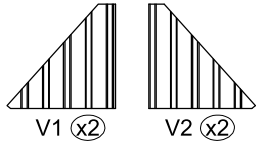
■ #Q2/Q3



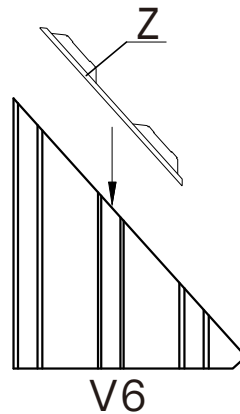
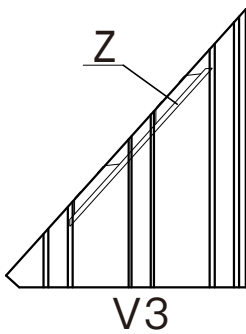
P/Q

R

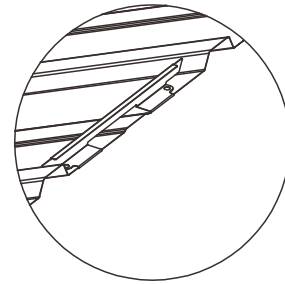
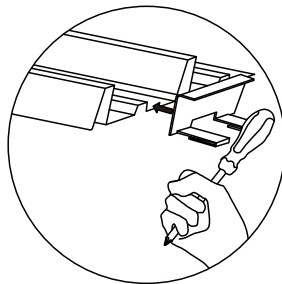
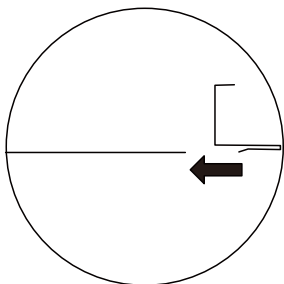




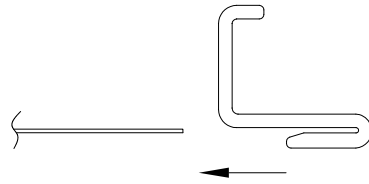
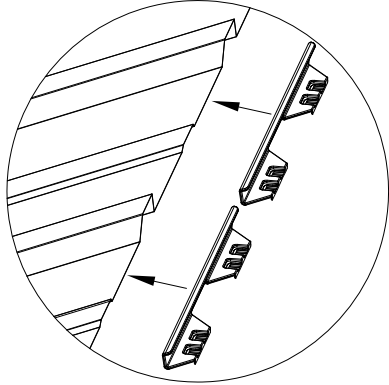
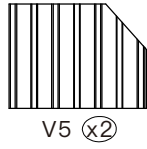
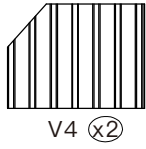
Section View



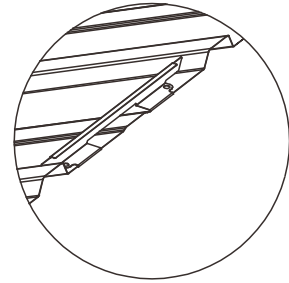
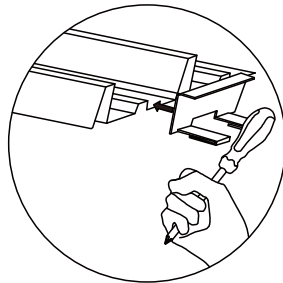
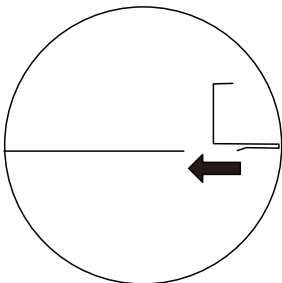
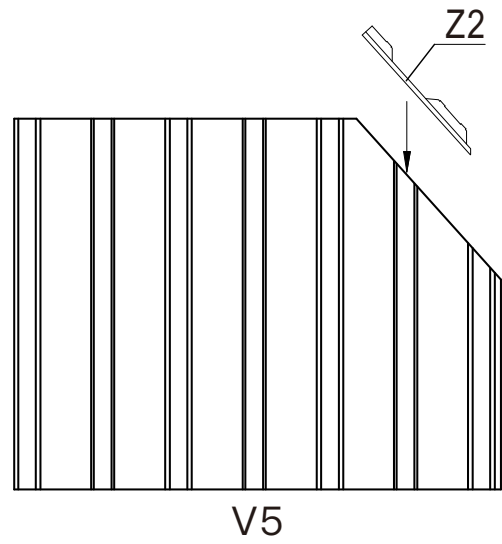
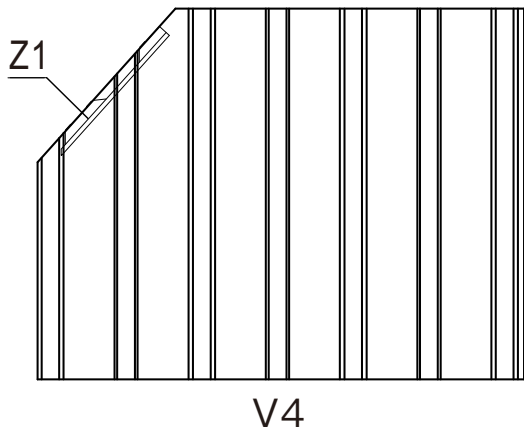
Please install Plastic Clips in strict accordance with the instructions.



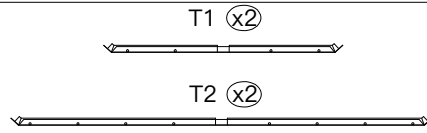
Attach Part #Z, #Z1 & #Z2 by lightly tapping with screwdriver.



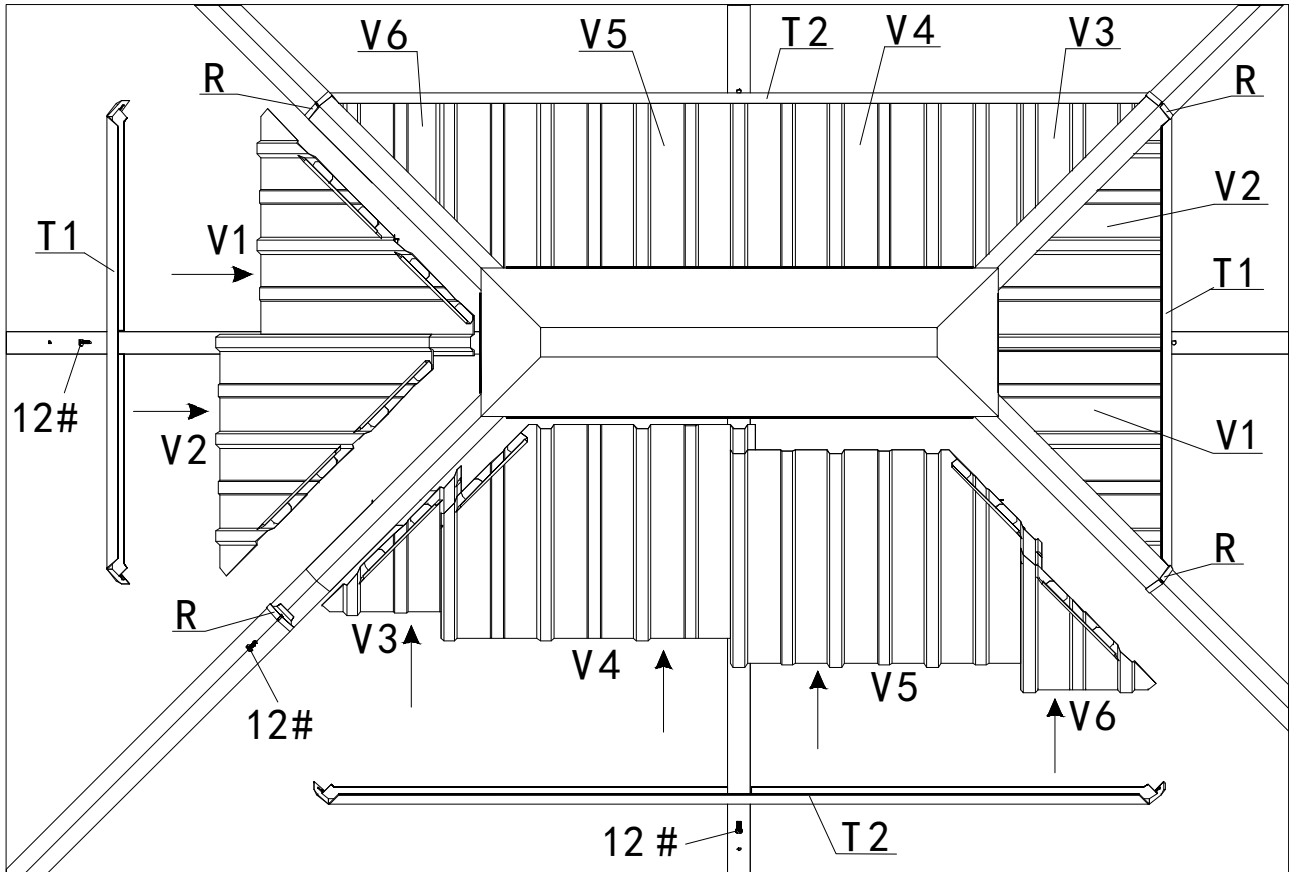
Section View



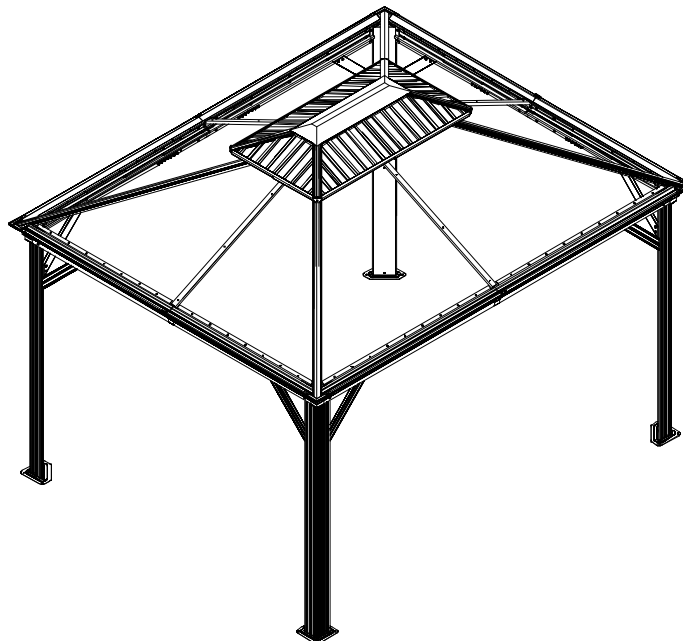
Attach Part #Z1 & #Z2 by lightly tapping with screwdriver.

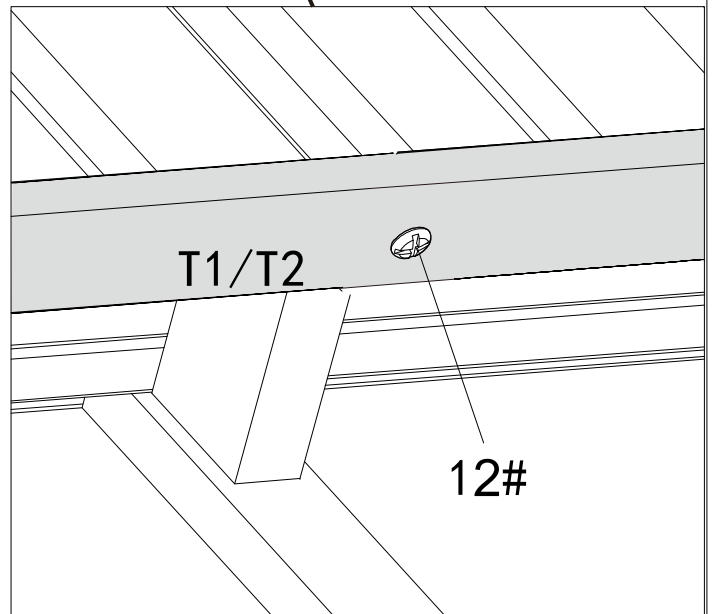
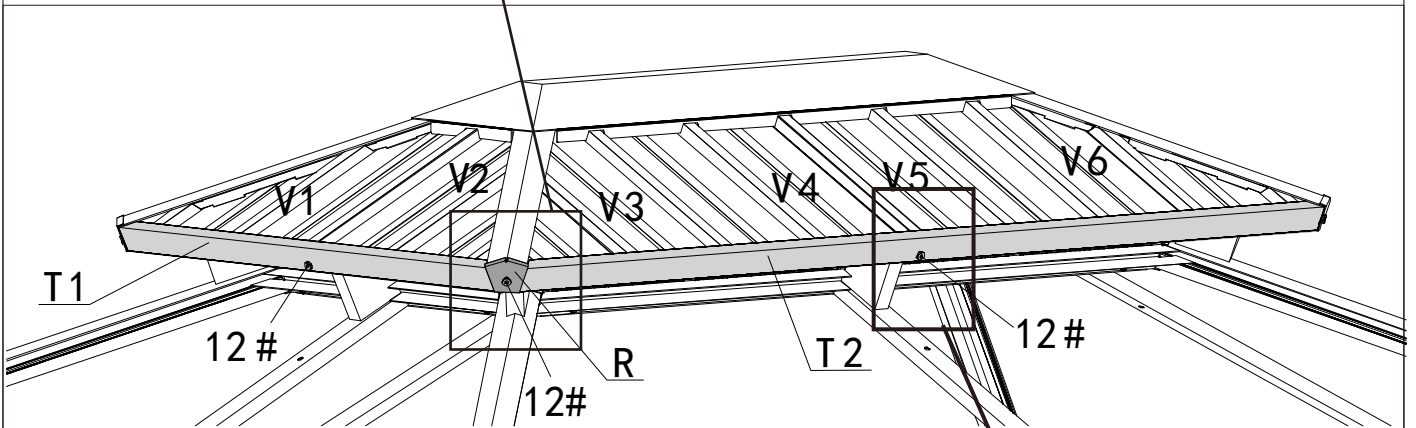
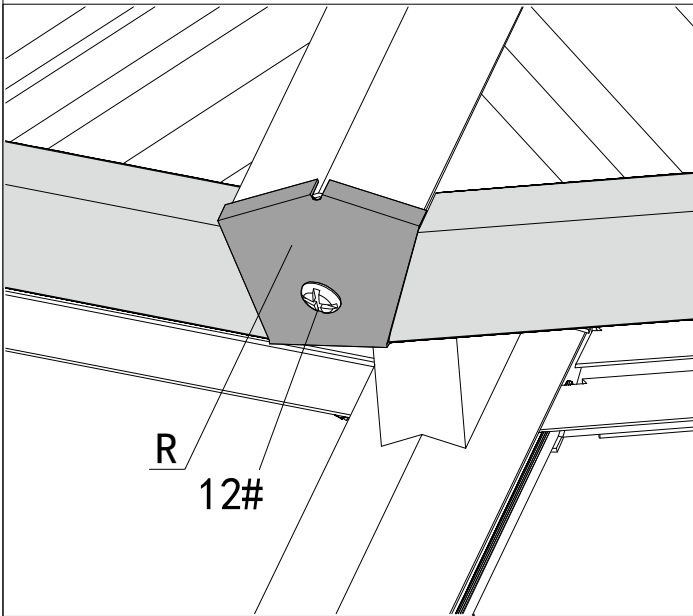
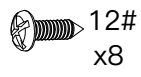


SMALL ROOF PANEL AND FINISHING BAR ASSEMBLY:



If you can't install #V4 and #V5, please lift the Outside Roof Cover up and try to insert them again.





U1 (x4)

U2 (x4)



U3 (x4)

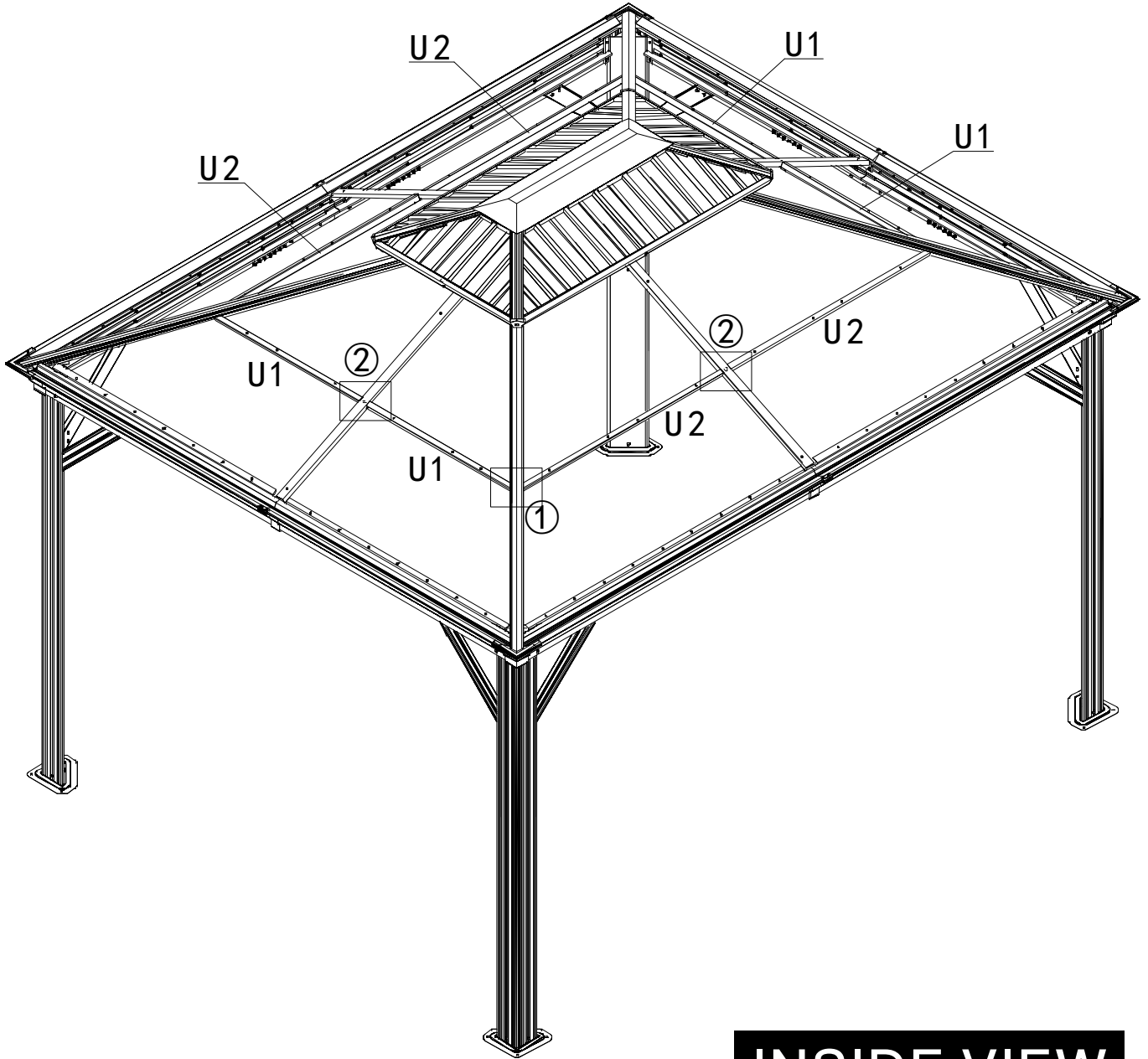


U4 (x4)

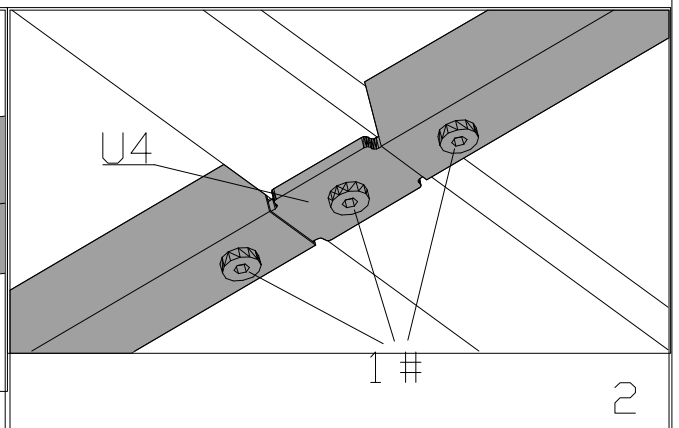
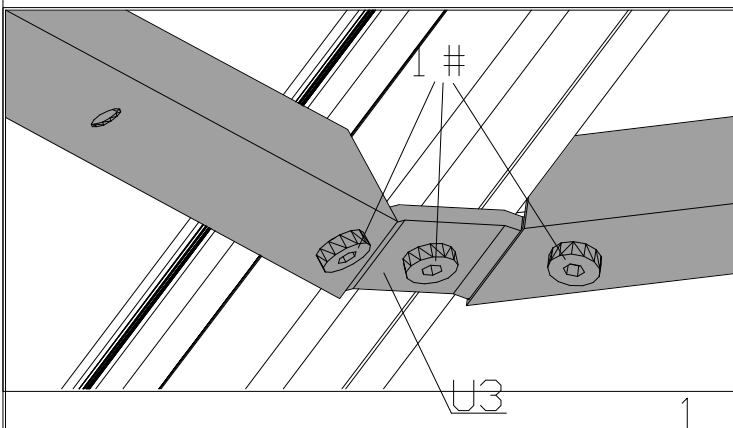


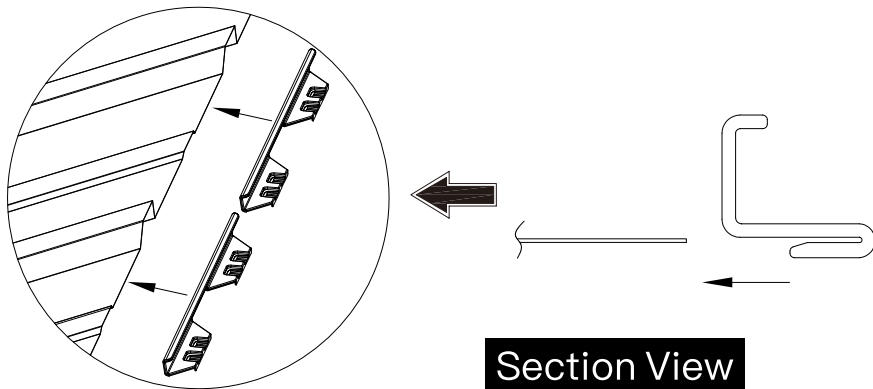
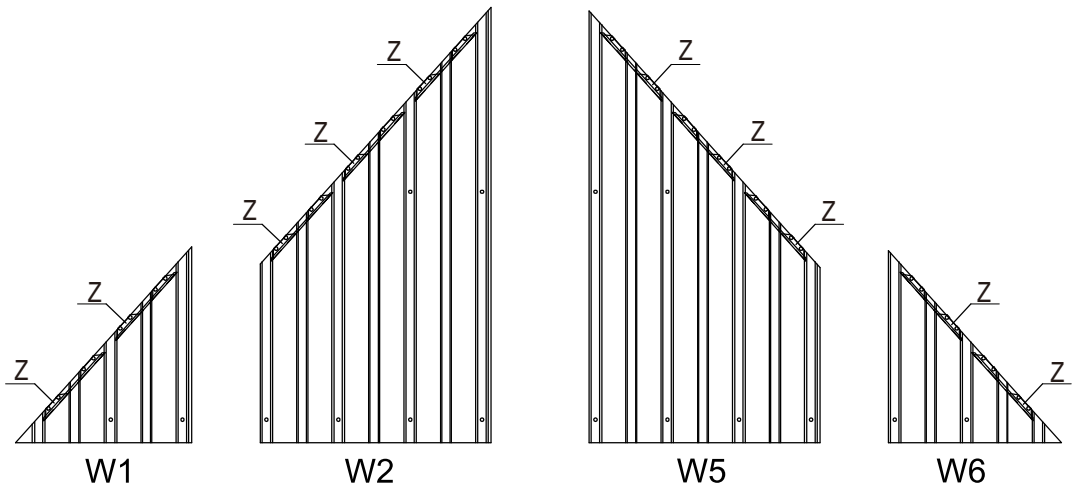
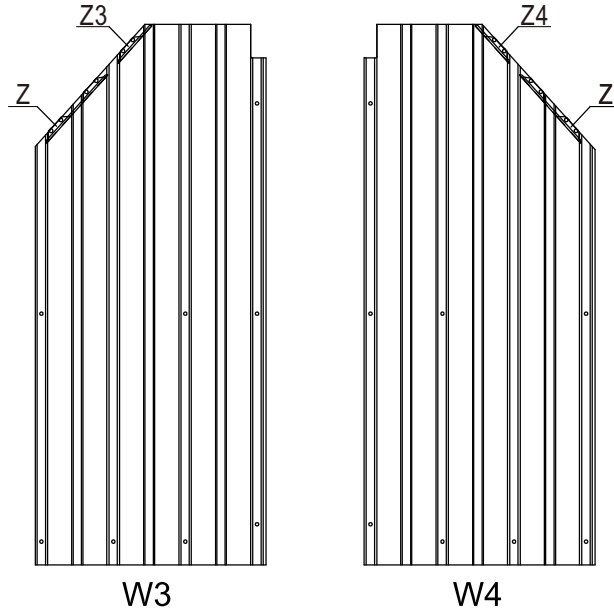
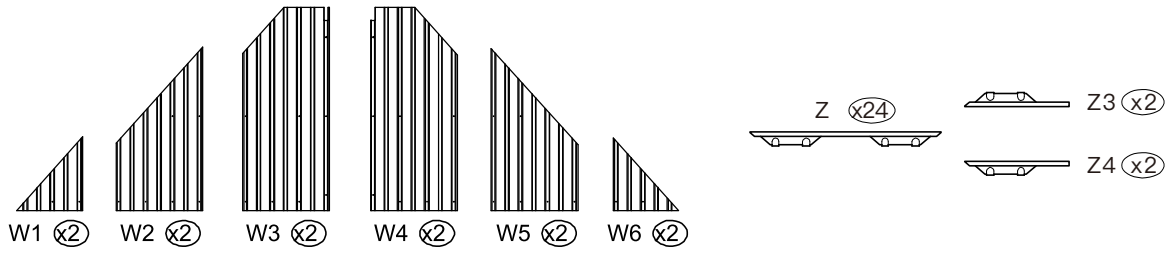
1#
x24

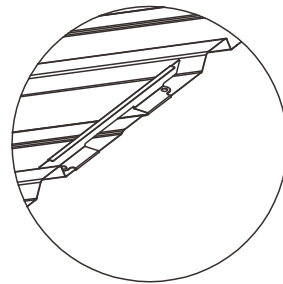
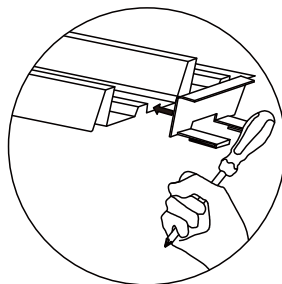
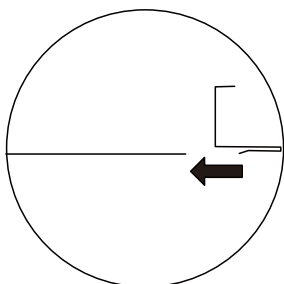
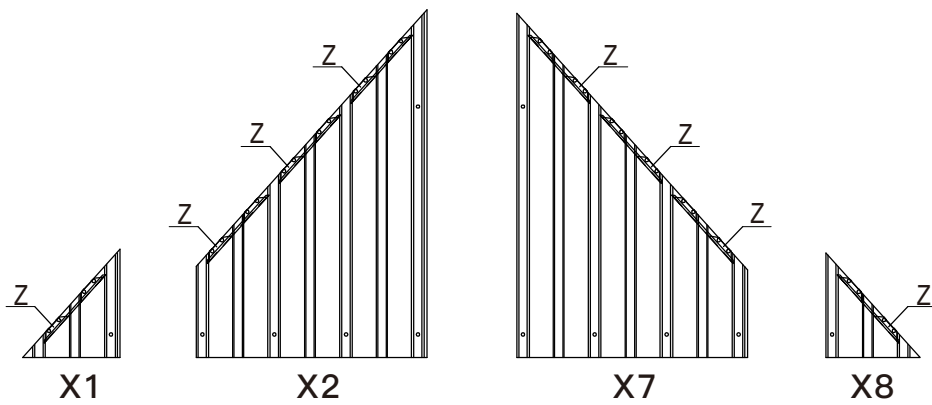
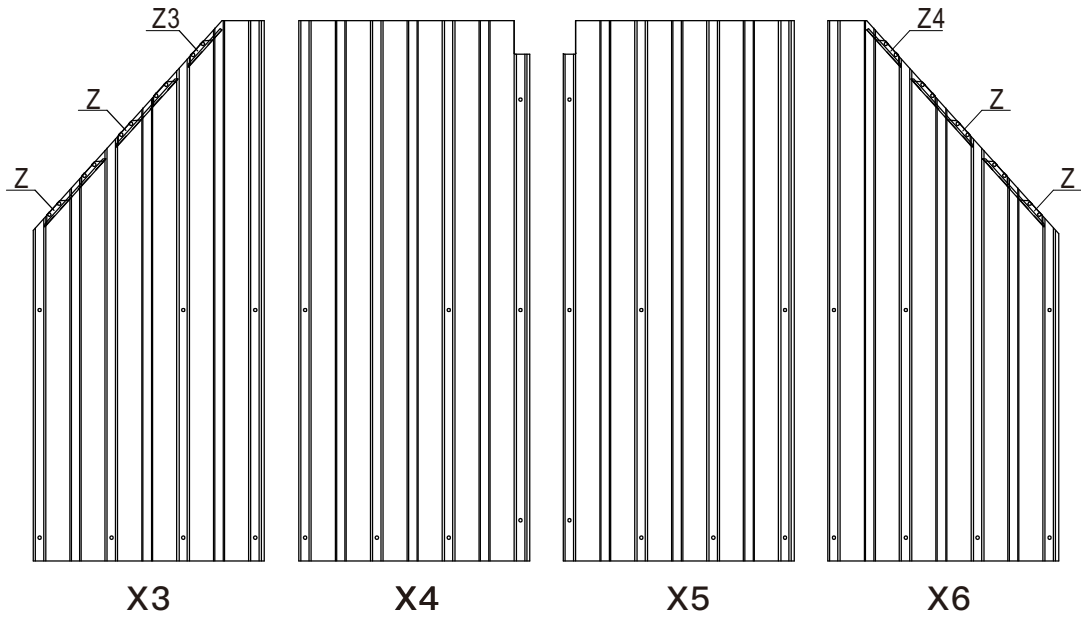
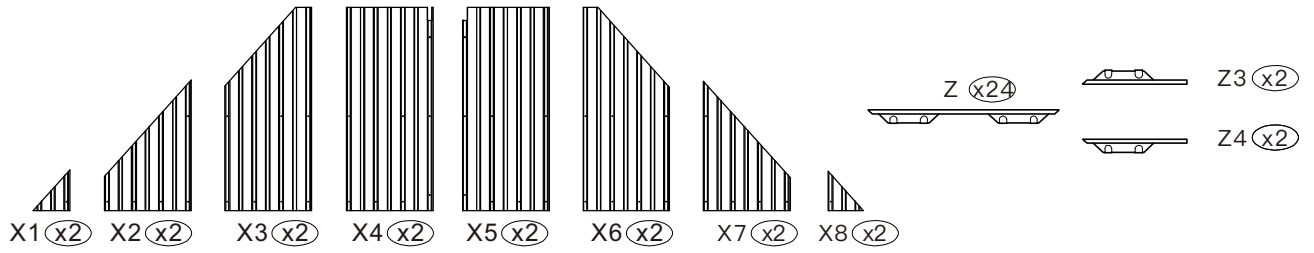
SOLIDIFYING BAR ASSEMBLY:



INSIDE VIEW

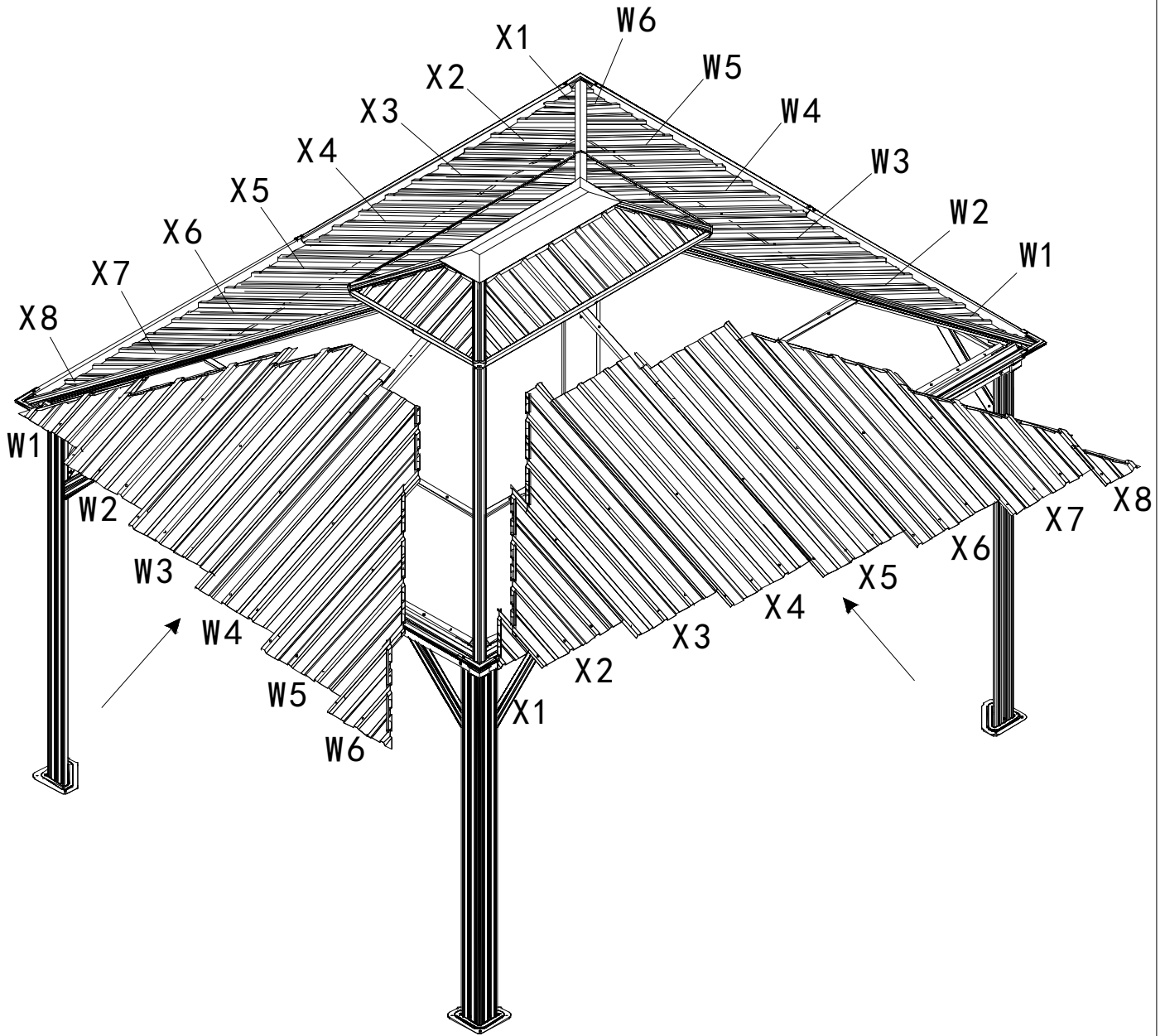




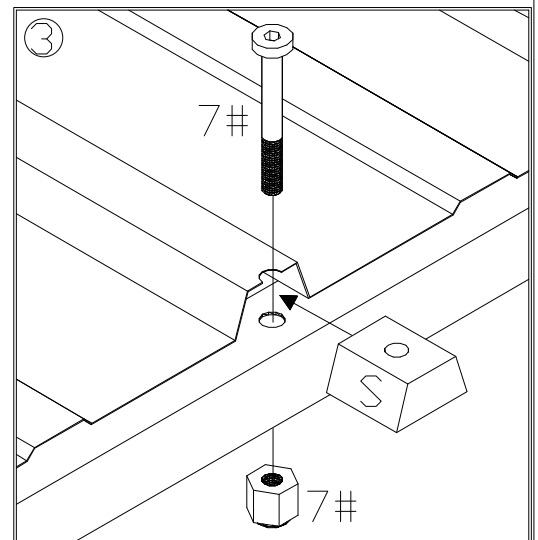
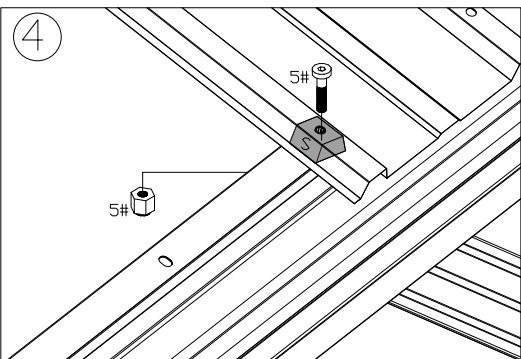
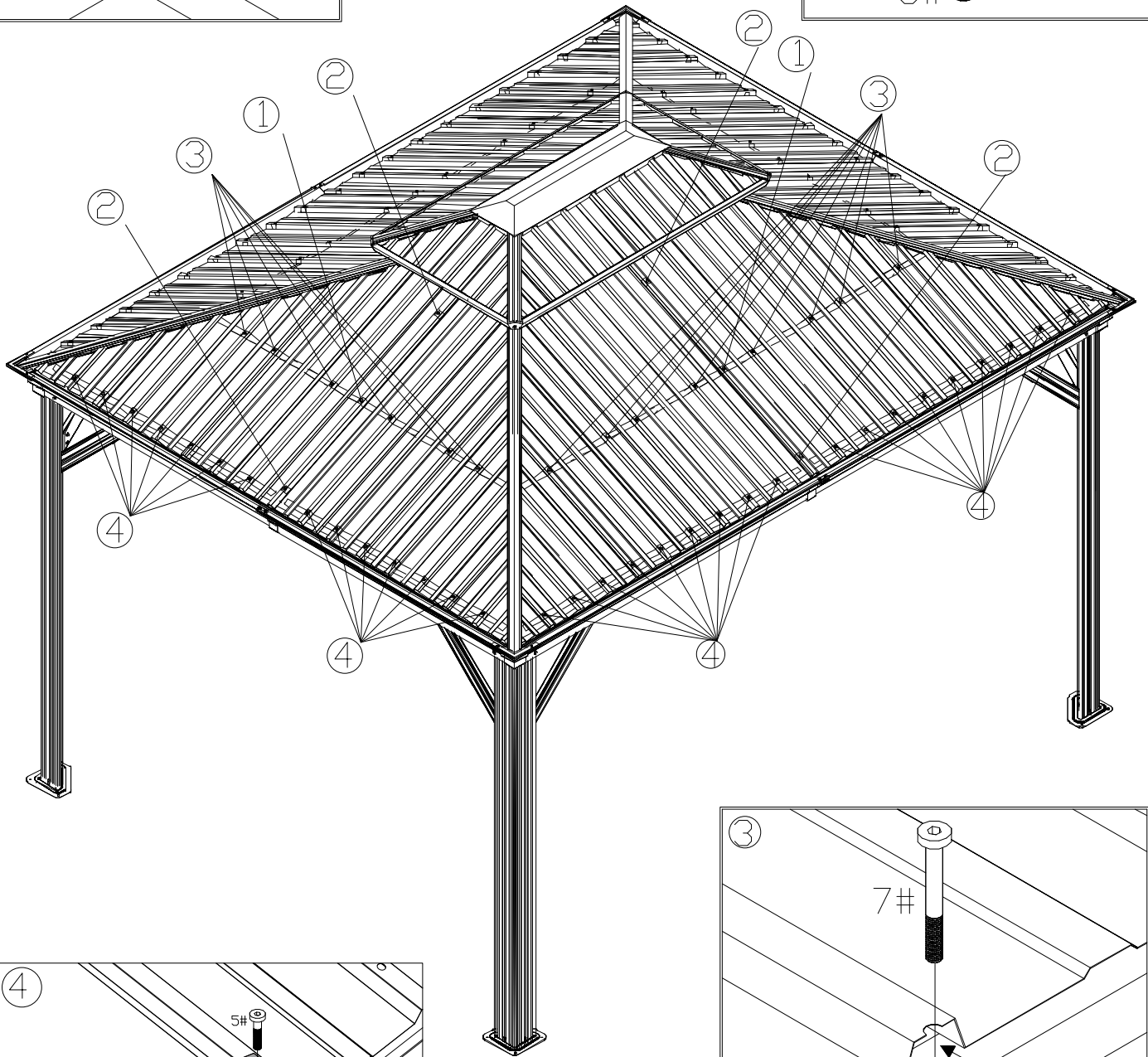
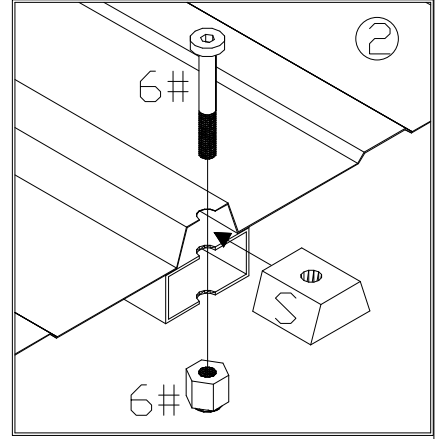
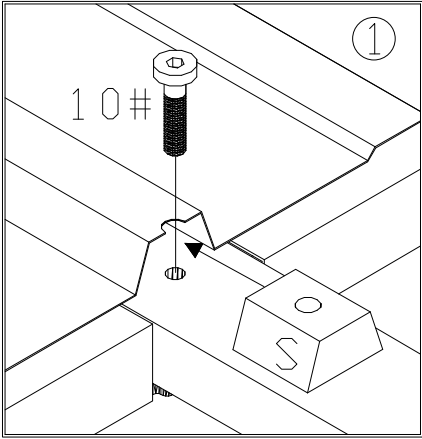
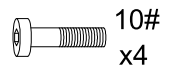
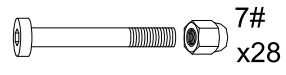
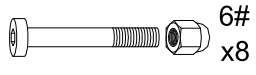
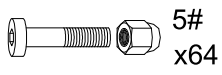
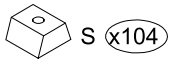


Attach Part #Z, #Z3 & #Z4 by lightly tapping with screwdriver.

Install the Middle Panels (#X4 ,X5 or #W3,W4) first, then the small panels on the edge.

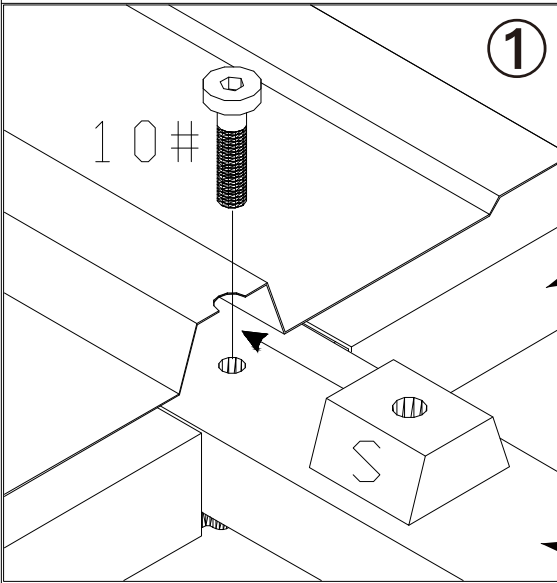


The Black Rubber #S should be assembled when installing the roof panels; please see the next page.



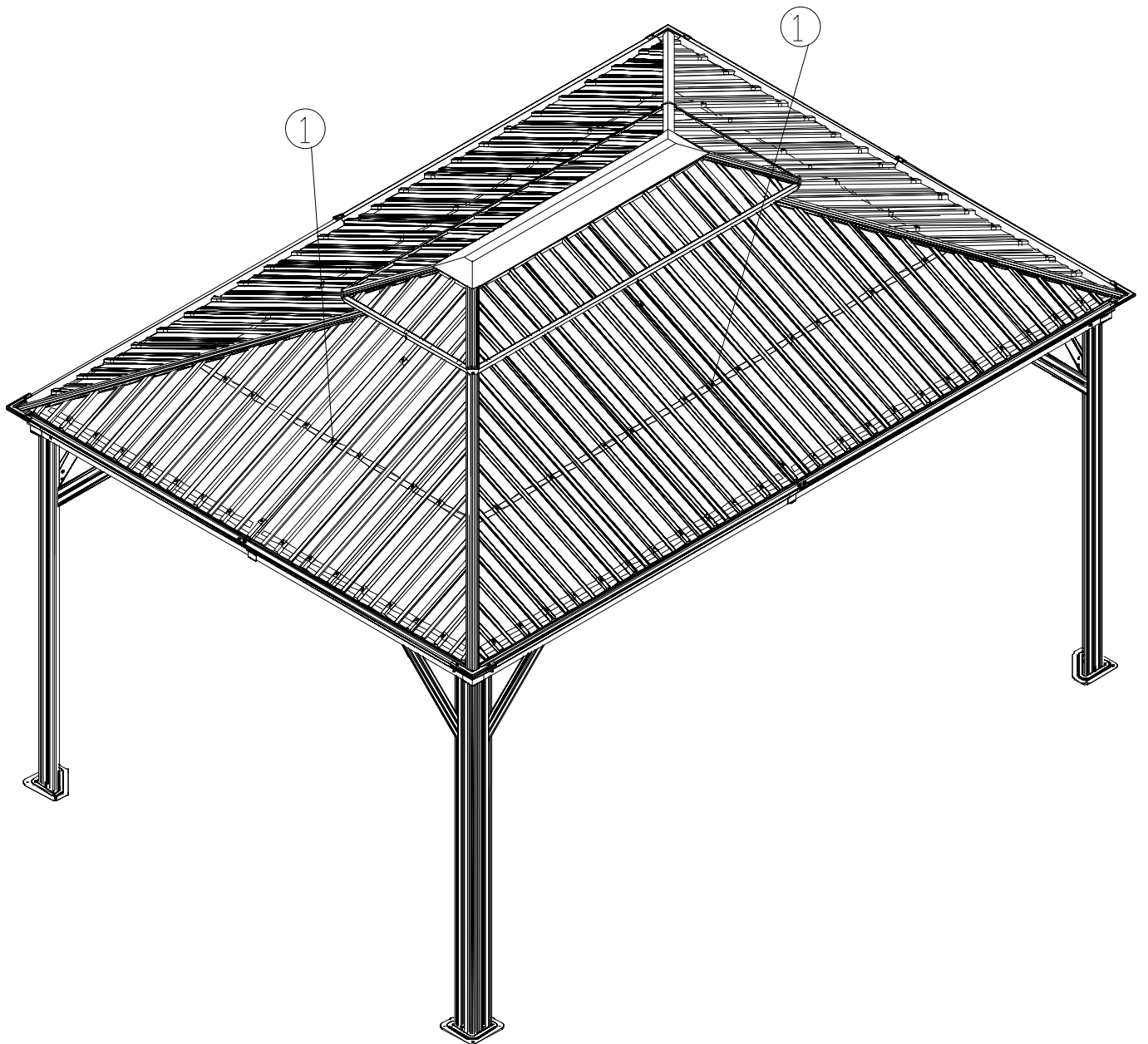
S x4

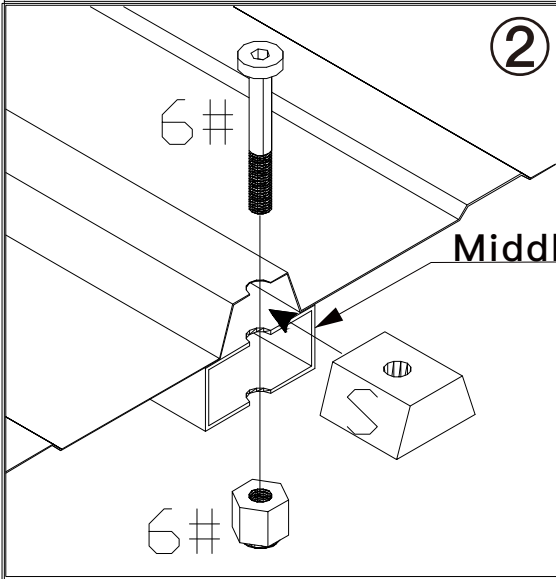
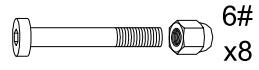
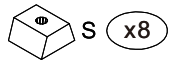
10#
x4

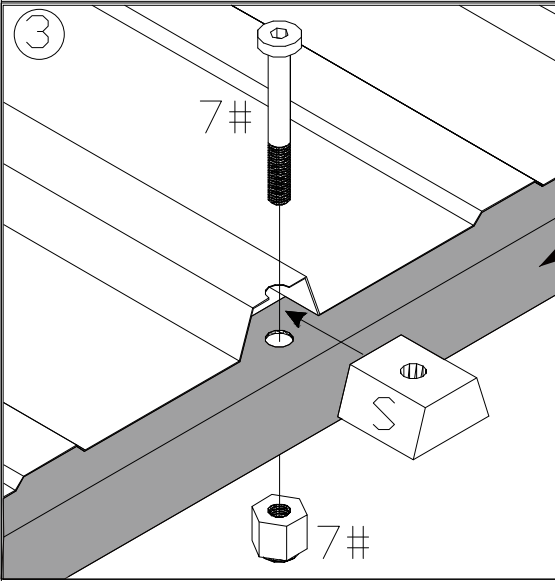
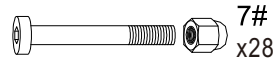
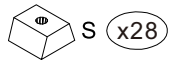


Solidifying Bar

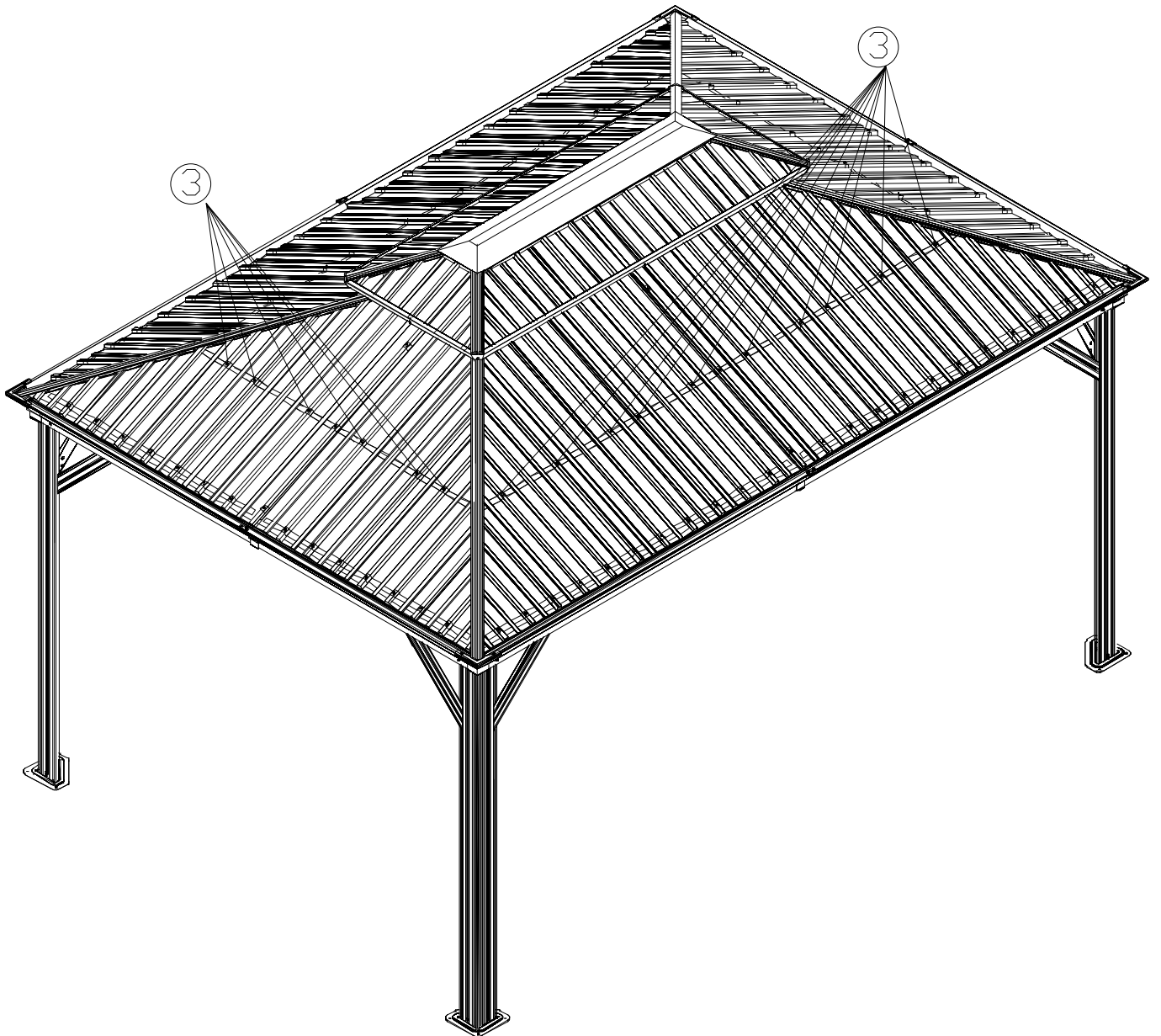
Middle Roof Tube

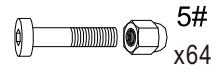
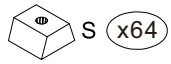




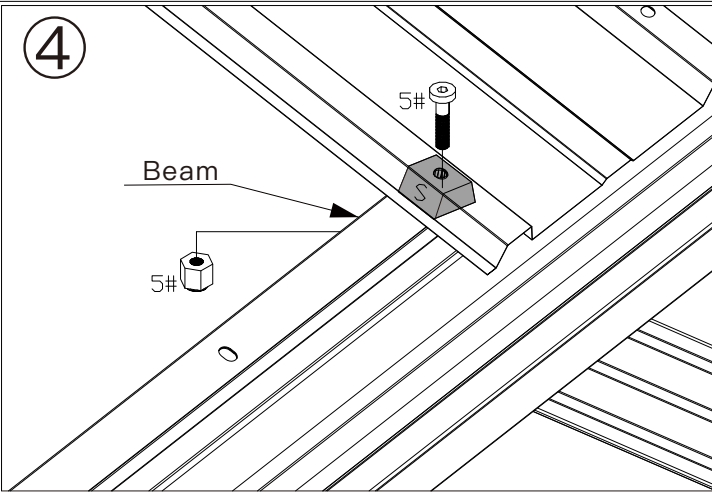


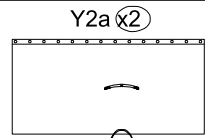
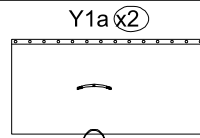
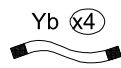
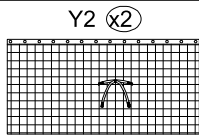
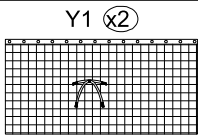
Solidifying Bar



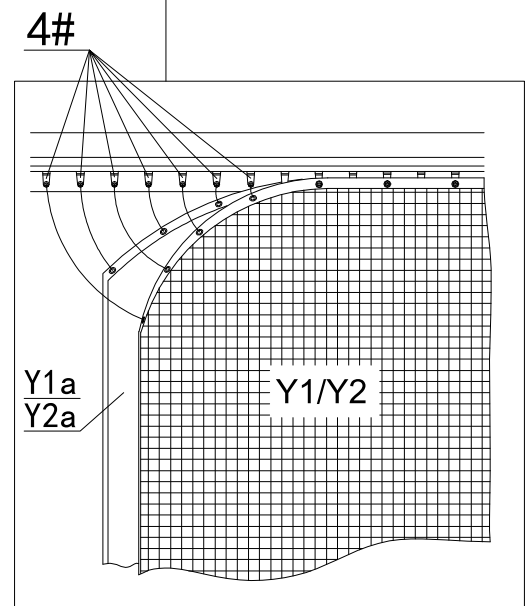
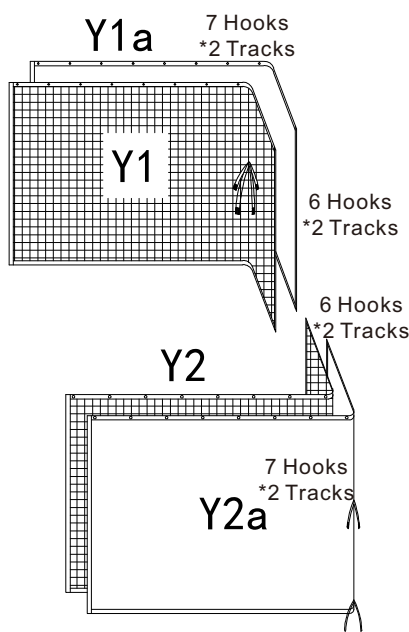
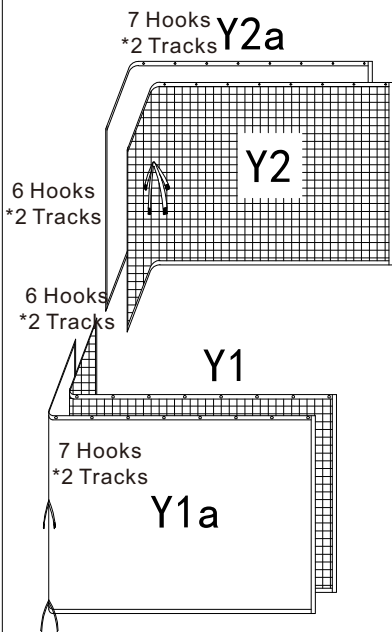
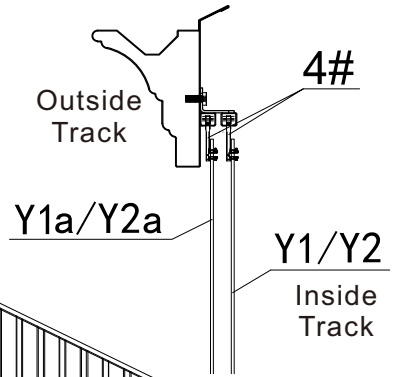
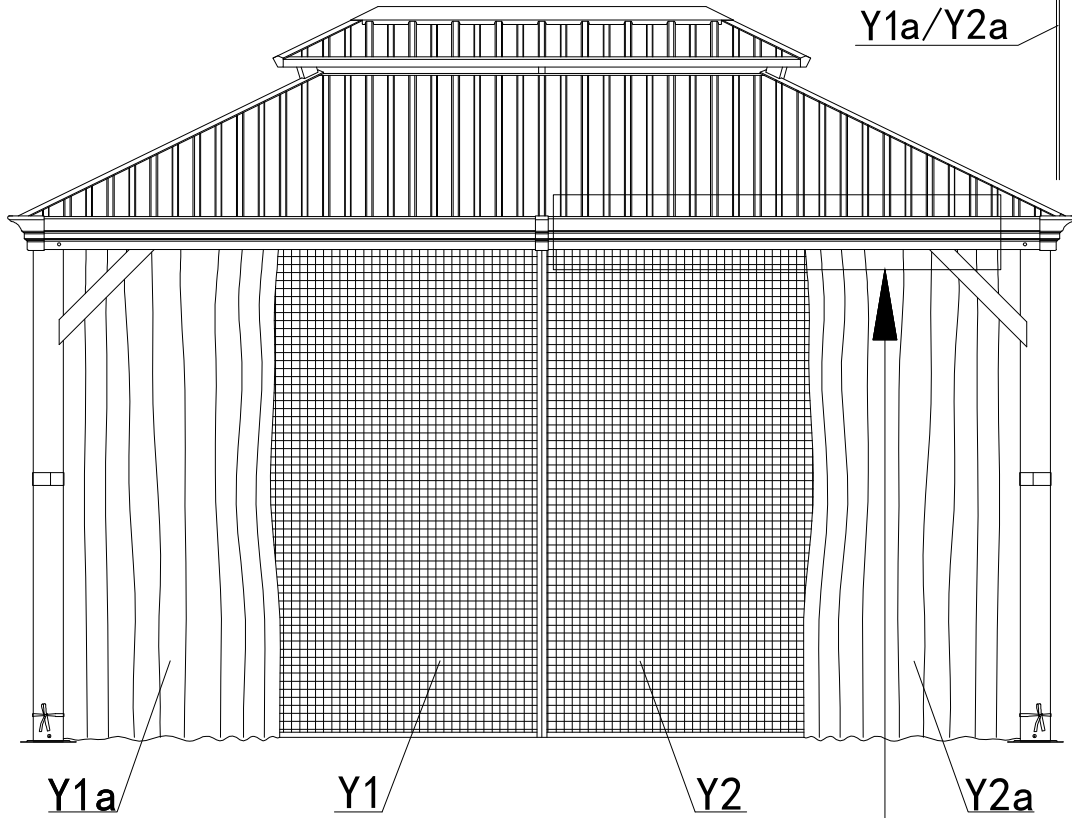


4

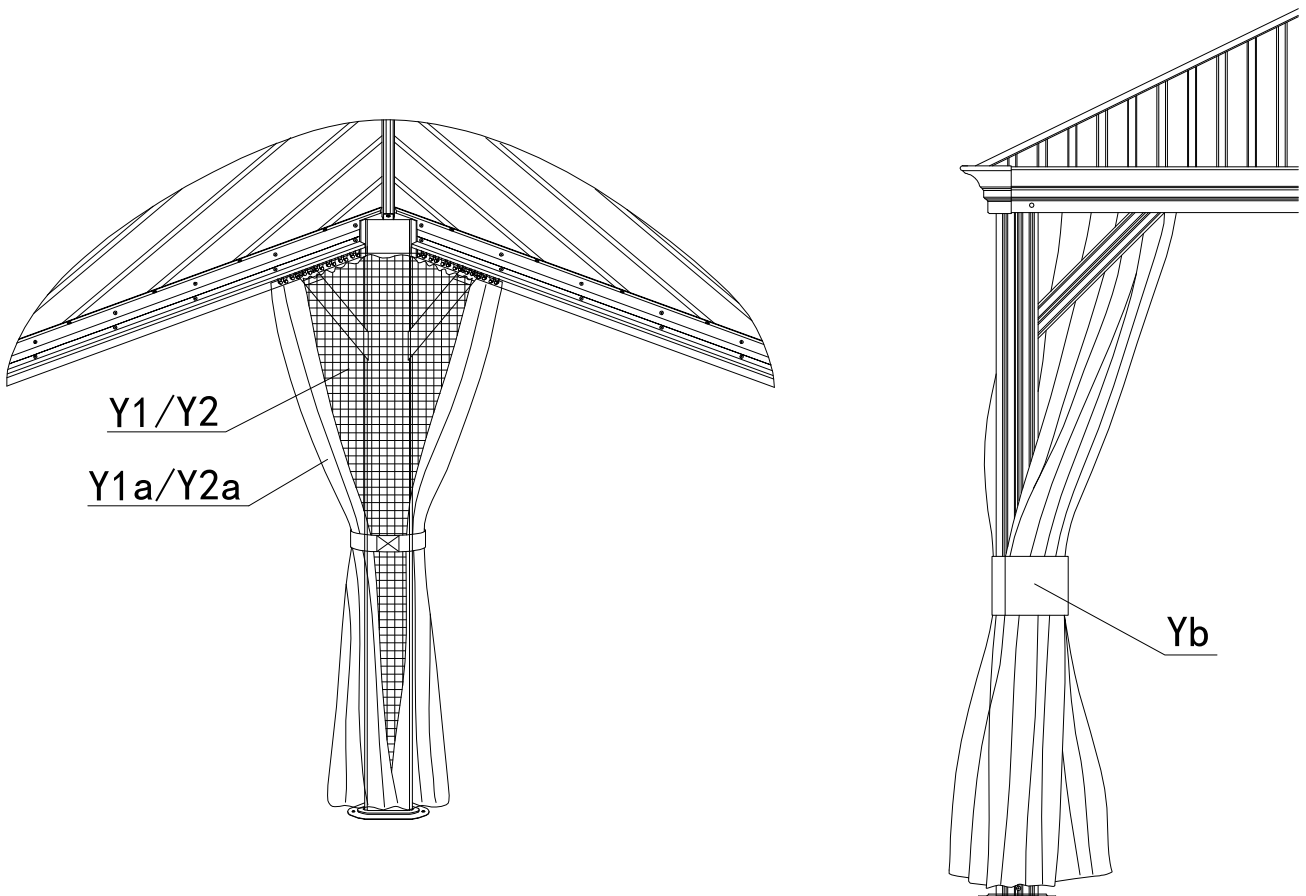
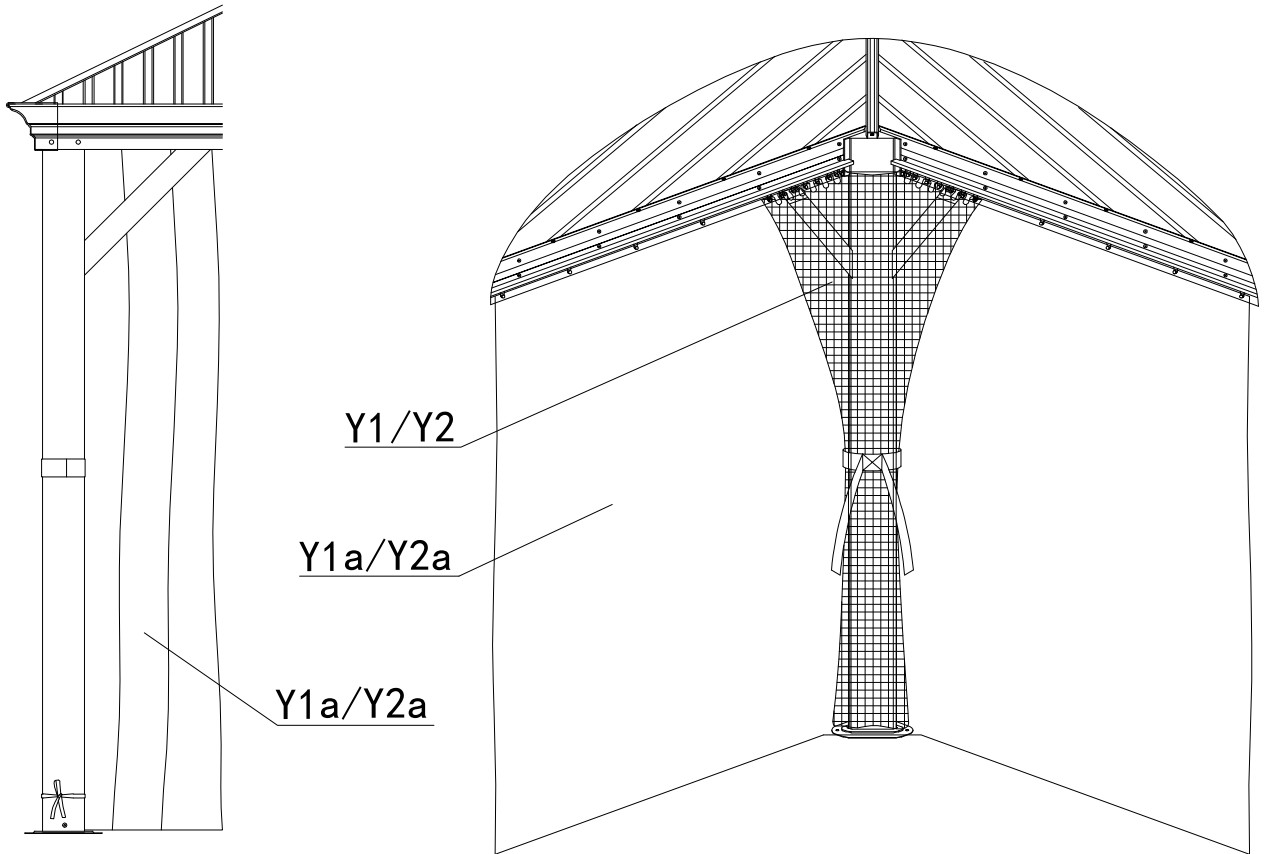




MOSQUITO NETTING AND SOLID SIDEWALL ASSEMBLY:



Please close your gazebo curtain when it is incoming over 30 mph wind, and tie with Strap #Yb.





Thanks for your purchase.

At domi outdoor living, we believe in our products.

That's why we provide a 12-month warranty and friendly, easy-to-reach after-sales service. So, if you have any questions about our product or assembly, please feel free to contact us. We are here for you.

Support:  

After-sales contact email:

service@domioutdoorliving.com

Business cooperation contact email:

marketing@domioutdoorliving.com

Please have your order ID available if you reach out for support.

If you have damaged parts or product, please send us photos for an immediate response.