

INSTALLATION

Product Manual

Version: 390177US-01-26A-ZFC



IMPORTANT INFORMATION!

please read the entire manual before starting to assemble and/or using this product. follow the manual thoroughly and keep it for further reference.



AVOID SCRATCHES!

In order to avoid scratching this furniture should be assembled on a soft layer- could be a rug.



IMPROVE EFFICIENCY !

Try to find a partner to install with you, which can speed up the installation efficiency and shorten the time.



ANTI-TOPPLE WARNING !

Overturned furniture can cause serious or fatal crush injuries. To prevent tipping over, be sure to use the wall attachment, if not included with this product. Please purchase the wall attachment that fit your wall. If unsure, seek professional advice. Please read and follow each step of the instructions carefully.

IMPORTANT !

It is important that any product which is assembled using any kind of screw is re-tightened 2 weeks after assembly, and once every 3 months - in order to assure stability through-out the lifespan of the product.

For regular maintenance and cleaning of the product, for the frame, please use a rag dipped in neutral detergent to fully wipe it, and then dry it with a clean rag. For glass materials, wipe with a rag dampened with water glass cleaner, and then dry with a dry rag.

Do not use an electric screwdriver, and do not use too much force when installing, because the board is easy to break.



Please prepare the following tools



When installing, please carefully confirm whether each screw corresponds to the manual, accessories with similar shapes can be distinguished by size

A x 10



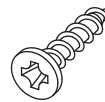
∅8 x 40 mm

B x 8



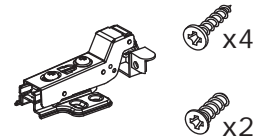
∅4 x 30 mm

C x 24

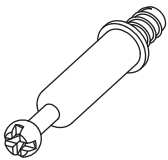


∅3 x 12 mm

D x 16



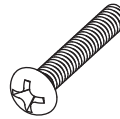
E x 101



F x 101

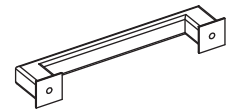


G x 4

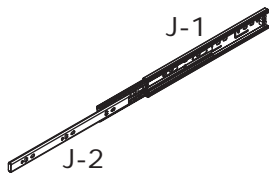


∅4 x 20 mm

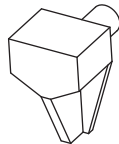
H x 2



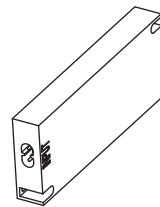
J x 4



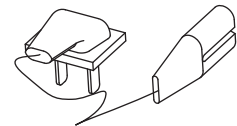
K x 20

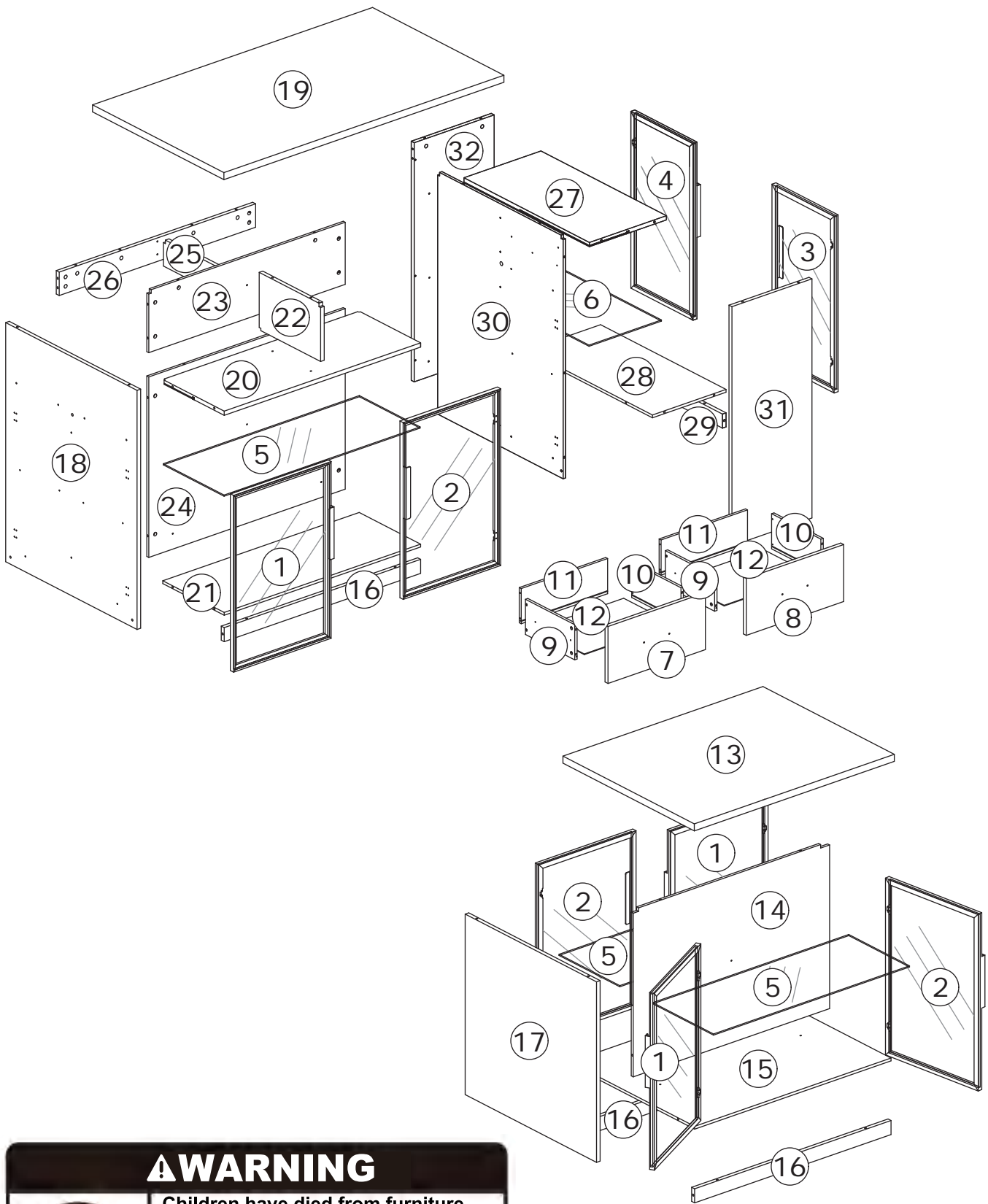


L x 1



M x 1





⚠ WARNING

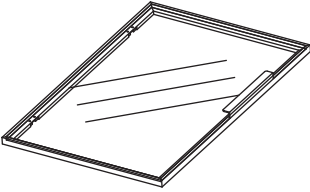
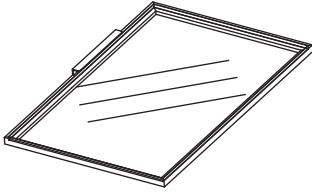
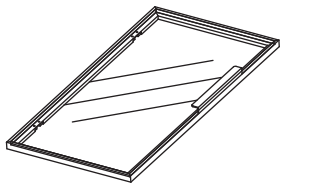
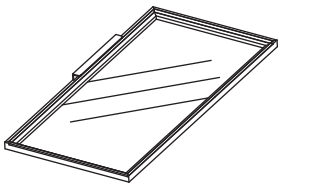
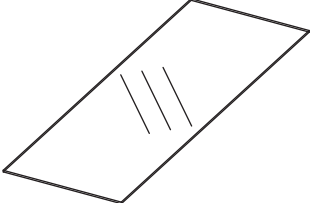
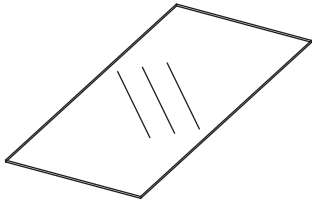
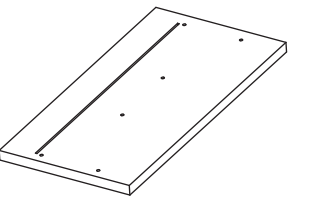
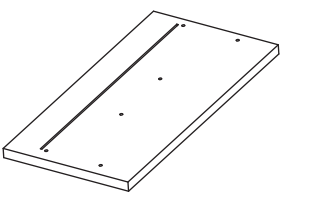
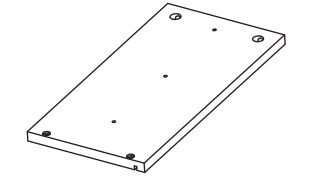
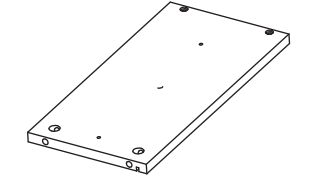
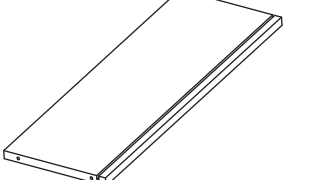
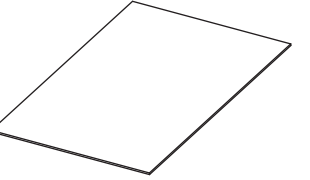
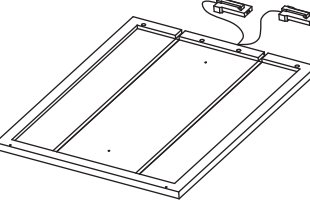
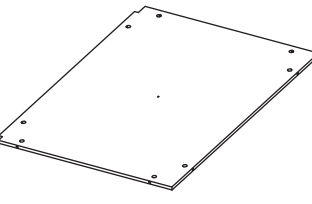
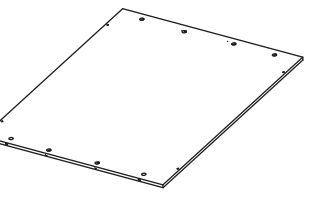
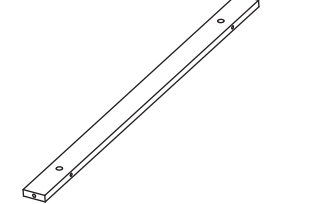
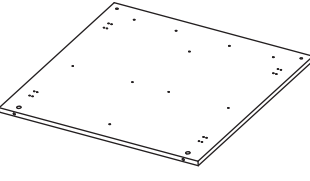
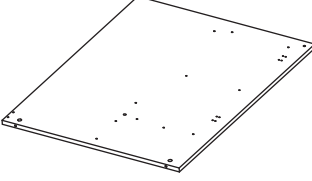
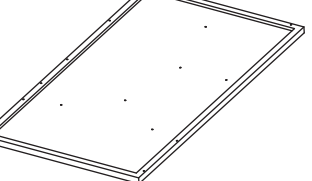
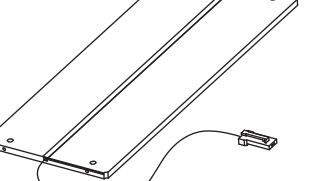


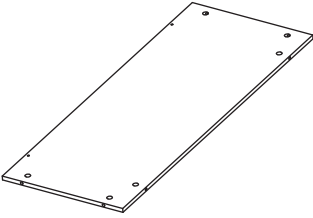
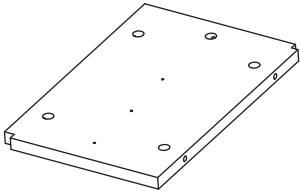
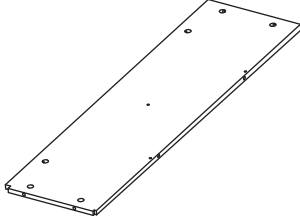
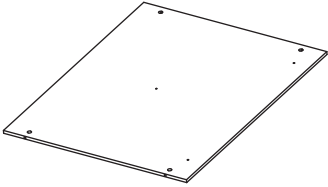
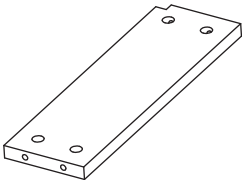
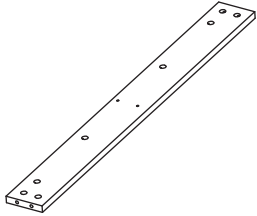
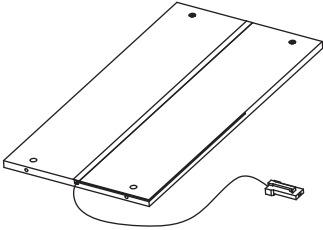
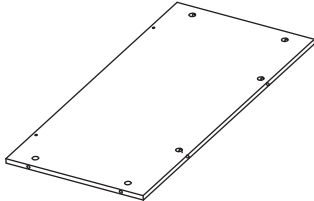
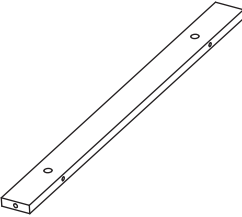
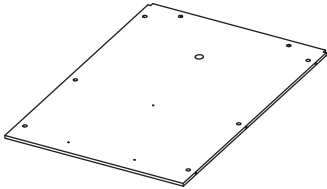
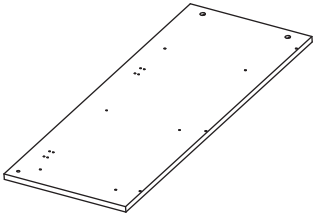
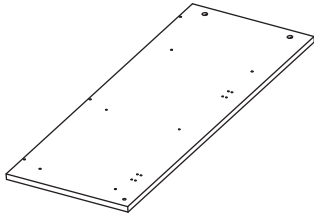
Children have died from furniture tipover. To reduce the risk of furniture tipover:

- ALWAYS install Anti-tip device provided.
- NEVER put a TV on this product.
- NEVER allow children to stand, climb or hang on drawers, doors, or shelves.
- NEVER open more than one drawer at a time.
- Place heaviest items in the lowest drawers.

*This is a permanent label.
Do not remove!*



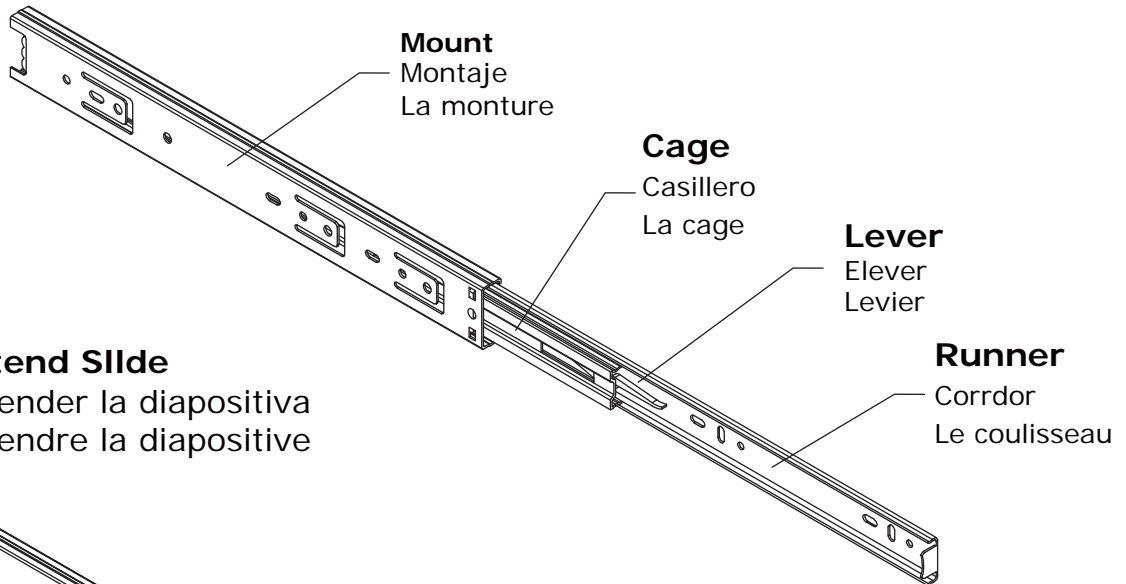
<p>① x3</p> 	<p>② x3</p> 	<p>③ x1</p> 	<p>④ x1</p> 
<p>⑤ x3</p> 	<p>⑥ x1</p> 	<p>⑦ x1</p> 	<p>⑧ x1</p> 
<p>⑨ x2</p> 	<p>⑩ x2</p> 	<p>⑪ x2</p> 	<p>⑫ x2</p> 
<p>⑬ x1</p> 	<p>⑭ x1</p> 	<p>⑮ x1</p> 	<p>⑯ x3</p> 
<p>⑰ x1</p> 	<p>⑱ x1</p> 	<p>⑲ x1</p> 	<p>⑳ x1</p> 

<p>②1 x1</p> 	<p>②2 x1</p> 	<p>②3 x1</p> 	<p>②4 x1</p> 
<p>②5 x1</p> 	<p>②6 x1</p> 	<p>②7 x1</p> 	<p>②8 x1</p> 
<p>②9 x1</p> 	<p>③0 x1</p> 	<p>③1 x1</p> 	<p>③2 x1</p> 

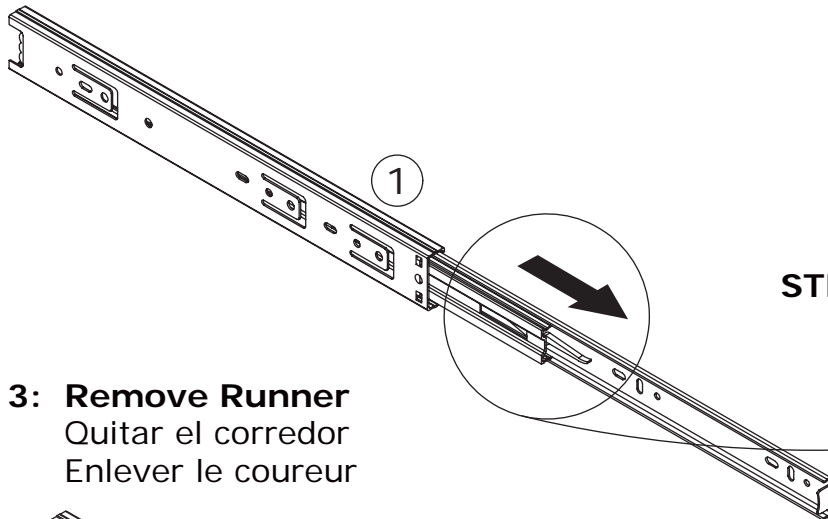
**Slides Must Be Separated Before Assembly.
After Separated, Set Aside Until Needed for Assembly.**

Las diapositivas deben separarse antes del montaje.
Después de la separación, déjelo a un lado hasta que sea necesario.

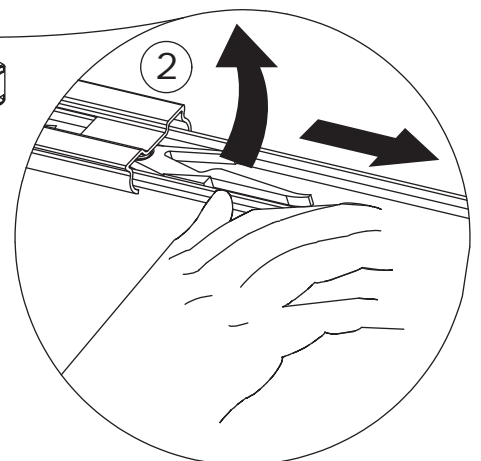
Les glissières doivent être séparées avant l'assemblage.
Après la séparation, mettez de côté jusqu'au moment de l'assemblage.



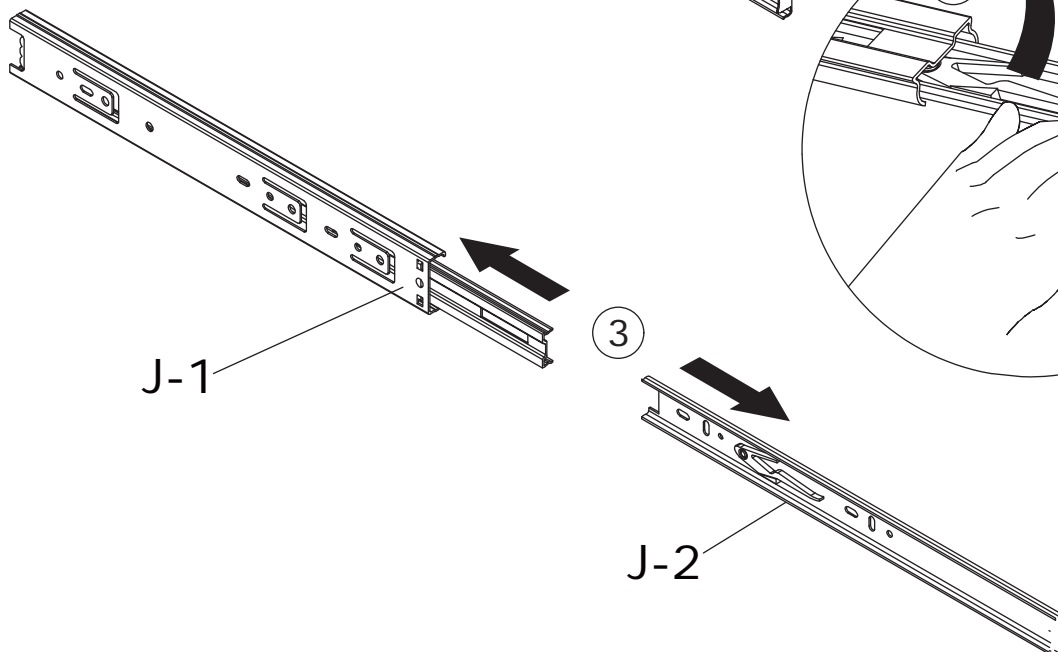
STEP 1: Extend Slide
Extender la diapositiva
Extendre la diapositive



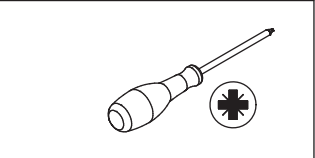
STEP 2: Push Lever UP
Empujar hacia arriba
Levier le levier



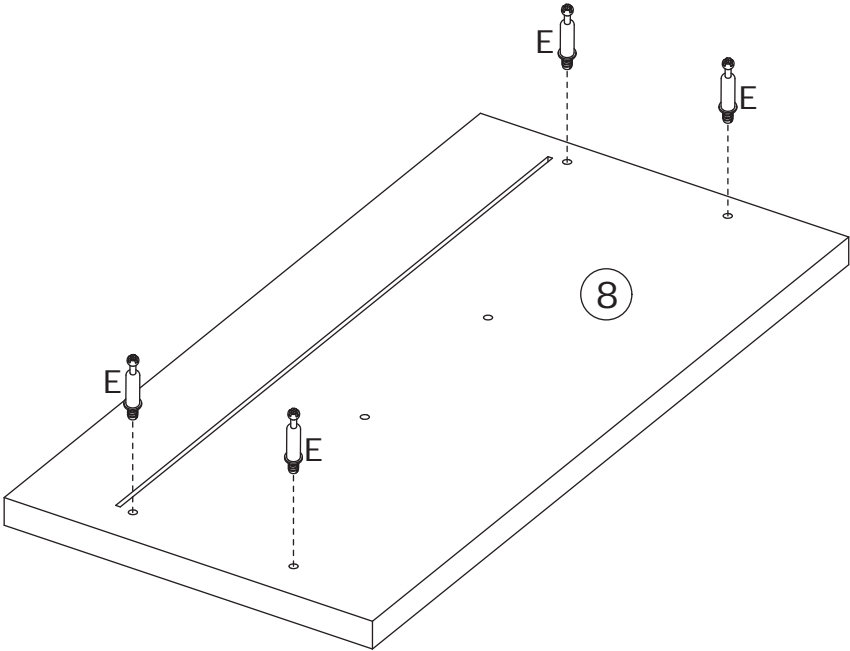
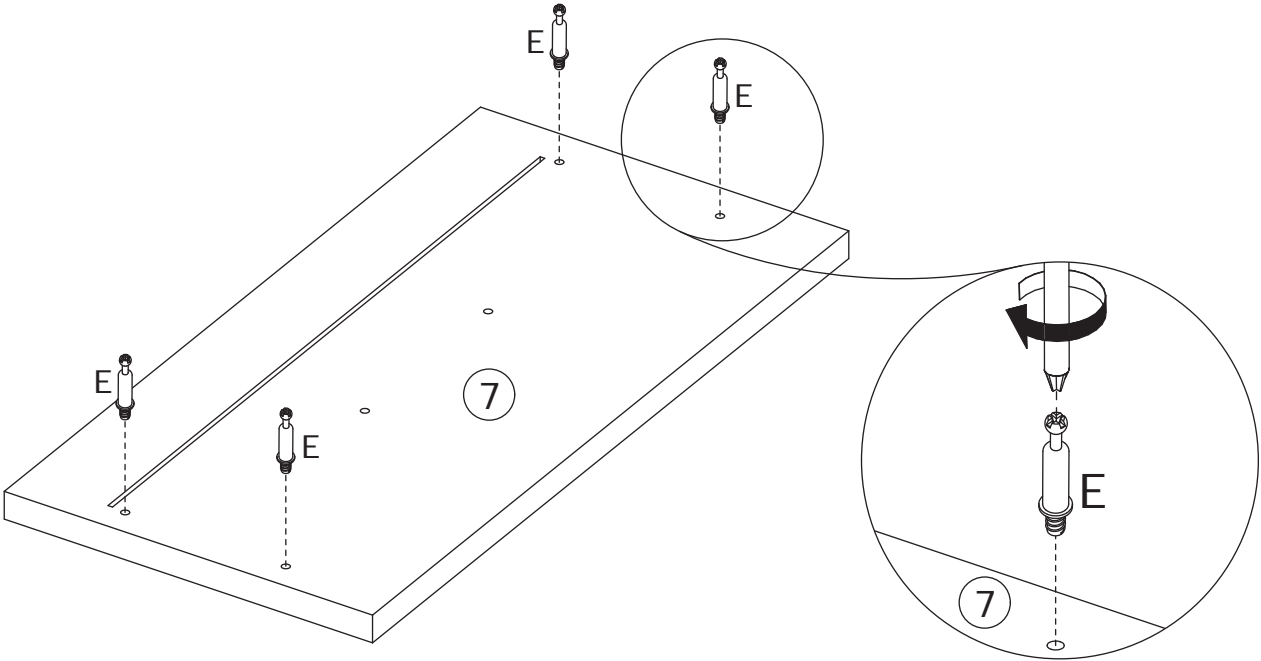
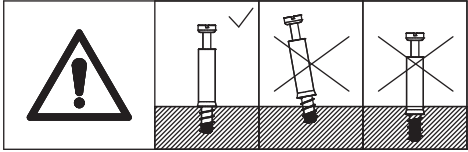
STEP 3: Remove Runner
Quitar el corredor
Enlever le coureur



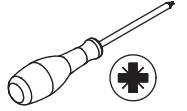
1



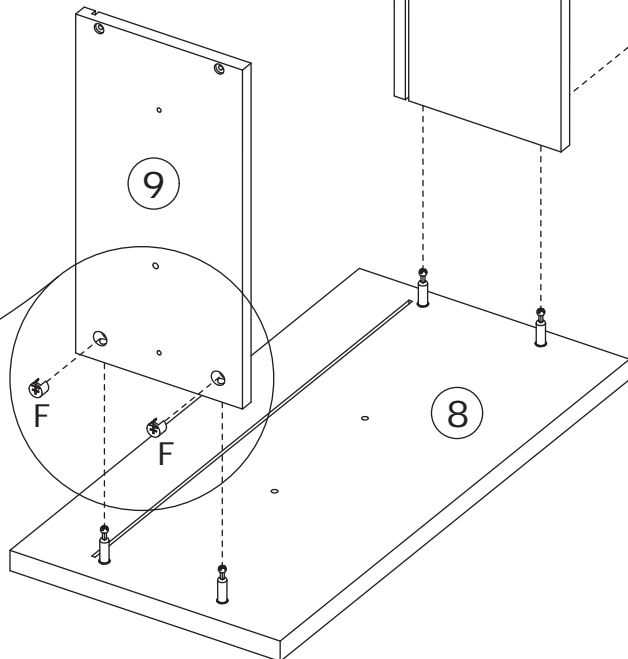
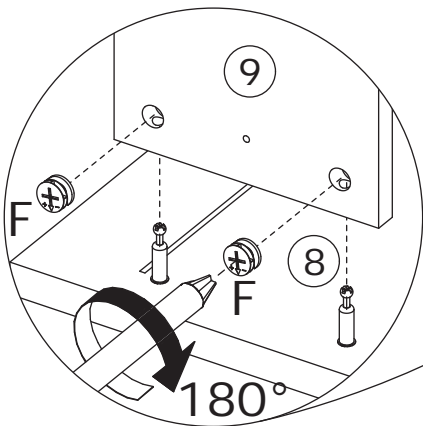
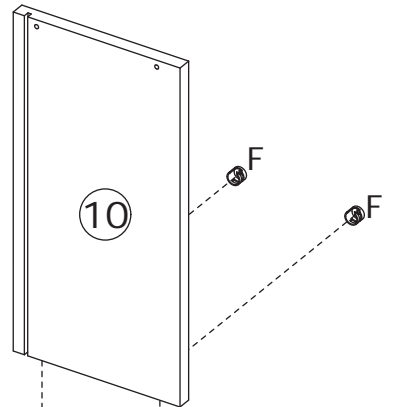
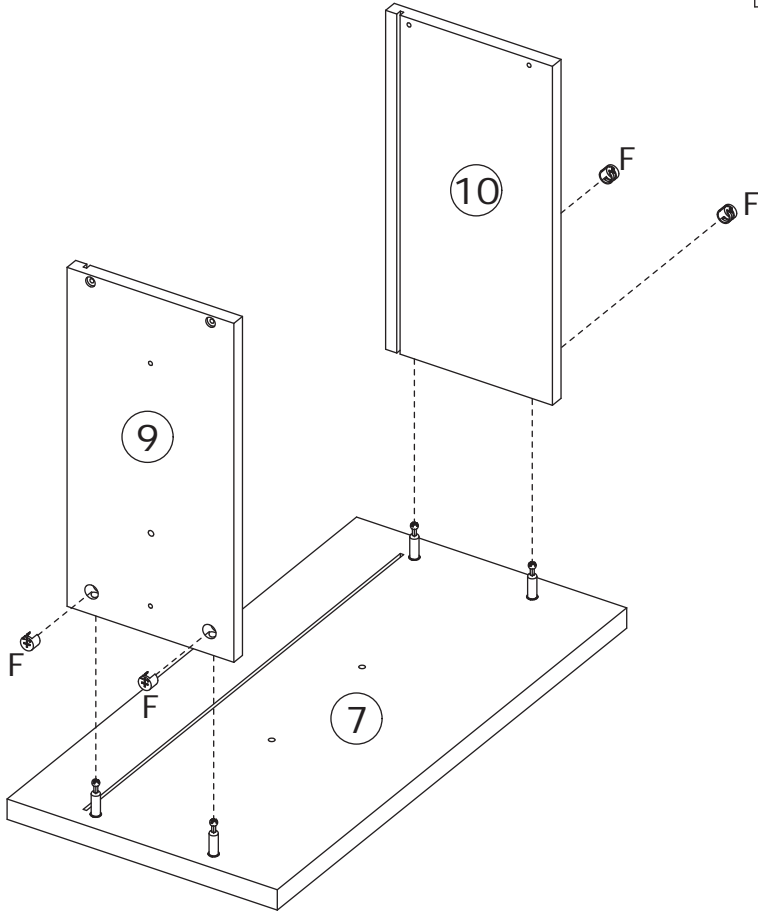
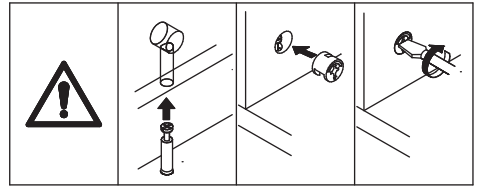
Screw eccentric rod (E) onto plates 7 and 8 as shown.



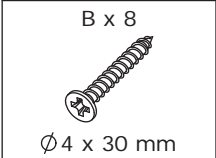
2



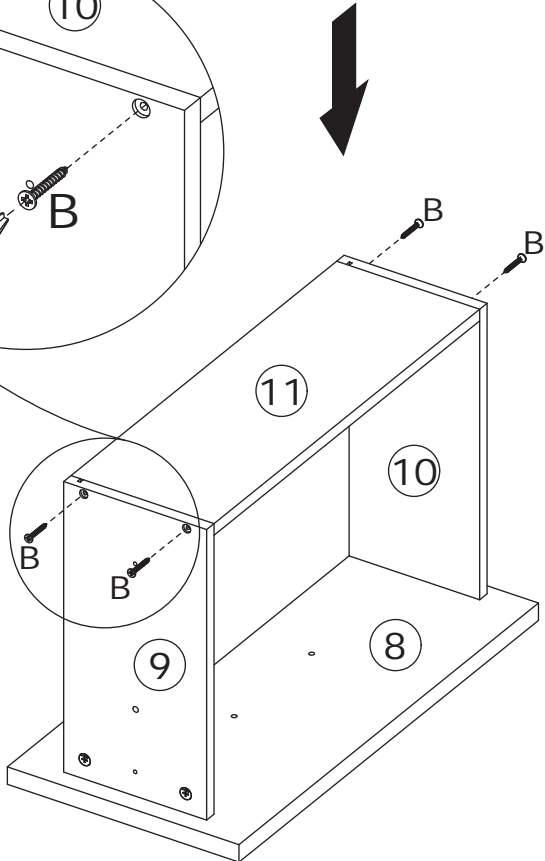
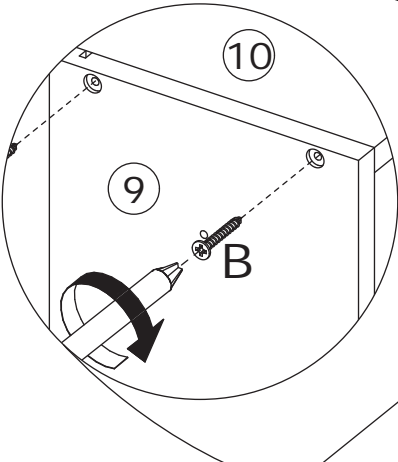
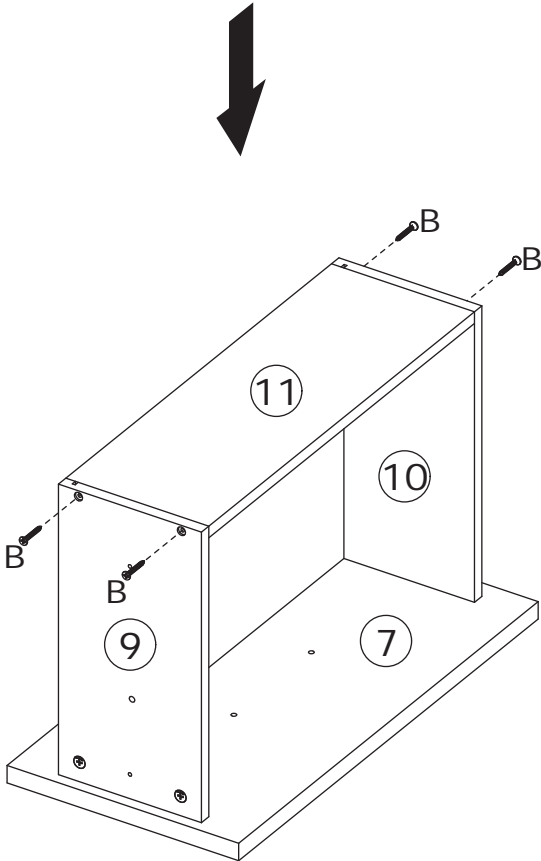
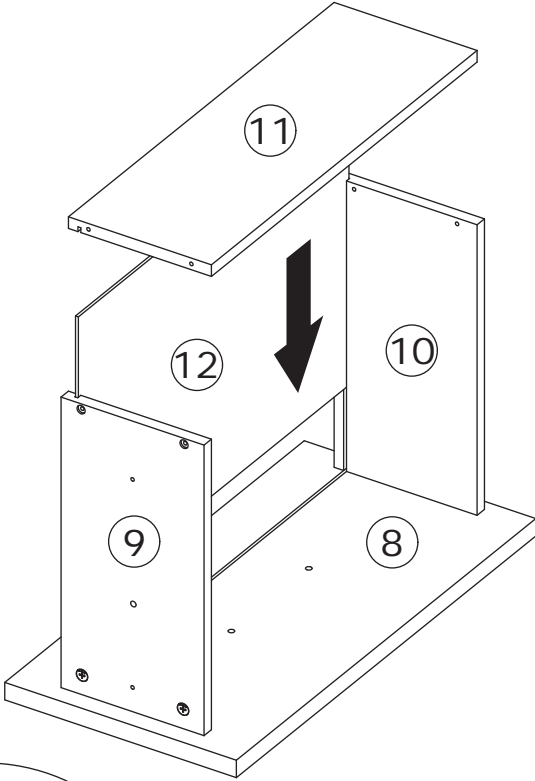
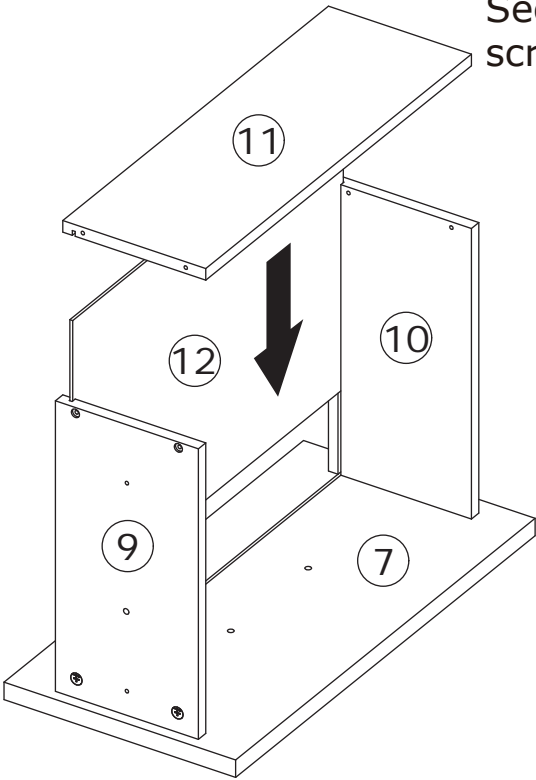
Connect plates 9 and 10 to plates 7 and 8, tighten by turning cam locks (F) clockwise.



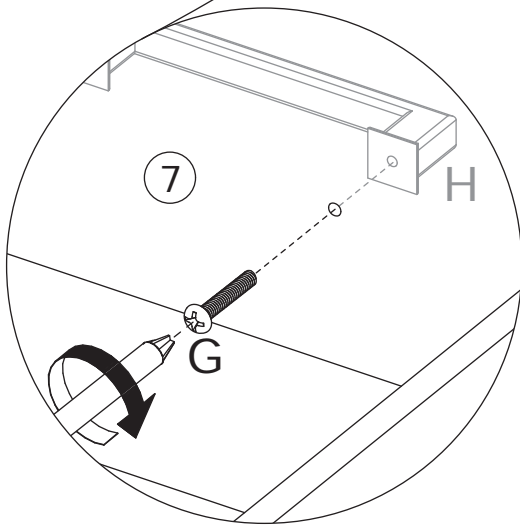
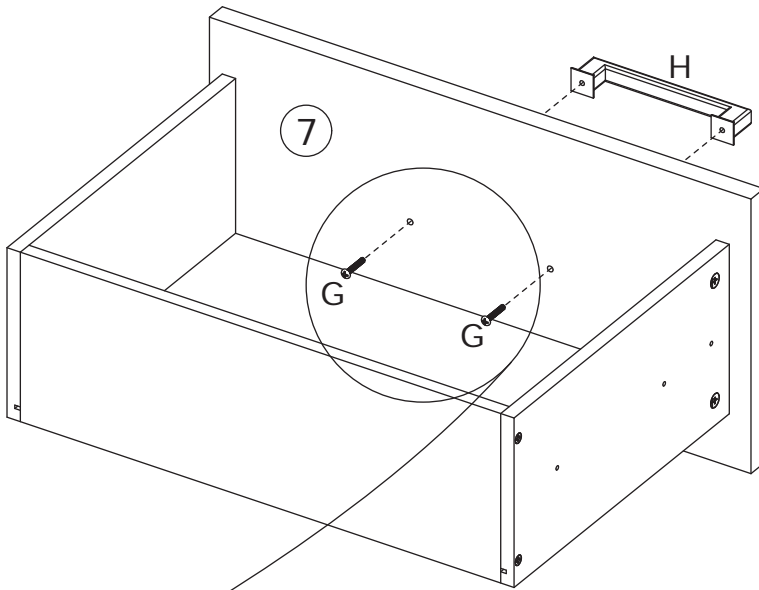
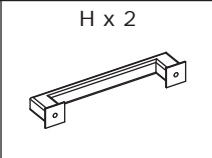
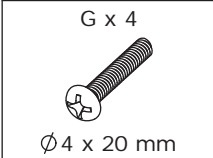
3



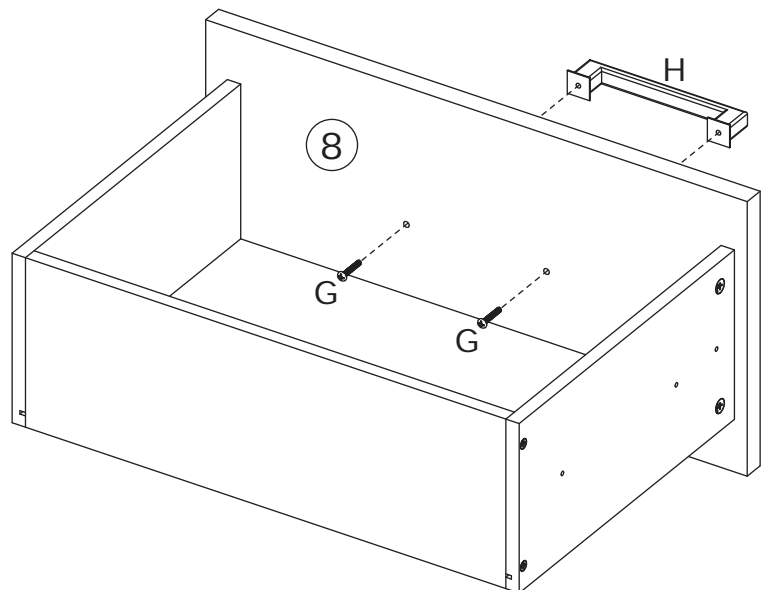
Insert plate 12 along the available grooves.
Secure plate 11 to plates 9 and 10 using
screws (B).



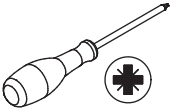
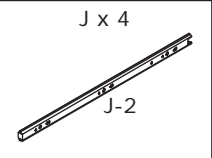
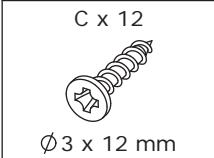
4



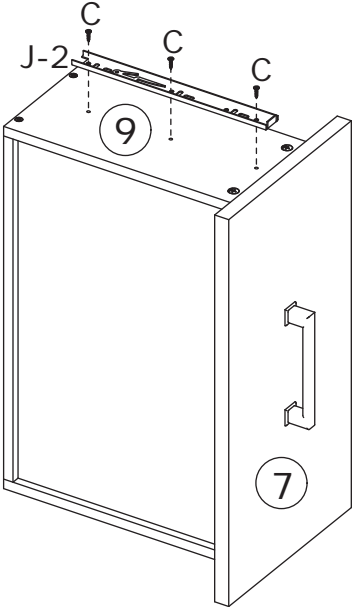
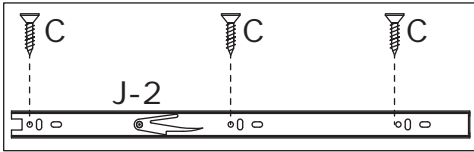
Secure handle (H) to plates 7 and 8 respectively using screws (G) as shown.



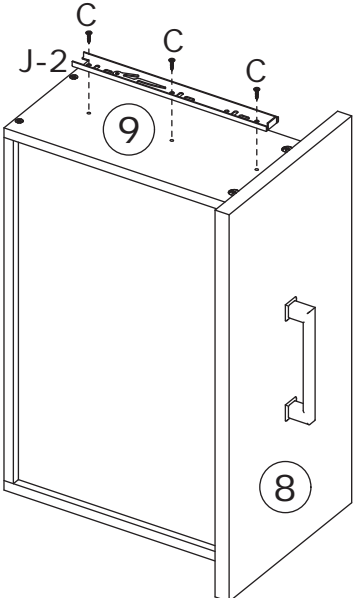
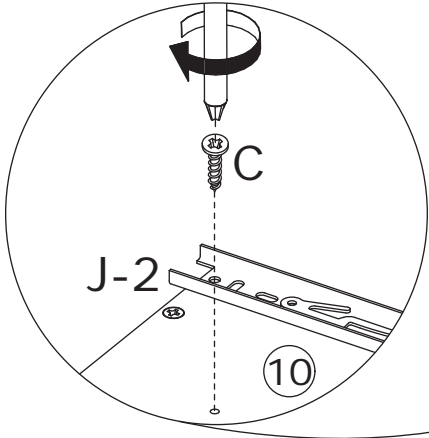
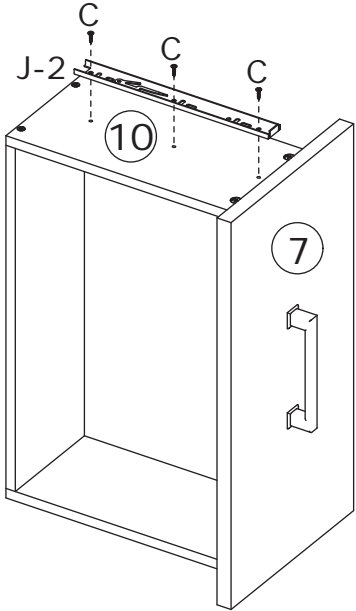
5



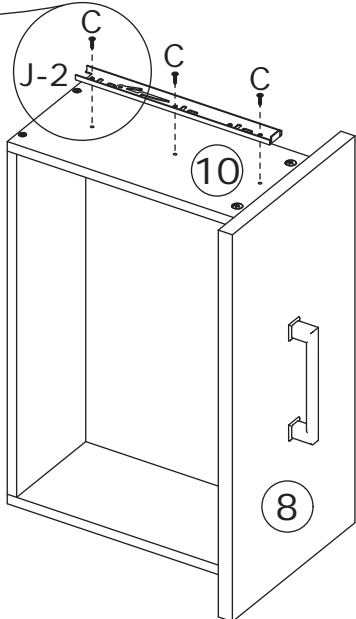
Secure slide rails (J-2) to plates 9 and 10 using screws (C) as shown.



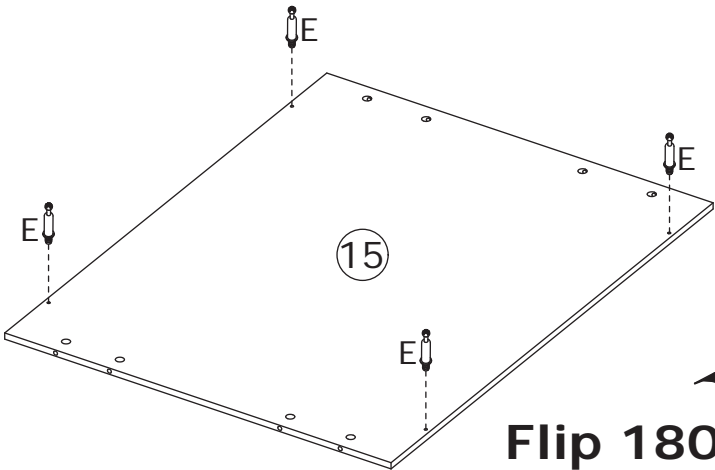
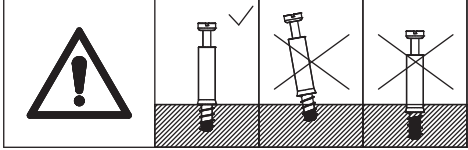
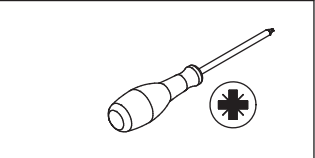
Flip 180°



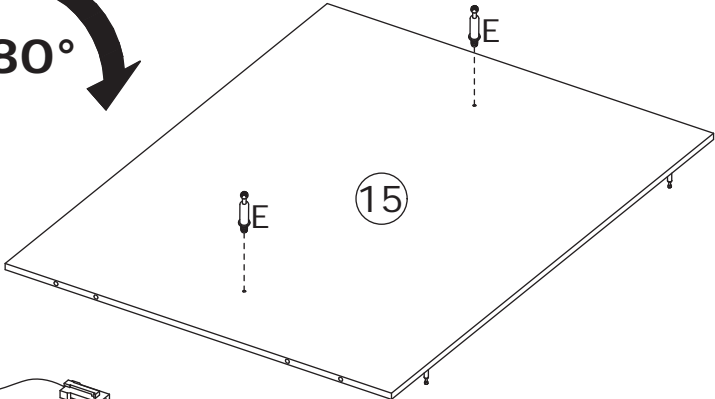
Flip 180°



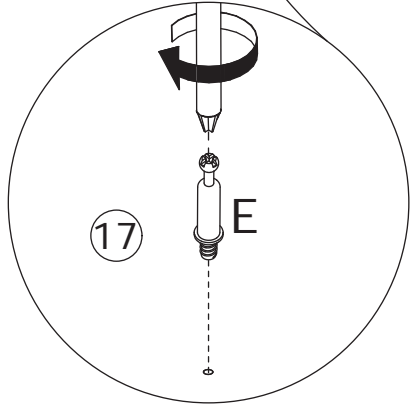
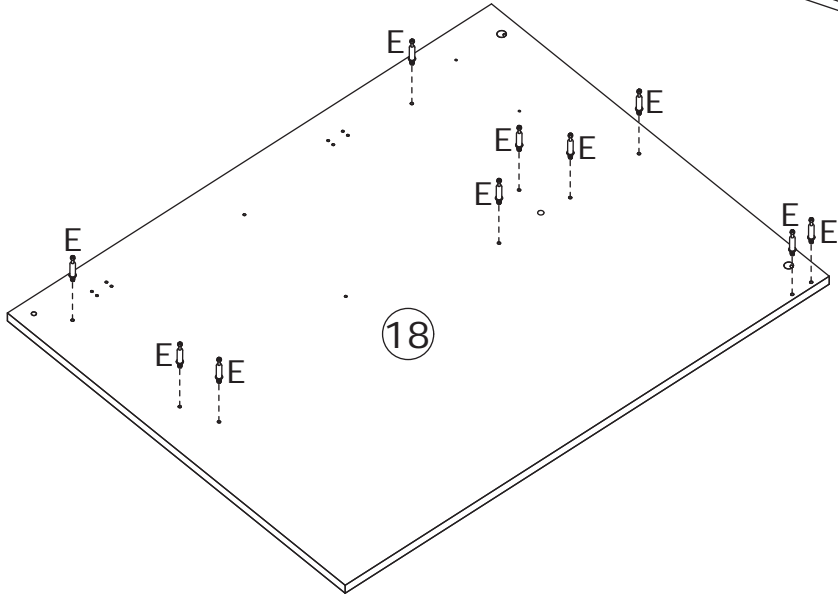
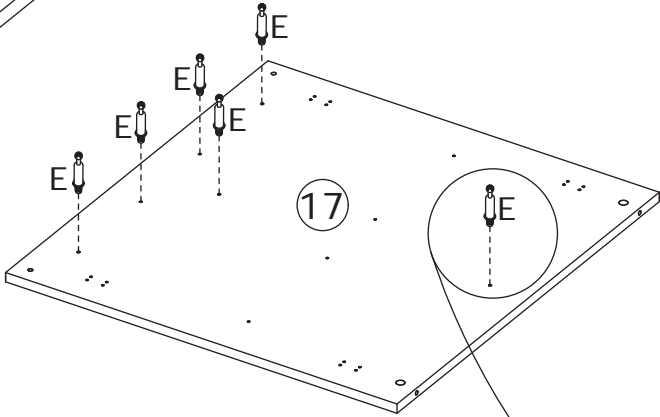
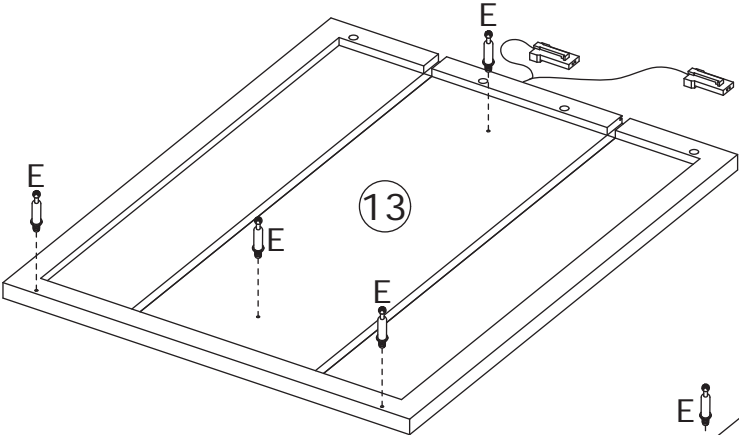
7



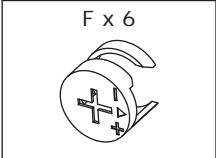
Flip 180°



Screw eccentric rod (E) onto plates 13, 15, 17 and 18 as shown.

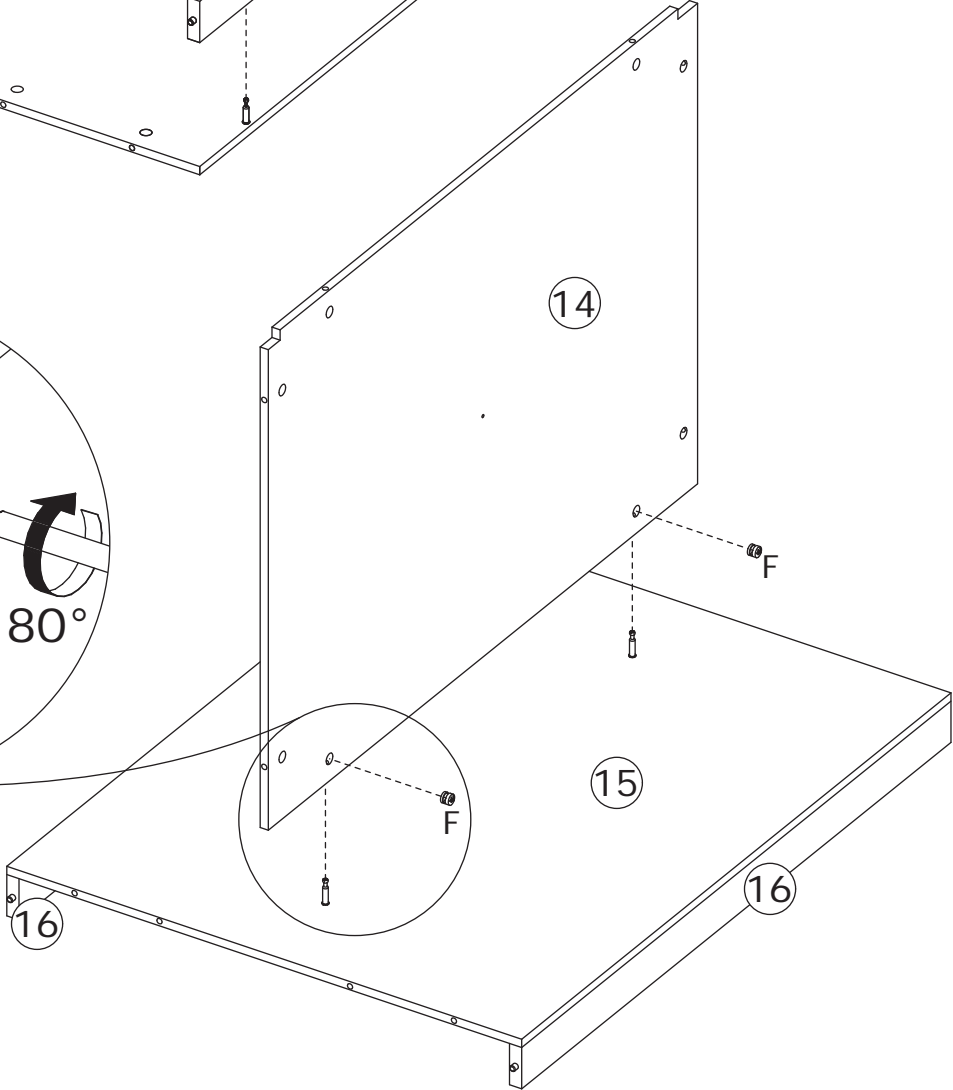
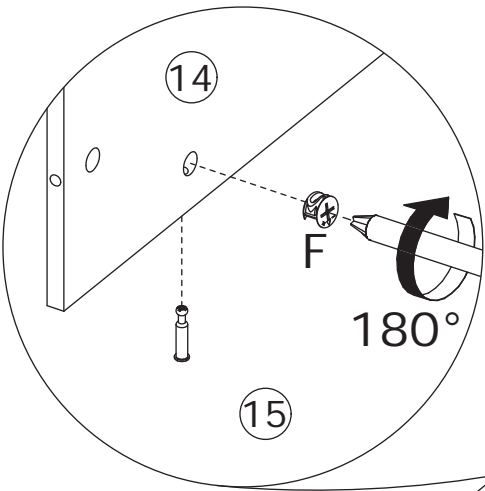
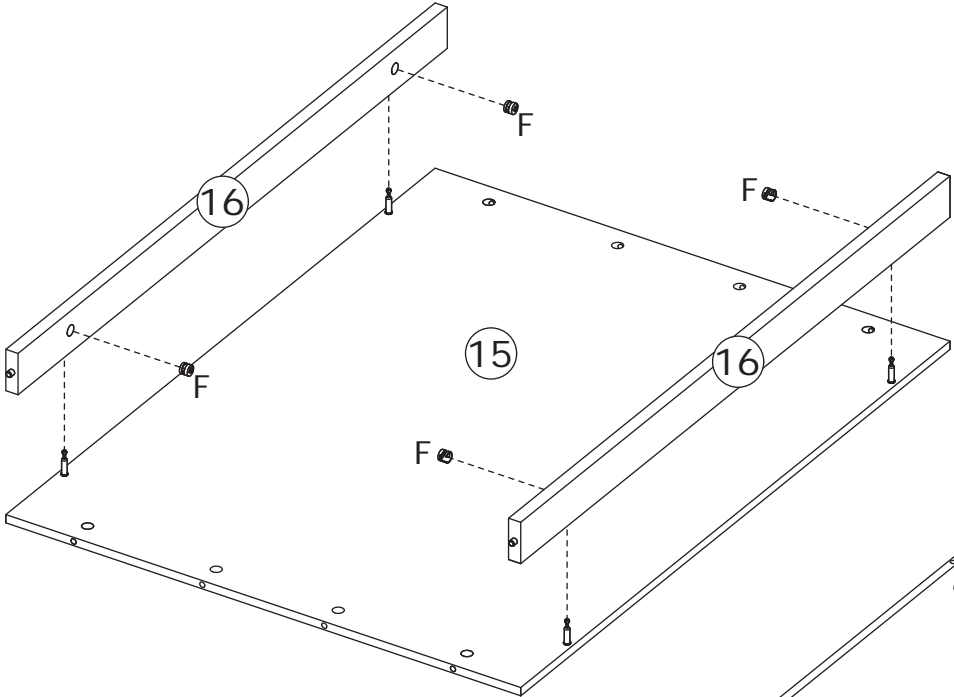
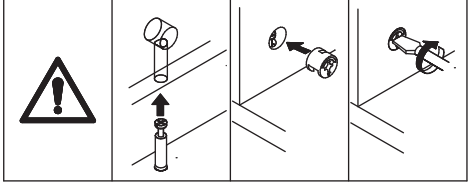


8

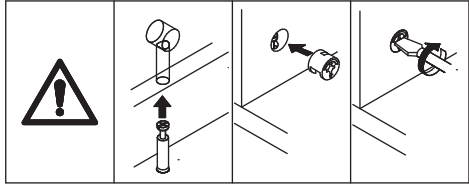
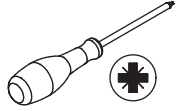
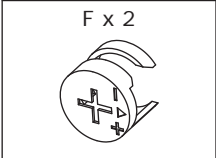


Connect plate 16 to plate 15, tighten by turning cam locks (F) clockwise.

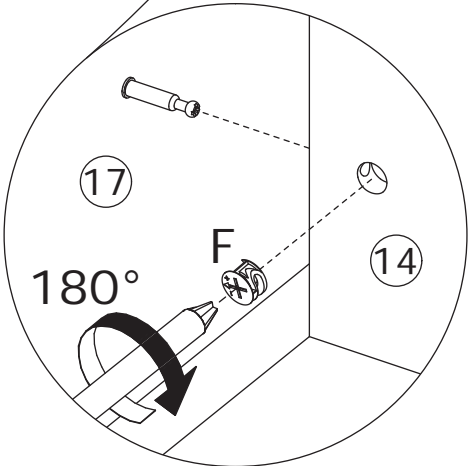
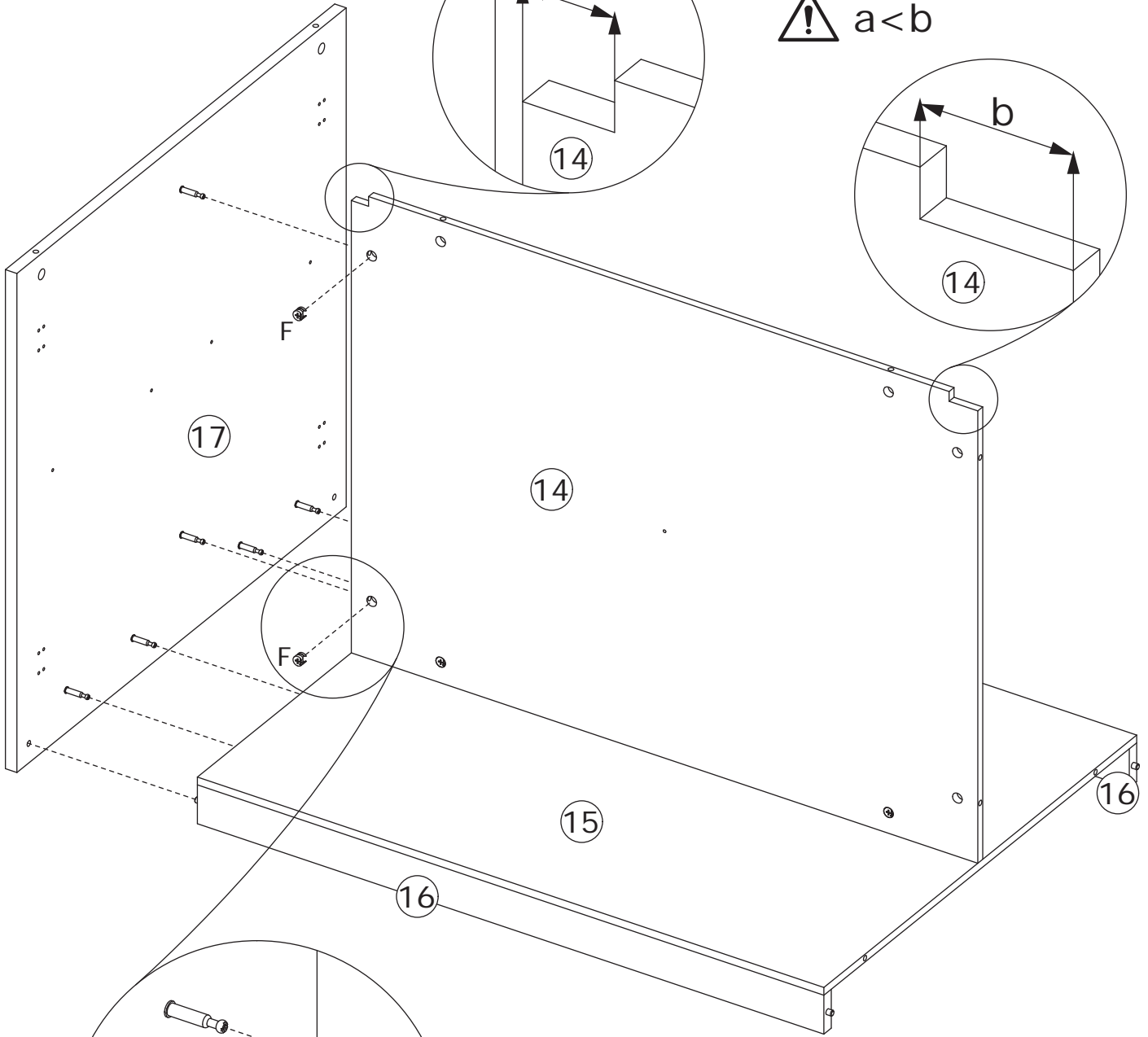
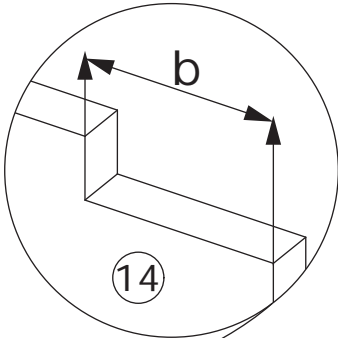
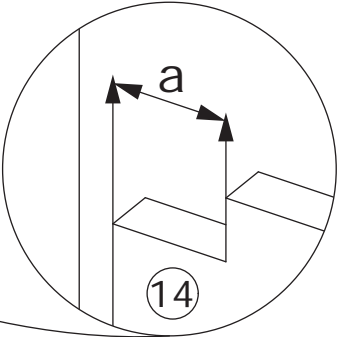
Connect plate 14 to plate 15, tighten by turning cam locks (F) clockwise.



9



! $a < b$

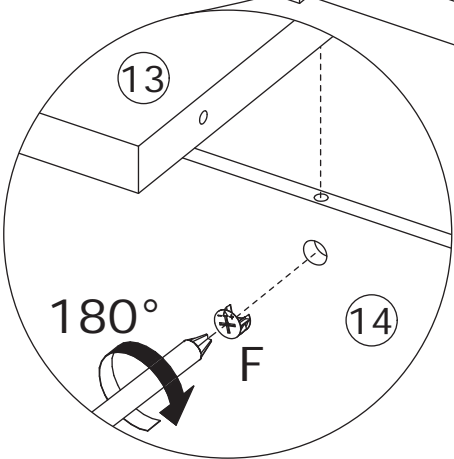
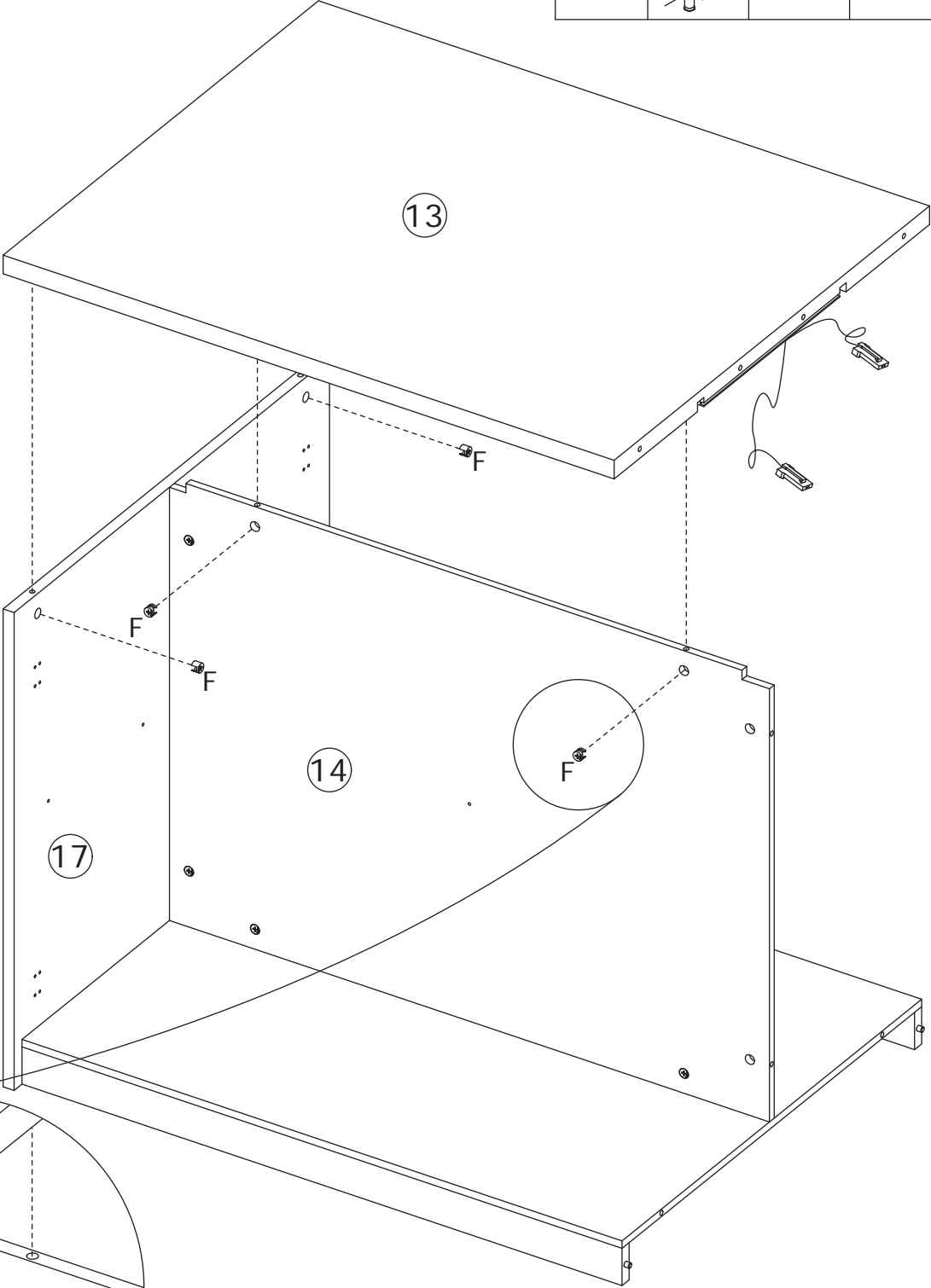
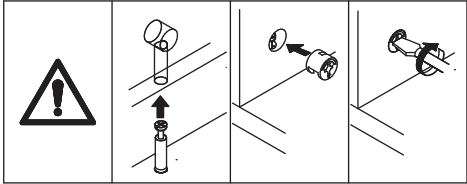


Connect plates 14, 15, and 16 to plate 17, tighten by turning cam locks (F) clockwise.

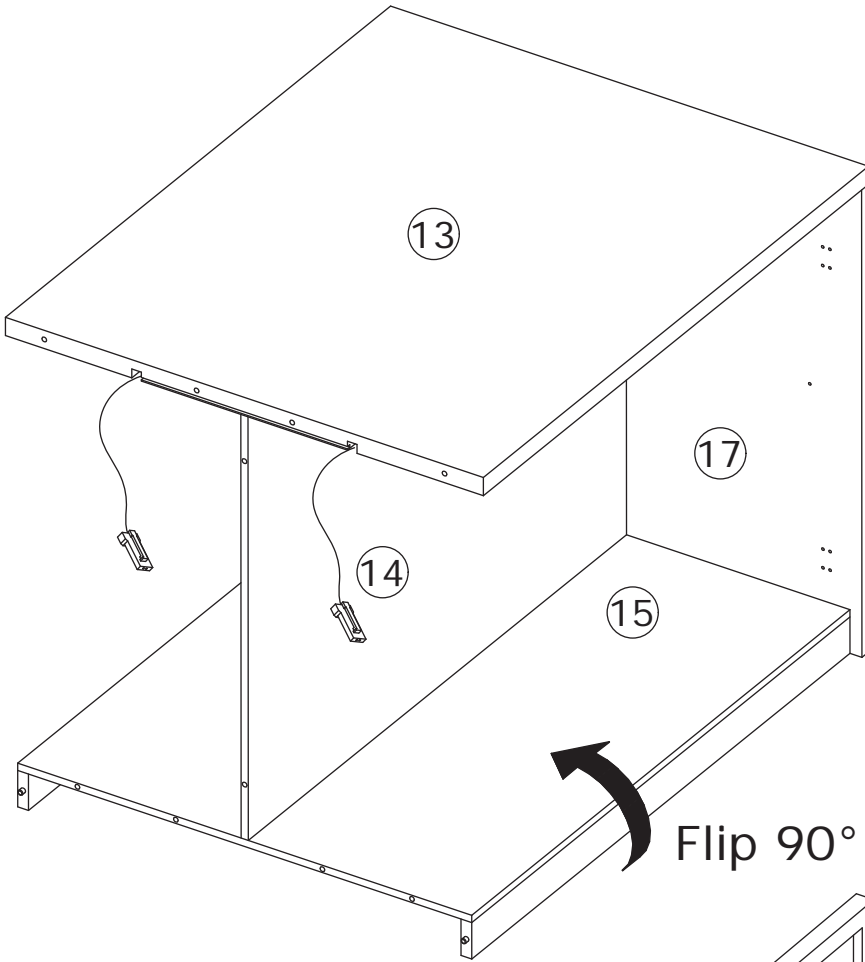
10



Connect plates 14 and 17 to plate 13, tighten by turning cam locks (F) clockwise.

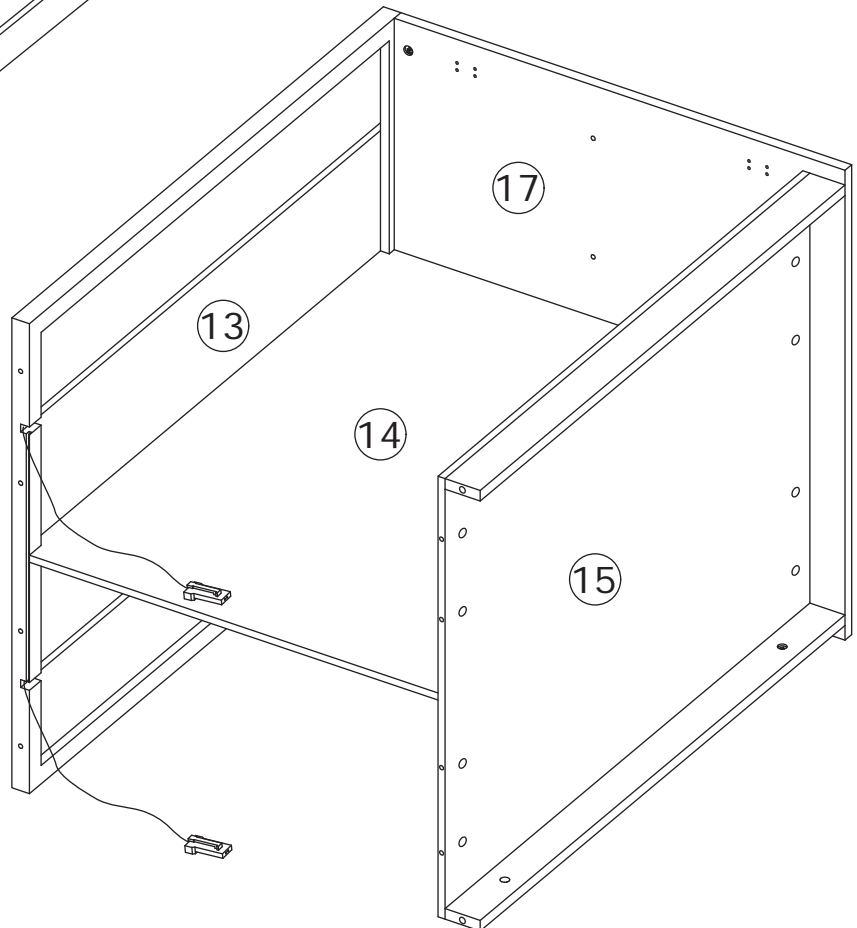


11

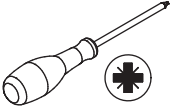


Flip the cabinet over with plate 14 facing up.

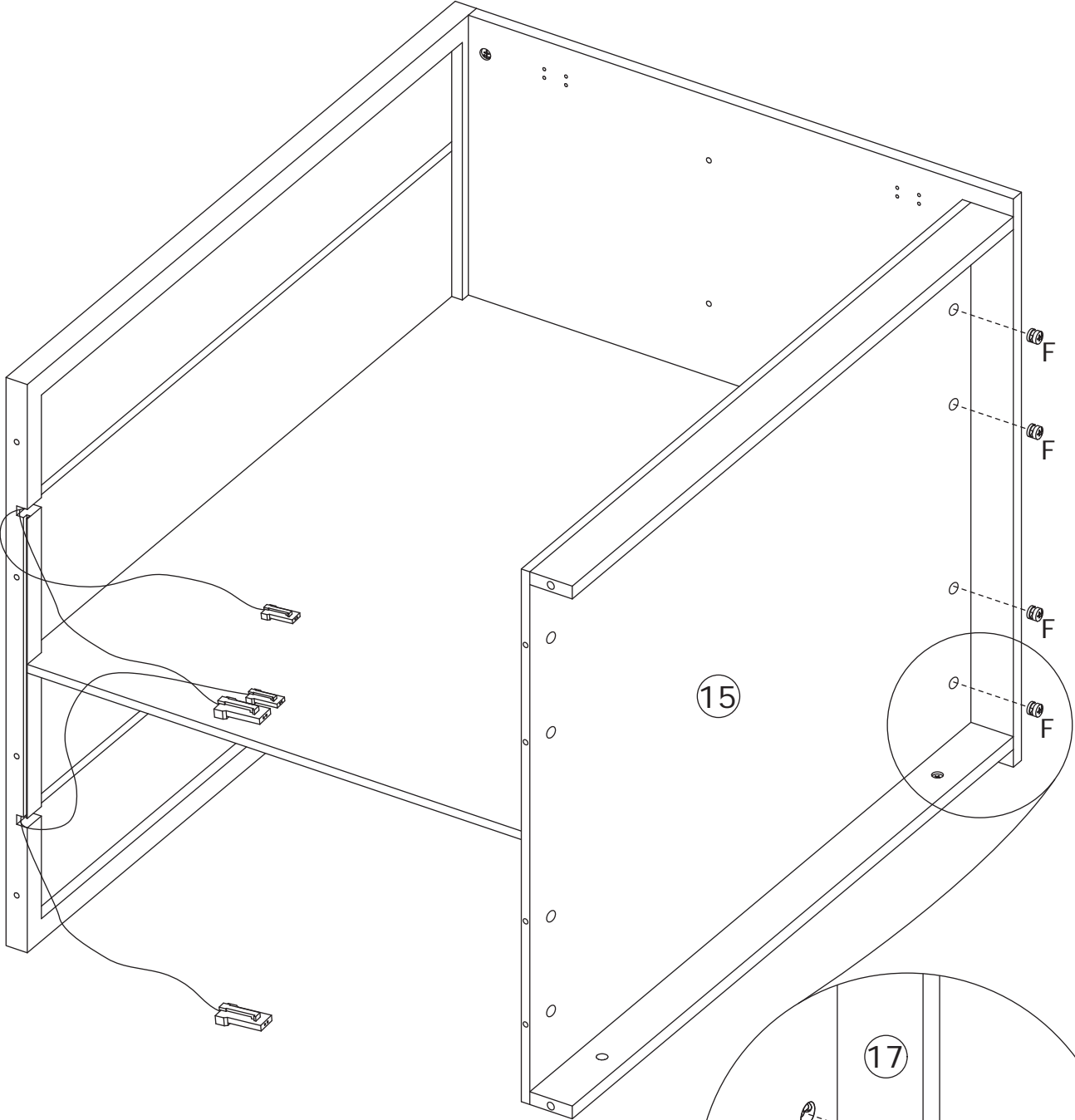
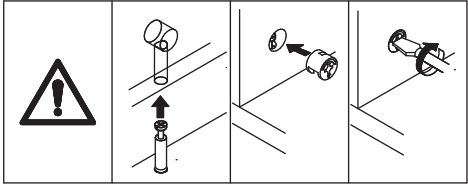
Flip 90°



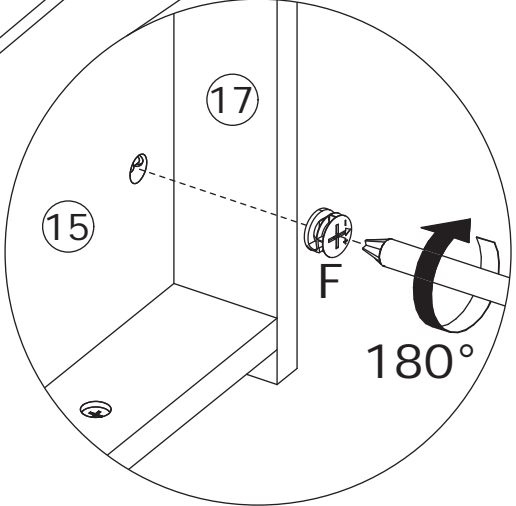
12



Insert cam locks (F) to plate 15 and tighten them clockwise.

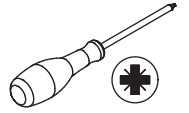


15

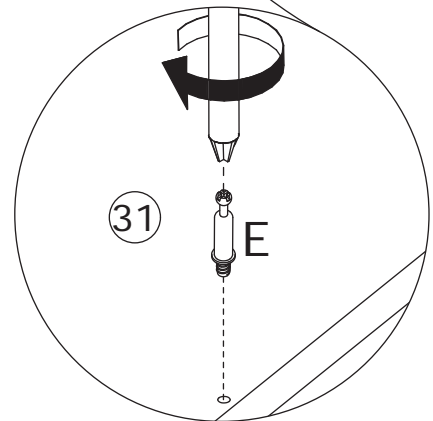
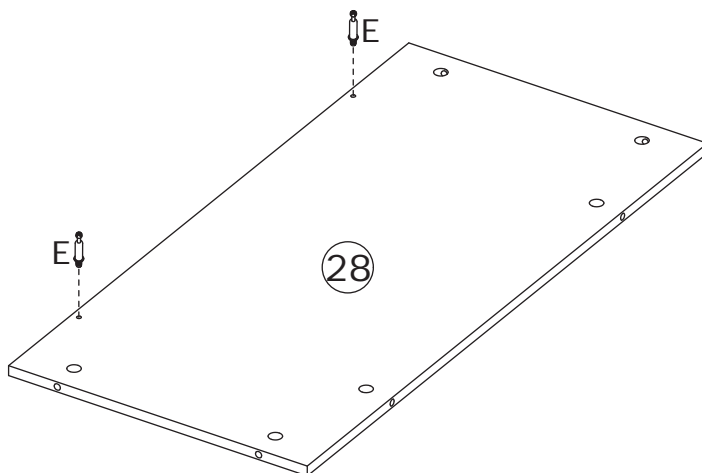
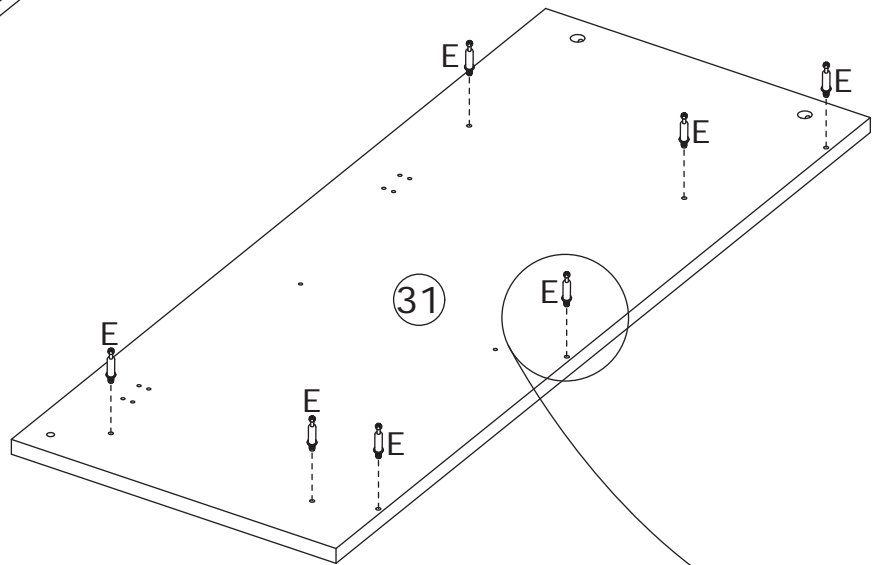
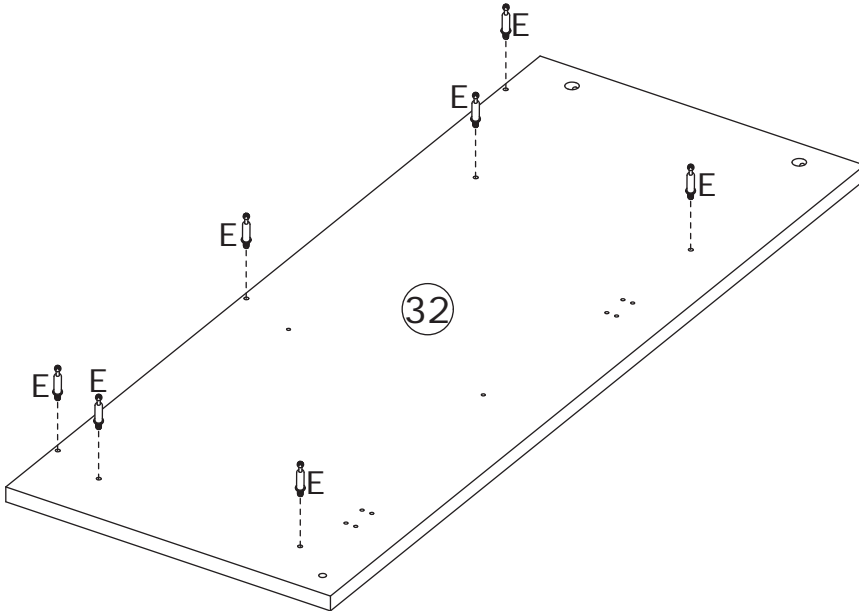
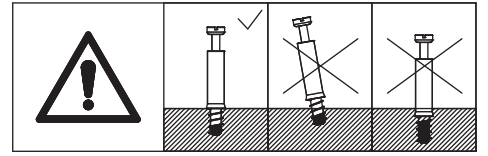


13

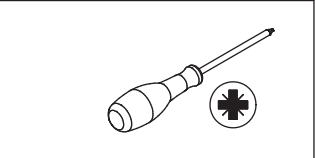
E x 16



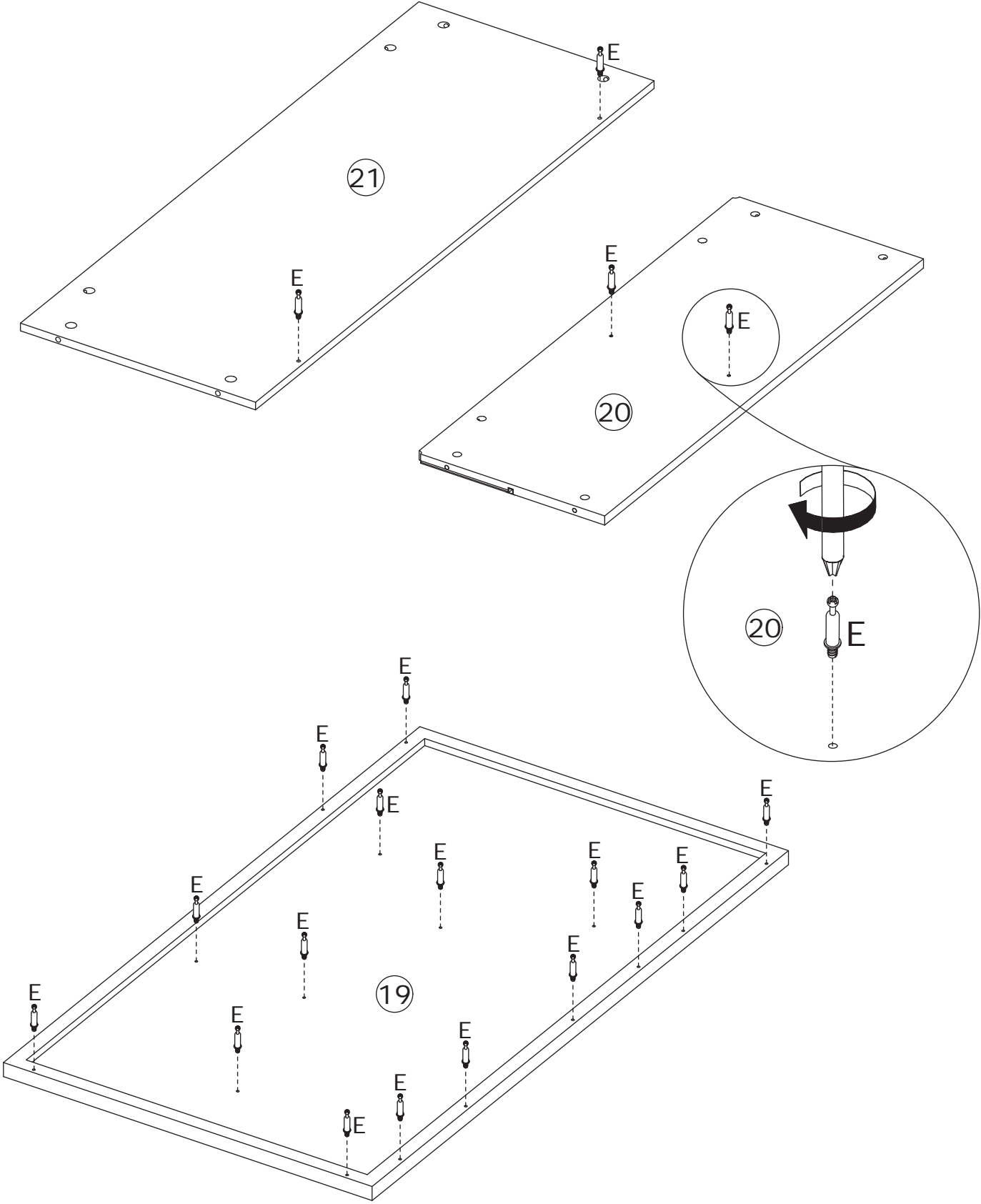
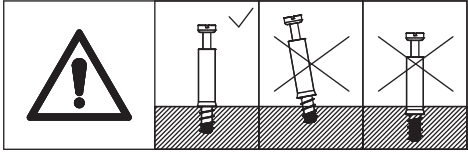
Screw eccentric rod (E) onto plates 28, 31 and 32 as shown.



14

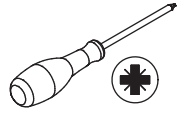


Screw eccentric rod (E) onto plates 19, 20, and 21 as shown.

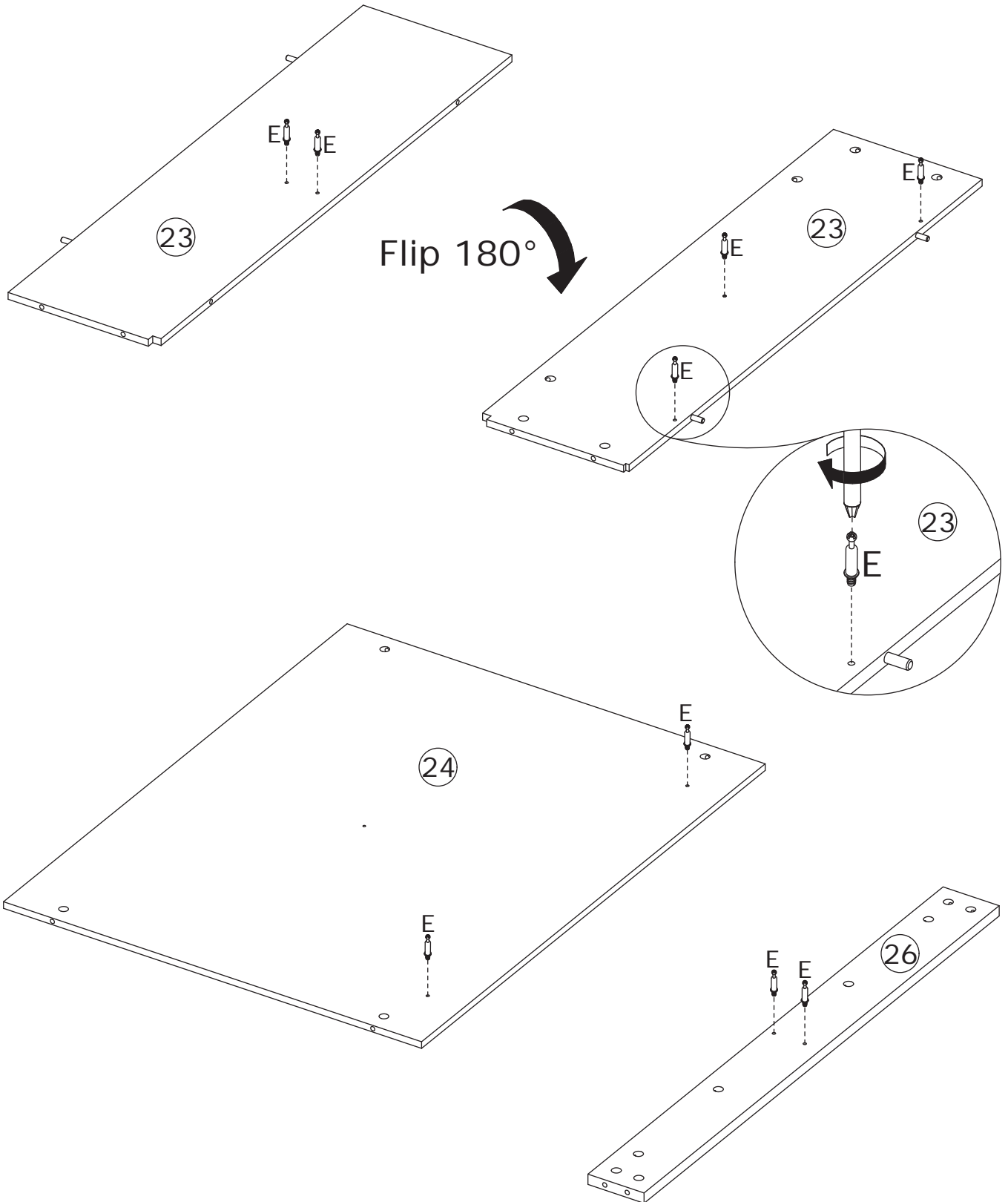
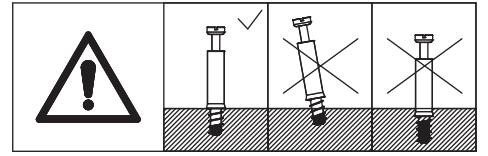


15

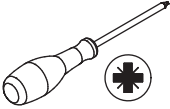
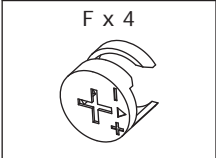
E x 9



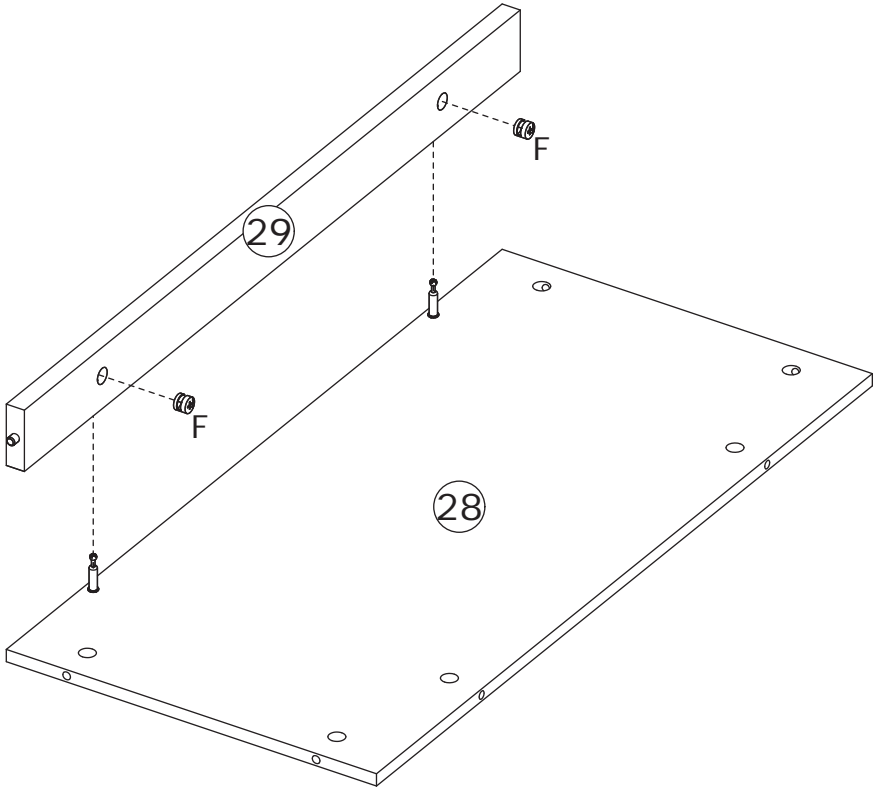
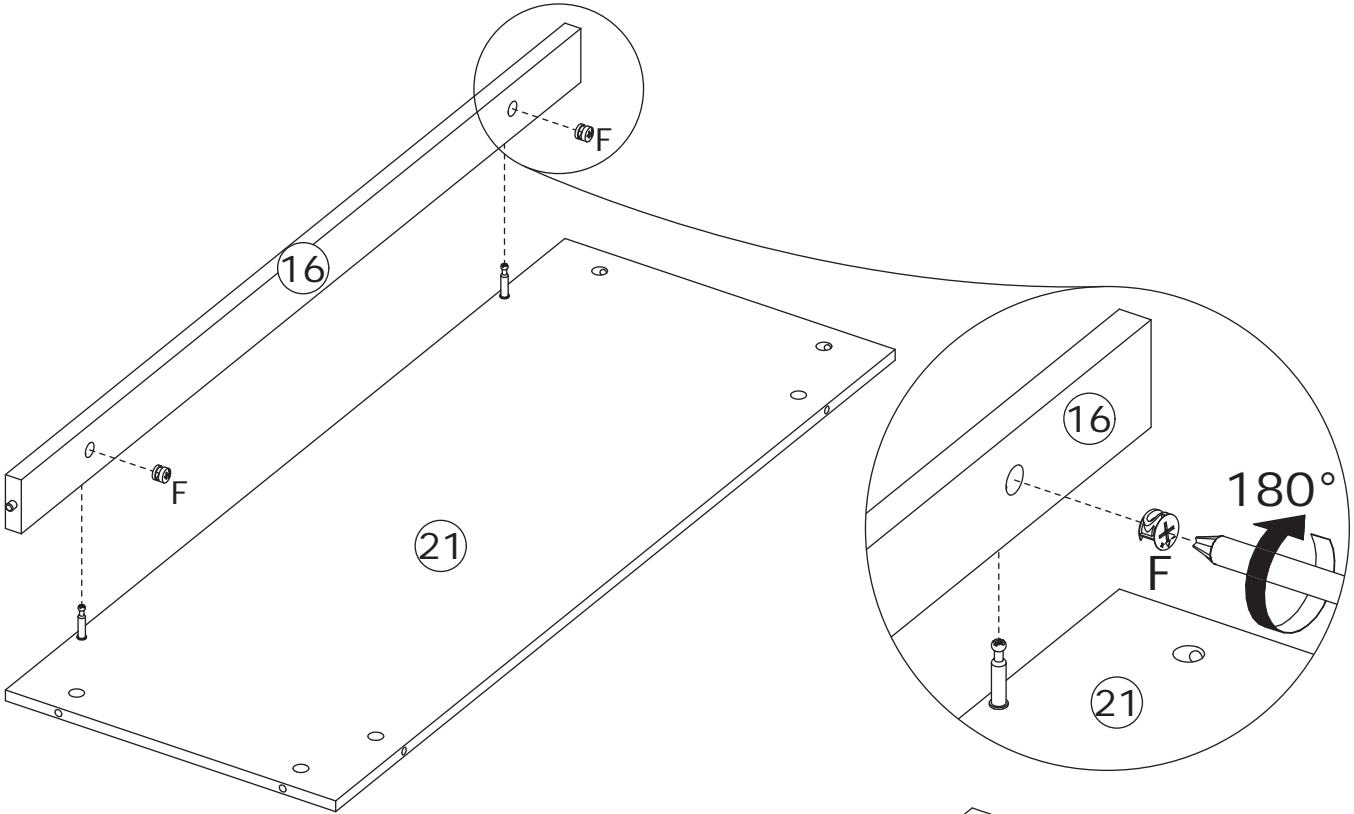
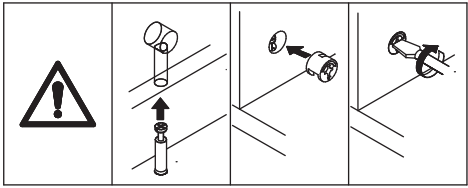
Screw eccentric rod (E) onto plates 23, 24, and 26 as shown.



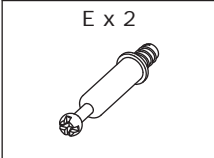
16



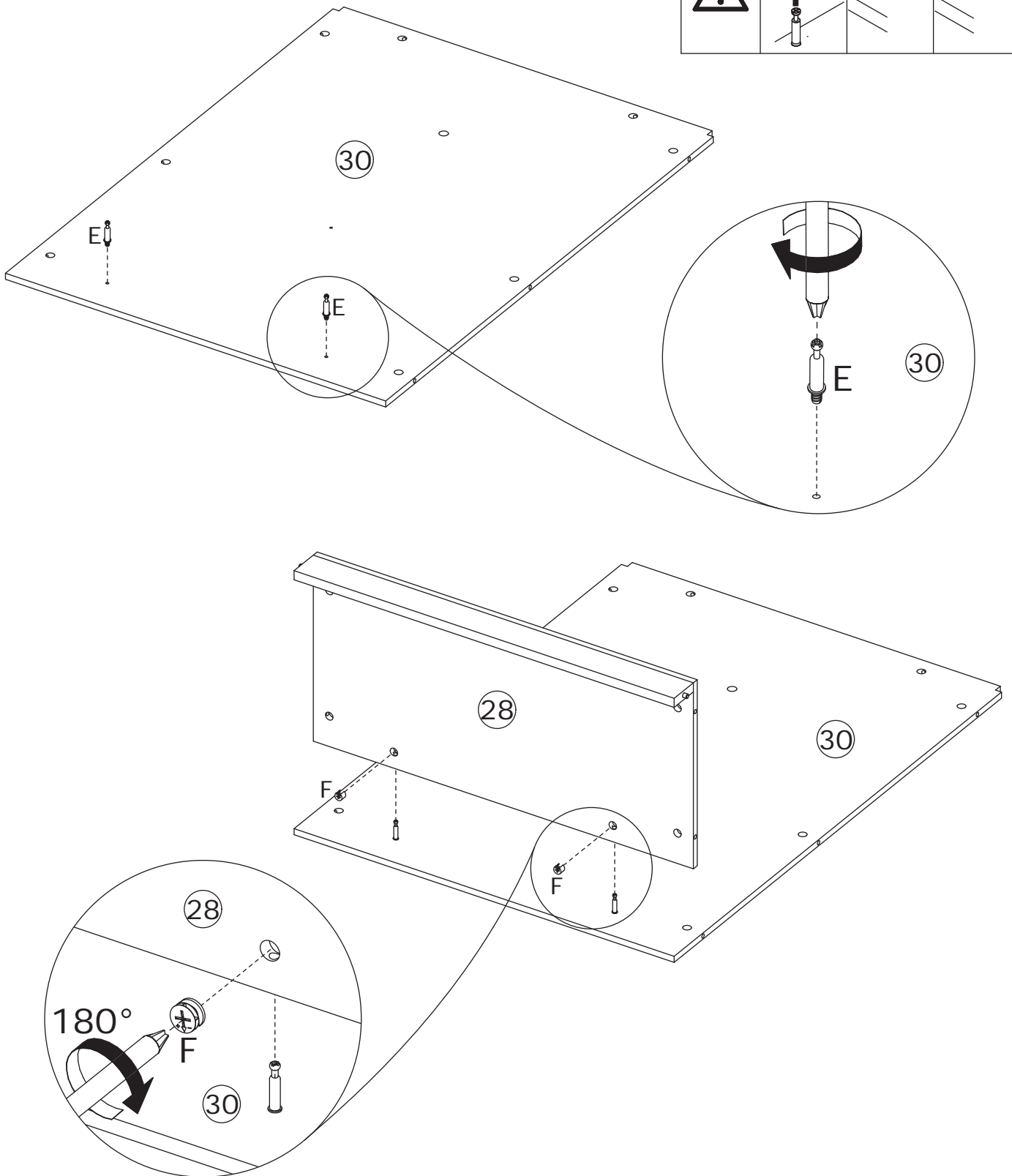
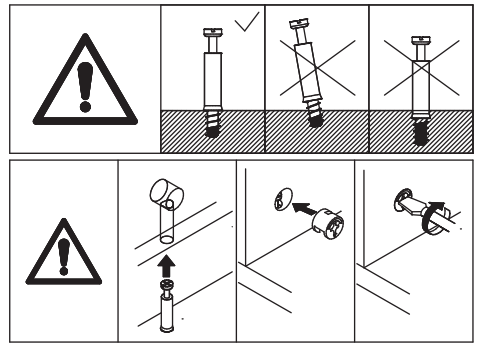
Connect plate 16 to plate 21, plate 29 to plate 28, tighten by turning cam locks (F) clockwise.



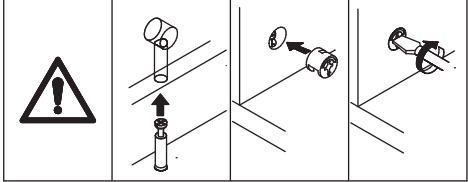
17



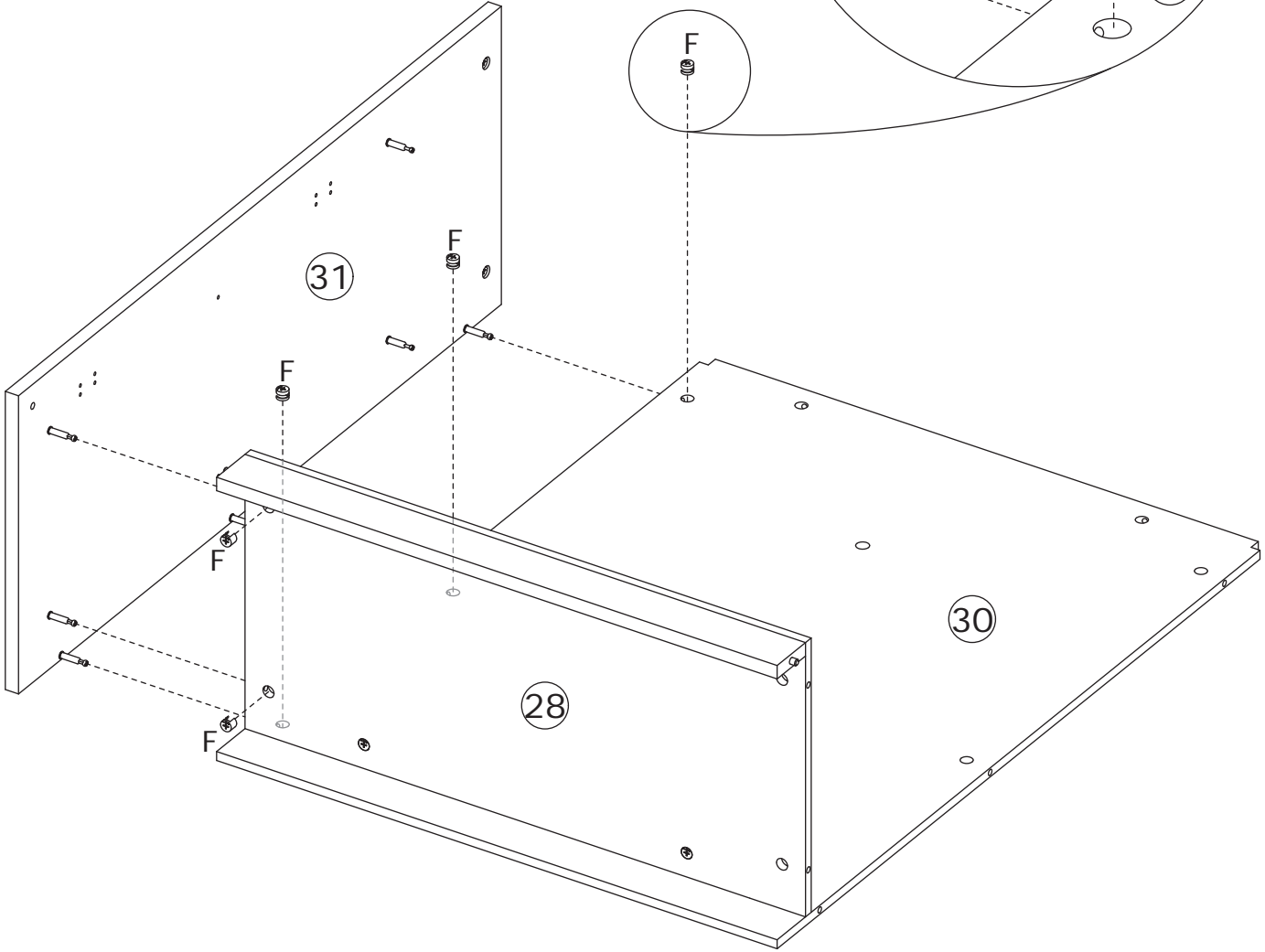
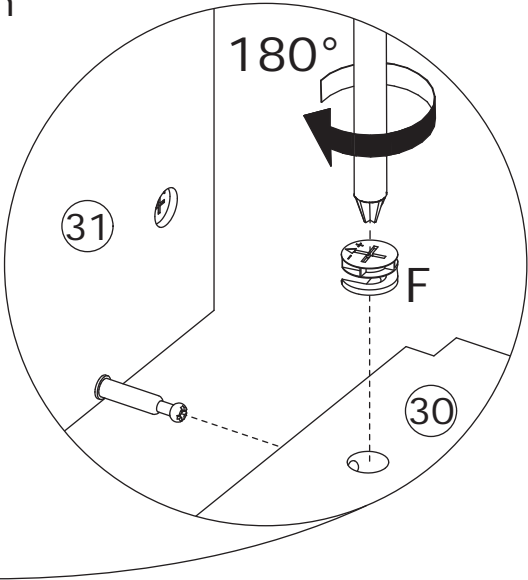
Screw eccentric rod (E) onto plate 30.
Connect plate 28 to plate 30, tighten
by turning cam locks (F) clockwise.



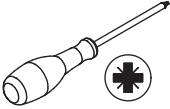
18



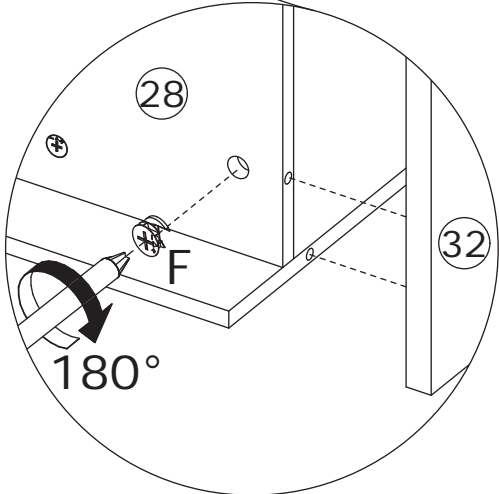
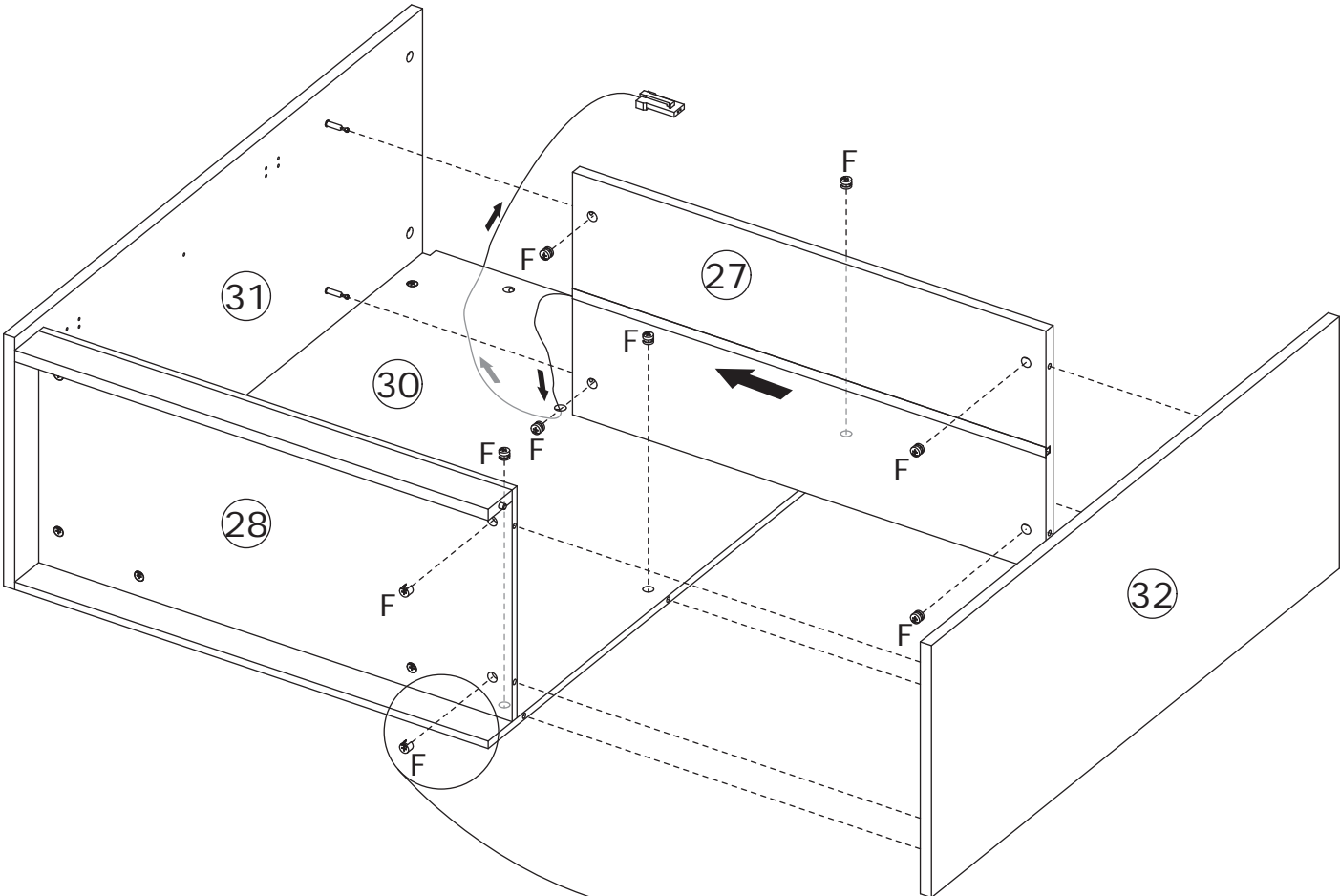
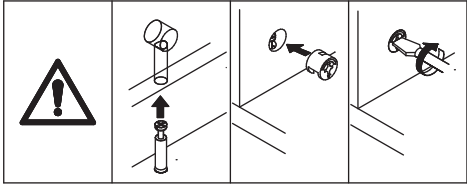
Connect plate 31 to plate 28 and 30, tighten by turning cam locks (F) clockwise.



19

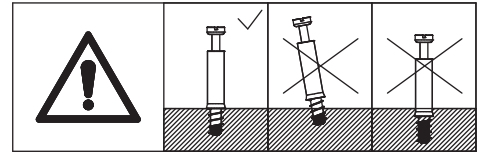
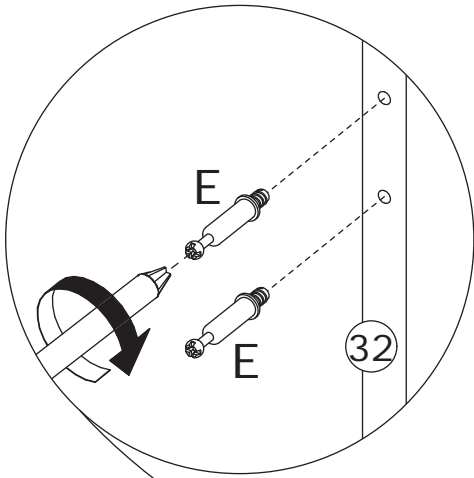
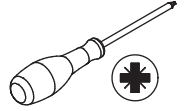


Connect plates 31, 30, and 32 to plate 27, tighten by turning cam locks (F) clockwise.

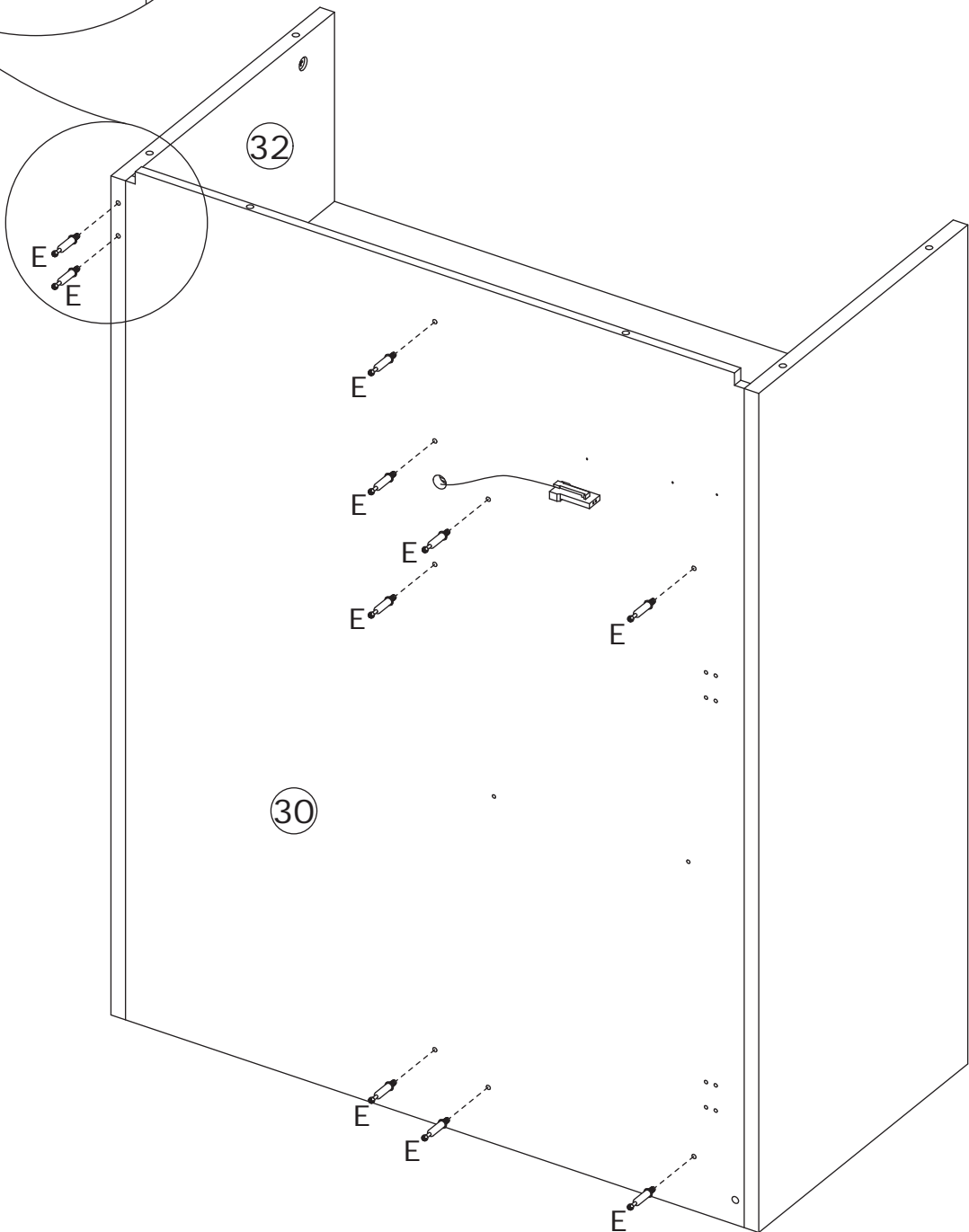


20

E x 10



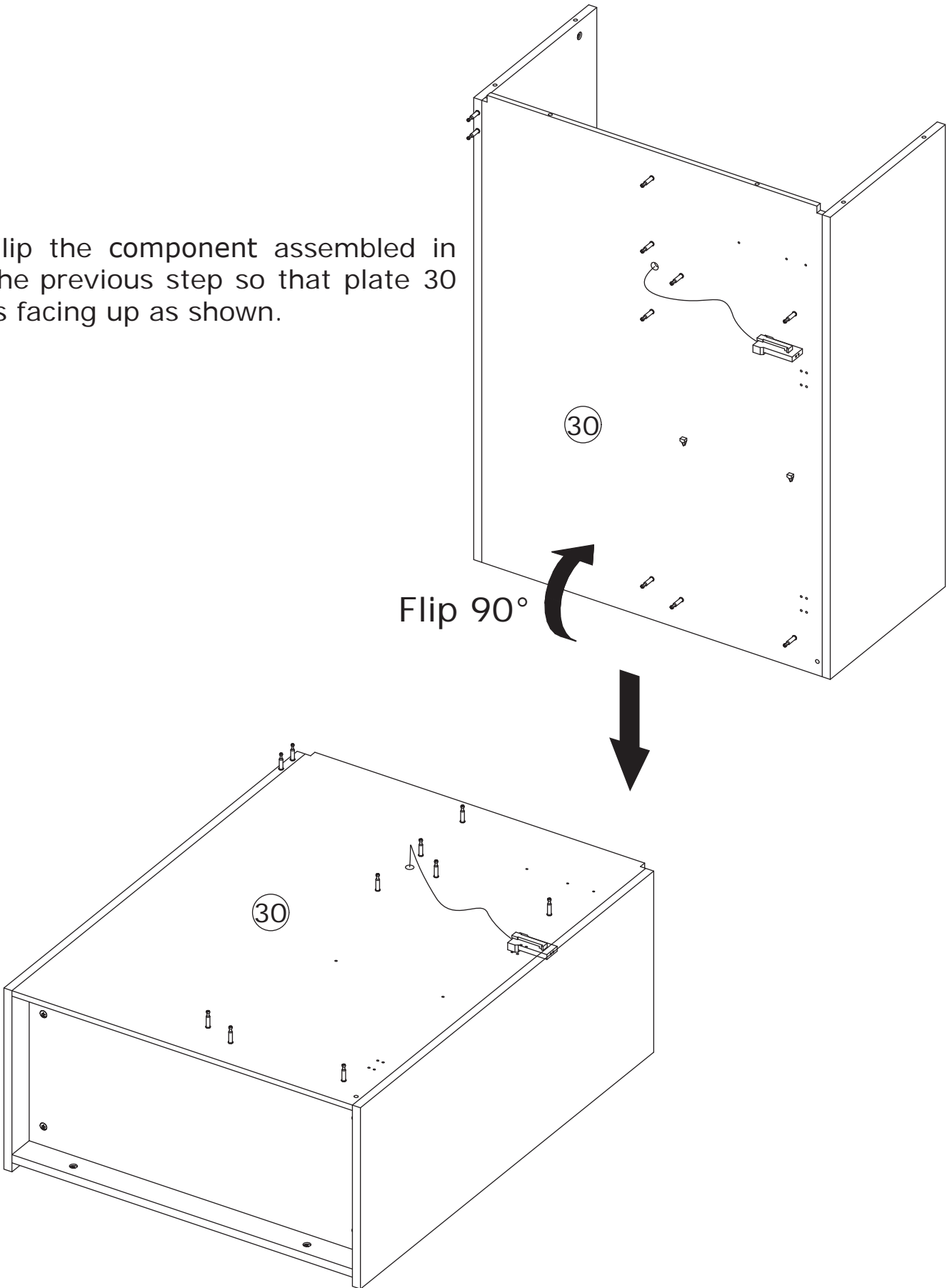
Screw eccentric rod (E) onto plates 30 and 32 as shown.



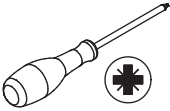
21

Flip the component assembled in the previous step so that plate 30 is facing up as shown.

Flip 90°

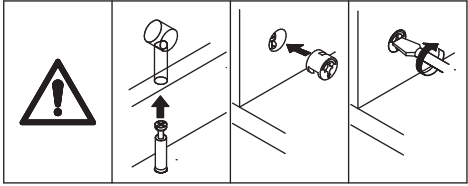


22

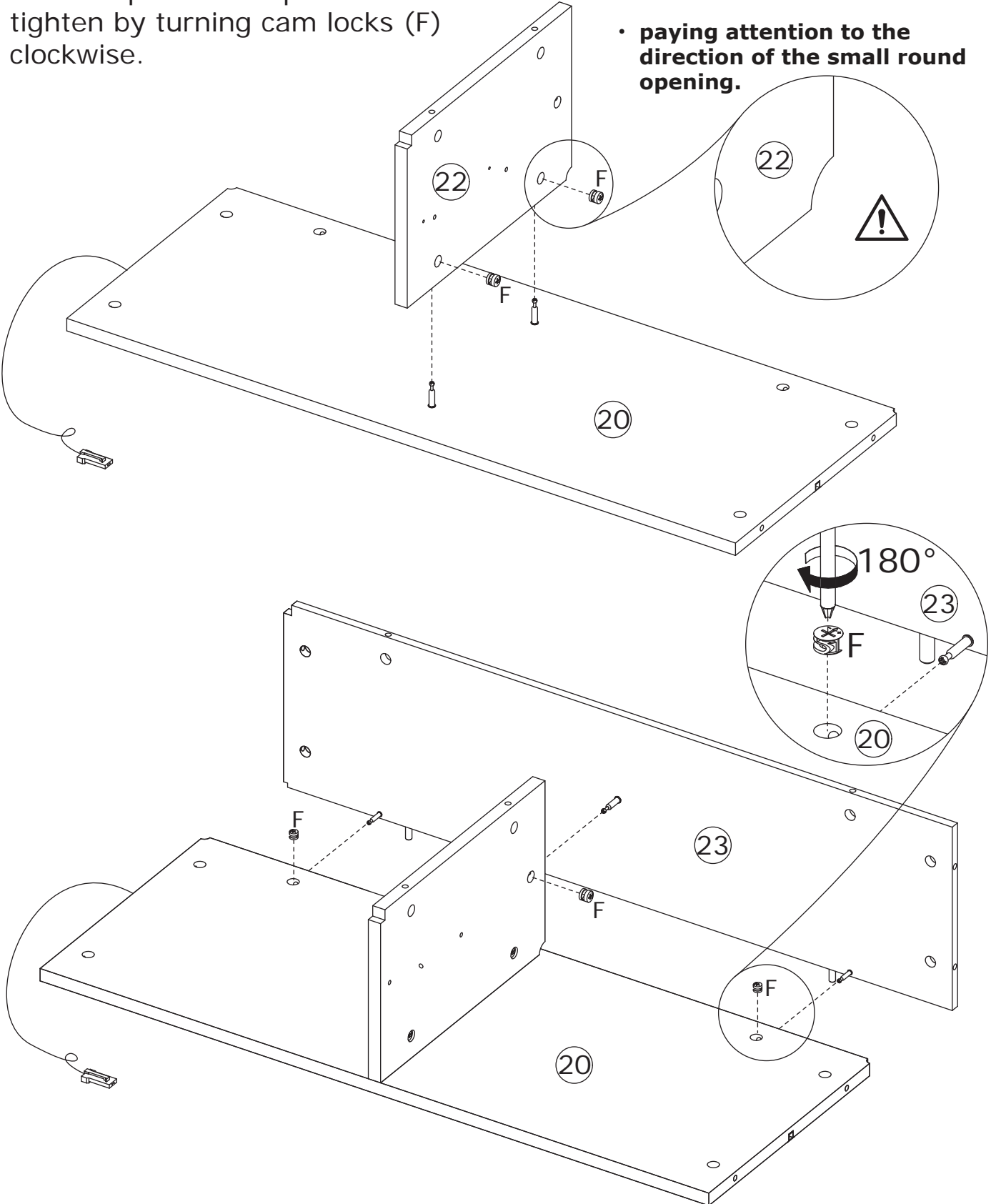


Connect plate 20 to plate 22, tighten by turning cam locks (F) clockwise.

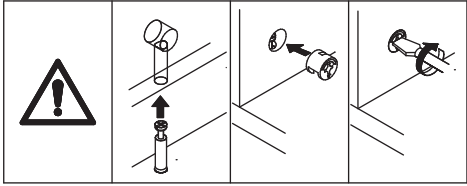
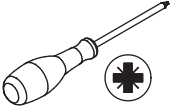
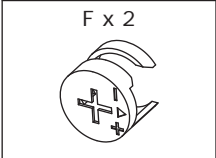
Connect plate 23 to plates 20 and 22 tighten by turning cam locks (F) clockwise.



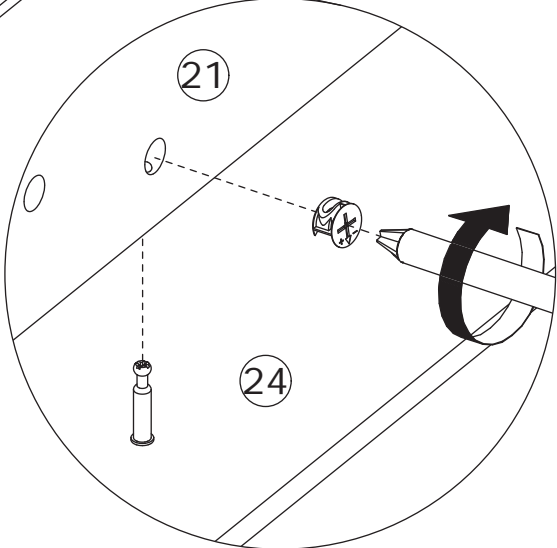
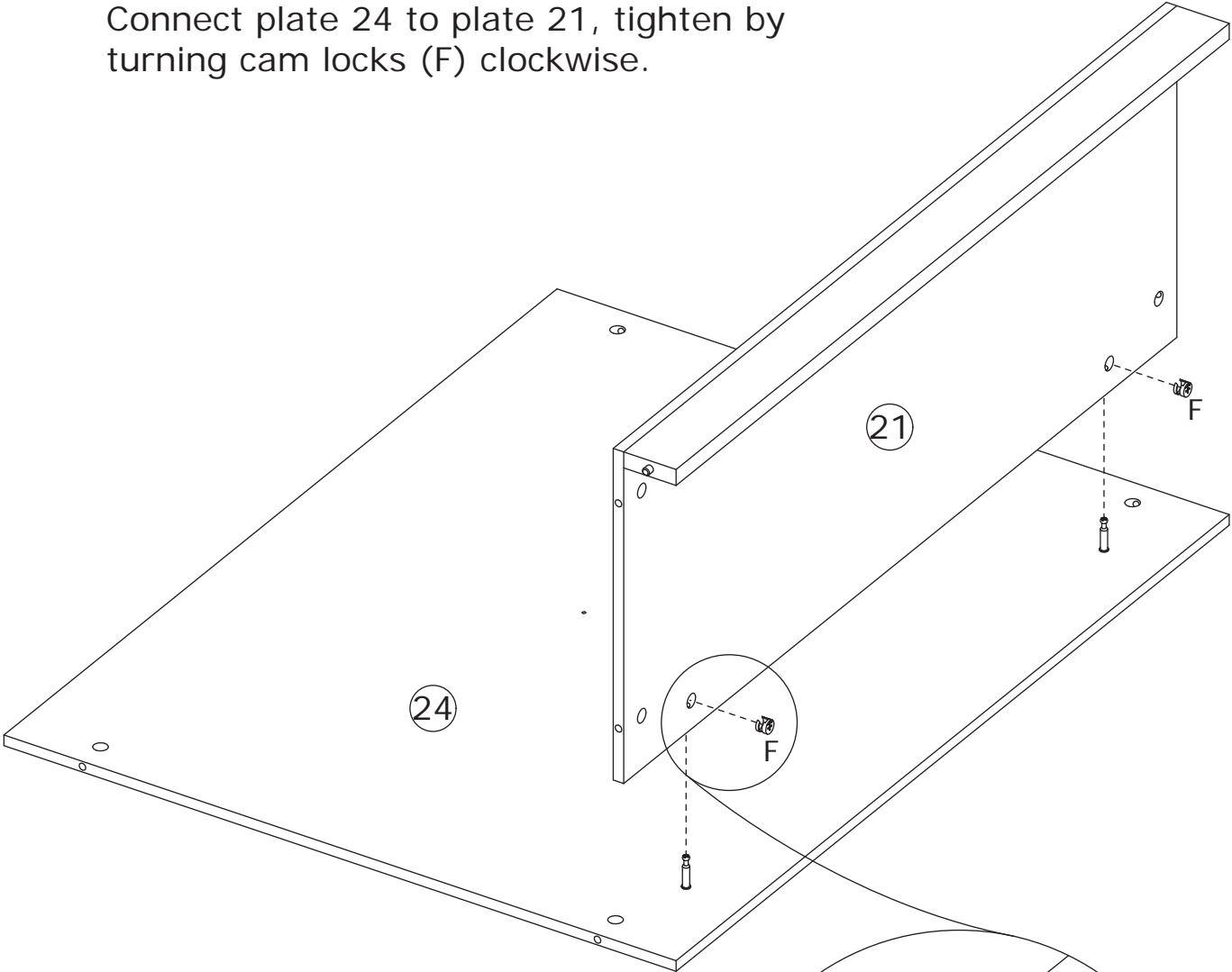
• paying attention to the direction of the small round opening.



23



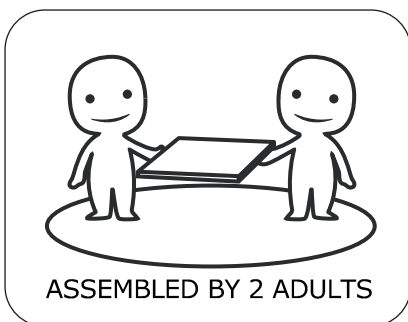
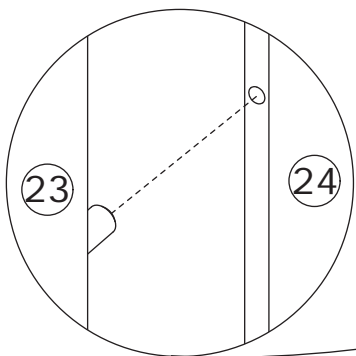
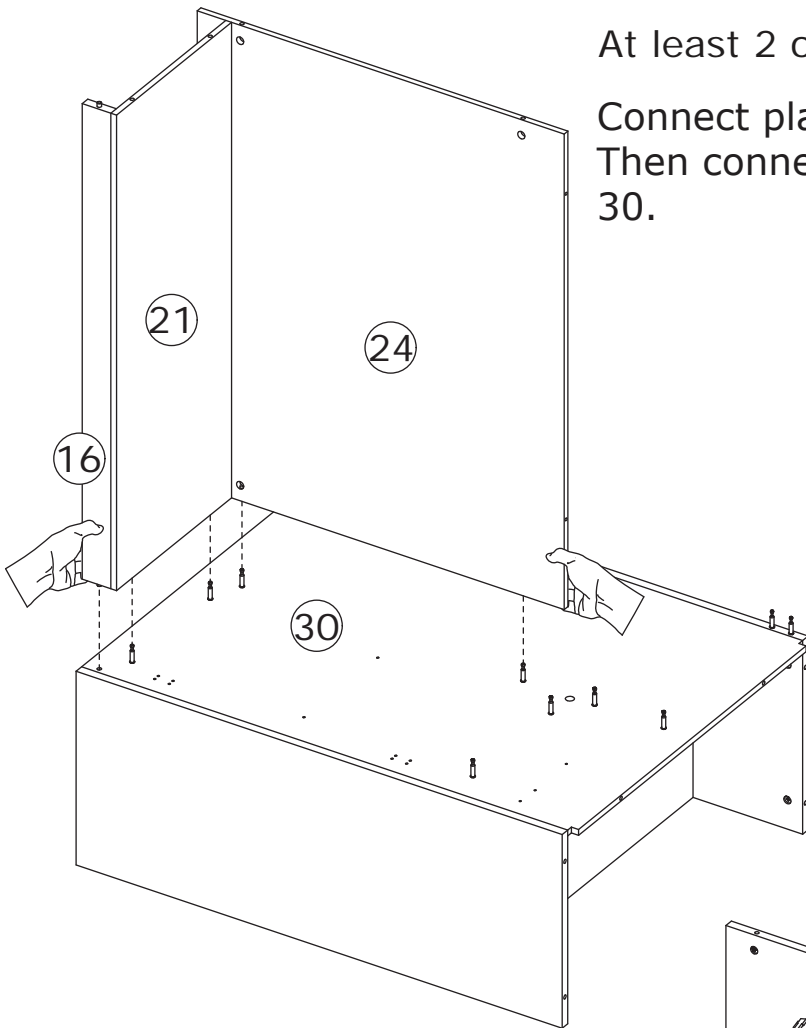
Connect plate 24 to plate 21, tighten by turning cam locks (F) clockwise.



24

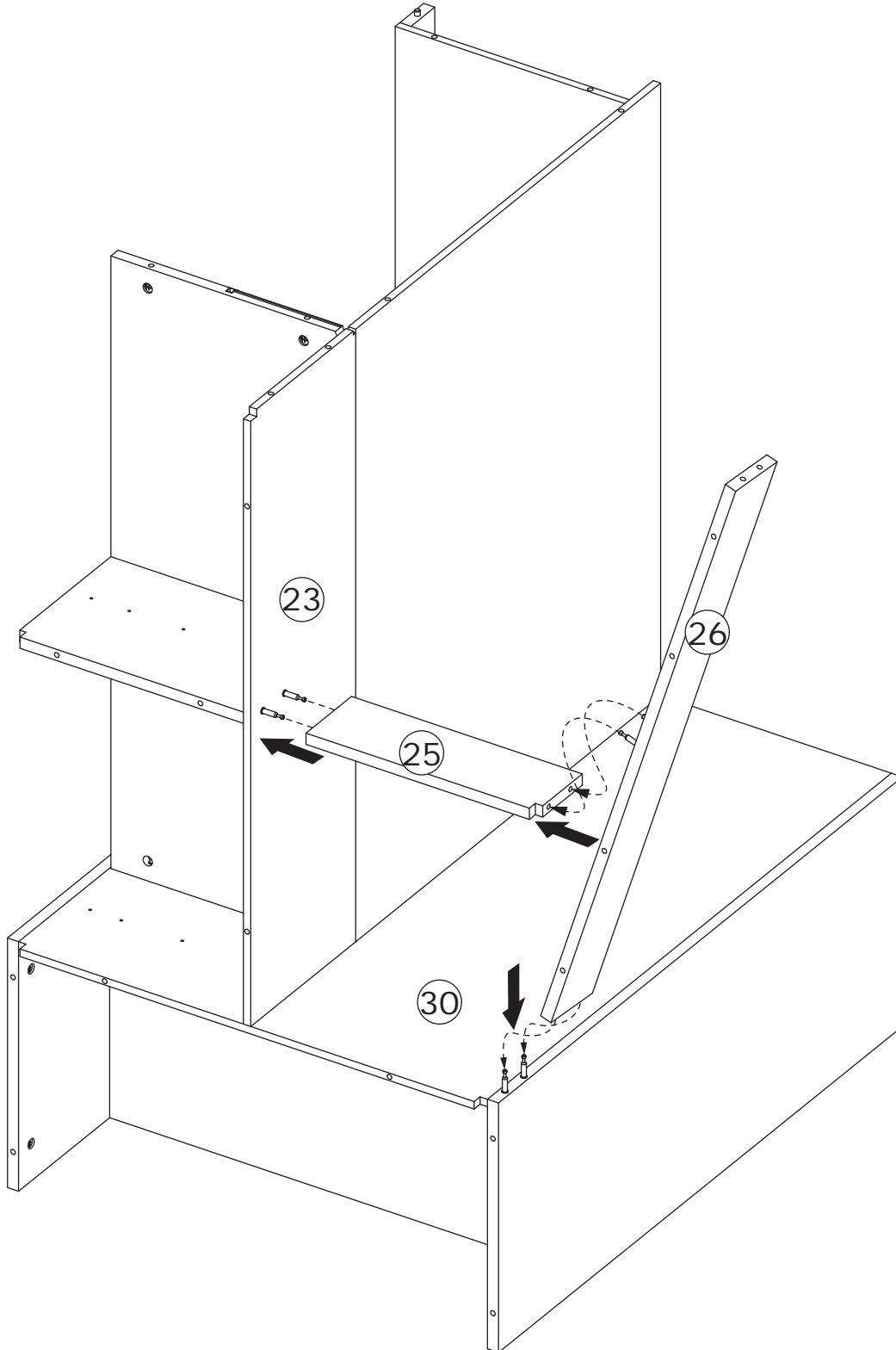
At least 2 or more adults are required.

Connect plates 16, 21, and 24 to plate 30.
Then connect plates 20 and 23 to plate 30.

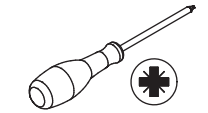


25

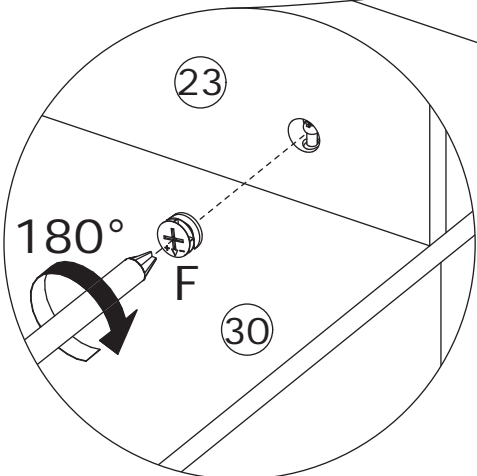
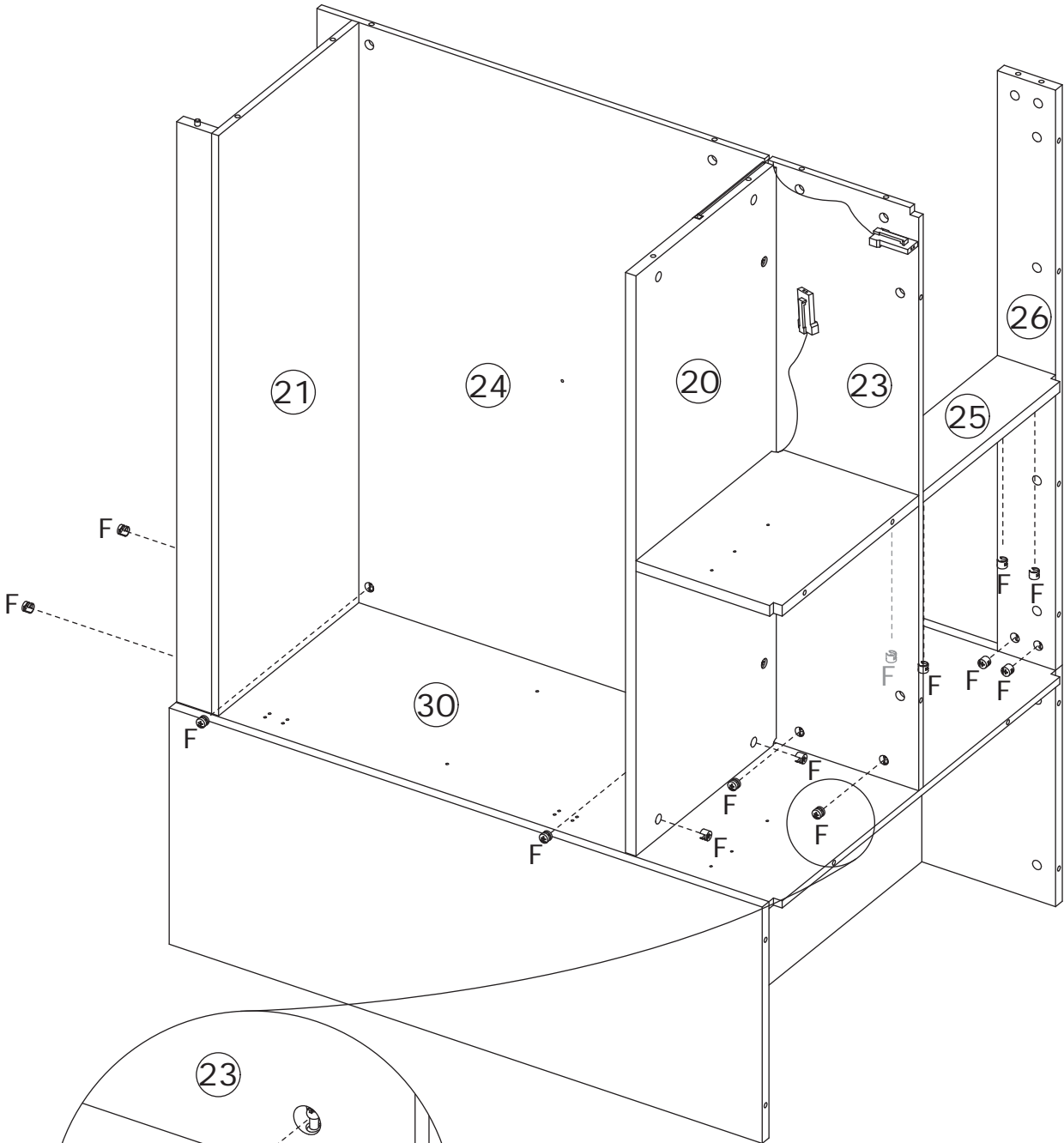
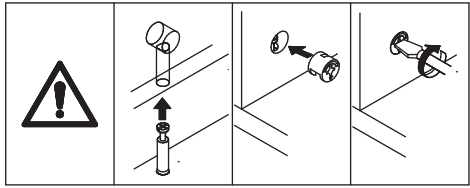
Connect plates 25 and 26 to plates 23 and 30 as shown.



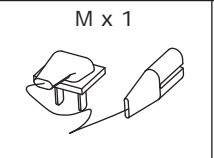
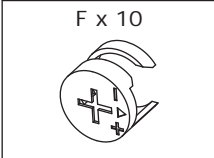
26



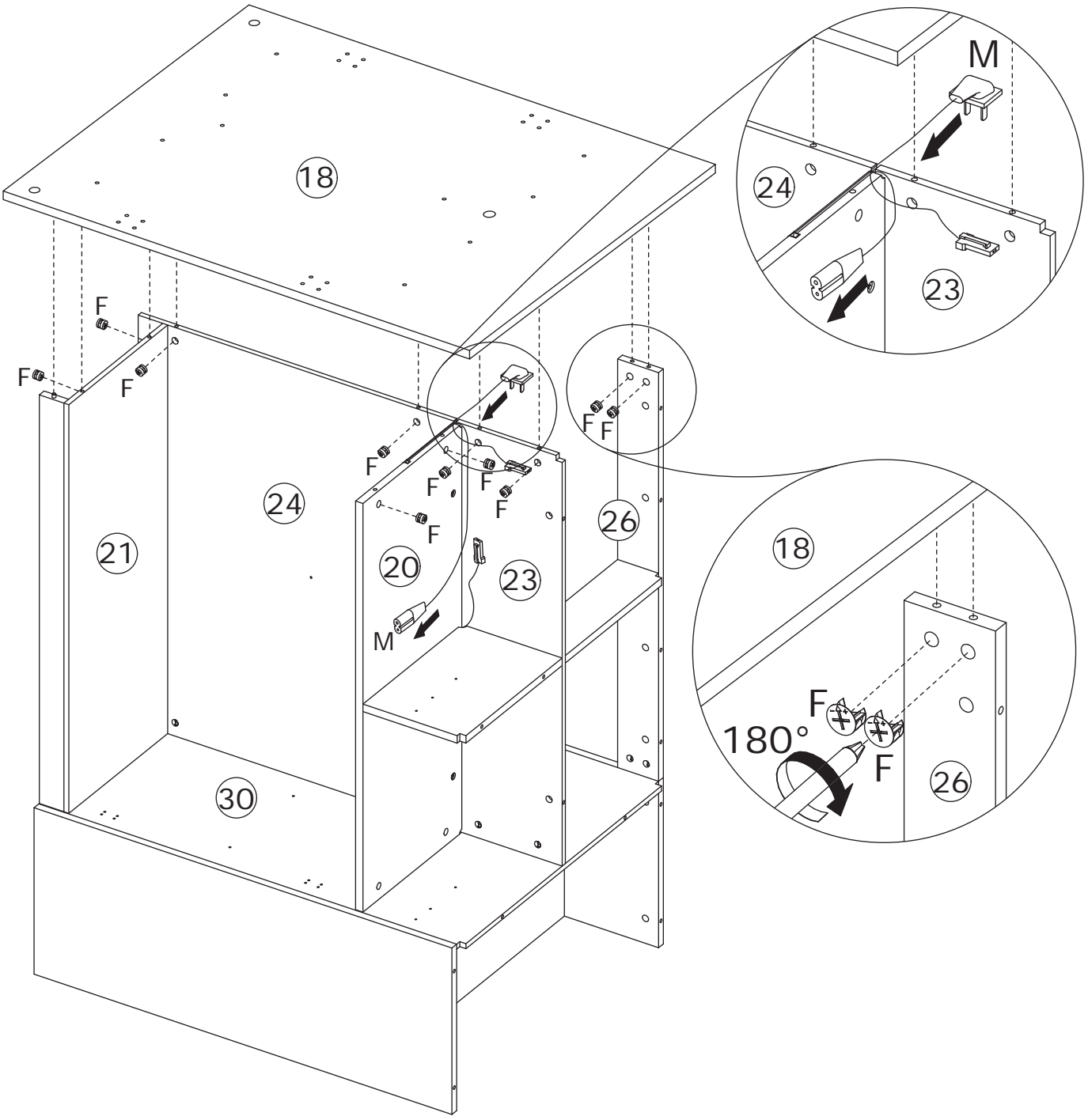
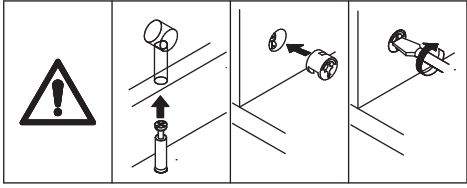
Insert cam locks (F) to plates 21, 24, 20, 23, 25, and 26, and tighten them clockwise.



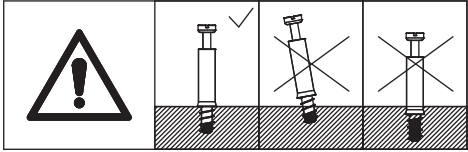
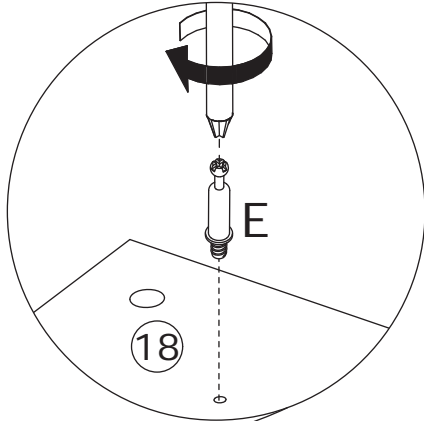
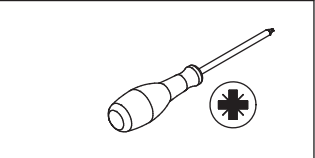
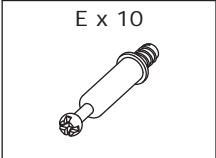
27



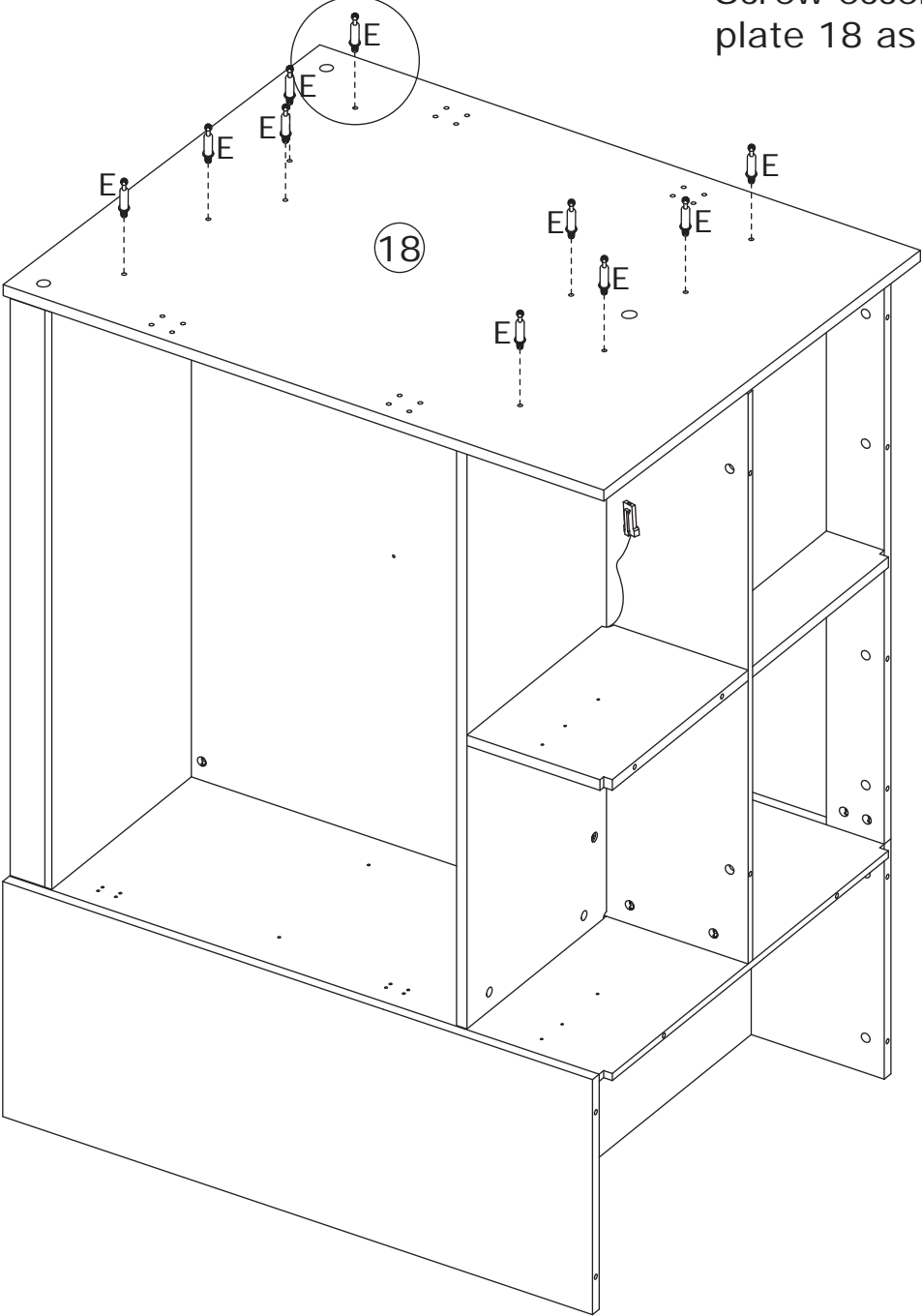
Connect plate 18 to plates 21, 24, 20, 23, and 26, tighten by turning cam locks (F) clockwise.



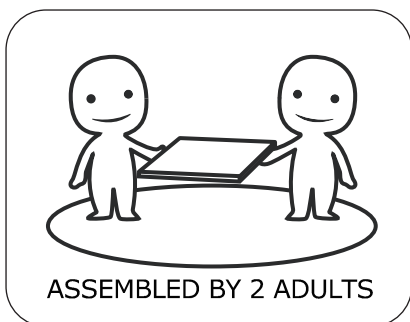
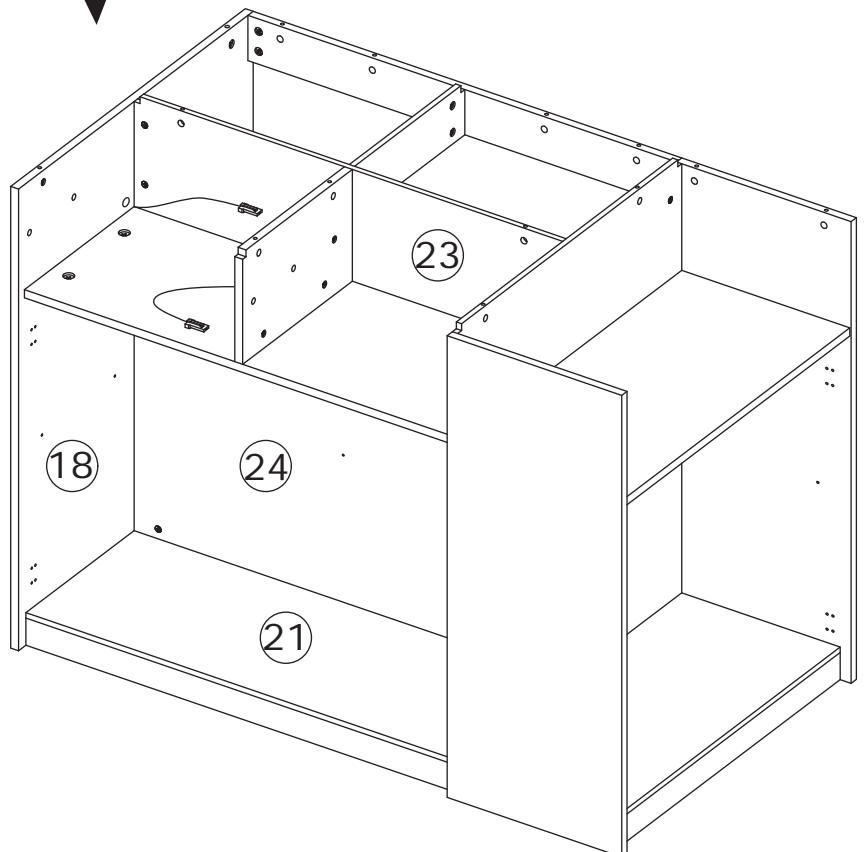
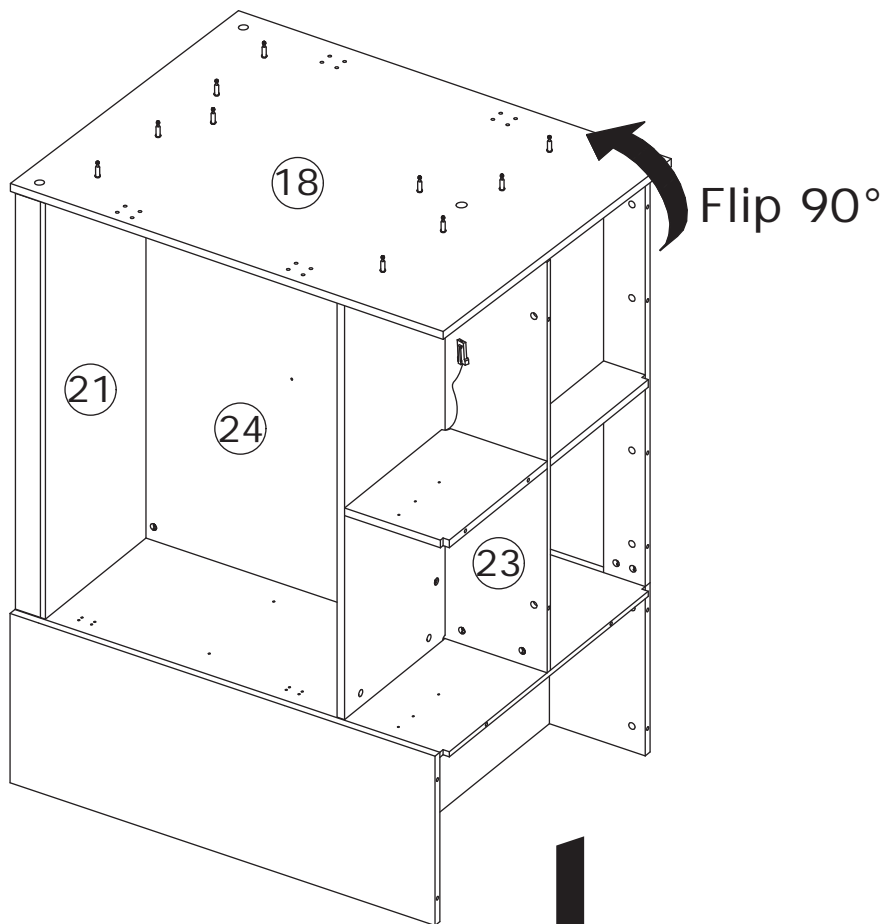
28



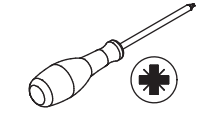
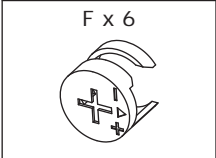
Screw eccentric rod (E) onto plate 18 as shown.



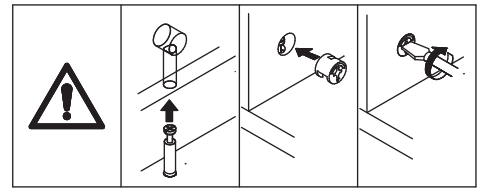
29



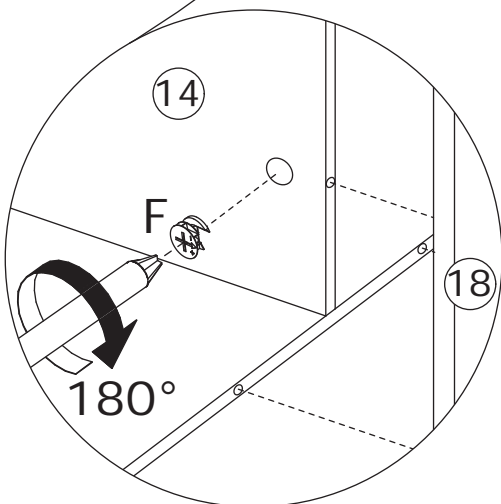
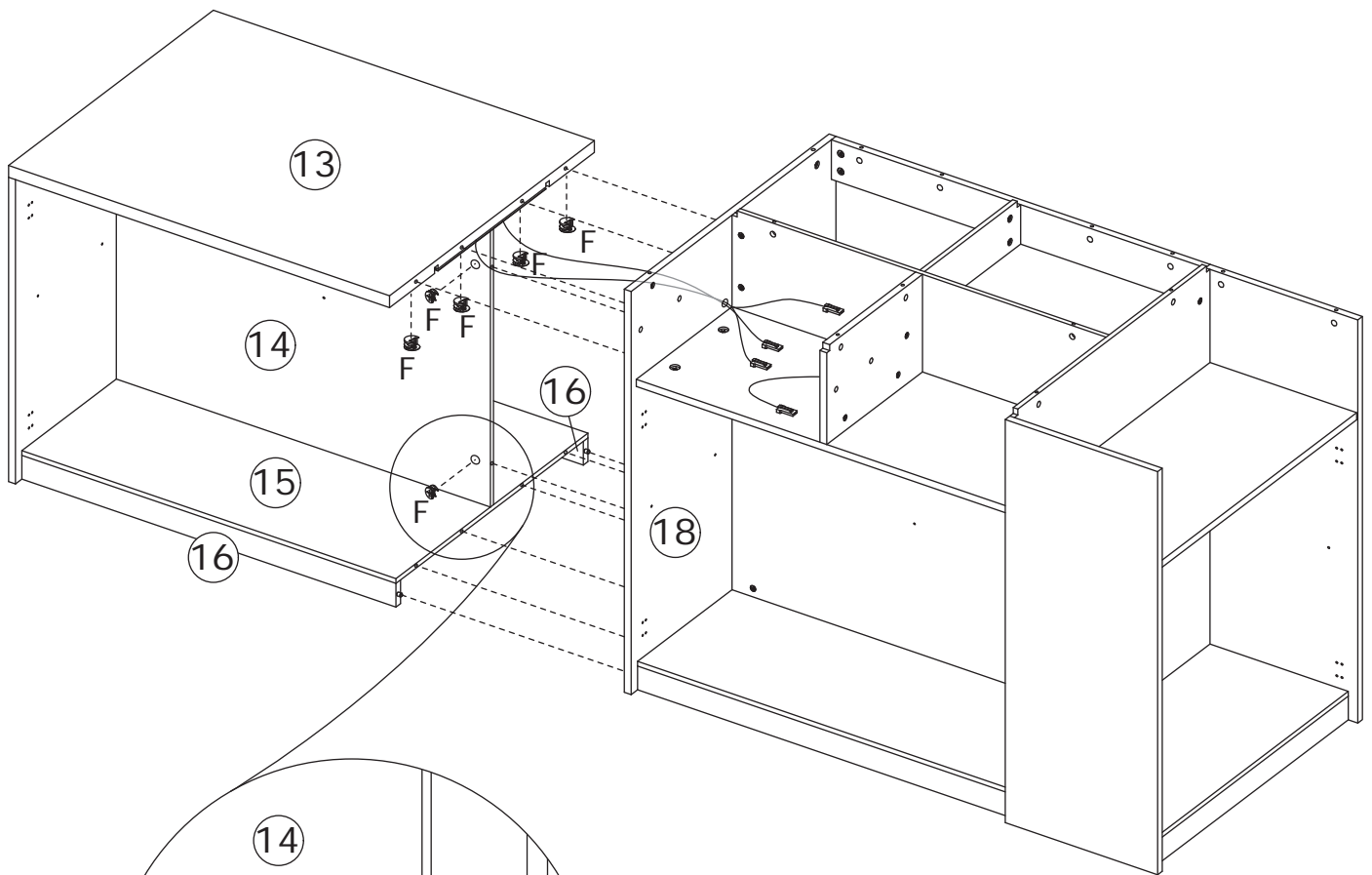
30



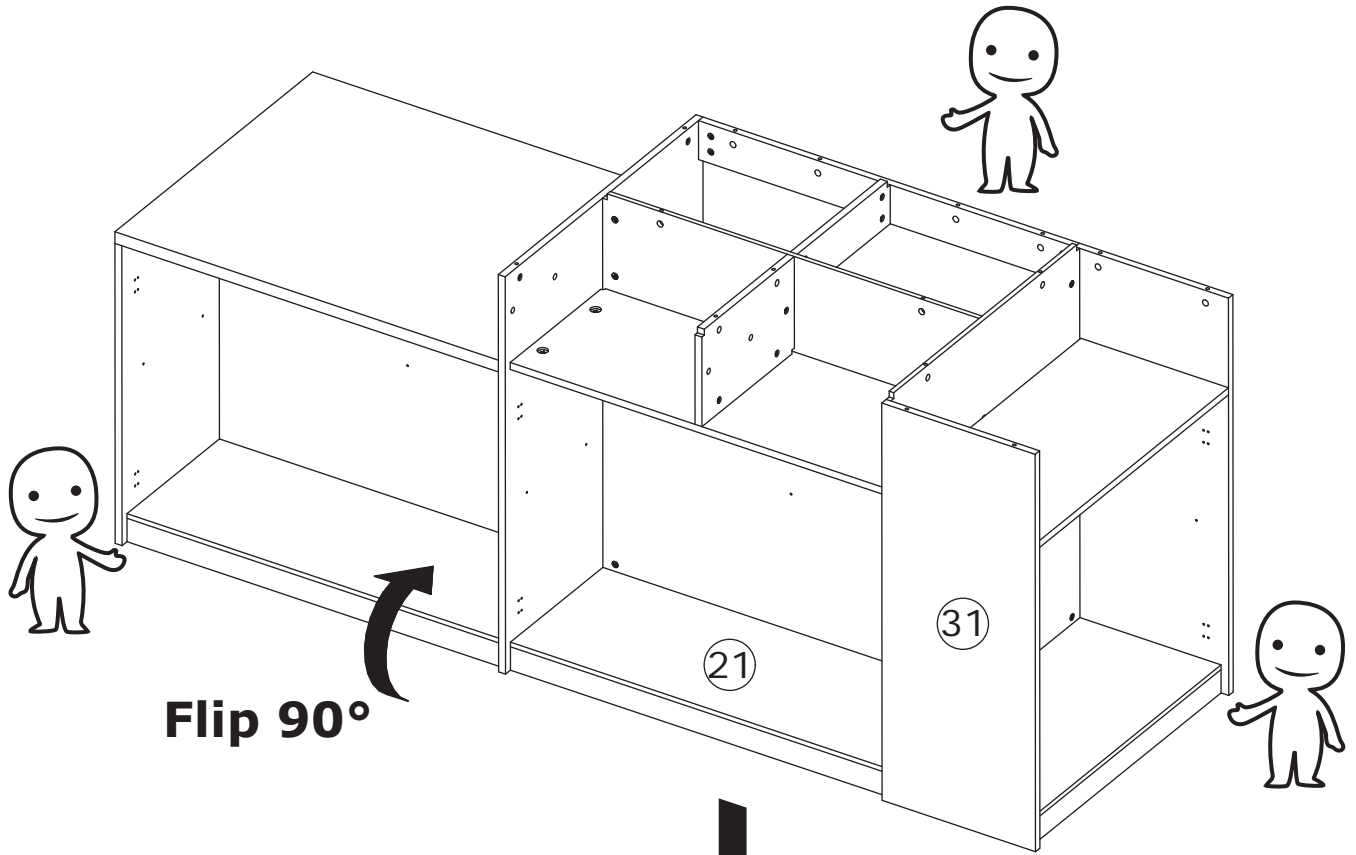
Connect the two components, tighten by turning cam locks (F) clockwise.



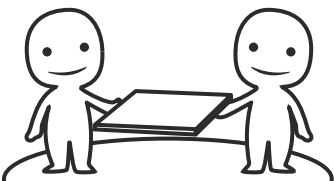
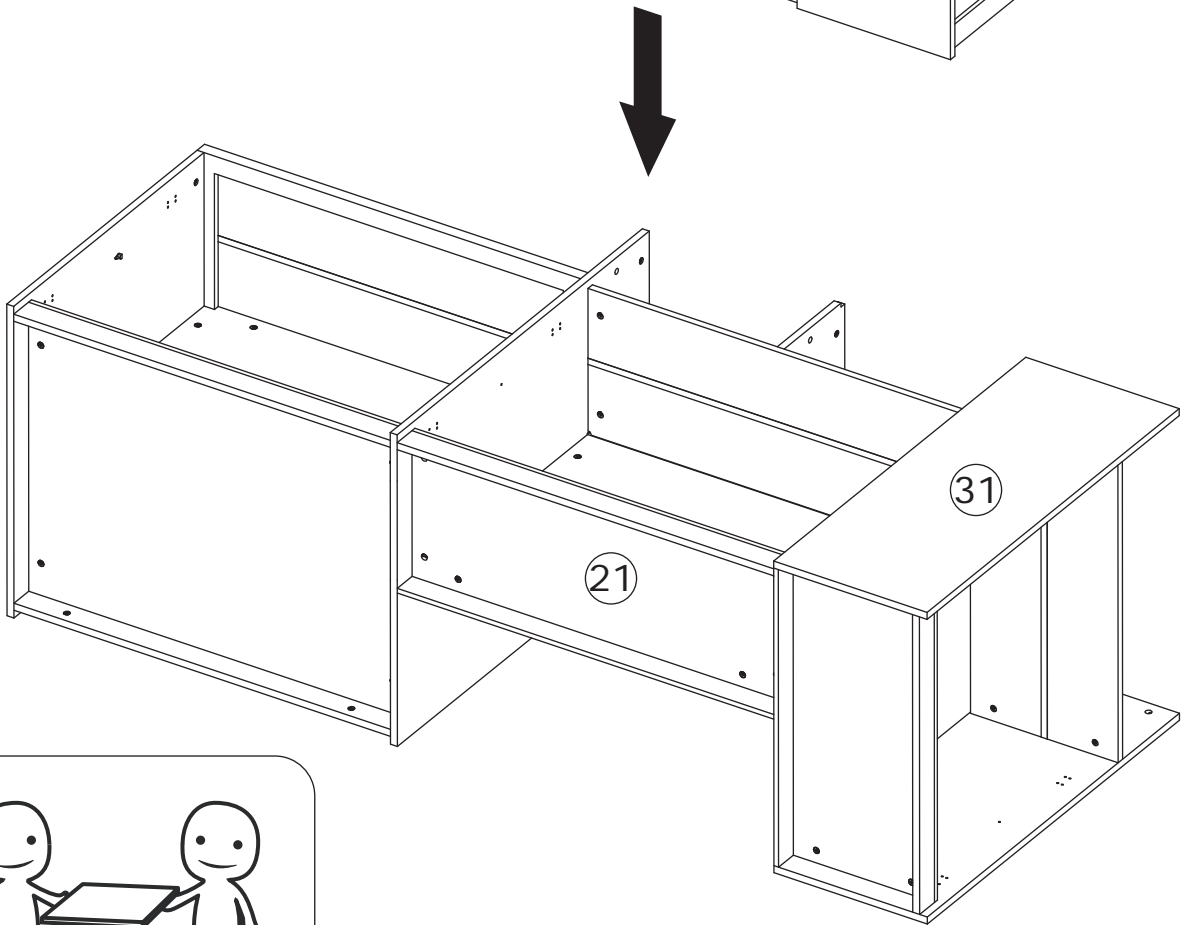
Push it in slowly.



31

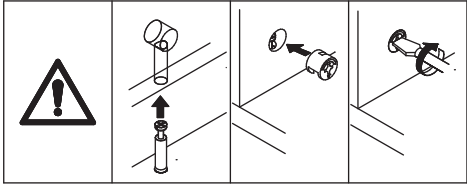
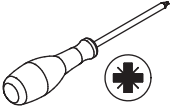


Flip 90°

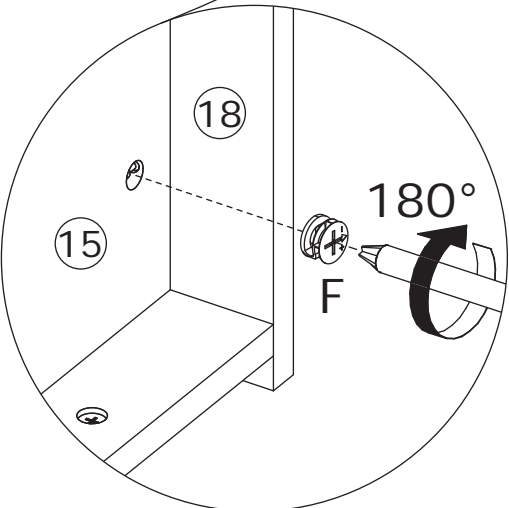
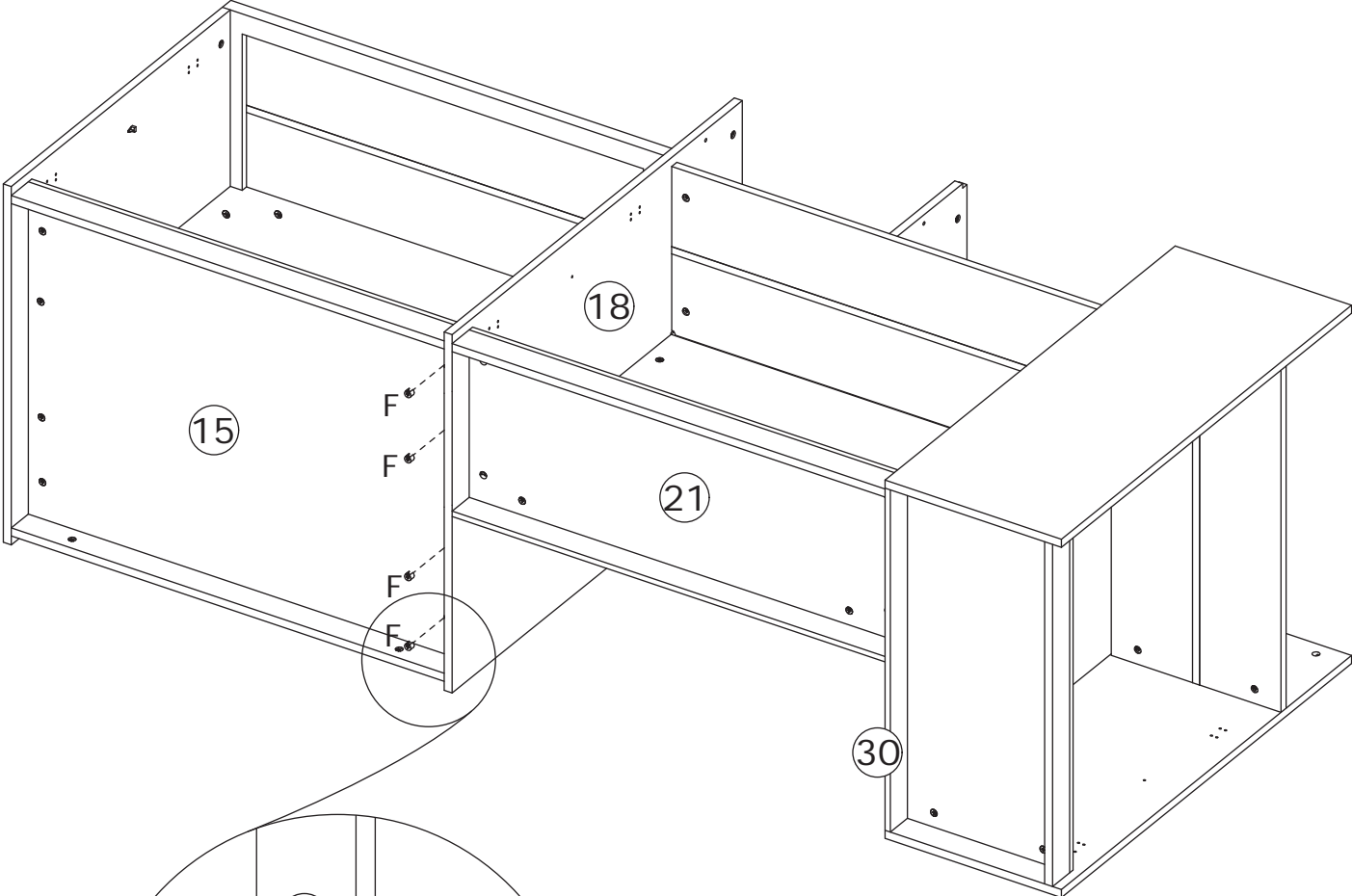


ASSEMBLED BY 3 ADULTS

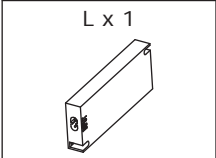
32



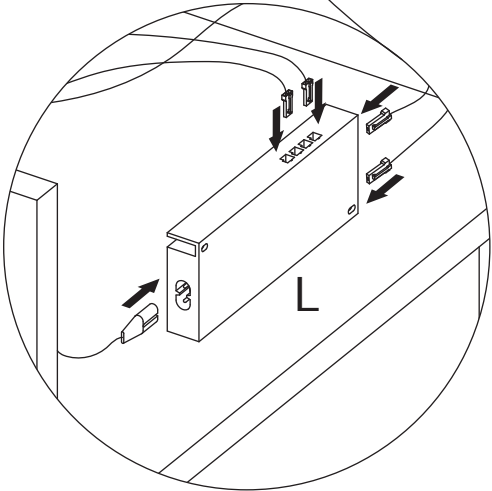
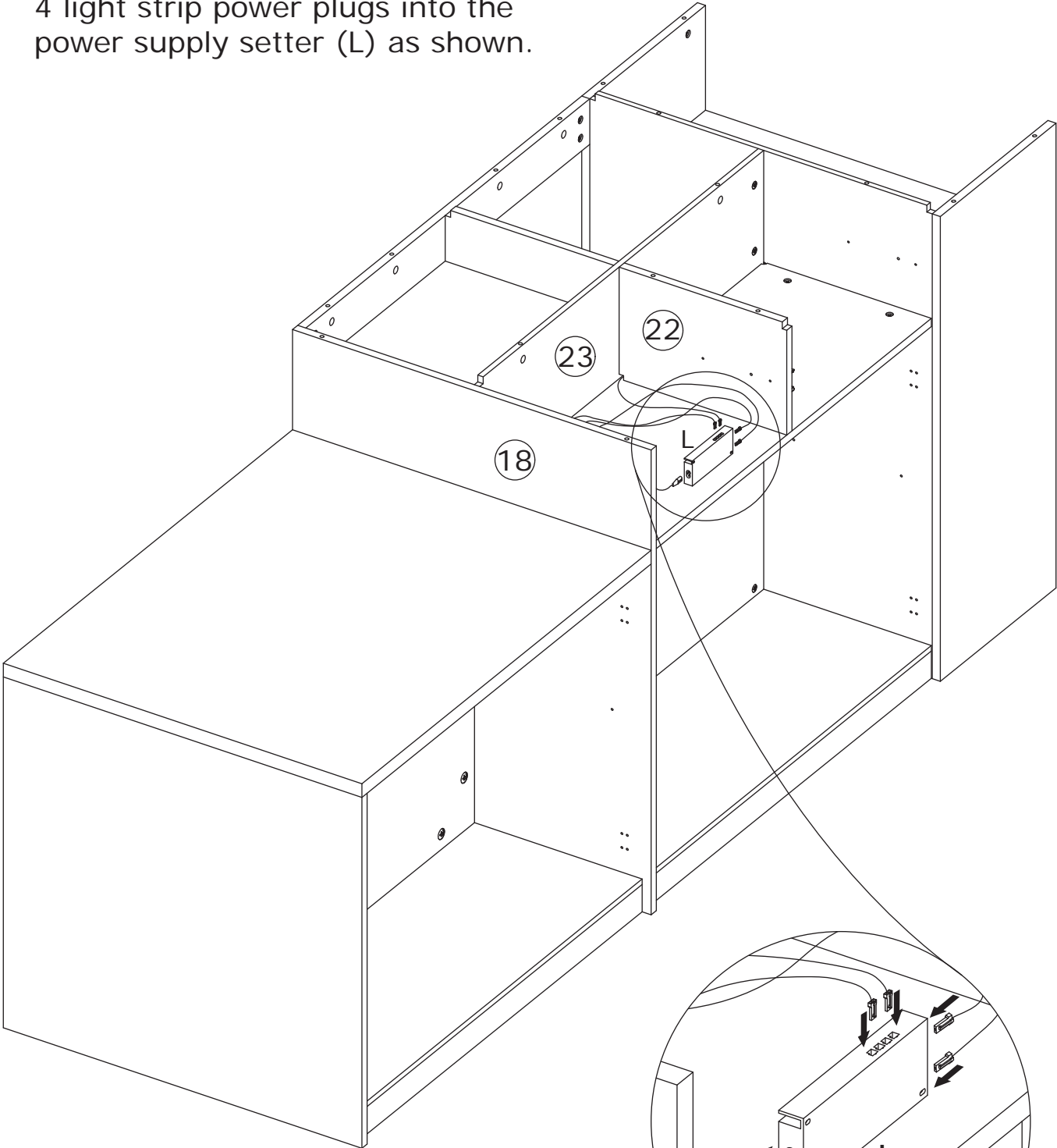
Insert cam locks (F) to plate 15, and tighten them clockwise.



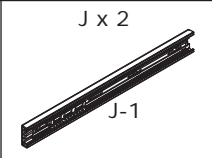
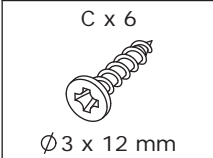
33



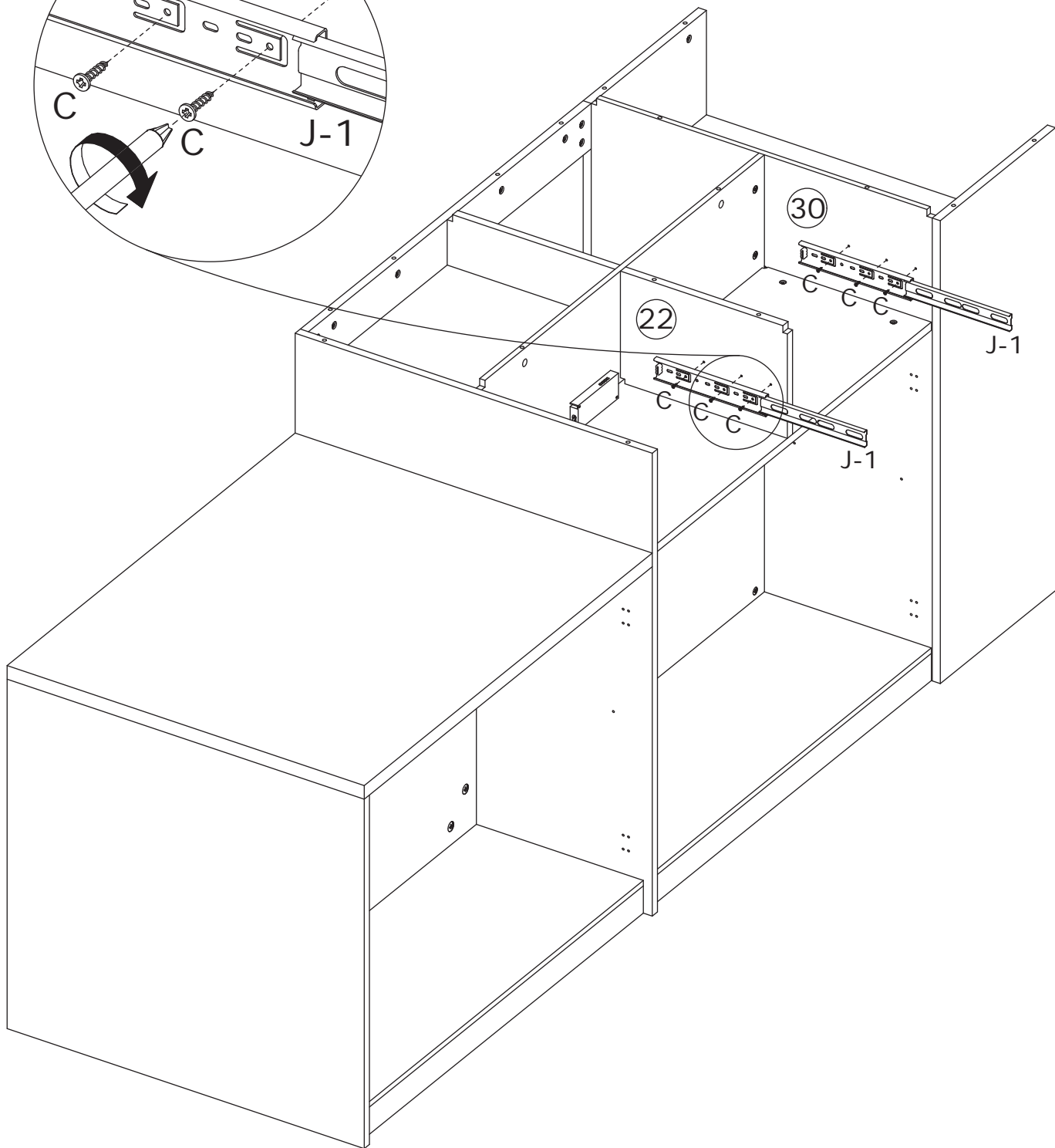
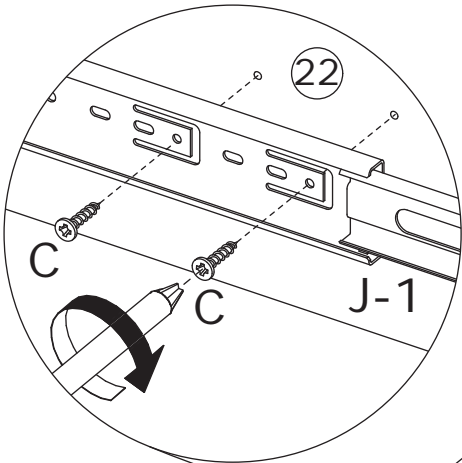
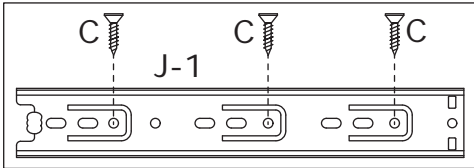
Plug the external power cord and 4 light strip power plugs into the power supply setter (L) as shown.



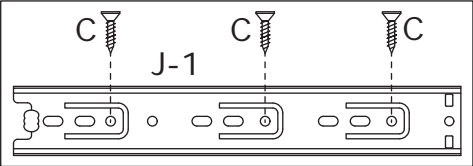
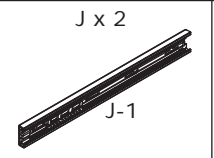
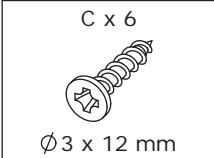
34



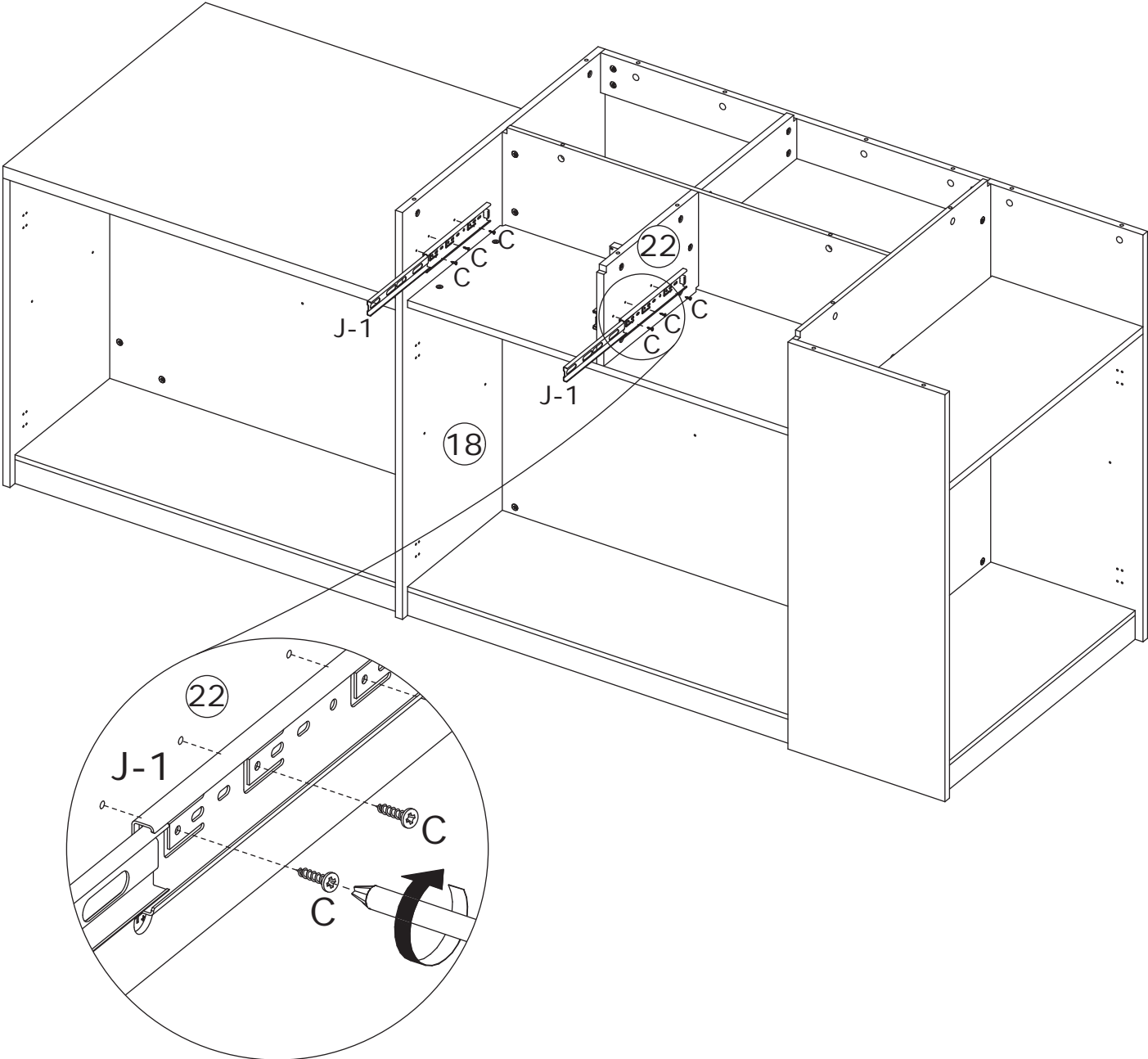
Secure slide rails (J-1) to plates 22 and 30 with screws (C) as shown.



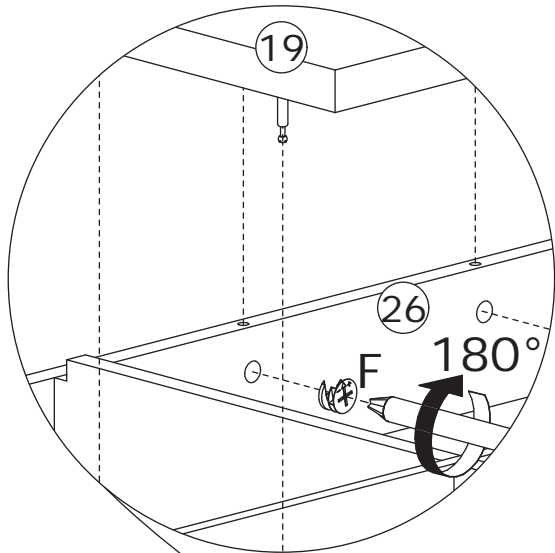
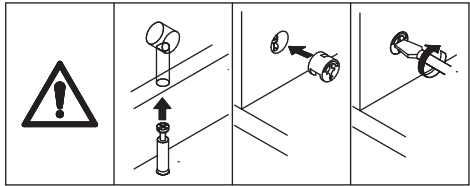
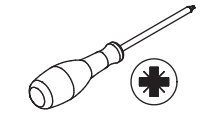
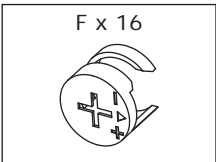
35



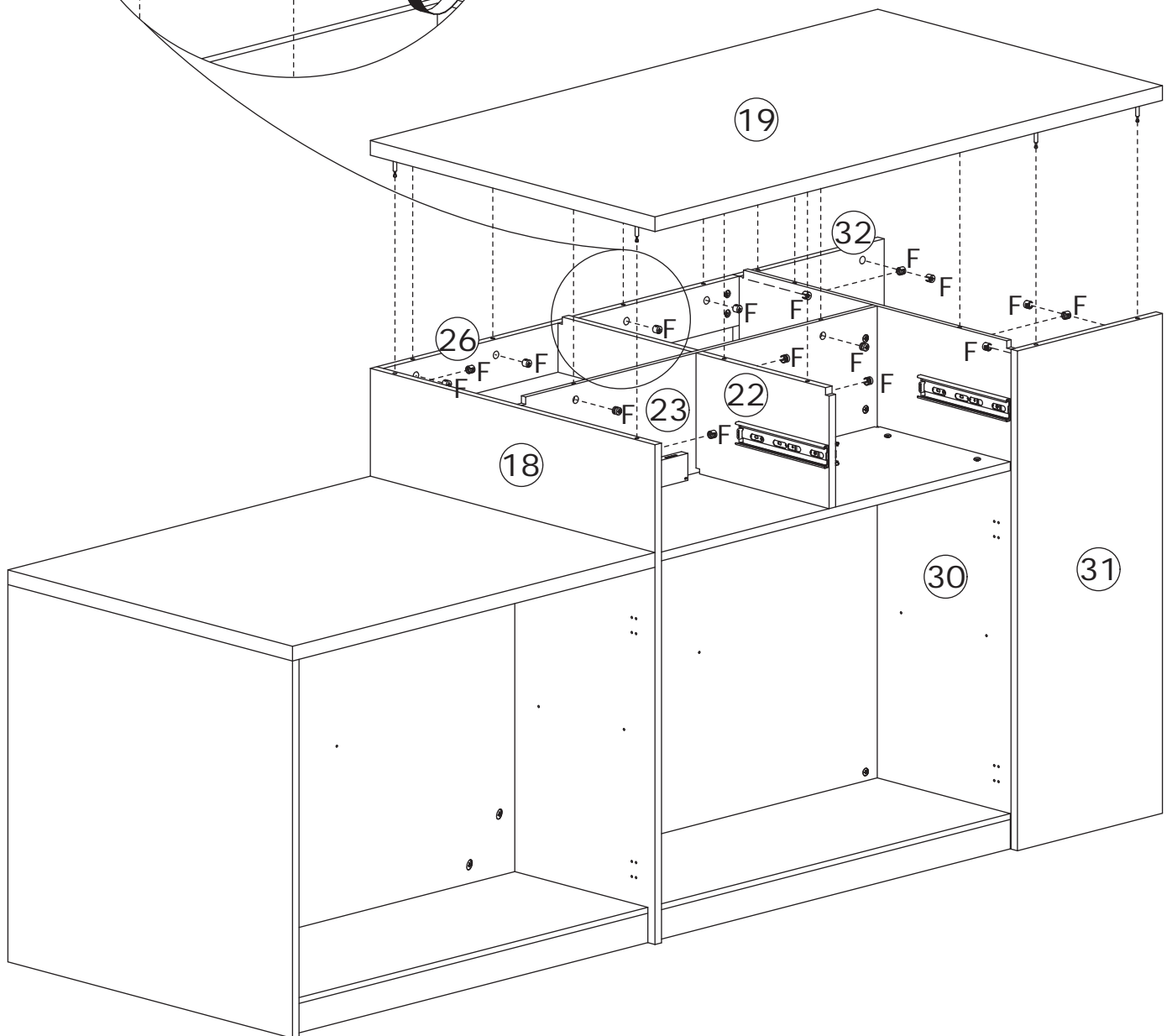
Secure slide rails (J-1) to plates 22 and 18 with screws (C) as shown.



36



Connect plate 19 to plates 18, 22, 30, 26, 31, and 32, tighten by turning cam locks (F) clockwise.

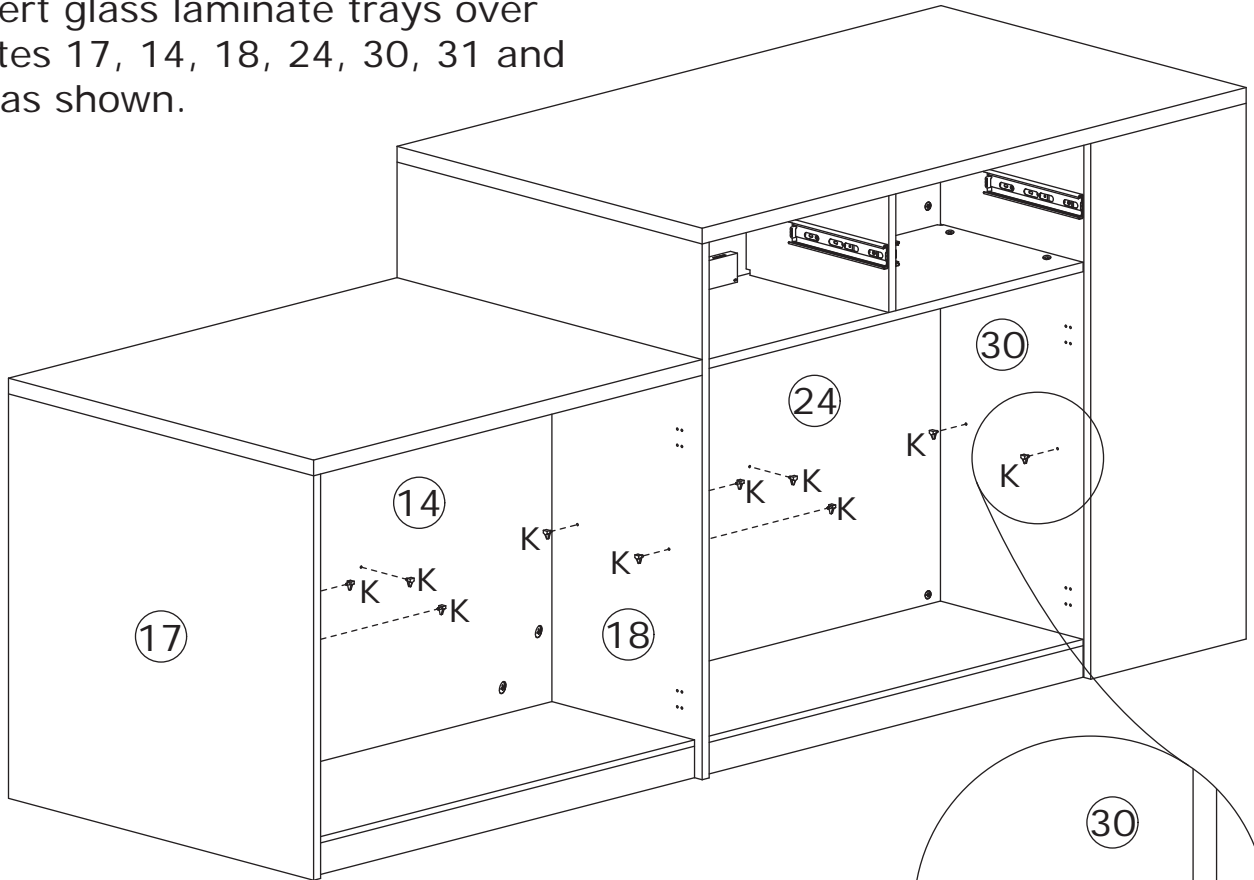


37

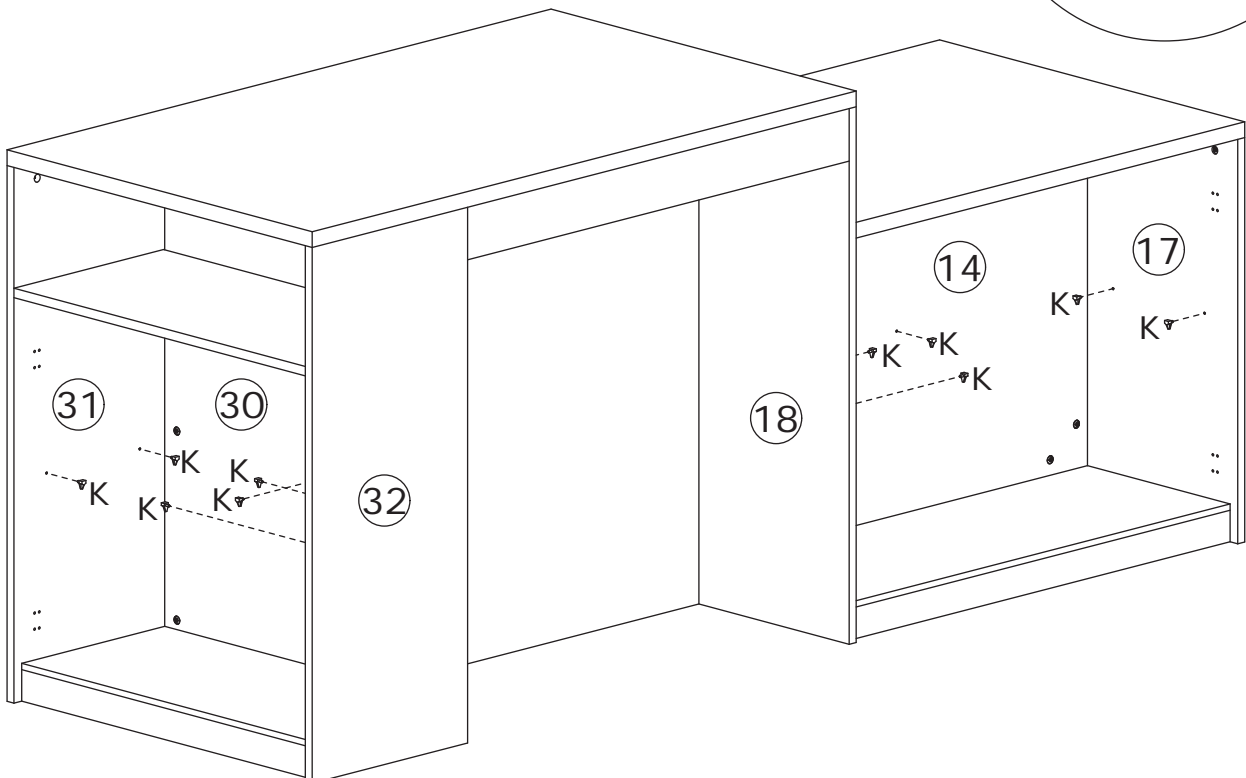
K x 20



Insert glass laminate trays over plates 17, 14, 18, 24, 30, 31 and 32 as shown.

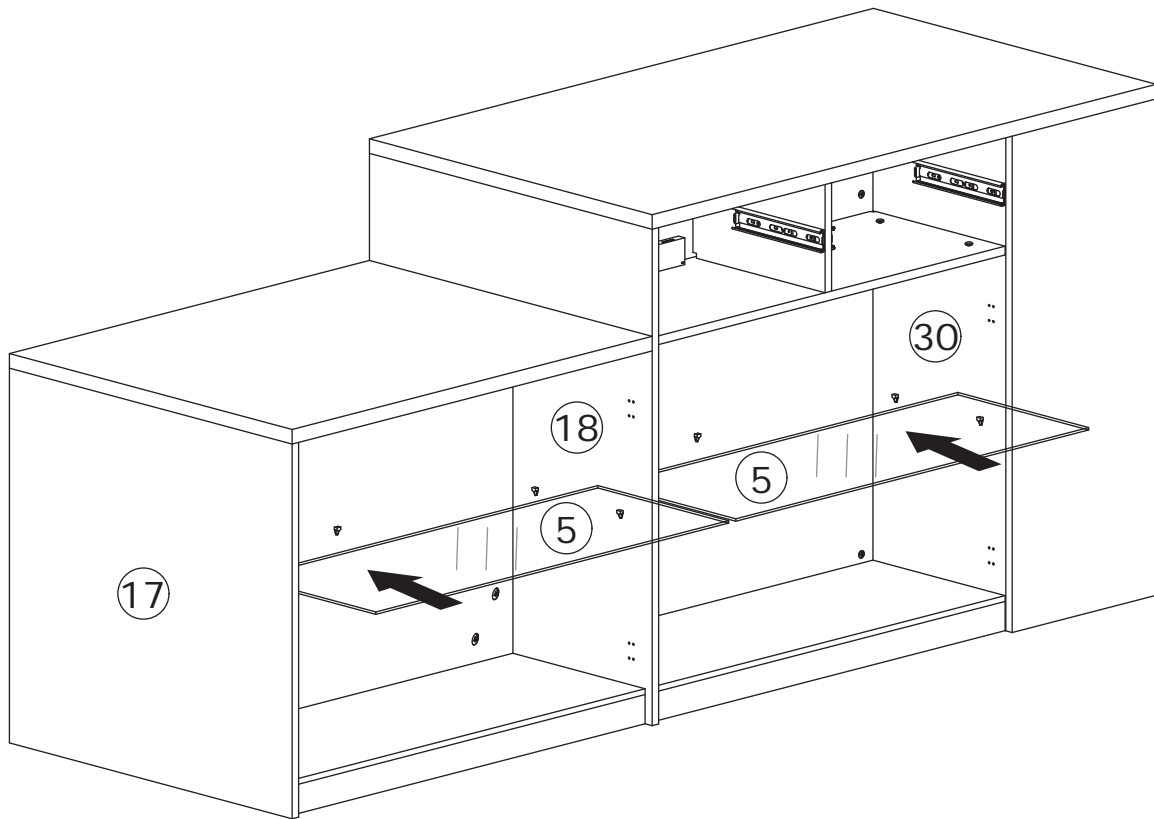


Flip 180°

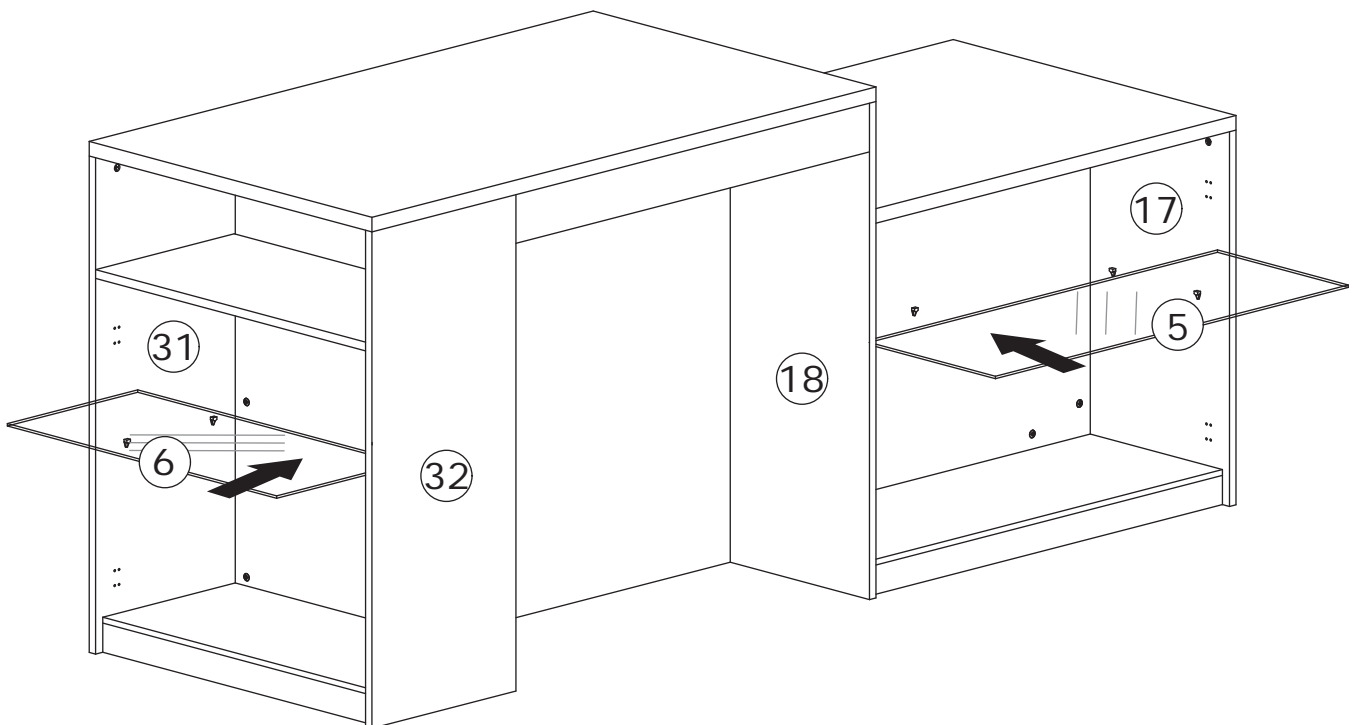


38

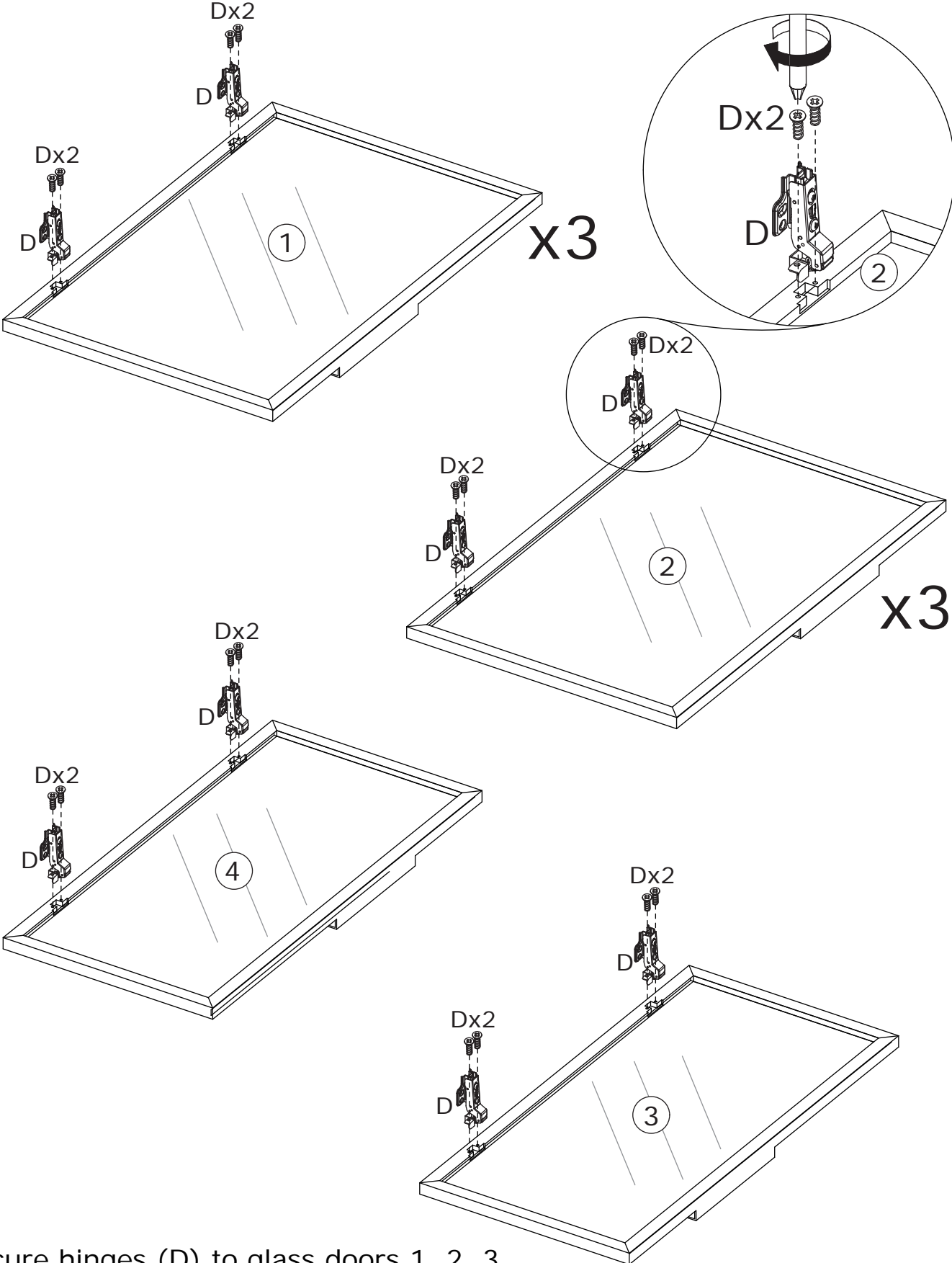
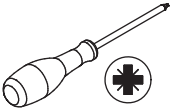
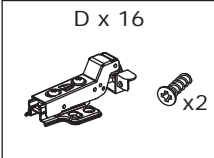
Place glass laminates 5 and 6 onto the glass laminate trays as shown.



Flip 180°



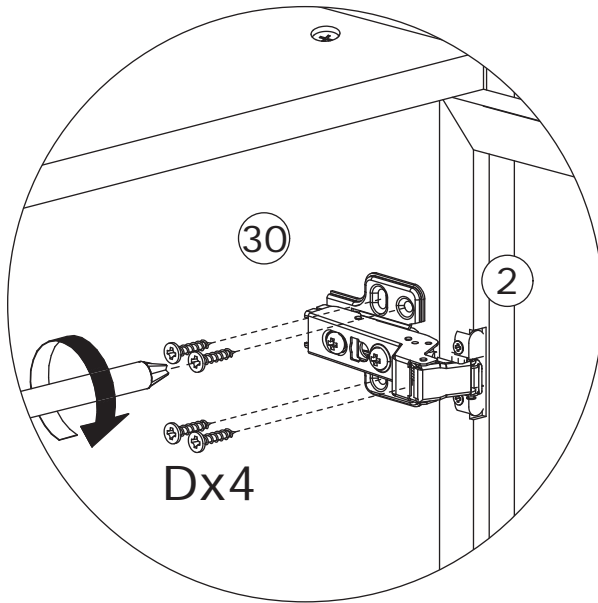
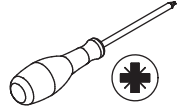
39



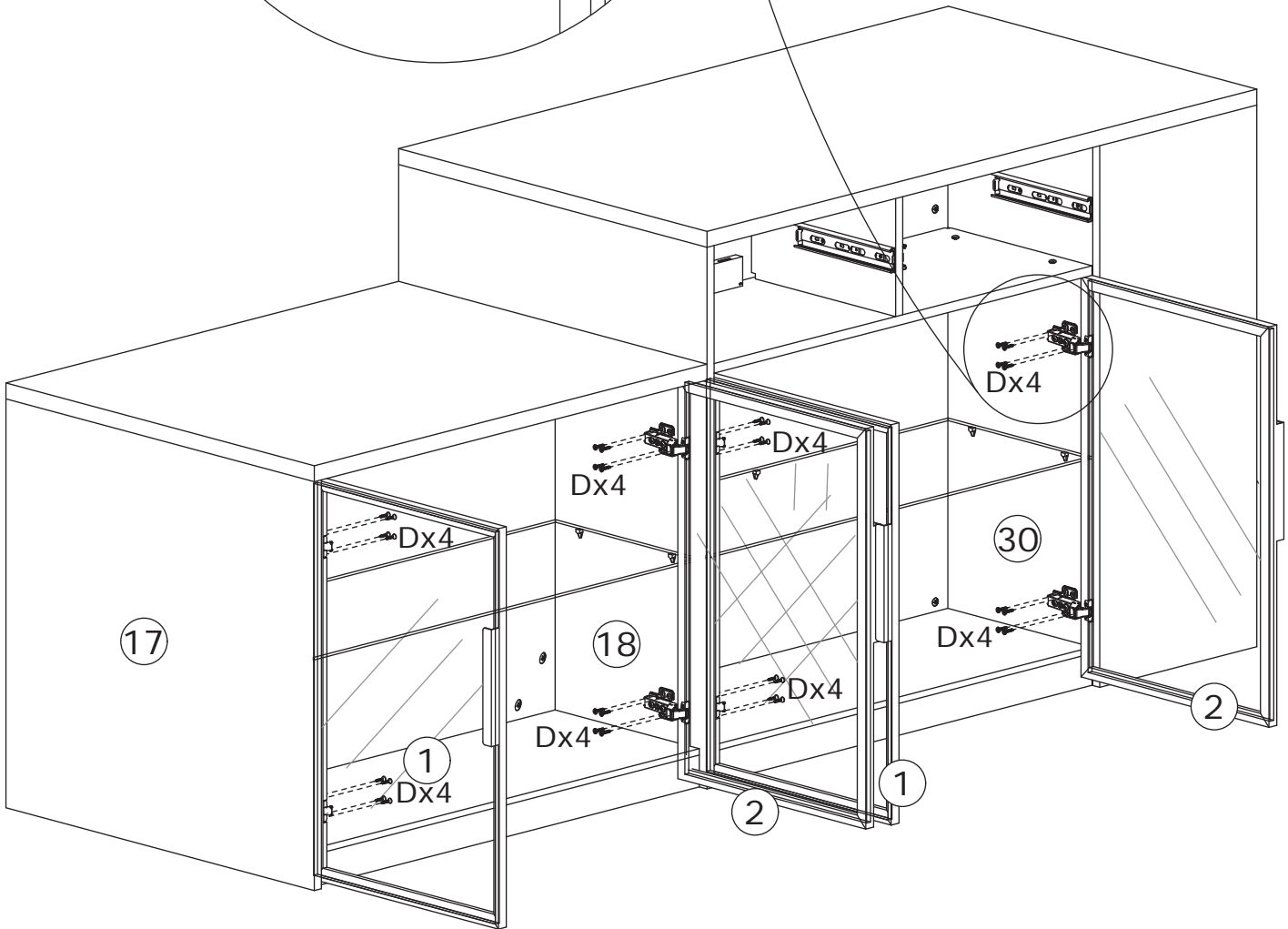
Secure hinges (D) to glass doors 1, 2, 3 and 4 with the supplied flat head screws as shown.

40

D x 8

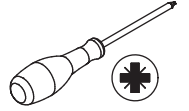


Connect glass doors 1 and 2 to plates 17, 18, and 30 with the supplied flat head screws as shown.

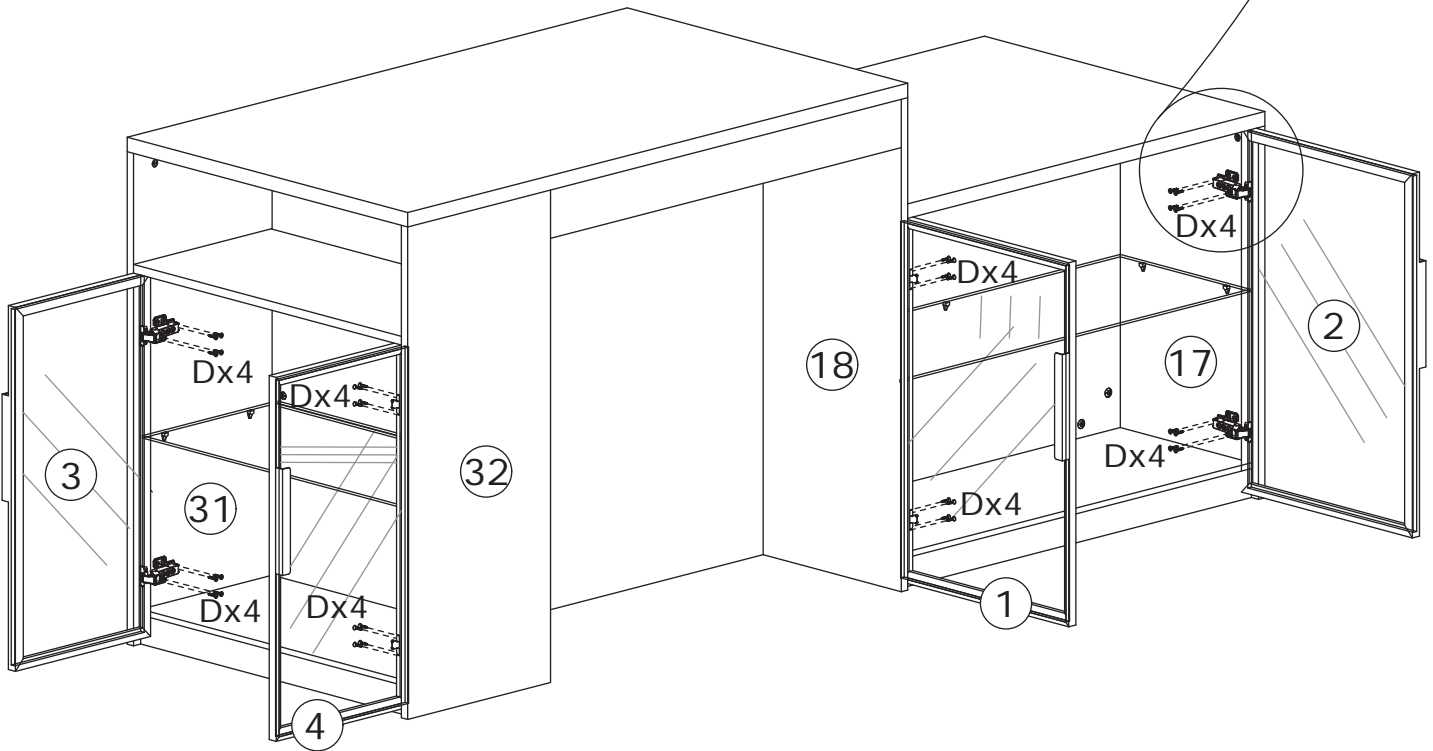
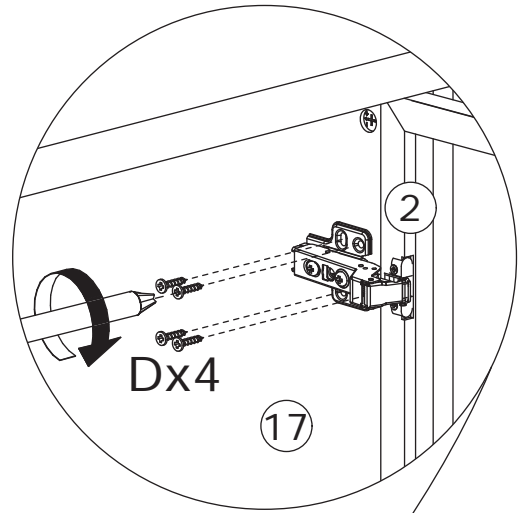


41

D x 8

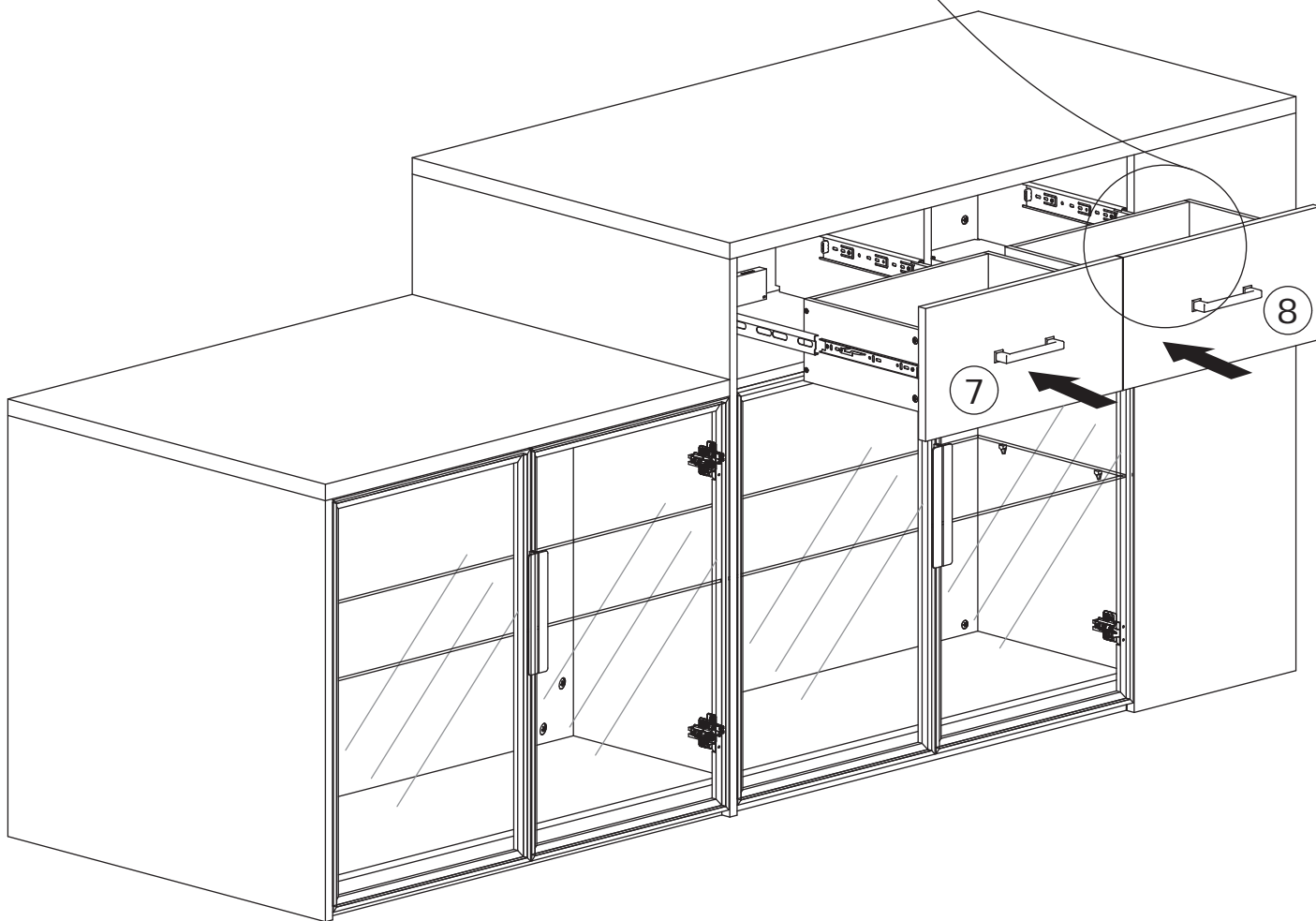
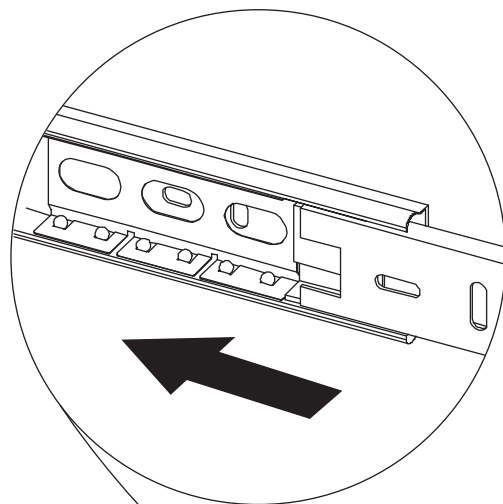


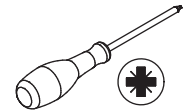
Connect glass doors 1, 2, 3, and 4 to plates 18, 17, 31, and 32 with the supplied flat head screws as shown.



42

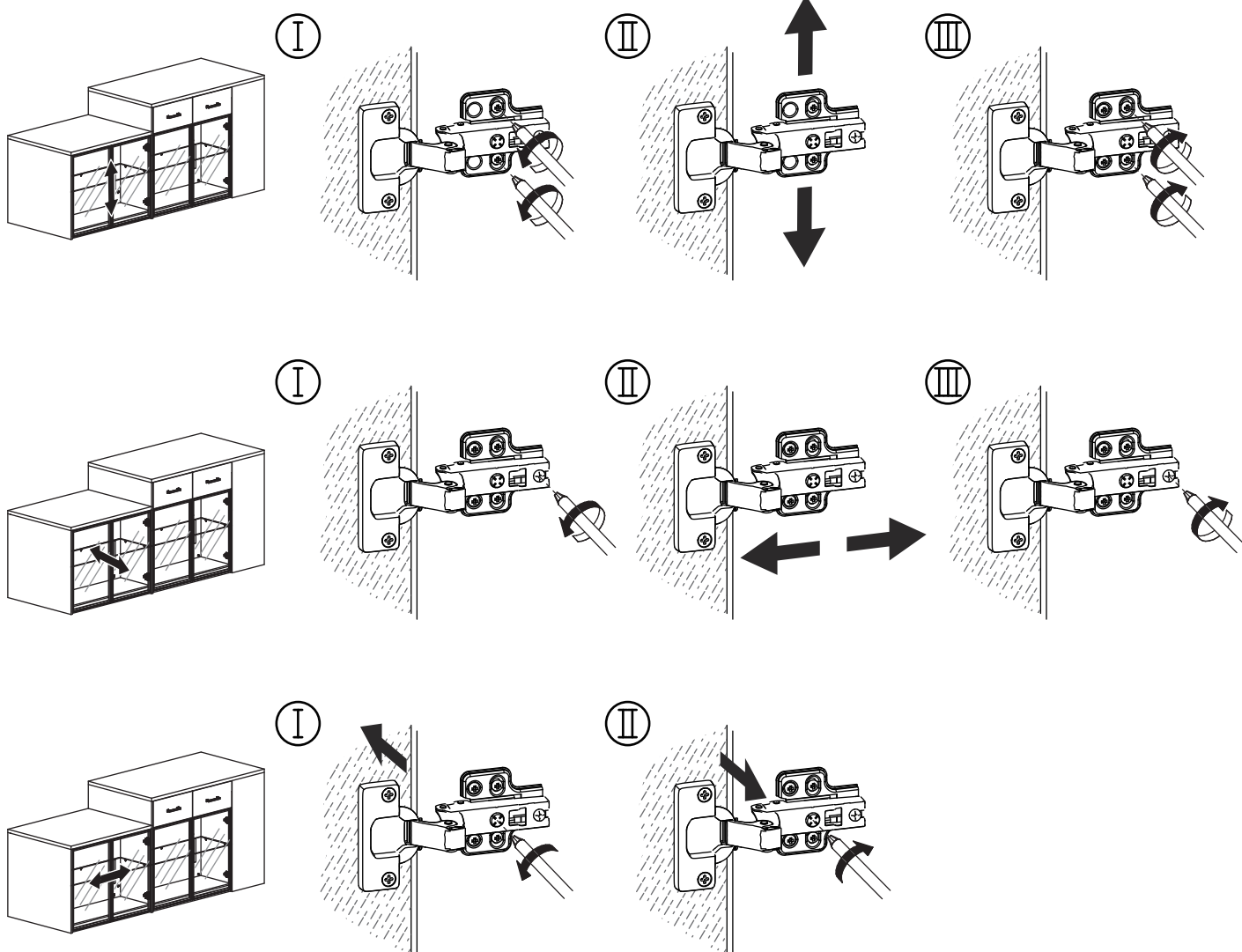
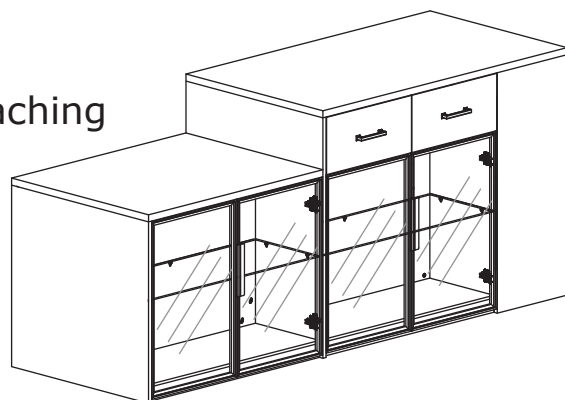
Slide the two drawers into the cabinet by aligning the slides as shown.





If the door panels are not aligned, please adjust the screws on the hinges according to the illustration.

Or you can search this link to view the teaching video.
<https://youtu.be/n0Lb36SoODM>



WARRANTY

WARRANTY CLAIMS

- There is a 30-day warranty for broken furniture or any other problems that do not work properly. The warranty will start from the date of purchase which must be verified by proof of purchase.
- Before making a claim, we may be able to answer your query, simply call us. Please leave your purchase order number, along with some details of the problem, if you want a replacement part. We will arrange within 48 hours. If there is out of stock, we will reply with a shipping date.
- The product must be used in accordance with the instructions provided. For health reasons.
- For other reasons, if the furniture needs to be returned, it must be cleaned and dried and operated within 30 days of receipt.

Type of Warranty Claim

- Failure to follow the furniture instructions will invalidate the warranty. Attention please.
- Does not include damage during installation, but includes damage during transportation.

Scope of responsibility

- Shall not bear any responsibility for misuse or user damage and / or loss of parts during the installation of furniture.
- After using, the damage and scratches of the furniture are not covered by the warranty.

The Warranty Relates to All Bought in The Us and Covers The Following Areas

- Sheet parts: 1 month from the date of purchase.
- Electrical parts: 1 month from the date of purchase.

RETURNS

CHANGED YOUR MIND AND NEED TO RETURN YOU ITEM?

PLEASE FOLLOW THE BELOW INSTRUCTIONS:

- If you have purchased and have simply changed your mind, follow the retailer's instructions for returns.

DEFECTIVE ITEMS

- If your item is defective in any way, i.e. it doesn't work but you can't identify why, in the first instance, please call us.

DAMAGED ITEMS

- If you receive an order with obvious shipping damage from the retailer, then we suggest the delivery is refused. If the delivery has been accepted and then shipping damage is found, please follow the specific instructions advised by the retailer.
In all circumstances please save all packaging material and paperwork for the order. Please be aware that if you dispose of packaging material or attempt to return the merchandise without contacting the fulfiller, you jeopardise your chances of making a claim, and you may not receive a credit for the return.

AFTER-SALES CONTACT

