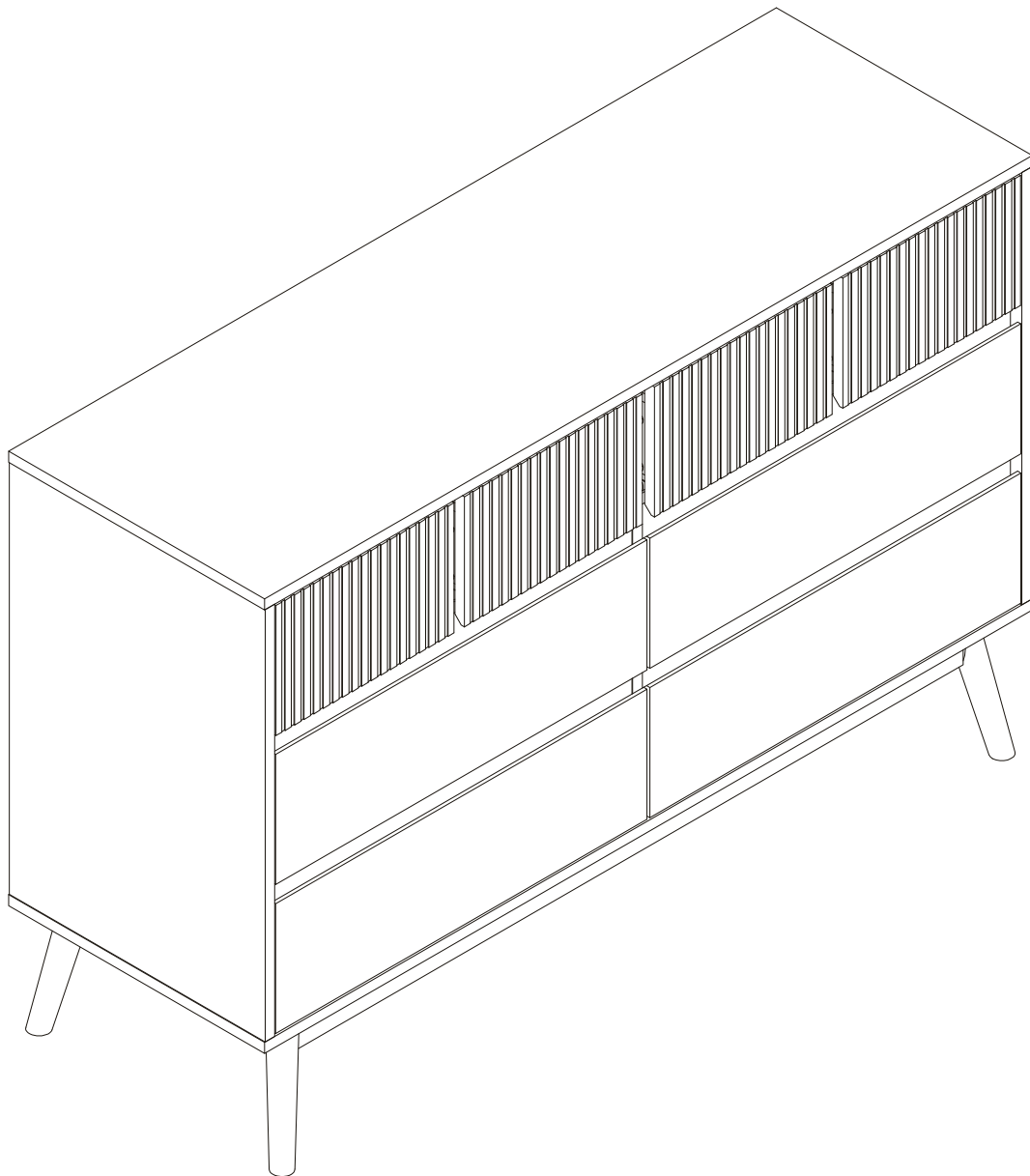


# DRAWER DRESSER

## User Manual



## INTRODUCTION

Thank you for choosing the Drawer Dresser. Please read this user manual carefully and keep it for future reference. If you need any assistance, please contact us by email with your order number and details.

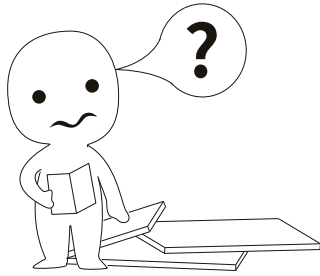
## PACKAGE CONTENTS

- 1x Drawer Dresser
- 1x Pack of Accessories
- 1x User Manual

## PRODUCT CARE

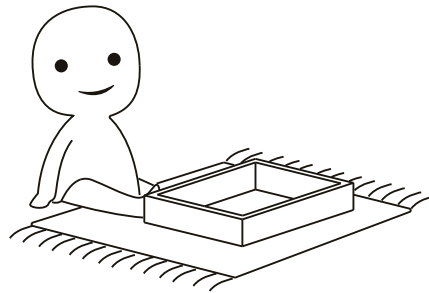
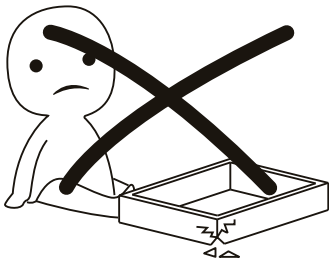
- Please follow the instruction to assemble this item correctly.
- Don't make the screws be too loose or too tight.
- Please put the screws into the holes' position just as shown in the arrows of the image, and then clockwise rotate 90° or 180°
- More product parts, it is recommended that two people install
- The fittings pack contains small accessories that should be kept away from small children.

<b>! WARNING</b>	
	<p><b>Children have died from furniture tipover. To reduce the risk of furniture tipover:</b></p> <ul style="list-style-type: none"><li>- ALWAYS install Anti-tip device provided.</li><li>- NEVER put a TV on this product.</li><li>- NEVER allow children to stand, climb or hang on any drawers, doors, or shelves.</li><li>- NEVER open more than one drawer at a time.</li><li>- Place heaviest items in the lowest drawers.</li></ul>
	<p><i>This is a permanent label. Do not remove!</i></p>



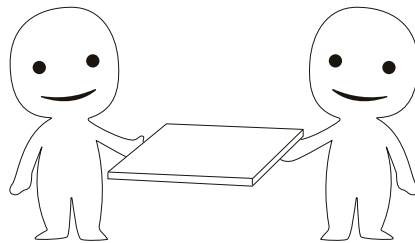
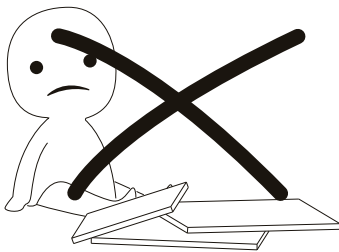
## IMPORTANT INFORMATION!

please read the entire manual before starting to assemble and/or using this product. follow the manual thoroughly and keep it for further reference.



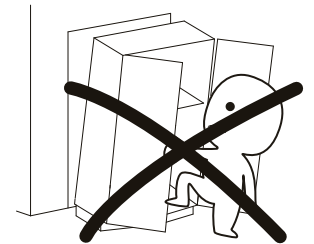
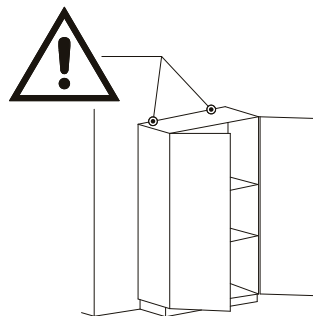
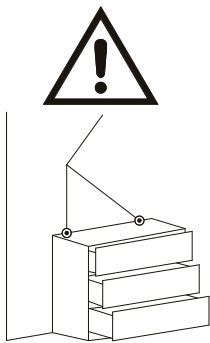
## AVOID SCRATCHES!

In order to avoid scratching this furniture should be assembled on a soft layer-could be a rug.



## IMPROVE EFFICIENCY!

Try to find a partner to install with you, which can speed up the installation efficiency and shorten the time.



## ANTI-TOPPLE WARNING !

Overturnd furniture can cause serious or fatal crush injuries. To prevent tipping over, be sure to use the wall attachment, if not included with this product. Please purchase the wall attachment that fit your wall. If unsure, seek professional advice. Please read and follow each step of the instructions carefully.

# IMPORTANT !

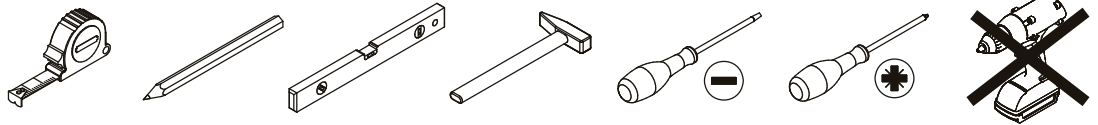
It is important that any product which is assembled using any kind of screw re-tightened 2 weeks after assembly, and once every 3 months - in order to assure stability through-out the lifespan of the product.

For regular maintenance and cleaning of the product, for the frame, please use a rag dipped in neutral detergent to fully wipe it, and then dry it with a clean rag. For glass materials, wipe with a rag dampened with water glass cleaner, and then dry with a dry rag.

Do not use an electric screwdriver, and do not use too much force when installing, because the board is easy to break.

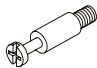

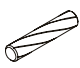

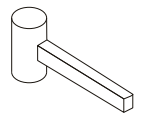
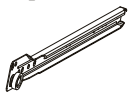
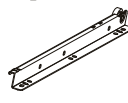
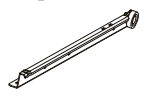
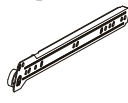




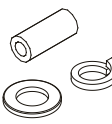

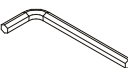





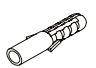
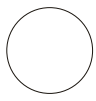

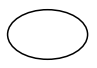


Please prepare the following tools

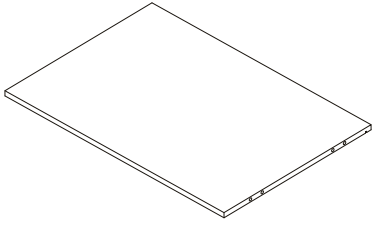
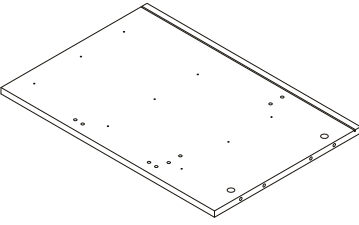
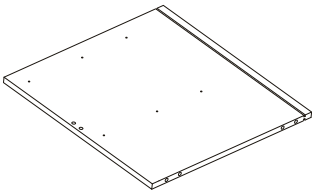
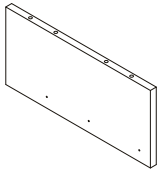
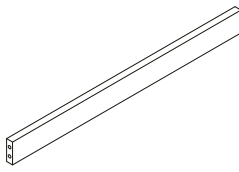
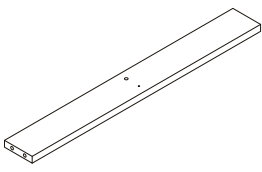
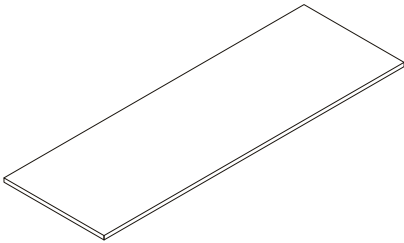
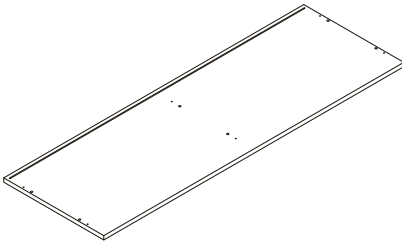
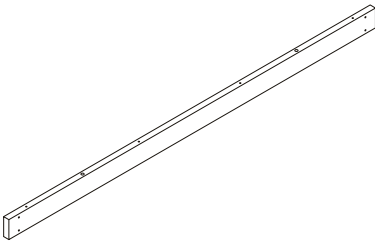
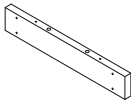
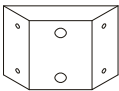

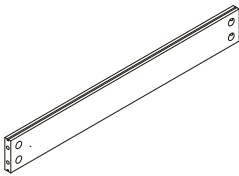
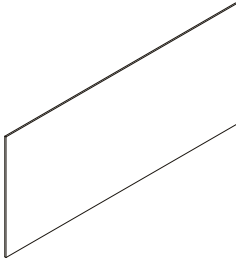
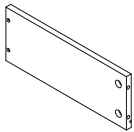


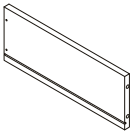
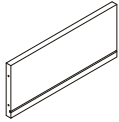
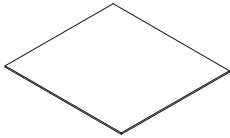
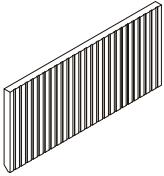
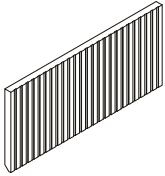
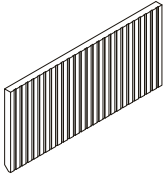
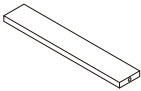
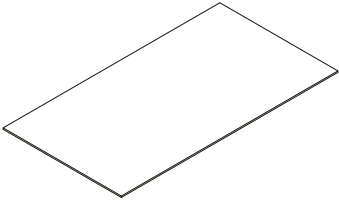
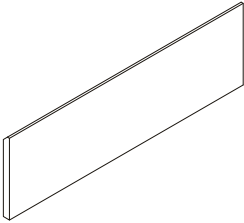
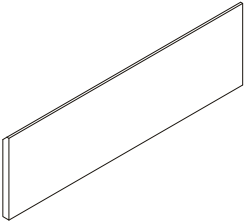
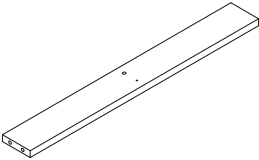
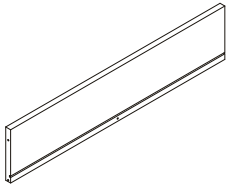

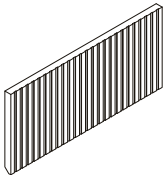
When installing, please carefully confirm whether each screw corresponds to the manual, accessories with similar shapes can be distinguished by size

## Hardwares list

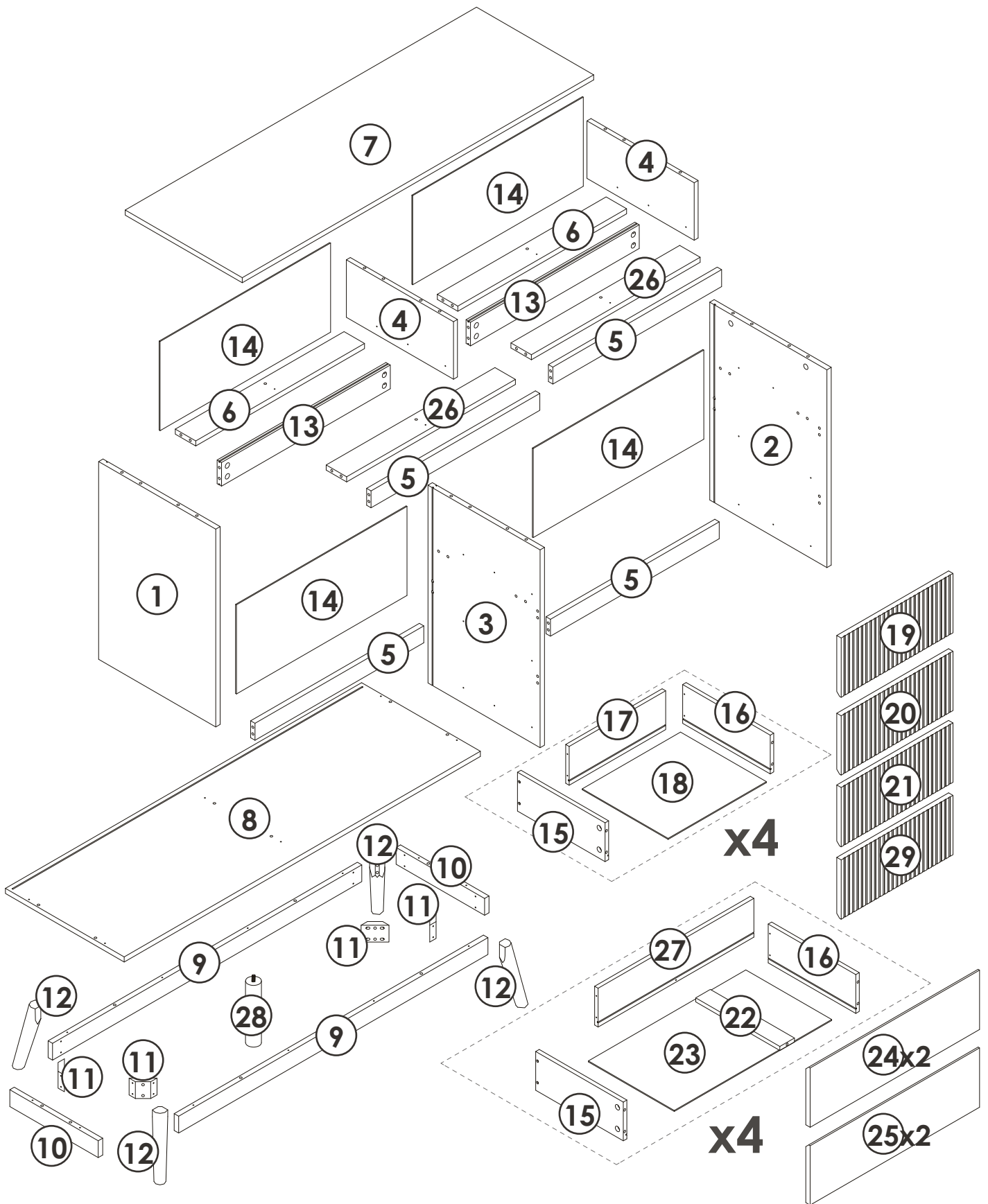
					TOOLS REQUIRED:	
			Screwdriver	Hammer		
<b>A</b> M6*35 mm  x70+2	<b>B</b> M15*10 mm  x70+2	<b>C</b> M5.8*30 mm  x44+2				
<b>D (CL)</b> 12in  x8	<b>D (DL)</b> 12in  x8	<b>D (DR)</b> 12in  x8	<b>D (CR)</b> 12in  x8	<b>E</b> M3.5*12 mm  x96+2		
<b>F</b> M4*35 mm  x8	<b>G</b> M4*25 mm  x16	<b>H</b> M4*50 mm  x12	<b>I</b>  x8	<b>J</b> M6*60 mm  x8		
<b>K</b>  x1	<b>L</b> M4*30 mm  x36	<b>M</b> M4*14 mm  x2	<b>N</b>  x2	<b>O</b>  x16		
<b>P</b> M3*16 mm  x16	<b>Q</b>  x2	<b>R</b>  x4	<b>S</b>  x1	<b>T</b>  x32		

# PARTS LIST

<p>① 58.5*39.7*1.5 cm</p>  <p>x1</p>	<p>② 58.5*39.7*1.5 cm</p>  <p>x1</p>	<p>③ 58.5*37.8*1.5 cm</p>  <p>x1</p>
<p>④ 36.2*17*1.5 cm</p>  <p>x2</p>	<p>⑤ 57.6*5*1.5 cm</p>  <p>x4</p>	<p>⑥ 57.6*7*1.5 cm</p>  <p>x2</p>
<p>⑦ 120*40*1.5 cm</p>  <p>x1</p>	<p>⑧ 120.40.1.5 cm</p>  <p>x1</p>	<p>⑨ 56.8*7*1.5 cm</p>  <p>x2</p>
<p>⑩ 104*6*1.5 cm</p>  <p>x1</p>	<p>⑪ 9.5*6*1.5 cm</p>  <p>x4</p>	<p>⑫ 18.5*3.8*2.8 cm</p>  <p>x4</p>
<p>⑬ 57.6*7*1.5 cm</p>  <p>x4</p>	<p>⑭ 58.4*26.5*0.3 cm</p>  <p>x4</p>	<p>⑮ 30*11.5*1.2 cm</p>  <p>x8</p>

<p><b>16</b> 30*11.5*1.2 cm</p>  <p>x8</p>	<p><b>17</b> 23.2*11.5*1.2 cm</p>  <p>x4</p>	<p><b>18</b> 29.6*23.9*1.2 cm</p>  <p>x4</p>
<p><b>19</b> 28.6*17.5*1.5 cm</p>  <p>x1</p>	<p><b>20</b> 28.6*17.5*1.5 cm</p>  <p>x1</p>	<p><b>21</b> 28.6*17.5*1.5 cm</p>  <p>x1</p>
<p><b>22</b> 28.7*5*1.2 cm</p>  <p>x4</p>	<p><b>23</b> 29.6*53.5*0.3 cm</p>  <p>x4</p>	<p><b>24</b> 57.8*17.5*1.5 cm</p>  <p>x2</p>
<p><b>25</b> 57.8*17.5*1.5 cm</p>  <p>x2</p>	<p><b>26</b> 57.6*7*1.5 cm</p>  <p>x2</p>	<p><b>27</b> 52.7*11.5*1.2 cm</p>  <p>x4</p>
<p><b>28</b> 17.5*3.8 cm</p>  <p>x1</p>	<p><b>29</b> 28.6*17.5*1.5 cm</p>  <p>x1</p>	

# PANEL LAYOUT



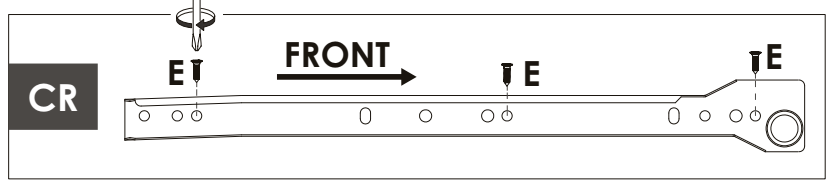
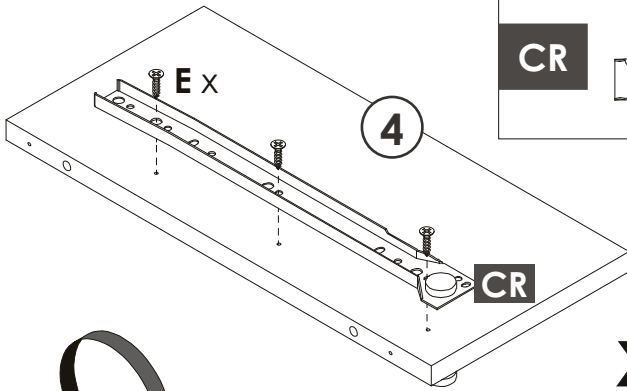
1

YOU WILL NEED

D (CL) x2

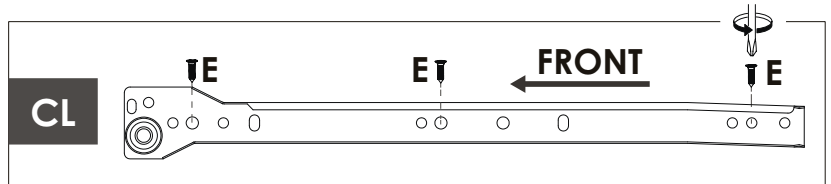
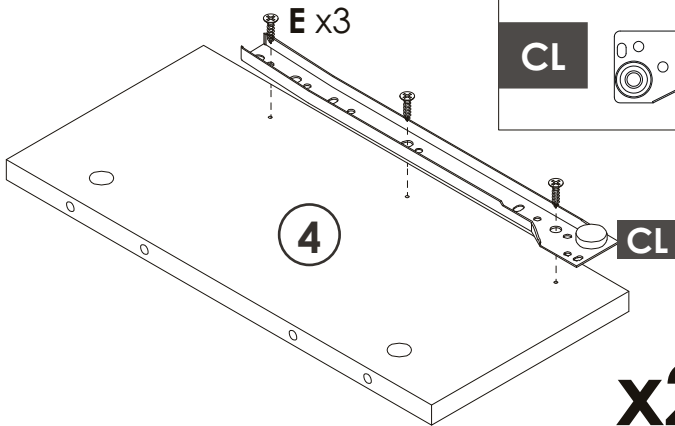
D (CR) x2

E x12



x2

flip over



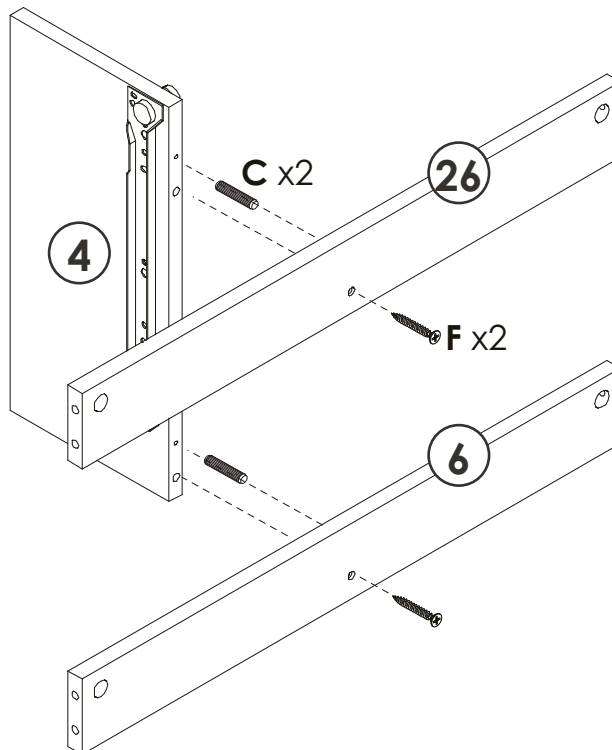
x2

2

YOU WILL NEED

C x4

F x4



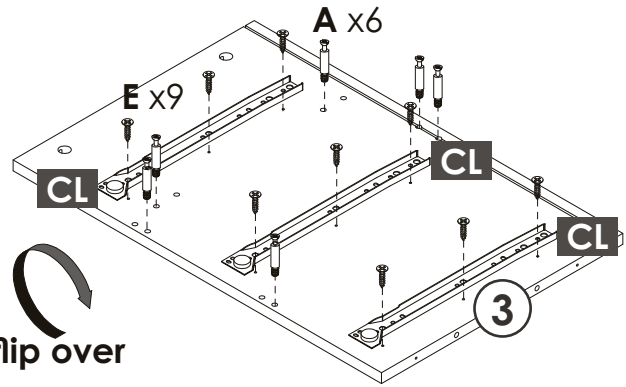
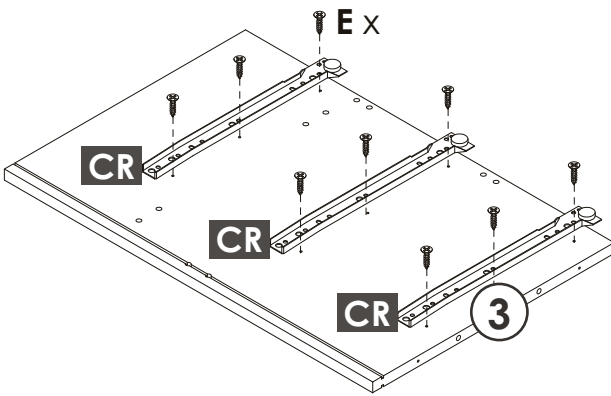
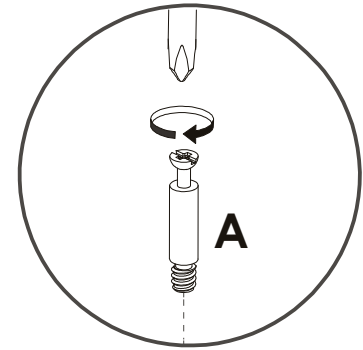
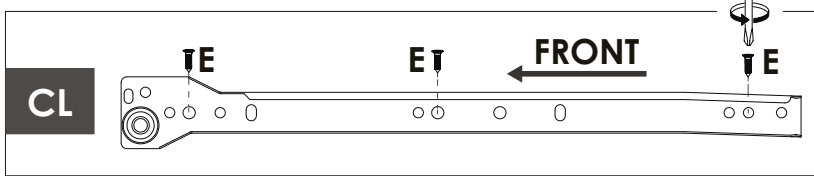
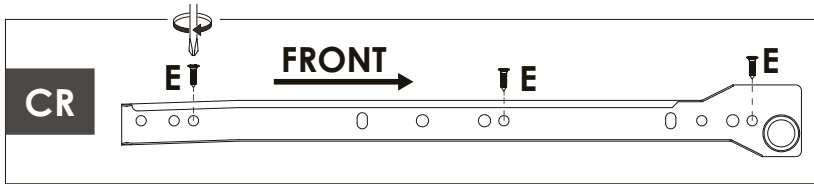
x2

3

3

YOU WILL NEED

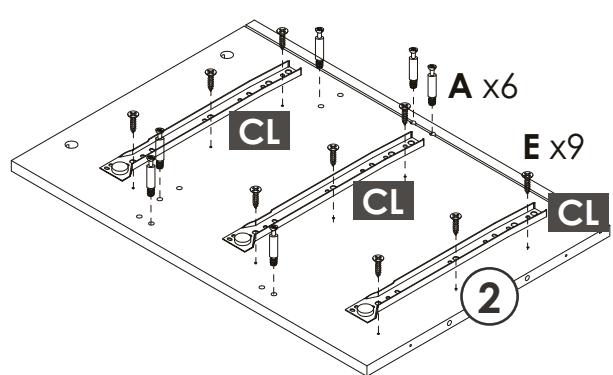
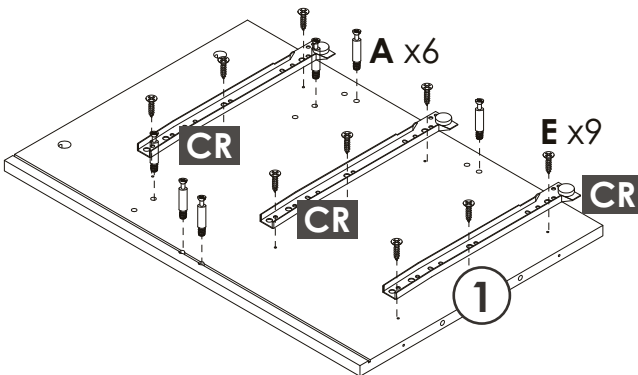
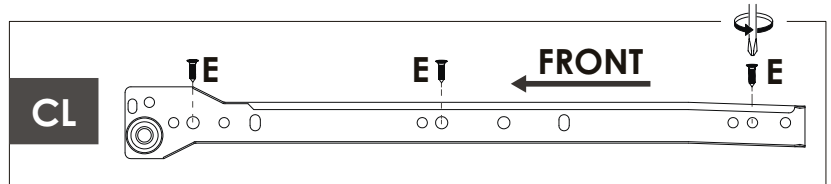
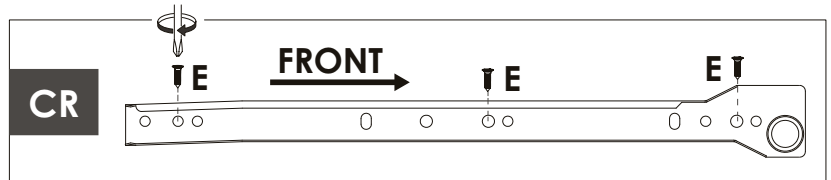
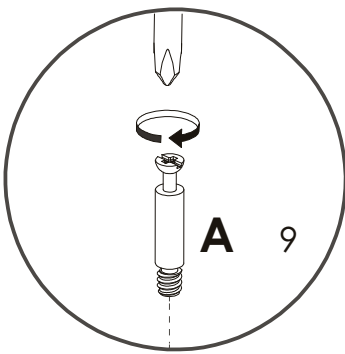
A x6	D (CL) x3	D (CR) x3	E x18
------	-----------	-----------	-------



4

YOU WILL NEED

A x12	D (CL) x3	D (CR) x3	E x18
-------	-----------	-----------	-------

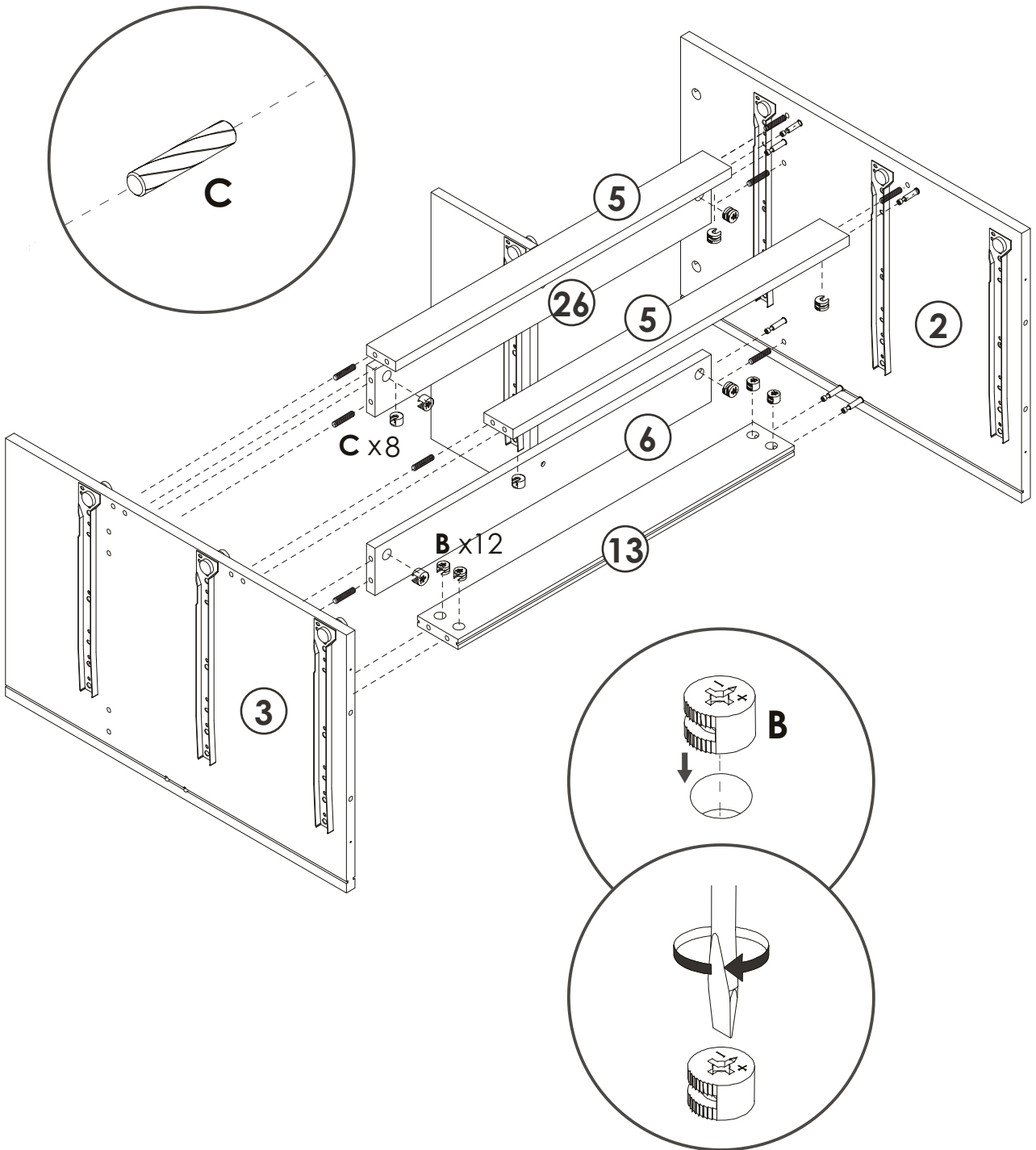


5

YOU WILL NEED

B x12

C x8



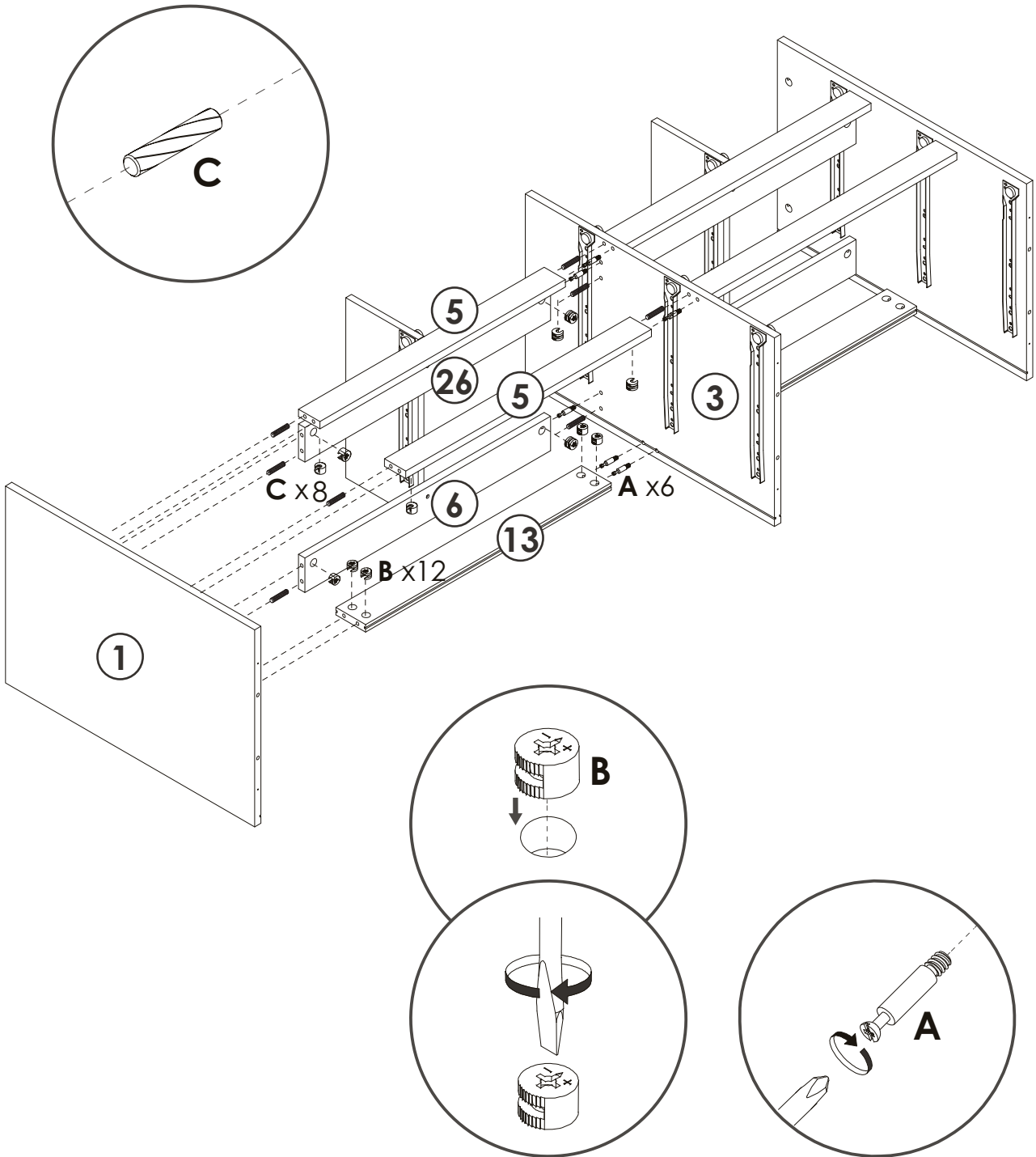
6

YOU WILL NEED

A x6

B x12

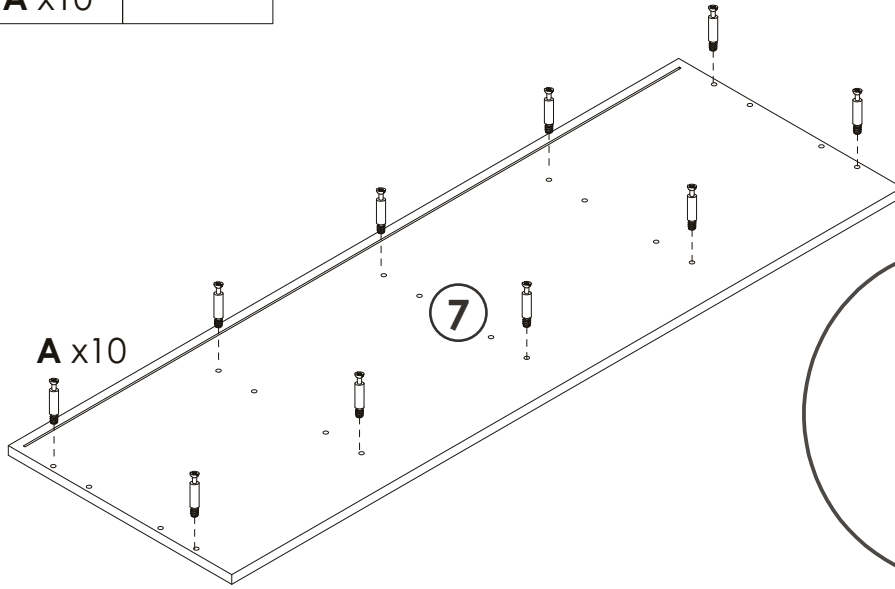
C x8



7

YOU WILL NEED

A x10

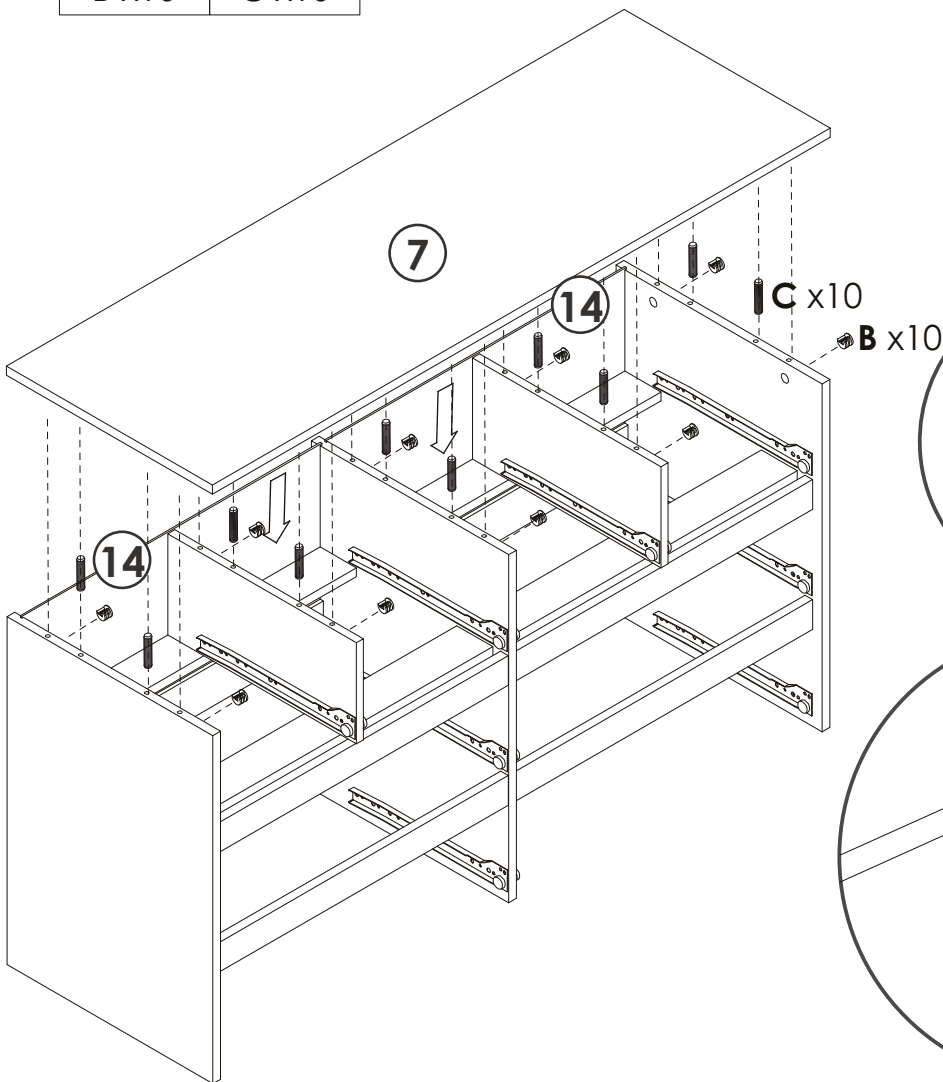


8

YOU WILL NEED

B x10

C x10

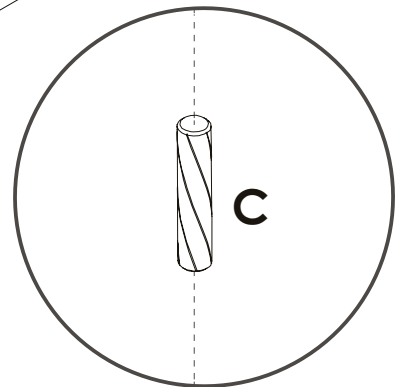
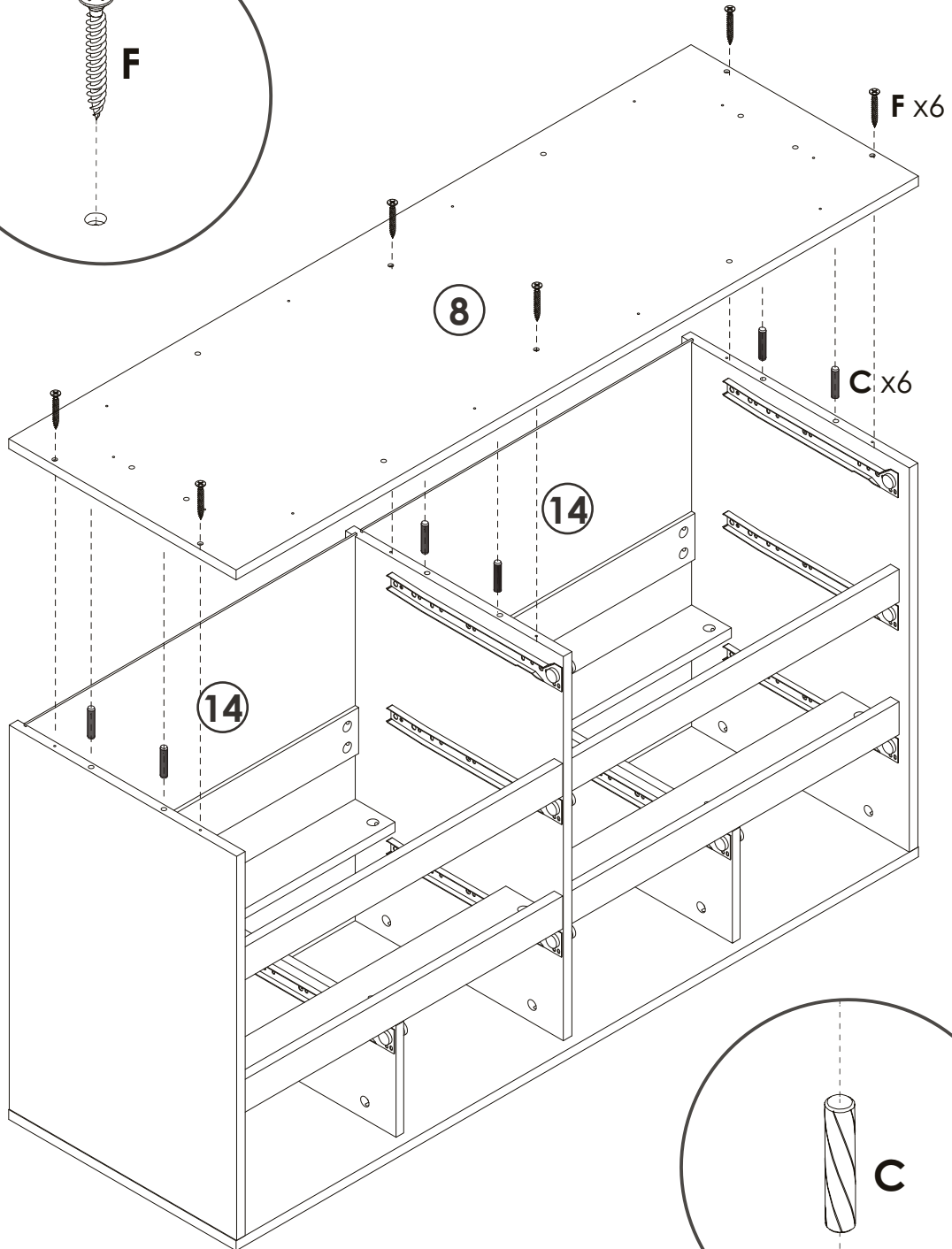
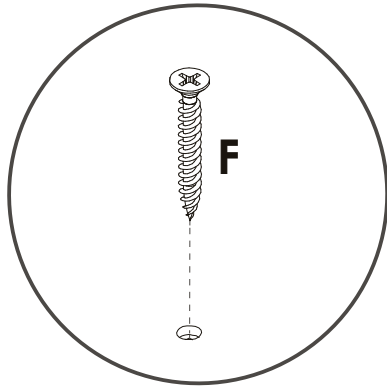


9

YOU WILL NEED

C x6

F x6



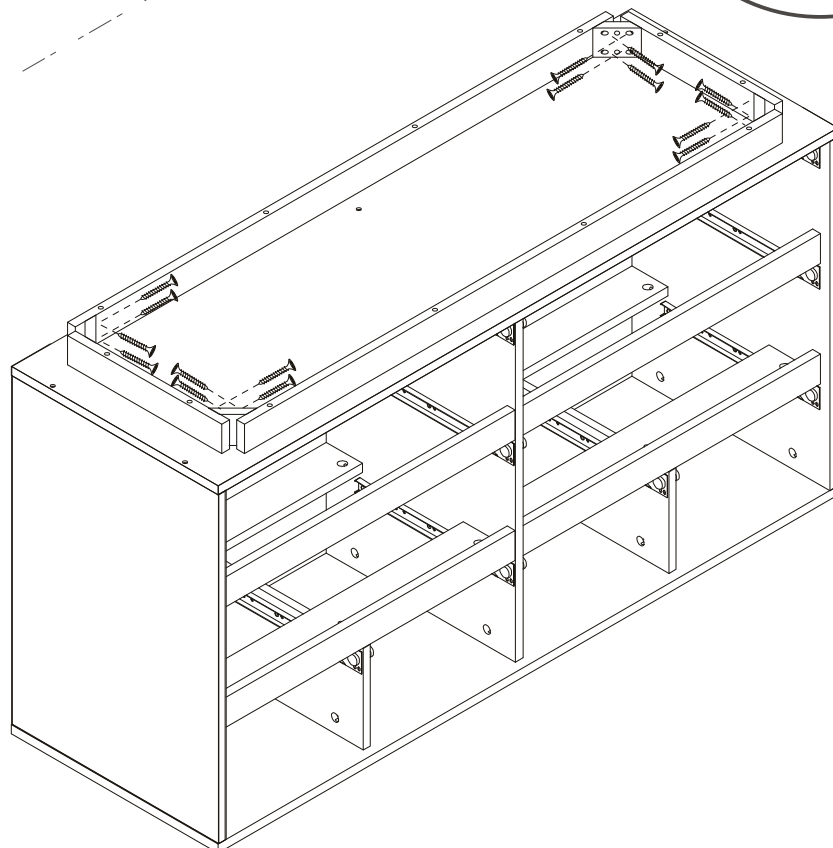
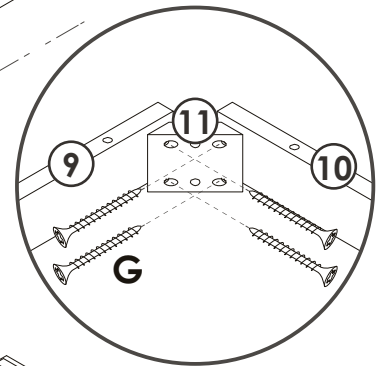
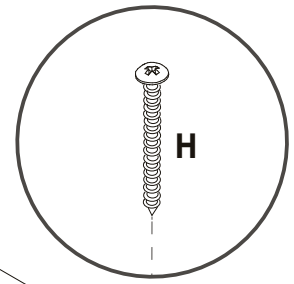
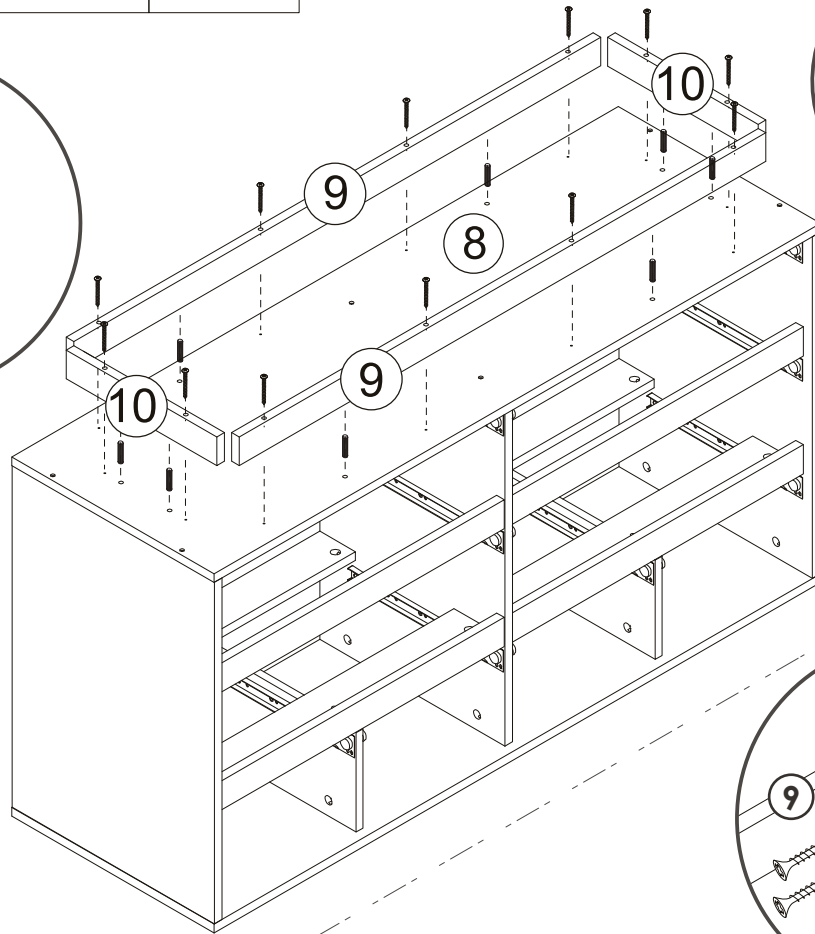
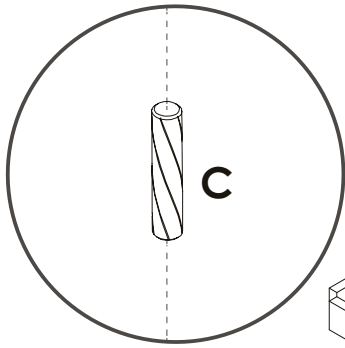
10

YOU WILL NEED

G x16

C x8

H x12



11

YOU WILL NEED

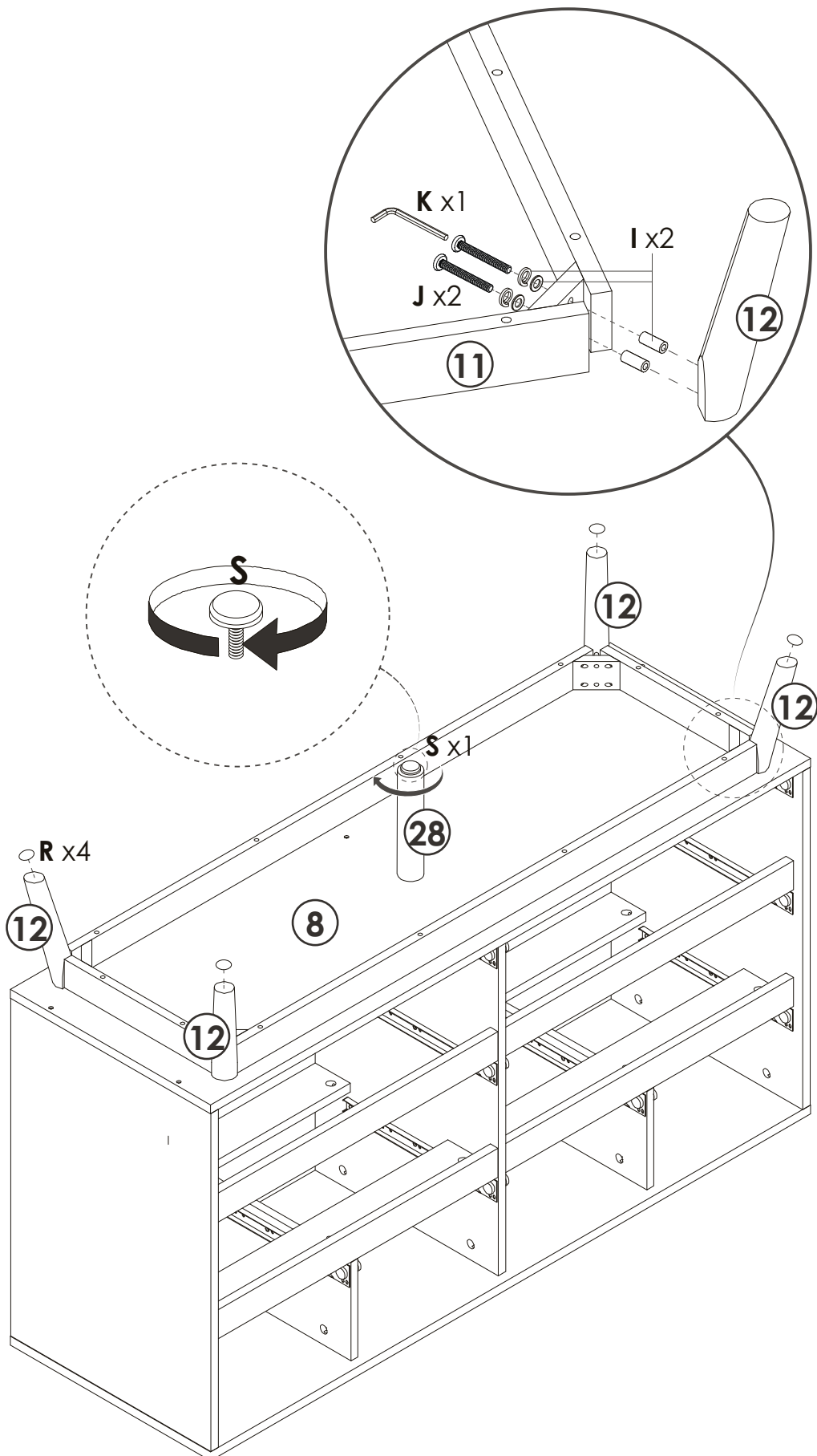
I x8

J x8

K x1

R x4

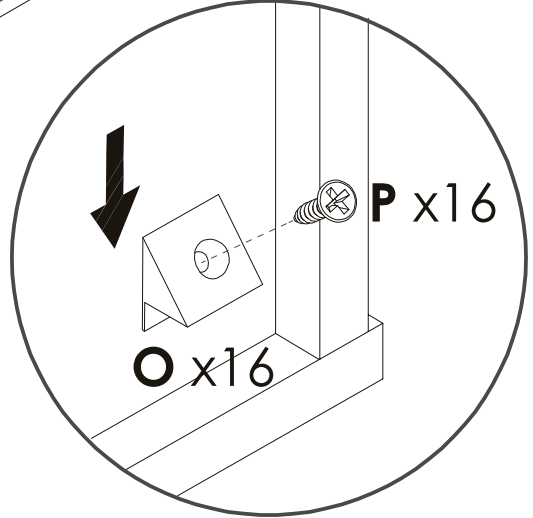
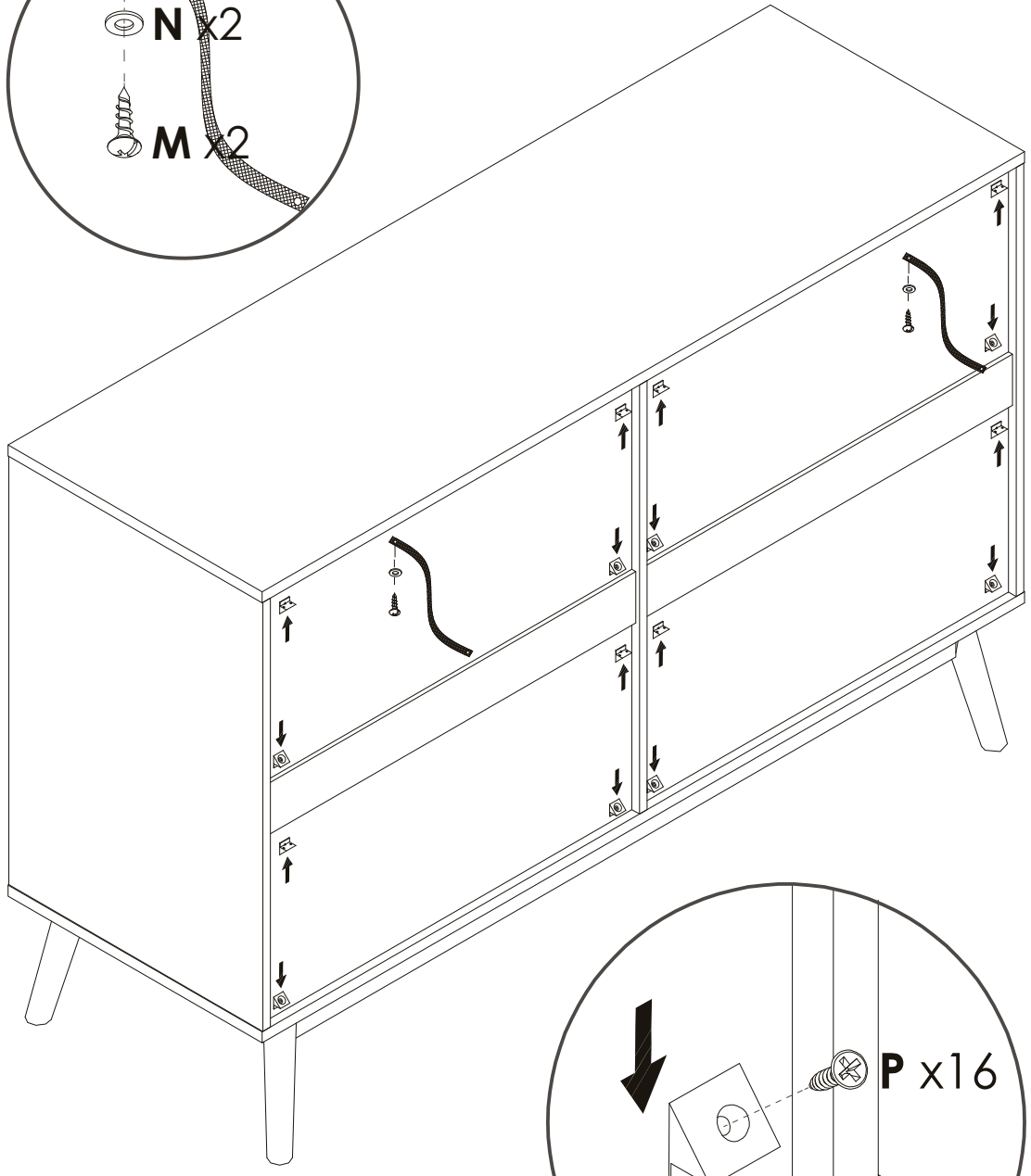
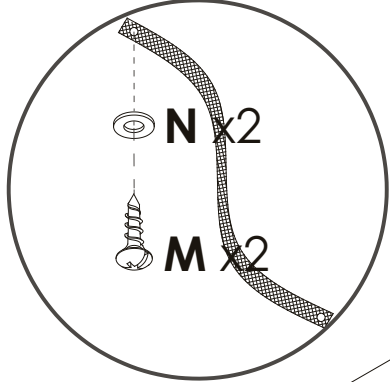
S x1



12

YOU WILL NEED

M x2	N x2	O x16	P x16
------	------	-------	-------



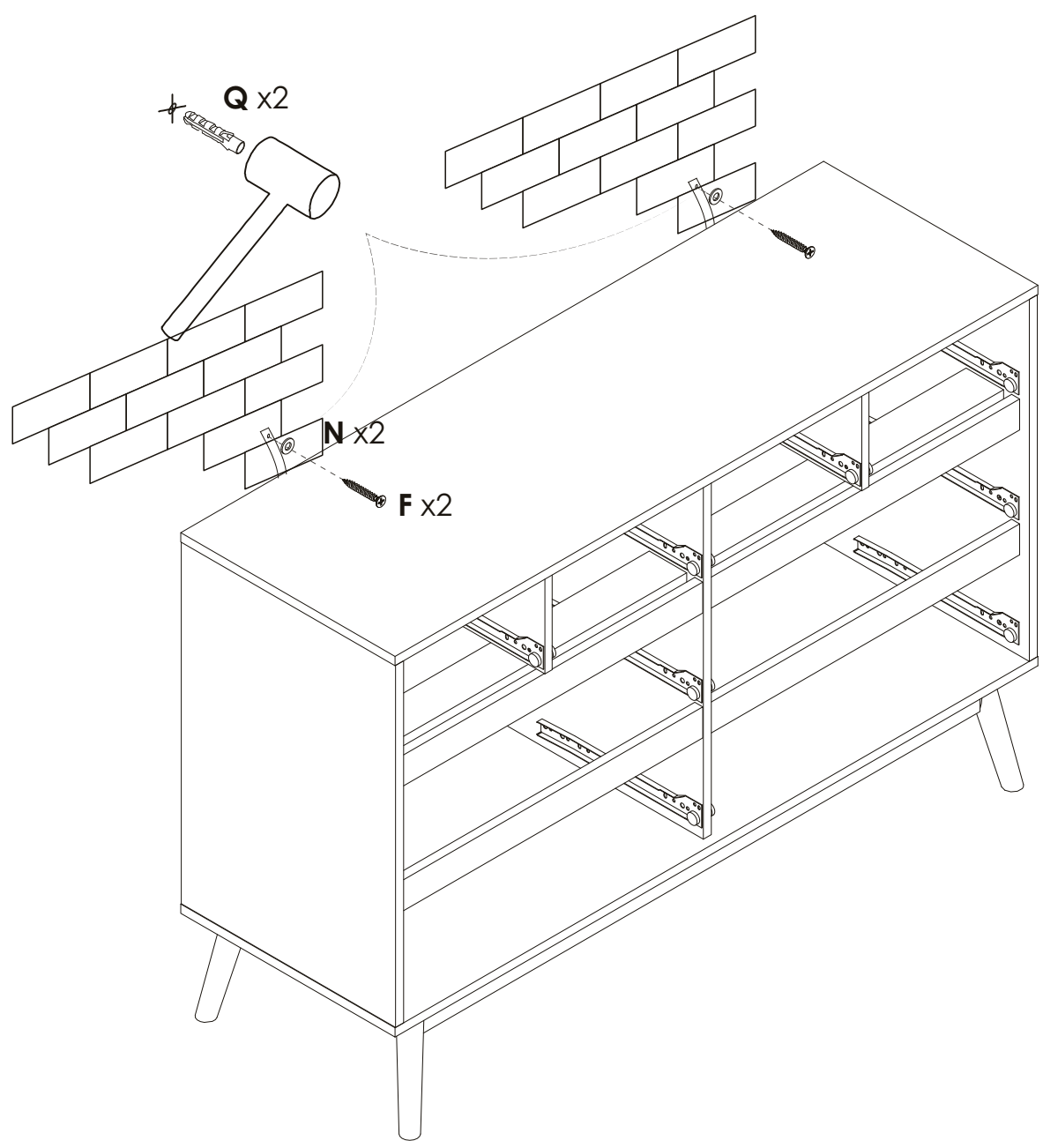
13

YOU WILL NEED

F x2

N x2

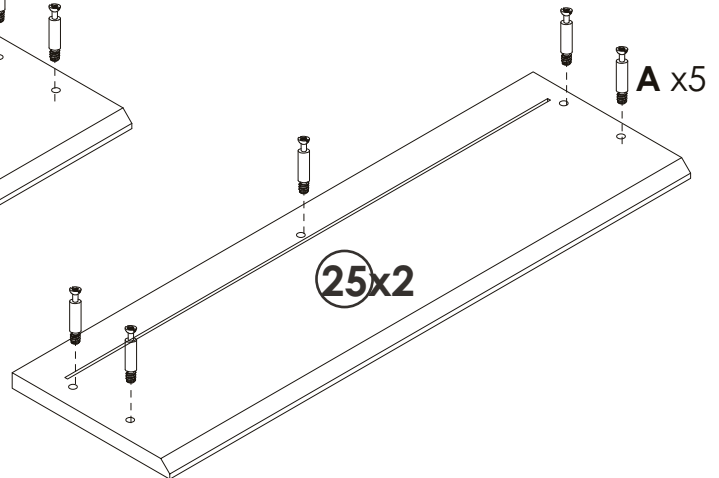
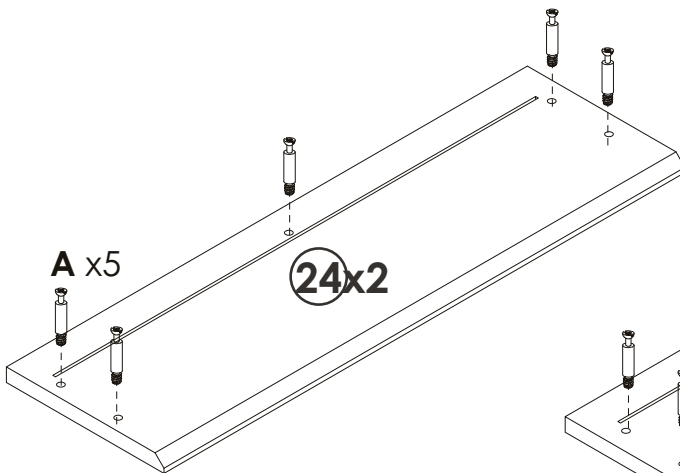
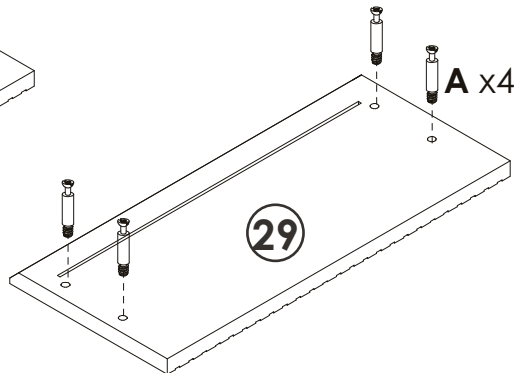
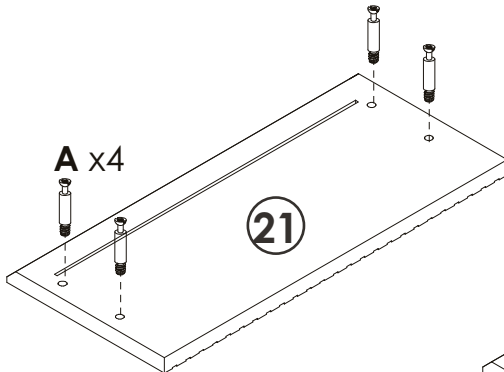
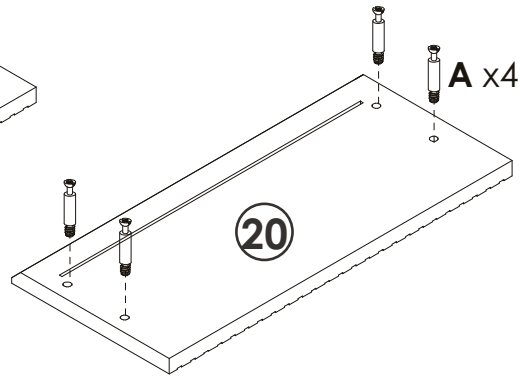
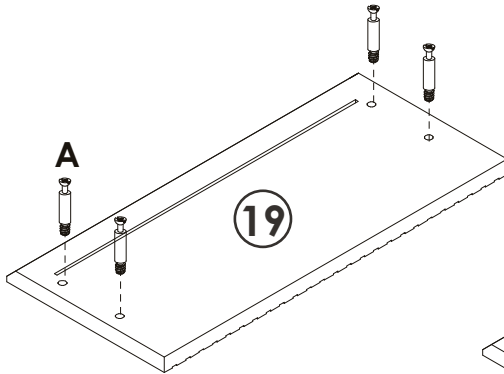
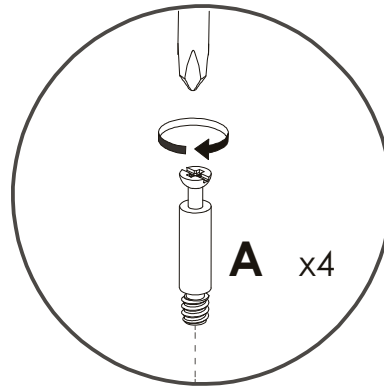
Q x2



14

YOU WILL NEED

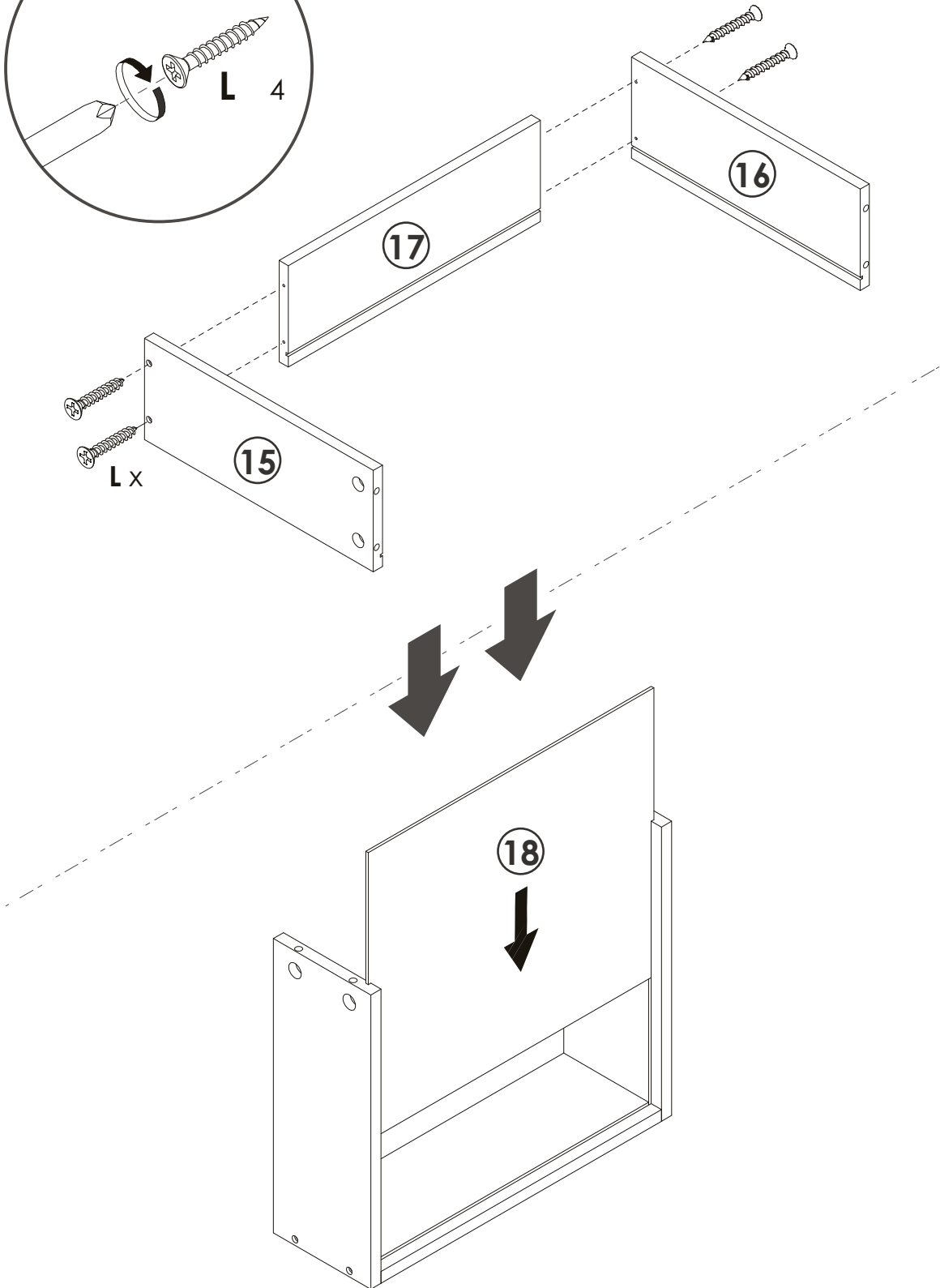
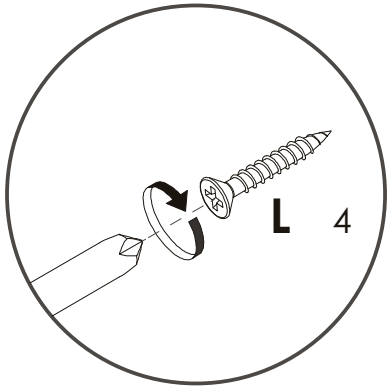
A x36



15

YOU WILL NEED

L x 16



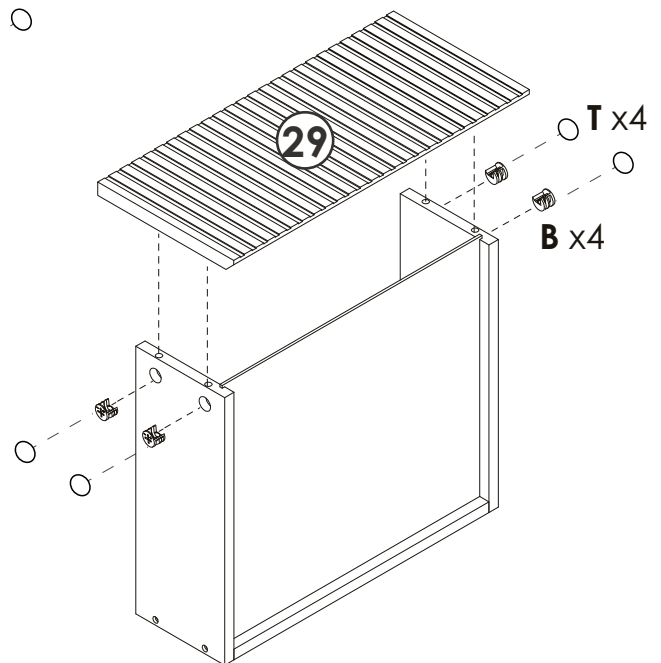
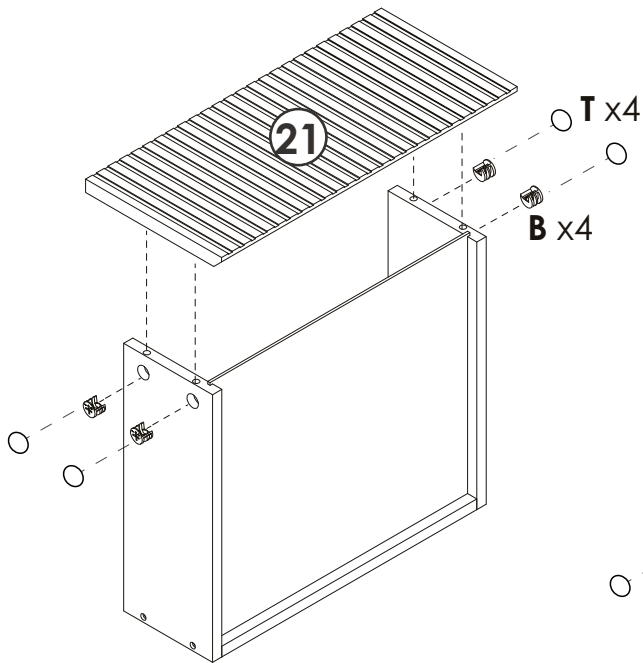
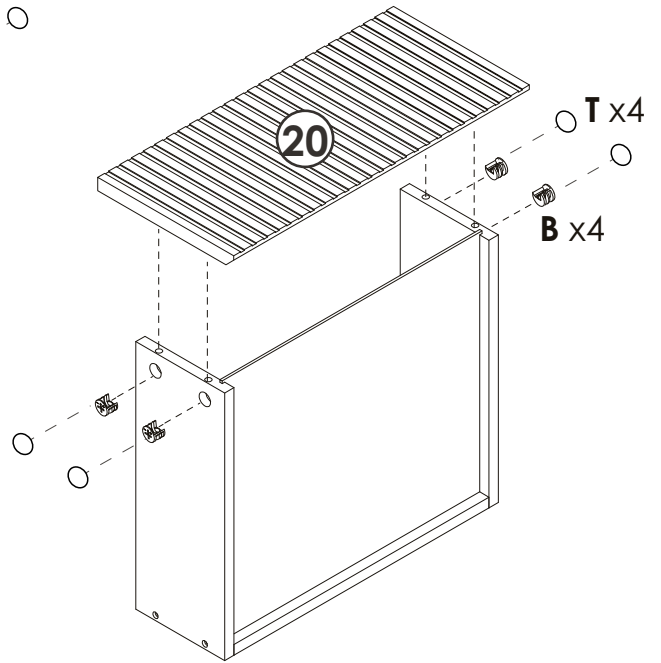
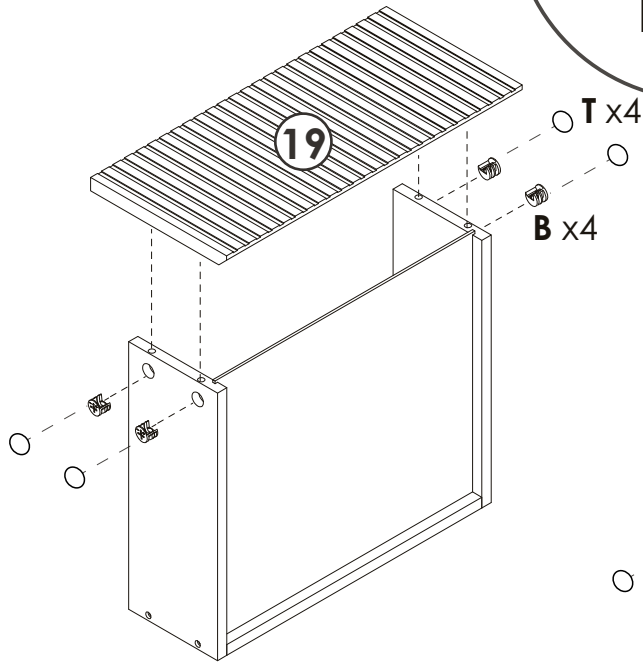
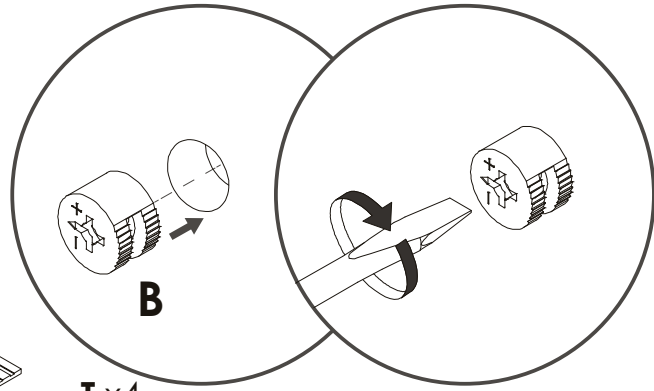
x4

16

YOU WILL NEED

B x16

T x16



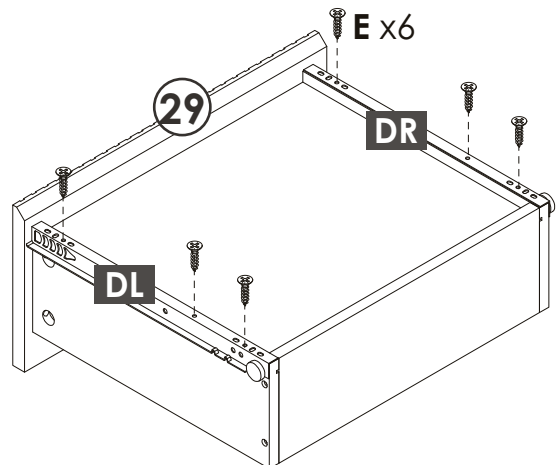
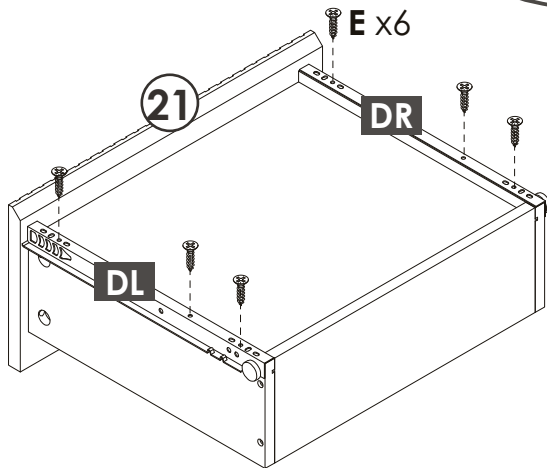
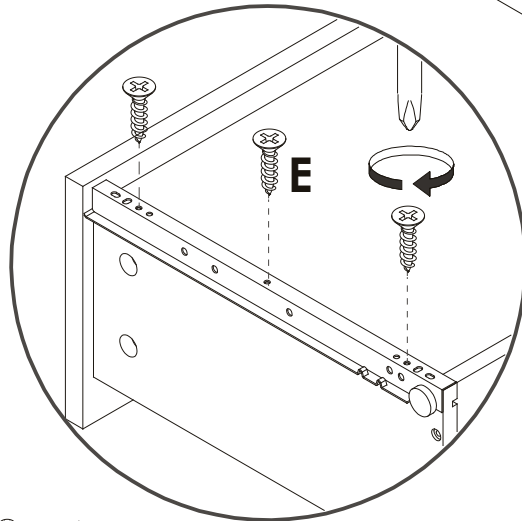
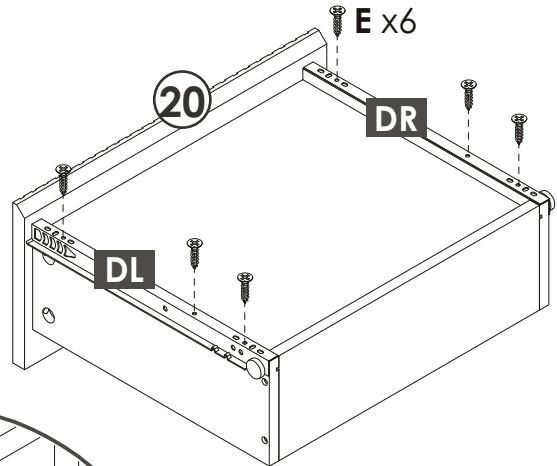
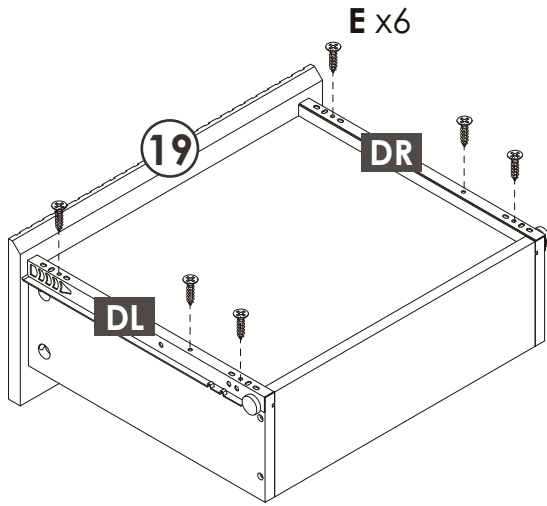
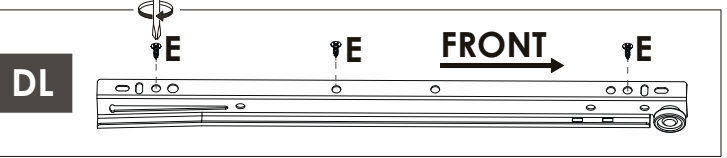
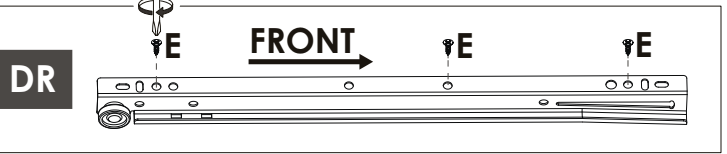
17

YOU WILL NEED

D (DL) x4

D (DR) x4

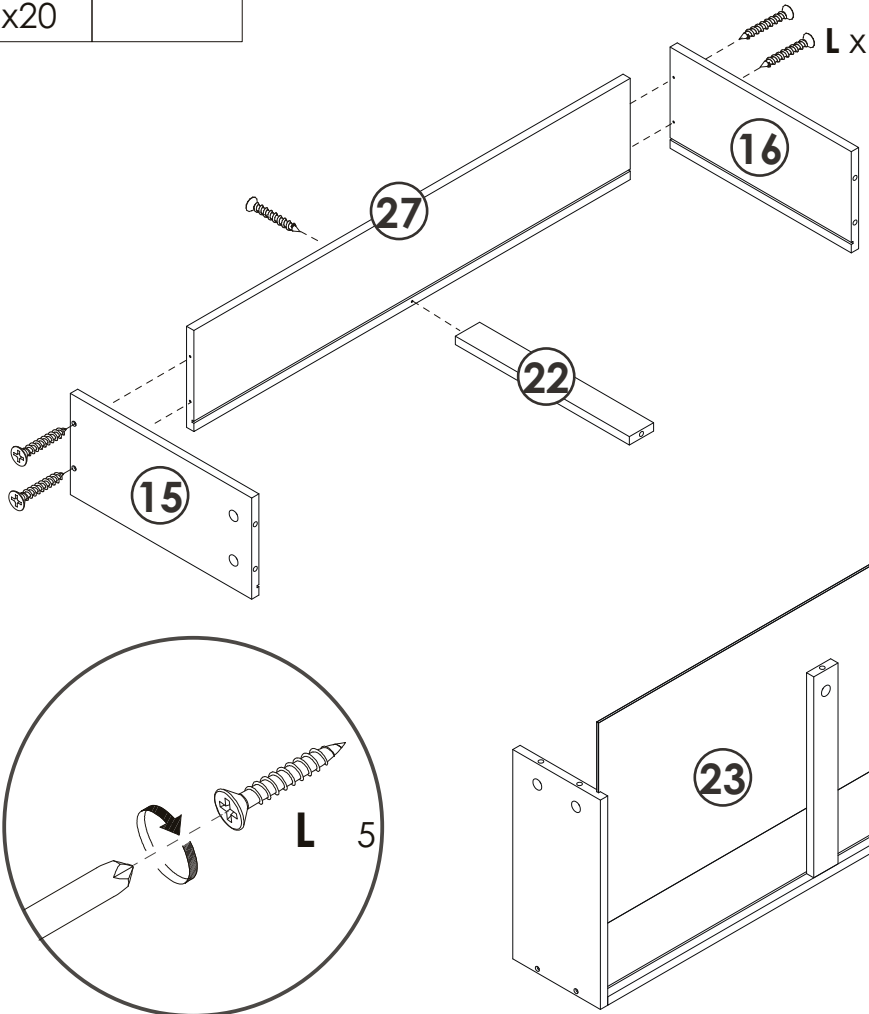
E x24



18

YOU WILL NEED

L x 20



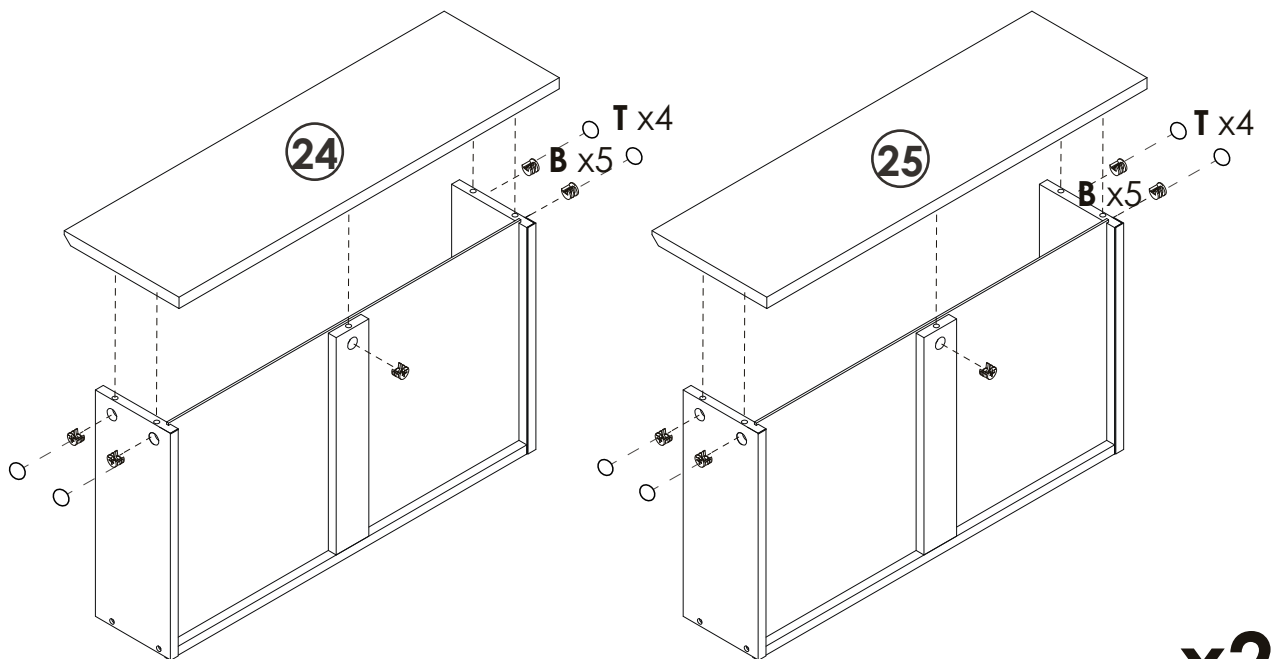
x4

19

YOU WILL NEED

B x 20

T x 16



x2

20

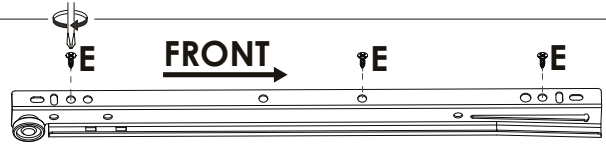
YOU WILL NEED

D (DL) x4

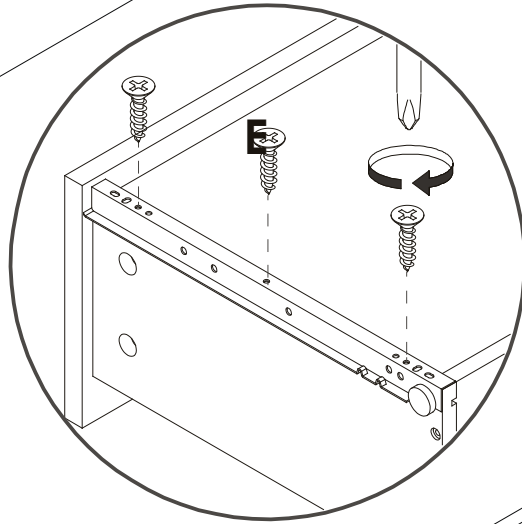
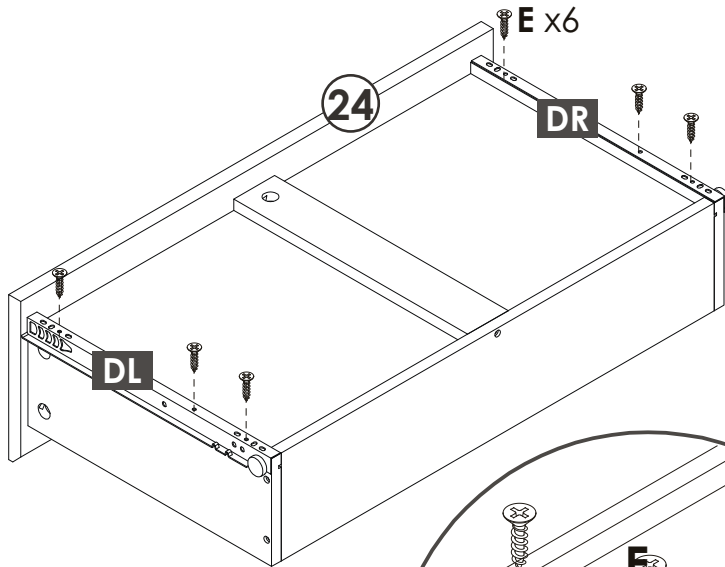
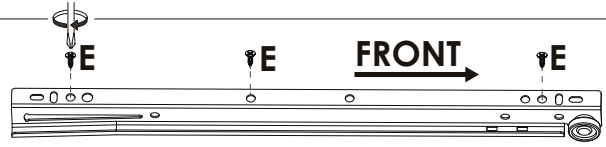
D (DR) x4

E x24

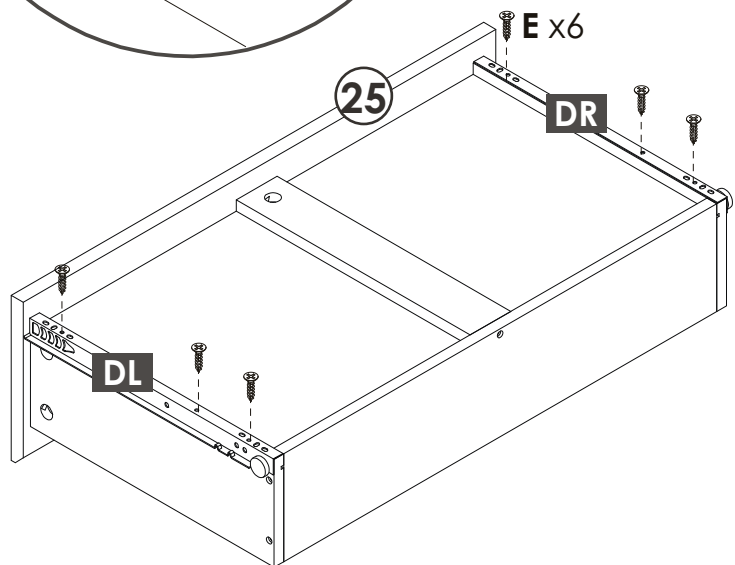
DR

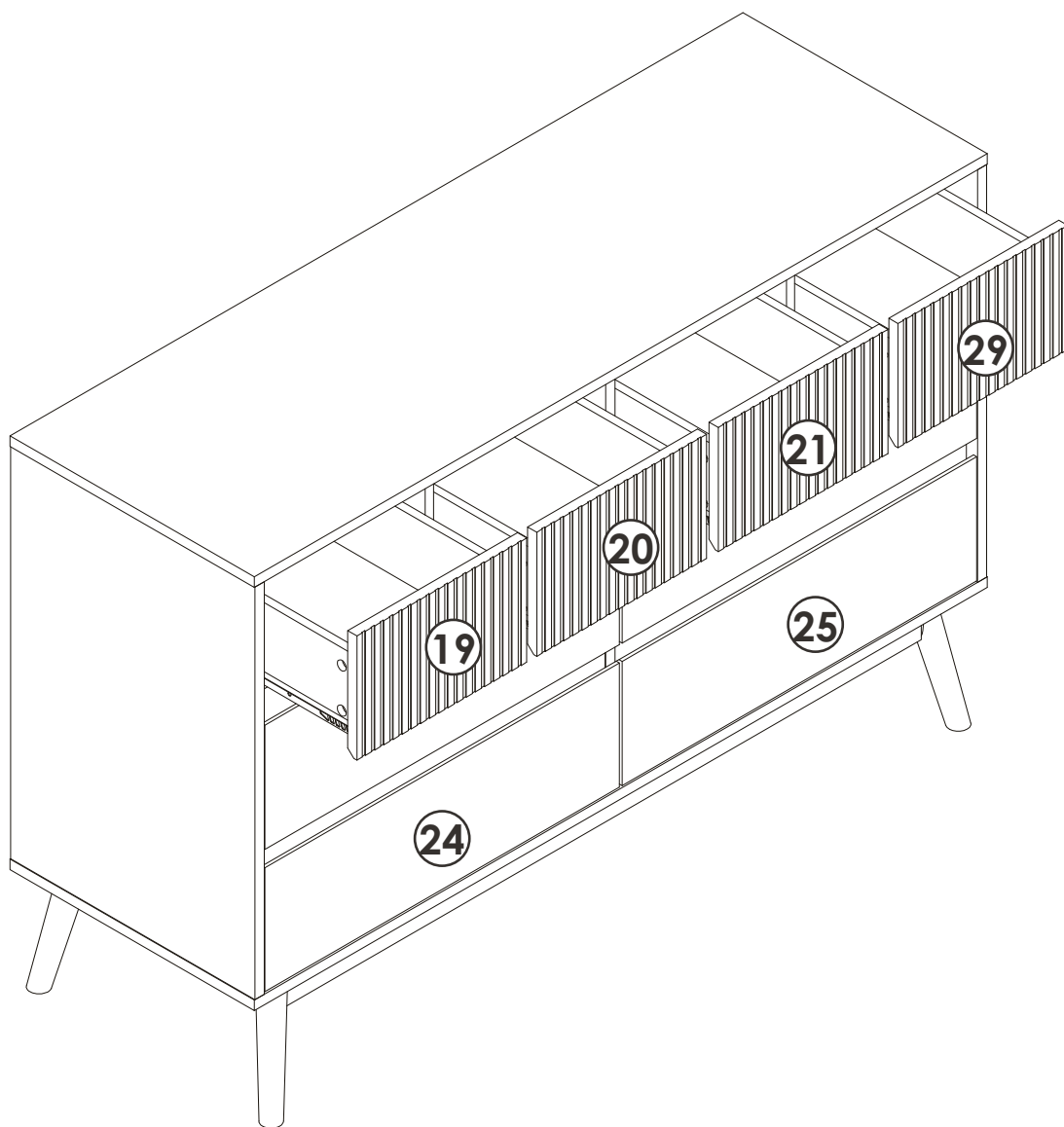
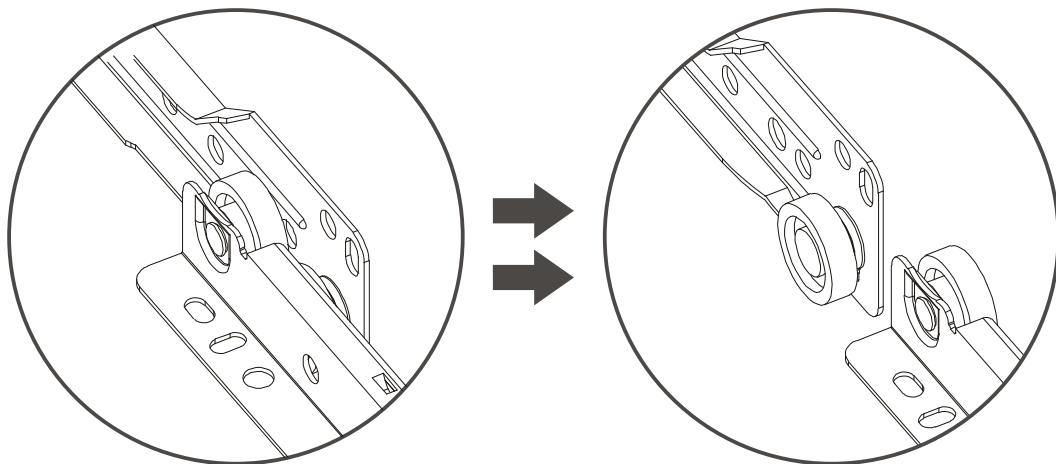


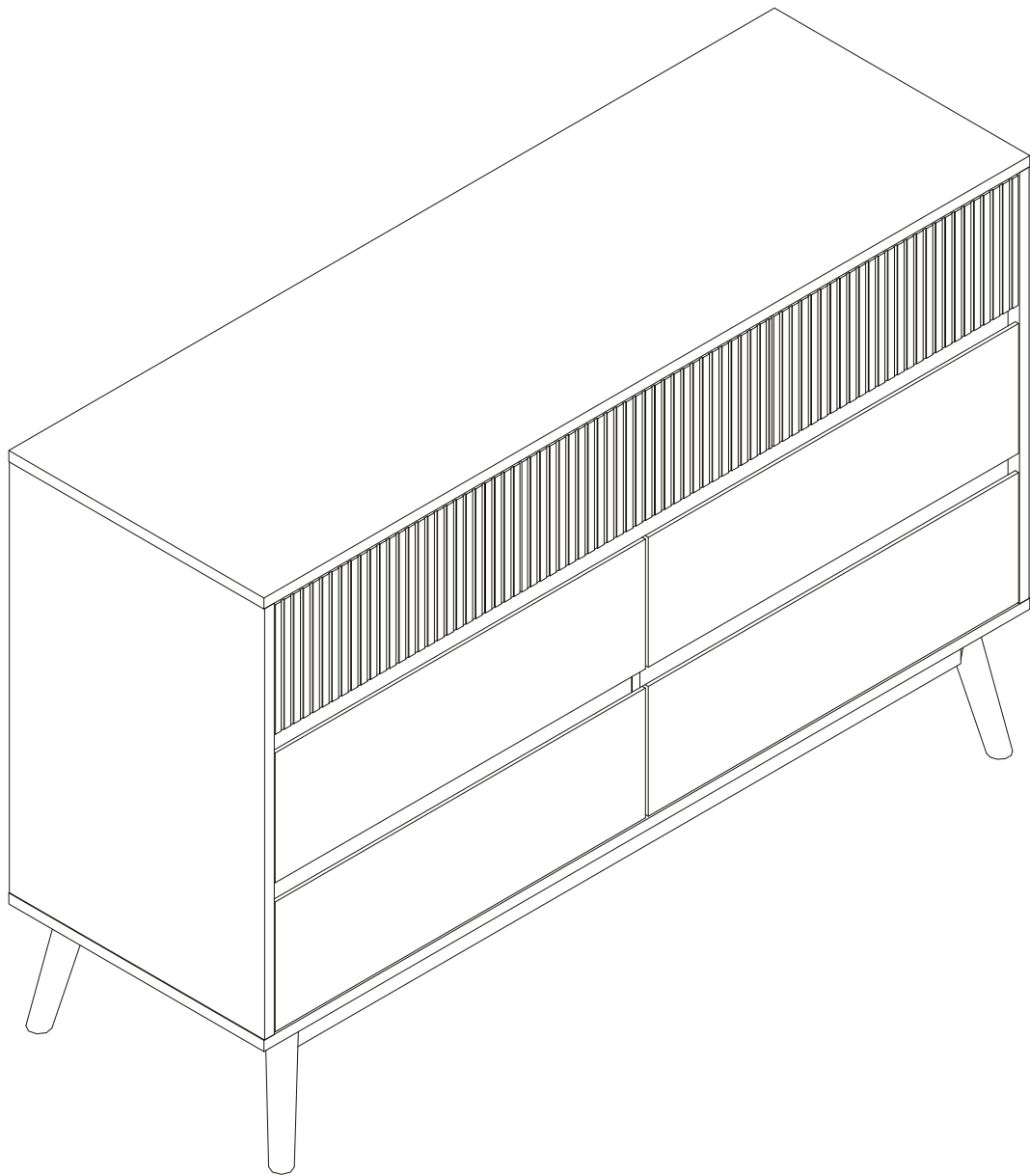
DL



X2







## **GUARANTEE**

We offer a 90-days warranty that begins on the date of the original purchase and applies to problems caused by the manufacturer. For questions, assistance, or support, please contact the Customer Service by e-mail with your order number and details. We will send you further information about the solution.