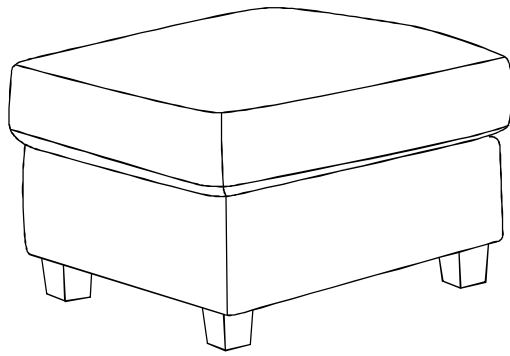


ASSEMBLY INSTRUCTION

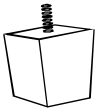


PARTS LIST



A X 1

HARDWARE LIST



1 X 4

Step 1

