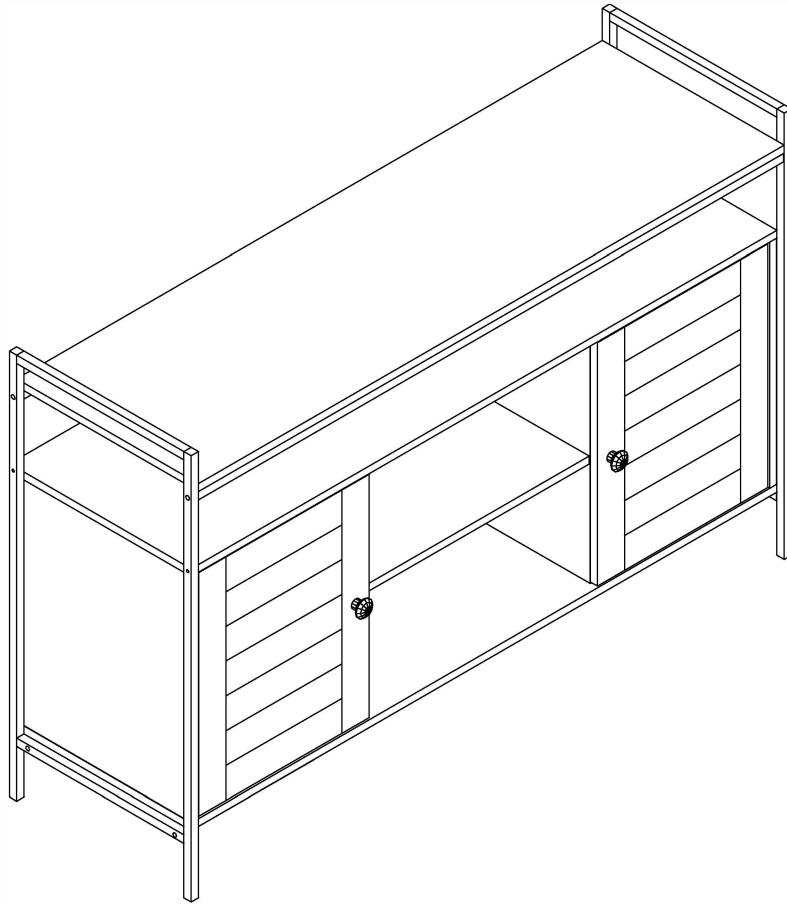


ASSEMBLY INSTRUCTION

Thank you for purchasing the quality product. Be sure to check all packing material carefully for small parts which may have come loose inside the carton during shipment. Separate, identify and count all parts and metal hardware. Compare with all parts list to be sure all parts are present. If any part(s) are missing or damaged, please contact your local furniture dealer. For efficient and speedy service, please indicate the model number and code letter of part(s) needed.

*****Do not fully tighten screws until fully assembled*****

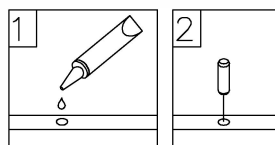


Attention:

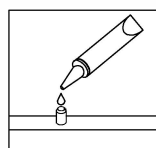
*****Some number parts listed on the instruction sheet may not be in parts bag as they may already be assembled. Carefully check parts and packing materials prior to ordering replacements.**

General Assembly Guidelines

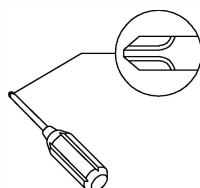
- I. Ensure that all parts and hardware are available before beginning assembly.
- II. Follow each step carefully to ensure the proper assembly of this product.
- III. Two people are recommended for ease in the assembly of this product.
- IV. The three main types of hardware used to assemble this product are: wood dowels, screws and bolts.
- V. The provided glue is to secure wood dowels in place. When first inserting dowels, locate the appropriate hole for the dowel, place a small amount of glue in the hole and insert the dowel. Wipe away excess glue immediately.



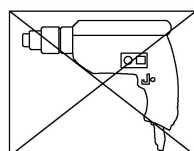
In future assembly steps when dowels are necessary to attach assembly parts together, place a small amount of glue on the end of the dowel before attaching parts together. Wipe away excess glue immediately.



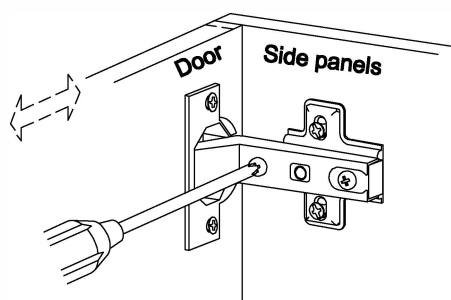
- VI. A Phillips head screwdriver is required for the assembly of this product.



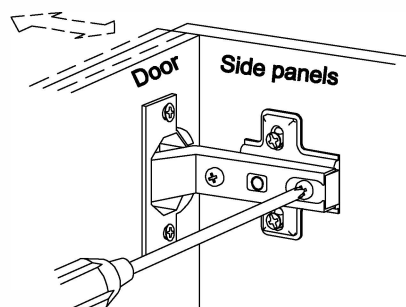
- VII. Power tools should not be used to assemble this product.



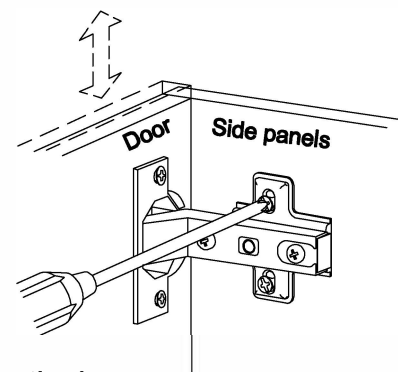
- VIII. Concealed hinges are three-way adjustable.



Horizontal
by screw adjustment

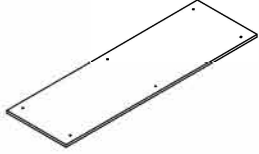
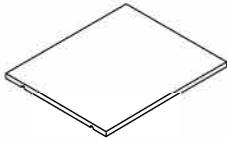

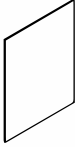

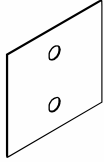
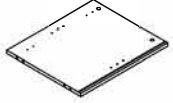
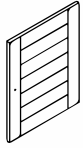
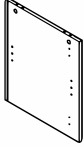

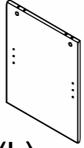

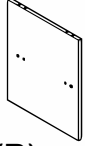

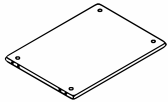
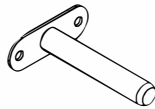


In-and-Out
by loosening the hinge-arm
mounting screw or via cam
adjustment








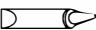











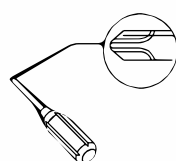
Vertical
Via slots in the mounting
plate or via cam adjustment

COMPONENT PARTS

DESCRIPTION	PART NAME	QTY(PCS)	DESCRIPTION	PART NAME	QTY(PCS)
①	 Shelf	1	⑨	 Shelf	2
②	 Table Top	1	⑩	 Back plane	2
③	 Table Bottom	1	⑪	 Back plane	1
④	 Left side pane	1	⑫	 Door	2
⑤	 Right side panel	1	⑬	 Metal tube	2
⑥	 Middle side panel(L)	1	⑭	 Metal tube	2
⑦	 Middle side panel(R)	1	⑮	 Metal tube	2
⑧	 Shelf	1	⑯	 Metal Leg	1

Hardware List

A		Ø8x30mm	Wooden dowel	20 pcs
B		Ø6x35mm	Cam bolt	12 pcs
C		Ø15x11mm	Cam lock	12 pcs
D			Sticker	12 pcs
E		Ø6x50mm	Screw	8 pcs
F			Hinge	4 pcs
G		4mm	Allen Key	1 pcs
H			Glue tube	1 pcs
I			Handle	2 pcs
J		Ø8x5x16mm	Shelf support pin	8 pcs
K		Ø3.5x14mm	Bolt	16 pcs
L		Ø4x22mm	Screw	2 pcs
M			Plastic wedge	12 pcs
N		Ø3x17mm	Screw	12 pcs
O		Ø1/4"x25mm	Bolt	14 pcs
P		Ø4x30mm	Screw	4 pcs
Q		Ø1/4"x12mm	Bolt	8 pcs

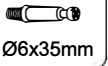


Philips head screwdriver required for assembly
(not included)

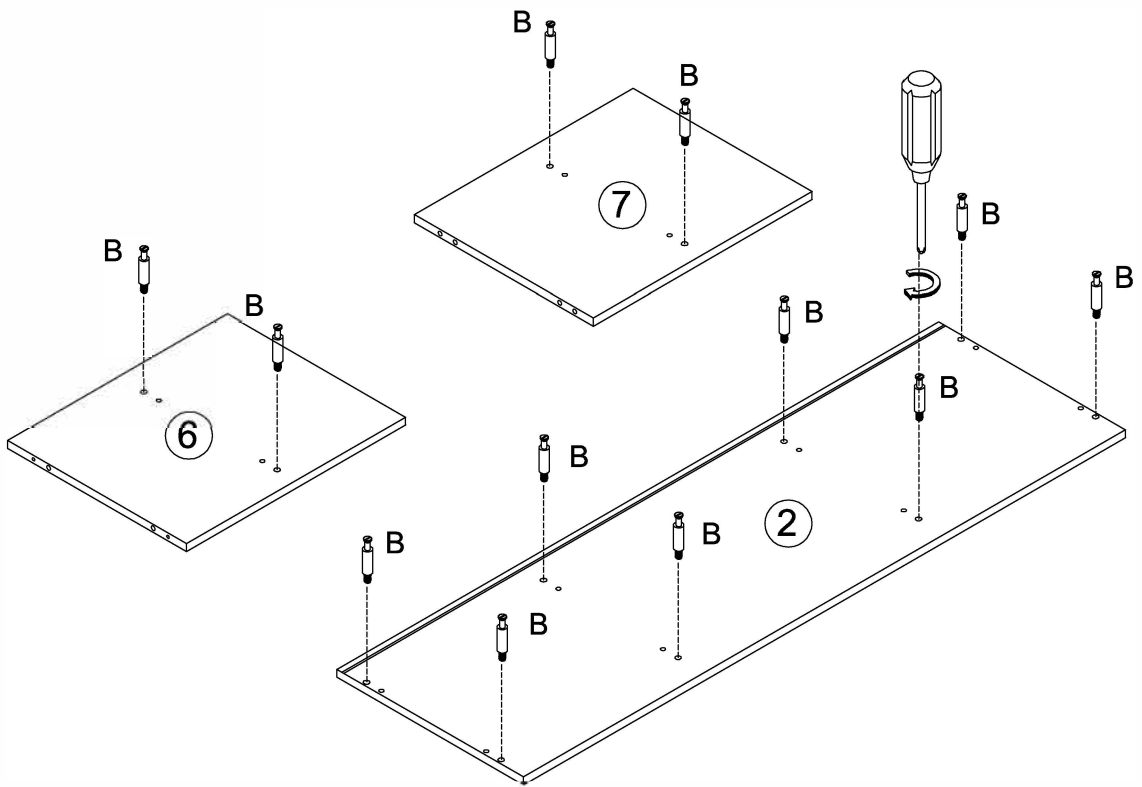
*The hardware quantities listed above are required for proper assembly.
Some extra hardware may also have been included.*

Step 1

B x 12



Ø6x35mm



Step 2

A x 4

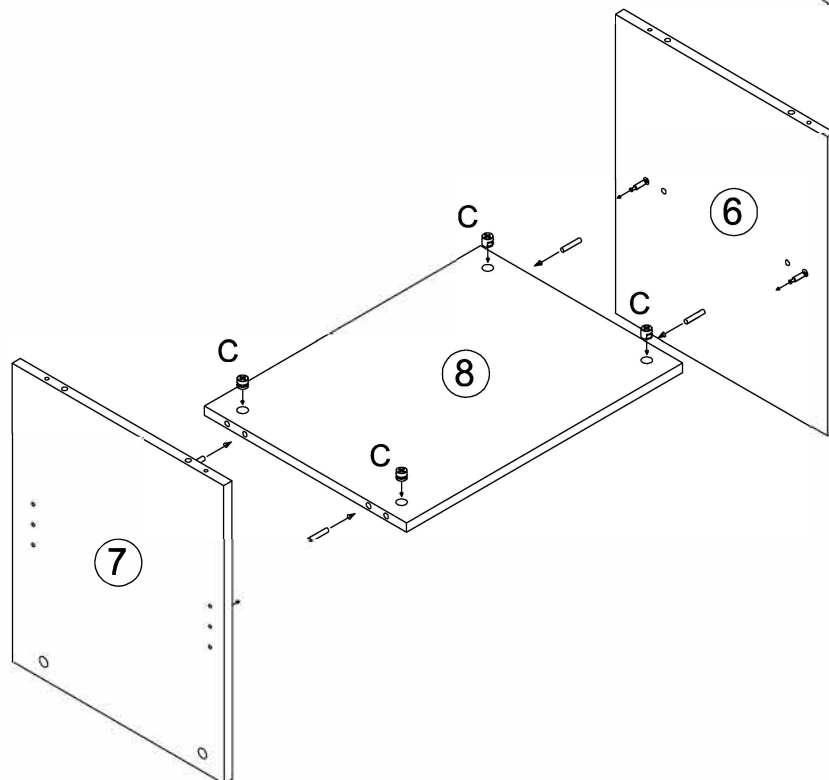


Ø8x30mm



C x 4

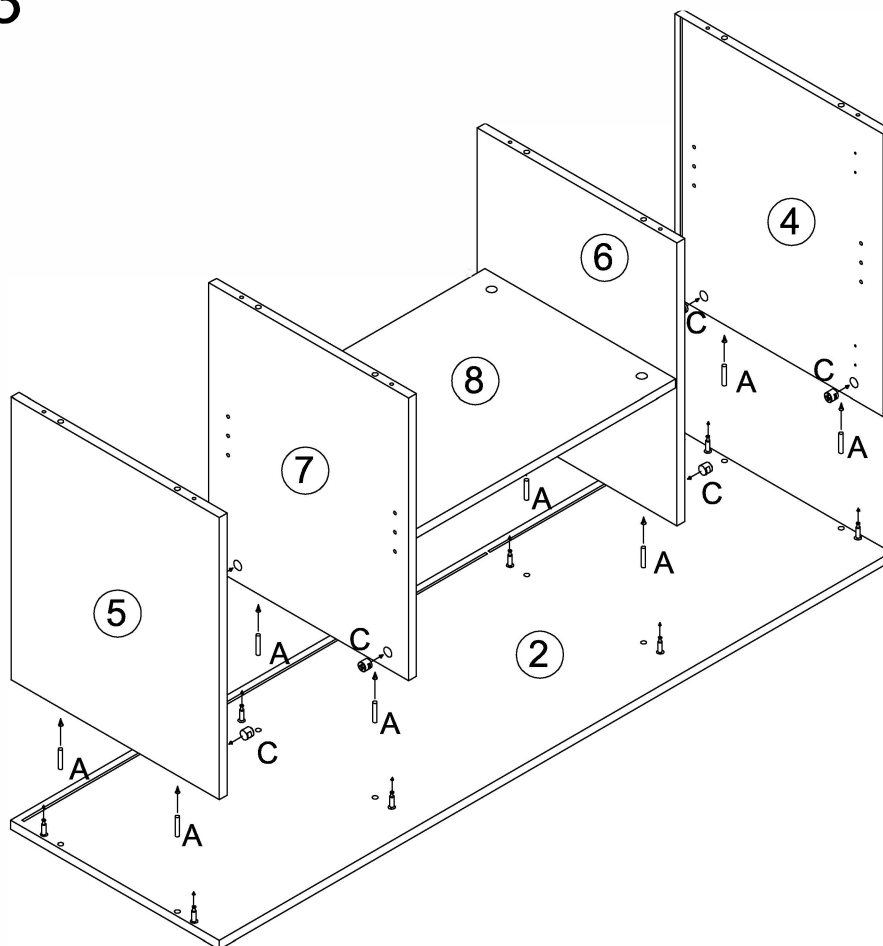


Ø15x11mm

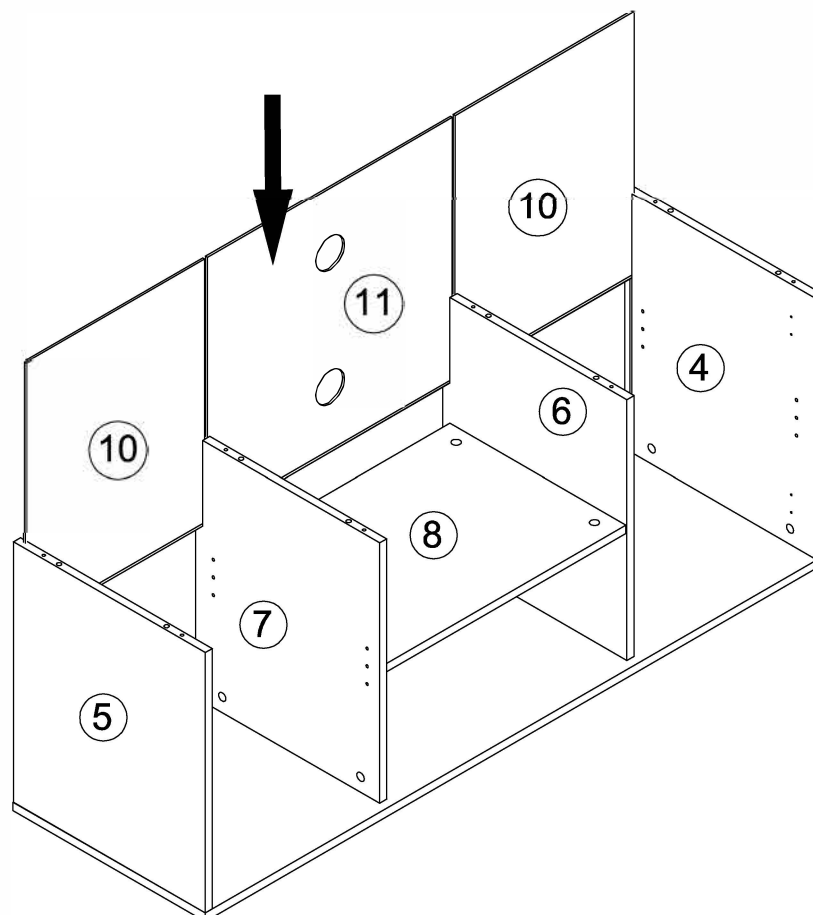


Step 3

A x 8	C x 8
	
Ø8x30mm	Ø15x11mm

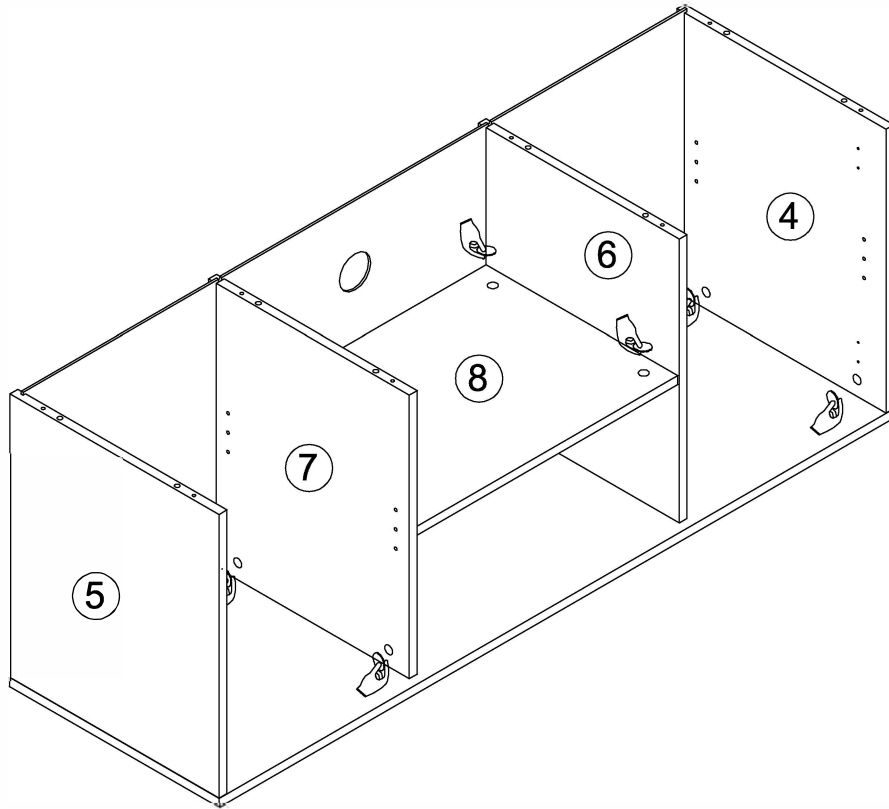


Step 4






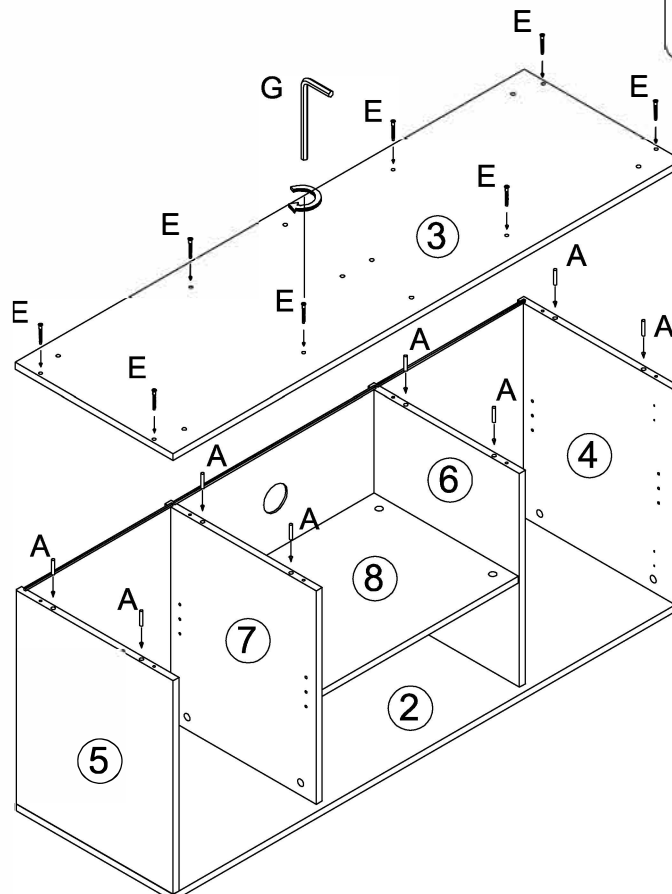
Step 5

D x 12
○





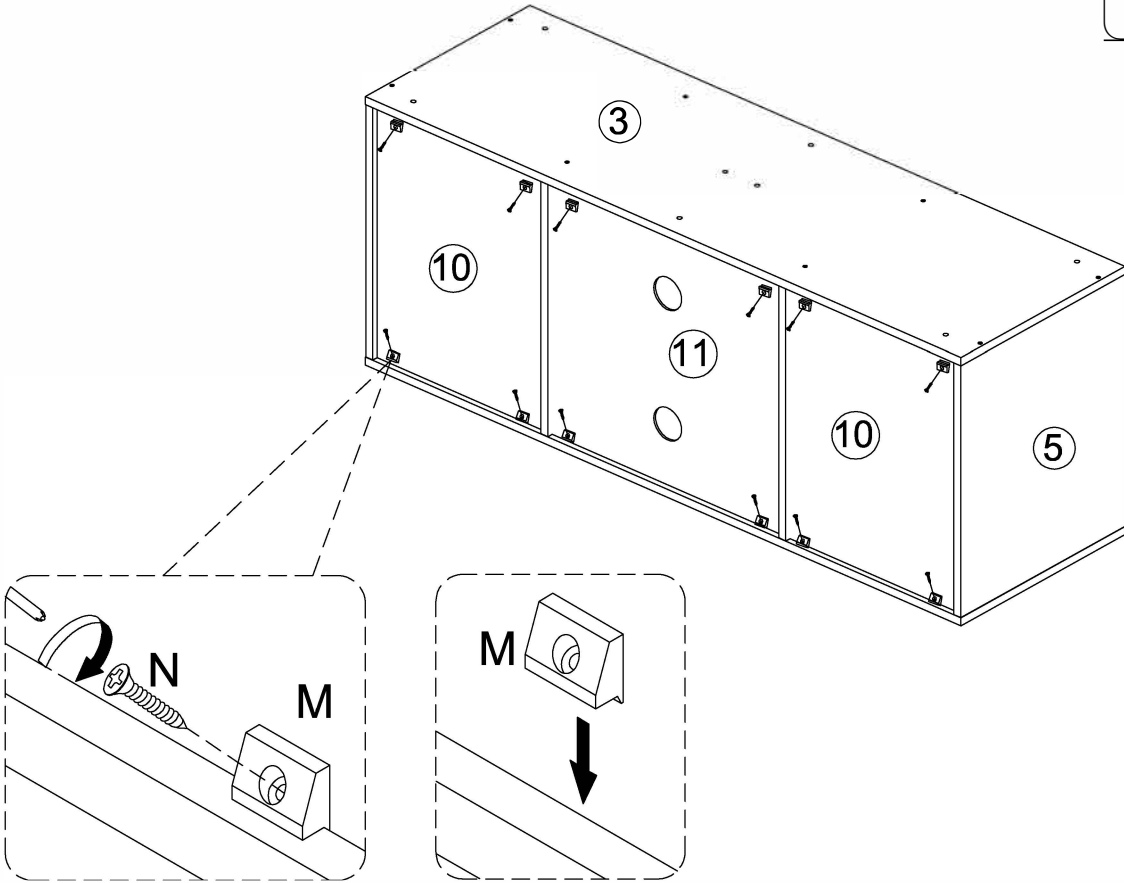
Step 6

A x 8  Ø8x30mm	E x 8  Ø6x50mm	G x 1  4mm
---	---	---





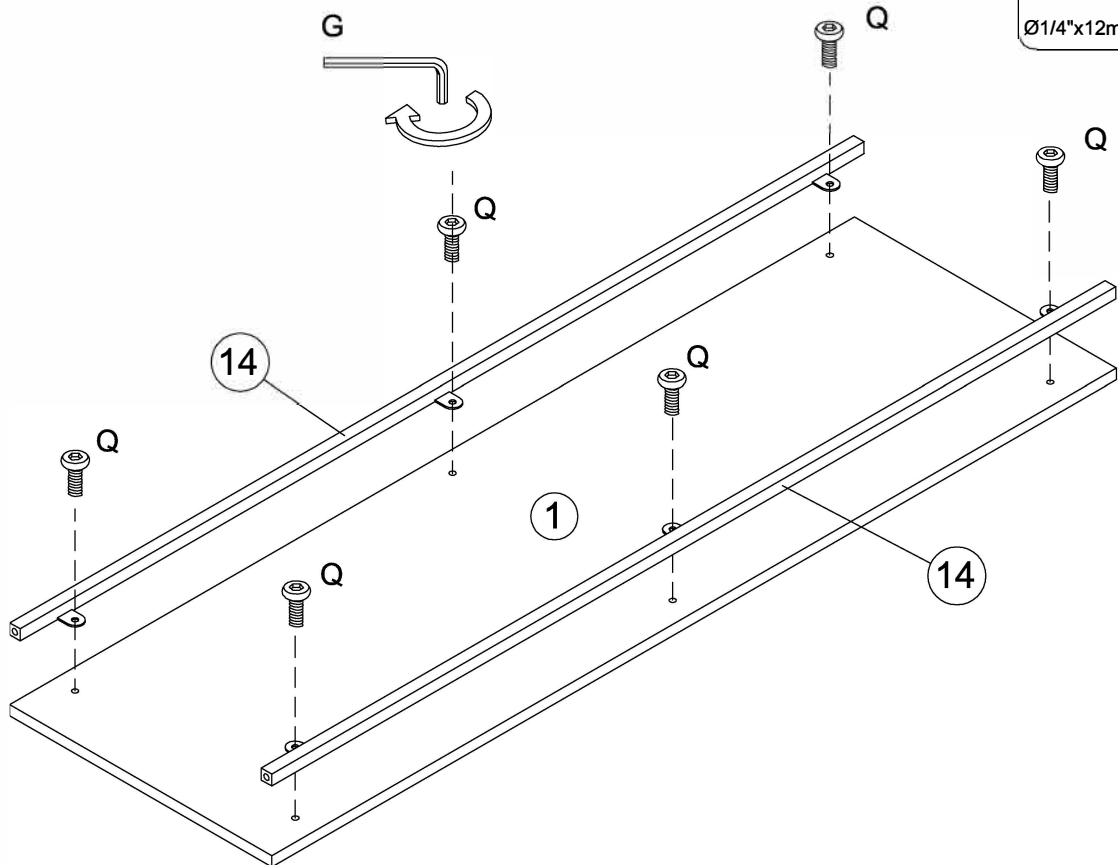
Step 7

M x 12	N x 12
	
	Ø3x17mm





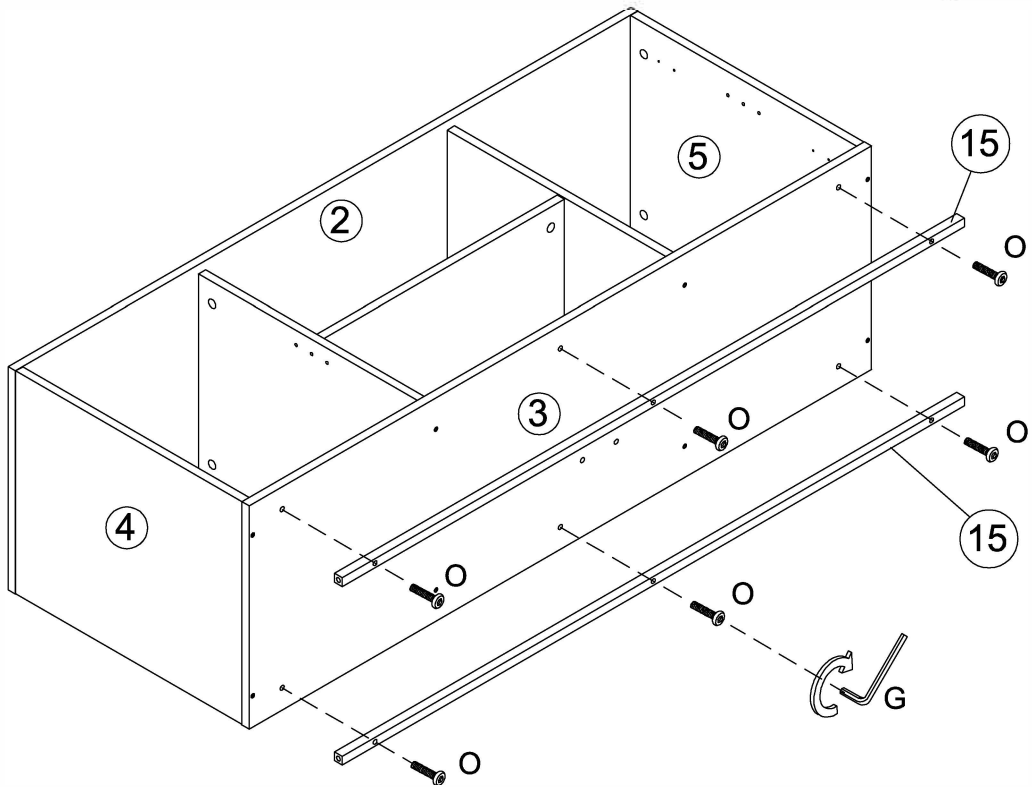
Step 8

Q x 6	G x 1
	
Ø1/4"x12mm	4mm







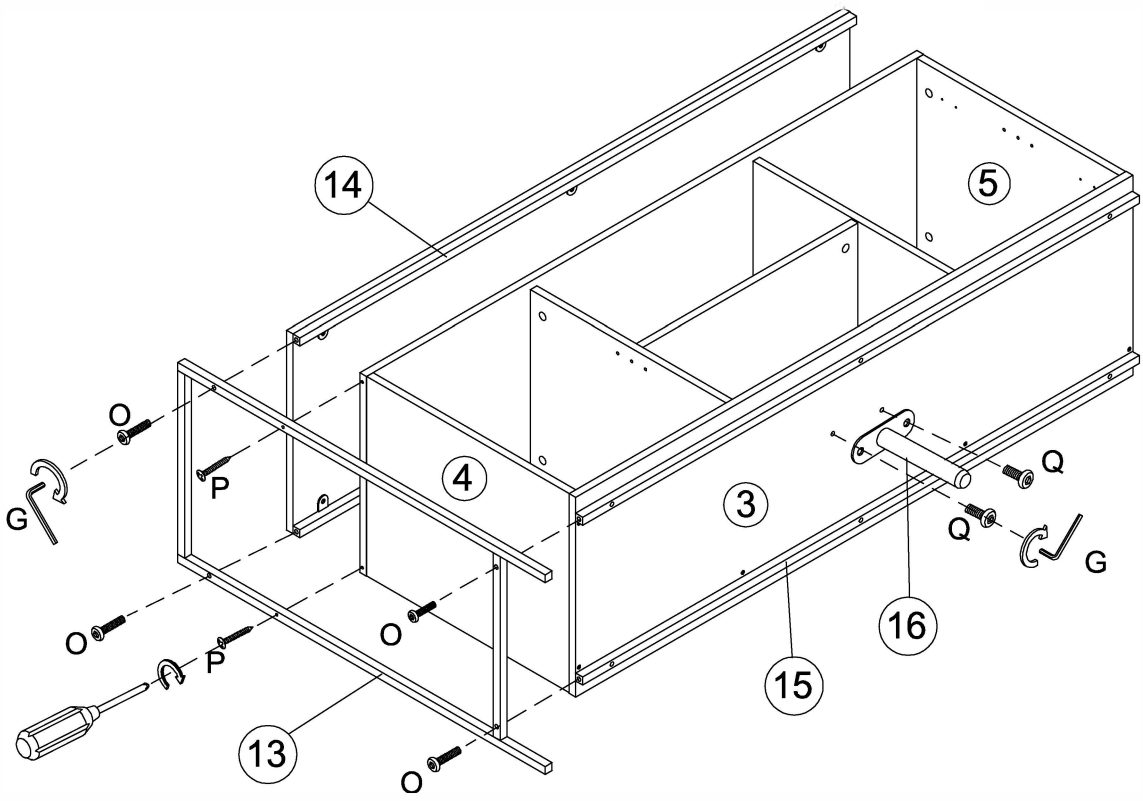
Step 9

O x 6	G x 1
	
Ø1/4"x25mm	4mm






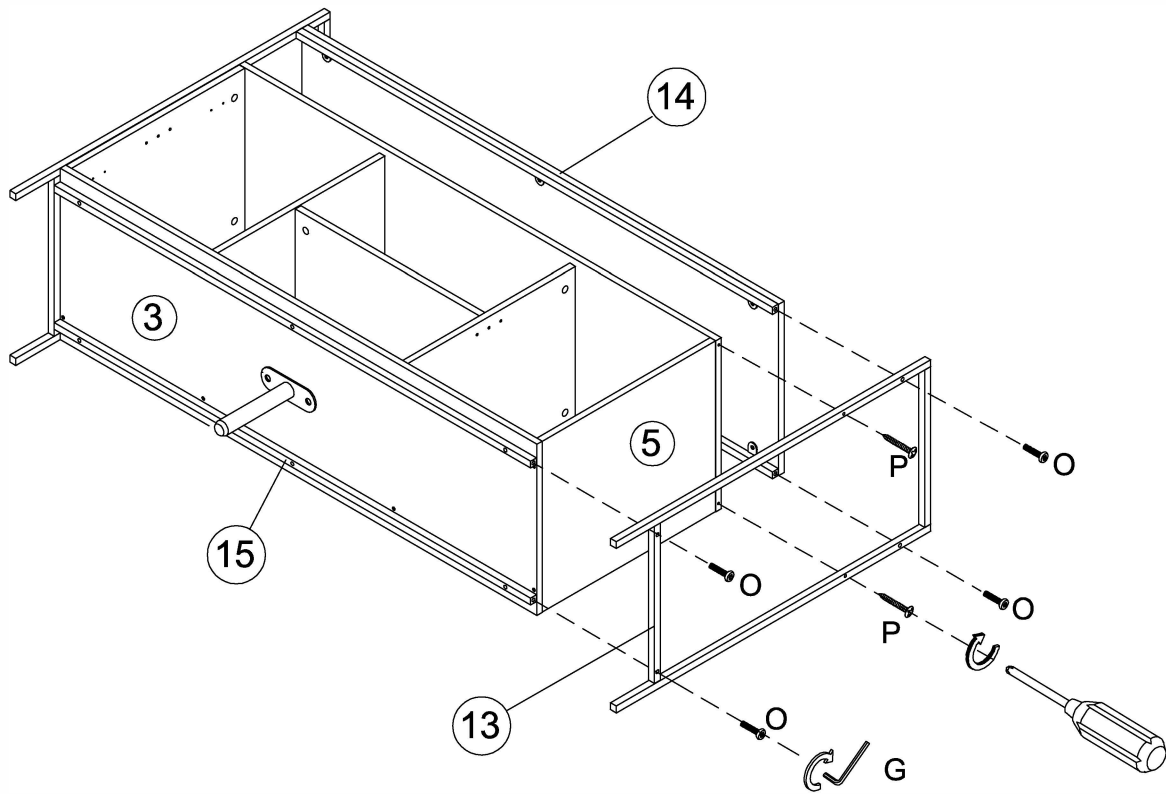
Step 10

G x 1	O x 4	P x 2	Q x 2
			
4mm	Ø1/4"x25mm	Ø4x30mm	Ø1/4"x12mm




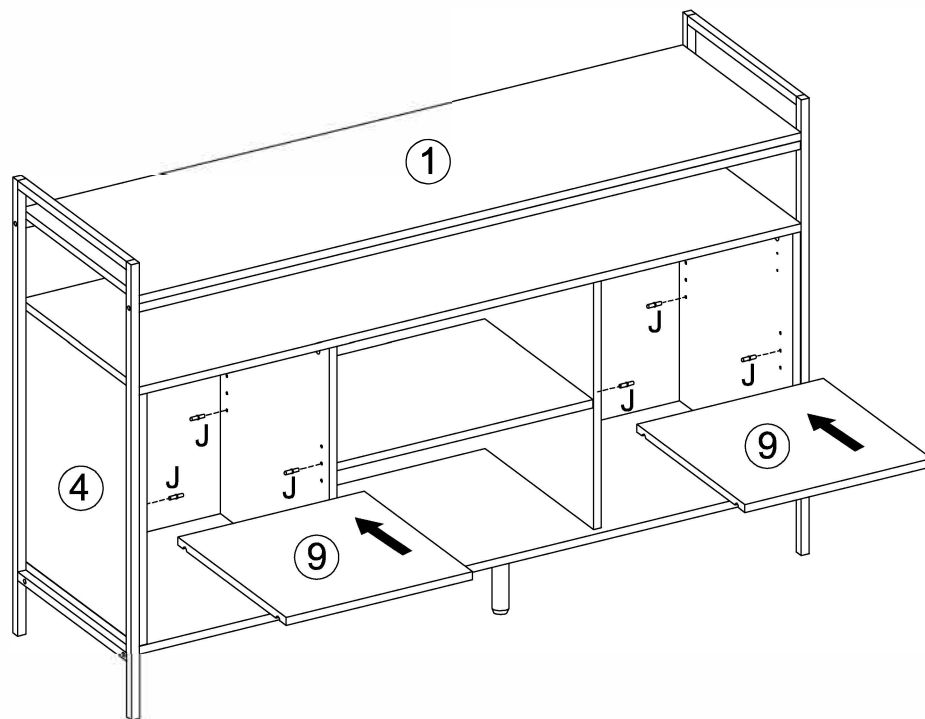
Step 11

G x 1	O x 4	P x 2
 4mm	 Ø1/4"x25mm	 Ø4x30mm

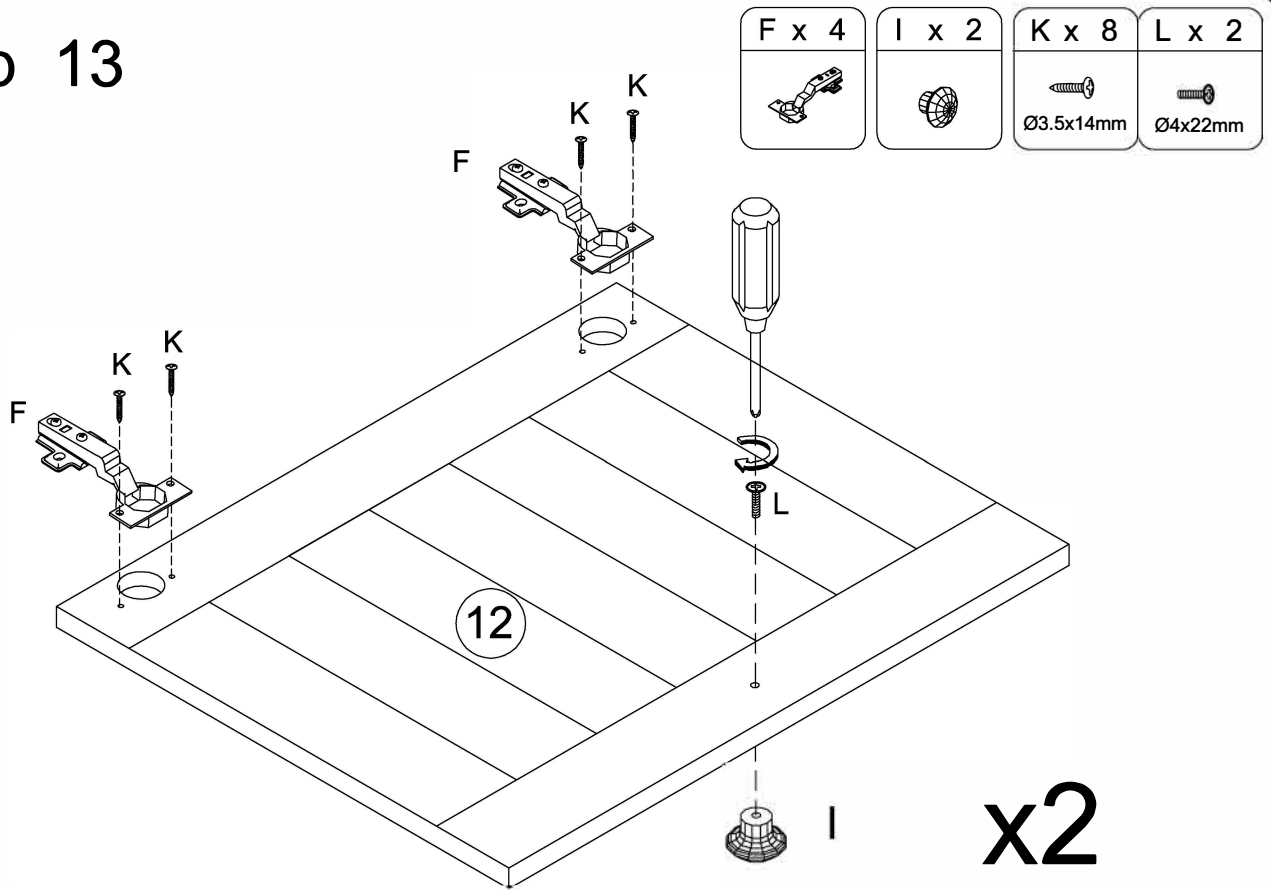


Step 12

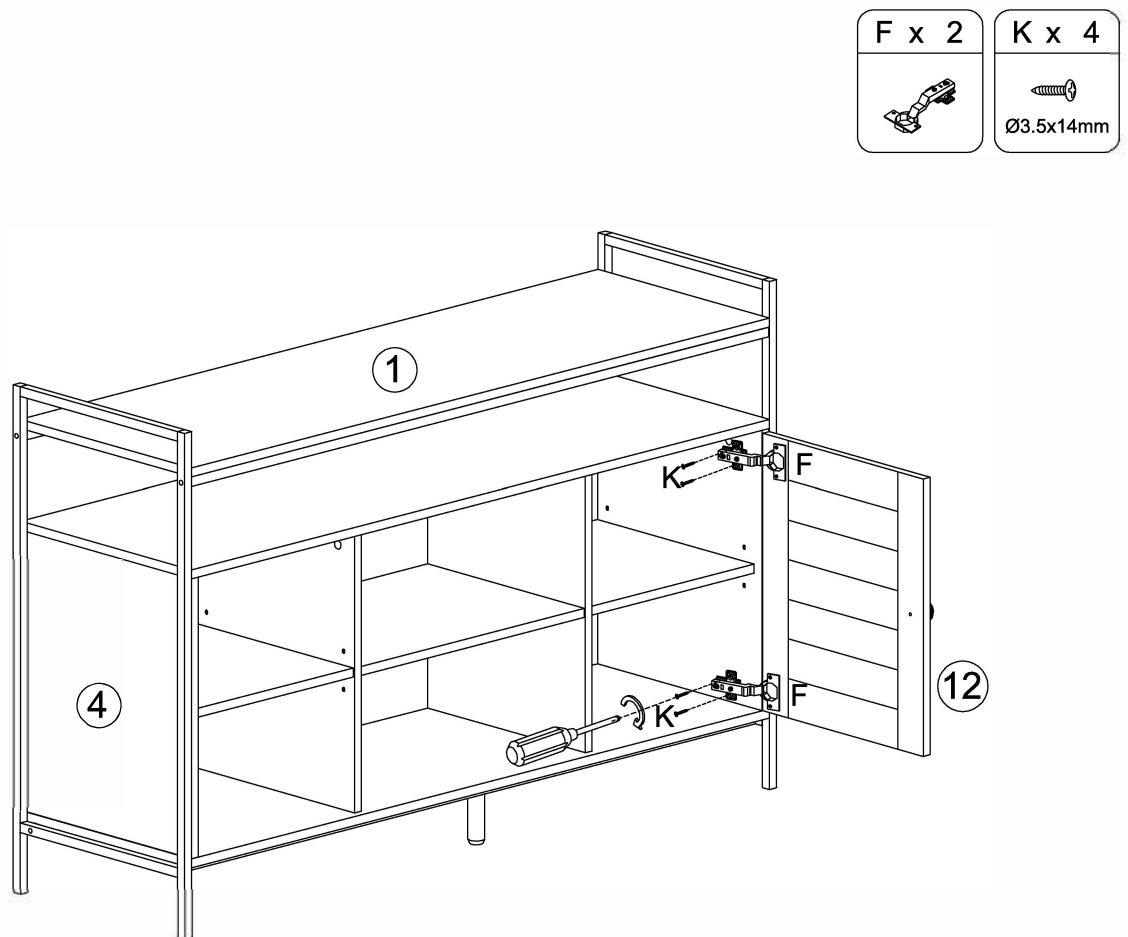
J x 8






Step 13

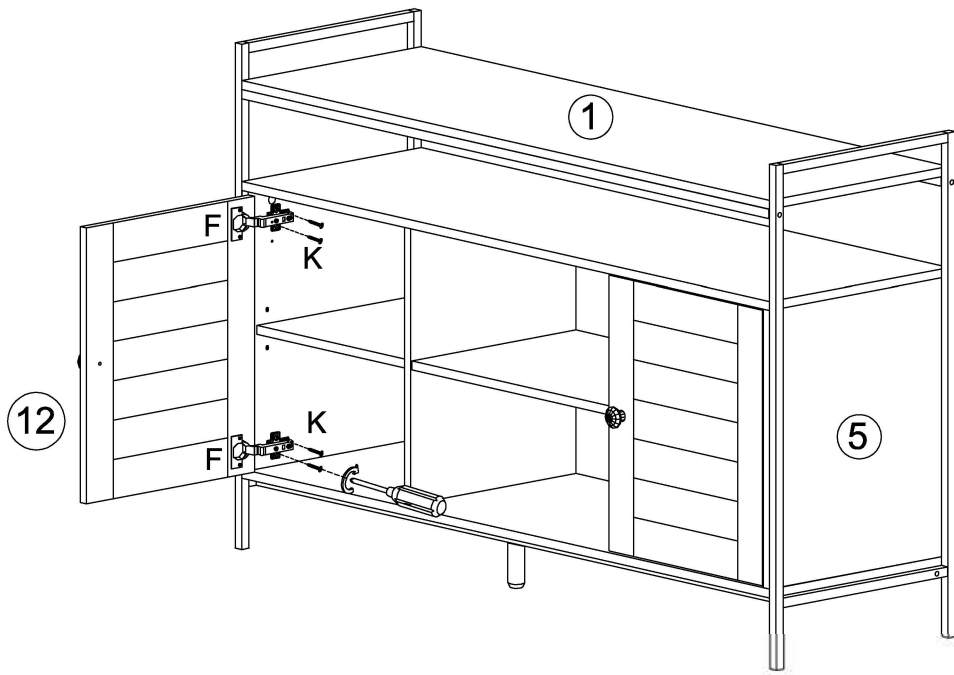


Step 14

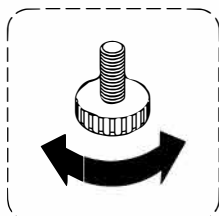
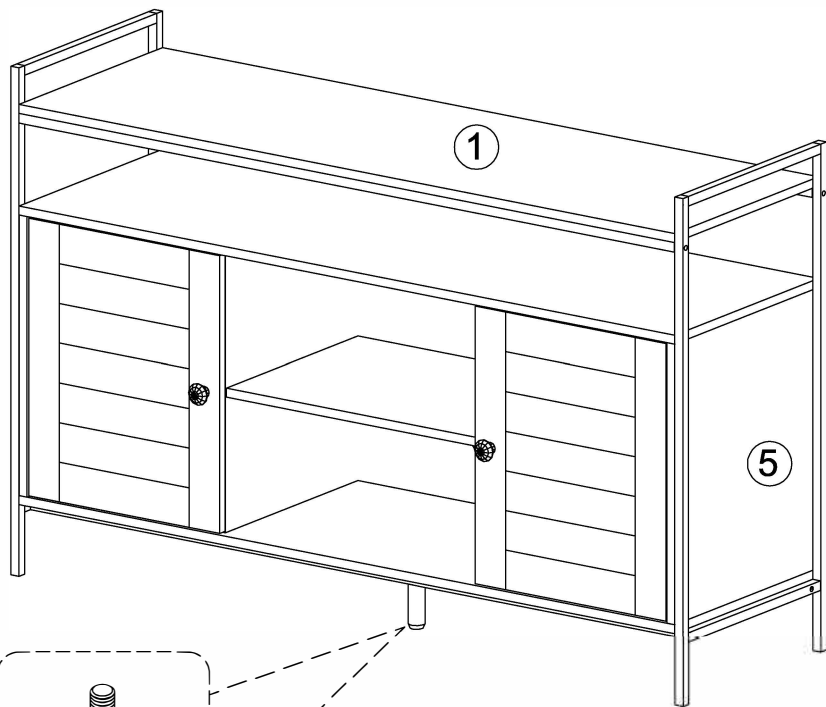


Step 15

F x 2	K x 4
	
	Ø3.5x14mm



Step 16



Step 17

