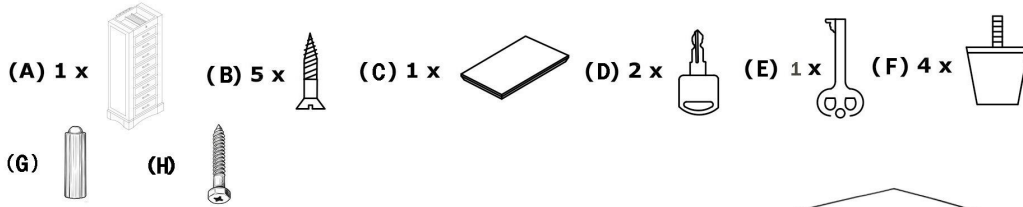


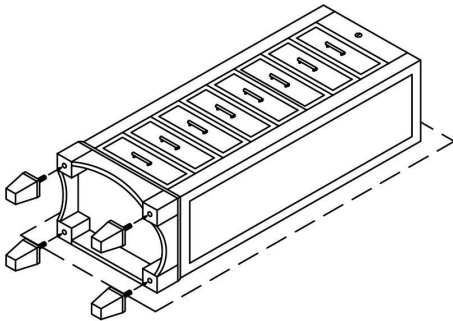
J1257 - Jewelry Armoire assembly and care

PARTS/HARDWARE



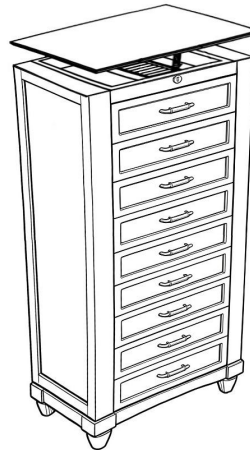
ASSEMBLY

(1) A, F,



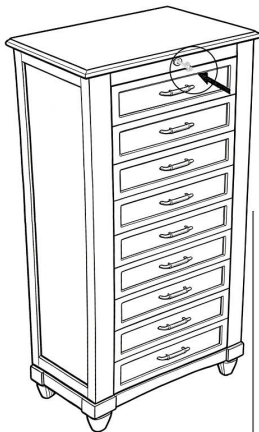
(2) C, A

Before screwing the top. Align first the top to its corresponding Lock key hole as illustrated.



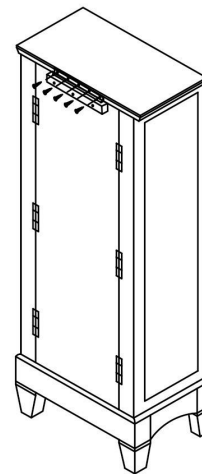
(3) E

Secure to Lock the top using a provided key (E) just to ensure matching the key hole

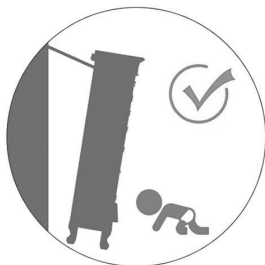


(4) B, C

Then secure the top using 5 screws



(6) G, H
Screw-secured safety rope



(5)
Anti-Fall Rope

