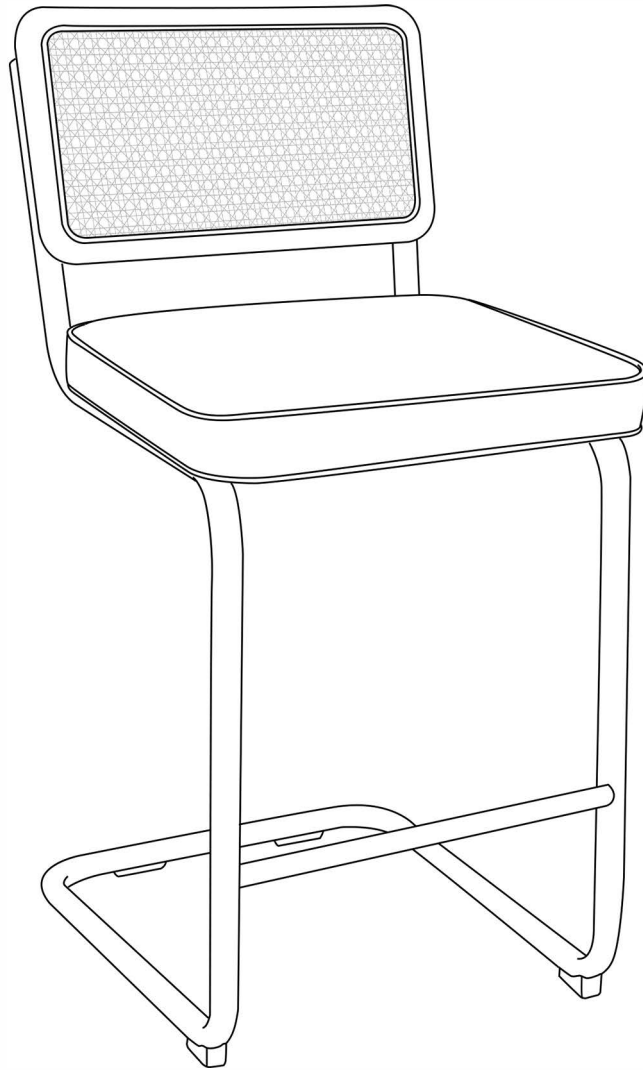


# BAR STOOL

## ASSEMBLY INSTRUCTIONS



**Need help? Contact us through the shopping platform.**

**HALF HOUR**  
ASSEMBLY TIME

**2 PEOPLE**  
REQUIRED FOR ASSEMBLY

**1 X 1 M**  
FLOOR SPACE REQUIRED

## INSTALLATION SUGGESTIONS

PLEASE READ ALL THE INSTRUCTIONS CAREFULLY BEFORE ASSEMBLING AND USING THE PRODUCT.

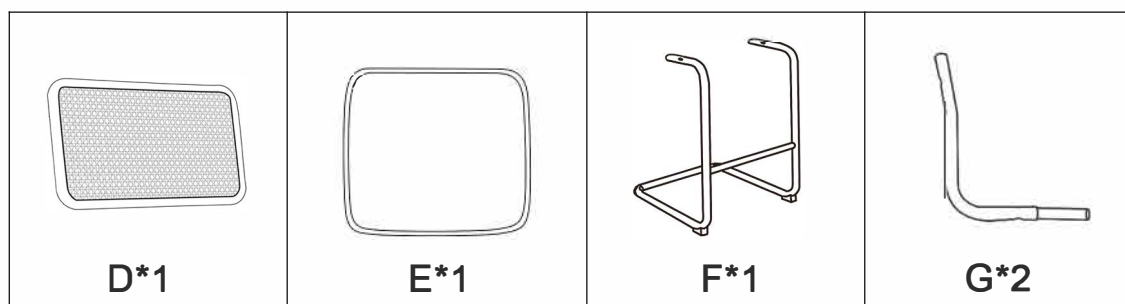
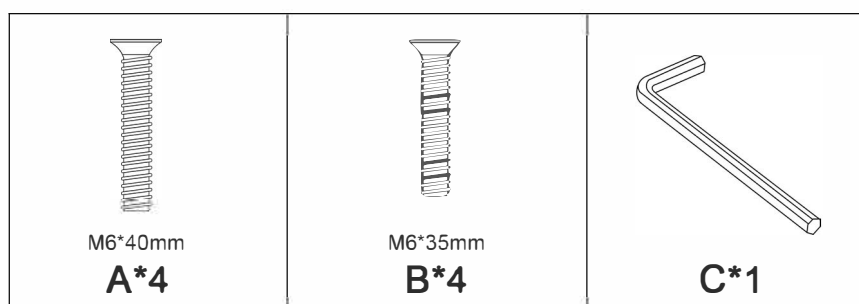
1. Please check whether all parts are complete according to the installation instructions.
2. Please ensure that the installation space is clean and flat to avoid dirt and damage to the product parts.
3. In each step, do not tighten bolts/screws completely until all bolts/screws are lined up and tightened 70% separately. Do not over tighten bolts/screws to avoid stripping.
4. We recommend that all assembled parts should be placed near the assembly location to avoid loss or forgetting while assembling.

## TIPS FOR GIVING FEEDBACK

Please provide helpful information. We will give you feedback within 24h.

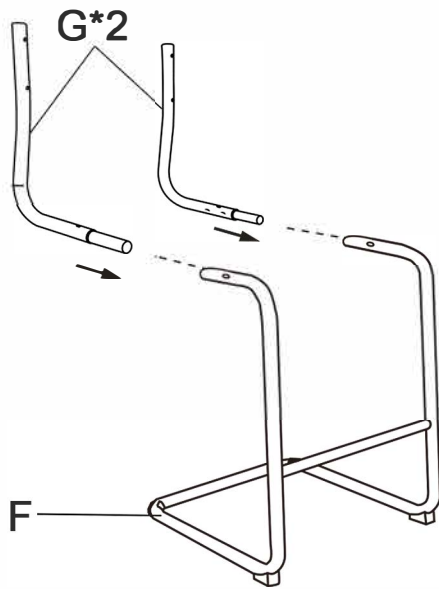
1. Describe your problem in detail and explain it with some clear multi-angle photos of the problem area.
2. Send your order ID and the letter number and quantity of the part in question from the parts list.
3. A clear photo of the side of the box that has the product information or the label on the bottom of the cushion.

## PARTS AND HARDWARE LIST

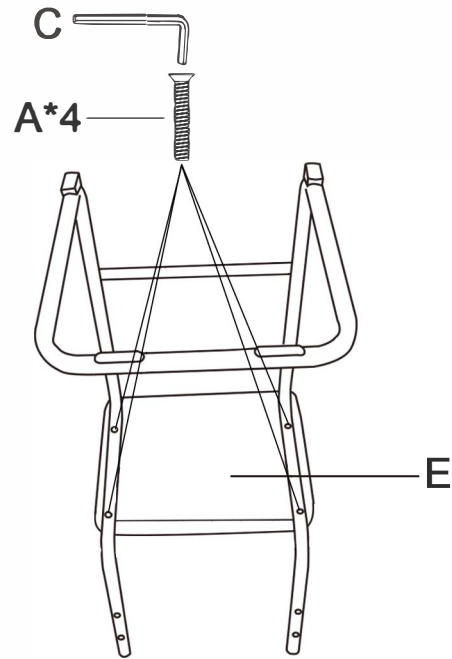


## ASSEMBLY STEPS

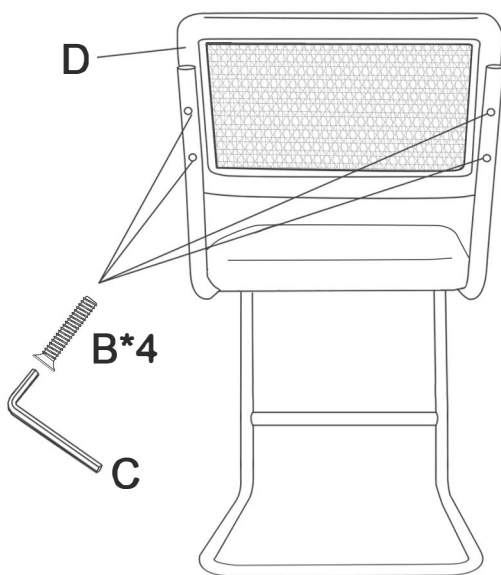
**Assembly tip:** Just tighten the screws to 70% before all of them are aligned. After all the screws are aligned, tighten the remaining parts.



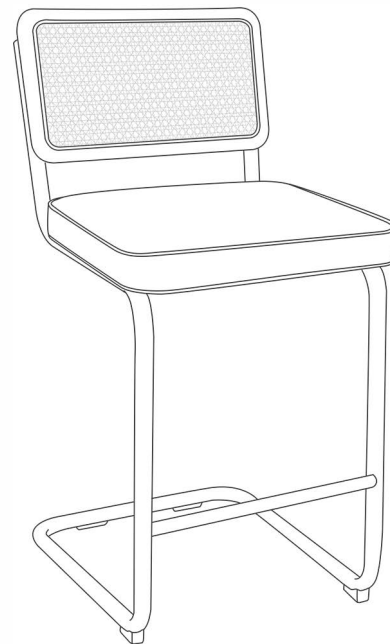
**STEP 1.**  
Insert frame parts (G\*2) into the hole of part (F) as shown.



**STEP 2.**  
All screws (A\*4) are lined up and inserted into the holes, then tighten the screws one by one to secure the seat part (E) to the metal unit part (G\*2) and part (F) as shown.



**STEP 3.**  
All screws (B\*4) are lined up and inserted into the holes, then tighten the screws one by one to secure the backrest part (D) to the metal unit part (G\*2) as shown.



**STEP 4.**  
Congratulations ! You have possessed an exquisite bar stool.

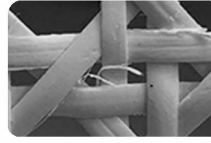
## IMPORTANT NOTICE



Uneven Color



Splicing



Burrs

1. There will be slightly different shades of color on the surface for natural rattan products.
2. You may see a few burrs caused by fiber characteristics of rattan.
3. Splicing marks will inevitably appear during the weaving process for the length limitation.

Noticed that the above-mentioned issues are Non-quality problems. We will strive to reduce these issues in production, natural rattan exactly makes each of our products unique rather than plastic rattan!

## RATTAN BACK MAINTENANCE

1. Dust the furniture gently and regularly with soft cloth.
2. Avoid prolonged sun exposure and excessive humidity.
3. Vacuum rattan furniture with the brush attachment.
4. Use damp cloth with a mild furniture cleaner, but not to soak it.
5. Treat the rattan with tung or boiled linseed oil and raise the humidity level of the space.

## FABRIC MAINTENANCE TIPS

Stripe in the fabric? This can be caused by the pressure exerted on the fabric by the packaging. Fortunately, you can easily solve this yourself by steaming the fabric (use your **steam iron**, for example) or by spraying it with moisture. Then you can brush the fabric with a **clean soft brush**. The piles of the fabric will be repaired in this way!

