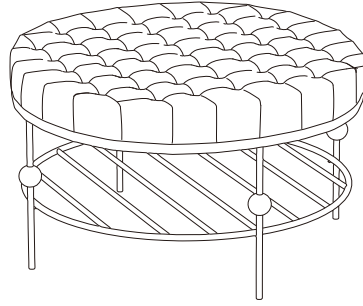
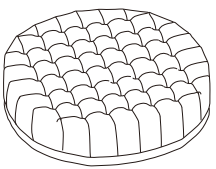
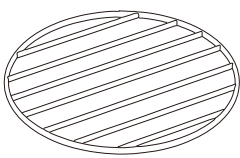



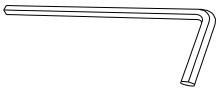


ASSEMBLY INSTRUCTION

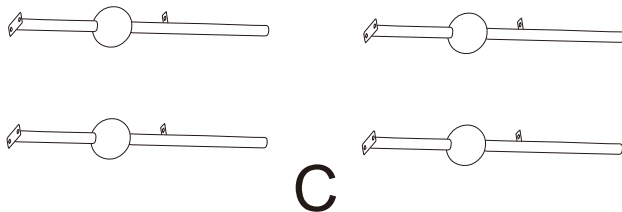
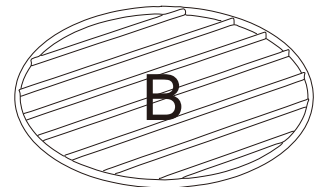
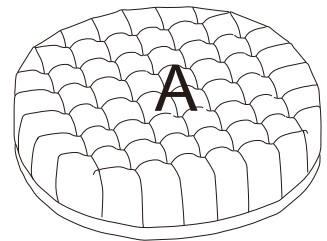
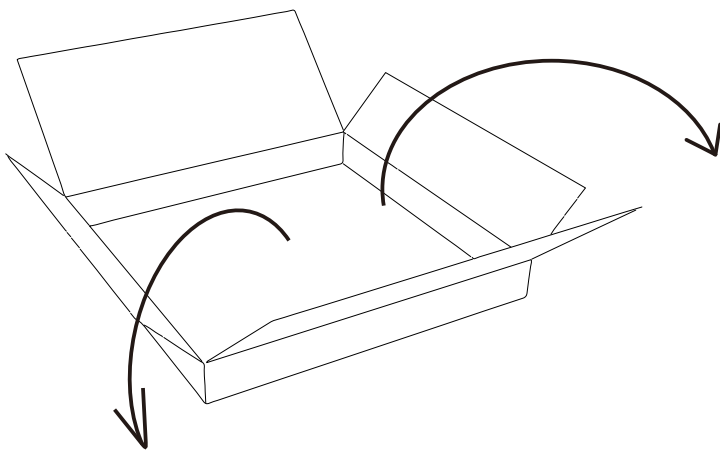


PARTS LIST

 <p>A Cushion x1</p>	 <p>B x1</p>	 <p>C x4</p>	
 <p>1 $\phi 4/1*12\text{mm}$ x12</p>	 <p>2 x12</p>	 <p>3 x1</p>	

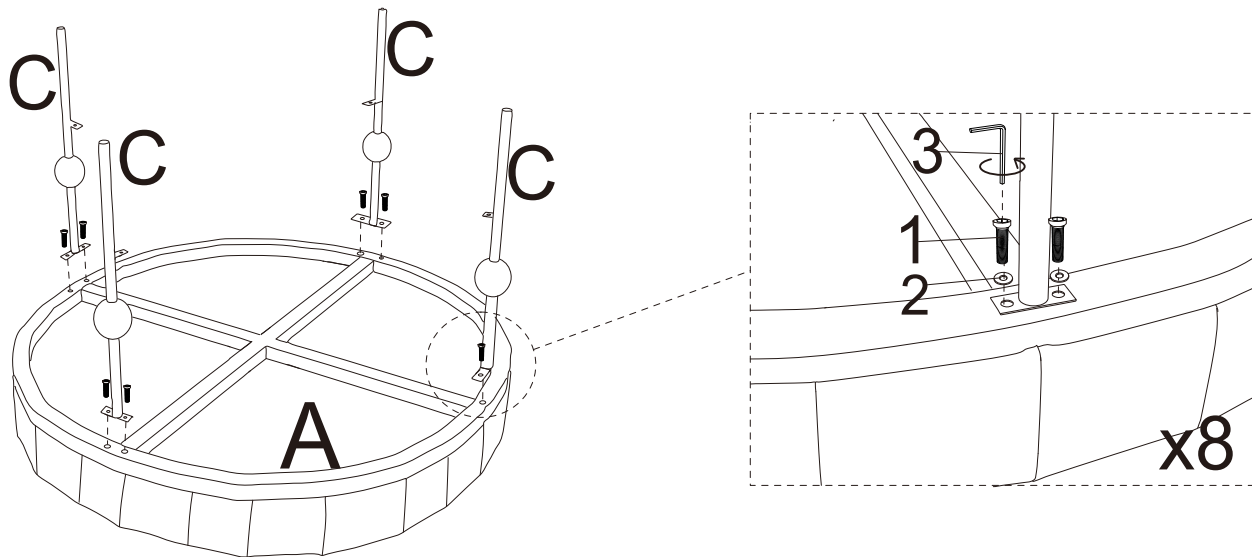
ASSEMBLY INSTRUCTION

Step1



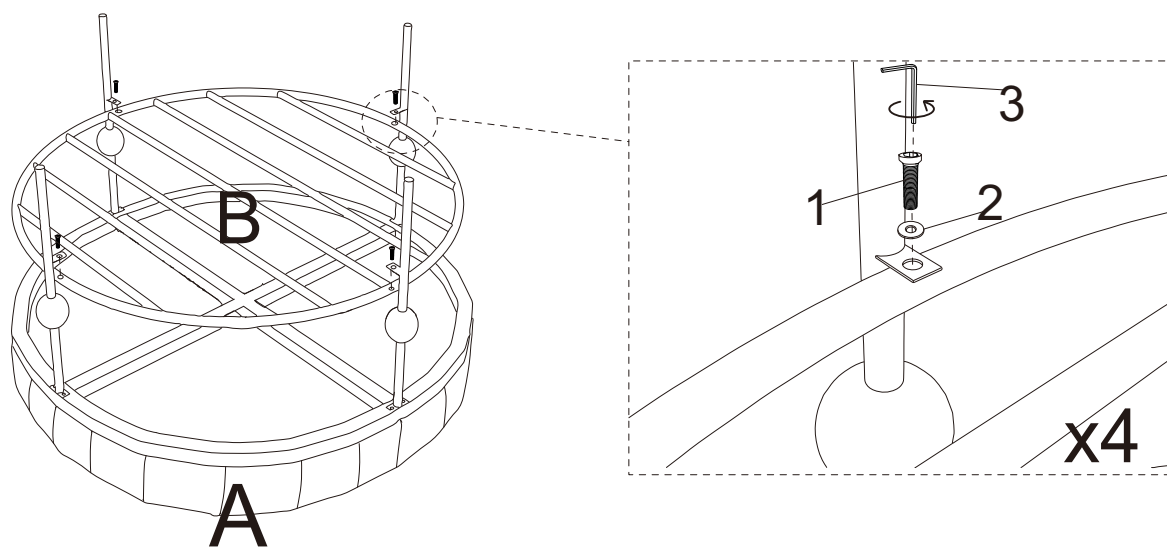
ASSEMBLY INSTRUCTION

Step2



Please note that do not tighten all the screws before parts are in place.

Step3



Please note that do not tighten all the screws before parts are in place.

Step4

