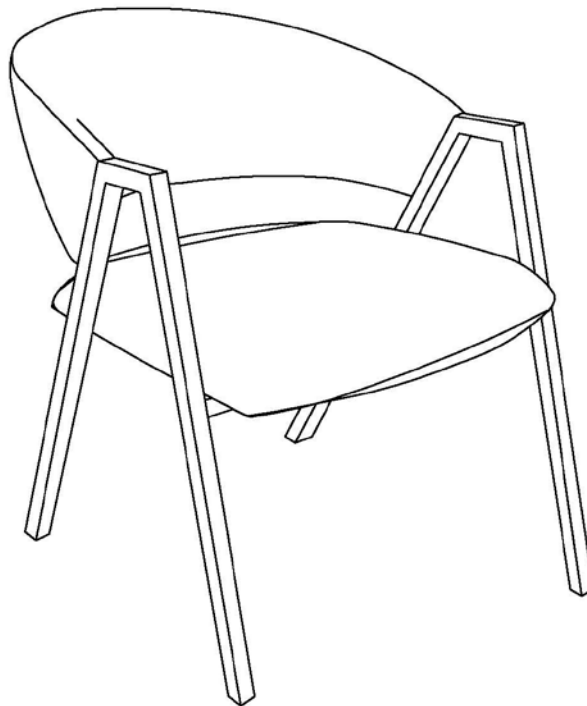


Assembly Instructions



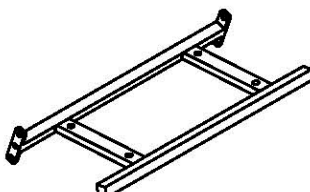
Caution: You must read this before you proceed

Dining Chair

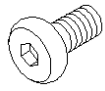
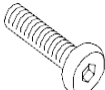
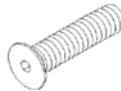


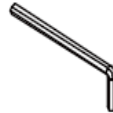


Part List

Label	Picture	Description	QTY
A	A line drawing of the backrest part, showing its curved shape and the attachment points for the legs.	Backrest	1
B	A line drawing of the chair seat part, showing its curved shape and the attachment points for the legs.	Chair Seat	1

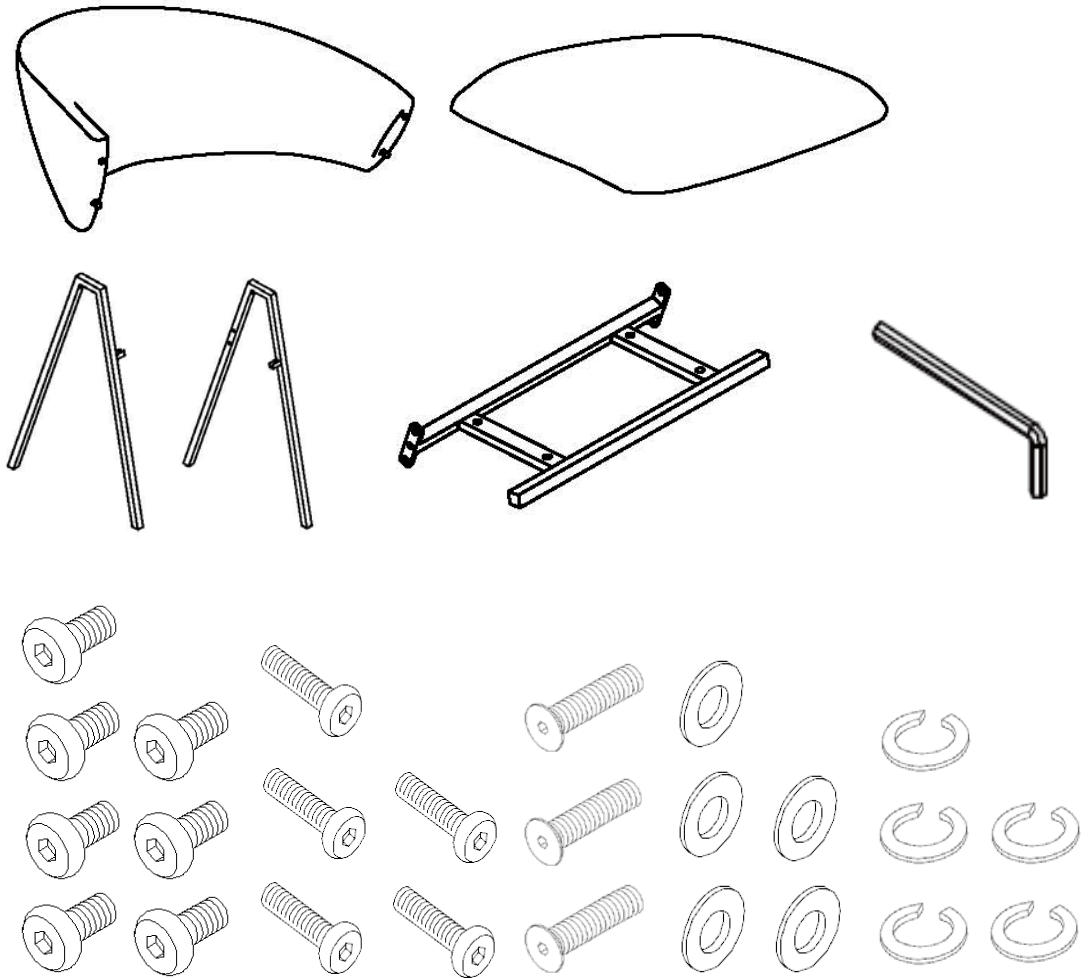
C		Left Metal Tube (with Pre-installed levellers)	1
D		Right Metal Tube (with Pre-installed levellers)	1
E		Top Connecting Tube	1

Hardware

Label	Picture	Description	QTY
①		Bolt (M6*15mm)	7
②		Bolt (M6*32mm)	5
③		Bolt (M6*32mm)	3
④		Washer	5
⑤		Spring Washer	5
⑥		Allen Key	1

Assembly Preparation

Before
Beginning
Assembly:



- Read instructions, cover to cover-



- Have 2 adults on hand for assembly-



- Do not assemble on flooring or carpet-



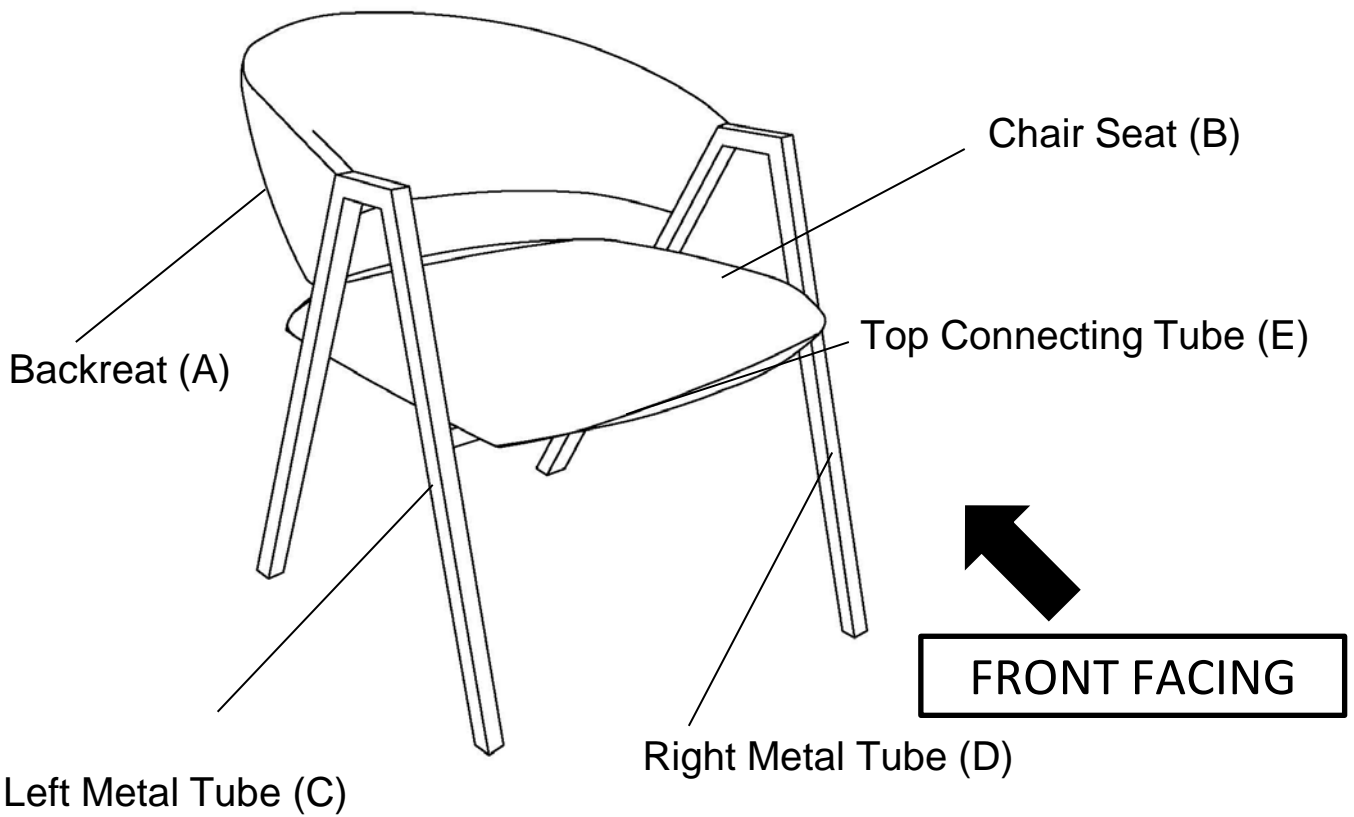
- Assemble on a clean non-marring surface (packing foam)-



- Save all packaging until finished-

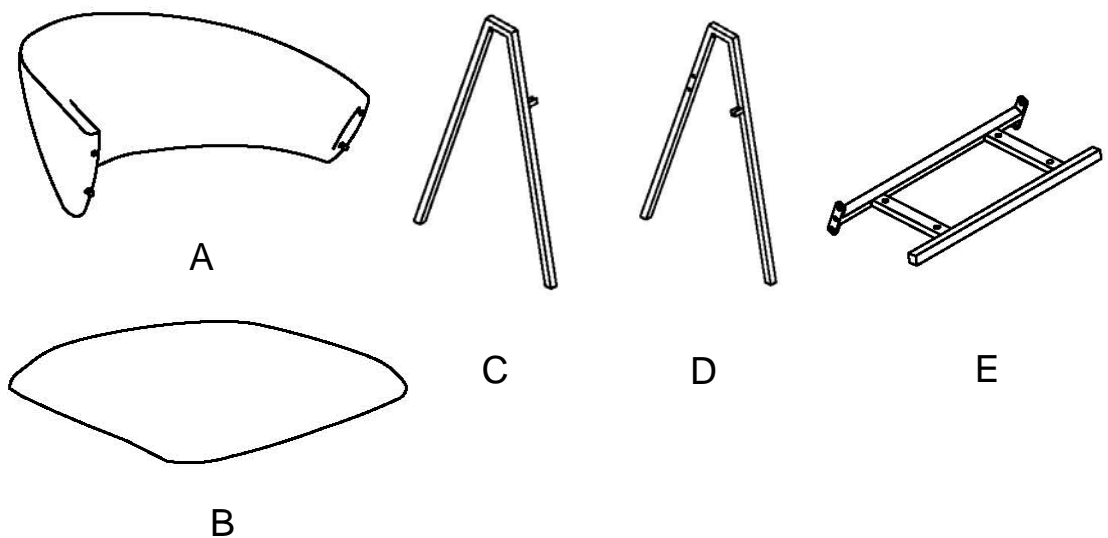
Assembly Steps

Overview



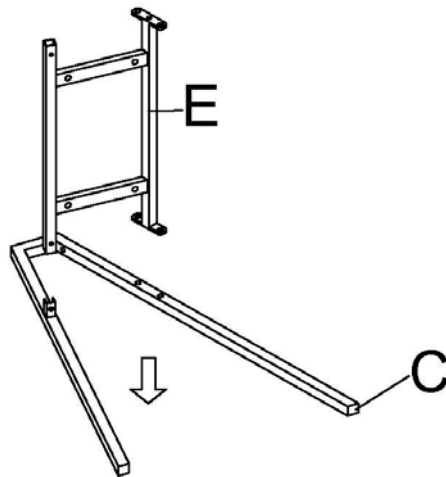
This Dining Chair has multiple parts and may require up to 30 minutes to assemble. To give you an overview of the Dining Chair, the above picture is to help you put the various parts into perspective. Please read through the instructions below to familiarise yourself with the parts and steps before assembly.

Step 1

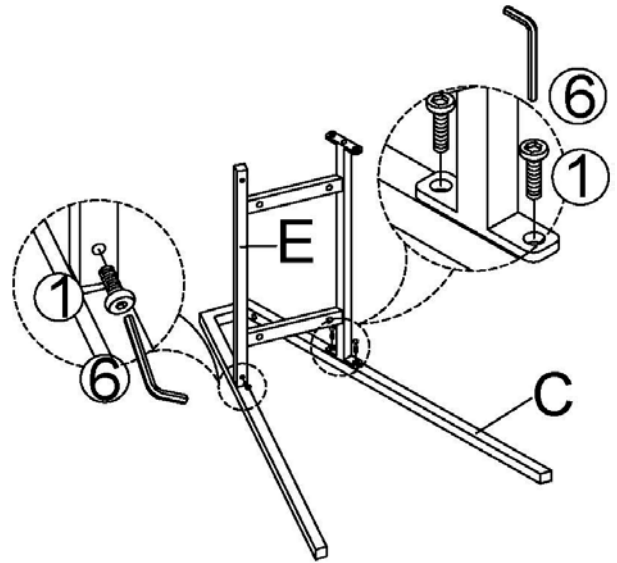


Place the Backrest(A), Chair Seat(B), Left Metal Tube(C), Right Metal Tube(D) and Top Connecting Tube(E) on a clean, non-marring surface.

Step 2



2.1



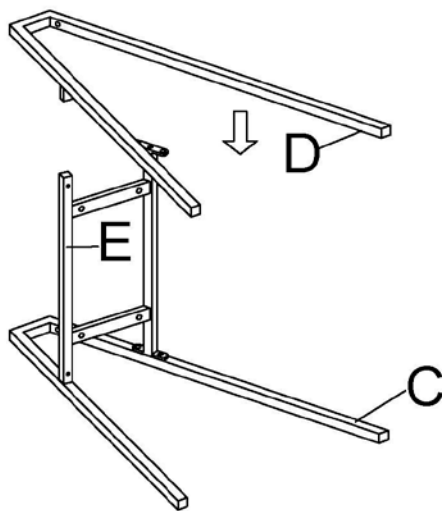
2.2

2.1) Insert the Top Connecting Tube(E) into Left Metal Tube(C) as shown above.
2.2) Attach the Top Connecting Tube(E) to Left Metal Tube(C) using Bolts(①) with Allen Key(⑥).

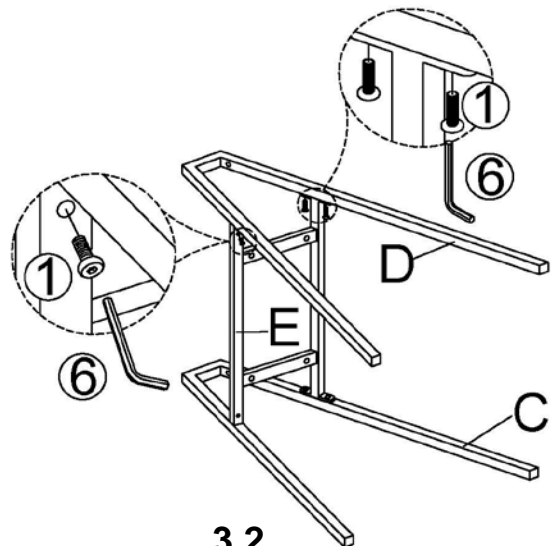
Do not fully tighten the Bolts.

You should have an adult partner assist with this process.

Step 3



3.1



3.2

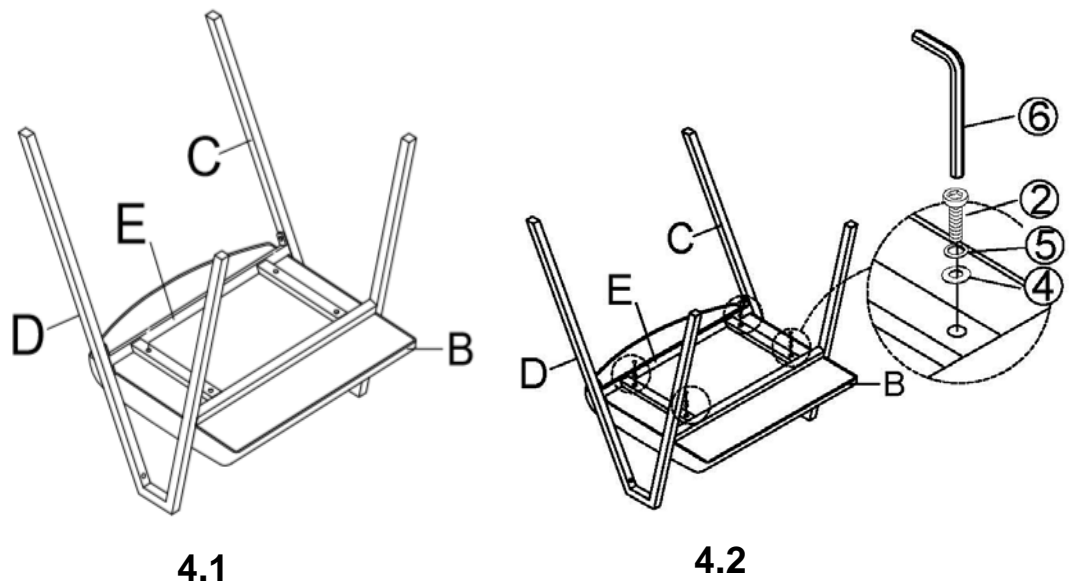
3.1) Insert the Right Metal Tube(D) into the Top Connecting Tube(E) as shown above.

3.2) Attach Right Metal Tube(D) to the Top Connecting Tube(E) using Bolts(①) with Allen Key(⑥).

Do not fully tighten the Bolts.

You should have an adult partner assist with this process.

Step 4



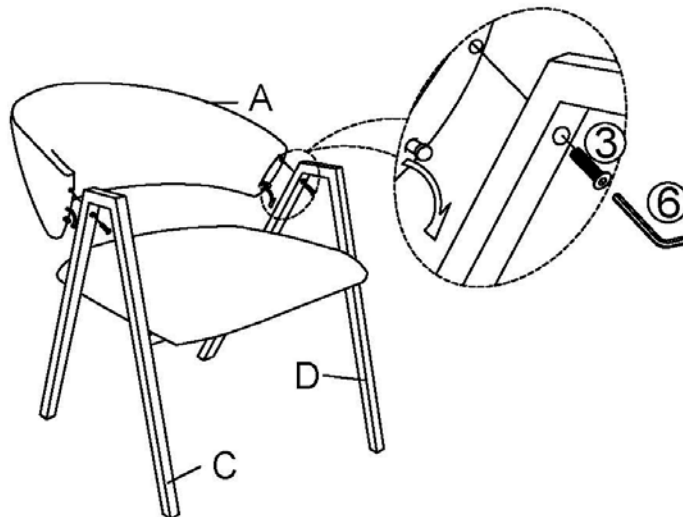
4.1) Place Dining Chair frame facedown, then align the Top Connecting Tube(E) to Chair Seat(B) as shown above.

4.2) Attach Top Connecting Tube(E) to Chair Seat(B) using Bolts(②), Spring Washers(⑤), and Washers(④) with Allen Key(⑥).

Do not fully tighten the Bolts.

You should have an adult partner assist with this process.

Step 5

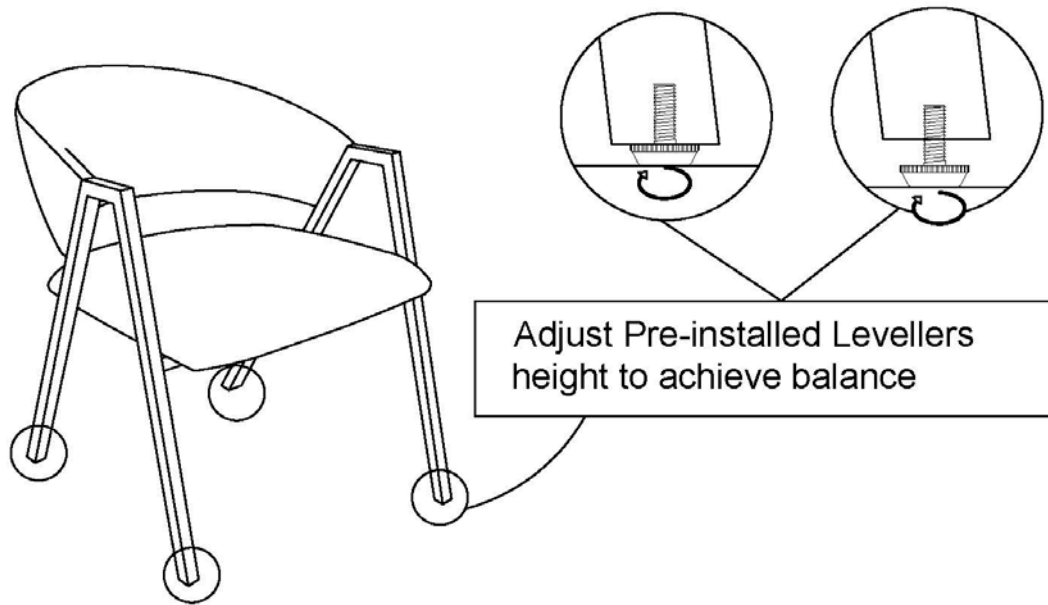


Attach Backrest(A) to Right Metal Tube(D) and Left Metal Tube(C) using Bolts(③) with Allen Key(⑥).

Do not fully tighten the Bolts.

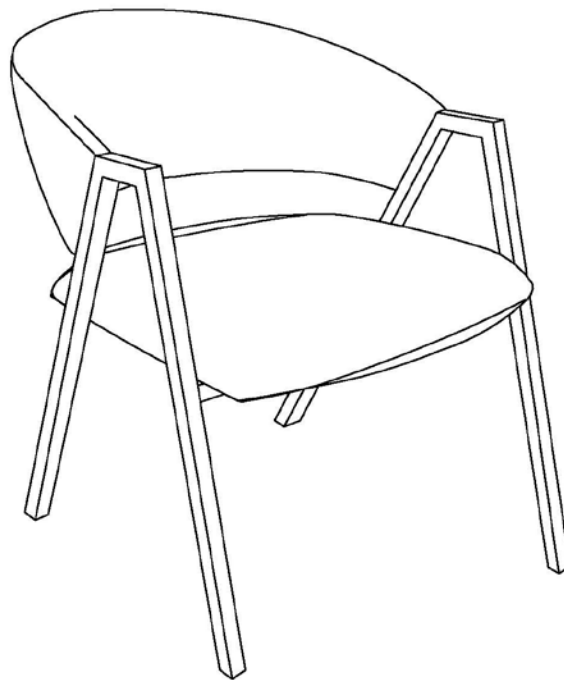
You should have an adult partner assist with this process.

Step 6



Adjust the Pre-installed Levellers at the bottom of the Right Metal Tube(D) and Left Metal Tube(C) until the Dining Chair is level with the ground.





















Step 7



Inspect and make sure all parts are connected and fully secured into position.
Your Dining Chair ready for use.

This Dining Chair can only be used on a flat, level surface.

Care & Maintenance

-   • Do not put hot items directly on furniture surface
 -   • Do not clean furniture with harsh cleansers or polish.
 -   • Do not place furniture under direct sunlight.
 -   • Do not place furniture near heating or cooling vents.
 -   • Do not write on furniture without a padded barrier to protect the surface.
 -   • Do not place furniture outside . For indoor use only .
 -   • Not for commercial use. For residential use only .
 -   • Stains may be removed with mild soap solution and damp cloth.
 -   • Children should not climb or jump on the furniture.
-
-   • Dust and pick-up spills using a clean, non-colored, lint-free cloth .