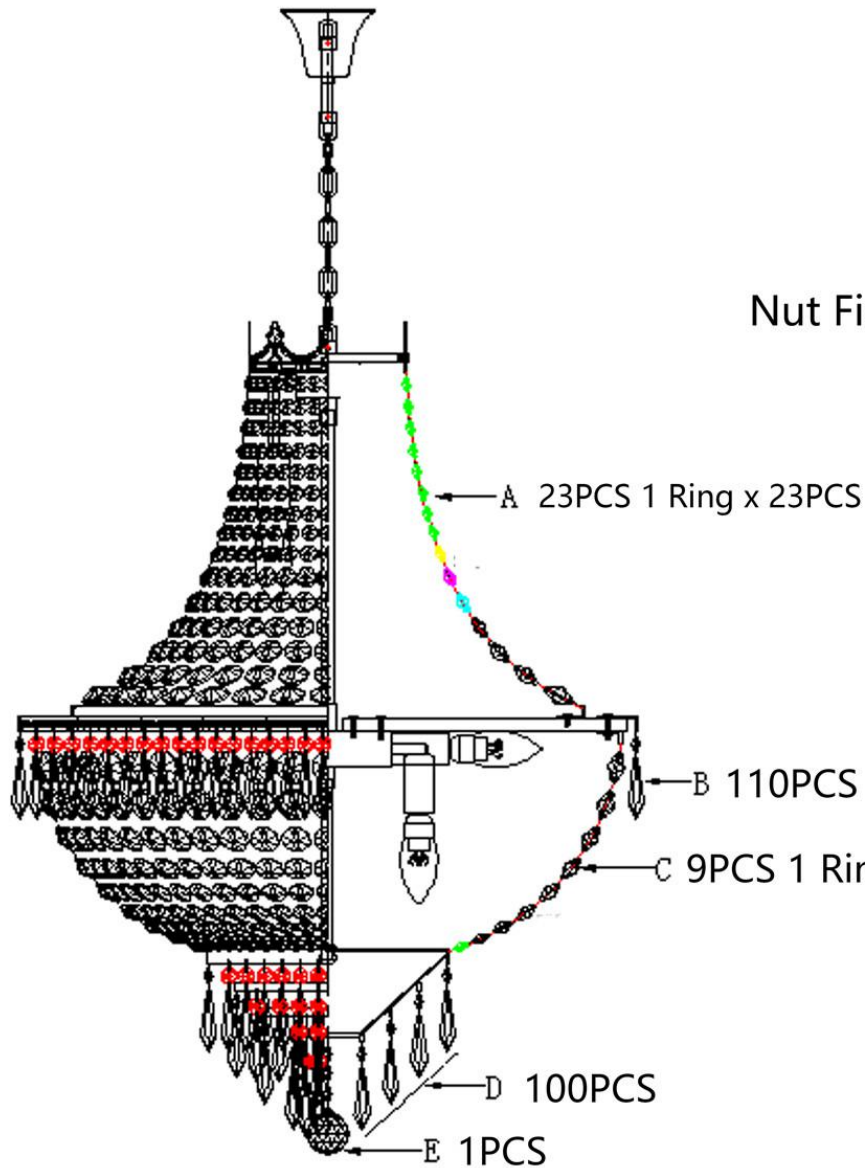


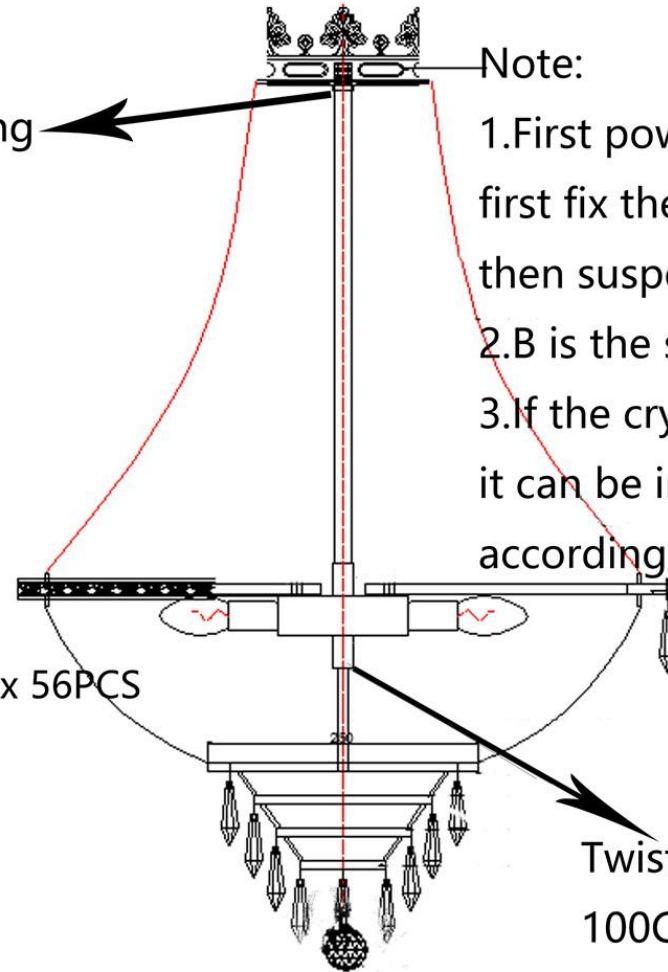
installation instruction



Nut Fixing

Note:

1. First power on the test, first fix the lamp body, then suspend the crystal.
2. B is the same as D
3. If the crystal is asymmetrical, it can be increased or decreased according to the actual situation.



Twist the Nut and Fix a 100CM Straight Rod

Input Voltage:110-120V X E12 X 9; Bulb Not Include;MAX40W/Per/50/60Hz

Avoid damage to the transportation, separate the crystals separately,
please be patient and follow the instructions, refer to the picture, and hang the crystal.
You can also ask an electrician to install it.