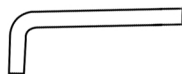


# PUZZLE TABLE PARTS



①. M6\*16 x8



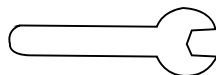
④. Screwdriverx1



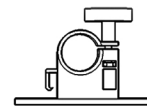
⑦. screwsx2



②. M6\*40+nut x4



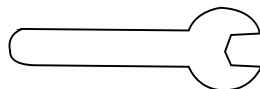
⑤. Wrenchx 1



⑧. connectorsx4



③. M6\*50 x4

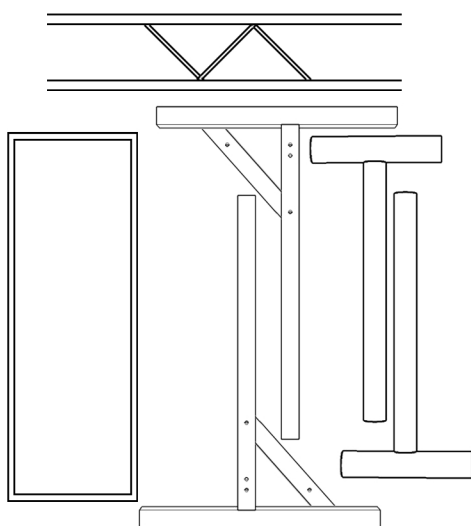


⑥. Big wrenchx1

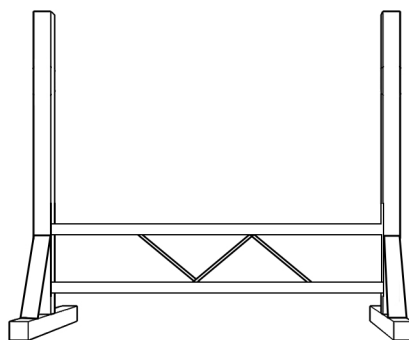


⑨. rollersx4

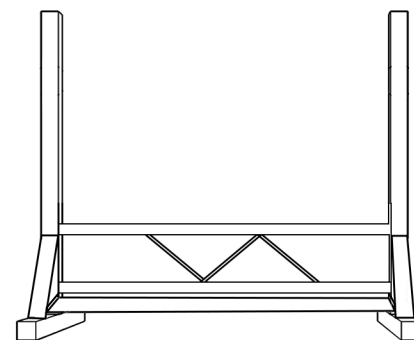
## PUZZLE TABLE WITH LEGS INSTALLATION STEPS



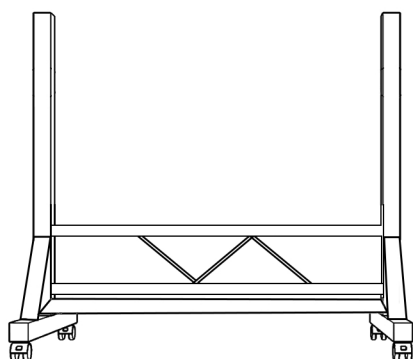
Arrange all parts neatly and check if there are any missing parts



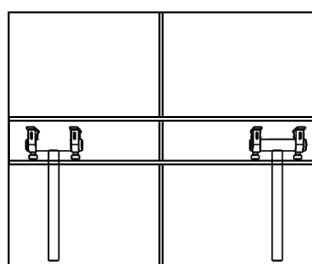
Arrange the two square legs in the same direction, Use screws ③ to connect the beam to the two square legs, and then fix it with a screwdriver.



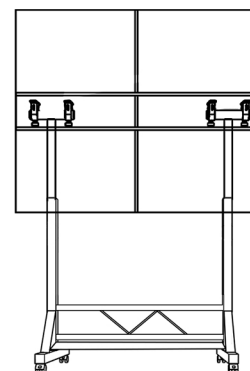
Use screws & nut ② to connect the storage board to the two square legs, and then fix it with a screwdriver ④ and wrench ⑤.



Install the rollers ⑨ at the bottom with a big wrench ⑥; then, screws ⑦ fastened to the leg but do not tightened



Fix the connectors ⑧ (table angle can be adjusted) on the T-shaped round rod, Then use screw ① to fix the connectors ⑧ and table plate.



Insert the two T-shaped round rod into the square legs (If the hole positions do not match, the spacing between the two T-shaped round rod can be adjusted through connector ⑧) and fix them with the screws ⑦ (table height can be adjusted).