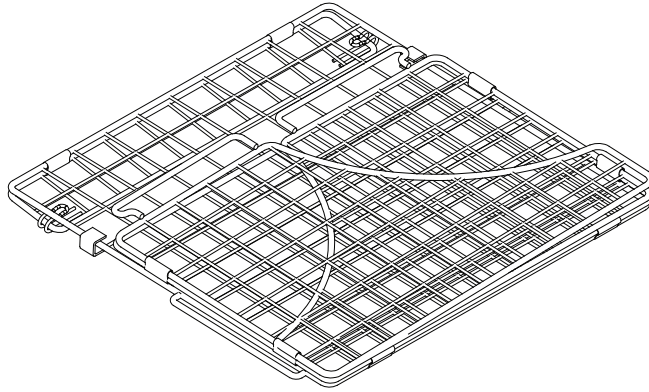


Installation Instructions

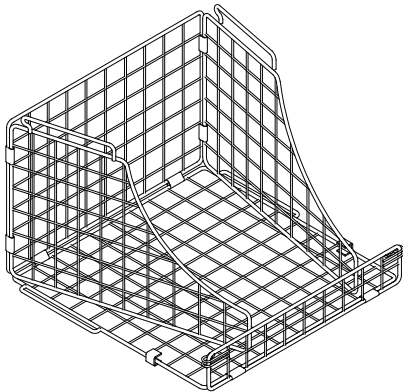
Accessories include



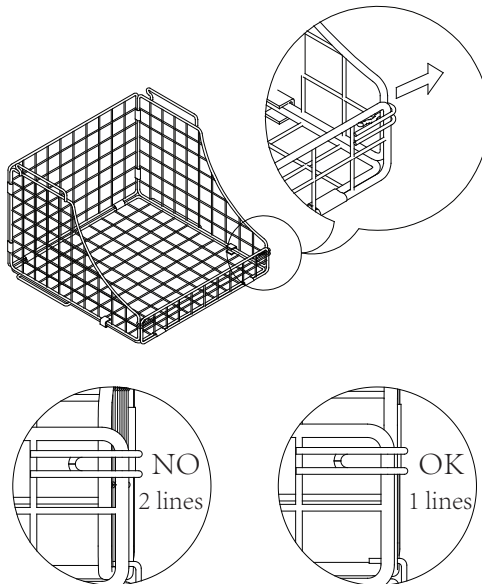
A*4

Installation steps

1: Place Basket A as the picture shows.



2: Use the buckle on Buckles' Sides to connect the bottom sides, then buckle tightly. (Note: from the front, the front of the basket is a line when the assembly is good, is two lines need to use more force).



3: Stack four baskets together. Each basket can be used alone. Also you can stack four baskets together, DIY the combination.

