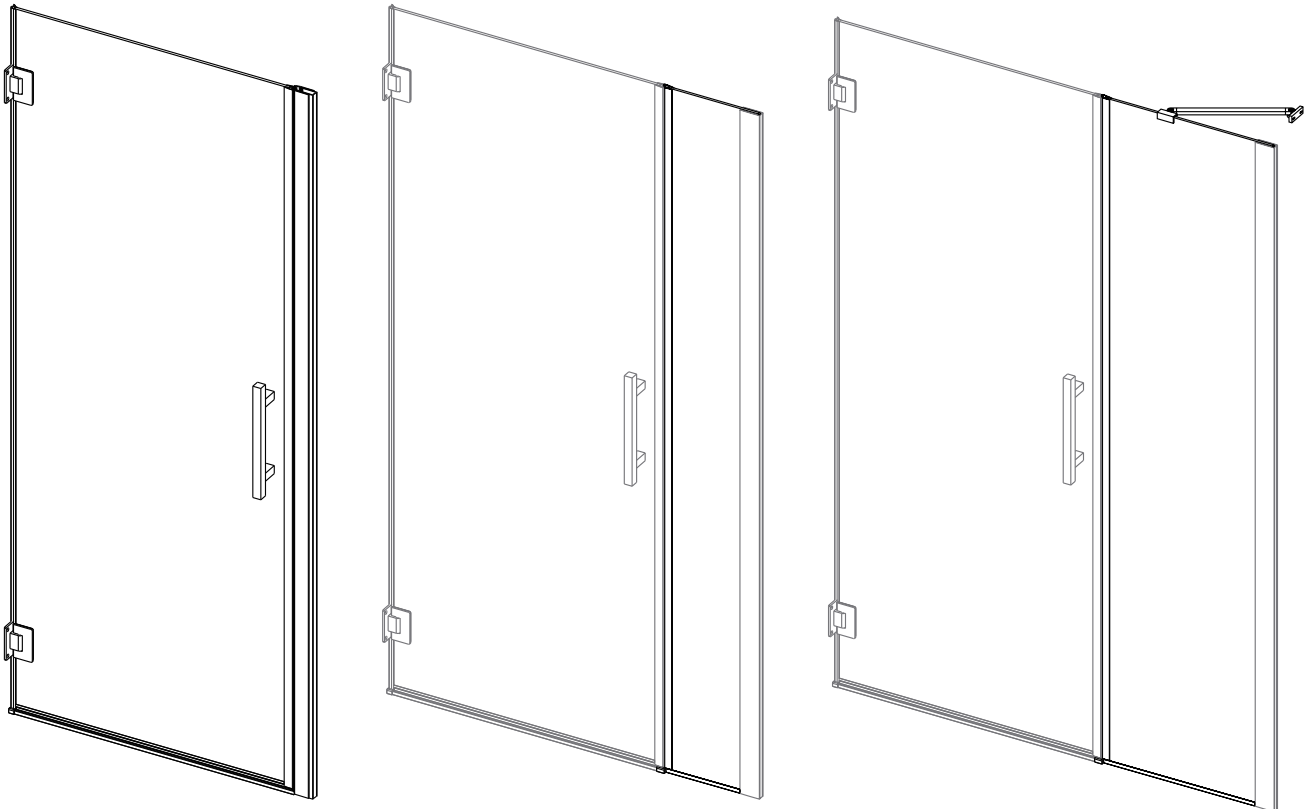


INSTALLATION INSTRUCTIONS

Series:Unifit



SCAN THE QR CODE TO
WATCH THE INSTALLATION VIDEO



**THANK YOU FOR PURCHASING OUR PRODUCTS.
FOR IMMEDIATE ASSISTANCE WITH ASSEMBLY
OR PRODUCT INFORMATION ,PLEASE EMAIL US AT:**



goodaftersale@hotmail.com

Please include your order number and the model number in your email.

Our customer service team is available to assist you Monday to Friday
8:00 AM to 5:00 PM (PST).

PREPARATION & IMPORTANT NOTICES

▲ Inspect Before Installation

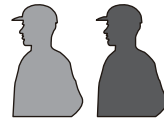
Inspect all cartons for shipping damage and verify all parts against the Parts List before installation. Read this manual completely before beginning. Report any damage, finish defects, or missing parts to customer support within 3 business days of delivery. Claims after installation may not be accepted.

◆ Code Compliance

Installation must comply with all applicable local building and plumbing codes. Code requirements vary by location. The manufacturer is not responsible for code compliance or inspection approval.

◆ Plumbing Requirements

Complete all required plumbing and drainage work prior to installing the shower enclosure. Plumbing work must be performed by a qualified professional where required by local code.



Note: This product is heavy—two-person installation is recommended.

◆ Wall and Threshold Conditions

Ensure all mounting surfaces are solid, level, and capable of supporting the unit. Walls must be plumb and square. Single-door installations do not provide adjustment for out-of-plumb walls or out-of-level thresholds. Field adjustments may be required.

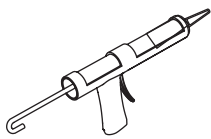
◆ Glass Handling & Surface Protection

Protect all product surfaces during installation. Do not place glass directly on hard surfaces. Use protective materials to shield glass edges and corners at all times.

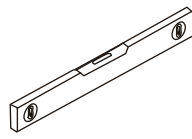
◆ Finished Surfaces & Installation Recommendation

This unit must be installed on a finished, level threshold and against finished, plumb walls. Due to the weight of the glass panels, professional installation is recommended.

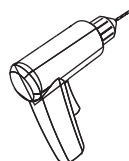
Tools Required



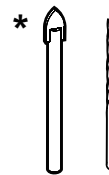
Silicone Sealant



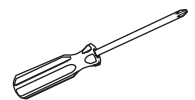
Level



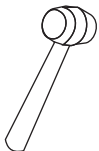
Drill



1/4" & 1/8" Drill Bits



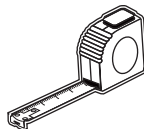
Screwdriver
(Phillips)



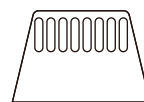
Rubber Hammer



Pencil



Tape Measure



Sealant
Finishing Tool



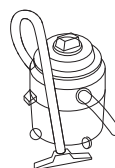
Painter's
Tape



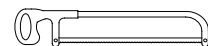
Safety Glasses



Work Gloves



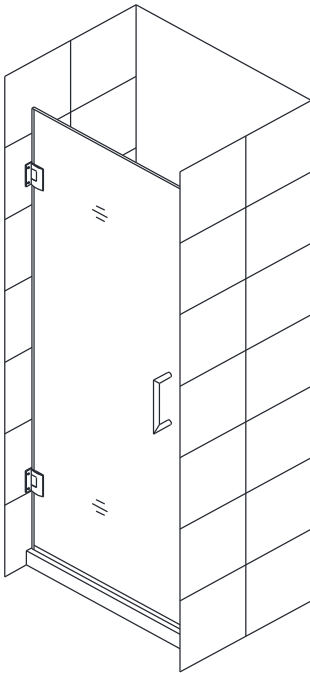
Vacuum Cleaner



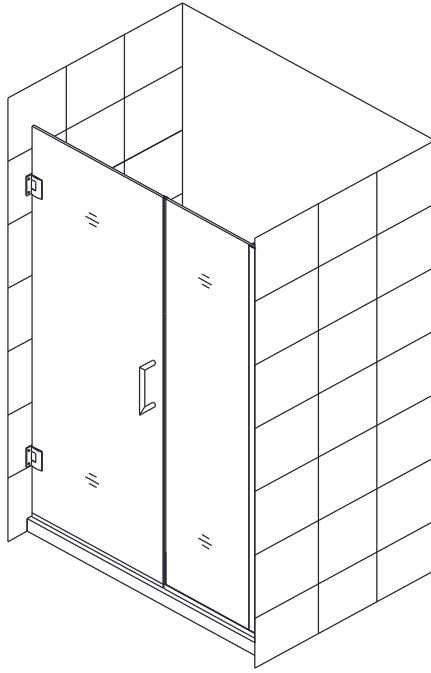
Hacksaw

* Use a 5/16" drill bit when drilling ceramic tile for hinge installation.

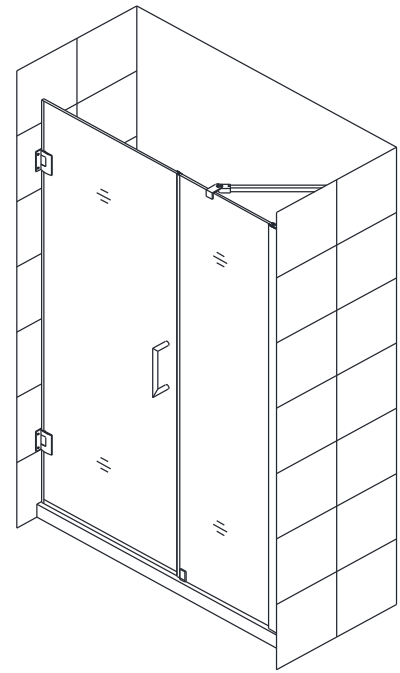
UNIFIT STYLES



STYLE A



STYLE B



STYLE C

STYLE A

UNIFIT Single shower door 23" - 32"

Refer to detailed diagram on page 6 of this manual for assembly instructions.

STYLE B*

UNIFIT Shower door 23" - 32" with 12"-23" small Fixed glass panel.

Refer to detailed diagram on page 21 of this manual for assembly instructions.

STYLE C*

UNIFIT Shower door 23"-32" with 21"-22" or 31"-32" large Fixed glass panel.

Refer to detailed diagram on page 30 of this manual for assembly instructions.

*A single, comprehensive installation instruction is provided for all configurations, including single shower doors and Fixed glass panel.

*The manual is included inside the glass door packaging. No separate instruction instruction is included with the Fixed glass panel packaging.

NOTE:All UNIFIT series doors and enclosures feature double-sided nano Easy-Clean glass coating, allowing for reversible left- or right-hand installation without affecting performance or appearance.

SHOWER DOOR AND FIXED PANEL LAYOUT OPTIONS

TABLE OF CONTENTS

Section	Description	Pages
Style A	Single Shower Door – Installation Instructions	6–20
Style B	Shower Door + Fixed Panel – Installation Instructions	21–29
Style C	Shower Door + Fixed Panel – Installation Instructions	30–40

**Style A
Model#s:**

UNIFIT-D2324**
 UNIFIT-D2425**
 UNIFIT-D2526**
 UNIFIT-D2627**
 UNIFIT-D2728**
 UNIFIT-D2829**
 UNIFIT-D2930**
 UNIFIT-D3031**
 UNIFIT-D3132**

**Style B
Model#s:**

UNIFIT-D2324P1213**
 UNIFIT-D2425P1213**
 UNIFIT-D2526P1213**
 UNIFIT-D2627P1213**
 UNIFIT-D2728P1213**
 UNIFIT-D2829P1213**
 UNIFIT-D2930P1213**
 UNIFIT-D3031P1213**
 UNIFIT-D3132P1213**

**Style C
Model#s:**

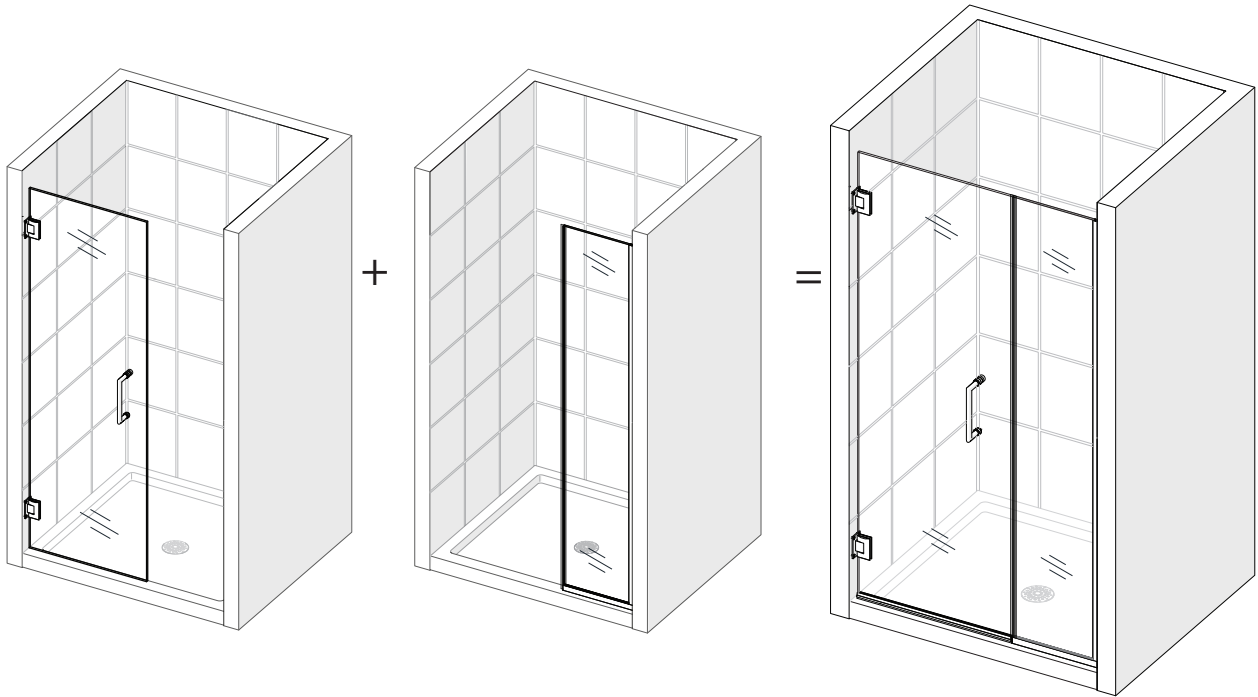
UNIFIT-D2324P2122**
 UNIFIT-D2425P2122**
 UNIFIT-D2526P2122**
 UNIFIT-D2627P2122**
 UNIFIT-D2728P2122**
 UNIFIT-D2829P2122**
 UNIFIT-D2930P2122**
 UNIFIT-D3031P2122**
 UNIFIT-D3132P2122**

UNIFIT-D2324P3031**
 UNIFIT-D2425P3031**
 UNIFIT-D2526P3031**
 UNIFIT-D2627P3031**
 UNIFIT-D2728P3031**
 UNIFIT-D2829P3031**
 UNIFIT-D2930P3031**
 UNIFIT-D3031P3031**
 UNIFIT-D3132P3031**

****Finishes** CH-Chrome BN-Brushed Nickel BG-Brushed Gold MB-Matte Black

SHOWER DOOR AND FIXED PANEL LAYOUT OPTIONS

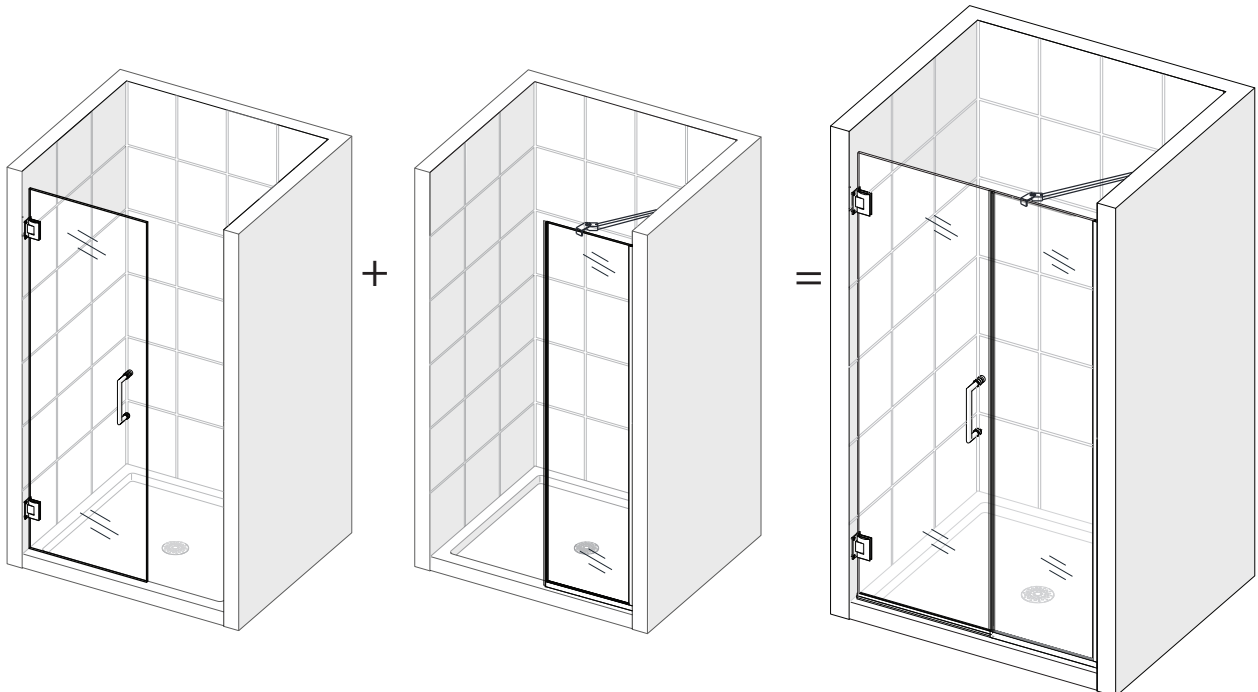
PLEASE REVIEW THIS ENTIRE MANUAL PRIOR TO INSTALLATION



STEP 1: Install Shower Door

STEP 2: Install Fixed Panel

STYLE B



STEP 1: Install Shower Door

STEP 2: Install Fixed Panel

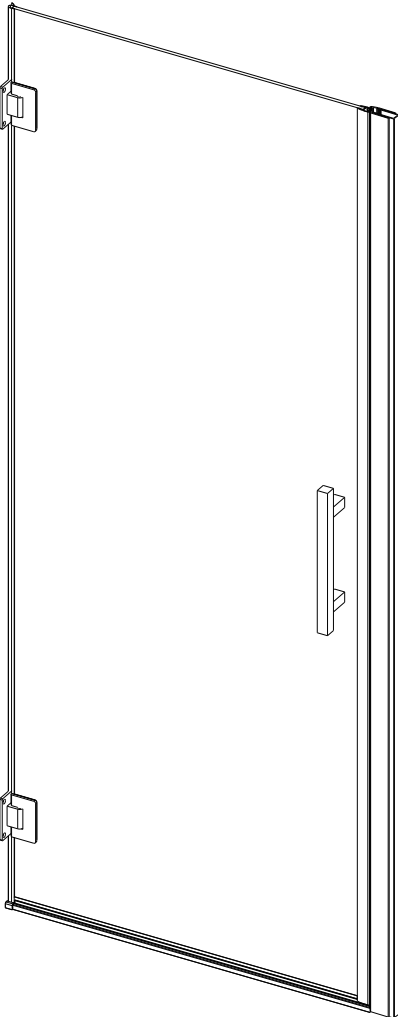
STYLE C

NOTE: Style B and Style C combination are shipped in two separate cartons:

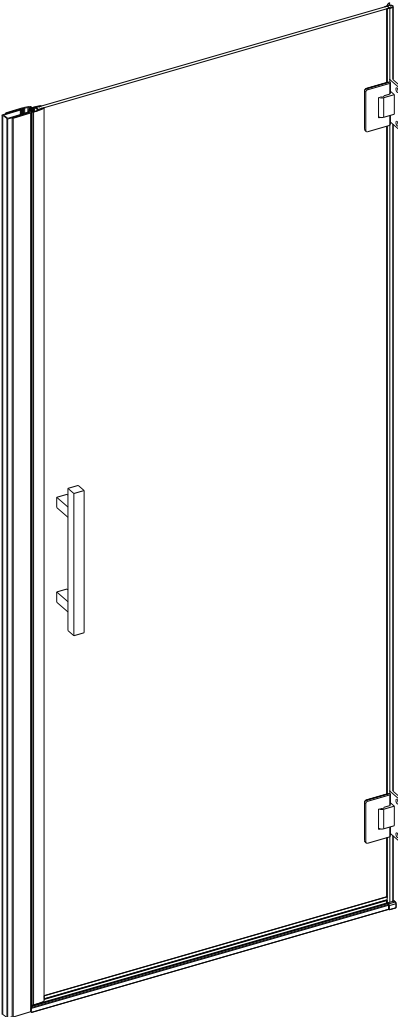
- Shower Door Carton (includes installation manual)
- Fixed Glass Panel Carton (no instruction manual included)

STYLE A : SHOWER DOOR INSTALLATION

Style A : Assembled View



or

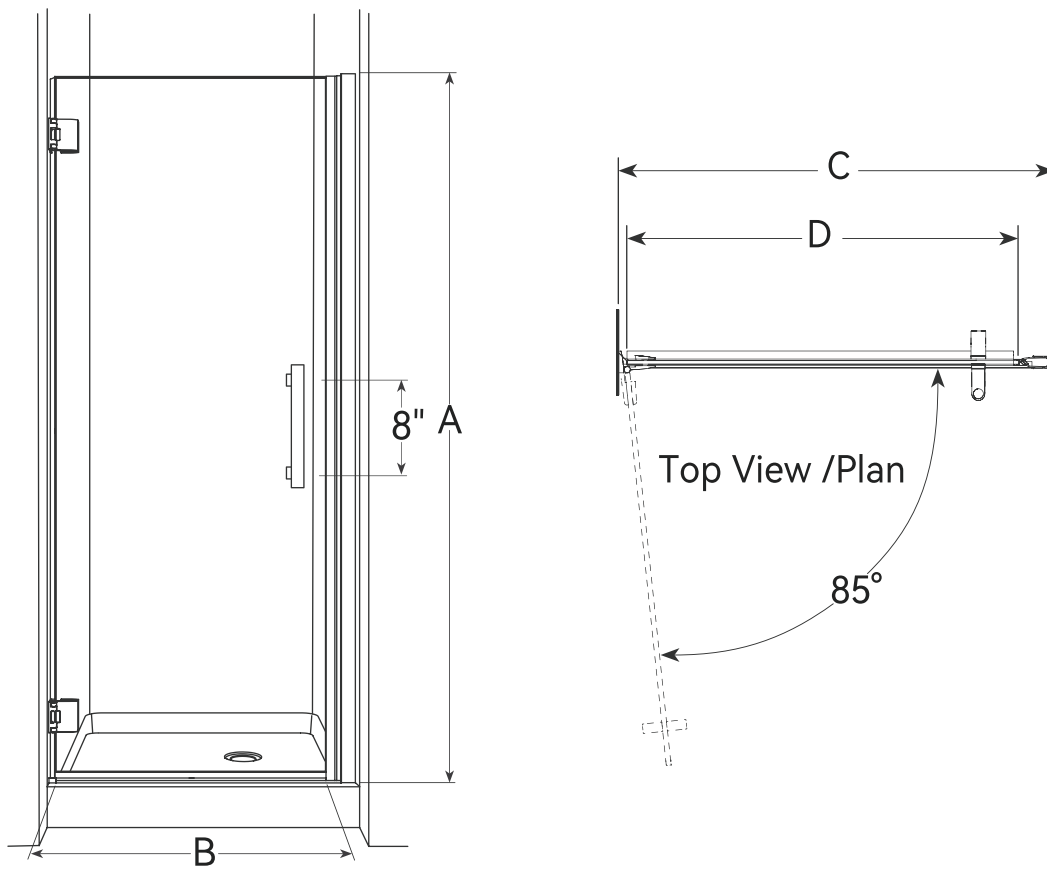


Left Hinged

Right Hinged

STYLE A : SHOWER DOOR INSTALLATION

Style A : Product Dimension



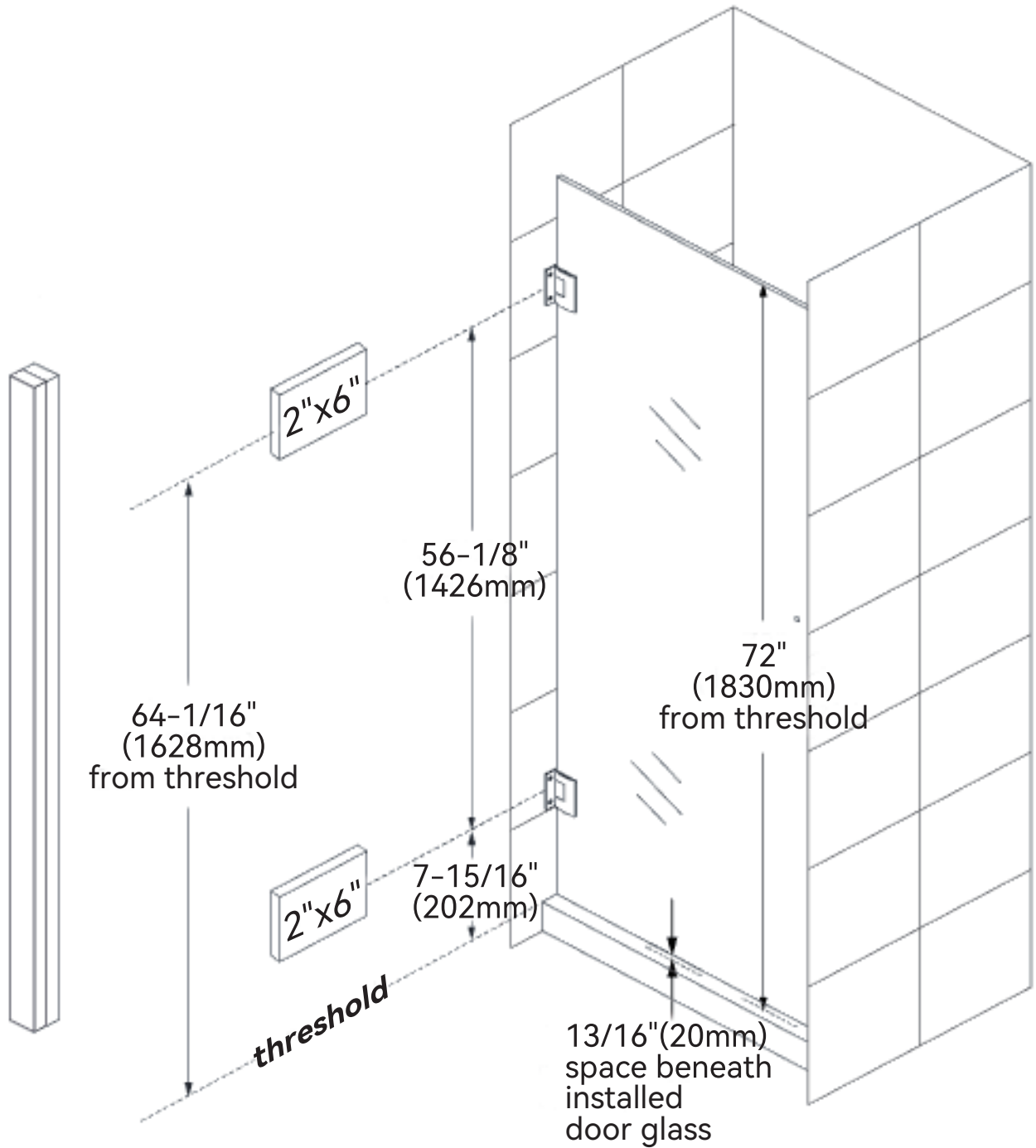
NOTE: This model features double-sided nano Easy-Clean glass and is designed for reversible left- or right-hand hinged installation.

MODEL	HEIGHT (A)	APPROX. ENTRY OPENING (B)	WALL OPENING (C)	DOOR PANEL (D)
UNIFIT-D2324**	72"	19 5/16"	23"-24"	20 1/4"
UNIFIT-D2425**	72"	20 5/16"	24"-25"	21 5/16"
UNIFIT-D2526**	72"	21 5/16"	25"-26"	22 5/16"
UNIFIT-D2627**	72"	22 5/16"	26"-27"	23 1/4"
UNIFIT-D2728**	72"	23 5/16"	27"-28"	24 5/16"
UNIFIT-D2829**	72"	24 5/16"	28"-29"	25 1/4"
UNIFIT-D2930**	72"	25 5/16"	29"-30"	26 5/16"
UNIFIT-D3031**	72"	26 5/16"	30"-31"	27 5/16"
UNIFIT-D3132**	72"	27 5/16"	31"-32"	28 1/4"

STYLE A : SHOWER DOOR INSTALLATION

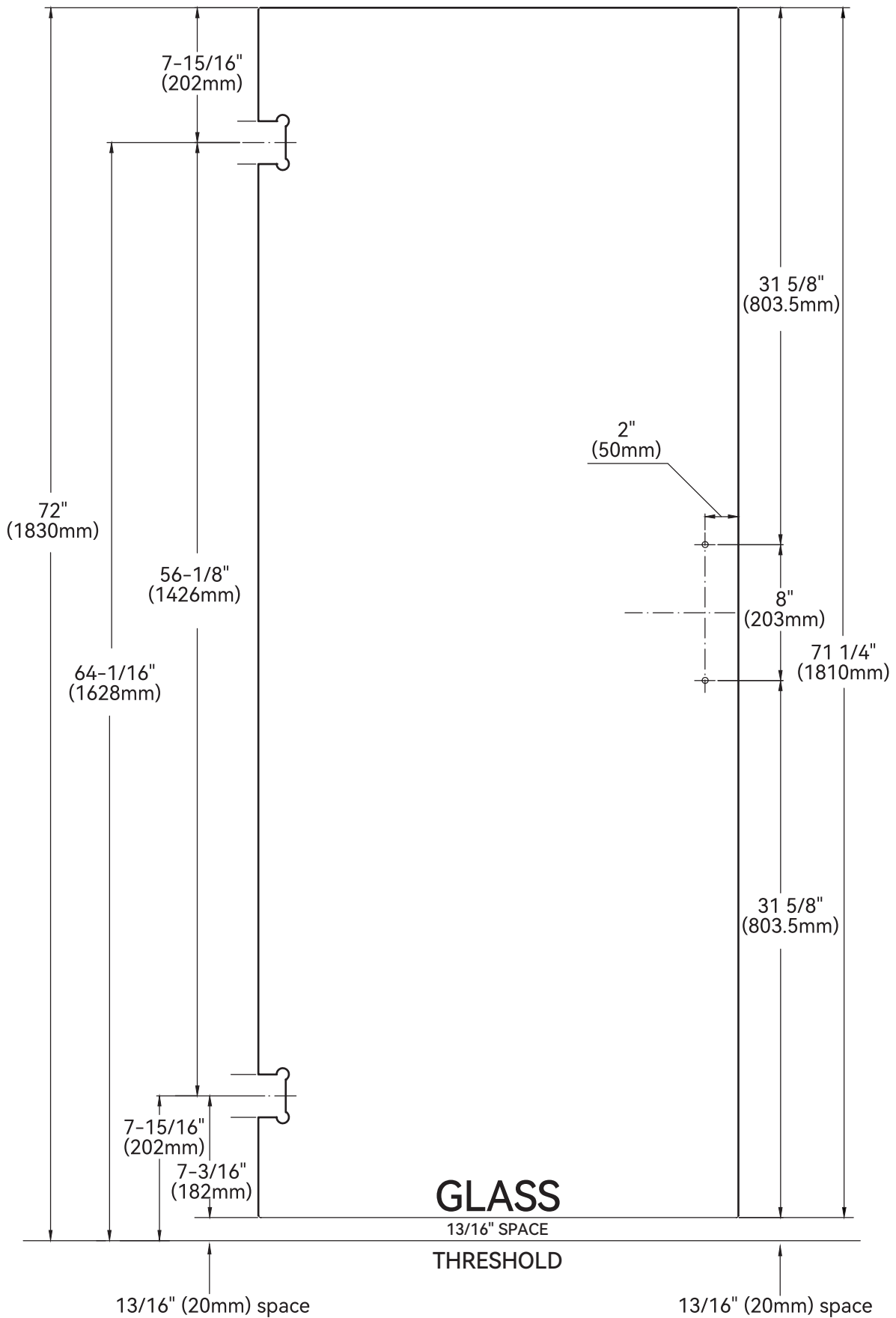
Style A : Product Dimension

INSTALL DOUBLE STUDS OR INSTALL 2"X6" WOOD BLOCKING BETWEEN THE STUDS
WHERE THE HINGES WILL ATTACH TO THE WALL



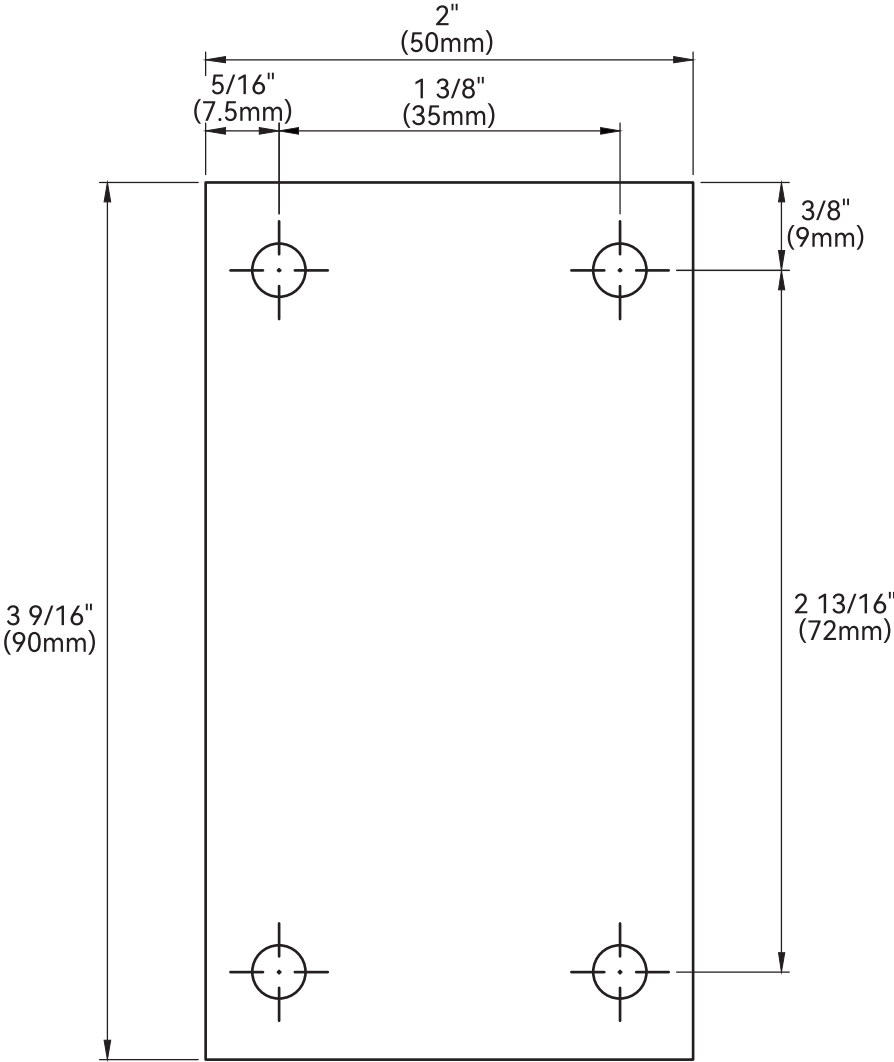
STYLE A : SHOWER DOOR INSTALLATION

Style A : Product Dimension



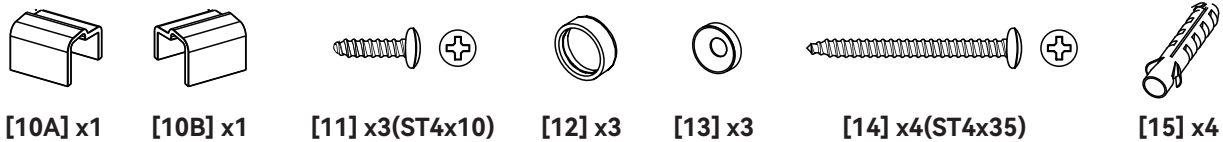
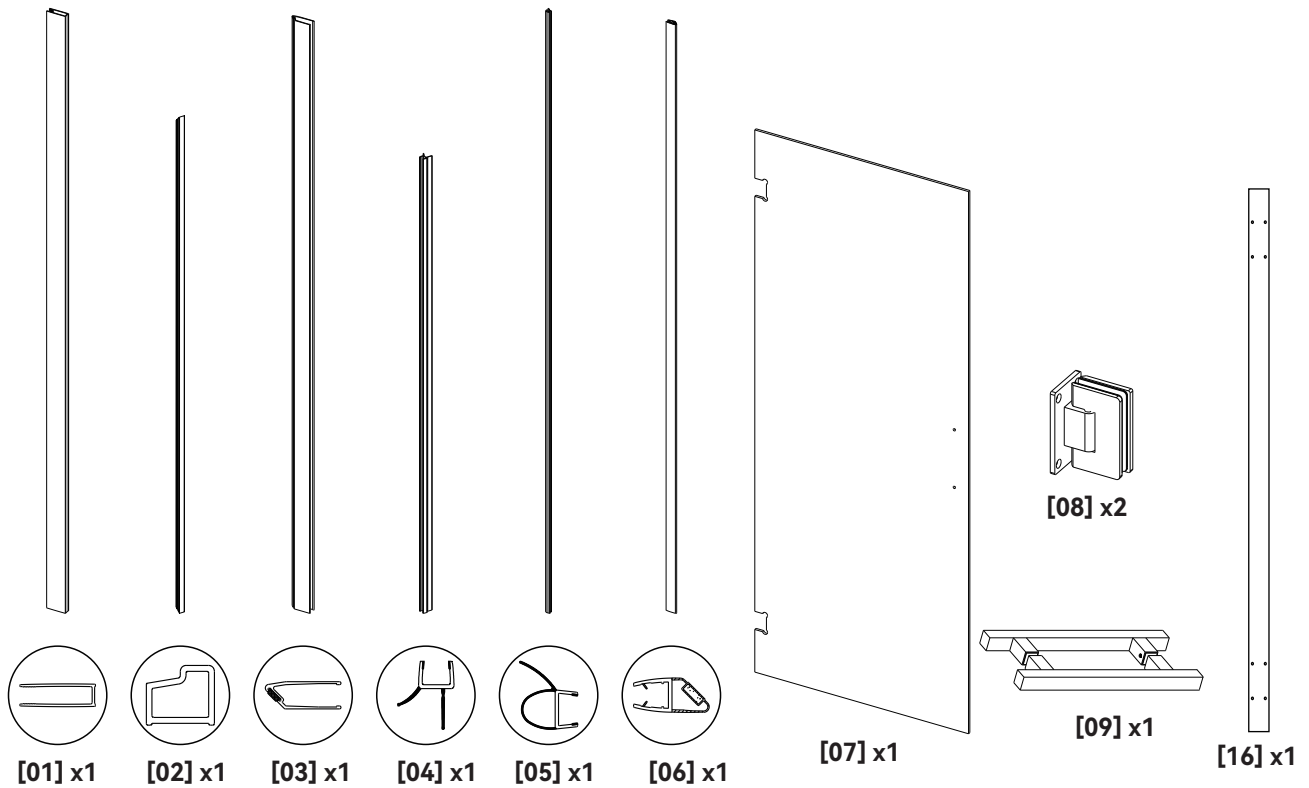
STYLE A : SHOWER DOOR INSTALLATION

Style A : Glass-to-Wall Hinge: Hole Array



STYLE A : SHOWER DOOR INSTALLATION

Style A : Shower Door Parts List



PACKING LIST

keep small parts away from children

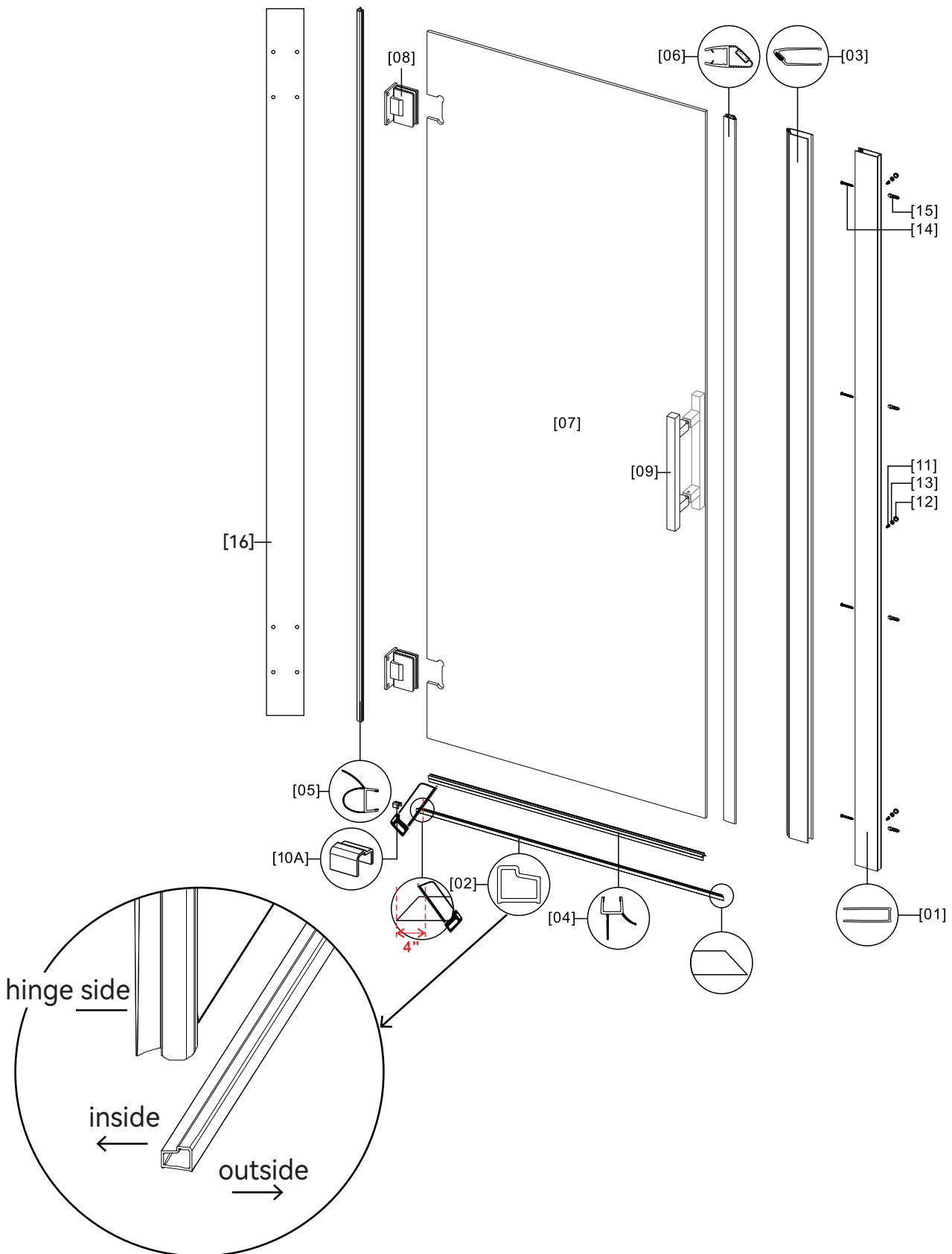
Part#	Description	Qty	Part#	Description	Qty
1	Wall Jamb	1pc	9	Handle	1pair
2	Aluminum Threshold*	1pc	10A	Glass Door Threshold Anchor (Left side)	1pc
3	Magnetic Expander	1pc	10B	Glass Door Threshold Anchor (right side)	1pc
4	Bottom Door Gasket	1pc	11	Screw ST4*10mm (3/8")	3pcs
5	Side Gasket	1pc	12	Screw Cap	3pcs
6	Magnetic Gasket	1pc	13	Back Screw Cap	3pcs
7	Door Glass	1pc	14	Screw ST4*35mm(1-3/8")	4pcs
8	Hinge*	2pcs	15	Wall Plugs	4pcs
			16	Template	1pc

*IMPORTANT:

- The aluminum threshold is factory-cut with 45° angles on both ends. During installation, trim one end to a 90° angle according to the desired installation direction. See the exploded diagram and installation instructions for guidance.
- Caution: The 45° ends are sharp. Always wear gloves during handling and installation to avoid injury.
- ST5 × 40 mm screws and wall plugs are included in the hinge hardware box. A 5/16 in. drill bit is required for installing the hinge.

STYLE A : SHOWER DOOR INSTALLATION

Style A : Detailed Diagram of Shower Door (Left Hinged)

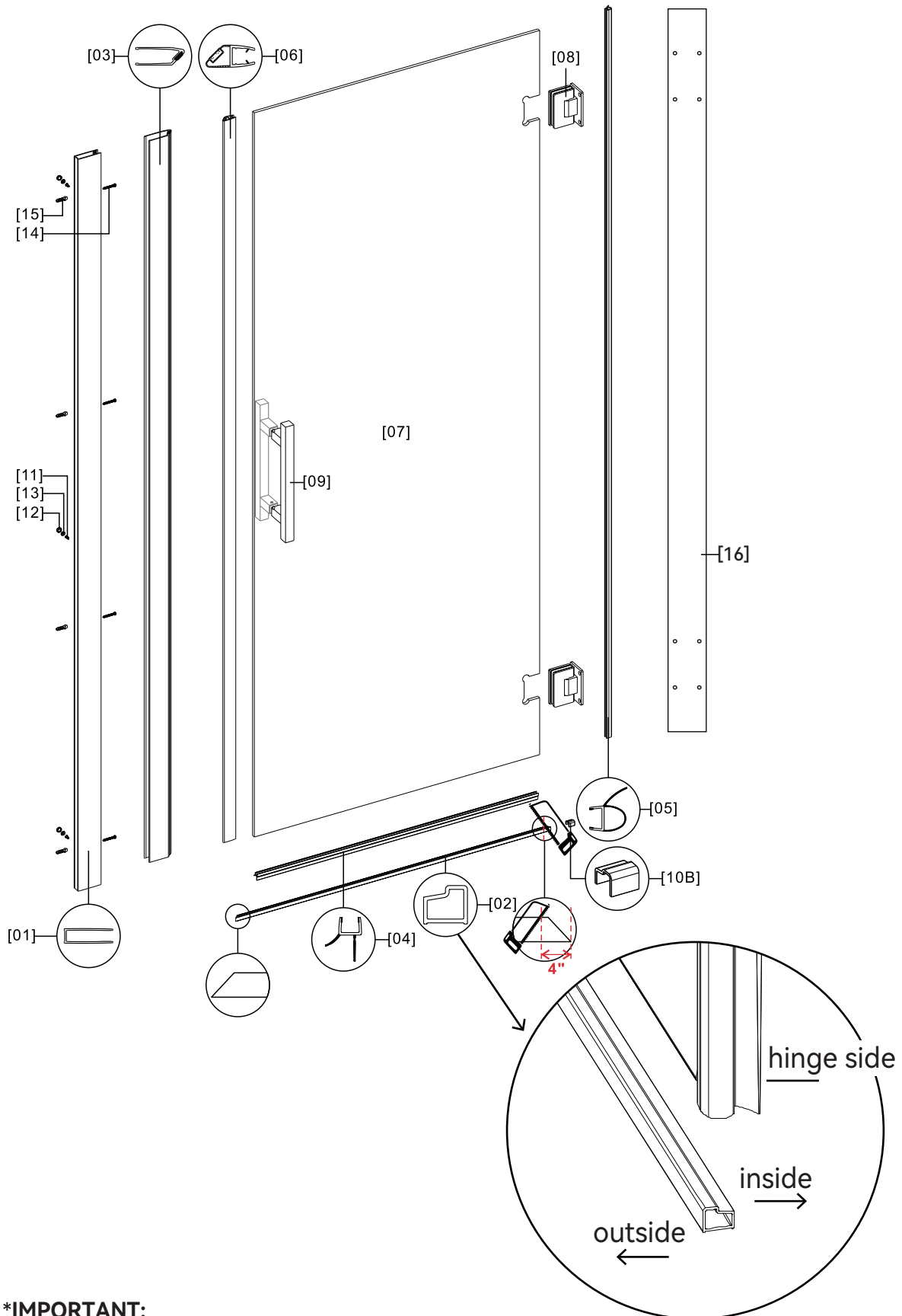


*IMPORTANT:

1. Trim the left end of the aluminum threshold from 45° to 90°, about 4" long.
2. Caution: The 45° ends are sharp. Always wear gloves during handling and installation to avoid injury.

STYLE A : SHOWER DOOR INSTALLATION

Style A : Detailed Diagram of Shower Door (Right Hinged)



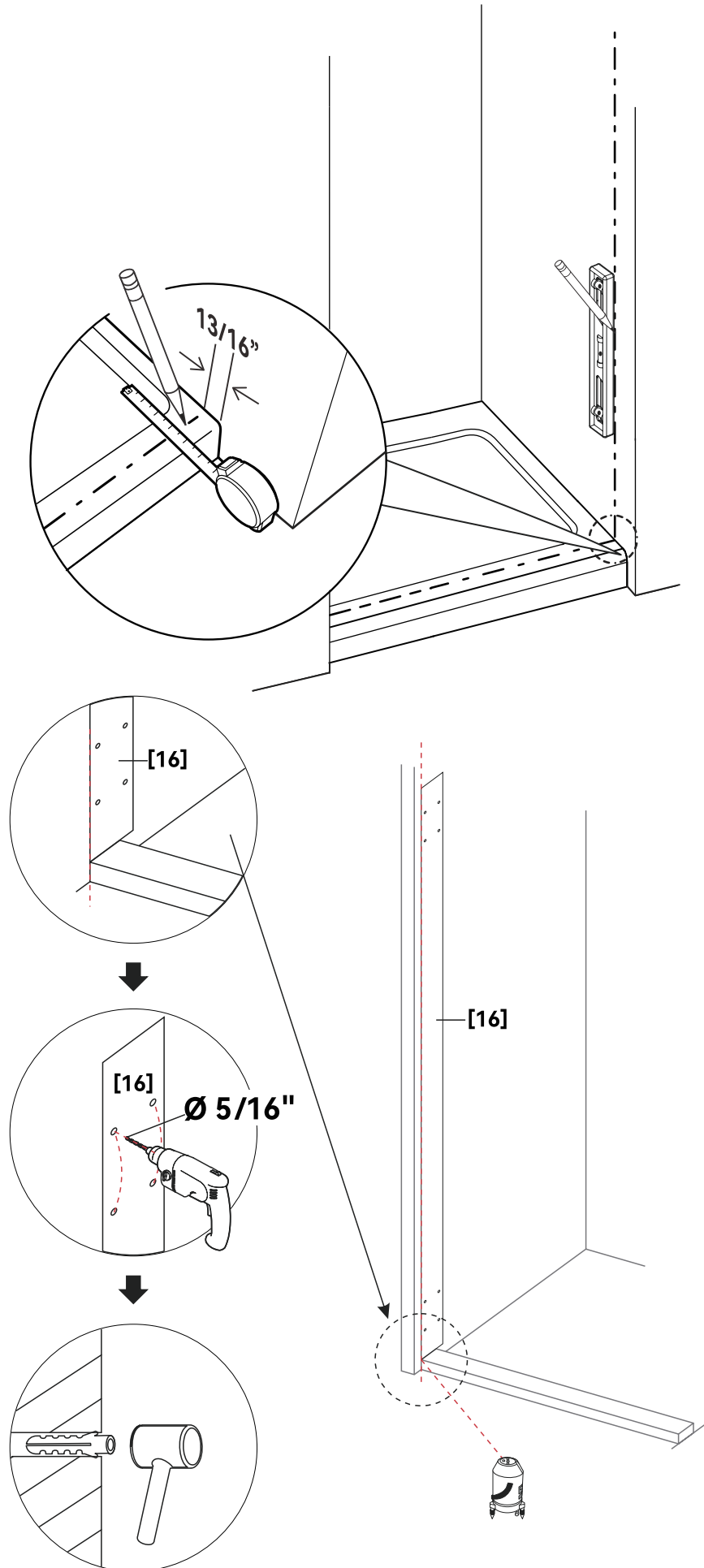
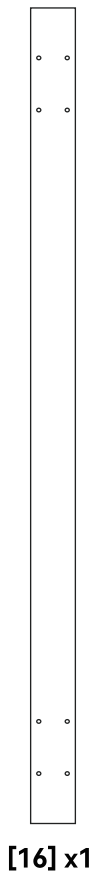
*IMPORTANT:

1. Trim the right end of the aluminum threshold from 45° to 90°, about 4" long.
2. Caution: The 45° ends are sharp. Always wear gloves during handling and installation to avoid injury.

STYLE A : SHOWER DOOR INSTALLATION

01

Hardware Used

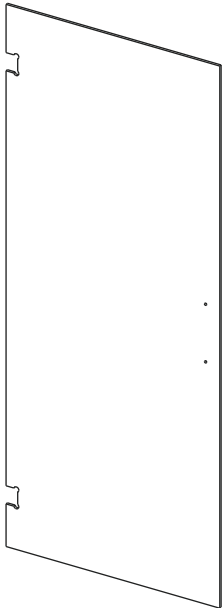


*A 5/16 in. drill bit is required for installing the hinge.

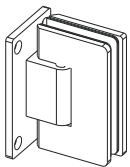
STYLE A : SHOWER DOOR INSTALLATION

02

Hardware Used



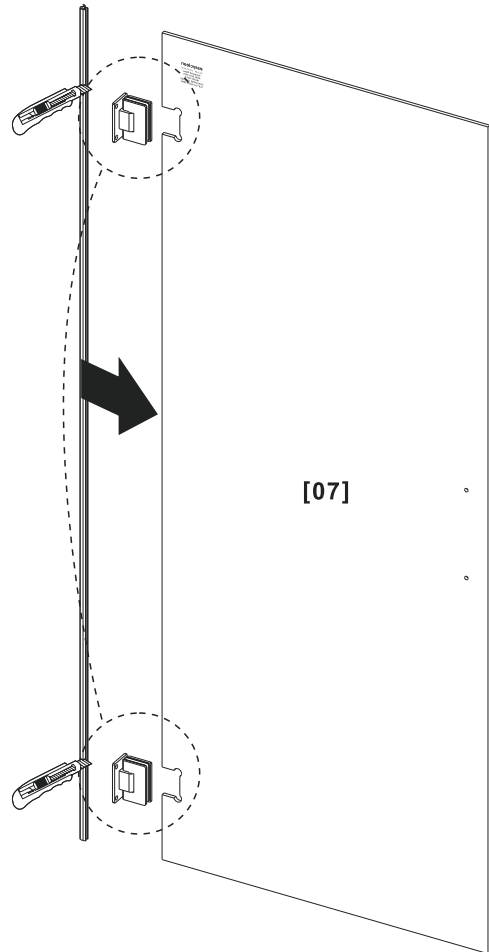
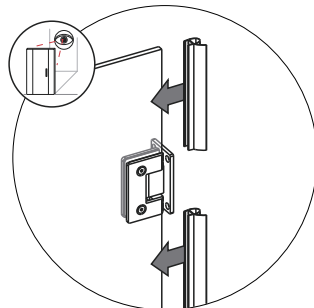
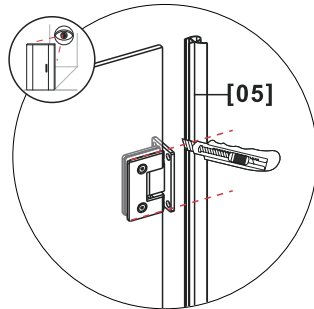
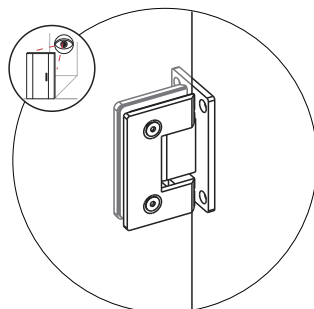
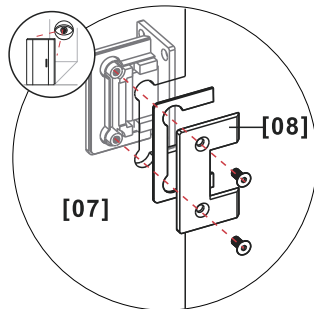
[07] x1



[08] x2



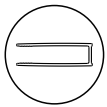
[05] x1



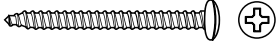
STYLE A : SHOWER DOOR INSTALLATION

03

Hardware Used



[01] x1

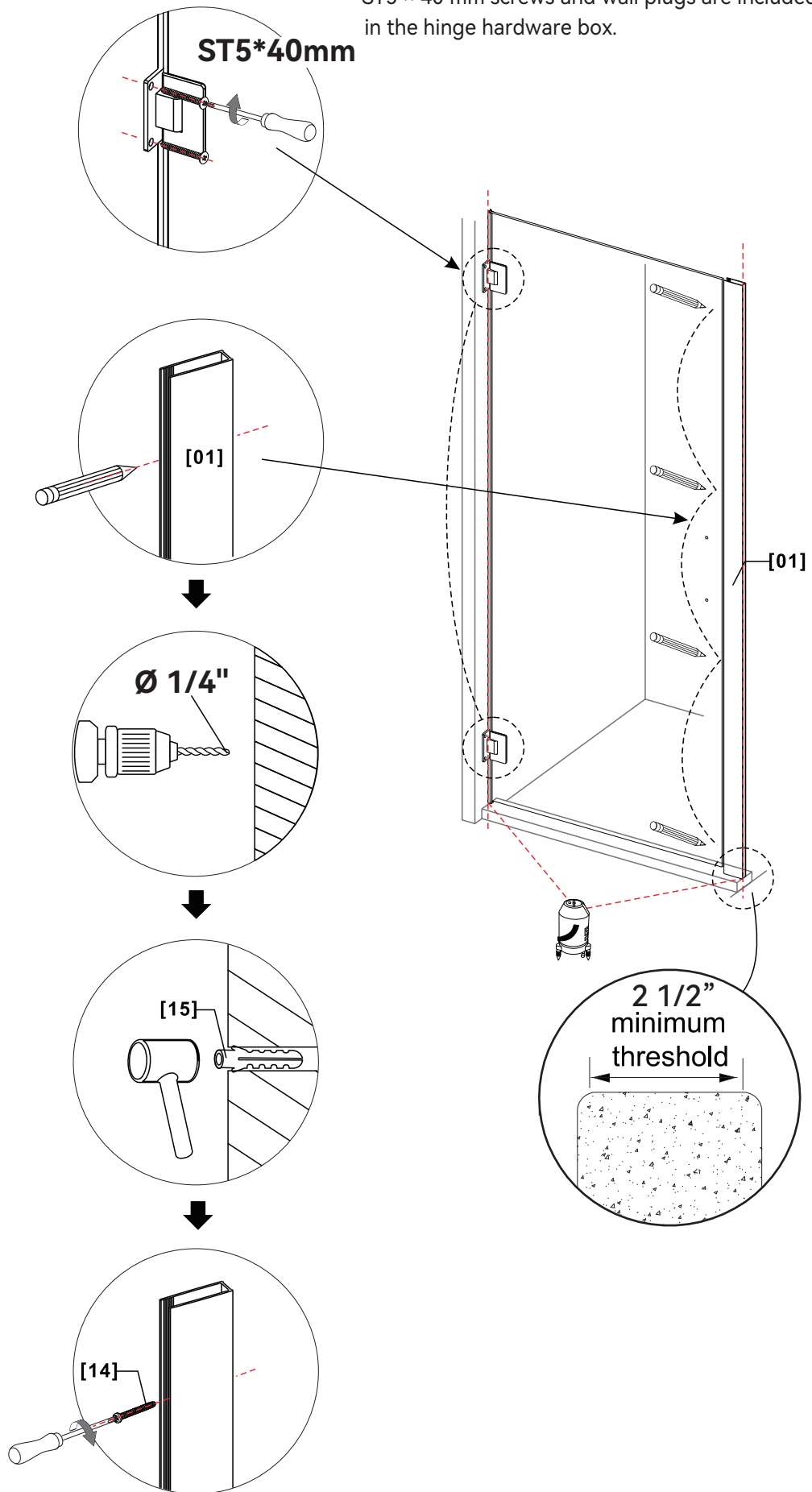


[14] x4 (ST4x35)



[15] x4

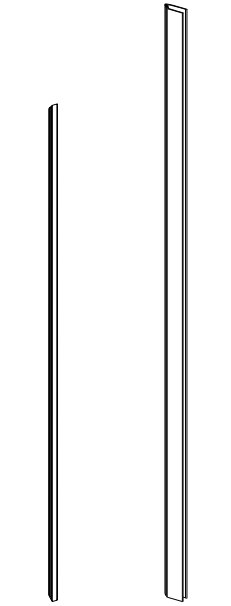
*ST5 × 40 mm screws and wall plugs are included in the hinge hardware box.



STYLE A : SHOWER DOOR INSTALLATION

04

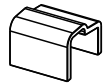
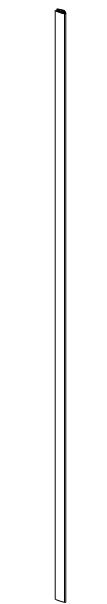
Hardware Used



[02] x1



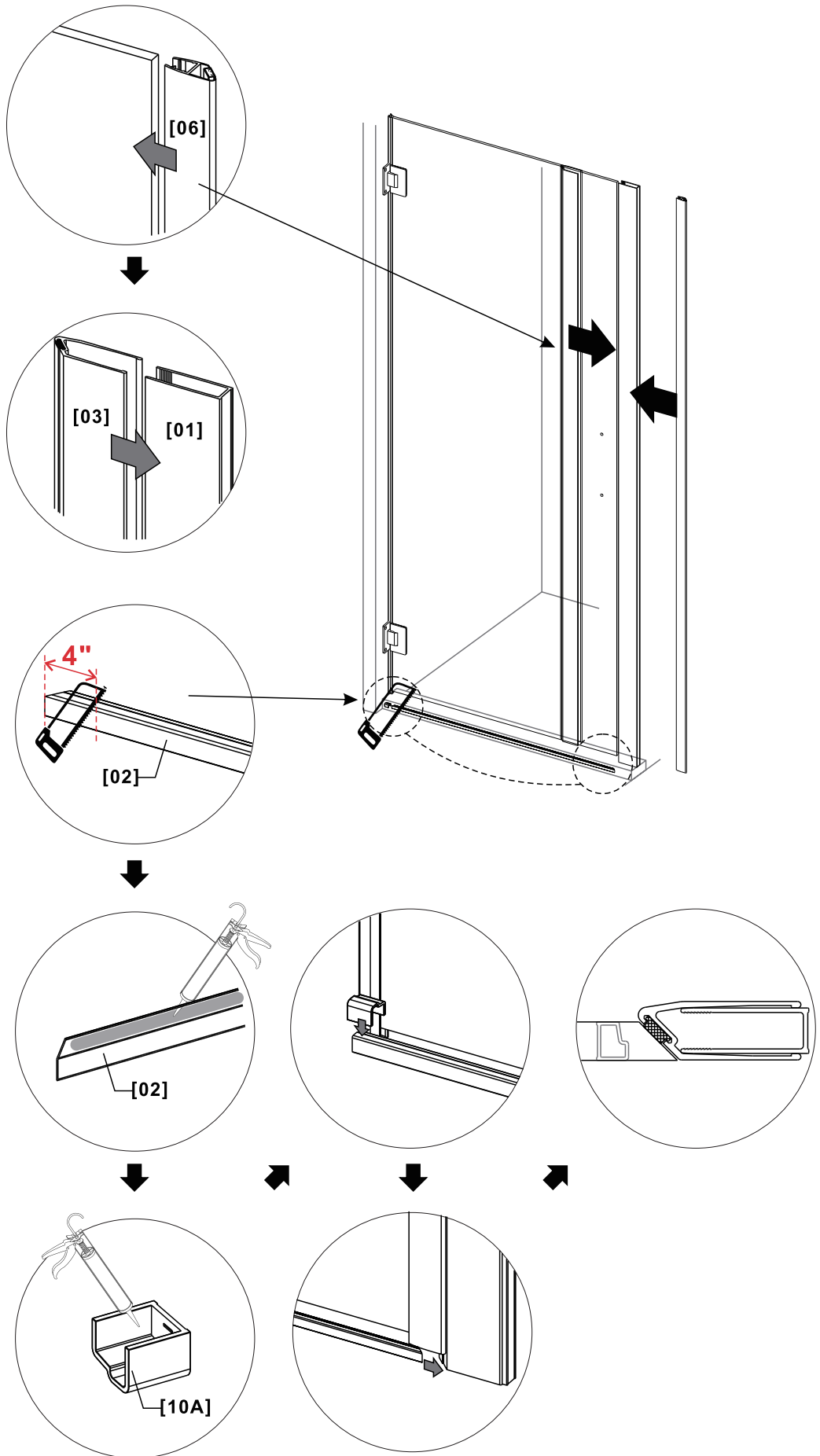
[03] x1



[10A] x1



[06] x1



STYLE A : SHOWER DOOR INSTALLATION

05

Hardware Used



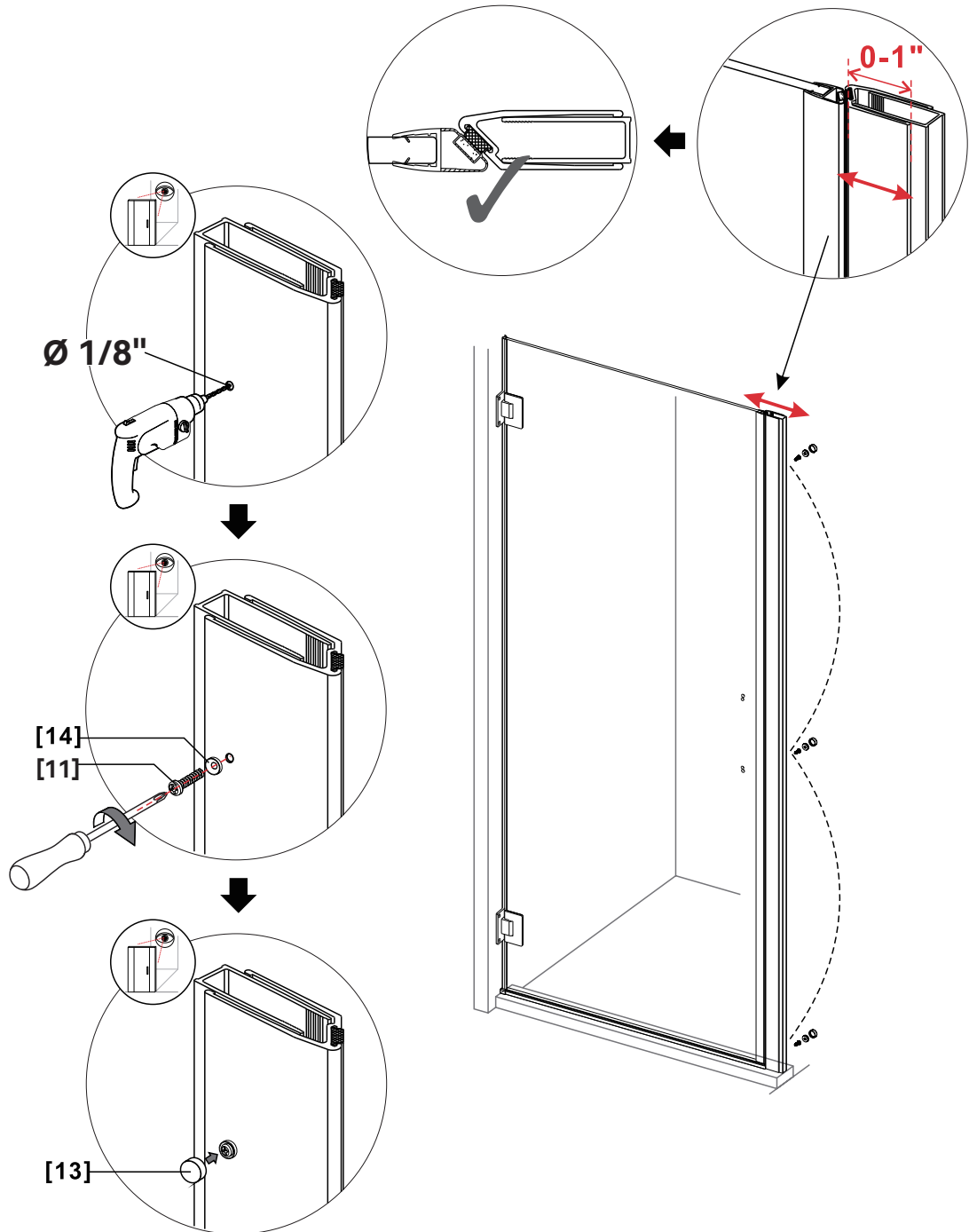
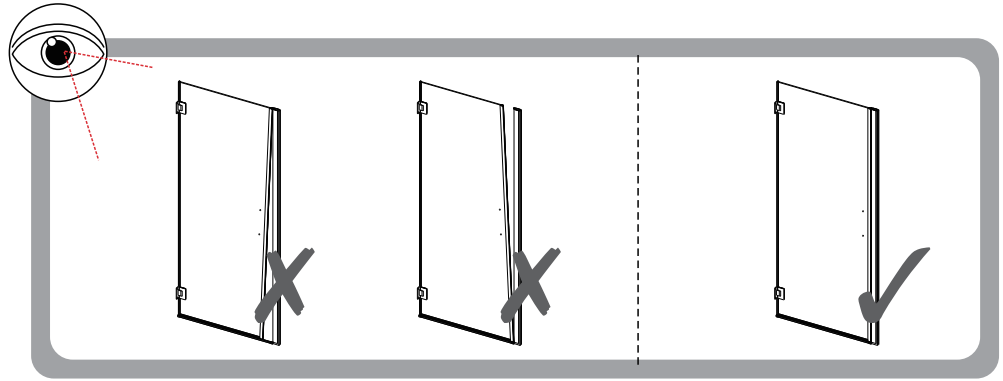
[11] x3(ST4x10)



[13] x3



[14] x3



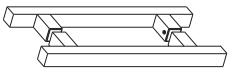
STYLE A : SHOWER DOOR INSTALLATION

06

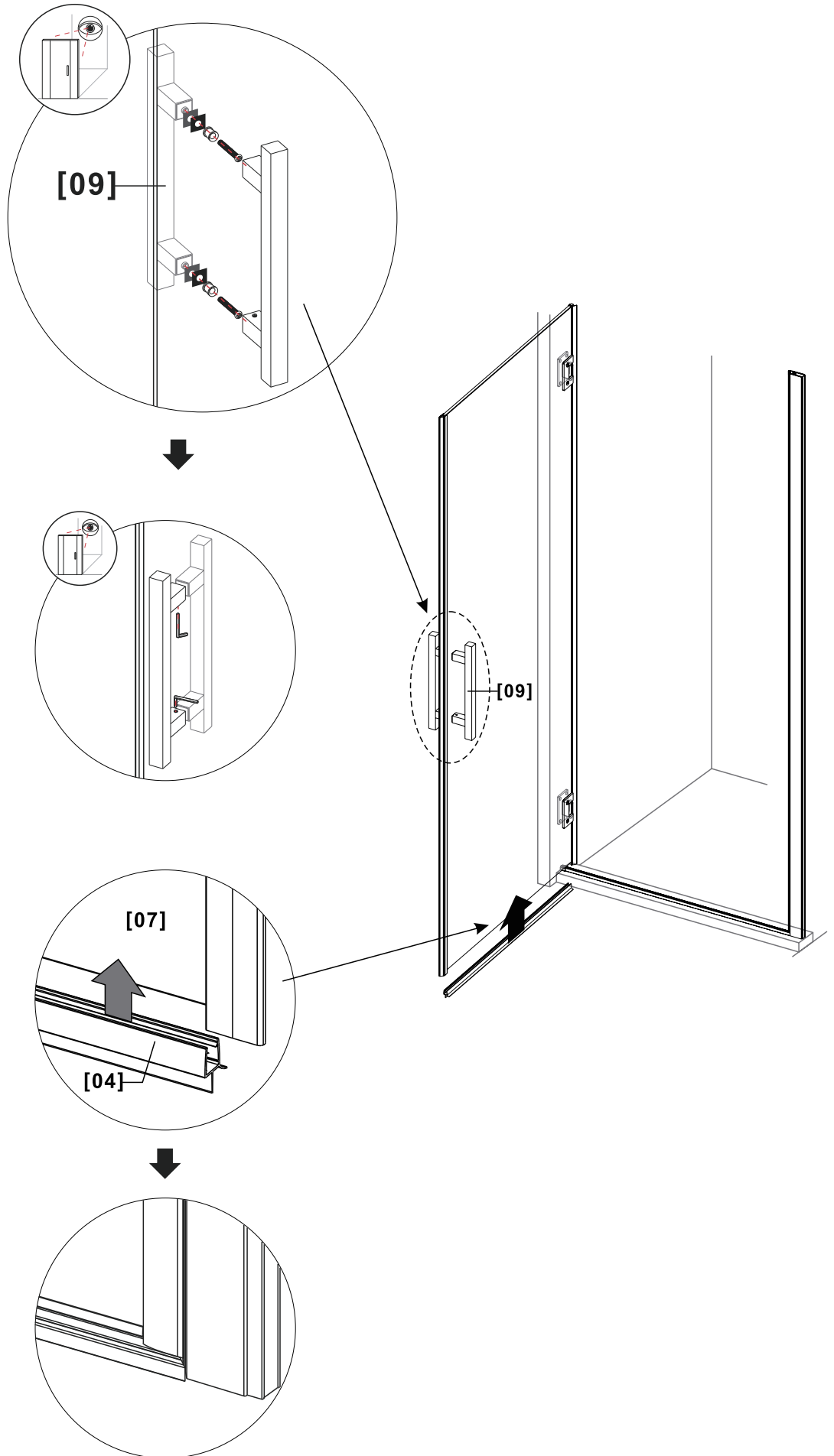
Hardware Used



[04] x1

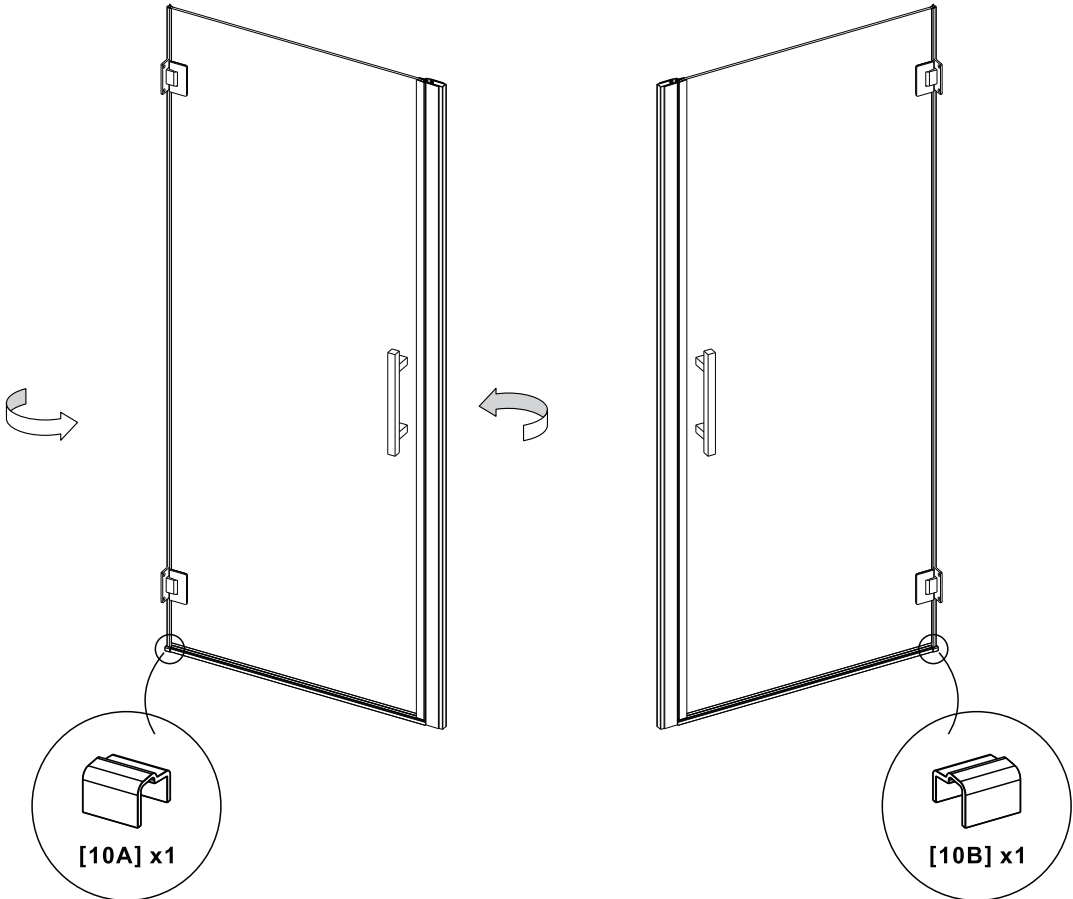
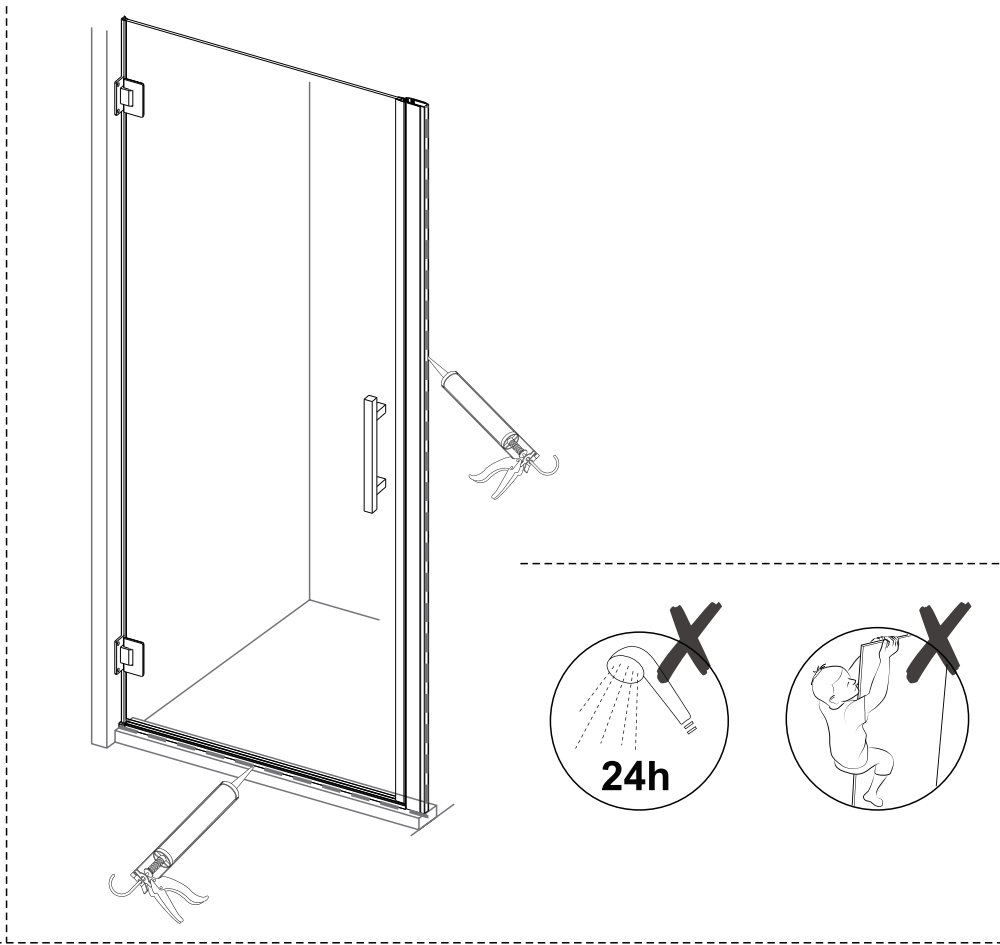


[09] x1



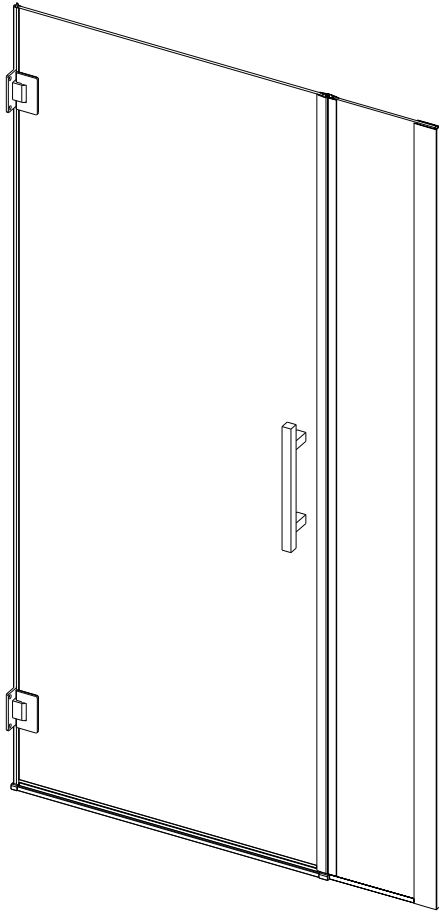
STYLE A : SHOWER DOOR INSTALLATION

07



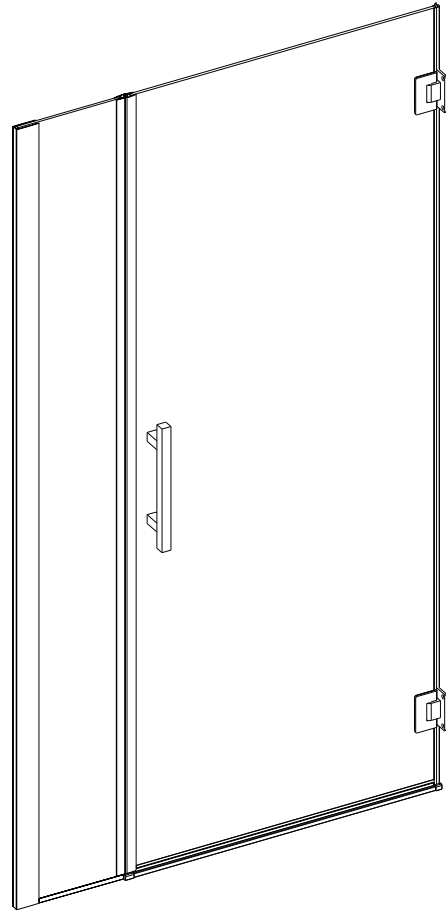
STYLE B: FIXED GLASS PANEL INSTALLATION

Style B : Assembled View



Left Hinged

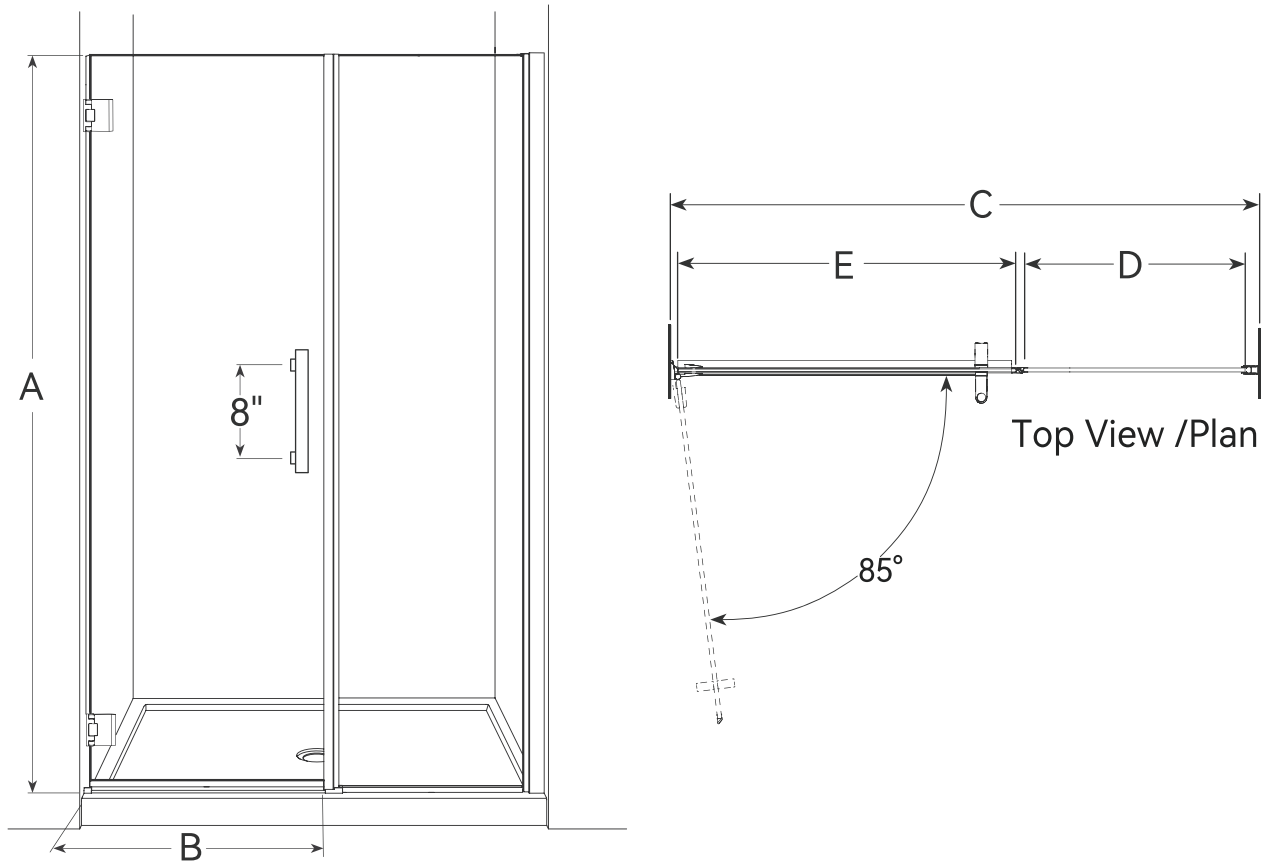
or



Right Hinged

STYLE B: FIXED GLASS PANEL INSTALLATION

Style B : Product Dimension

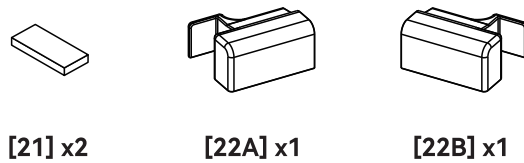
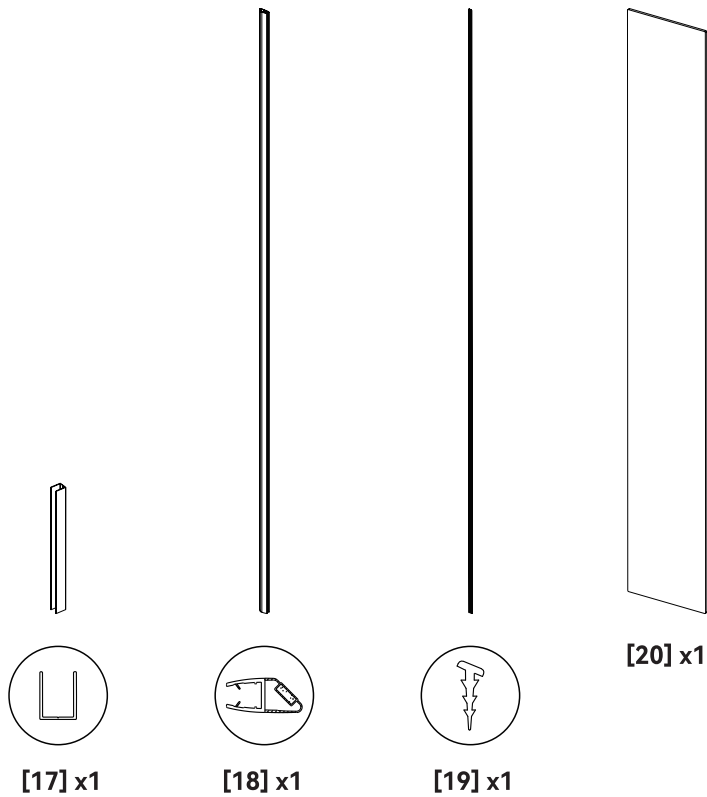


NOTE: This model features double-sided nano Easy-Clean glass and is designed for reversible left- or right-hand hinged installation.

MODEL	HEIGHT (A)	APPROX. ENTRY OPENING (B)	WALL OPENING (C)	FIXED PANEL (D)	DOOR PANEL (E)
UNIFIT-D2324P1213**	72"	19 5/16"	33"-34"	11 1/4"	20 1/4"
UNIFIT-D2425P1213**	72"	20 5/16"	34"-35"	11 1/4"	21 5/16"
UNIFIT-D2526P1213**	72"	21 5/16"	35"-36"	11 1/4"	22 5/16"
UNIFIT-D2627P1213**	72"	22 5/16"	36"-37"	11 1/4"	23 1/4"
UNIFIT-D2728P1213**	72"	23 5/16"	37"-38"	11 1/4"	24 5/16"
UNIFIT-D2829P1213**	72"	24 5/16"	38"-39"	11 1/4"	25 1/4"
UNIFIT-D2930P1213**	72"	25 5/16"	39"-40"	11 1/4"	26 5/16"
UNIFIT-D3031P1213**	72"	26 5/16"	40"-41"	11 1/4"	27 5/16"
UNIFIT-D3132P1213**	72"	27 5/16"	41"-42"	11 1/4"	28 1/4"

STYLE B: FIXED GLASS PANEL INSTALLATION

Style B : Fixed Glass Panel Parts List



PACKING LIST (continues from page 10)

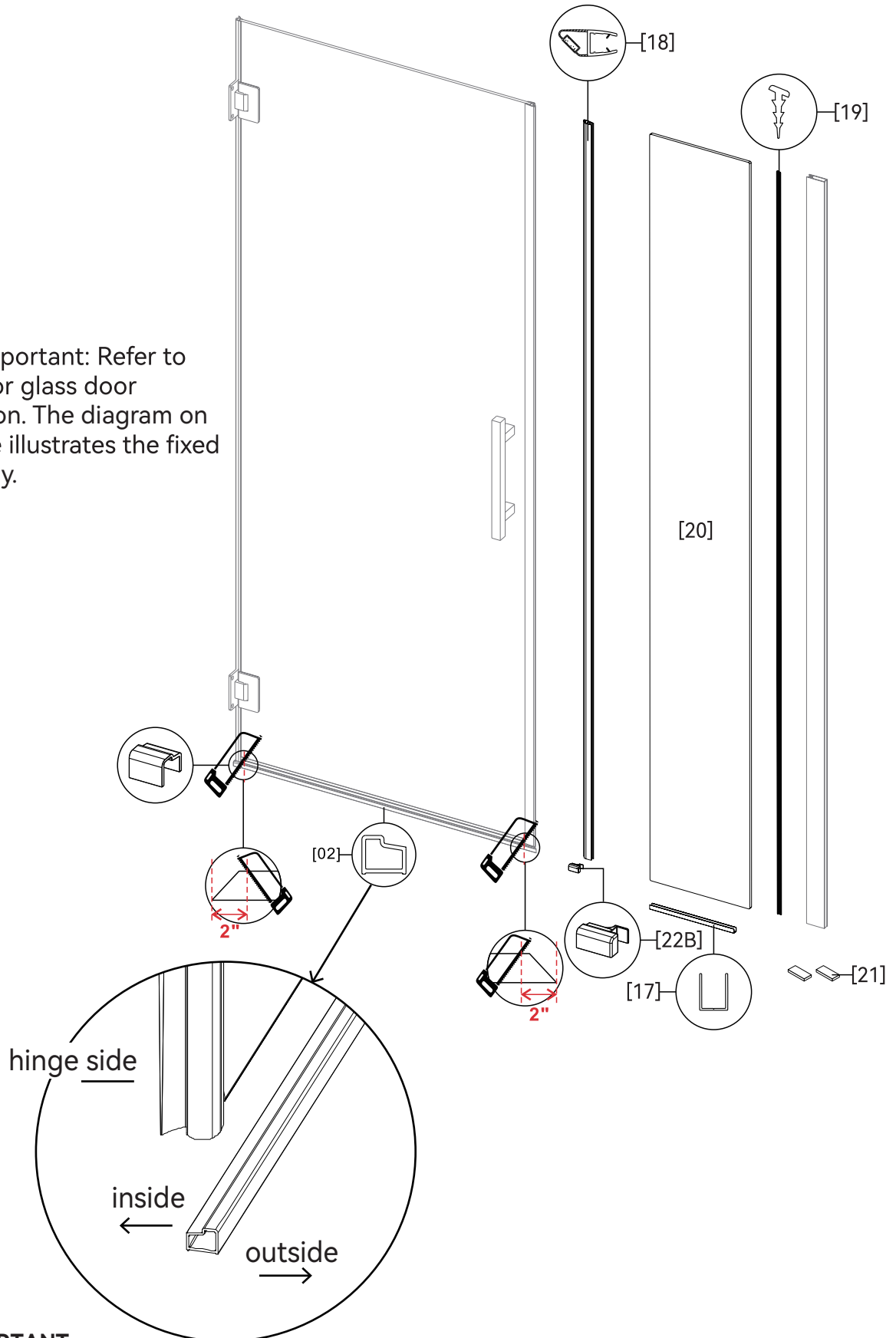
 keep small parts away from children

Part#	Description	Qty	Part#	Description	Qty
17	U-Channel	1pc	20	Fixed Panel	1pc
18	Magnetic Fixed Panel Gasket	1pc	21	U-Channel Glass Protector Pad	2pcs
19	Wall Jamb Gasket	1pc	22A	Fixed Panel Threshold Anchoer (right side)	1pc
			22B	Fixed Panel Threshold Anchoer (left side)	1pc

STYLE B: FIXED GLASS PANEL INSTALLATION

Style B: Detailed Diagram of Fixed Glass Panel (Left Hinged)

NOTE: Important: Refer to page 6 for glass door installation. The diagram on this page illustrates the fixed panel only.

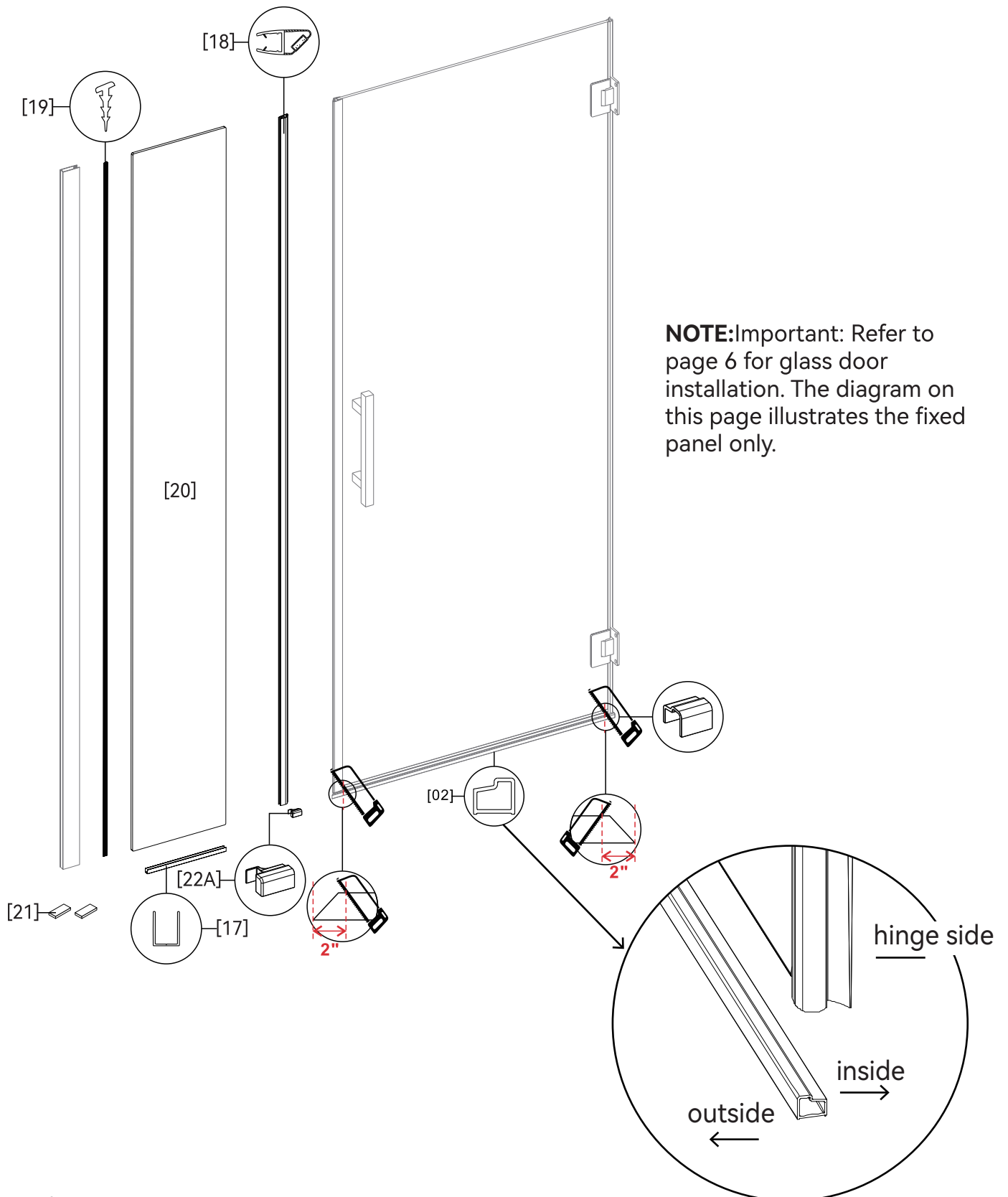


*IMPORTANT:

1. Cut both ends of the aluminum threshold from 45° to 90°, approximately 2" from each end.
2. Caution: The 45° ends are sharp. Always wear gloves during handling and installation to avoid injury.

STYLE B: FIXED GLASS PANEL INSTALLATION

Style B: Detailed Diagram of Fixed Glass Panel (Right Hinged)



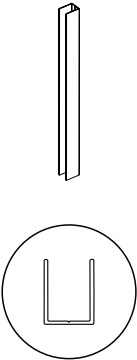
*IMPORTANT:

1. Cut both ends of the aluminum threshold from 45° to 90°, approximately 2" from each end.
2. Caution: The 45° ends are sharp. Always wear gloves during handling and installation to avoid injury.

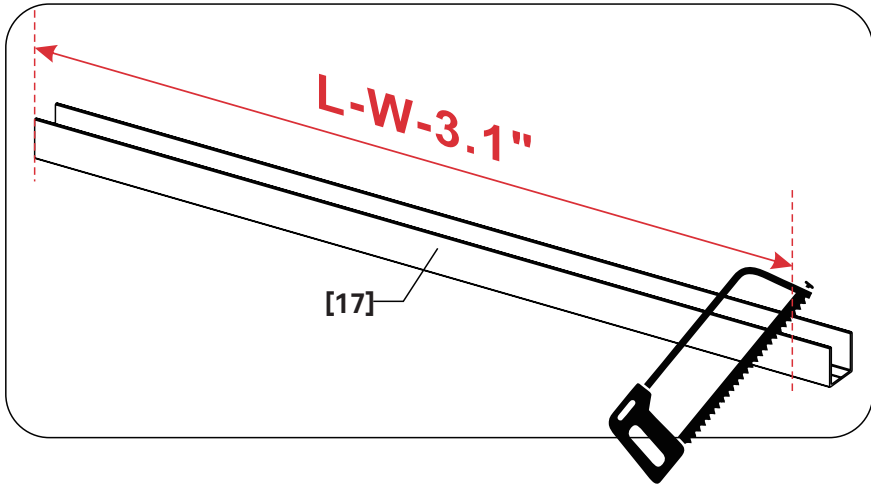
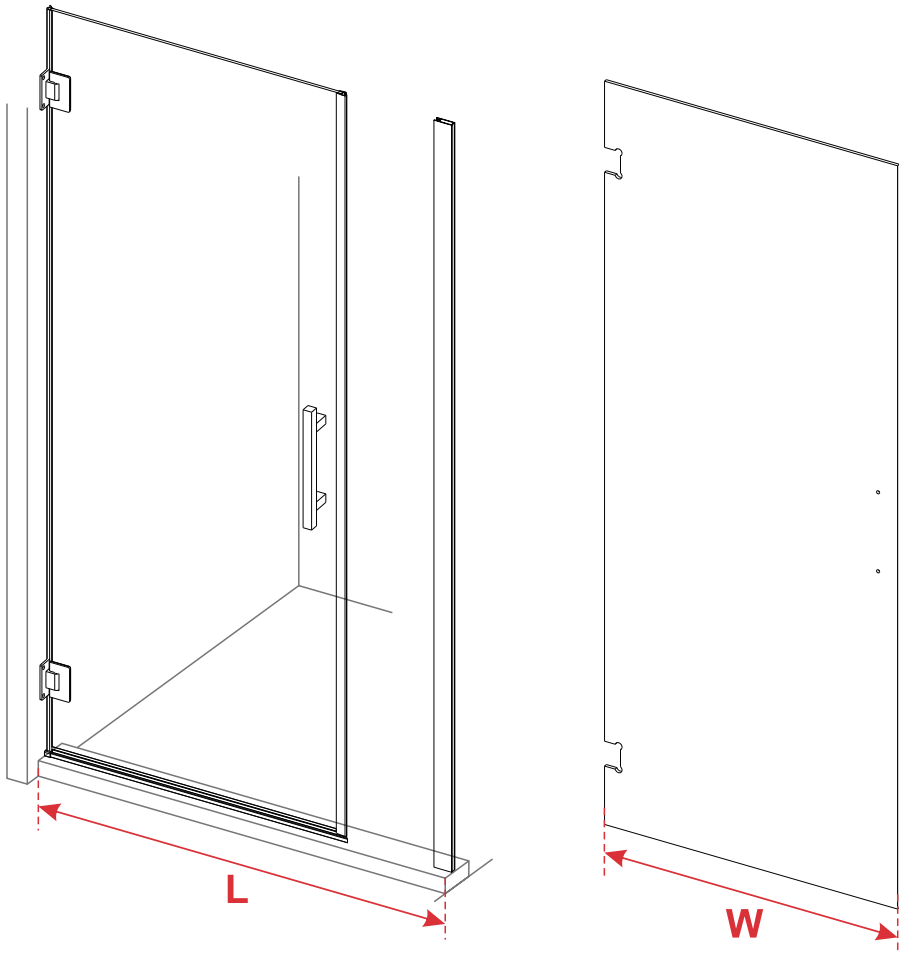
STYLE B: FIXED GLASS PANEL INSTALLATION

01

Hardware Used



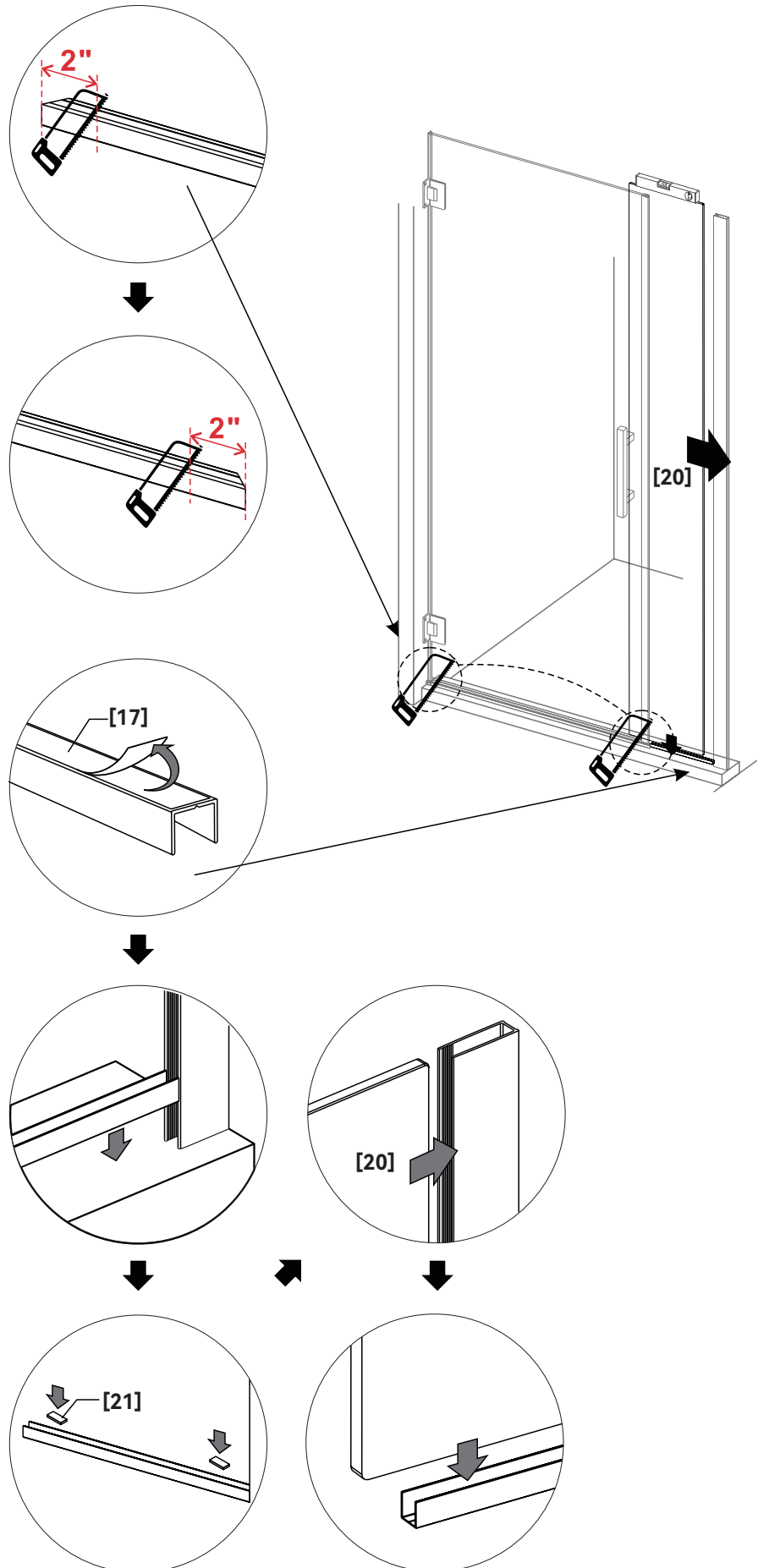
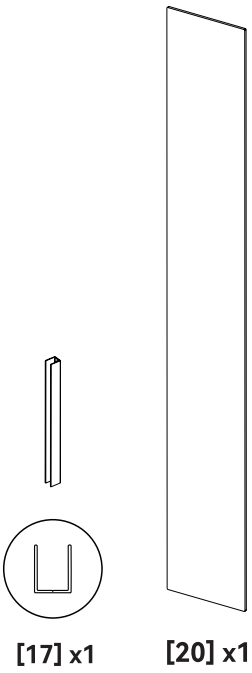
[17] x1



STYLE B: FIXED GLASS PANEL INSTALLATION

02

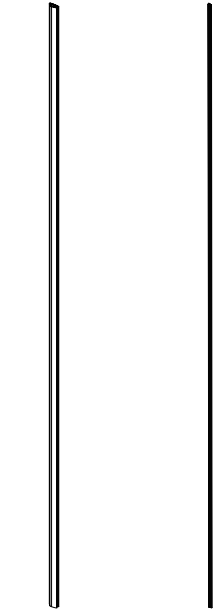
Hardware Used



STYLE B: FIXED GLASS PANEL INSTALLATION

03

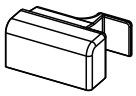
Hardware Used



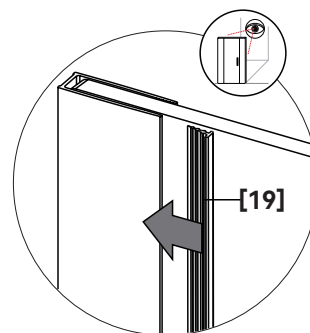
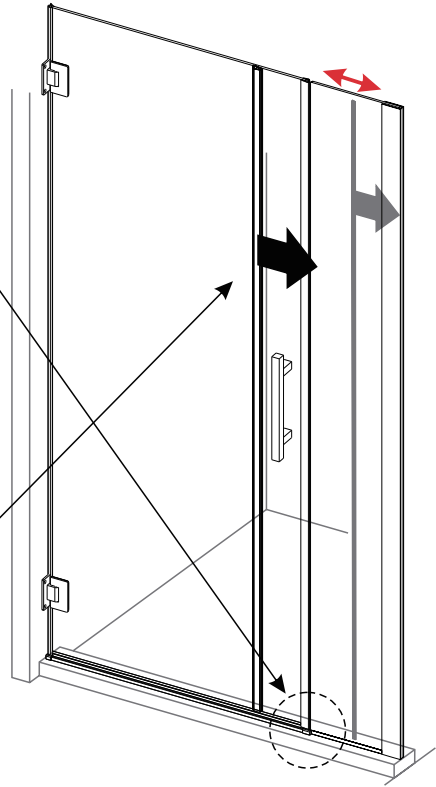
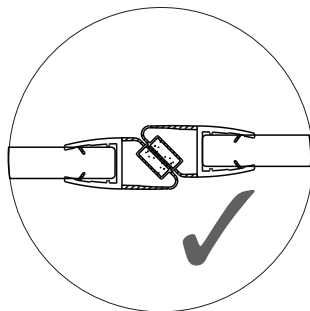
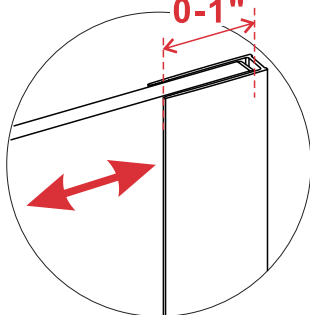
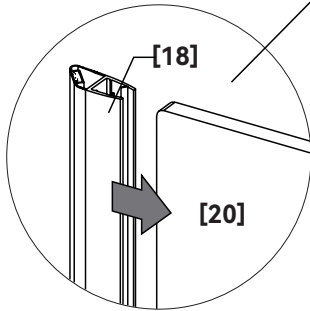
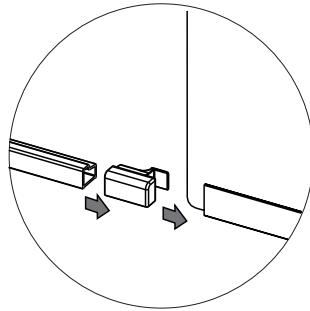
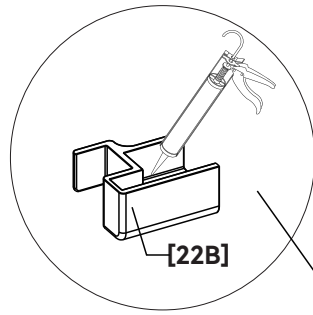
[18] x1



[19] x1



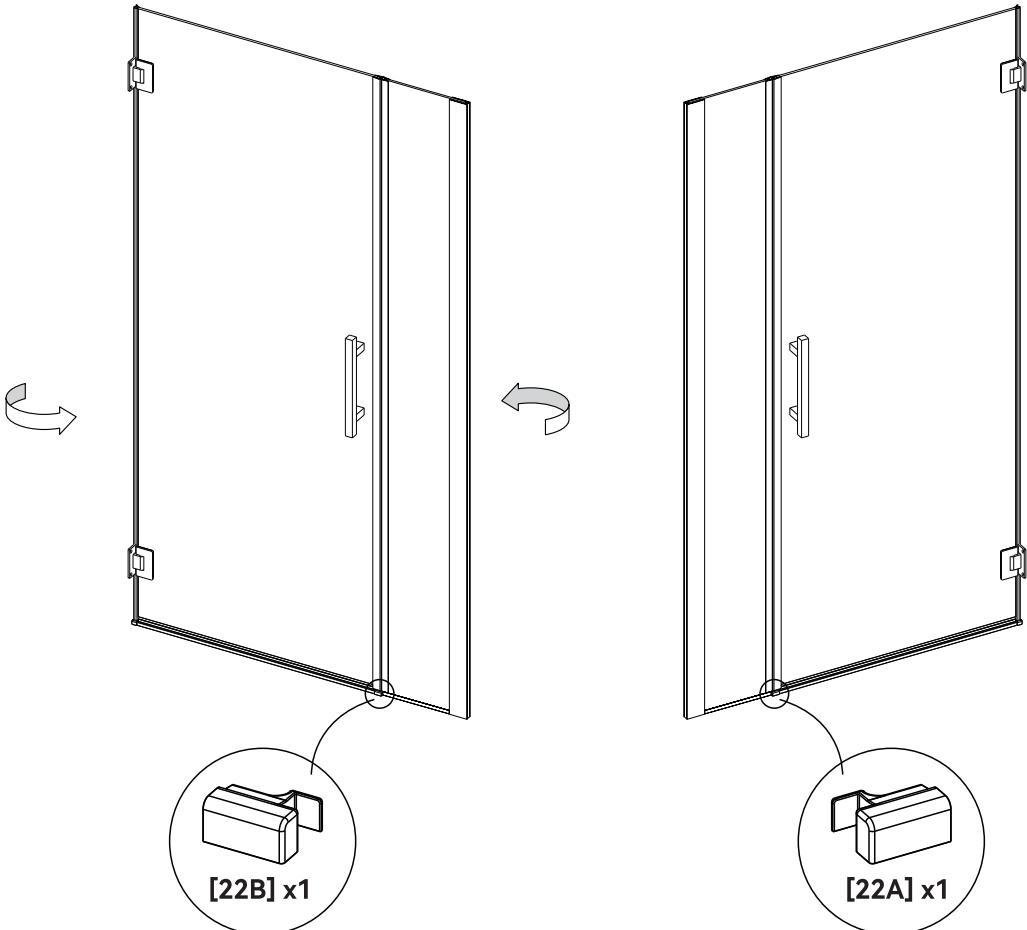
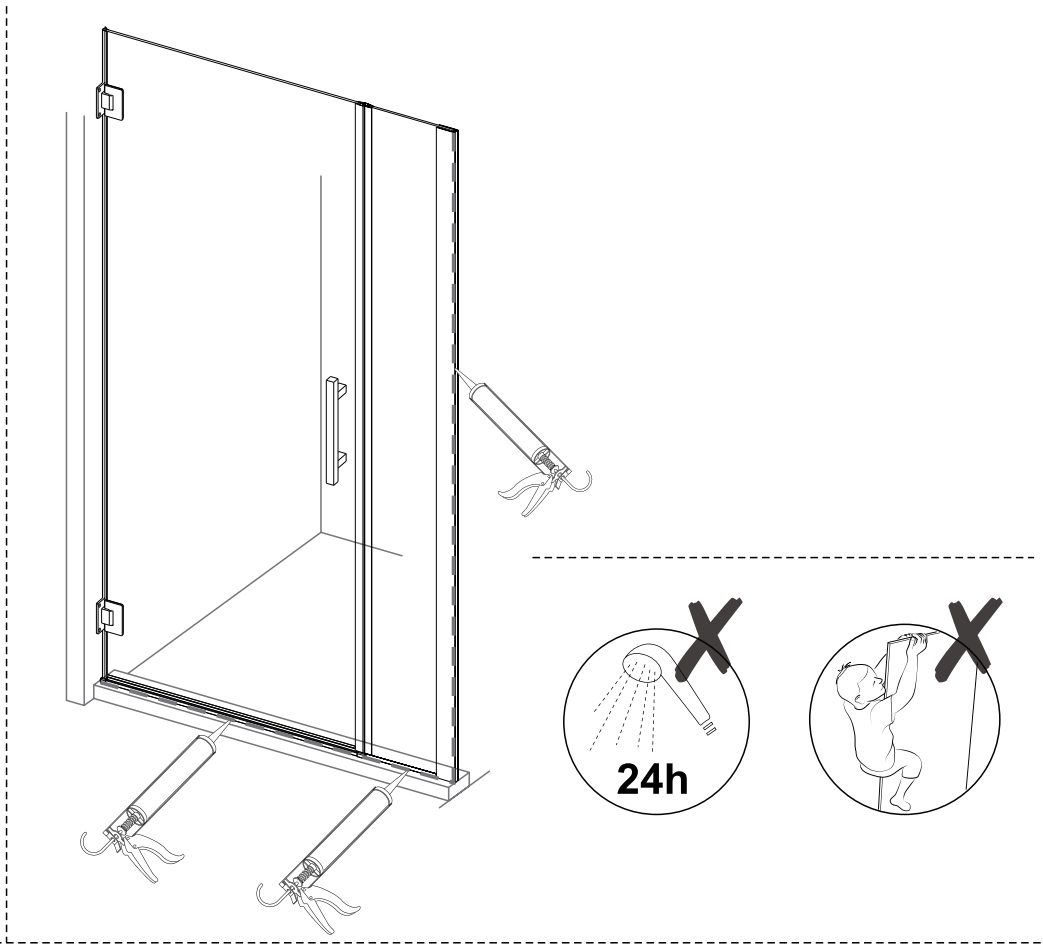
[22B] x1



Interior Side of Fixed Panel

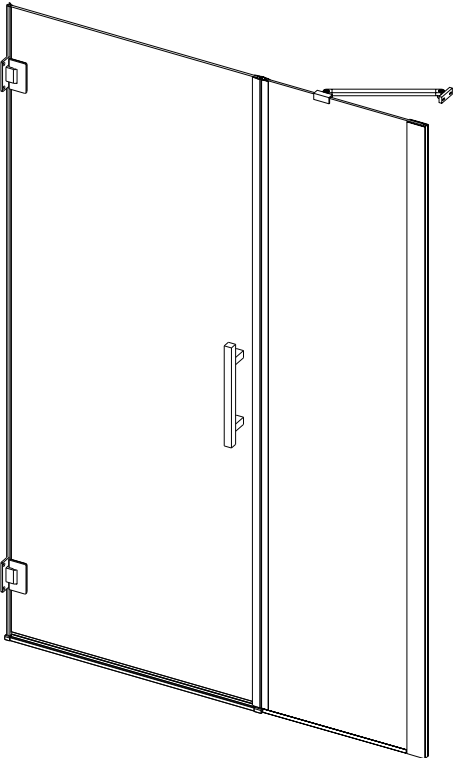
STYLE B: FIXED GLASS PANEL INSTALLATION

04

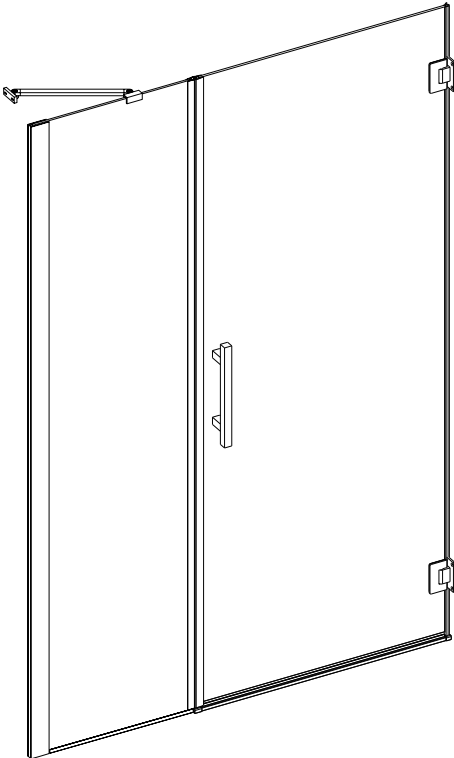


STYLE C: FIXED GLASS PANEL INSTALLATION

Style C : Assembled View



or

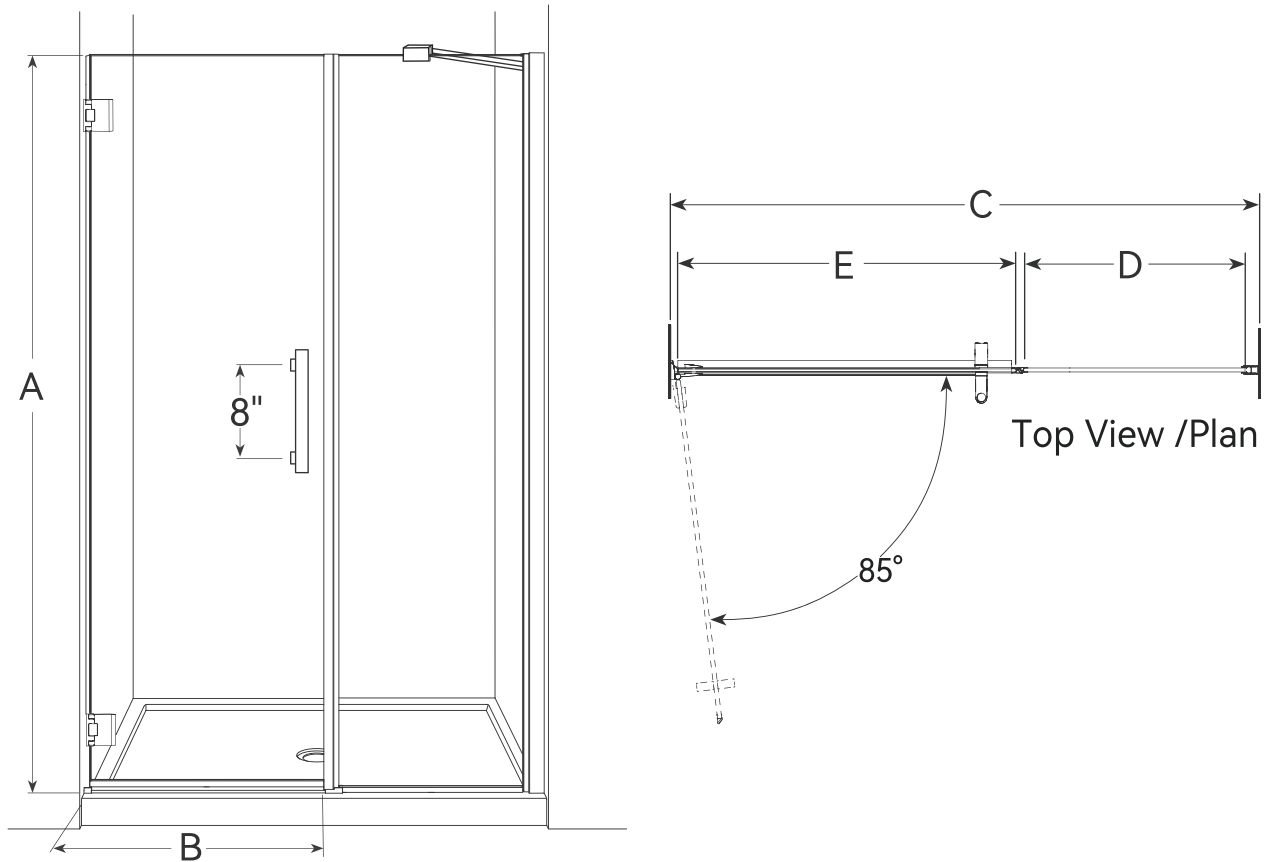


Left Hinged

Right Hinged

STYLE C: FIXED GLASS PANEL INSTALLATION

Style C: Product Dimension



NOTE: This model features double-sided nano Easy-Clean glass and is designed for reversible left- or right-hand hinged installation.

MODEL	HEIGHT (A)	APPROX. ENTRY OPENING (B)	WALL OPENING (C)	FIXED PANEL (D)	DOOR PANEL (E)
UNIFIT-D2324P2122**	72"	19 5/16"	42"-43"	20 1/4"	20 1/4"
UNIFIT-D2425P2122**	72"	20 5/16"	43"-44"	20 1/4"	21 5/16"
UNIFIT-D2526P2122**	72"	21 5/16"	44"-45"	20 1/4"	22 5/16"
UNIFIT-D2627P2122**	72"	22 5/16"	45"-46"	20 1/4"	23 1/4"
UNIFIT-D2728P2122**	72"	23 5/16"	46-47"	20 1/4"	24 5/16"
UNIFIT-D2829P2122**	72"	24 5/16"	47"-48"	20 1/4"	25 1/4"
UNIFIT-D2930P2122**	72"	25 5/16"	48"-49"	20 1/4"	26 5/16"
UNIFIT-D3031P2122**	72"	26 5/16"	49"-50"	20 1/4"	27 5/16"
UNIFIT-D3132P2122**	72"	27 5/16"	50"-51"	20 1/4"	28 1/4"

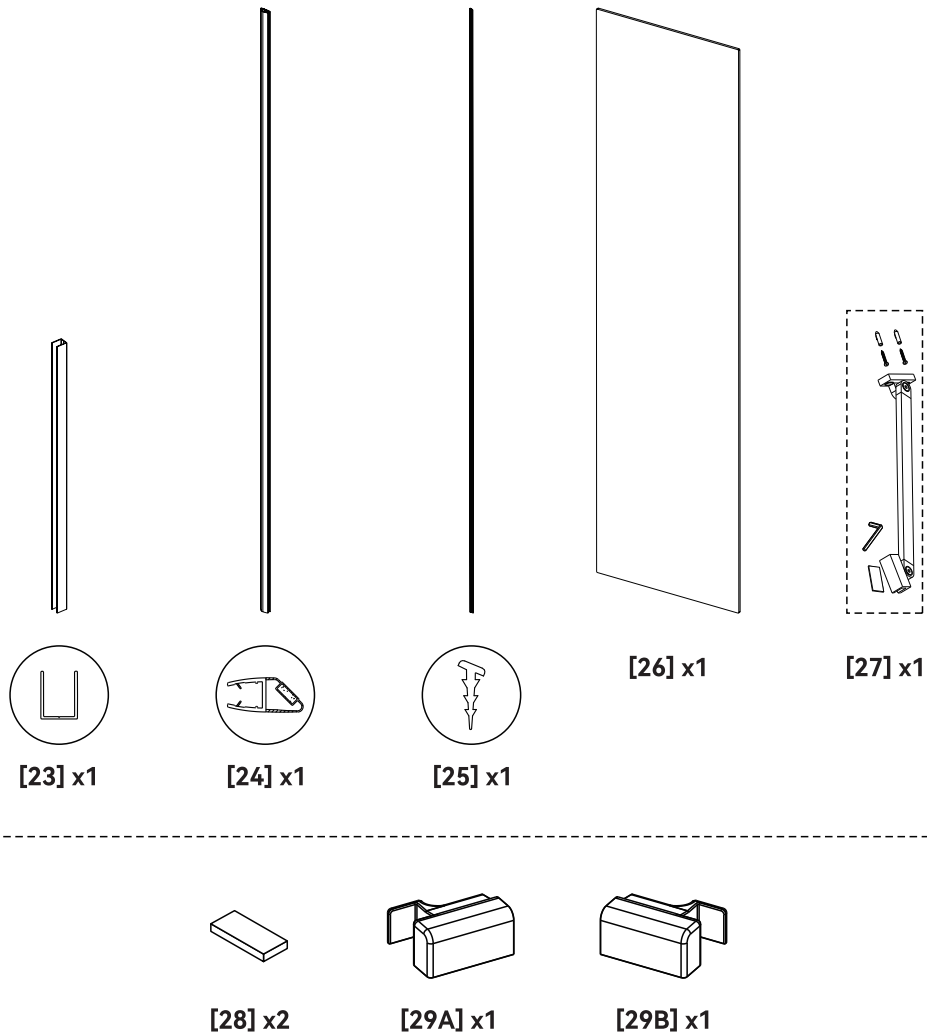
STYLE C: FIXED GLASS PANEL INSTALLATION

Style C : Product Dimension

MODEL	HEIGHT (A)	APPROX. ENTRY OPENING (B)	WALL OPENING (C)	FIXED PANEL (D)	DOOR PANEL (E)
UNIFIT-D2324P3031**	72"	19 5/16"	51"-52"	29 5/16"	20 1/4"
UNIFIT-D2425P3031**	72"	20 5/16"	52"-53"	29 5/16"	21 5/16"
UNIFIT-D2526P3031**	72"	21 5/16"	53"-54"	29 5/16"	22 5/16"
UNIFIT-D2627P3031**	72"	22 5/16"	54"-55"	29 5/16"	23 1/4"
UNIFIT-D2728P3031**	72"	23 5/16"	55"-56"	29 5/16"	24 5/16"
UNIFIT-D2829P3031**	72"	24 5/16"	56"-57"	29 5/16"	25 1/4"
UNIFIT-D2930P3031**	72"	25 5/16"	57"-58"	29 5/16"	26 5/16"
UNIFIT-D3031P3031**	72"	26 5/16"	58"-59"	29 5/16"	27 5/16"
UNIFIT-D3132P3031**	72"	27 5/16"	59"-60"	29 5/16"	28 1/4"

STYLE C: FIXED GLASS PANEL INSTALLATION

Style C : Fixed Glass Panel Parts List



PACKING LIST (continues from page 10)

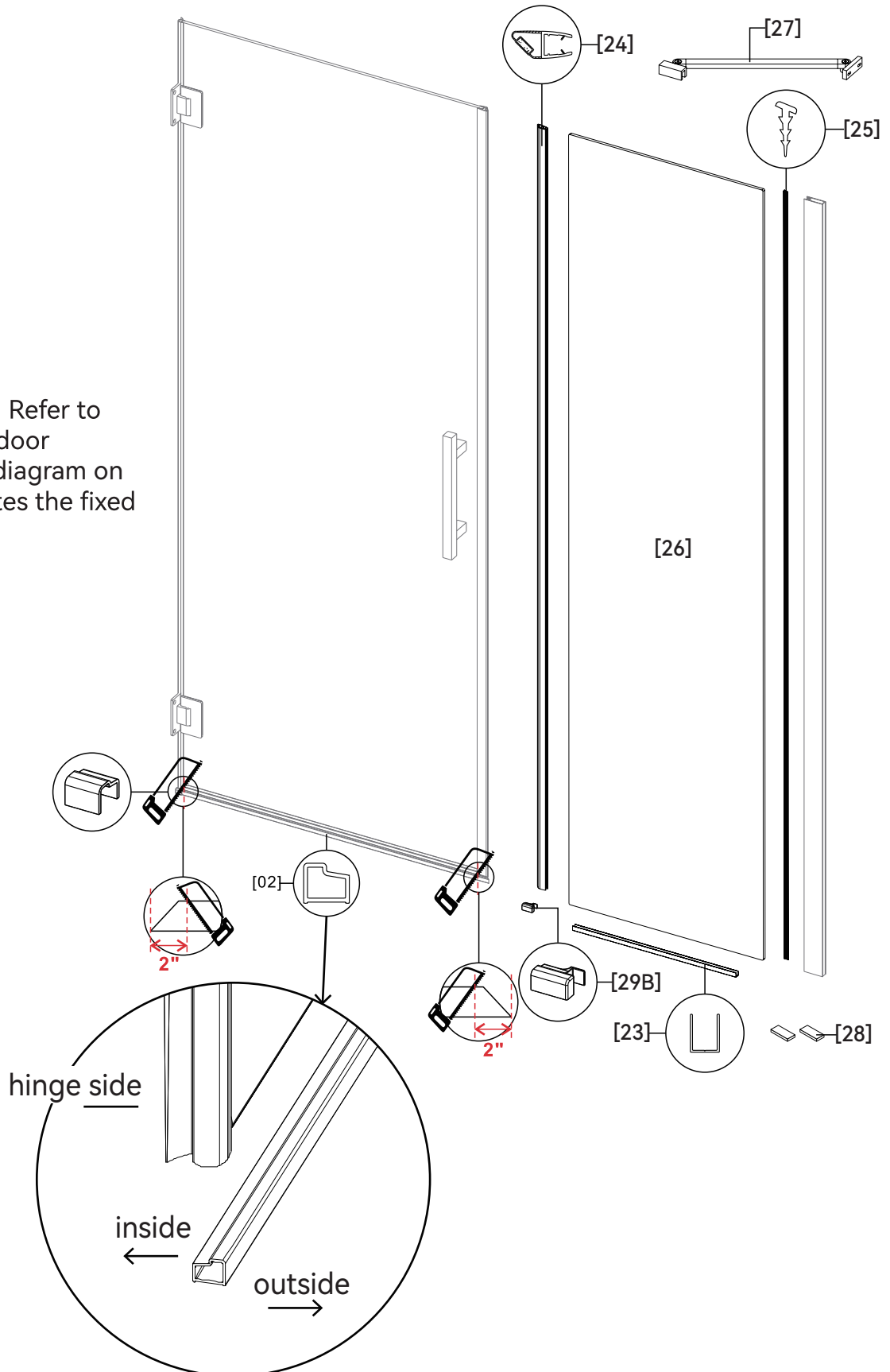
 keep small parts away from children

Part#	Description	Qty	Part#	Description	Qty
23	U-Channel	1pc	27	Support Bar	1pc
24	Magnetic Fixed Panel Gasket	1pc	28	U-Channel Glass Protector Pad	2pcs
25	Wall Jamb Gasket	1pc	29A	Fixed Panel Threshold Anchoer (right side)	1pc
26	Fixed Panel	1pc	29B	Fixed Panel Threshold Anchoer (left side)	1pc

STYLE C: FIXED GLASS PANEL INSTALLATION

Style C: Detailed Diagram of Fixed Glass Panel (Left Hinged)

NOTE: Important: Refer to page 6 for glass door installation. The diagram on this page illustrates the fixed panel only.

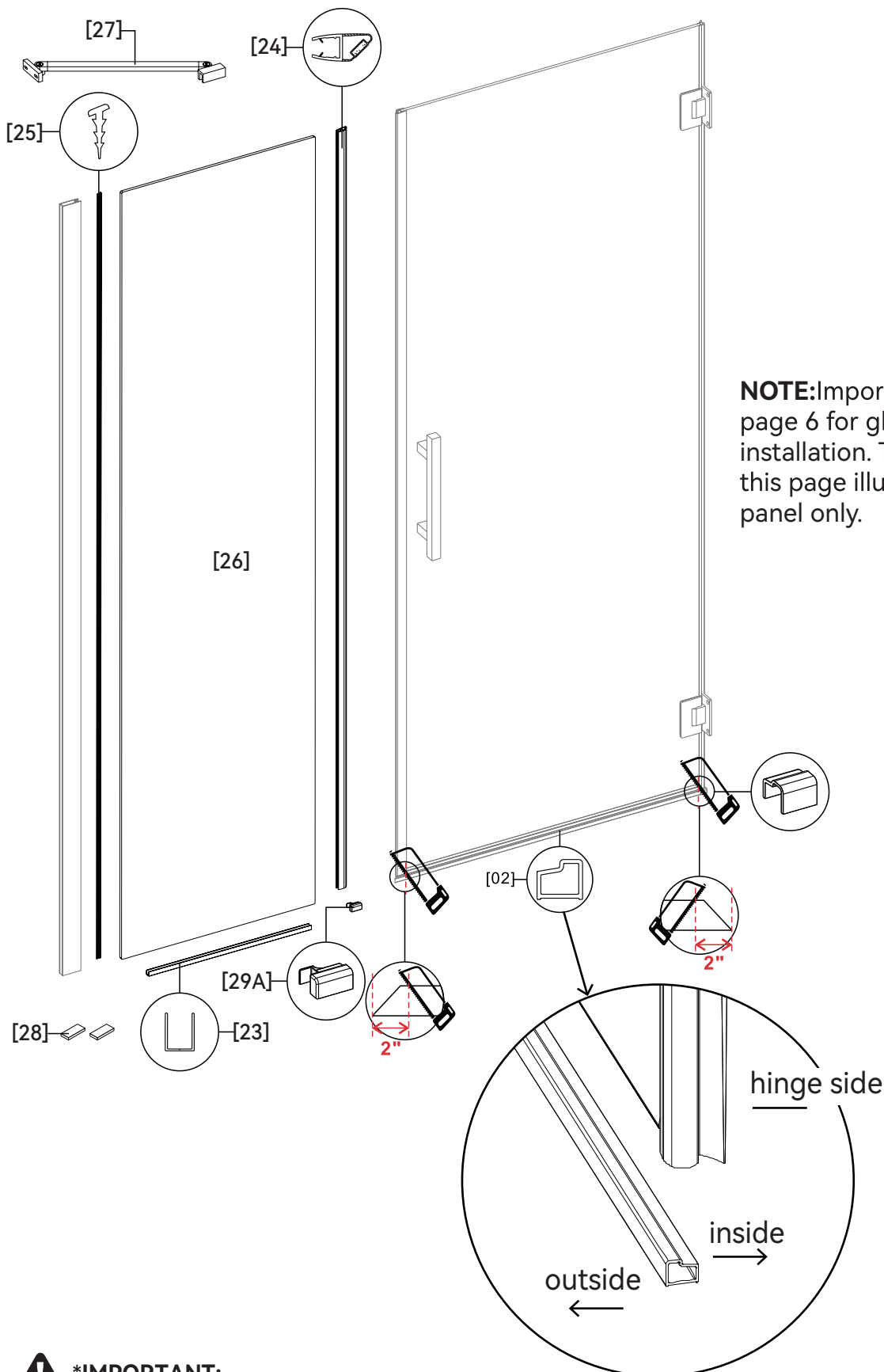


***IMPORTANT:**

1. Cut both ends of the aluminum threshold from 45° to 90°, approximately 2" from each end.
2. Caution: The 45° ends are sharp. Always wear gloves during handling and installation to avoid injury.

STYLE C: FIXED GLASS PANEL INSTALLATION

Style C: Detailed Diagram of Fixed Glass Panel (Left Hinged)



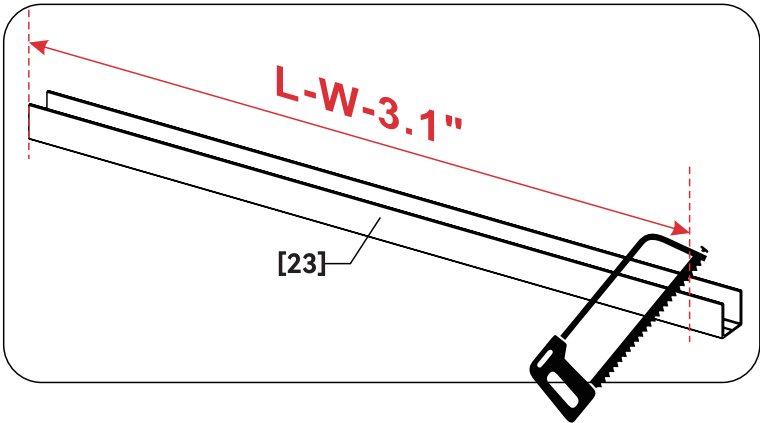
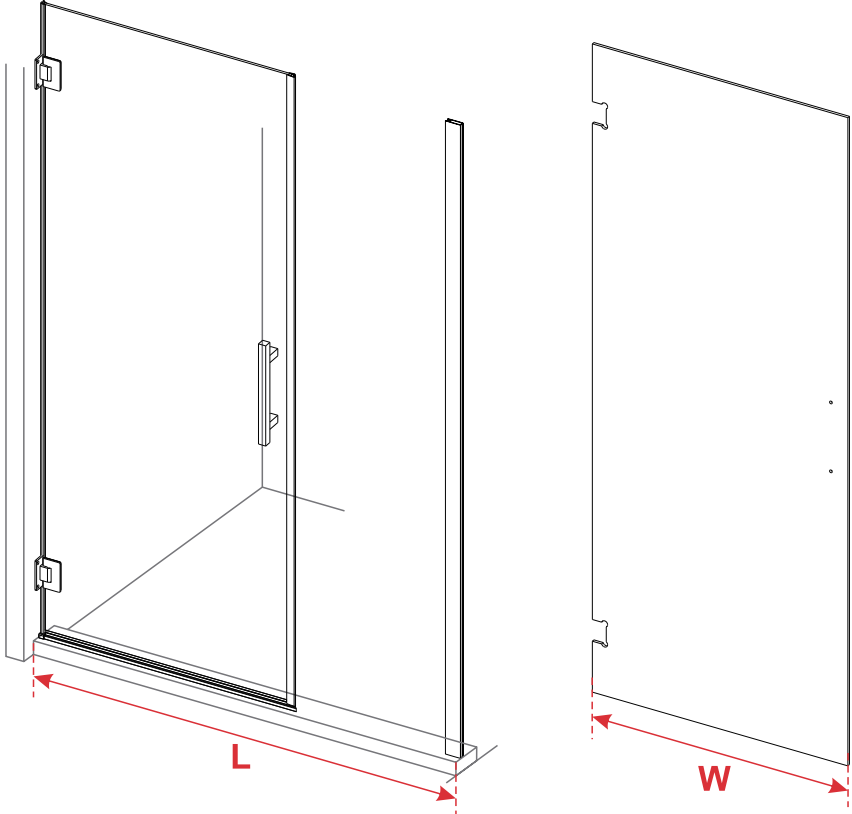
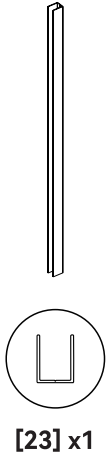
***IMPORTANT:**

1. Cut both ends of the aluminum threshold from 45° to 90°, approximately 2" from each end.
2. Caution: The 45° ends are sharp. Always wear gloves during handling and installation to avoid injury.

STYLE C: FIXED GLASS PANEL INSTALLATION

01

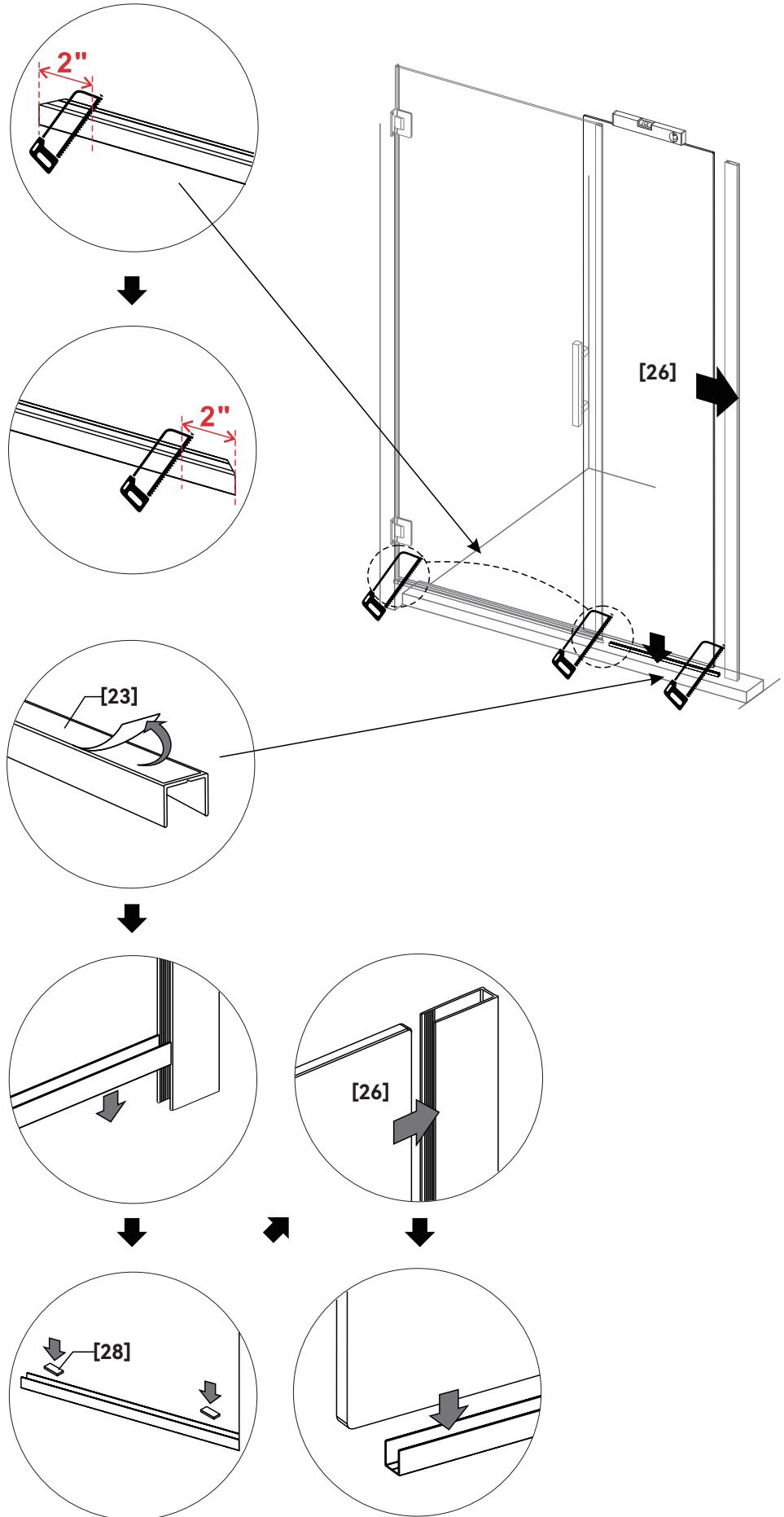
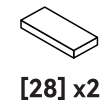
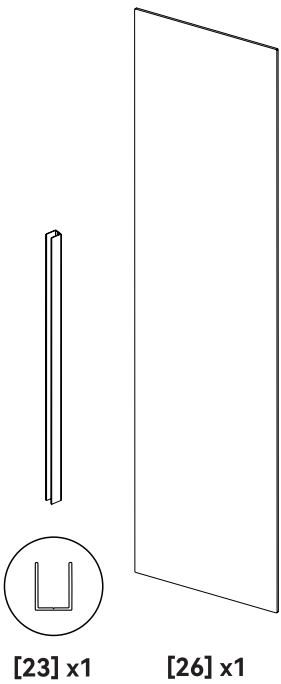
Hardware Used



STYLE C: FIXED GLASS PANEL INSTALLATION

02

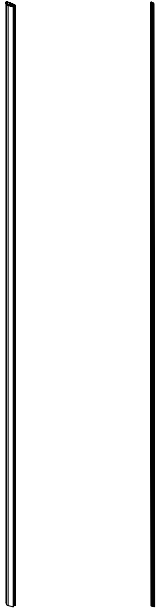
Hardware Used



STYLE C: FIXED GLASS PANEL INSTALLATION

03

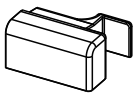
Hardware Used



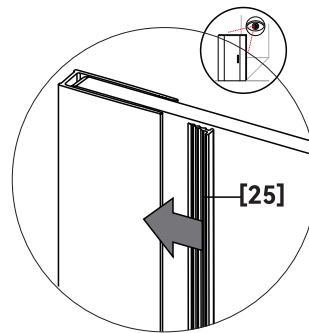
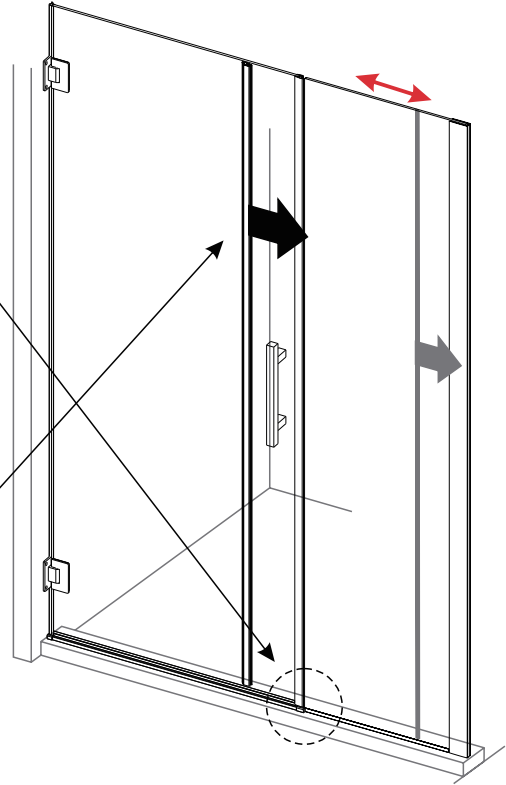
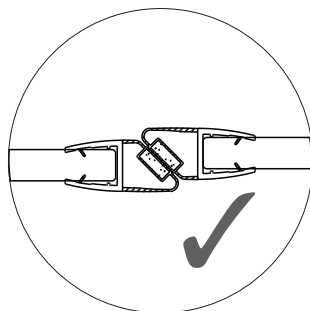
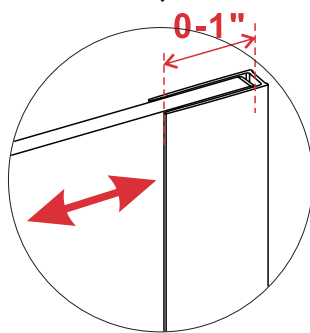
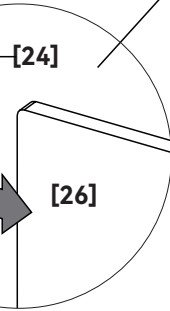
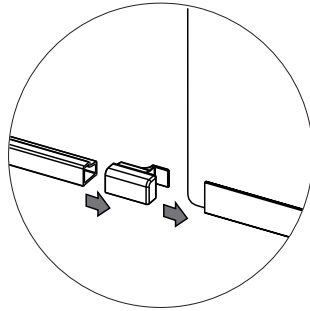
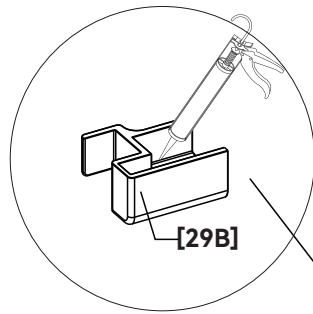
[24] x1



[25] x1



[29B] x1

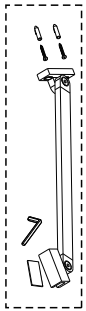


Interior Side of Fixed Panel

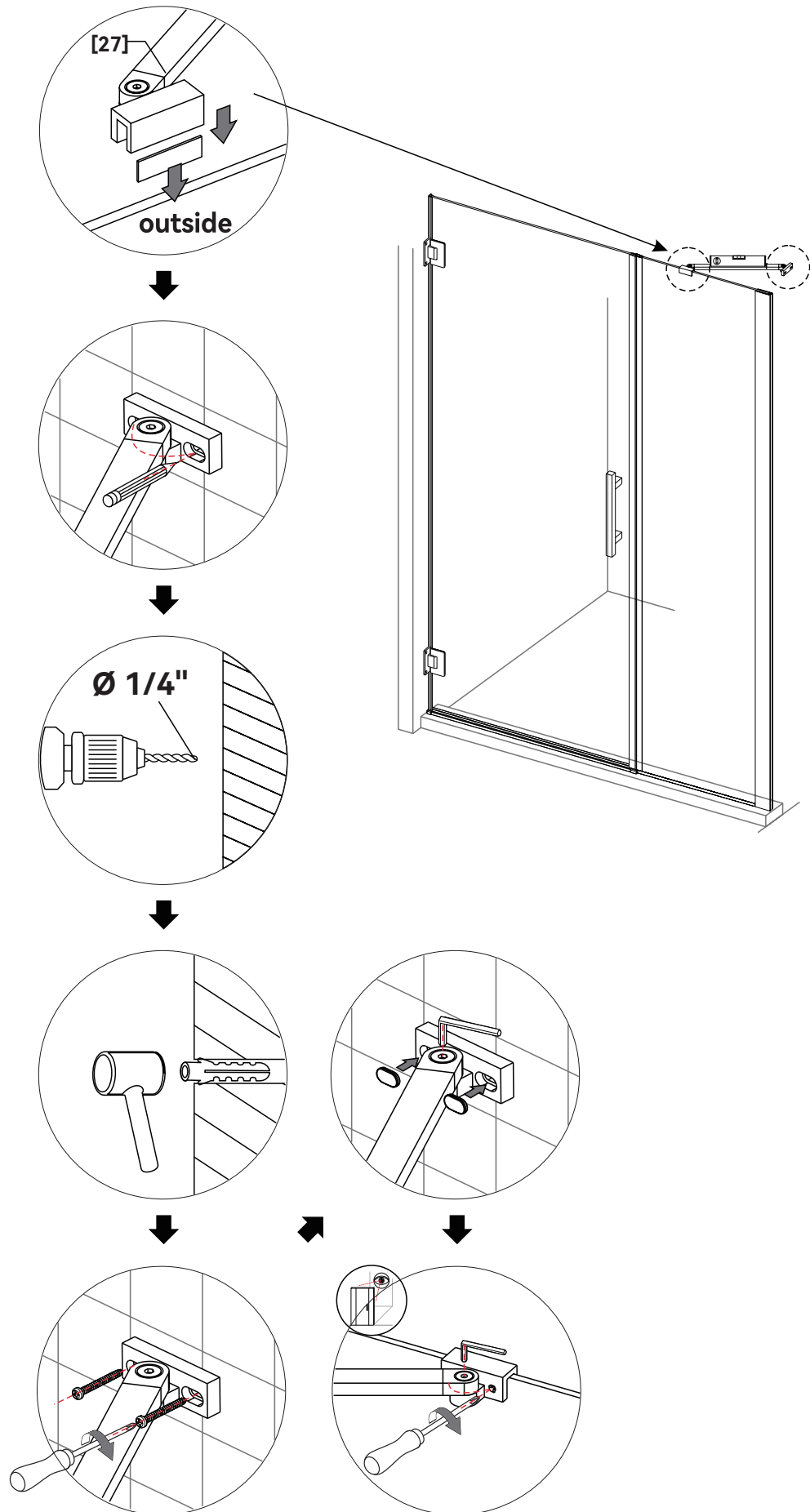
STYLE C: FIXED GLASS PANEL INSTALLATION

04

Hardware Used



[27] x1



STYLE C: FIXED GLASS PANEL INSTALLATION

05

