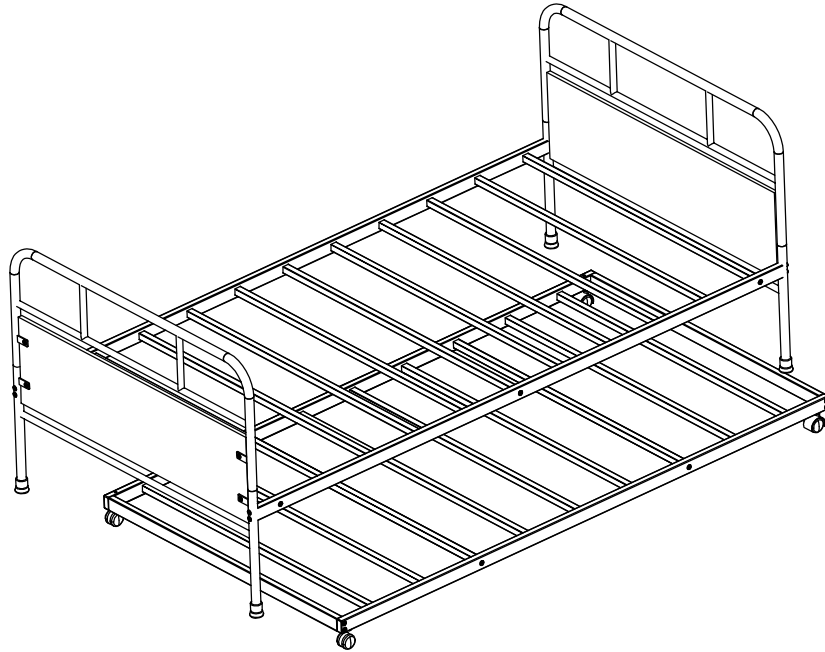
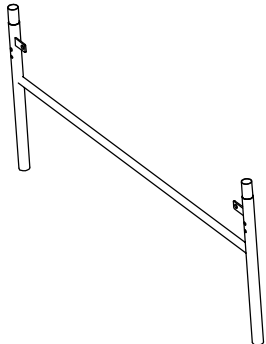
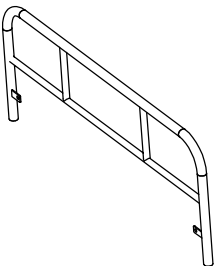
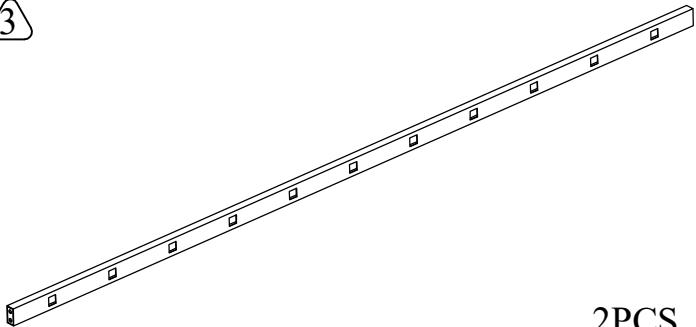
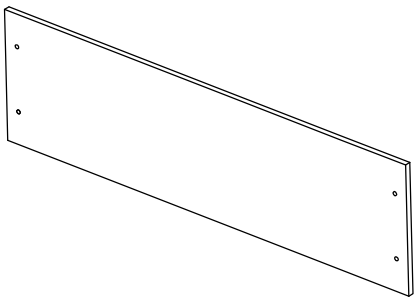
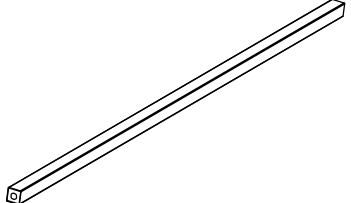
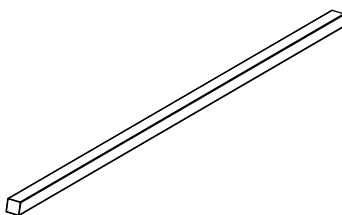


TRUNDLE BED

ASSEMBLY INSTRUCTIONS



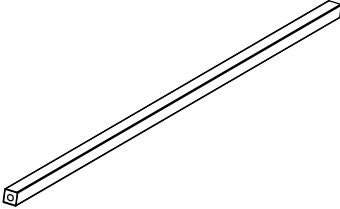
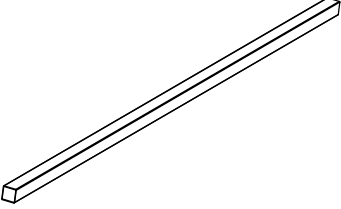
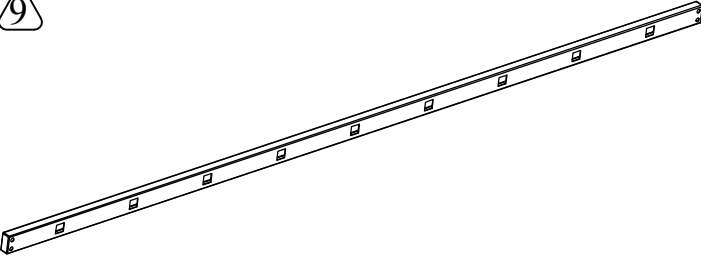
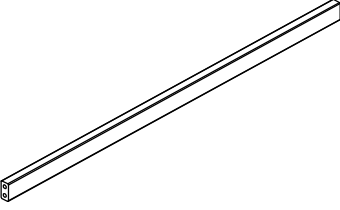
PART LIST

<p>①</p>  <p>2PCS</p>	<p>②</p>  <p>2PCS</p>
<p>③</p>  <p>2PCS</p>	<p>④</p>  <p>2PCS</p>
<p>⑤</p>  <p>3PCS</p>	<p>⑥</p>  <p>8PCS</p>

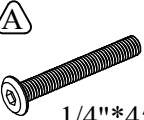
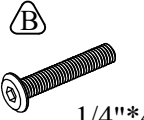
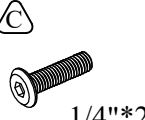
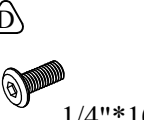



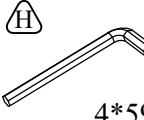
TRUNDLE BED

ASSEMBLY INSTRUCTIONS








PART LIST

 <p style="text-align: center;">7</p> <p style="text-align: center;">2PCS</p>	 <p style="text-align: center;">8</p> <p style="text-align: center;">7PCS</p>
 <p style="text-align: center;">9</p> <p style="text-align: center;">2PCS</p>	 <p style="text-align: center;">10</p> <p style="text-align: center;">2PCS</p>

HARDWARE LIST

 <p style="text-align: center;">A</p> <p style="text-align: center;">1/4"*45 8PCS</p>	 <p style="text-align: center;">B</p> <p style="text-align: center;">1/4"*40 8PCS</p>	 <p style="text-align: center;">C</p> <p style="text-align: center;">1/4"*20 10PCS</p>	 <p style="text-align: center;">D</p> <p style="text-align: center;">1/4"*10 8PCS</p>	 <p style="text-align: center;">E</p> <p style="text-align: center;">Ø25 4PCS</p>	 <p style="text-align: center;">F</p> <p style="text-align: center;">NO LOCK 2PCS</p>	 <p style="text-align: center;">G</p> <p style="text-align: center;">LOCK 2PCS</p>	 <p style="text-align: center;">H</p> <p style="text-align: center;">4*59 2PCS</p>
--	---	--	---	---	--	--	--

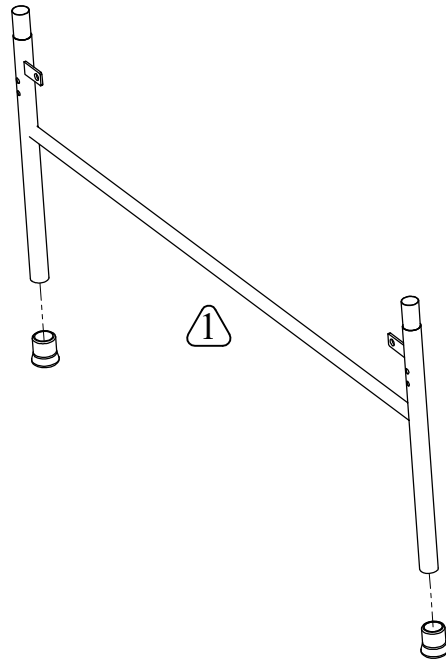
IMPORTANT SAFETY NOTICE: READ CAREFULLY BEFORE BEGINNING ASSEMBLY!

-  Do not stand on for your safety.
-  Follow the assembly steps in order. Do not skip any steps.
-  Please do not tighten any screw before each is well placed in appropriate holes.
-  Please tighten up all screws before usage to avoid any potential safety hazard.
-  Please double check to ensure all the screws are well placed in appropriate holes if any assembly issue occurs.
-  Be sure to check all packing materials carefully for small parts may have come loose inside the carton during shipment. If parts are missing, contact the retailer from which you purchased the product to obtain any missing parts. **DO NOT USE SUBSTITUTE PARTS.**
-  Keep the instructions for future reference.

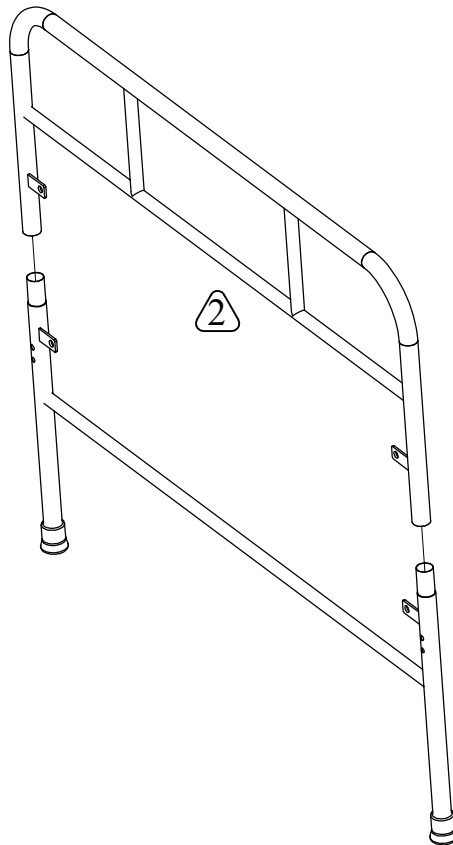
TRUNDLE BED

ASSEMBLY INSTRUCTIONS

STEP 1: 2 SET



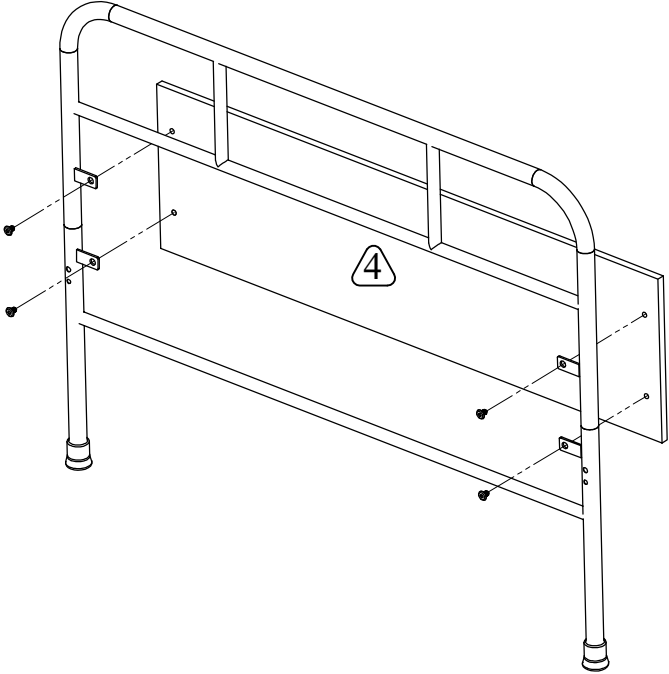
STEP 2: 2 SET


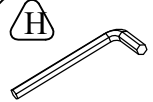


TRUNDLE BED

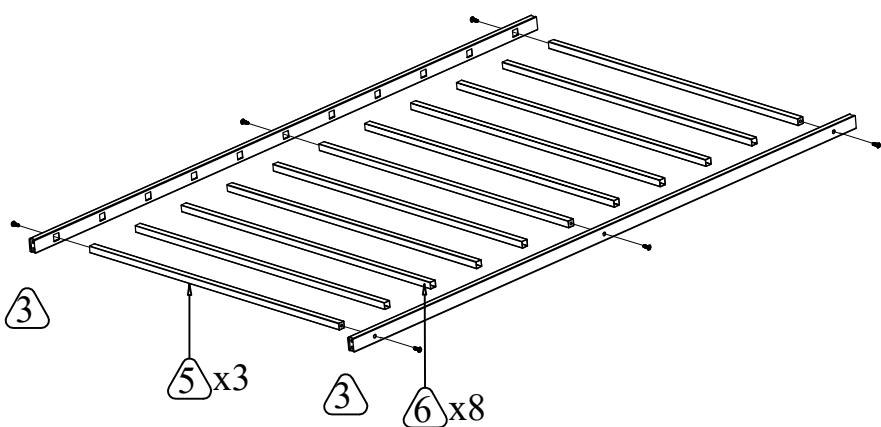
ASSEMBLY INSTRUCTIONS


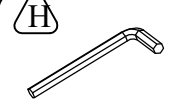
STEP 3: 2 SET



 1/4"*10 4PCS	
---	--

STEP 4

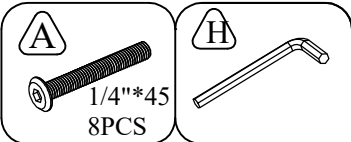
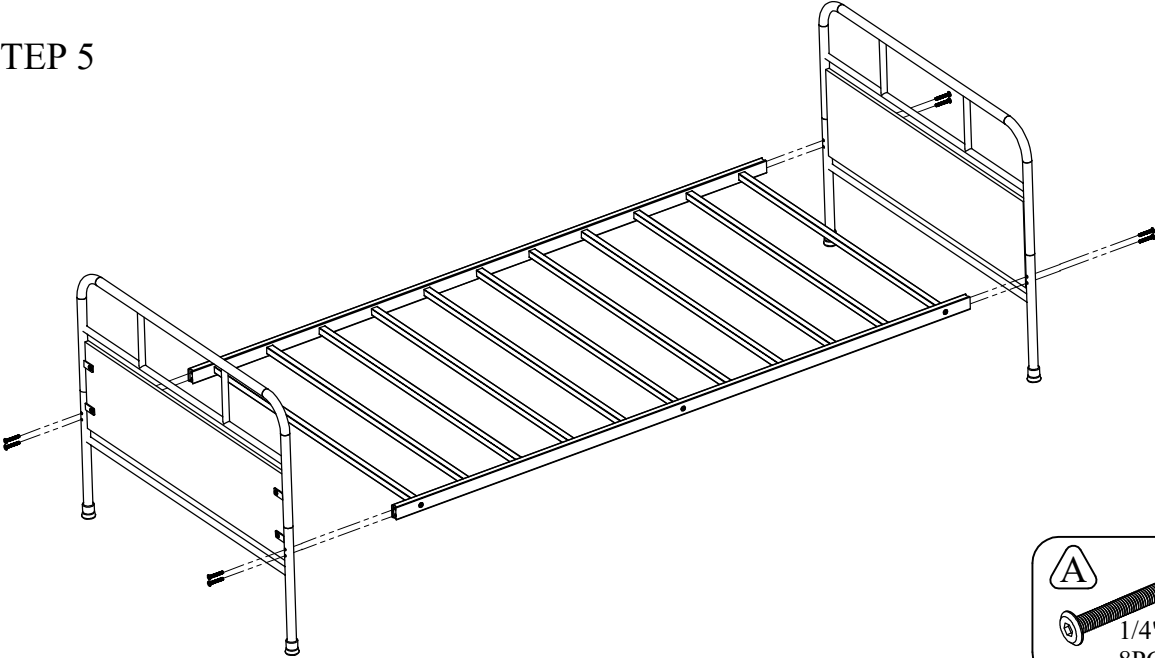


 1/4"*20 6PCS	
--	---

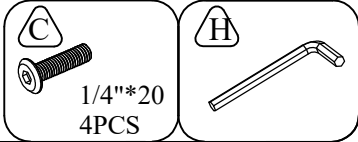
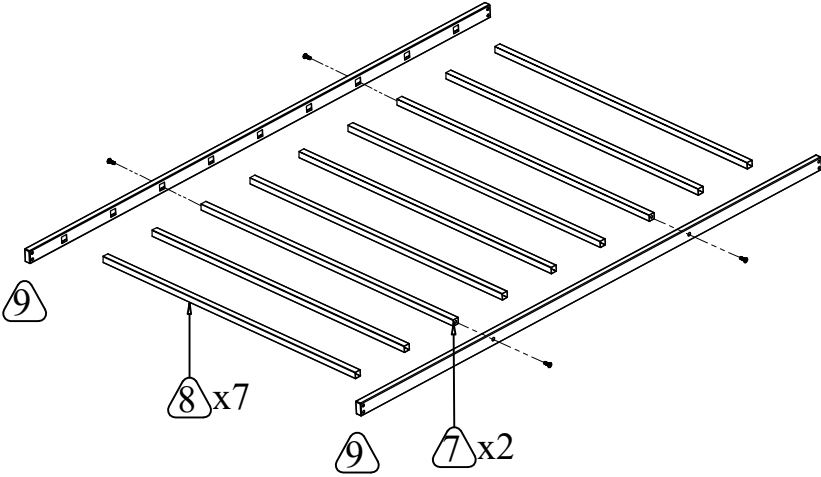
TRUNDLE BED

ASSEMBLY INSTRUCTIONS

STEP 5



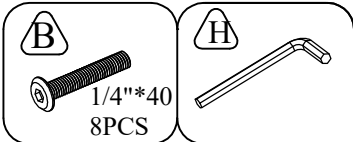
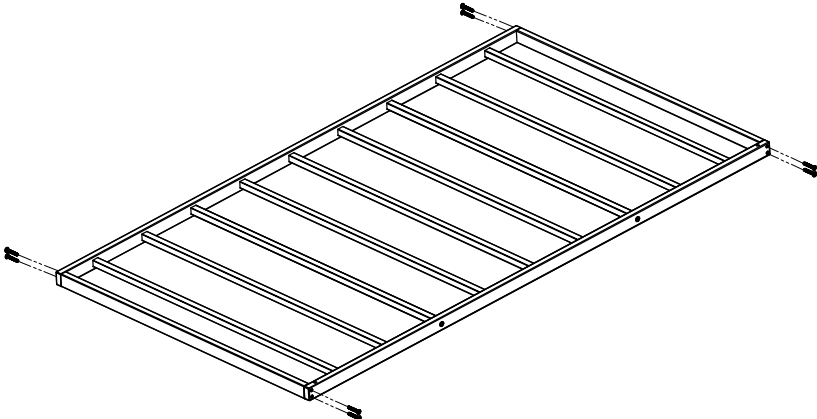
STEP 6



TRUNDLE BED

ASSEMBLY INSTRUCTIONS

STEP 7



STEP 8

