

ASSEMBLY INSTRUCTIONS



Fine Furniture for every stage of life

BARSTOOL

REVISION 0 : 06/16/2020
REVISION 1 : 09/15/2020
REVISION 2 : 08/01/2022

PAGE 1 OF 3

ASSEMBLY INSTRUCTIONS

ASSEMBLY TIPS:

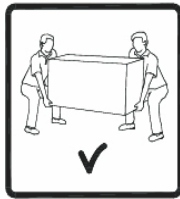
1. Remove hardware from box and sort by size.
2. Please check to see that all hardware and parts are present prior to start of assembly.
3. Please follow attached instructions in the same sequence as numbered to assure fast & easy assembly.



Warning!

1. Don't attempt to repair or modify parts that are broken or defective. Please contact the store immediately.




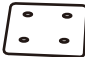

2. This product is for home use only and not intended for commercial establishments.










ASSEMBLY TIME

5 MINUTES

PARTS IDENTIFICATION

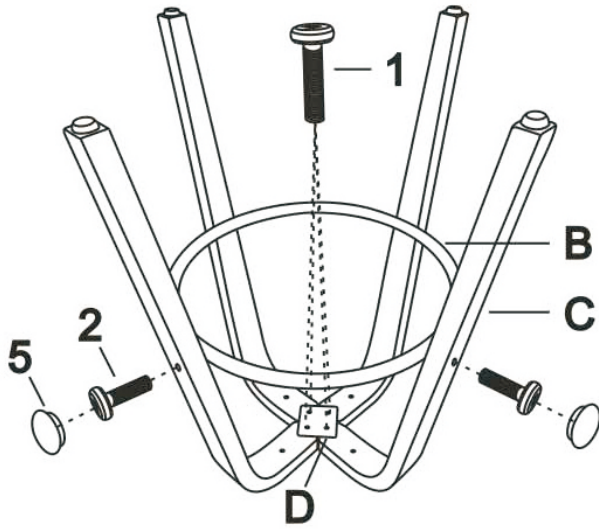
	PART NAME	FIGURE	QTY
A	SEAT		1 PC
B	FOOT REST		1 PC
C	LEG		4 PC
D	METAL PLATE		1 PC
E	SWIVEL PLATE		1 PC

HARDWARE IDENTIFICATION

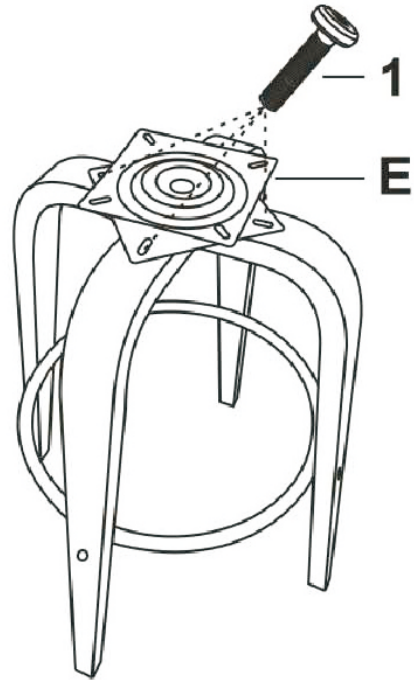
	HARDWARE NAME	FIGURE	QTY
1	BOLTS M6x30MM		9PCS
2	BOLTS M6x25MM		5PCS
3	BOLTS M6x20MM		3PCS
4	BOLTS M6x16MM		3PCS
5	PLASTIC CAP		4PCS
6	RUBER WASHER		2PCS
7	ALLEN WRENCH M5		1 PC

ASSEMBLY INSTRUCTIONS

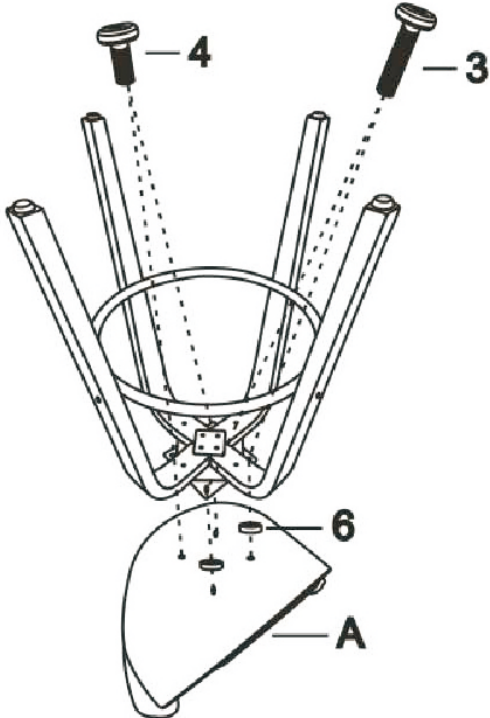
STEP1



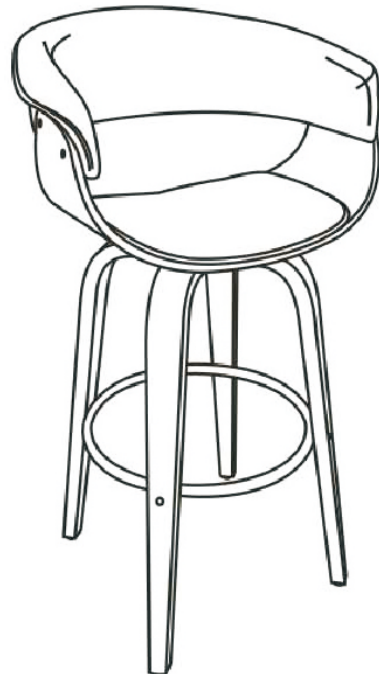
STEP2



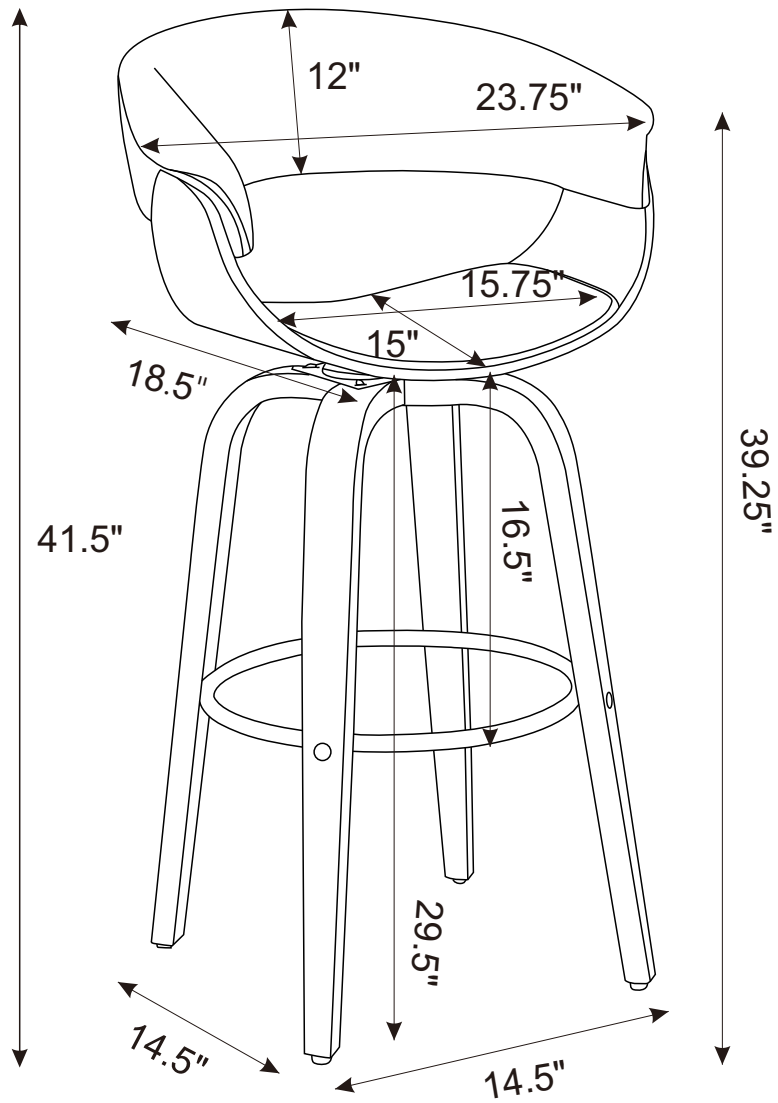
STEP3



STEP4



ASSEMBLY INSTRUCTIONS



Note: Dimension tolerance $\pm 5\%$