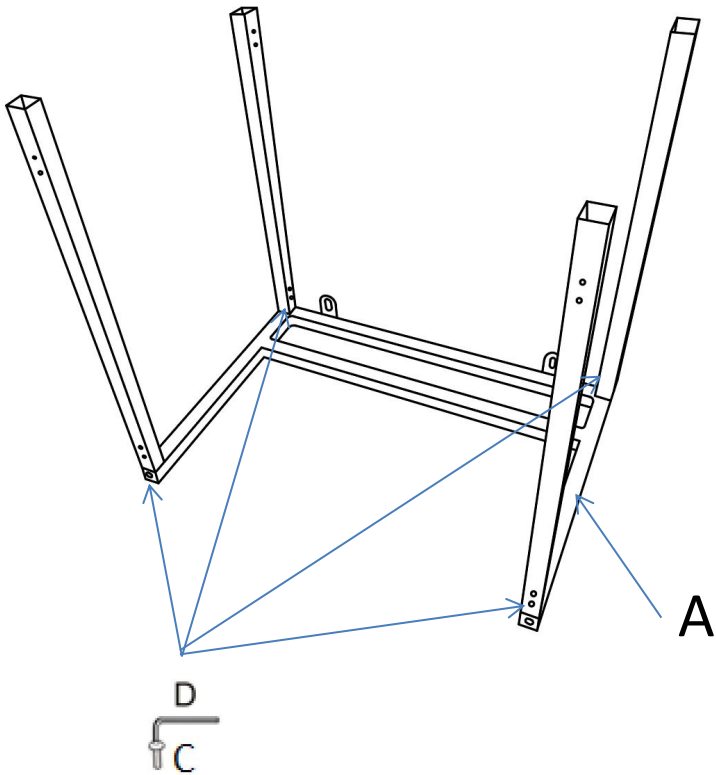


# ACCENT CHAIR

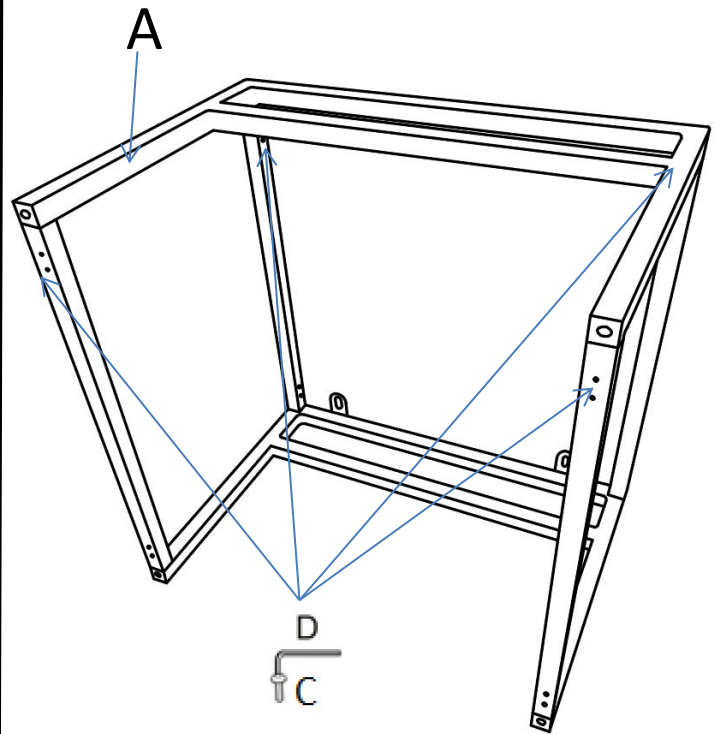


PARTSLIST		
LABEL	PICTURE	QTY
A	A line drawing of a chair leg assembly, showing a vertical leg connected to a horizontal crossbar with a small fastener at the junction.	2
B	A line drawing of a horizontal bar with small circular end caps or fasteners at each end.	4
B-L	A line drawing of the chair seat and backrest assembly, showing the curved seat and the high backrest.	1
HARDWARE		
LABEL	PICTURE	QTY
C	A line drawing of a bolt with a hexagonal head and a threaded shaft. The text "M6X12" is printed to the right of the bolt.	16
D	A line drawing of an L-shaped metal bracket.	1
E	A line drawing of a bolt with a hexagonal head and a threaded shaft. The text "M6X20" is printed to the right of the bolt.	4
F	A line drawing of a circular washer or gasket with a central hole.	4

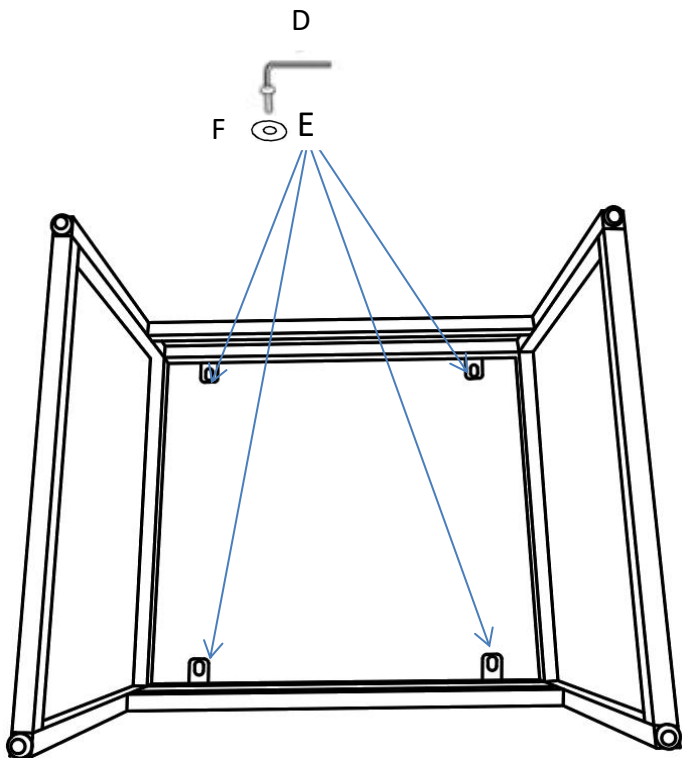
### Step 1



### Step 2



### Step 3



### Step 4

