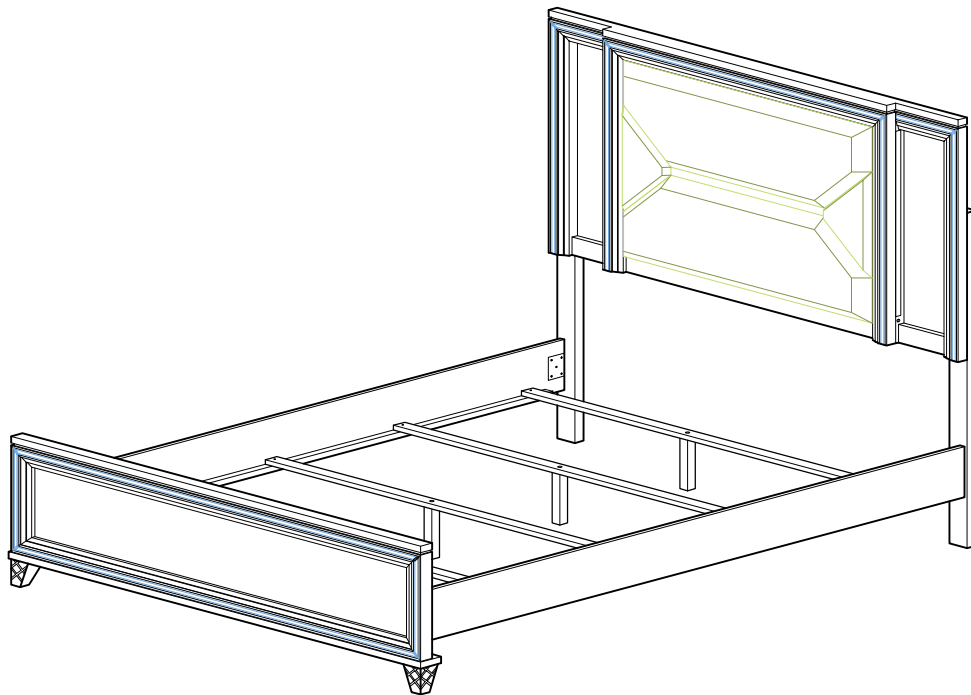


ASSEMBLY INSTRUCTIONS
COASTER FINE FURNITURE



Fine Furniture for every stage of life

224961Q (B1-B3)
Queen Bed

ITEM: 224961Q (B1-B3)



ASSEMBLY INSTRUCTIONS

ASSEMBLY TIPS:

1. Remove hardware from box and sort by size.
2. Please check to see that all hardware and parts are present prior to start of assembly.
3. Please follow attached instructions in the same sequence as numbered to assure fast & easy assembly.



WARNING!

1. Don't attempt to repair or modify parts that are broken or defective. Please contact the store immediately.
2. This product is for home use only and not intended for commercial establishments.



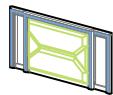
ASSEMBLY TIME

30 MINUTES

PARTS IDENTIFICATION

B1 (BOX 1)

A HEADBOARD PANEL



1PC

B LEFT HEADBOARD LEG



1PC

C RIGHT HEADBOARD LEG



1PC

D ADAPTER



1PC

B2 (BOX 2)

E FOOTBOARD PANEL



1PC

F FOOTBOARD FOOT



2PCS

G BED SLAT



4PCS

H BED SLAT SUPPORT



4PCS

B3 (BOX 3)

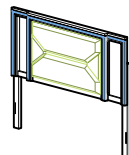
I BED RAIL



2PCS

HB

224961Q(B1)
FROM BOX 1
HEADBOARD
COMPLETE



1PC

FB

224961Q(B2)
FROM BOX 2
FOOTBOARD
COMPLETE



1PC

ITEM: 224961Q (B1-B3)



ASSEMBLY INSTRUCTIONS

ASSEMBLY TIPS:

1. Remove hardware from box and sort by size.
2. Please check to see that all hardware and parts are present prior to start of assembly.
3. Please follow attached instructions in the same sequence as numbered to assure fast & easy assembly.







WARNING!



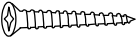
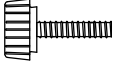

1. Don't attempt to repair or modify parts that are broken or defective. Please contact the store immediately.
2. This product is for home use only and not intended for commercial establishments.

HARDWARE IDENTIFICATION

Z-B1 (BOX 1) - HARDWARE PACK IS LOCATED IN 224961Q (B1)

1	BOLT (M6 x 40mm - RBW)		6PCS
2	LOCK WASHER (M6 x 12mm - RBW)		6PCS
3	FLAT WASHER (M6 x 13mm - RBW)		6PCS
4	ALLEN WRENCH (M4 x 60mm - BLK)		1PC

Z-B2 (BOX 2) - HARDWARE PACK IS LOCATED IN 224961Q (B2)

5	BOLT (M6 x 35mm - RBW)		4PCS
6	LOCK WASHER (M6 x 12mm - RBW)		4PCS
7	FLAT HEAD SCREW (M3.5 x 32mm - RBW)		8PCS
8	ADJUSTABLE LEVELER (M6 x 39mm)		4PCS
9	ALLEN WRENCH (M4 x 60mm - BLK)		1PC

NOTE:

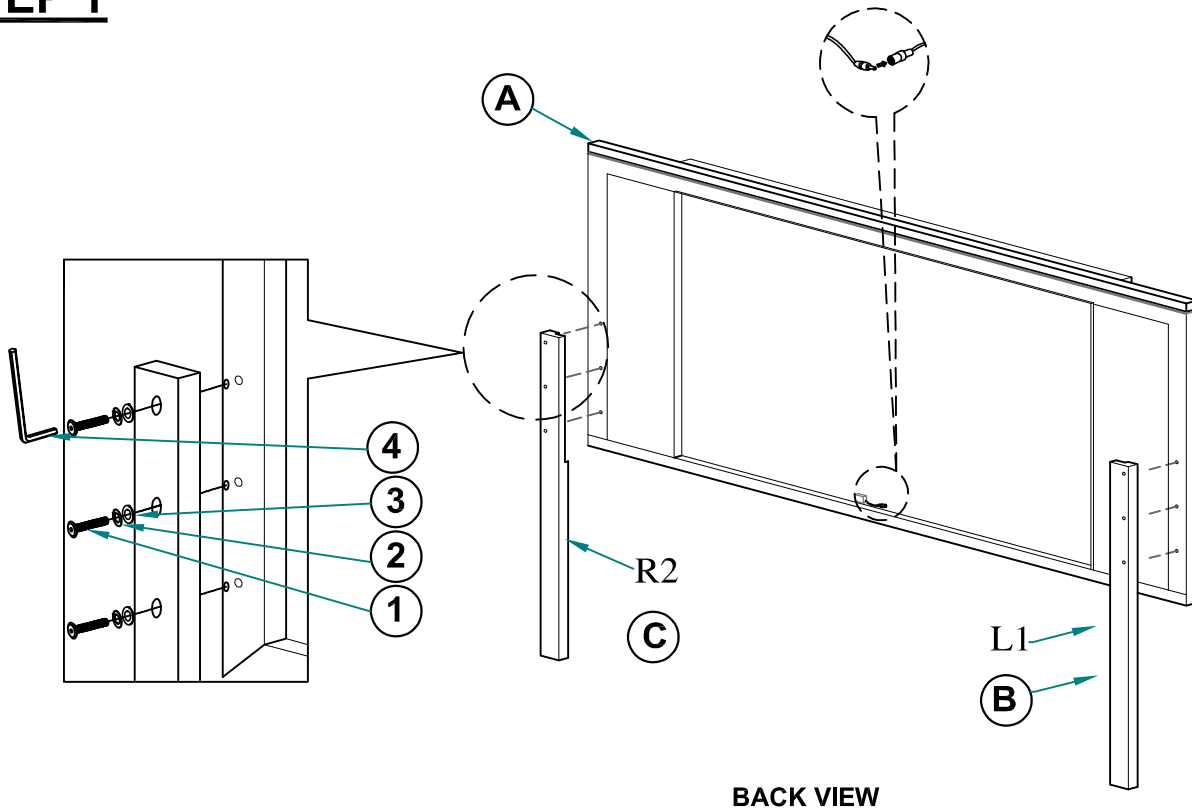
Phillips head screw driver is required in the assembly process; however, manufacturer does not provide this item.

ITEM: 224961Q (B1-B3)

ASSEMBLY INSTRUCTIONS

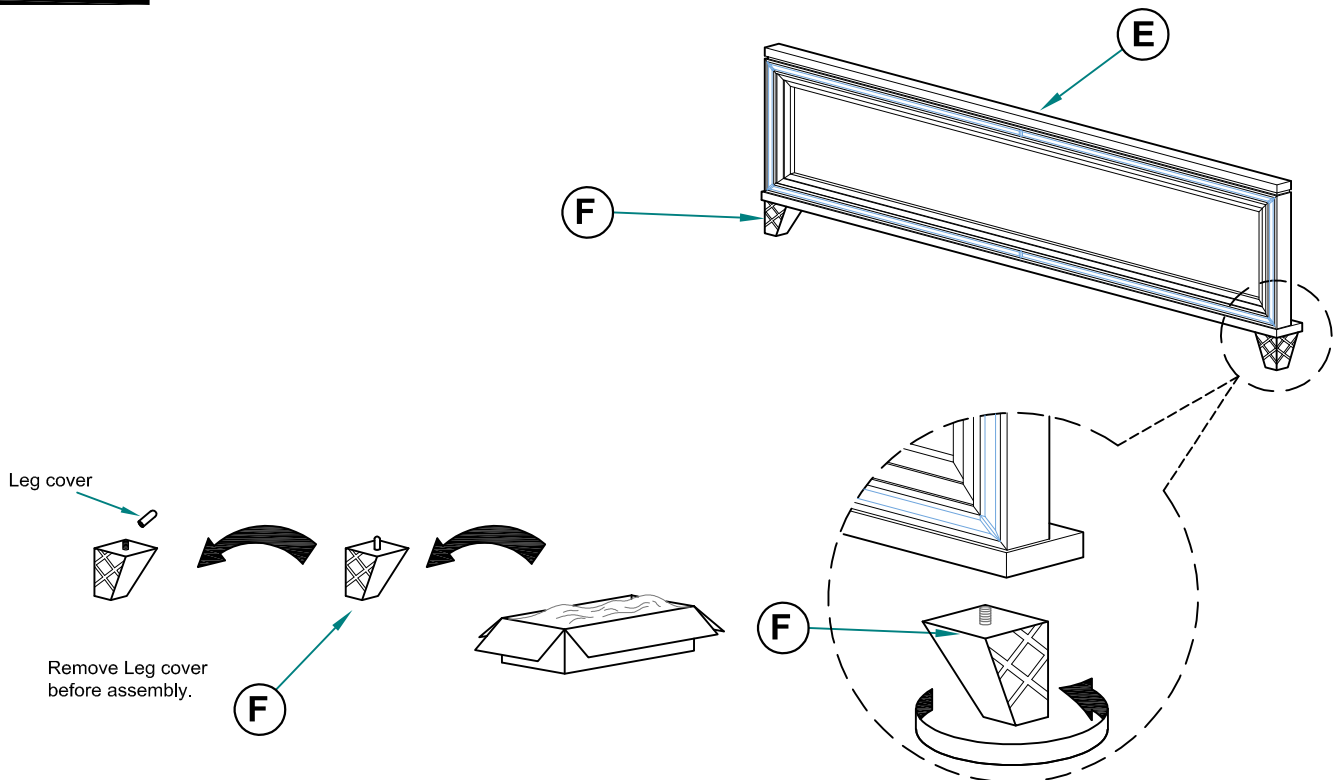


STEP 1



BACK VIEW

STEP 2

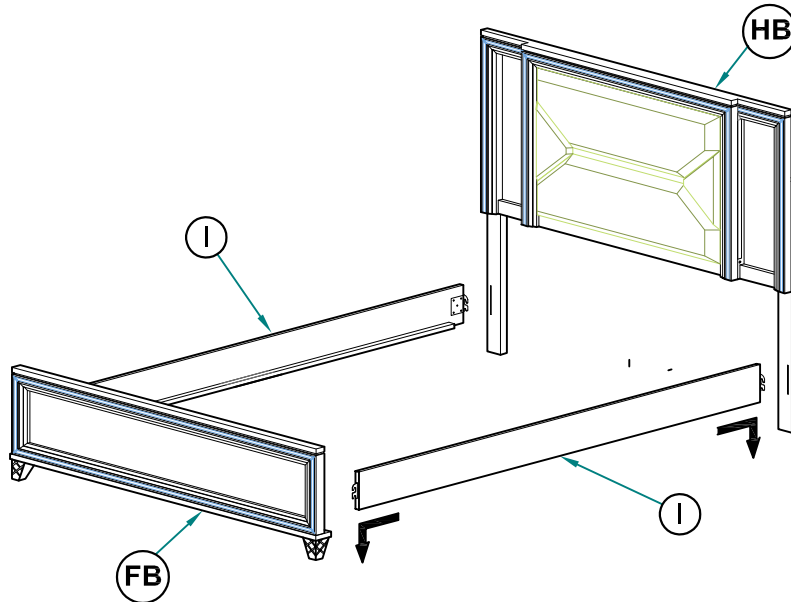


ITEM: **224961Q (B1-B3)**

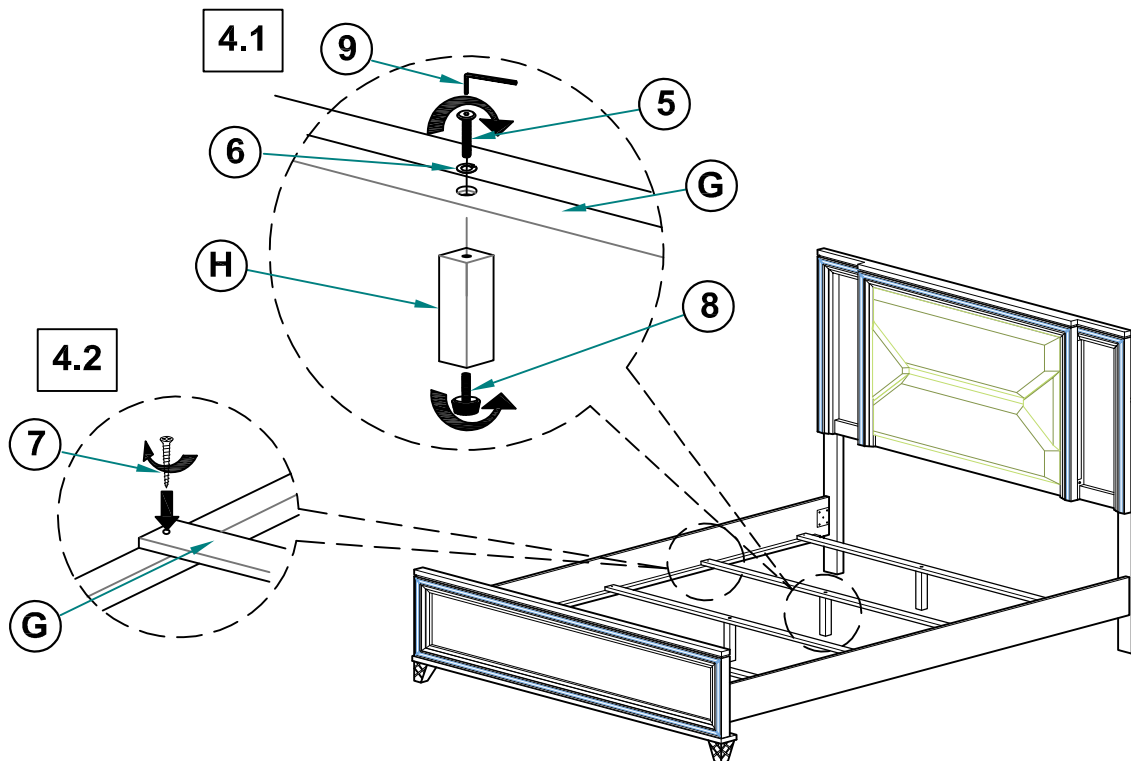
ASSEMBLY INSTRUCTIONS



STEP 3



STEP 4

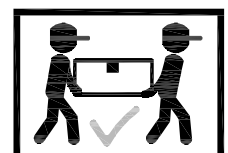
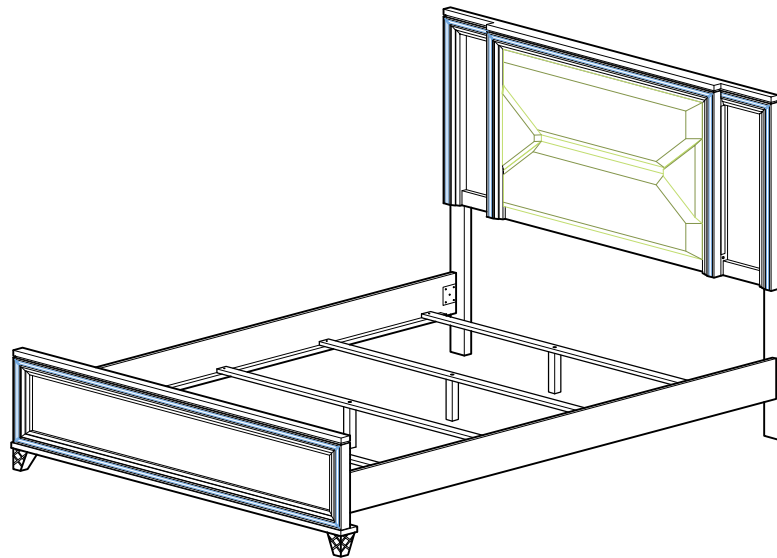


ITEM: **224961Q (B1-B3)**

ASSEMBLY INSTRUCTIONS



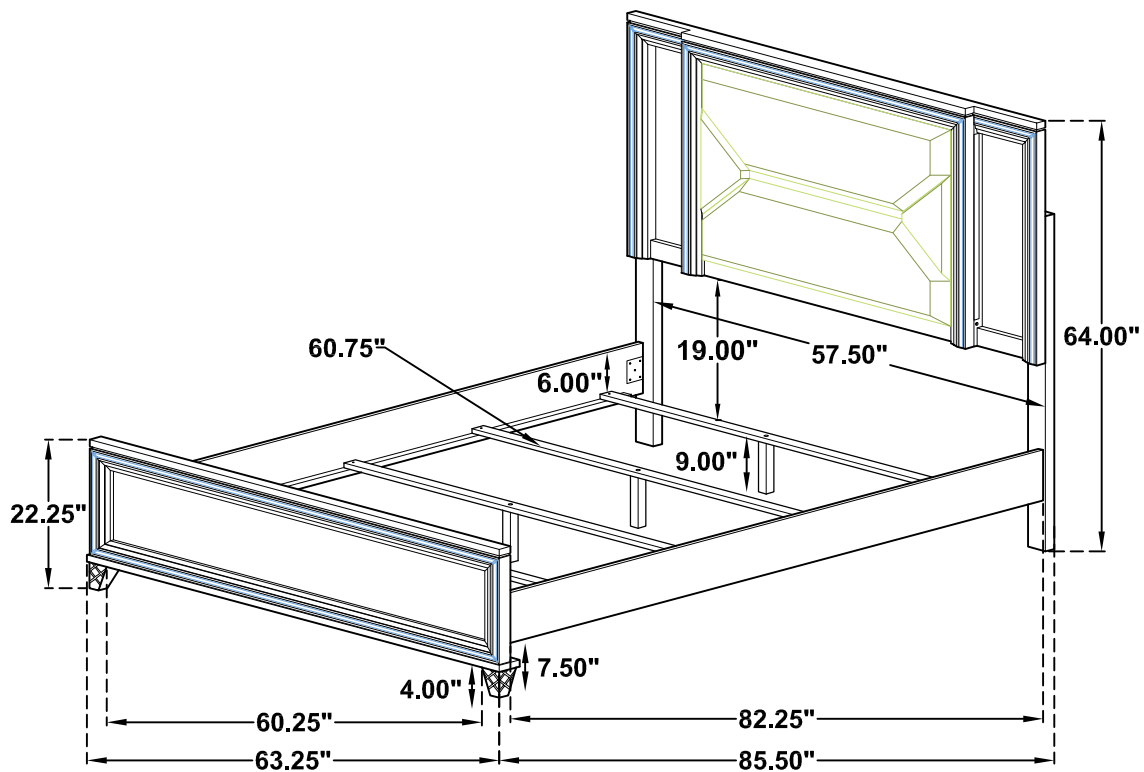
STEP 5
COMPLETE



ITEM: **224961Q (B1-B3)**

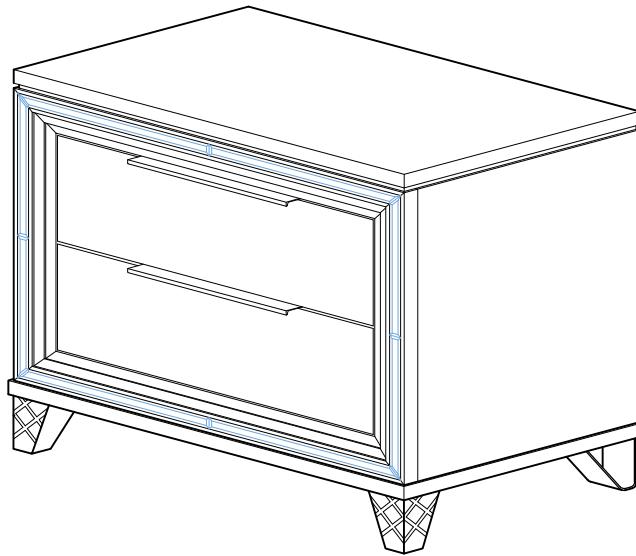


Inner Size : 60.75"W x 80.25"D



Note : Dimension tolerance $\pm 5\%$

ASSEMBLY INSTRUCTIONS
COASTER FINE FURNITURE



Fine Furniture for every stage of life

224962
Nightstand

ITEM: **224962**



ASSEMBLY INSTRUCTIONS

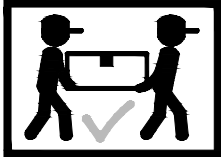
ASSEMBLY TIPS:

1. Remove hardware from box and sort by size.
2. Please check to see that all hardware and parts are present prior to start of assembly.
3. Please follow attached instructions in the same sequence as numbered to assure fast & easy assembly.



WARNING!

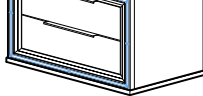
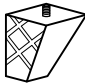

1. Don't attempt to repair or modify parts that are broken or defective. Please contact the store immediately.
2. This product is for home use only and not intended for commercial establishments.



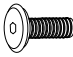



ASSEMBLY TIME

4 MINUTES

PARTS IDENTIFICATION

A	NIGHTSTAND		1PC
B	FRONT LEG		2PCS
C	BACK LEG		2PCS

HARDWARE IDENTIFICATION

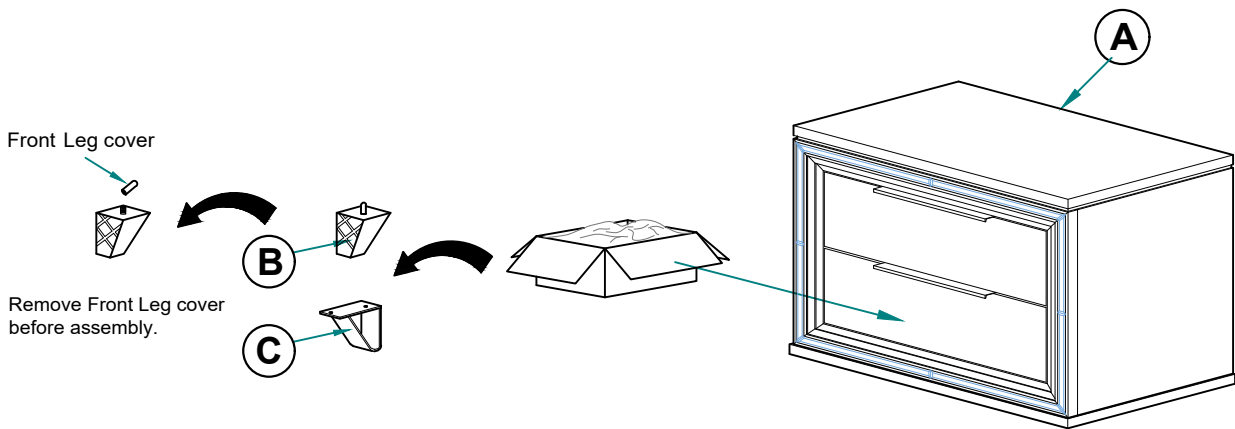
1	BOLT (M6 x 20mm - RBW)		4PCS
2	LOCK WASHER (M6 x 12mm - RBW)		4PCS
3	FLAT WASHER (M6 x 13mm - RBW)		4PCS
4	ALLEN WRENCH (M4 x 60mm - BLK)		1PC

ITEM: **224962**

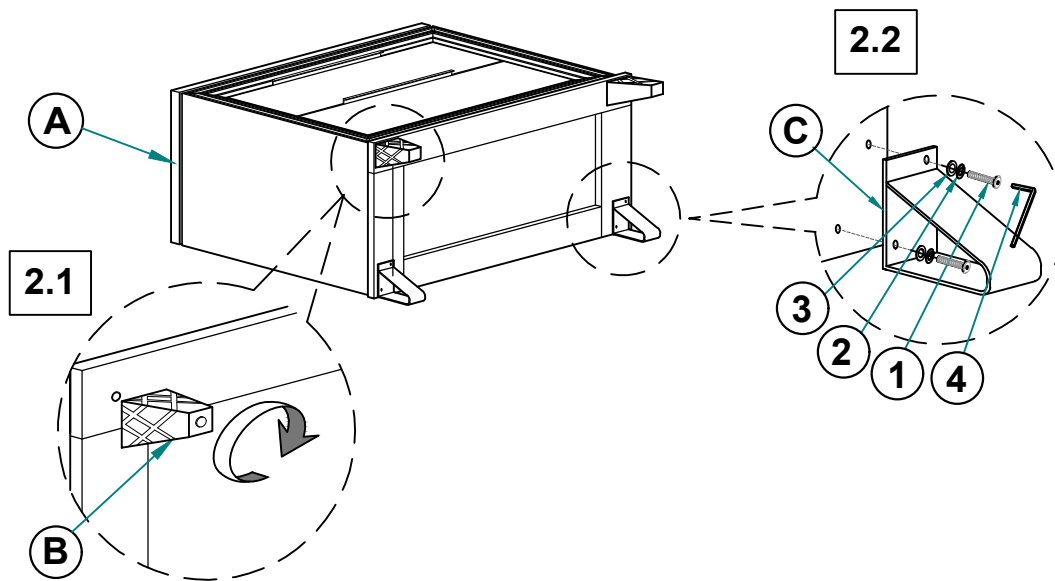
ASSEMBLY INSTRUCTIONS



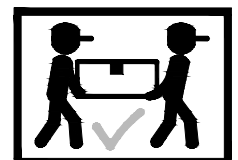
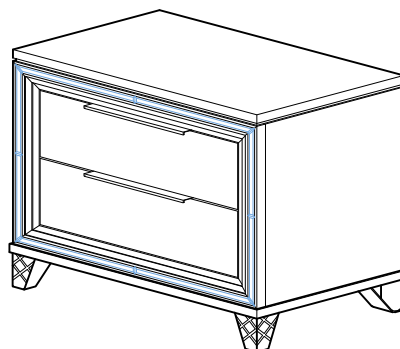
STEP 1



STEP 2



STEP 3 COMPLETE



ITEM: **224962**



ANTI-TIPPING INSTALLATION INSTRUCTIONS

FURNITURE TIPPING RESTRAINT

WARNING

Injury may result from tipping furniture.
This restraint may protect against tipping furniture.
Do not allow children to climb on furniture.
This restraint is not a substitute for proper adult supervision.
Failure to detach this restraint before moving the furniture may result in injury and damage.

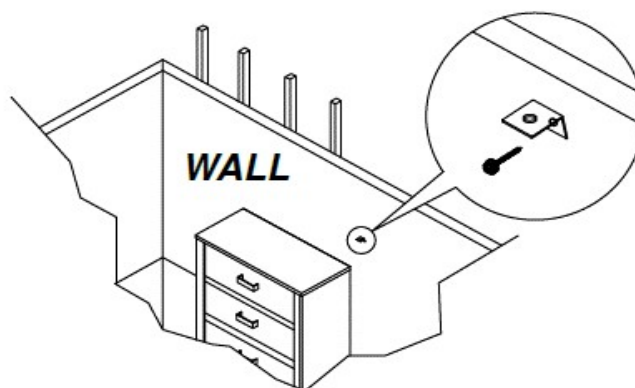
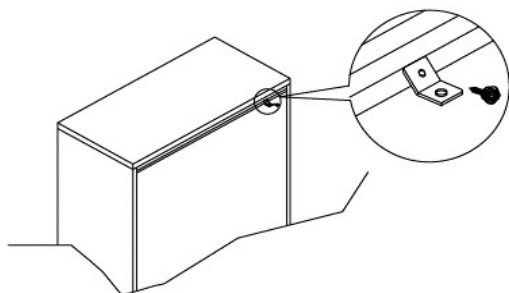
This restraint must be screwed to a wood stud on the wall, using the long screw provided.

STEP 2

Locate the wood stud on the wall and secure the other bracket 2 inches below the back of the unit, using the long screw.

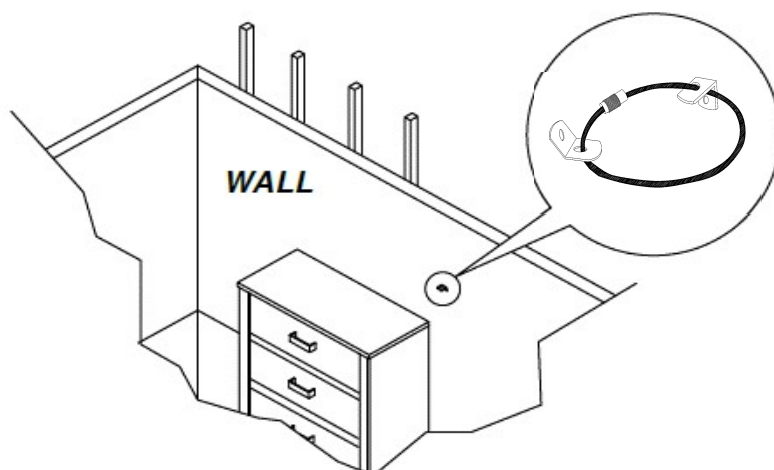
STEP 1

Secure the bracket to the back top of the unit, using the short screw provided, as shown in the drawing.



STEP 3

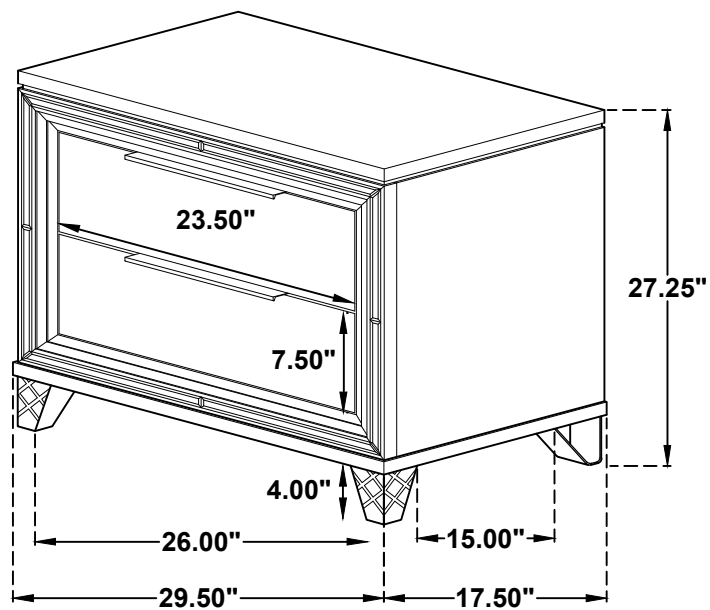
Place the furniture into position so both mounting brackets are vertically in line. Lace the threaded end of the restraint strap through the hole in each mounting bracket. Bring both ends together and rotate the thumb nut onto the threaded end until tight. Ensure that the restraint strap is securely laced and locked.



ITEM: **224962**

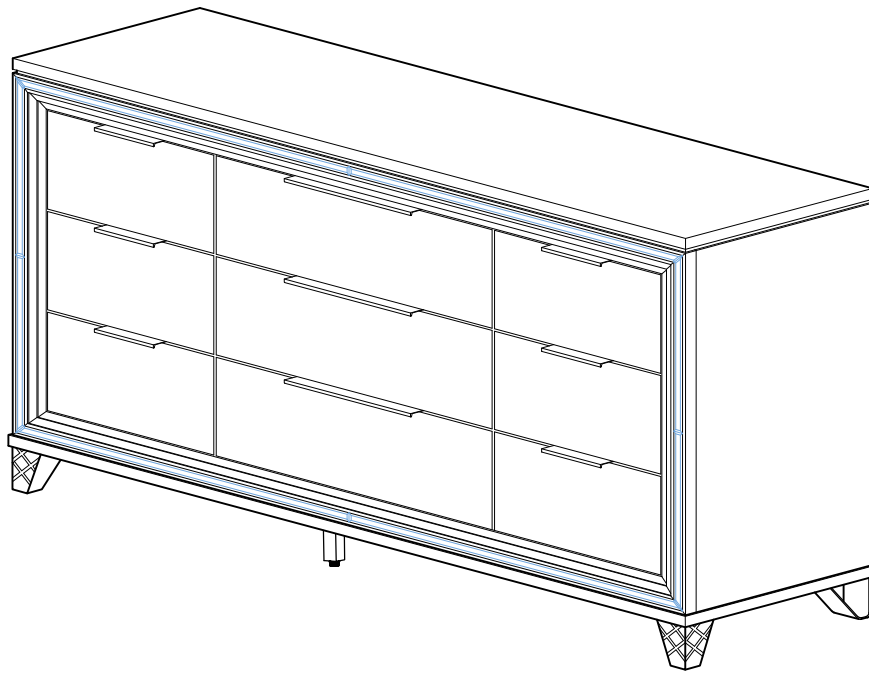


Inner Size of Drawer : 22.00"W x 13.00"D x 4.50"H x 0.50"T



Note : Dimension tolerance $\pm 5\%$

ASSEMBLY INSTRUCTIONS
COASTER FINE FURNITURE



Fine Furniture for every stage of life

224963
Dresser

ITEM:224963



ASSEMBLY INSTRUCTIONS

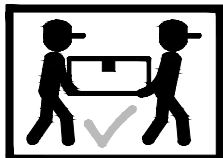
ASSEMBLY TIPS:

1. Remove hardware from box and sort by size.
2. Please check to see that all hardware and parts are present prior to start of assembly.
3. Please follow attached instructions in the same sequence as numbered to assure fast & easy assembly.



WARNING!

1. Don't attempt to repair or modify parts that are broken or defective. Please contact the store immediately.
2. This product is for home use only and not intended for commercial establishments.

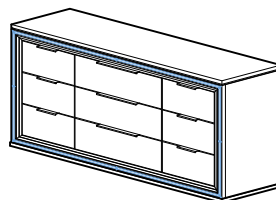


ASSEMBLY TIME

4 MINUTES

PARTS IDENTIFICATION

A DRESSER



1PC

B FRONT LEG



2PCS

C BACK LEG



2PCS

D CENTER SUPPORT LEG WITH LEVELER



1PC

HARDWARE IDENTIFICATION

1 BOLT
(M6 x 20mm - RBW)



4PCS

2 LOCK WASHER
(M6 x 12mm - RBW)



4PCS

3 FLAT WASHER
(M6 x 13mm - RBW)



4PCS

4 ALLEN WRENCH
(M4 x 60mm - BLK)



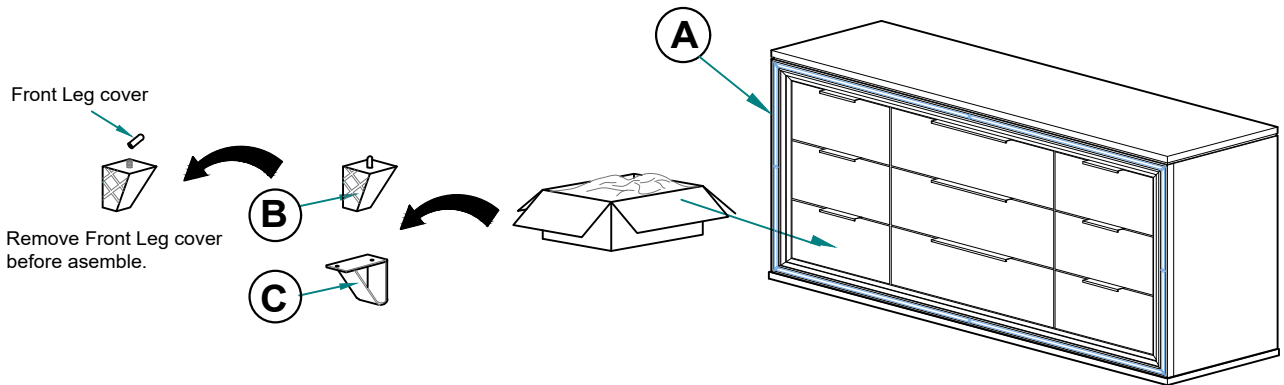
1PC

ITEM: **224963**

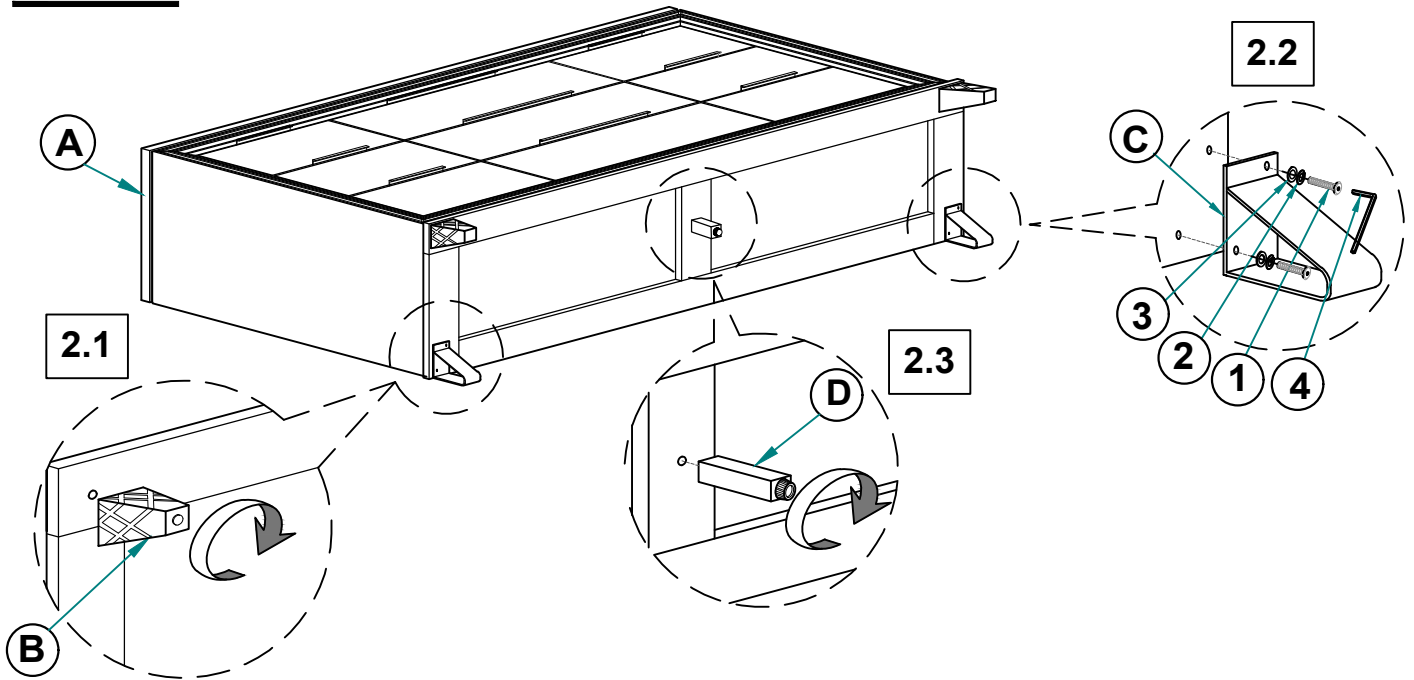
ASSEMBLY INSTRUCTIONS



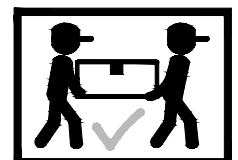
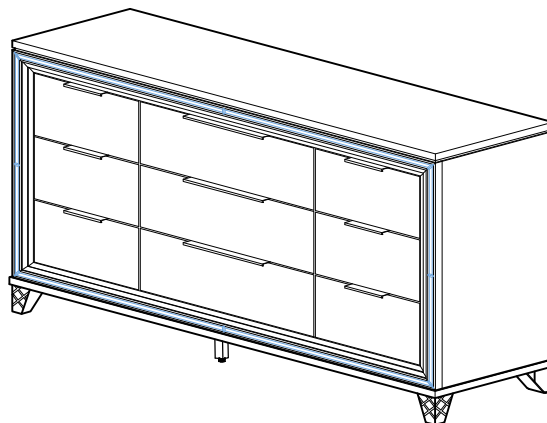
STEP 1



STEP 2



STEP 3
COMPLETE



ITEM: **224963**



ANTI-TIPPING INSTALLATION INSTRUCTIONS

FURNITURE TIPPING RESTRAINT

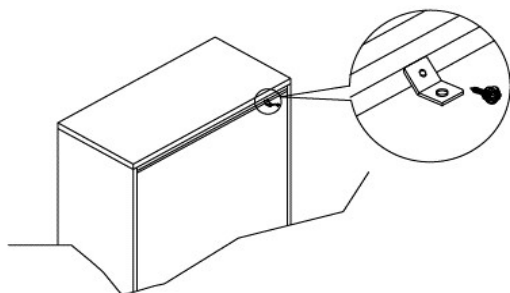
WARNING

Injury may result from tipping furniture.
This restraint may protect against tipping furniture.
Do not allow children to climb on furniture.
This restraint is not a substitute for proper adult supervision.
Failure to detach this restraint before moving the furniture may result in injury and damage.

This restraint must be screwed to a wood stud on the wall, using the long screw provided.

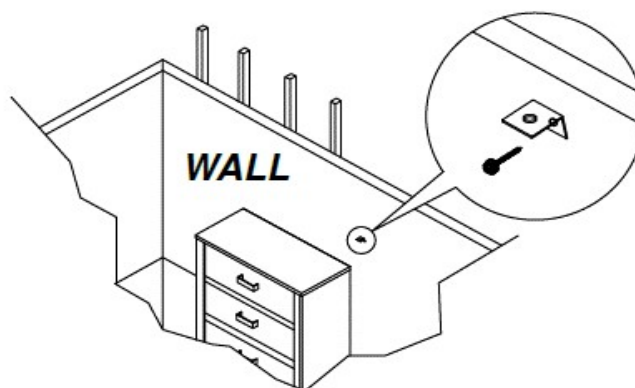
STEP 1

Secure the bracket to the back top of the unit, using the short screw provided, as shown in the drawing.



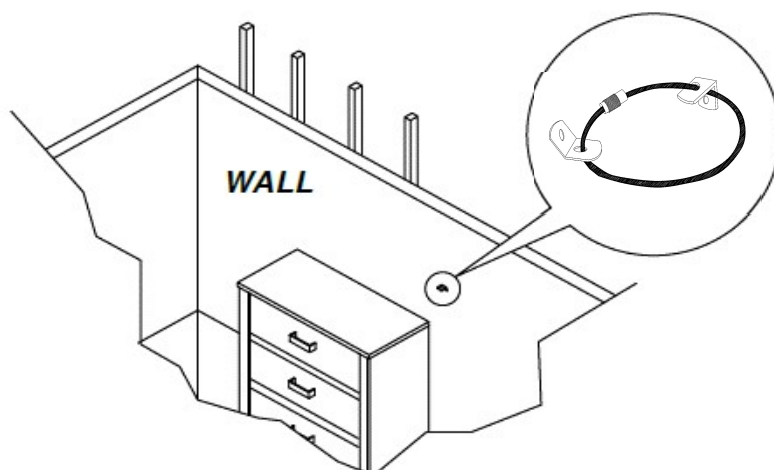
STEP 2

Locate the wood stud on the wall and secure the other bracket 2 inches below the back of the unit, using the long screw.



STEP 3

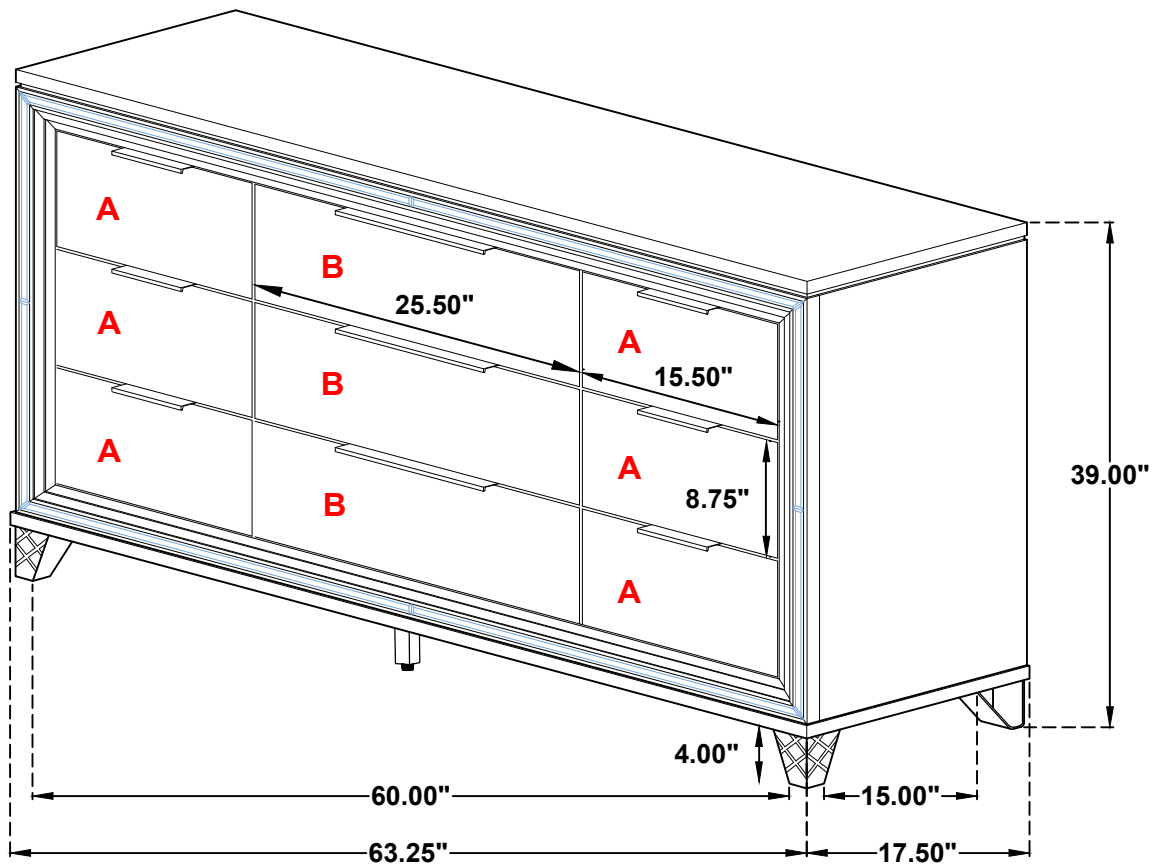
Place the furniture into position so both mounting brackets are vertically in line. Lace the threaded end of the restraint strap through the hole in each mounting bracket. Bring both ends together and rotate the thumb nut onto the threaded end until tight. Ensure that the restraint strap is securely laced and locked.



ITEM:224963

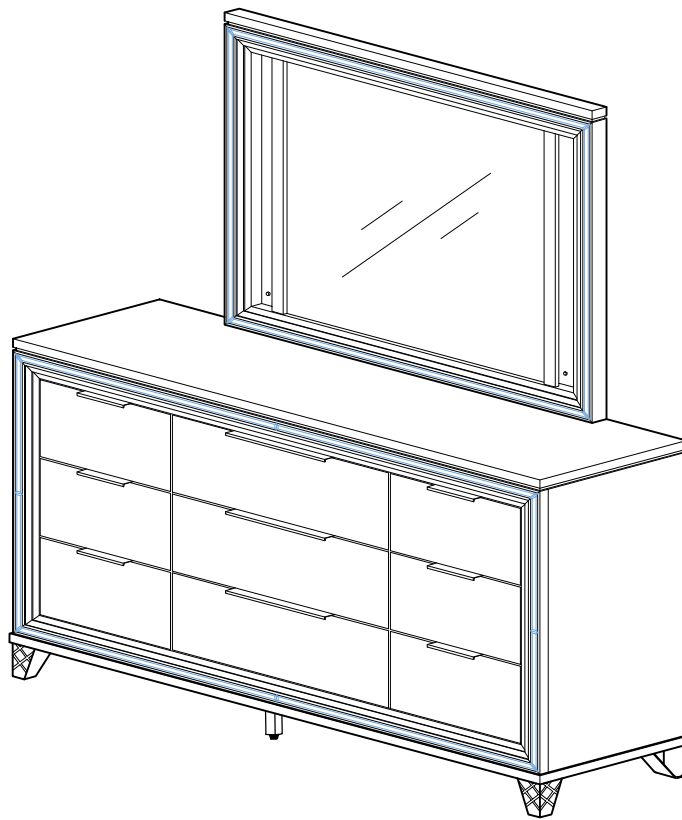


Inner Size of Drawer A : 13.50"W x 13.00"D x 5.00"H x 0.50"T
Inner Size of Drawer B : 23.25"W x 13.00"D x 5.00"H x 0.50"T



Note : Dimension tolerance $\pm 5\%$

ASSEMBLY INSTRUCTIONS
COASTER FINE FURNITURE



Fine Furniture for every stage of life

224964
Mirror

ITEM: **224964**



ASSEMBLY INSTRUCTIONS

ASSEMBLY TIPS:

1. Remove hardware from box and sort by size.
2. Please check to see that all hardware and parts are present prior to start of assembly.
3. Please follow attached instructions in the same sequence as numbered to assure fast & easy assembly.



WARNING!

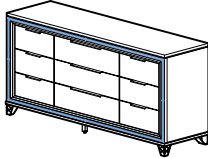
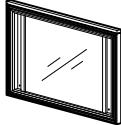


1. Don't attempt to repair or modify parts that are broken or defective. Please contact the store immediately.
2. This product is for home use only and not intended for commercial establishments.







ASSEMBLY TIME

8 MINUTES

PARTS IDENTIFICATION

A	DRESSER * FROM BOX ITEM # 224963		1PC
B	MIRROR		1PC
C	MIRROR SUPPORT (PACKED WITH MIRROR)		2PCS
D	ADAPTER		1PC

HARDWARE IDENTIFICATION

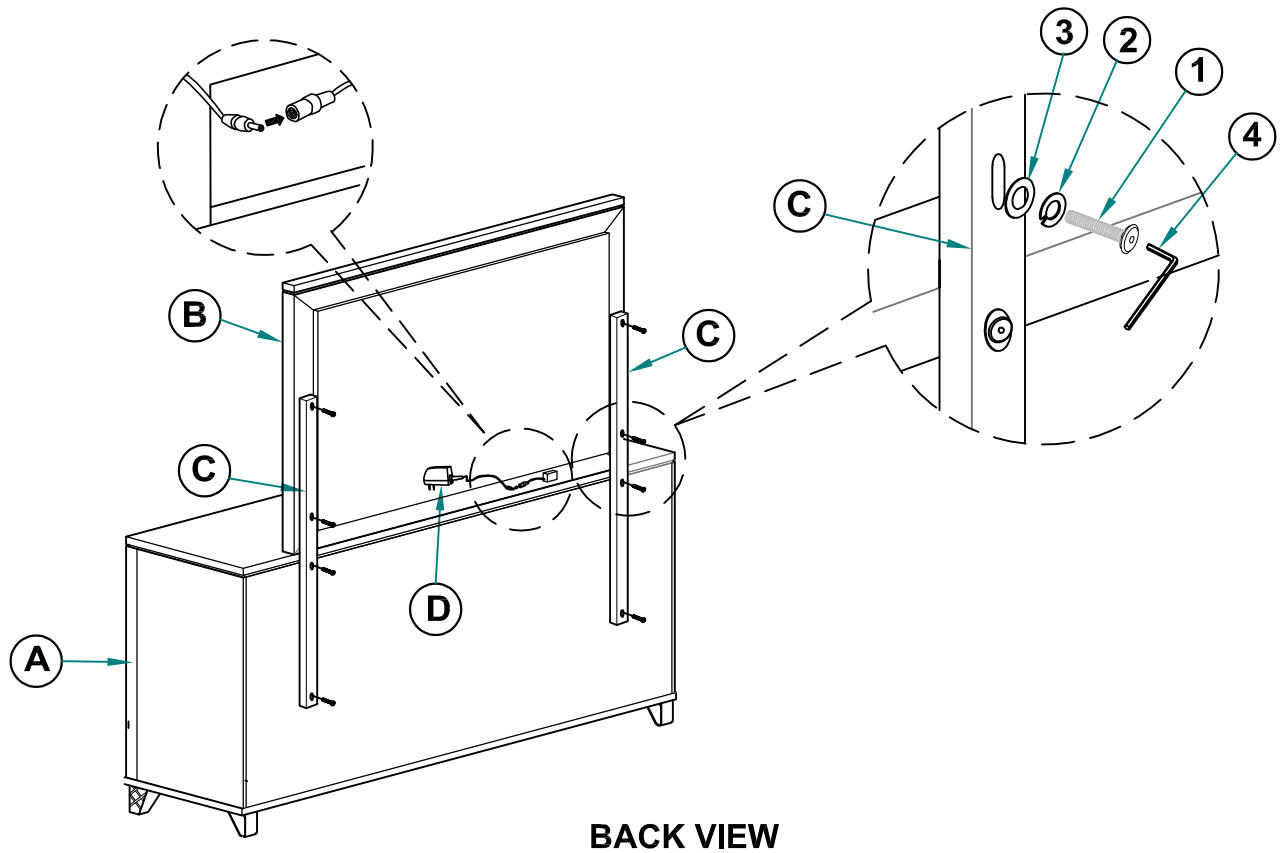
1	BOLT (M6 x 35mm - RBW)		8PCS
2	LOCK WASHER (M6 x 12mm - RBW)		8PCS
3	FLAT WASHER (1/4" x 19mm - RBW)		8PCS
4	ALLEN WRENCH (M4 x 60mm - BLK)		1PC

ITEM: **224964**

ASSEMBLY INSTRUCTIONS

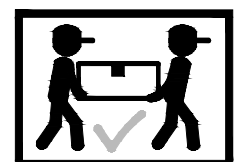
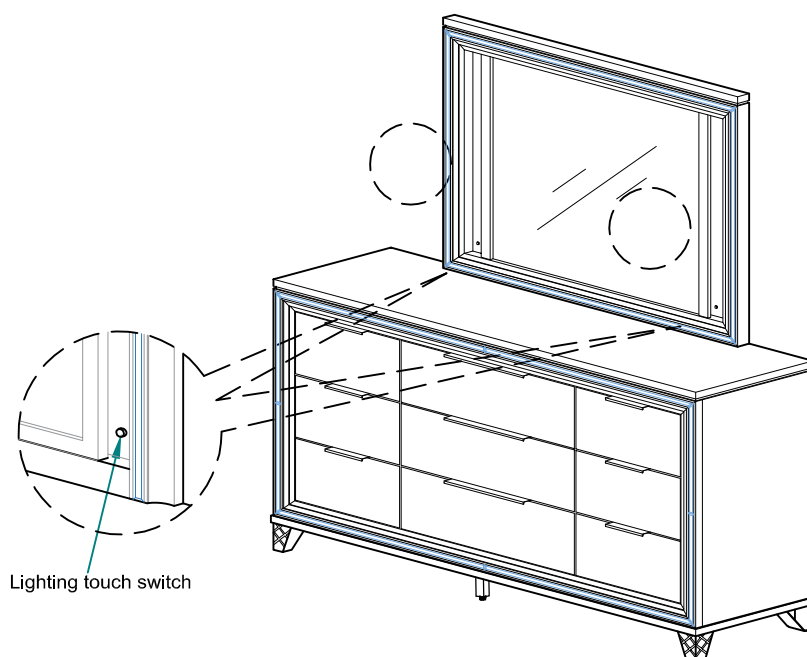


STEP 1

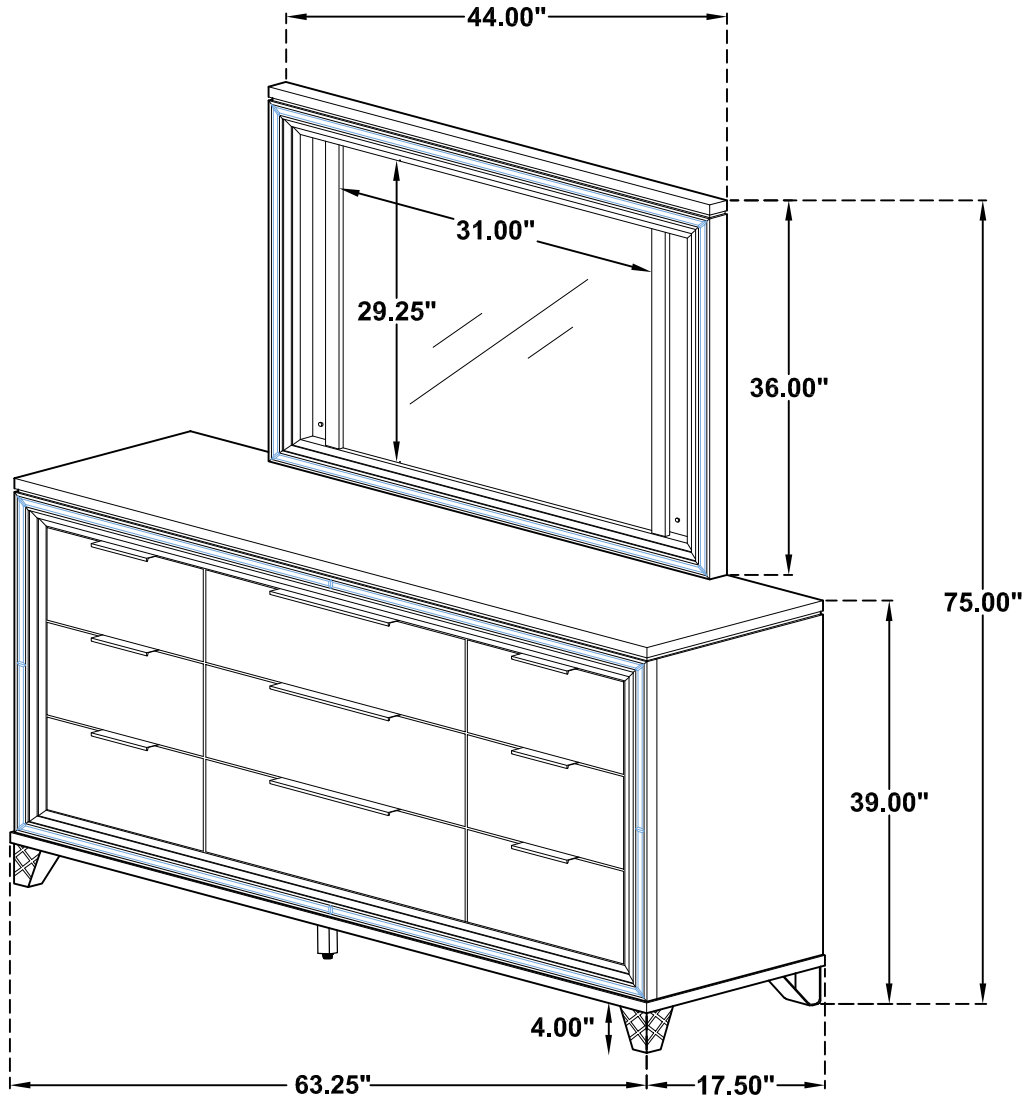


BACK VIEW

STEP 2
COMPLETE



ITEM: 224964



Note : Dimension tolerance $\pm 5\%$