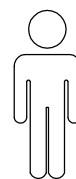
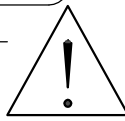
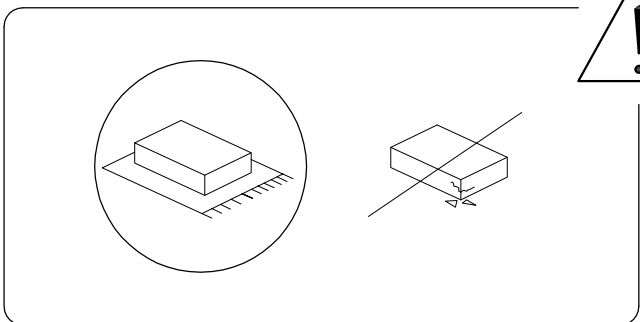

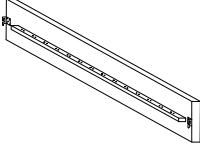

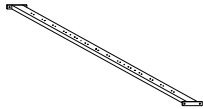

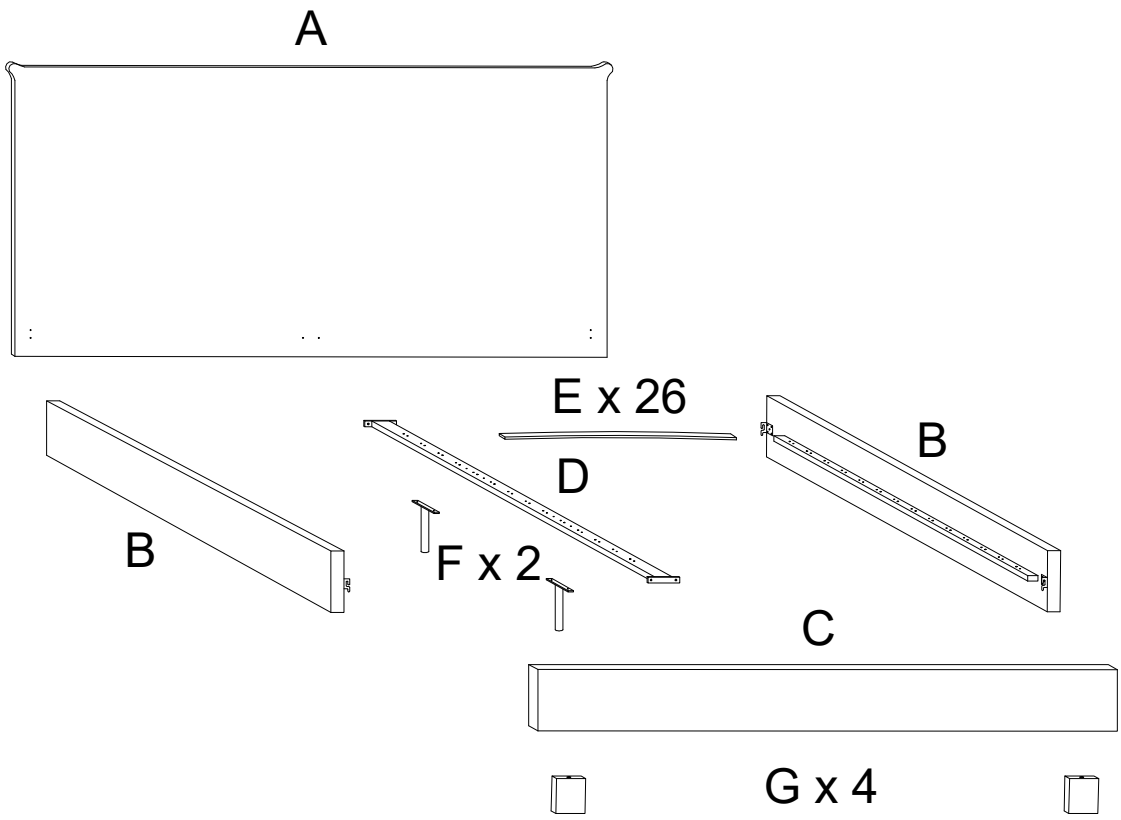


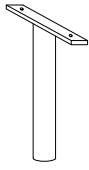
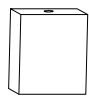
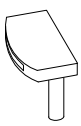
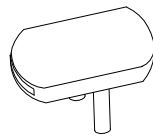
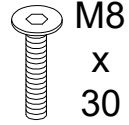
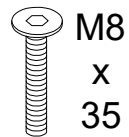
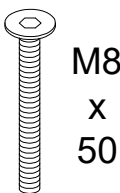
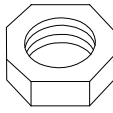
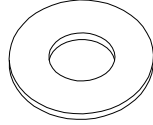
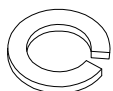
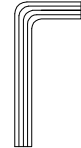
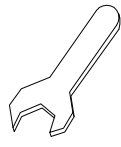
30'



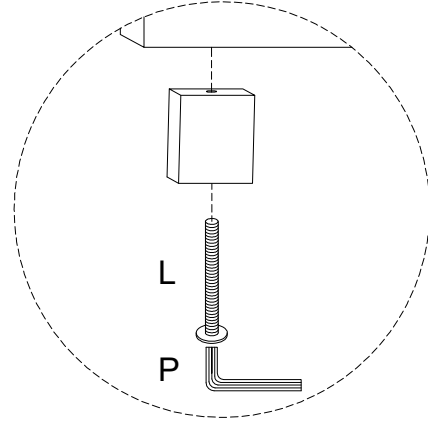
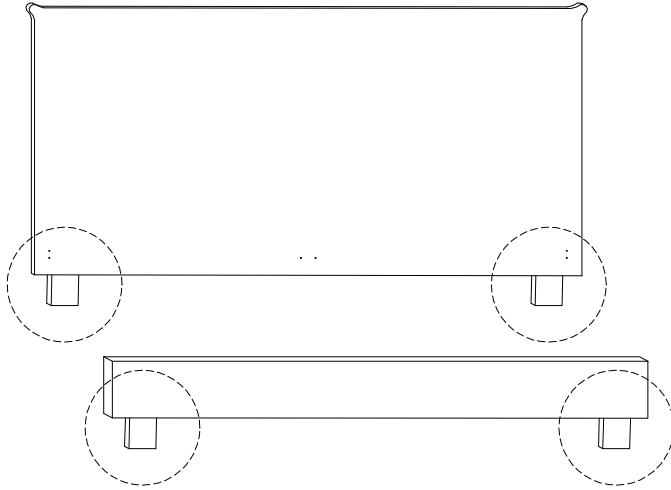
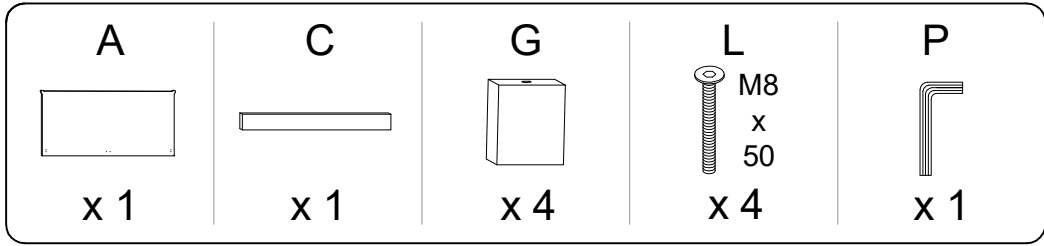
2

A	B	C	D	E
				
x 1	x 2	x 1	x 1	x 26

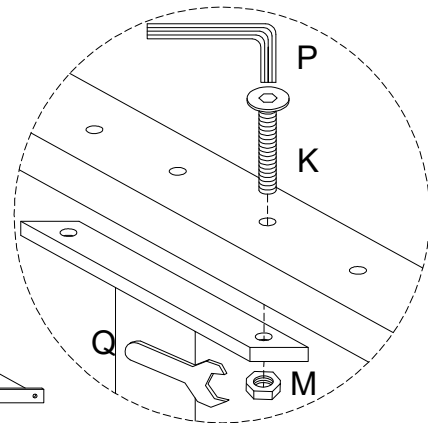
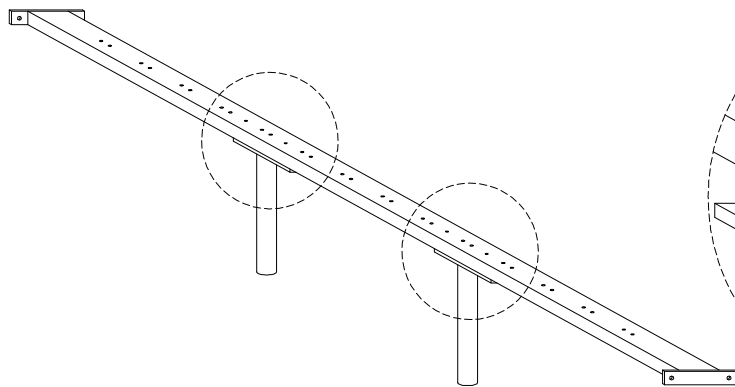
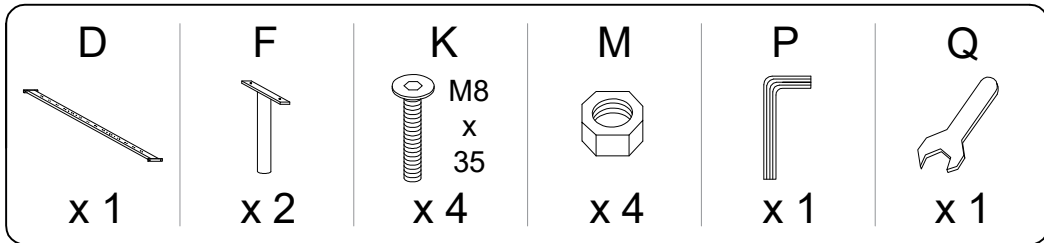


F	G	H	I	J	K
					
x 2	x 4	x 26	x 13	x 12	x 4
L	M	N	O	P	Q
					
x 4	x 4	x 8	x 8	x 1	x 1

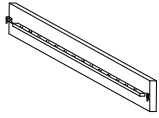
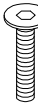
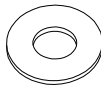
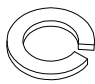

1

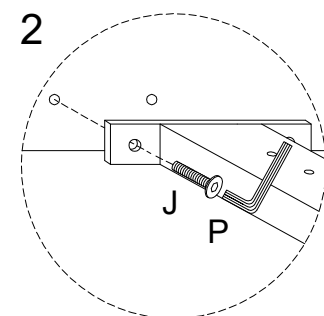
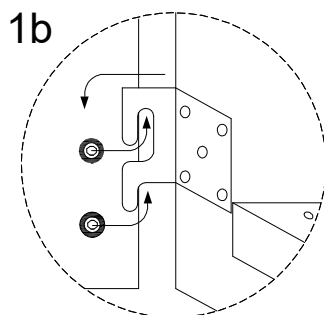
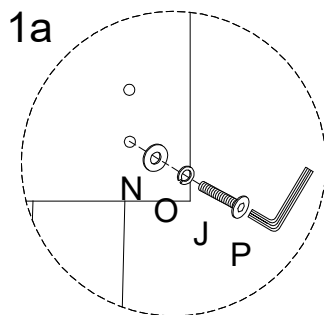
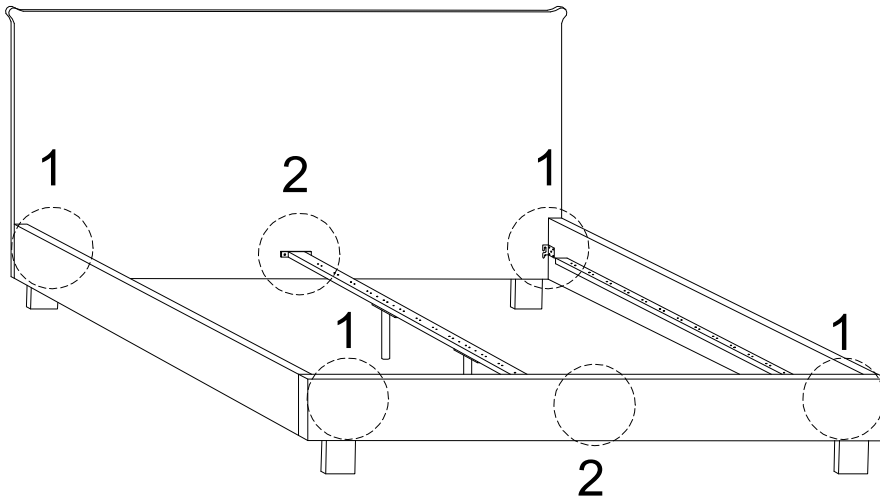


2

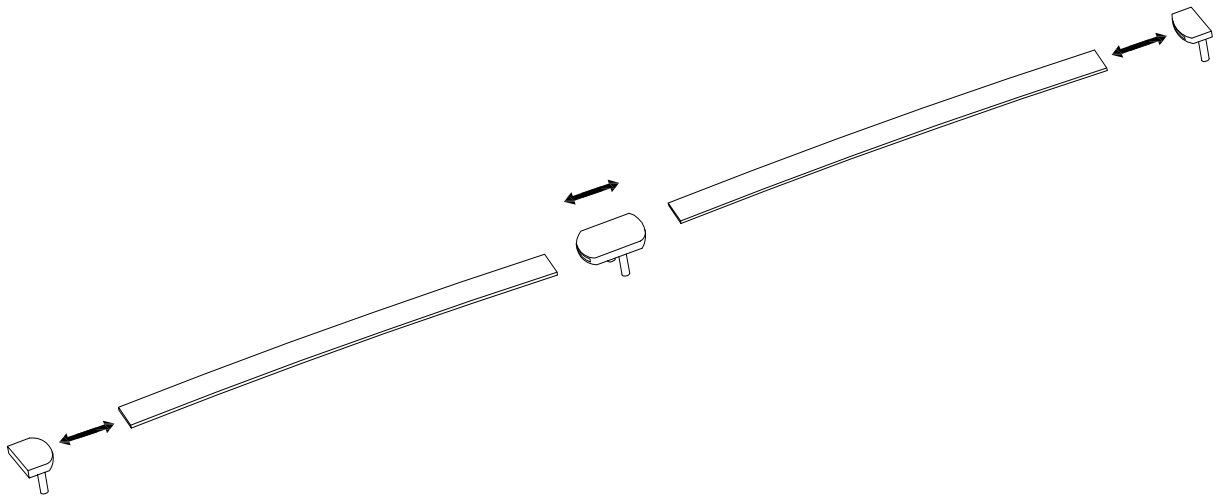
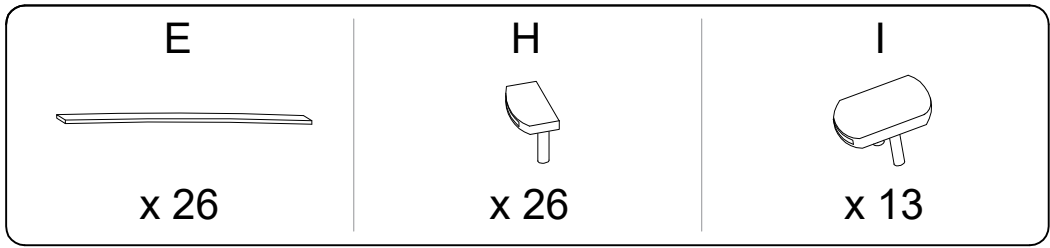


3

<p>B</p>  <p>x 2</p>	<p>J</p>  <p>M8 x 30 x 12</p>	<p>N</p>  <p>x 8</p>	<p>O</p>  <p>x 8</p>	<p>P</p>  <p>x 1</p>
---	--	---	---	---



4



5

