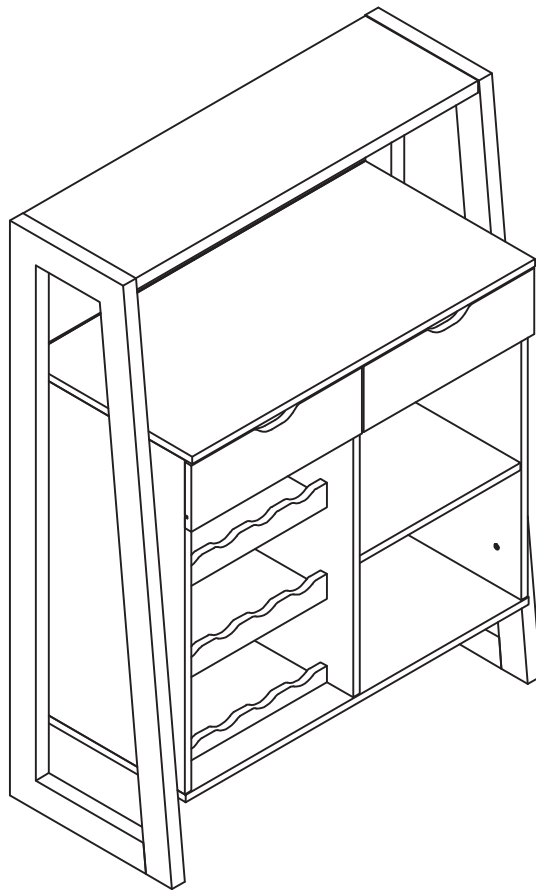


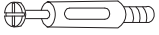




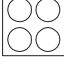





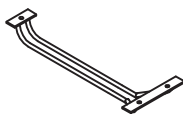



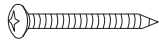


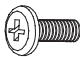
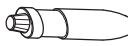
Wine Bar



ASSEMBLY INSTRUCTIONS

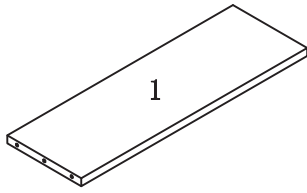
We have designed our furniture with you , the customer in mind . Our clear , easy to follow , step by step instructions will guide you through the project from start to finish .
Feel confident that this will be a fun and rewarding project . The final product will be a quality piece of furniture that will go together smoothly and give years of enjoyment .

Hardware List

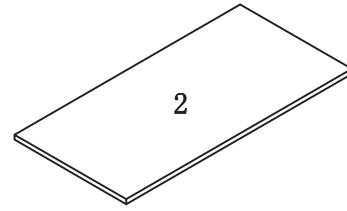
A  L29	B  Ø15	C  Ø8x25	D  Ø4x35
Cambolt(26pcs)	Camlock(26pcs)	Dowel(18pcs)	Extra Large Screw (6pcs)
E  Ø4x30	F  Ø22	G  Ø16	H  Ø8x40
Large Screw (10pcs)	Sticker (4pcs)	Foot Pin (4pcs)	Long Dowel(9pcs)
I 	J  L20	K  Ø12	L  L250
Nail (30pcs)	Small Cambolt(8pcs)	Small Camlock(8pcs)	Glass Holder(3pcs)
M  Ø4x16	N  Ø8x40	O  12x12x1	P  Ø5x40
Extra Small Screw (9pcs)	Plastic Anchor (1pc)	Bracket (2pcs)	Wall Screw (1pc)
Q  Ø4x25	R  197x5x1	S  M6x25	T  Glue(1pc)
Small Screw (1pc)	ANTI-TIP Strap (1pc)	Flathead Screw (8pcs)	Glue: For securing please apply to wood dowel first before inserting into panel

Please count and verify all parts before assembly.

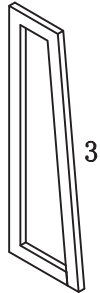
Panel List



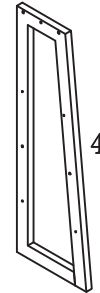
Small Top Panel (1pc)



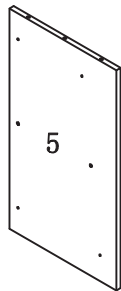
Large Top Panel (1pc)



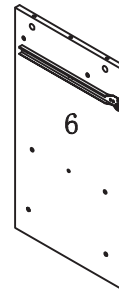
Left Side Frame (1pc)



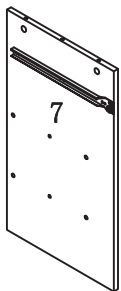
Right Side Frame (1pc)



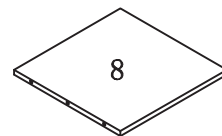
Left Side Panel (1pc)



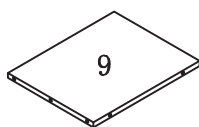
Right Side Panel (1pc)



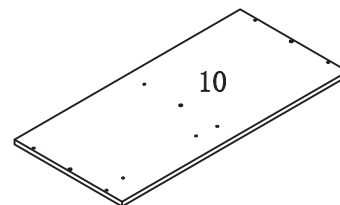
Divider Panel (1pc)



Right Shelf (1pc)



Left Shelf (2pcs)



Bottom Panel (1pc)

Please count and verify all parts before assembly.

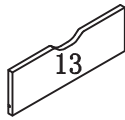
Panel List



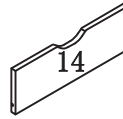
Top Bottle Holder (2pcs)



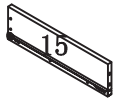
Lower Bottle Holder (1pc)



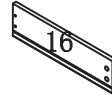
Left Drawer Front Panel (1pc)



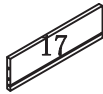
Right Drawer Front Panel (1pc)



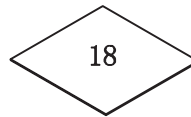
Left Drawer Side Panel (2pcs)



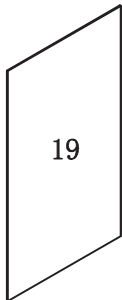
Right Drawer Side Panel (2pcs)



Drawer Back Panel (2pcs)



Drawer Bottom Panel (2pcs)



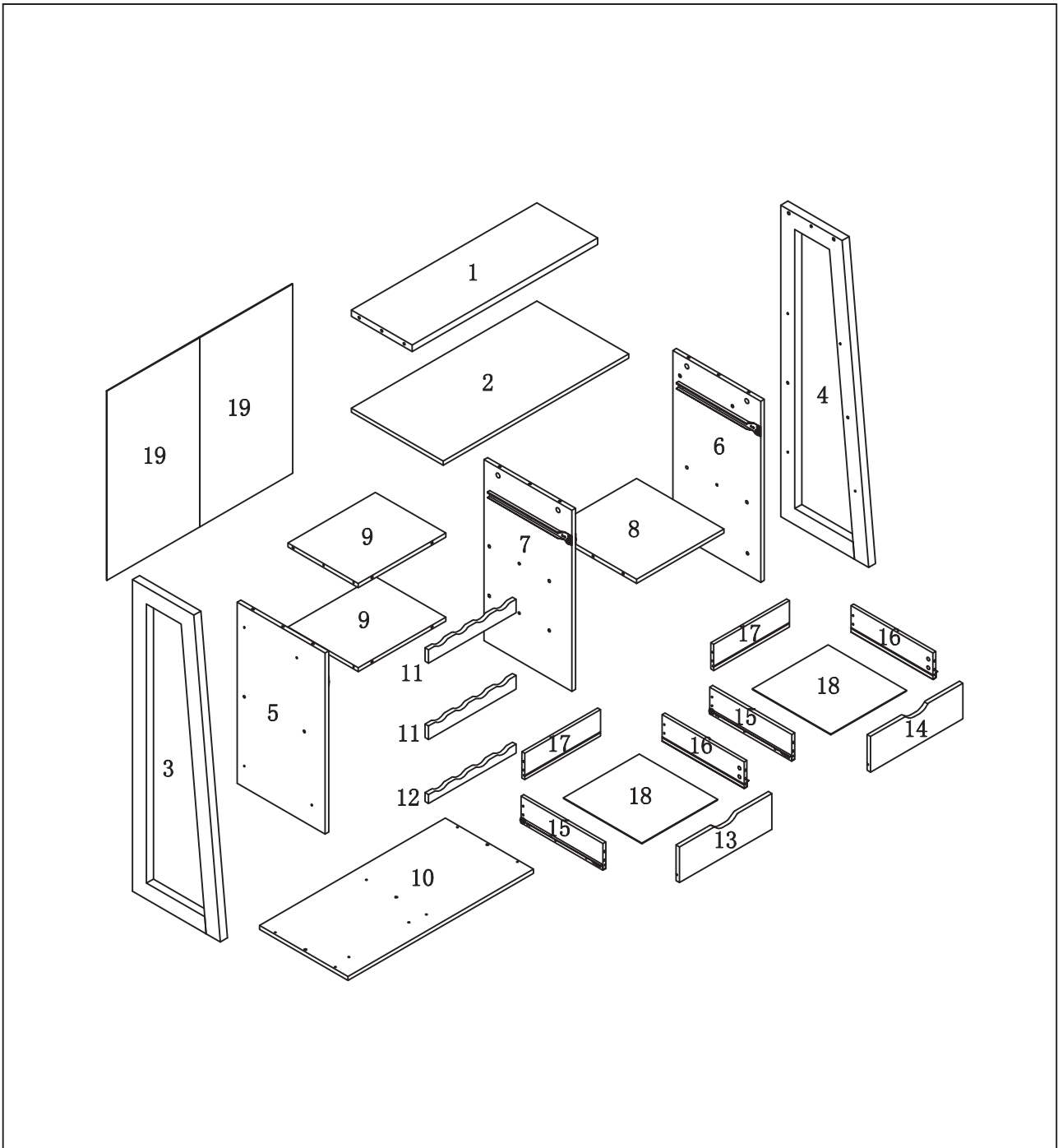
Back Panel (2pcs)

Please count and verify all parts before assembly.

Assembling the unit with camlocks and wood dowels.

<p>Insert camlock, camlock must face bolt hole</p>	<p>Gently screw cam bolt into the threaded anchor</p>	<p>lightly glue one end of wood dowel and tap into hole.</p>	<p>lightly glue dowel and connect to second panel by inserting dowels into holes</p>	<p>Gently screw the camlock clockwise into locked position. Do not overtighten.</p>

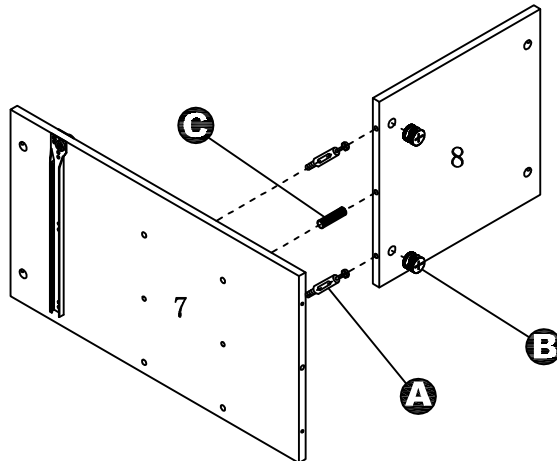
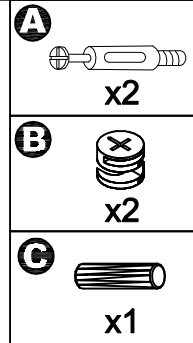
Exploded Views



Step 1

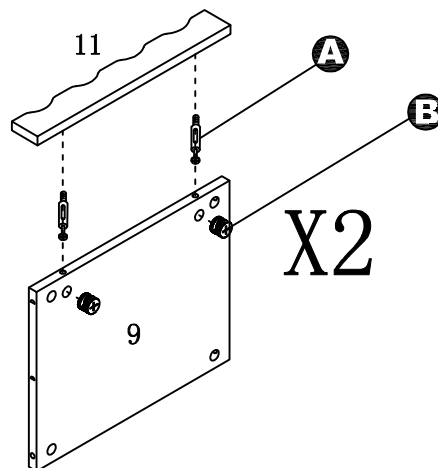
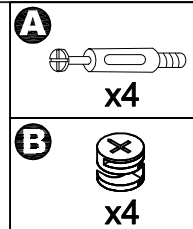
Note: * Place item on a smooth/soft surface such as a towel or carpet.

1. Screw large cambolts(A) into divider panel(7), insert dowels(C) into divider panel(7).
2. Attach divider panel(7) to right shelf(8) using large camlocks(B) and gently tighten.



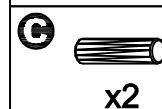
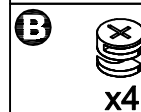
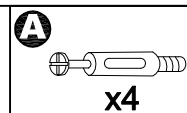
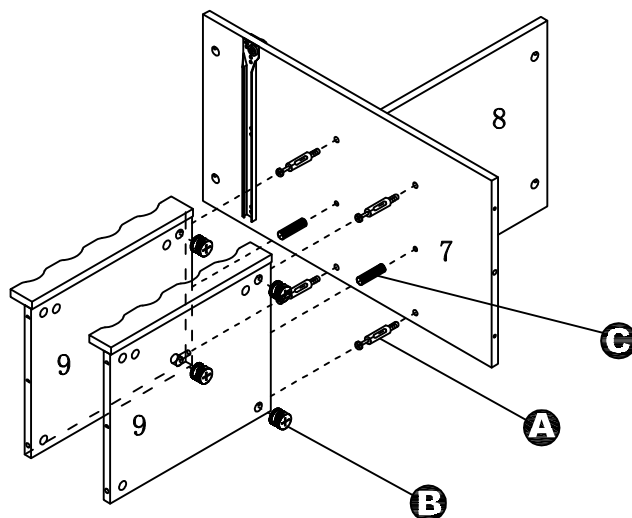
Step 2

1. Screw large cambolts(A) into top bottle holder(11)
2. Attach top bottle holder(11) to left shelf(9) using large camlocks(B) and gently tighten.
3. Repeat step 1 and 2.



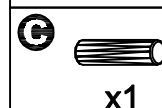
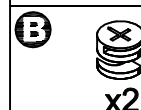
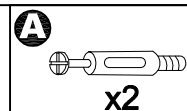
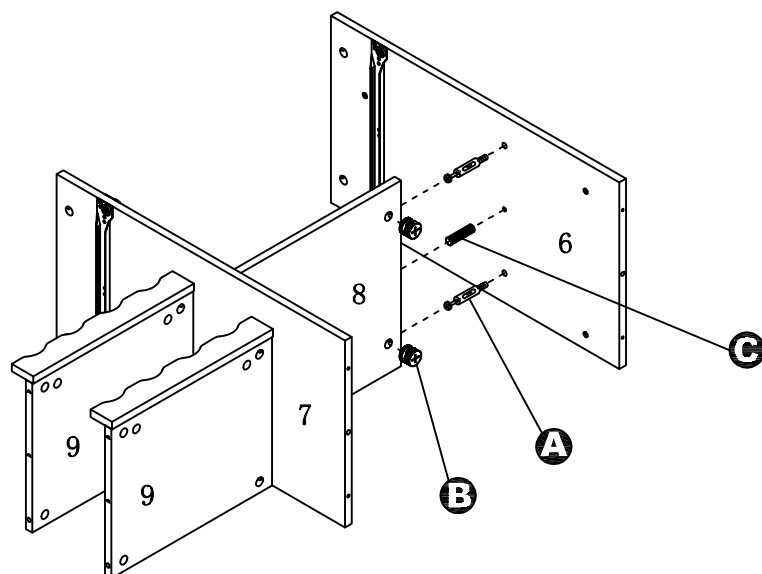
Step3

1. Screw large cambolts(A) into divider panel(7), insert dowels(C) into divider panel(7).
2. Attach divider panel(7) to left shelves(9) using large camlocks(B) and gently tighten.



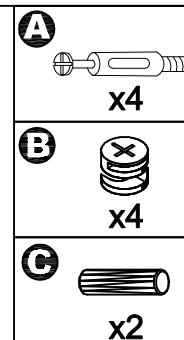
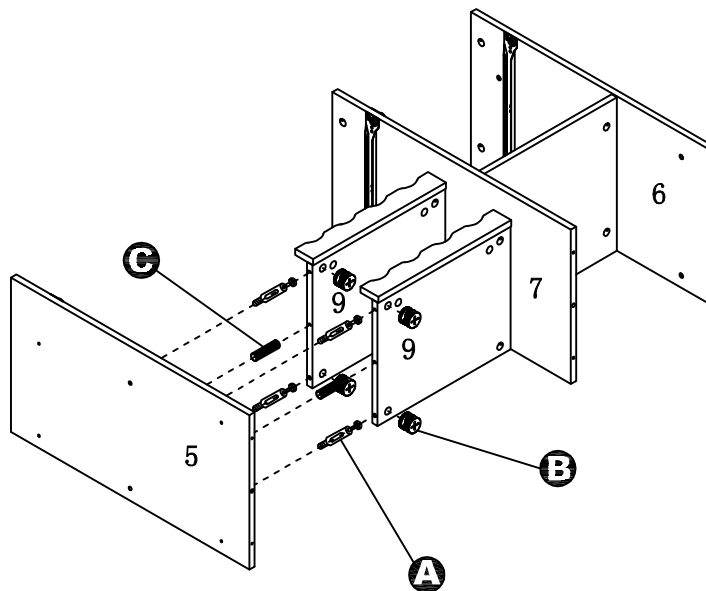
Step4

1. Screw large cambolts(A) into right side panel(6), insert dowel(C) into right side panel(6).
2. Attach right panel(6) to right shelf(8) using large camlocks(B) and gently tighten.



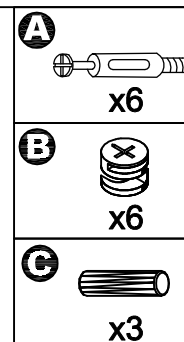
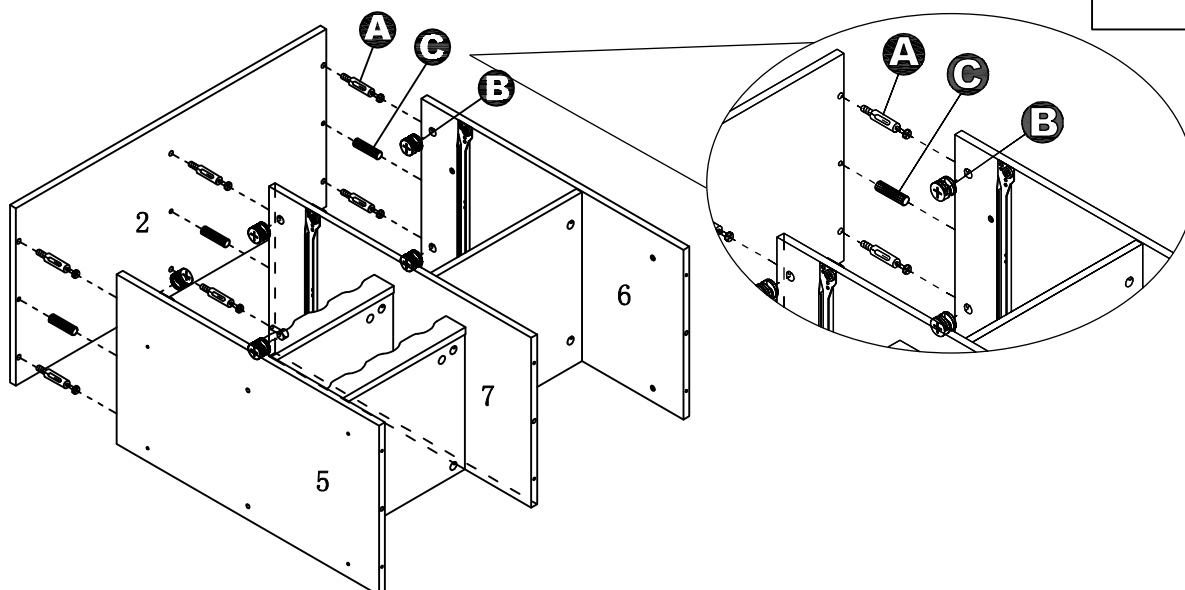
Step5

1. Screw large cambolts(A) into left side panel(5), insert dowels(C) into left side panel(5).
2. Attach left side panel(5) to left shelves(9) using large camlocks(B) and gently tighten.



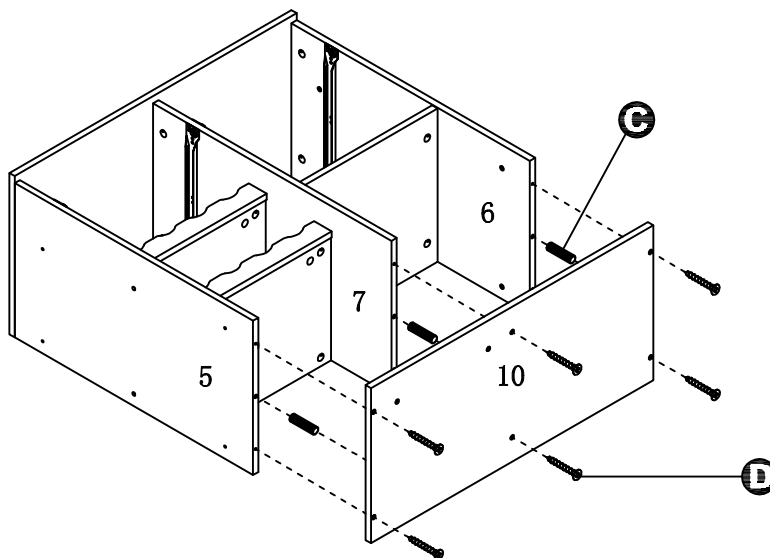
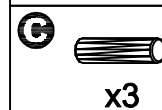
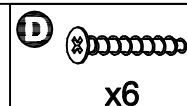
Step6

1. Screw large cambolts(A) into large top panel(2), insert dowels(C) into large top panel(2).
2. Attach large top panel(2) to left side panel(5), right side panel(6), divider panel(7) using large camlocks(B) and gently tighten.



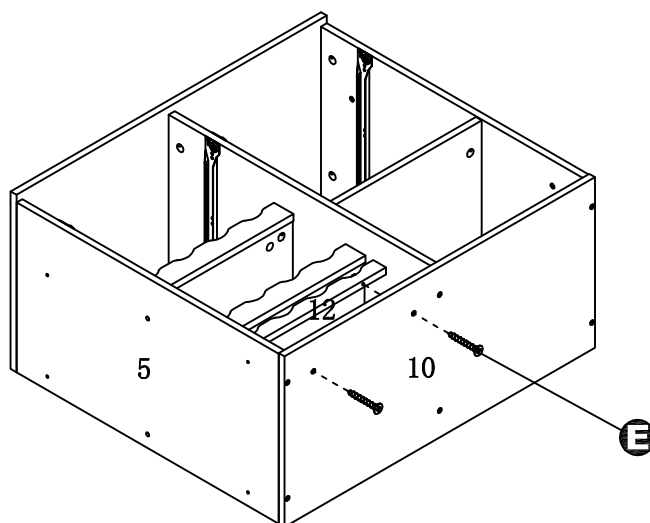
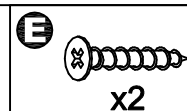
Step 7

1. Insert dowels(C) into bottom panel(10).
2. Attach bottom panel(10) to left side panel(5), divider panel(7),right side panel(6) using extra large screws(D) and gently tighten.



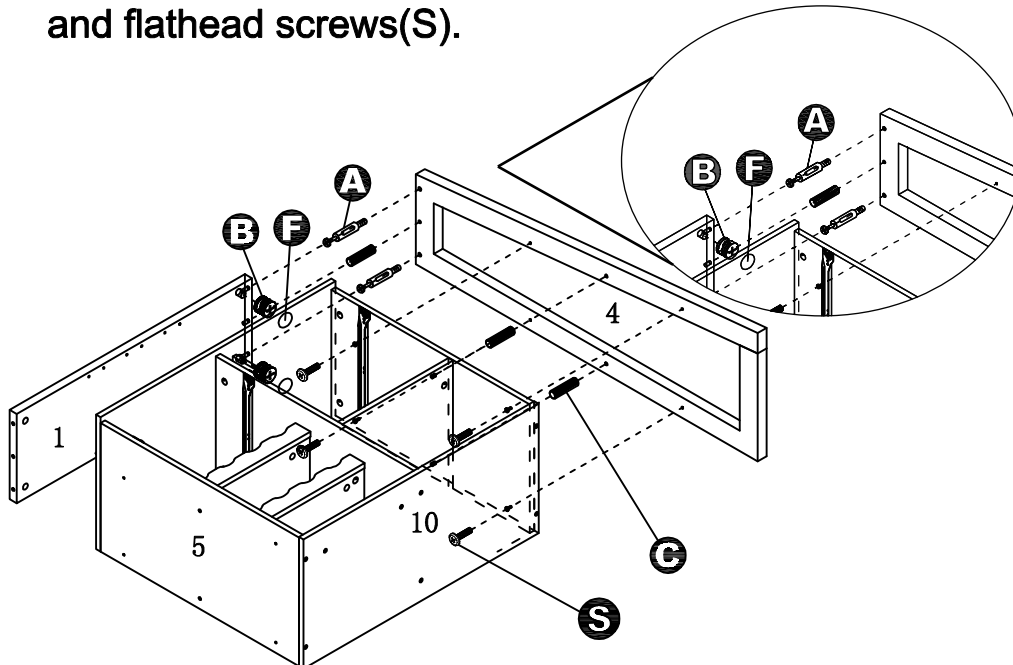
Step 8






1. Attach lower bottle holder(12) to bottom panel(10) using large screws(E).



Step9

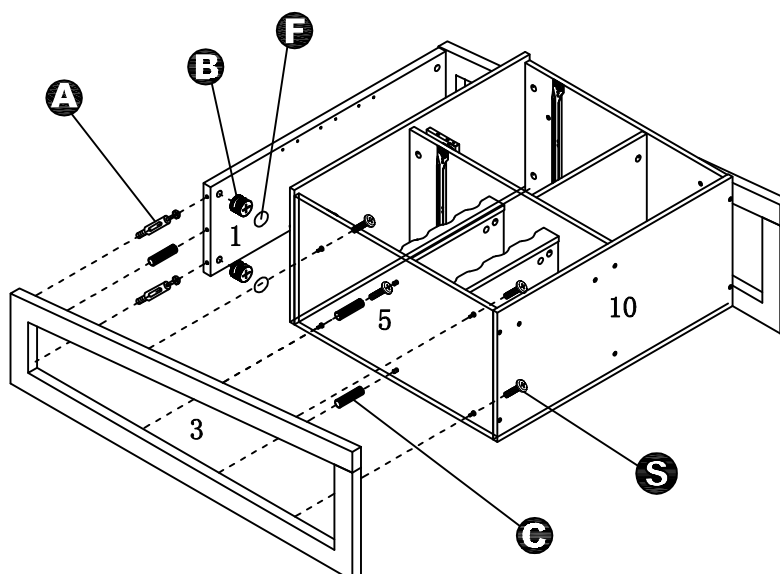
1. Screw large cambolts(A) into right side frame(4), insert dowels(C) into right side frame(4).
2. Attach right side frame(4) to small top(1) and right side panel(6) using large camlocks(B) and flathead screws(S).








A		x2
B		x2
C		x3
F		x2
S		x4

Step10

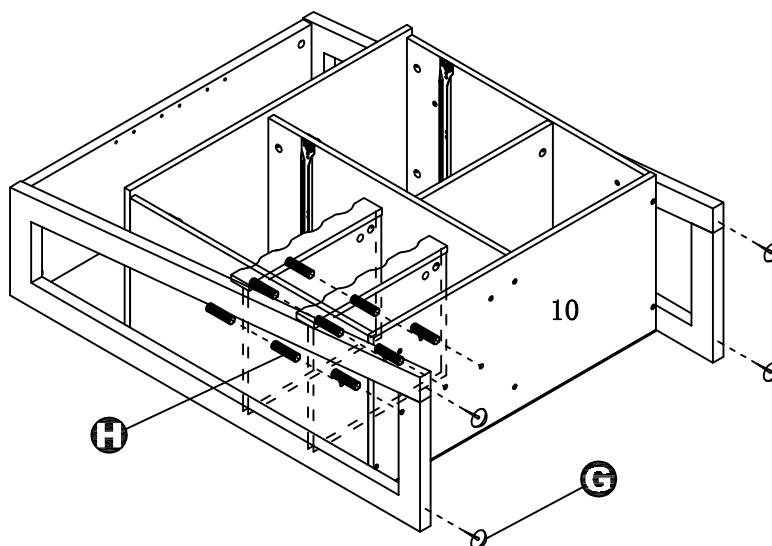
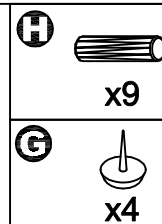
1. Screw large cambolts(A) into left side frame(3), insert dowels(C) into left side frame(3).
2. Attach right side frame(3) assembly to small top(1) and left side panel(5) using large camlocks(B) and flathead screw(S).



A		x2
B		x2
C		x3
F		x2
S		x4

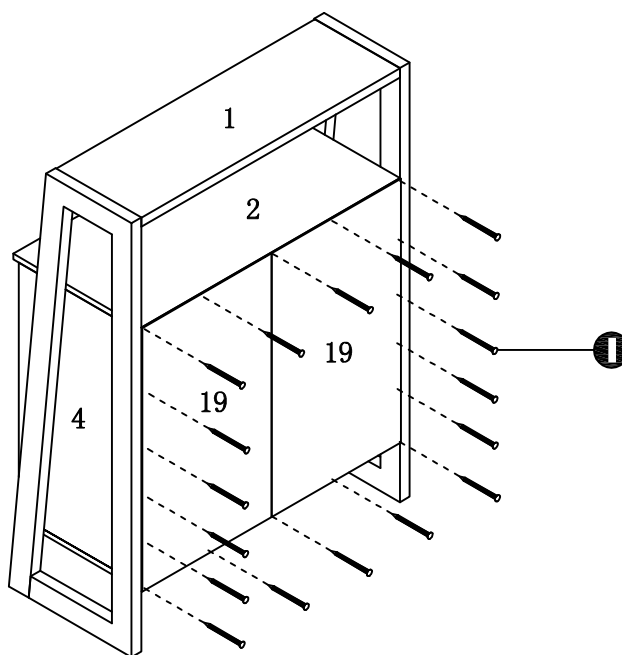
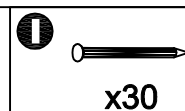
Step 11

1. Insert long dowels into left shelves(9) and bottom panel(10) as shown.
2. Tap foot pins(G) onto legs.

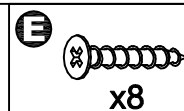


Step 12

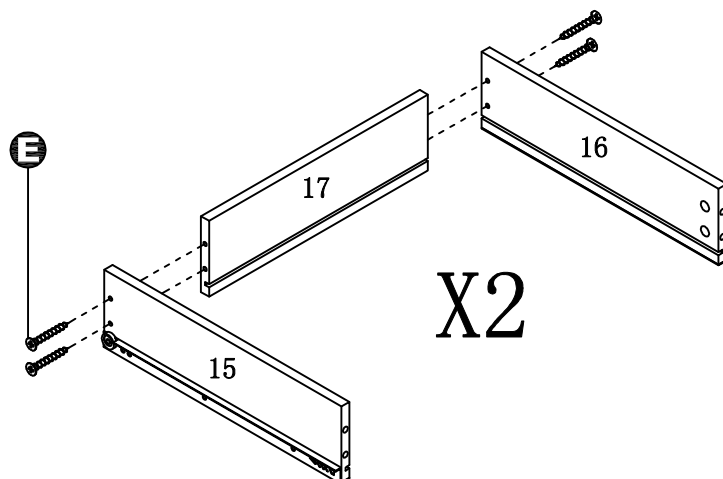
1. Attach back panels(19) assembly to cabinet body using nails(I).



Step13

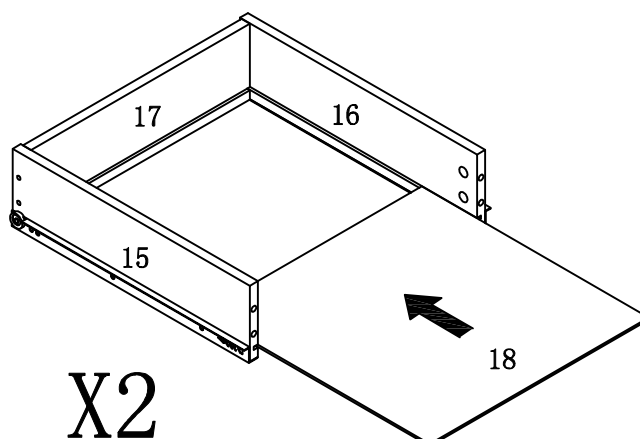


1. Attach left drawer side panel(15) and right drawer side panel(16) to drawer back panel(17) using large screws(E).



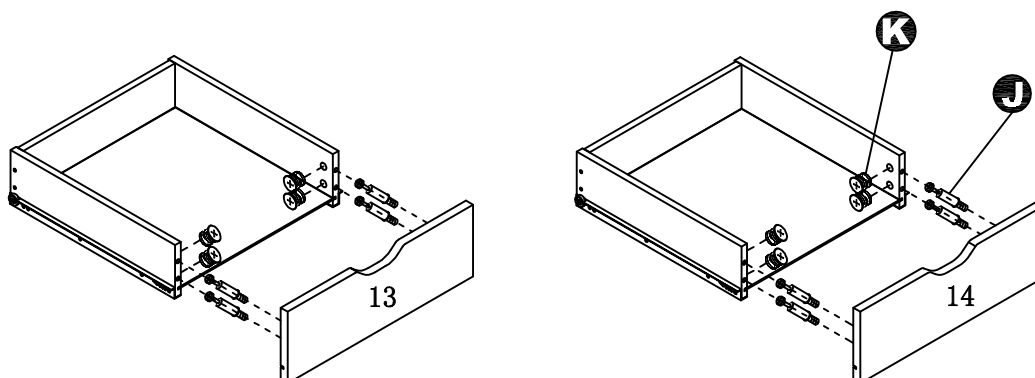
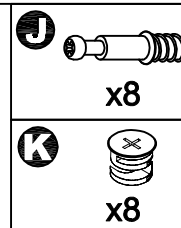
Step14

1. Insert drawer bottom panel(18) into grooves of drawer side panel(15,16) to drawer bottom panel(17)
2. Repeat step 1 for another drawer box



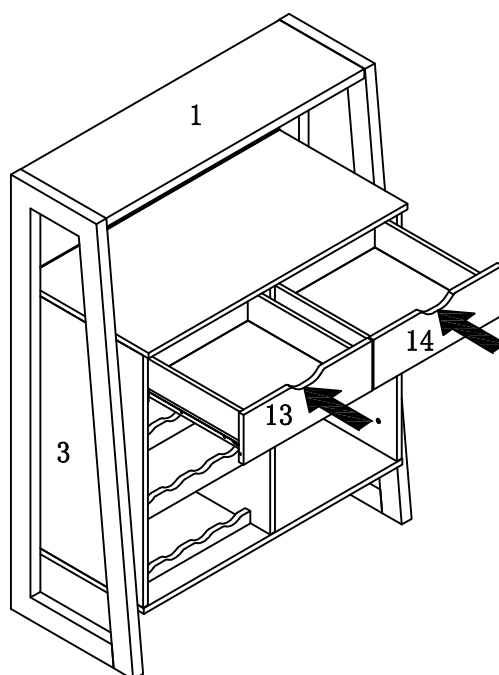
Step 15

1. Screw small cambolts(J) into left drawer front panel(13).
2. Attach left drawer front panel(13) to drawer box using small camlocks(K).
3. Screw small cambolts(J) into right drawer front panel(14).
4. Attach right drawer front panel(14) to drawer box using small camlocks(K).



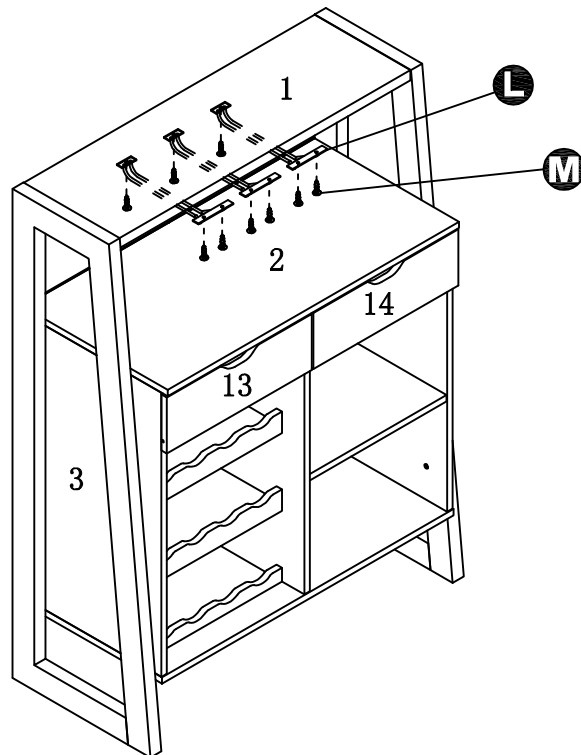
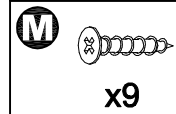
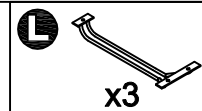
Step 16

1. Put drawer boxes into place as shown.



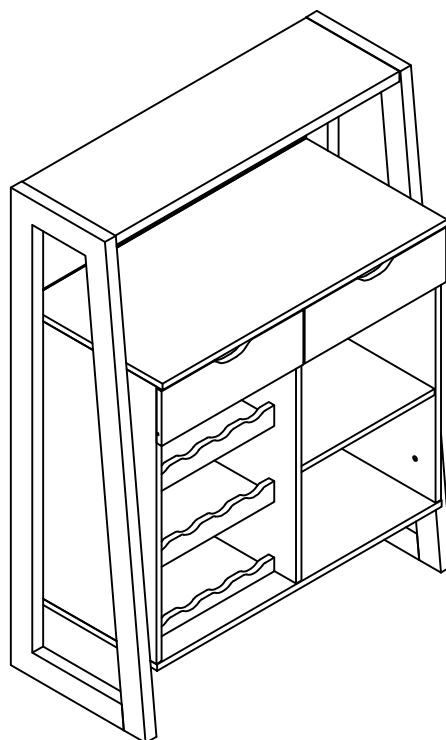
Step 17

1. Attach glass holders to bottom of small top(1) using extra small screws(9) as shown,



Step 18

Enjoy Your Uptown Wine Bar!



ANTI-TIPPING STRAP INSTRUCTION

HARDWARE(INCLUDED):

TOOLS NEEDED (NOT INCLUDED):



DRYWALL ANCHOR Ø8x40 x 1PC



METAL BRACKETS 12x12x1 x 2PCS



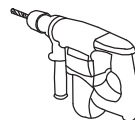
DRYWALL SCREW Ø5x40 x 1PC



STRAP 197x5x1 x 1PC



FLATHEAD SCREW Ø4x25 x 1PC



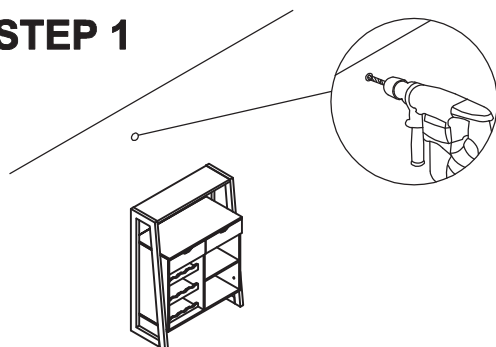
DRILL & DRILL BIT



LIGHT HAMMER

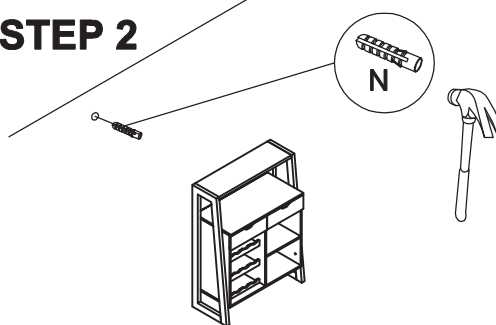
Note: Hardware included only compatible with standard drywalls.

STEP 1



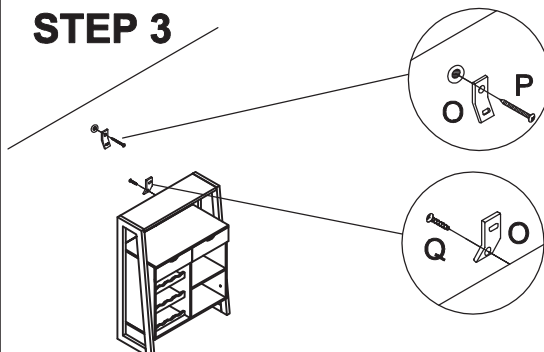
- 1.Find spot on wall 1" below top of item.
- 2.Using a drill bit slightly thinner than anchor ,drill hole into drywall.

STEP 2



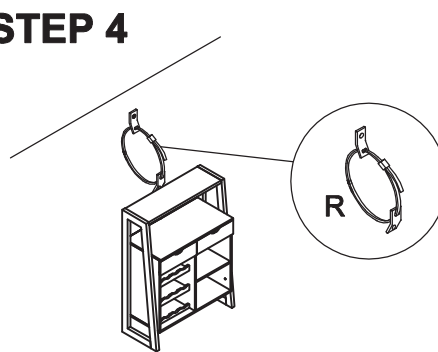
- 1.Use a light hammer to tap anchor into hole.
- 2.Anchor should fit snugly.If hole is too small, drill again to increase hole size .Do not force anchor into wall.

STEP 3



- 1.Insert drywall screw into metal bracket and into drywall anchor.
- 2.Insert flathead screw into second metal bracket and into back of item along top edge.

STEP 4



- 1.Insert strap through bracket attached to wall. then through bracket on item,and into head of strap
 - 2.Pull lightly until strap stops.
- Assembly is complete.**