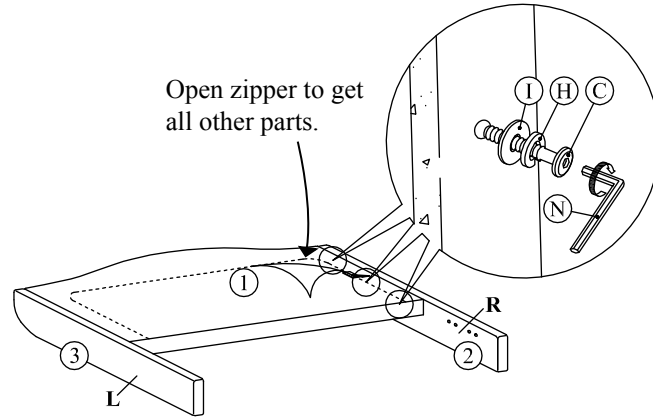


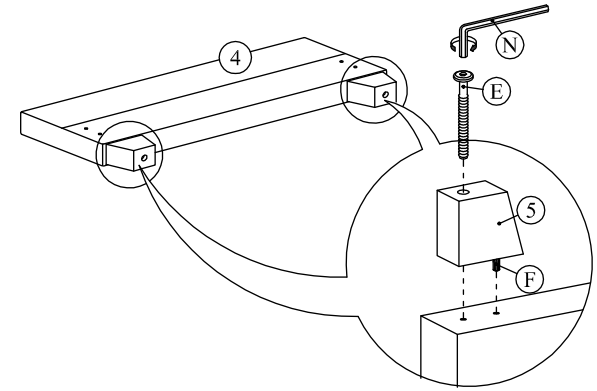
ASSEMBLY INSTRUCTION

NO	PARTLIST	QTY
1	HEADBOARD CUSHION	1PC
2	WING (R)	1PC
3	WING (L)	1PC
4	FOOTBOARD CUSHION	1PC
5	FOOTBOARD LEG	2PCS
6	SIDE RAIL (L/R)	2PCS
7	SIDE RAIL (L/R)	2PCS
8	SIDE RAIL SUPPORT LEG	2PCS
9	SLAT	4PCS
10	SUPPORT LEGS	8PCS
ITEM	HARDWARE	QTY
A	JCBB SCREW M8 x 20MM	4PCS
B	JCBC SCREW M6 x 25MM	8PCS
C	JCBC SCREW M6 x 35MM	14PCS
D	JCBC SCREW M8 x 50MM	4PCS
E	JCBC SCREW M6 x 70MM	2PCS
F	WOOD DOWEL M8 x 30MM	2PCS
G	WOOD DOWEL M10 x 30MM	4PCS
H	SPRING WASHER M6 x 13MM	14PCS
I	FLAT WASHER M6 x 19MM	14PCS
J	SPRING WASHER M8 x 14MM	4PCS
K	FLAT WASHER M8 x 22MM	4PCS
L	SCREW M4 x 32MM	8PCS
M	L - KEY M5 x 65MM	1PC
N	L - KEY M4 x 65MM	1PC
O	SUPPORT LEG ADJUSTABLE FEET	8PCS

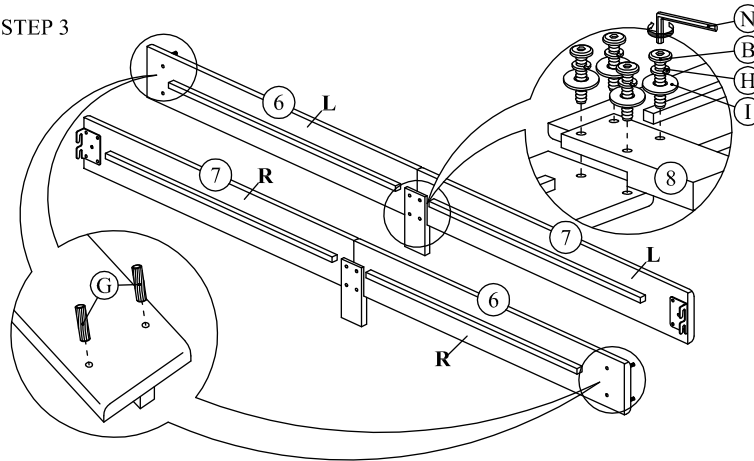
STEP 1



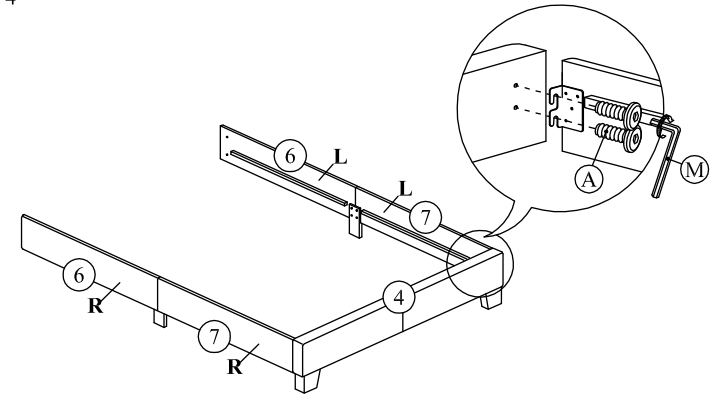
STEP 2



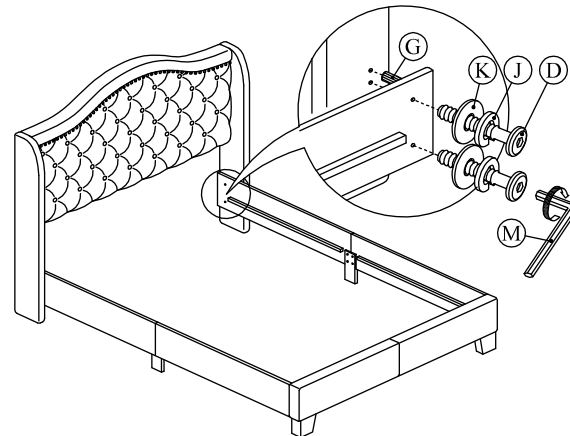
STEP 3



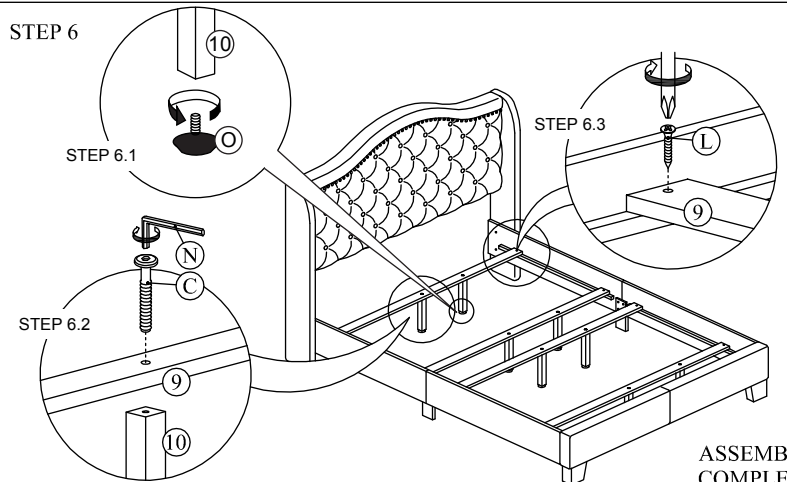
STEP 4



STEP 5



STEP 6



ASSEMBLY COMPLETE