

ASSEMBLY INSTRUCTION

Thank you for purchasing this quality product. Be sure to check all packing material carefully for small parts which may have come loose inside the carton during shipment. Separate, identify and count all parts and hardware. Compare with the parts list to be sure all parts are present.

IMPORTANT : PLEASE READ INSTRUCTION BEFORE STARTING THE ASSEMBLY.

"DO NOT TIGHTEN SCREWS UNTIL COMPLETELY ASSEMBLED"

"DO NOT OVERTIGHT ANY HARDWARE"

WARNING : SMALL PARTS AND HARDWARE NOT FOR CHILDREN UNDER 3 YEARS. ADULT ASSEMBLY REQUIRED.

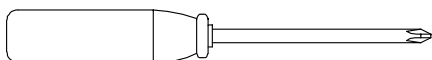
TABLE OF CONTENTS

HARDWARES LIST	PAGE 2 - 3
PARTS LIST	PAGE 4 - 5
PARTS' LOCATION	PAGE 6
ASSEMBLY STEPS	PAGE 7 - 16
ASSEMBLY COMPLETED	PAGE 16
ANTI-TIPPING INSTALLMENT INSTRUCTIONS	PAGE 17

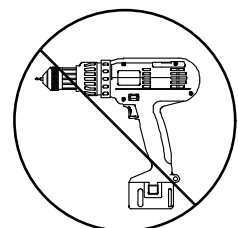
ASSEMBLY TOOLS REQUIRED

Skip the power trip this time.

1. Screwdriver (not provide)




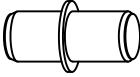
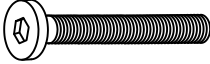






2. Hammer (not provide)



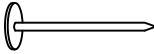
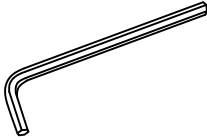
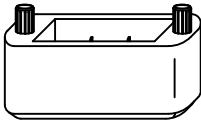

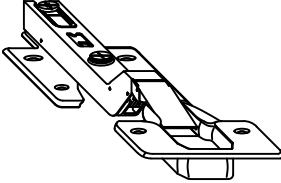

ASSEMBLY INSTRUCTION

HARDWARES LIST

ITEM	DESCRIPTION	DRAWING	QTY
A	MINIFIX CAM LOCK		28 PCS
B	MINIFIX CAM BOLT		28 PCS
C	WOOD DOWEL (M8 x 25MM)		32 PCS
D	SHELF SUPPORT (M5 x 16mm)		16 PCS
E	JCBC SCREW M6 x 35MM		4 PCS
F	SPRING WASHER M6 x 13MM		4 PCS
G	FLAT WASHER M6 x 19MM		4 PCS
H	TRUSS M-SCREW (20MM)		8 PCS
I	HANDLE		4 PCS

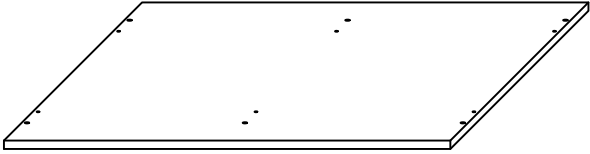
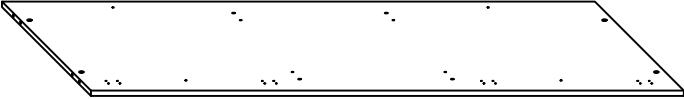
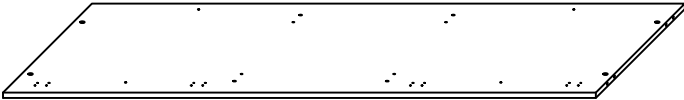
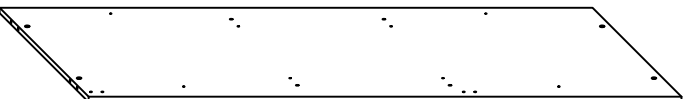
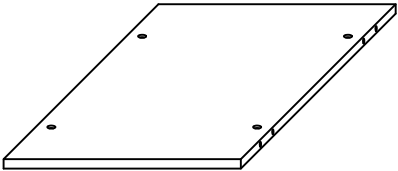
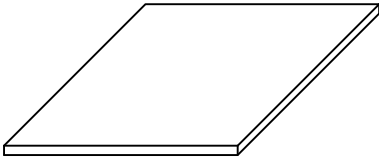
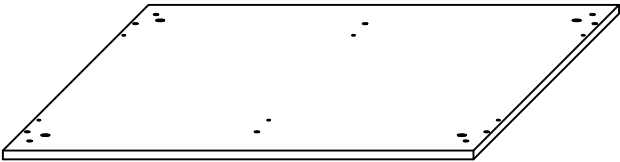
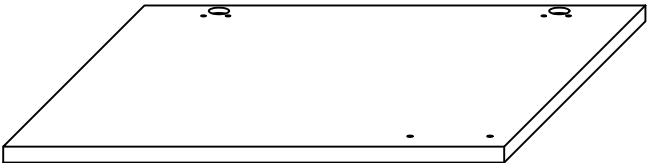
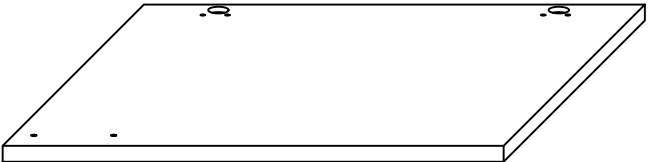
ASSEMBLY INSTRUCTION

HARDWARES LIST

ITEM	DESCRIPTION	DRAWING	QTY
J	6/8" NAIL		26 PCS
K	M4 ALLEN KEY (65MM)		1 PC
L	PLASTIC STOPPER		4 PCS
M	CSK C/B SCREW (M4 x 16MM)		48 PCS
N	SOFT-CLOSE HINGES		8 PCS
O	PLASTIC STRIP (H SHAPE)		1 PC


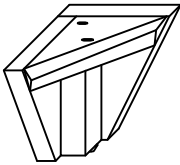
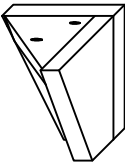
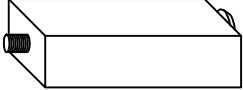
ASSEMBLY INSTRUCTION

PARTS LIST

ITEM	DESCRIPTION	DRAWING	QTY
1	TOP PANEL		1 PC
2	LEFT PANEL		1 PC
3	RIGHT PANEL		1 PC
4	CENTRE PANEL		1 PC
5	FIXED COMPARTMENT PANEL		4 PCS
6	COMPARTMENT PANEL		4 PCS
7	BOTTOM PANEL		1 PC
8	DOOR (i)		2 PCS
9	DOOR (ii)		2 PCS

ASSEMBLY INSTRUCTION

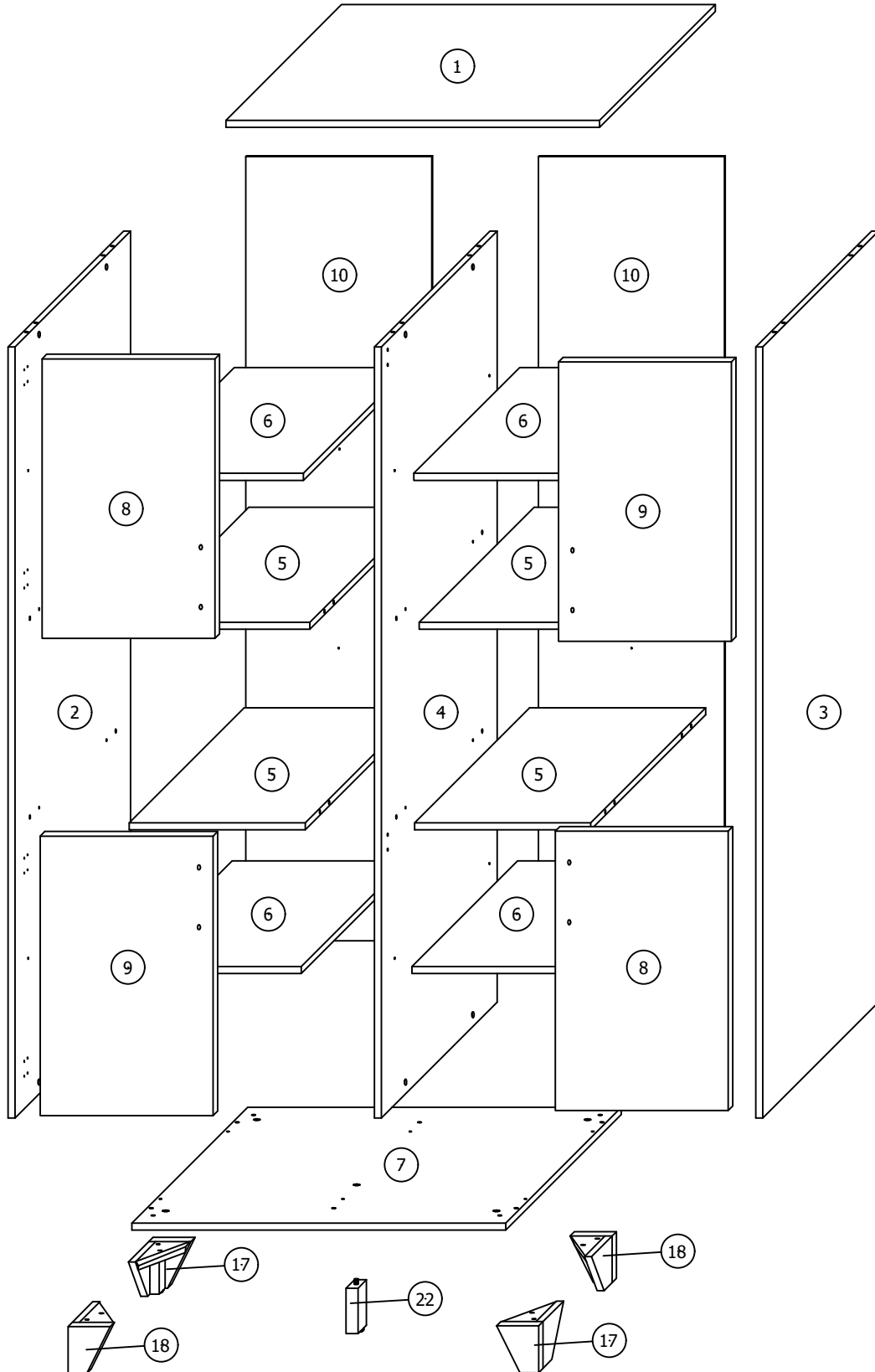
PARTS LIST

ITEM	DESCRIPTION	DRAWING	QTY
10	BACK PANEL		2 PCS
17	LEG (i)		2 PCS
18	LEG (ii)		2 PCS
22	CENTRE SUPPORT LEG		1 PC

ASSEMBLY INSTRUCTION

PARTS ' LOCATION

STORAGE CABINET x 1 PC

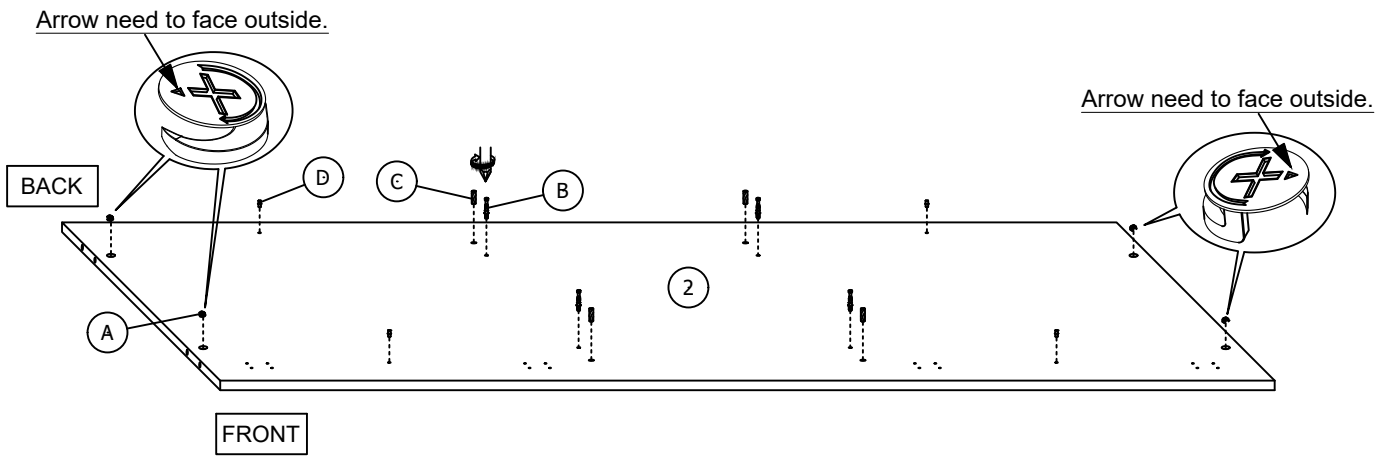


ASSEMBLY INSTRUCTION

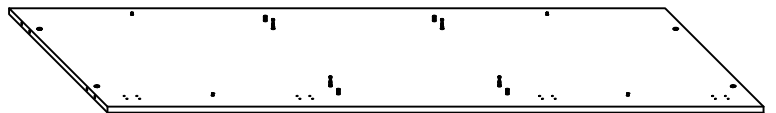
ASSEMBLY STEPS

STEP 1

Insert 4 pieces (A),(B),(C),(D) to the (2) as shown.

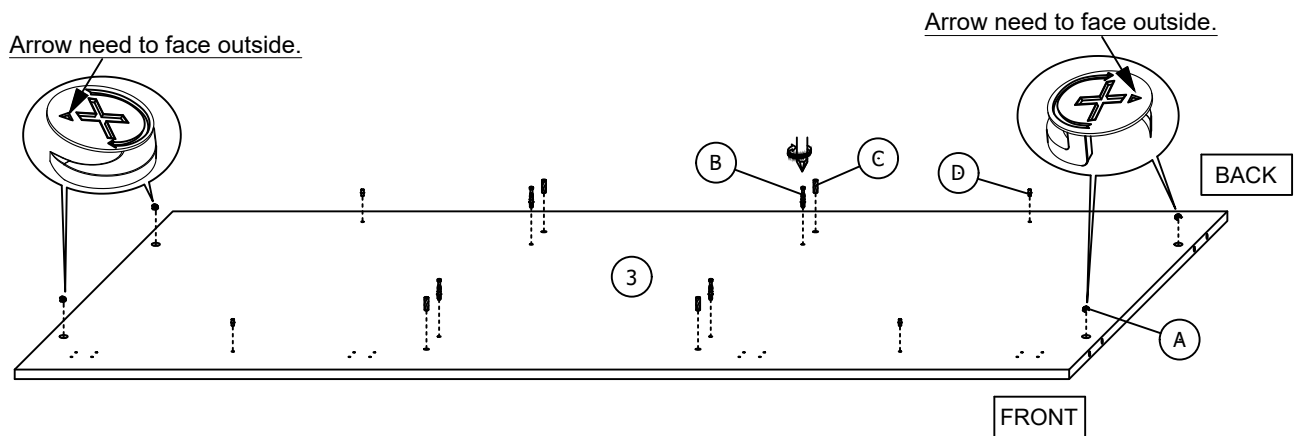


Assembled looks



STEP 2

Insert 4 pieces (A),(B),(C),(D) to the (3) as shown.



Assembled looks

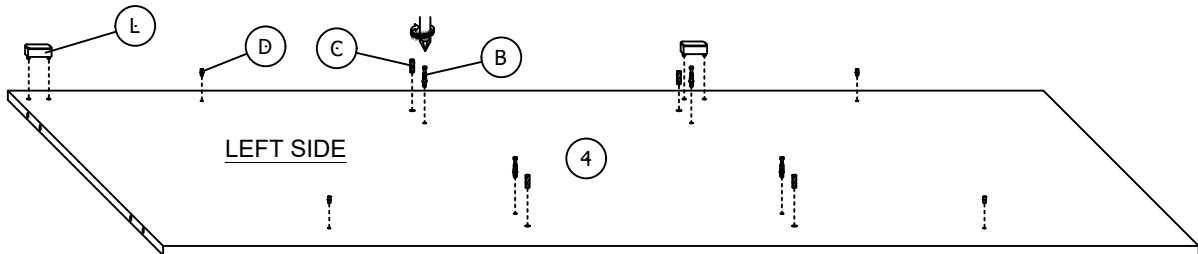
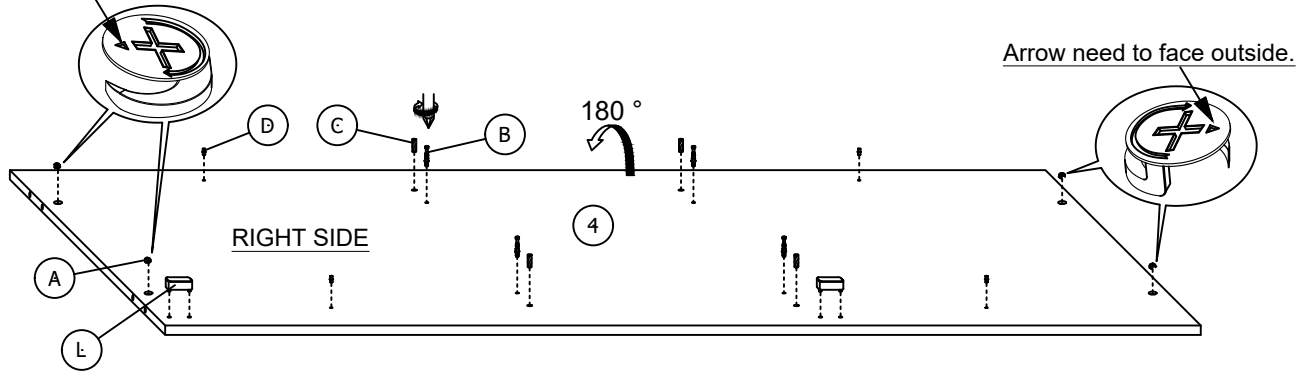


ASSEMBLY INSTRUCTION

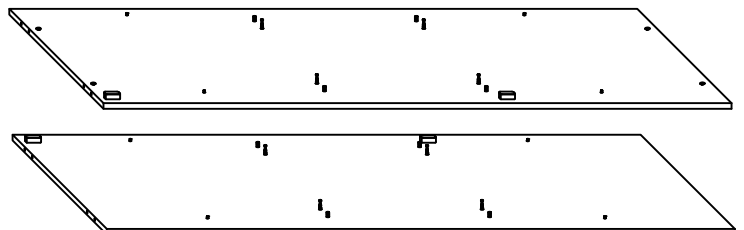
STEP 3

Insert 4 pieces (A),(B),(C),(D) and 2 pieces (L) to the right side of (4), another 4 pieces (B),(C),(D) and 2 pieces (L) to the left side as shown.

Arrow need to face outside.



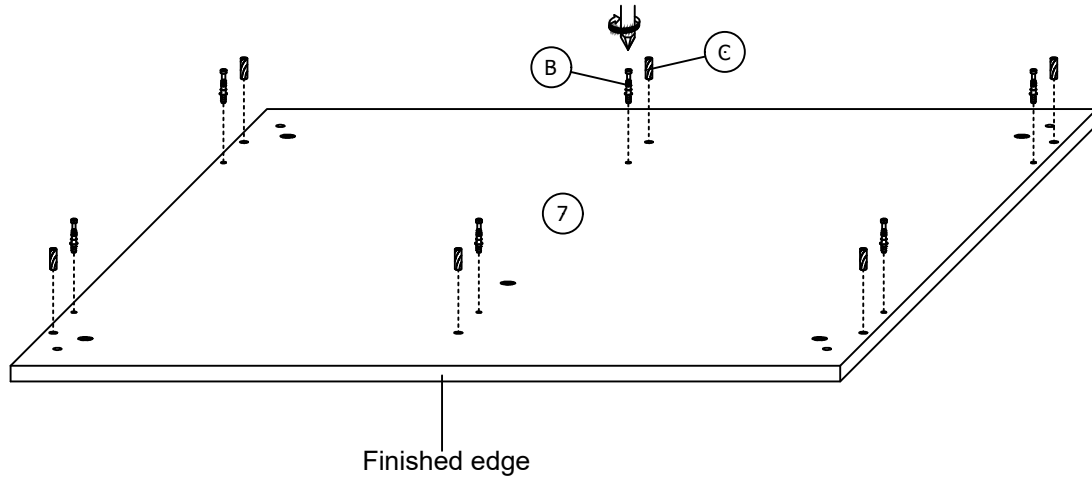
Assembled looks



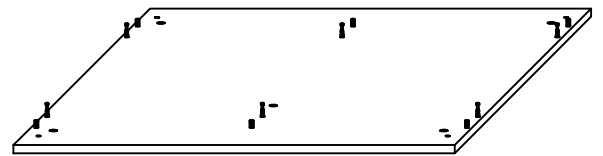
ASSEMBLY INSTRUCTION

STEP 4

Insert 6 pieces (B),(C) to the (7) as shown.

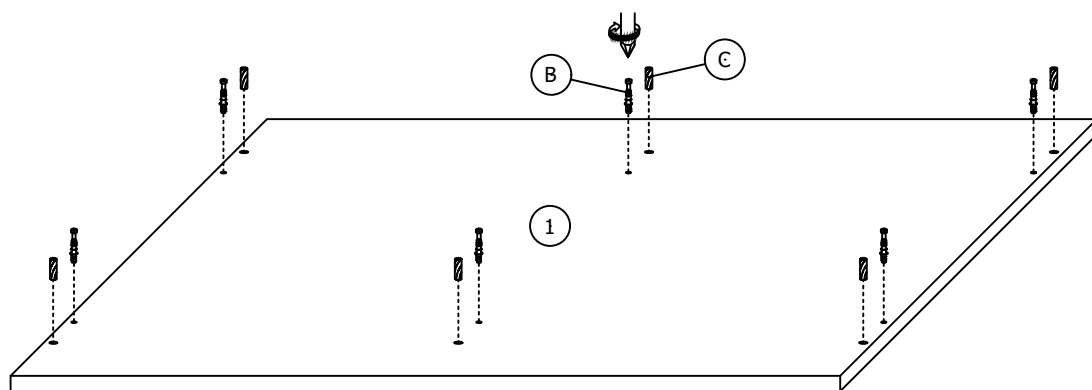


Assembled looks

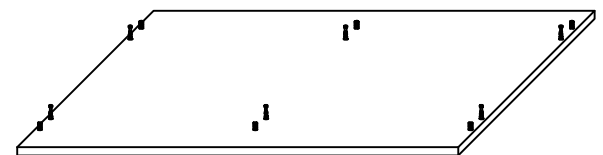


STEP 5

Insert 6 pieces (B),(C) to the (1) as shown.



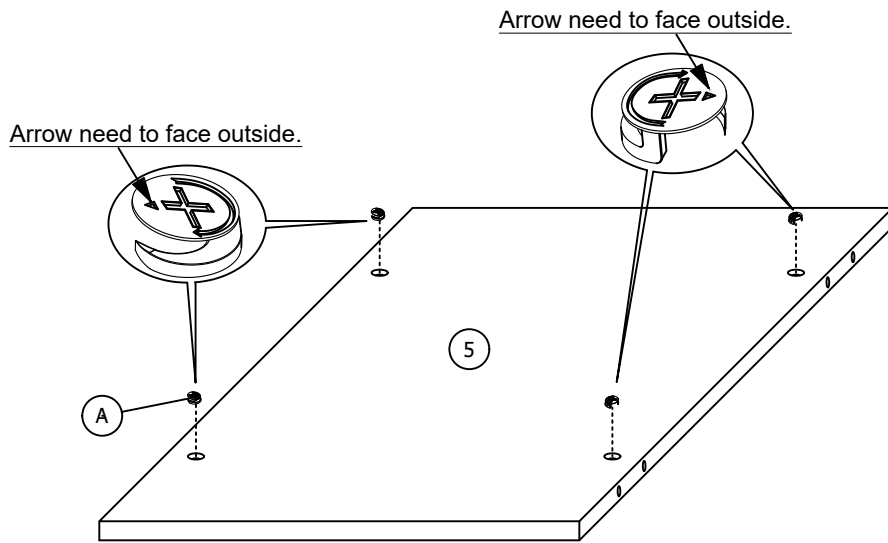
Assembled looks



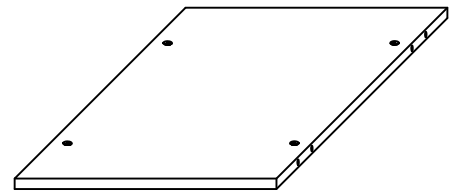
ASSEMBLY INSTRUCTION

STEP 6

Insert 4 pieces (A) to the (5) as shown. This step needs to be **done four times**.

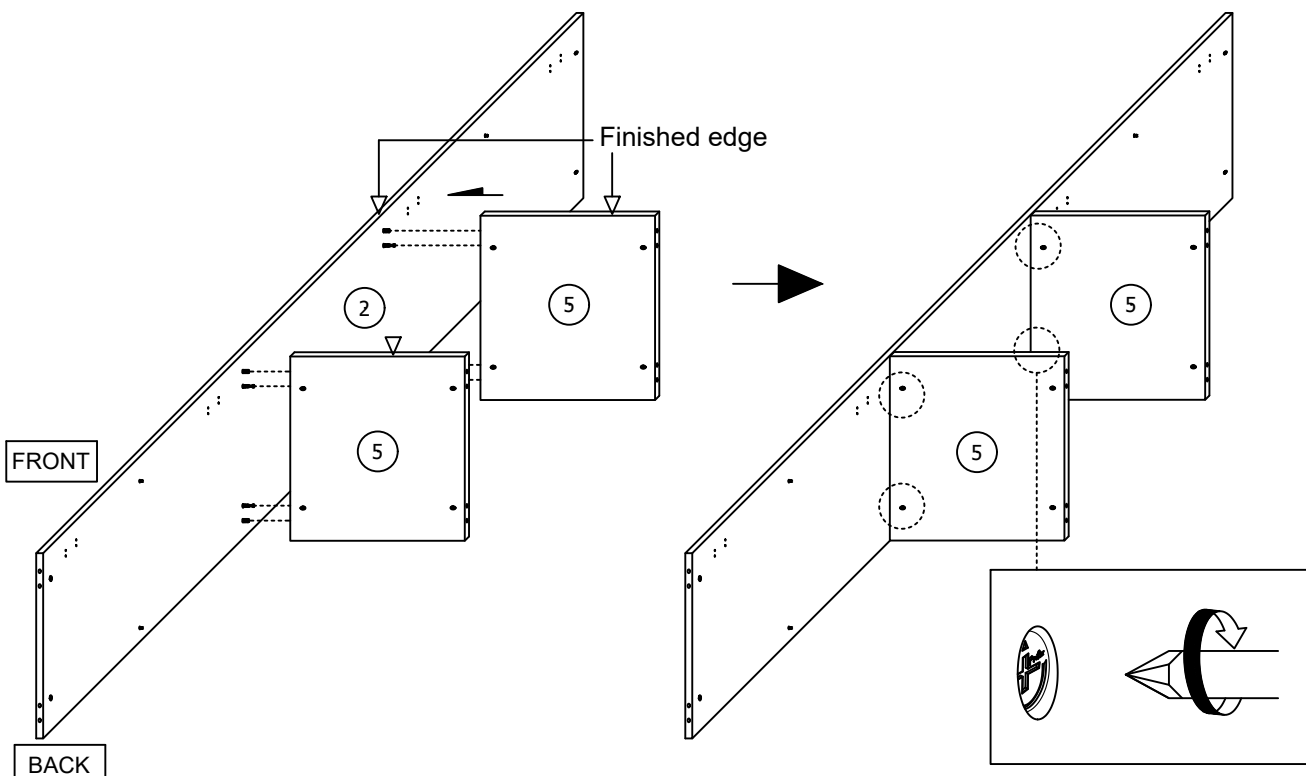


Assembled looks



STEP 7

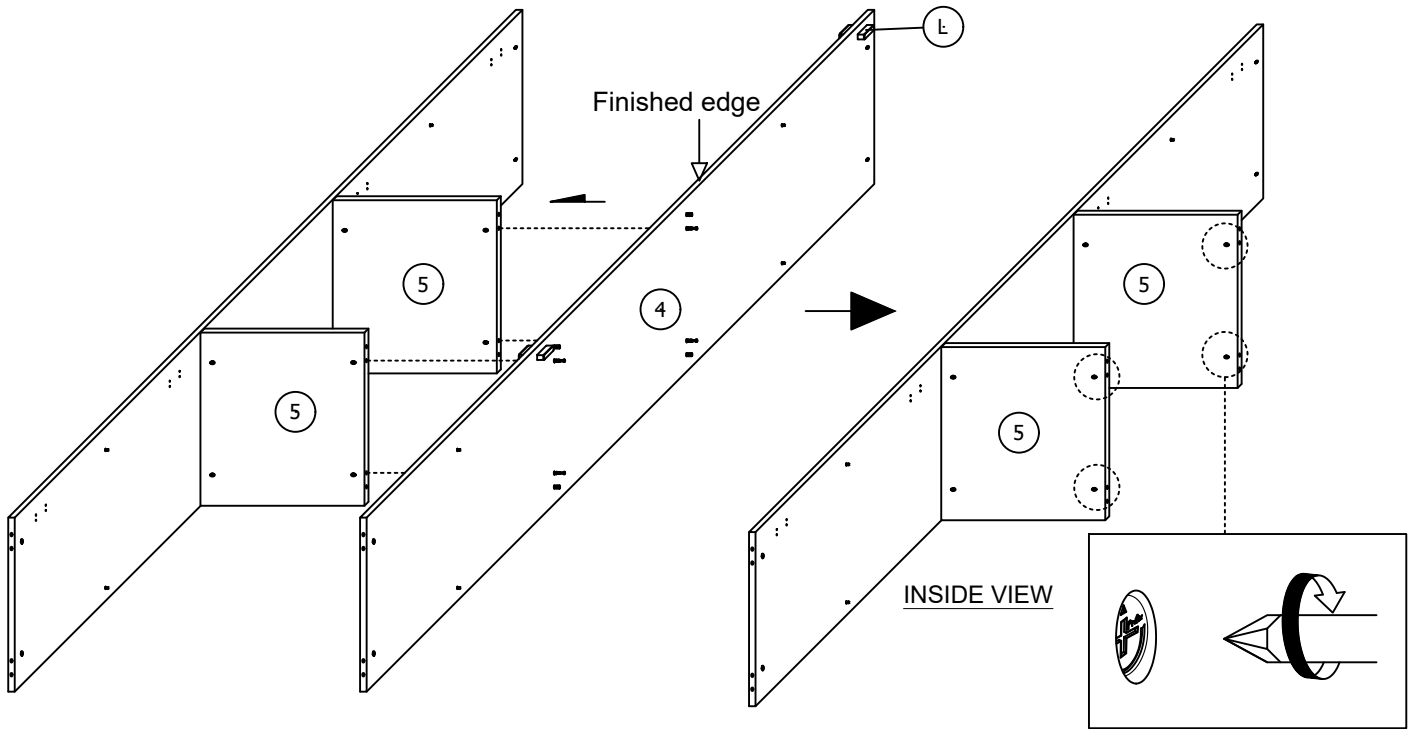
Combine 2 pieces (5) to the (2) then tighten the 4 pieces (A)-(pre insert in previous step) as shown.



ASSEMBLY INSTRUCTION

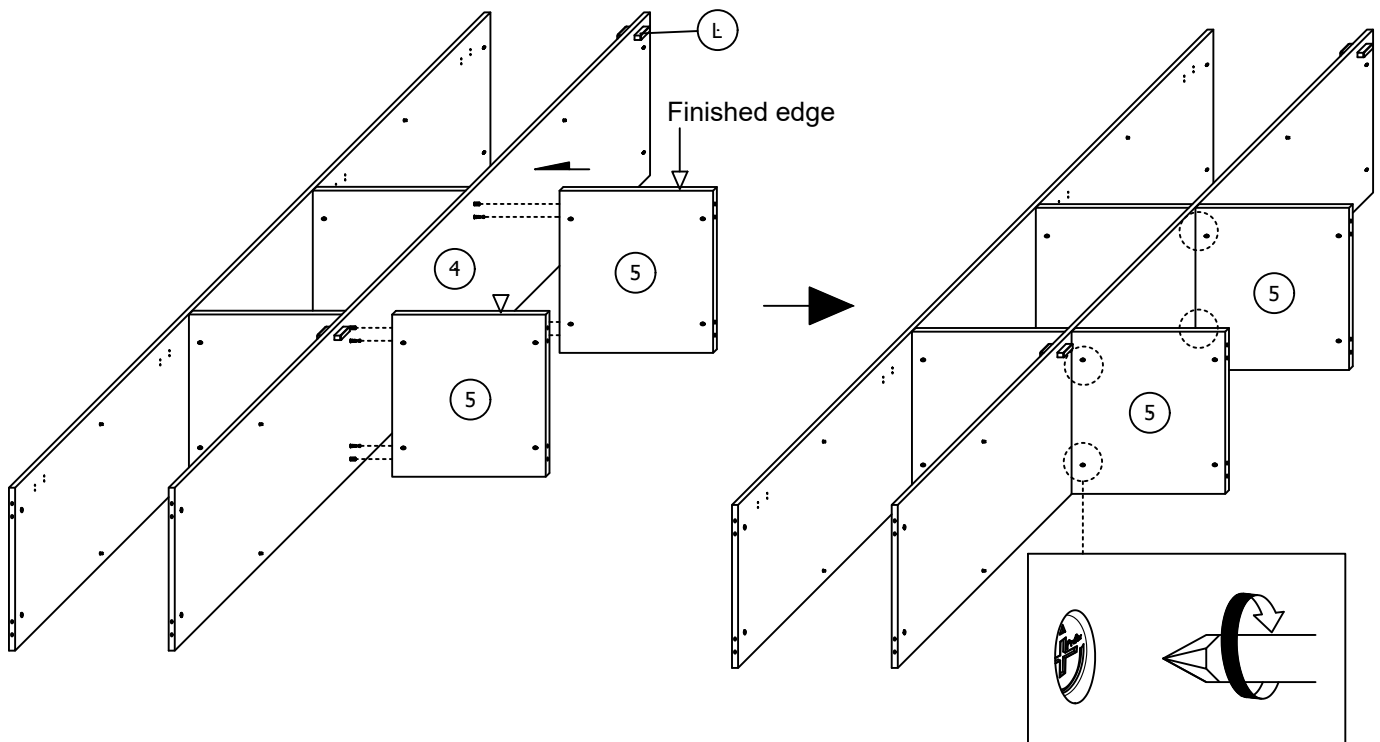
STEP 8

Combine the (4) to the 2 pieces (5) then tighten the another 4 pieces (A)-(pre insert in step 6) as shown.



STEP 9

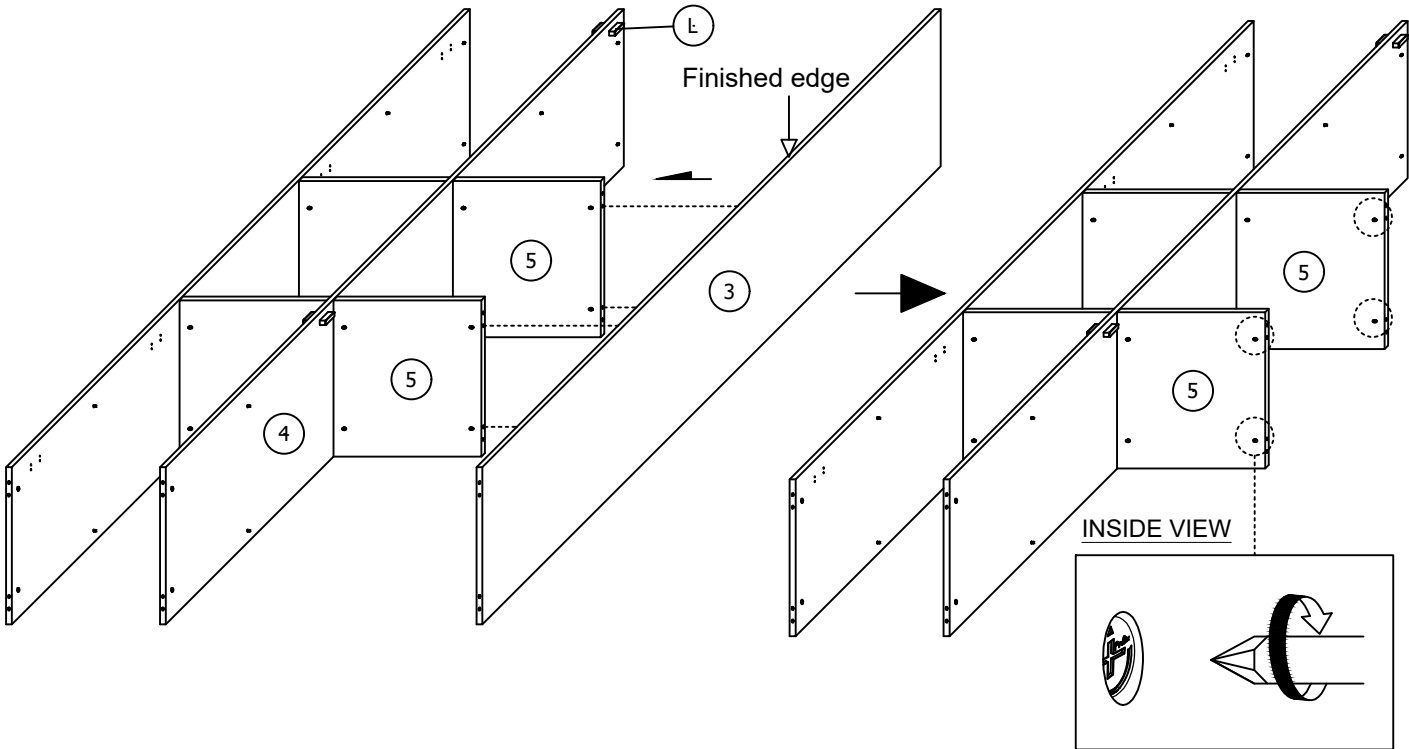
Combine the remaining 2 pieces (5) to the (4) then tighten the 4 pieces (A)-(pre insert in step 6) as shown.



ASSEMBLY INSTRUCTION

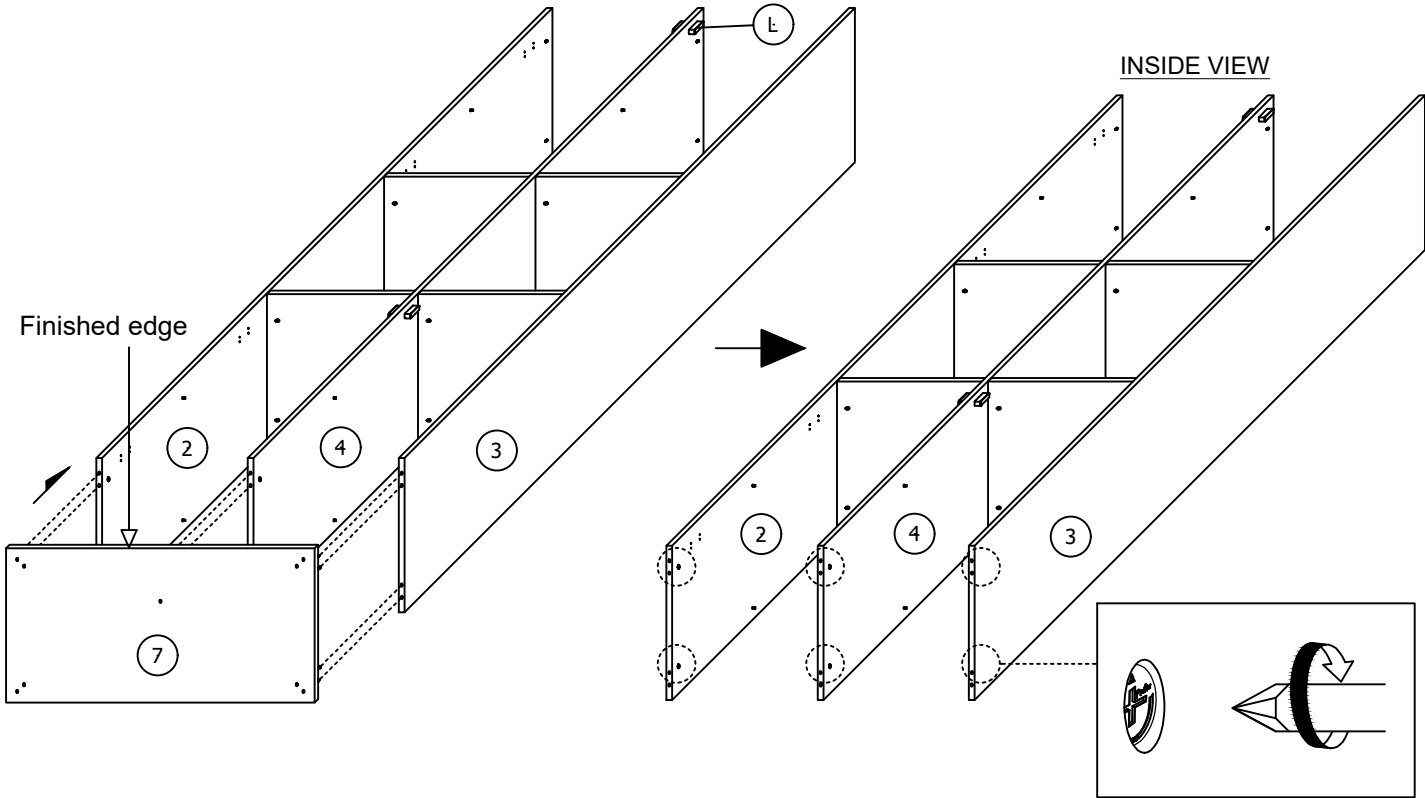
STEP 10

Combine the (3) to the another 2 pieces (5) then tighten the remaining 4 pieces (A)-(pre insert in step 6) as shown.



STEP 11

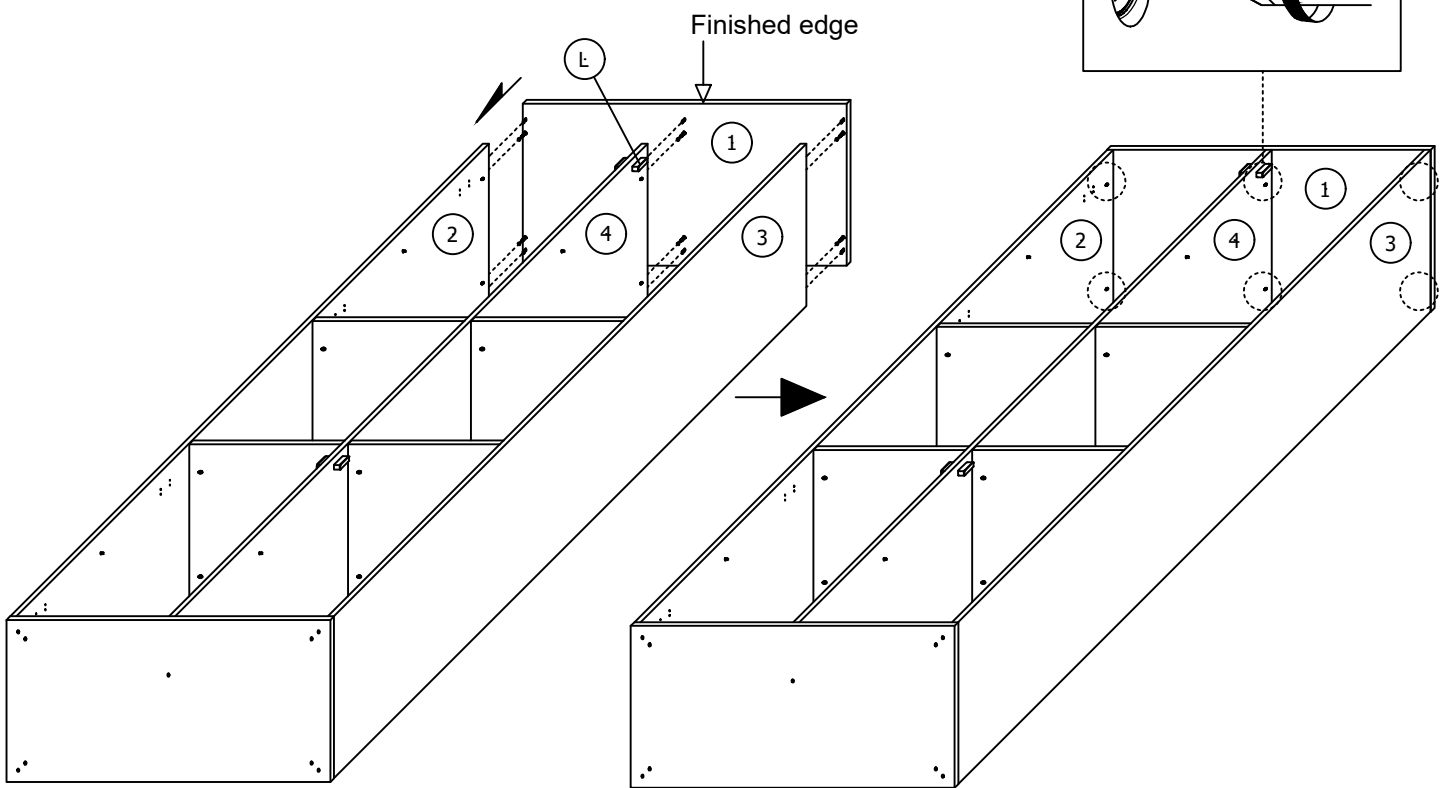
Combine the (7) to the (2),(3),(4) then tighten the 6 pieces (A)-(pre insert in step 1 to 3) as shown.



ASSEMBLY INSTRUCTION

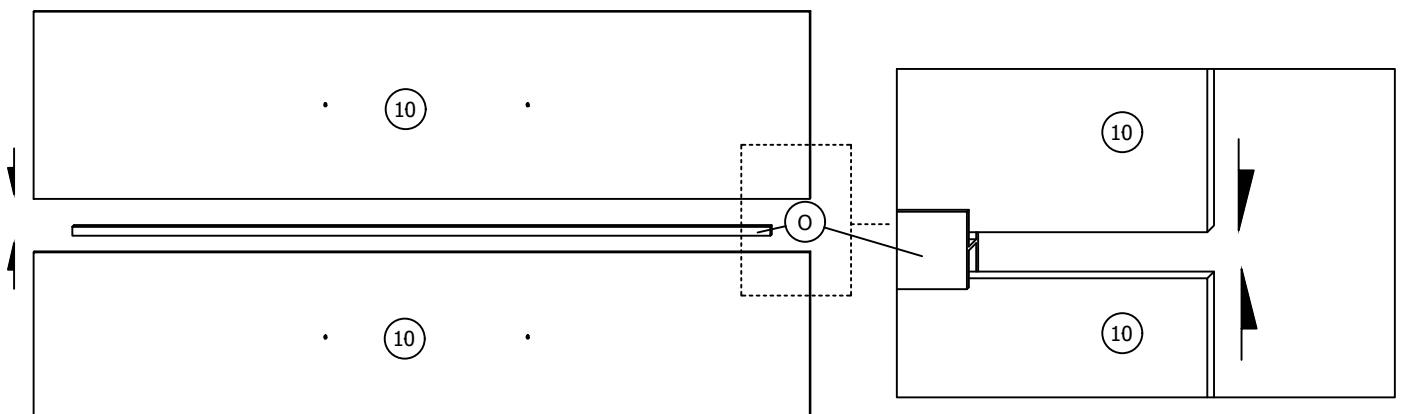
STEP 12

Combine the (1) to the (2),(3),(4) then tighten the remaining 6 pieces (A)-(pre insert in step 1 to 3) as shown.



STEP 13

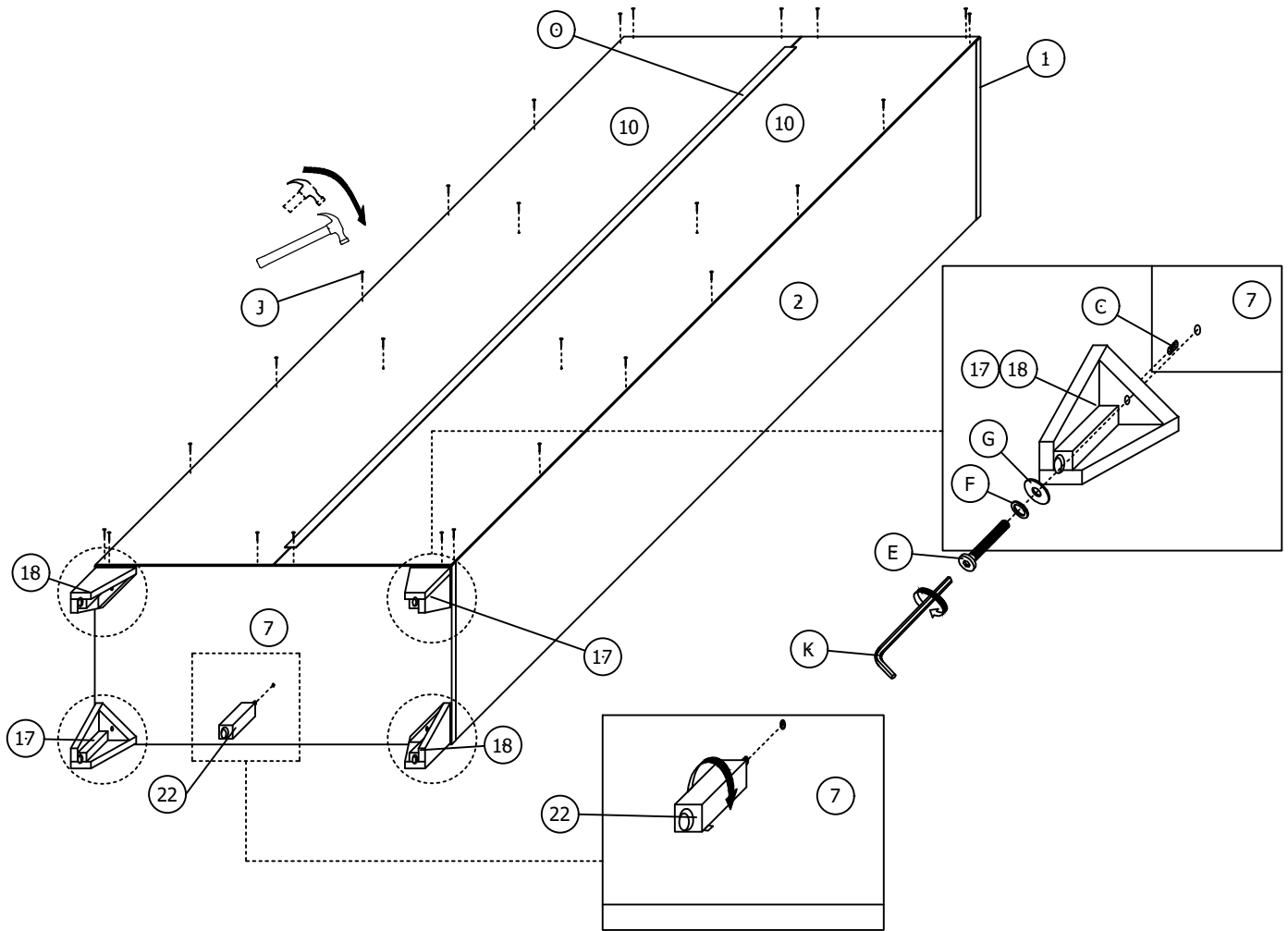
Put the 2 pieces (10) to the gap of (O) as shown. Direction of the side with colored paper must be the same.



ASSEMBLY INSTRUCTION

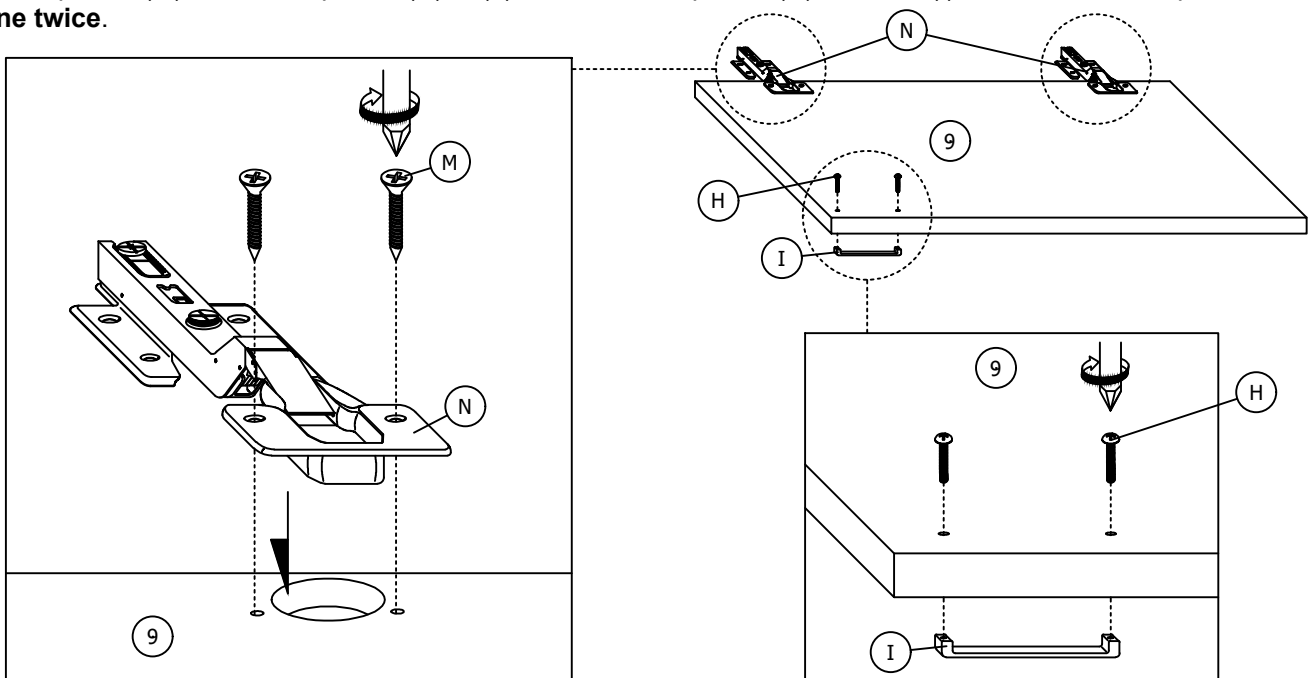
STEP 14

Insert 4 pieces (C),(E),(F),(G) to combine (17),(18) to the (7). Then insert all the 26 pieces (J) to fix the 2 pieces (10) as shown. Colored paper face to inside. To prevent blocking (1) and (7), make sure the (O) at the middle of (10), do not over high or lower. Turn (22) clockwise to combine to the (7).



STEP 15

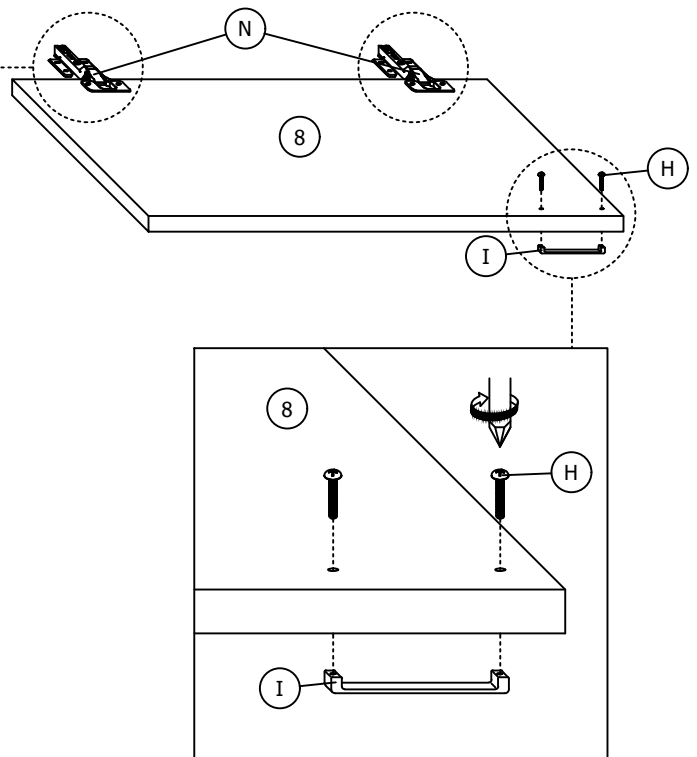
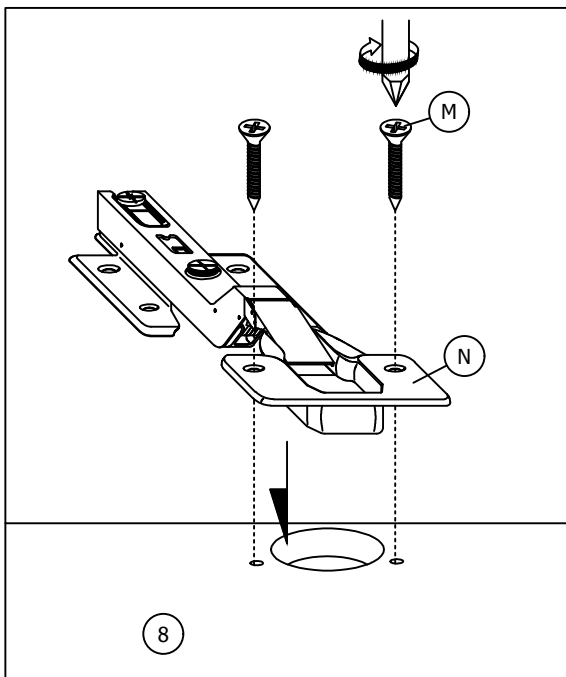
Insert 4 pieces (M) to fix the 2 pieces (N) to (9). Then insert 2 pieces (H) to fix the (I) as shown. This step needs to be done twice.



ASSEMBLY INSTRUCTION

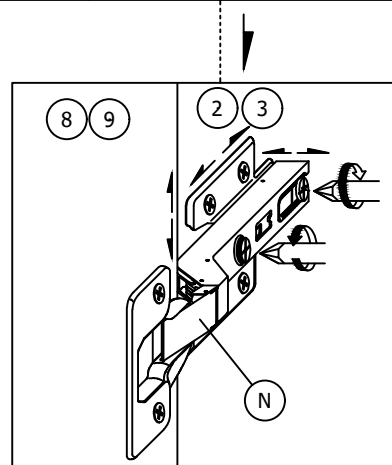
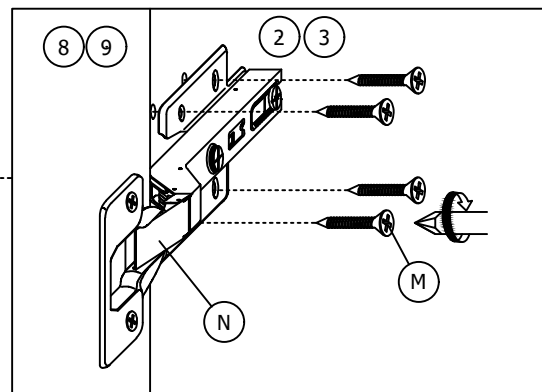
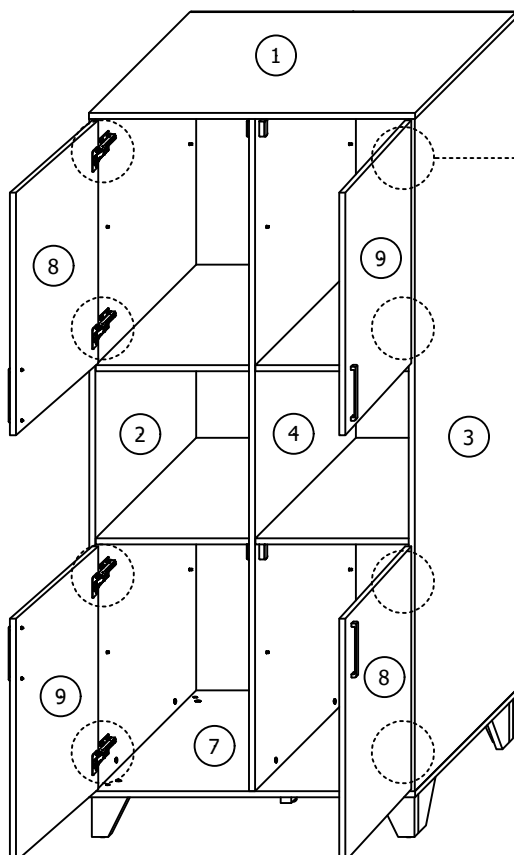
STEP 16

Insert 4 pieces (M) to fix the 2 pieces (N) to (8). Then insert 2 pieces (H) to fix the (I) as shown. This step needs to be **done twice**.



STEP 17

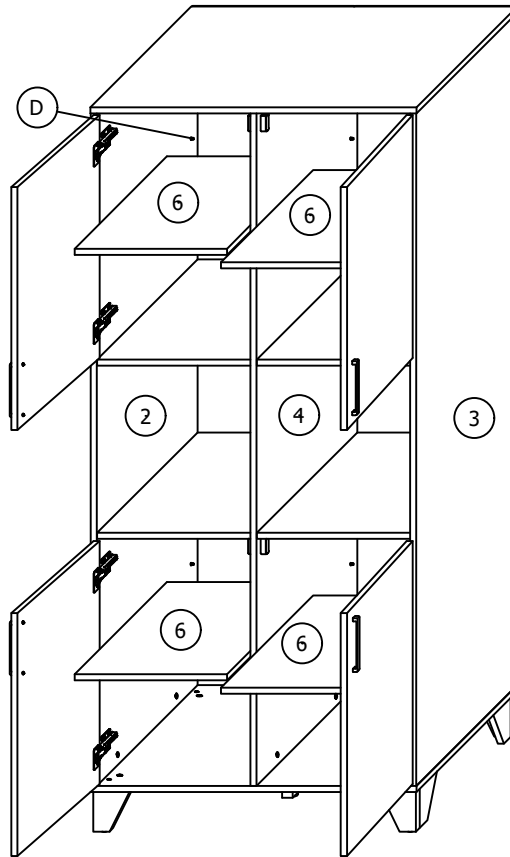
Insert the remaining 32 pieces (M) to fix the (N) to the (2),(3). Adjust the (N) then tighten the 16 pieces adjuster screws as shown.



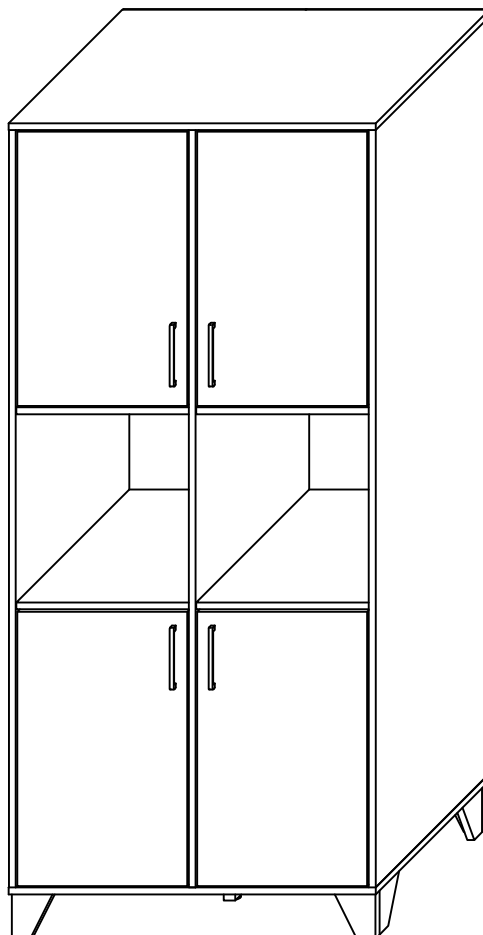
ASSEMBLY INSTRUCTION

STEP 18

Put the 4 pieces (6) on the (D) which between (2),(3),(4) as shown.



STEP 19



ASSEMBLY COMPLETED

WALL STUD

SAFETY BRACKET INSTRUCTIONS

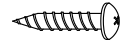
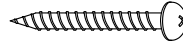
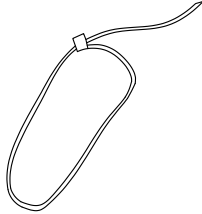
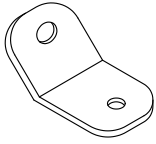
Part Enclosed :

A) Bracket

B) Safety Strap

C) 50mm Pan Head Screw

D) 17mm Pan Head Screw



2x

1x

1x

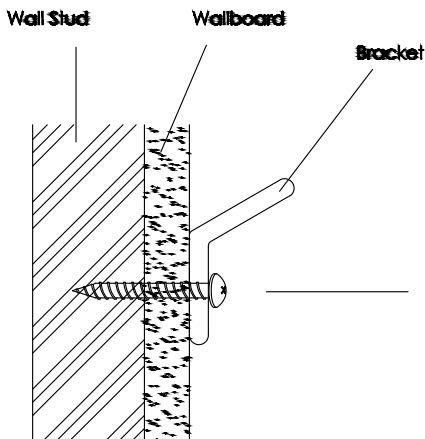
1x

IMPORTANT: Tipping can injure young children. Use of this safety hardware is highly recommended. This safety hardware, when properly installed, can provide furniture protection against unexpected accidental tipping of furniture due to improper use.

Step 1

Attach a bracket to the wall board with the 2" screw provided:

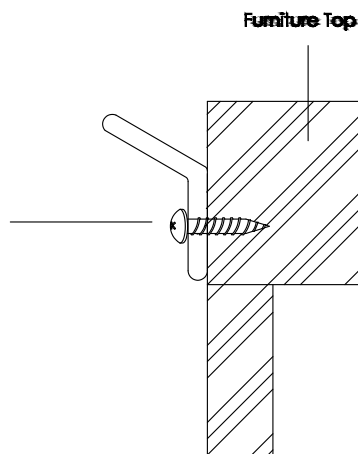
- It is recommended that you locate a wall stud behind the furniture unit. If the wall stud is not used, a suitable "Hollow-Wall Anchor Bolt" (not provided) should be used in lieu of the wall stud.
- Position the wall bracket on the stud about 1" below the top of furniture piece.
- Mark the position for the bracket placement on the wall and drill a pilot hole into the stud.
- Attach the bracket to the back of the furniture with the 2" screws provided.



Step 2

To attach a bracket to the Furniture Frame below to top with the short screws provided :

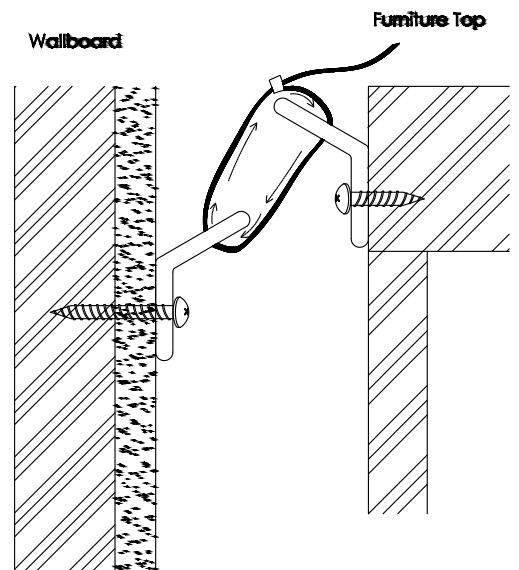
- Move the furniture piece temporarily to its final position to the wall.
- Mark the location of the bracket on the back of the furniture in relation to the previously mounted wall bracket.
- Move the furniture piece away from the wall mounted bracket and place the other bracket on the mark position on the back of the furniture piece.
- Drill a pilot hole as shown in the figure or into the back furniture frame.
- Caution:** Mark sure you do not drill completely through the back of the furniture.
- Attach the bracket to the back of the furniture with the 5/8" screws provided.



Step 3

To Attach the safety strap:

- Move the furniture back to its final position.
- Thread the safety strap through both of the mounted brackets as shown in the illustration.
- Tighten the strap unit snug.
- Do not over tighten.



IMPORTANT: Make sure the brackets are firmly attached to the wall stud and furniture frame and the safety strap is snug.

Warning: This product is not be a substitute for proper parental supervision which is the only proper deterrent to prevent improper use of this unit. The manufacturer assumes no liability for improper installation or excessive loads placed on the safety straps, bracket or mounting screws. This hardware will not insure against tipping.

Note: For taller or heavier pieces of furniture, two safety brackets may be installed.