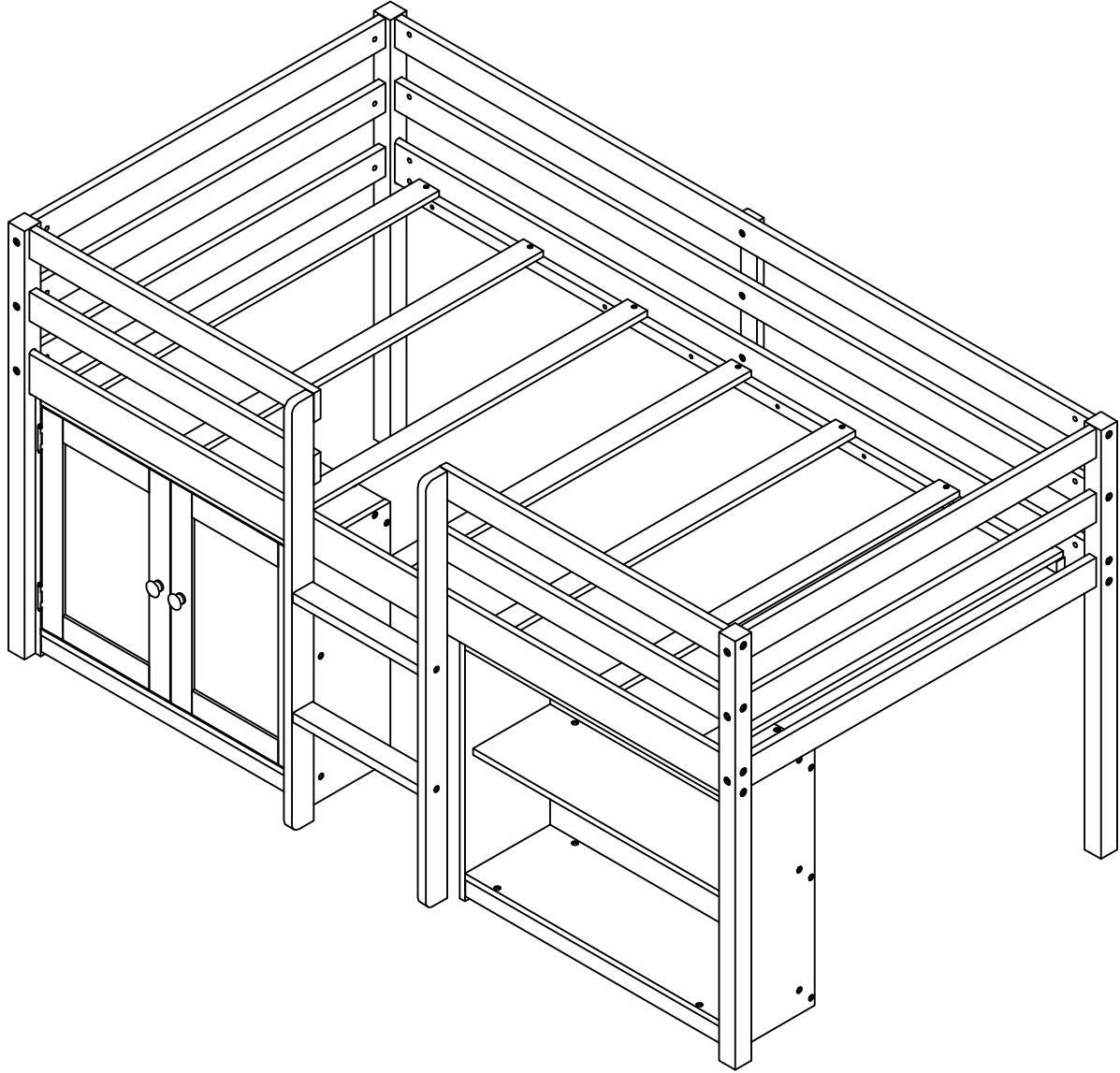
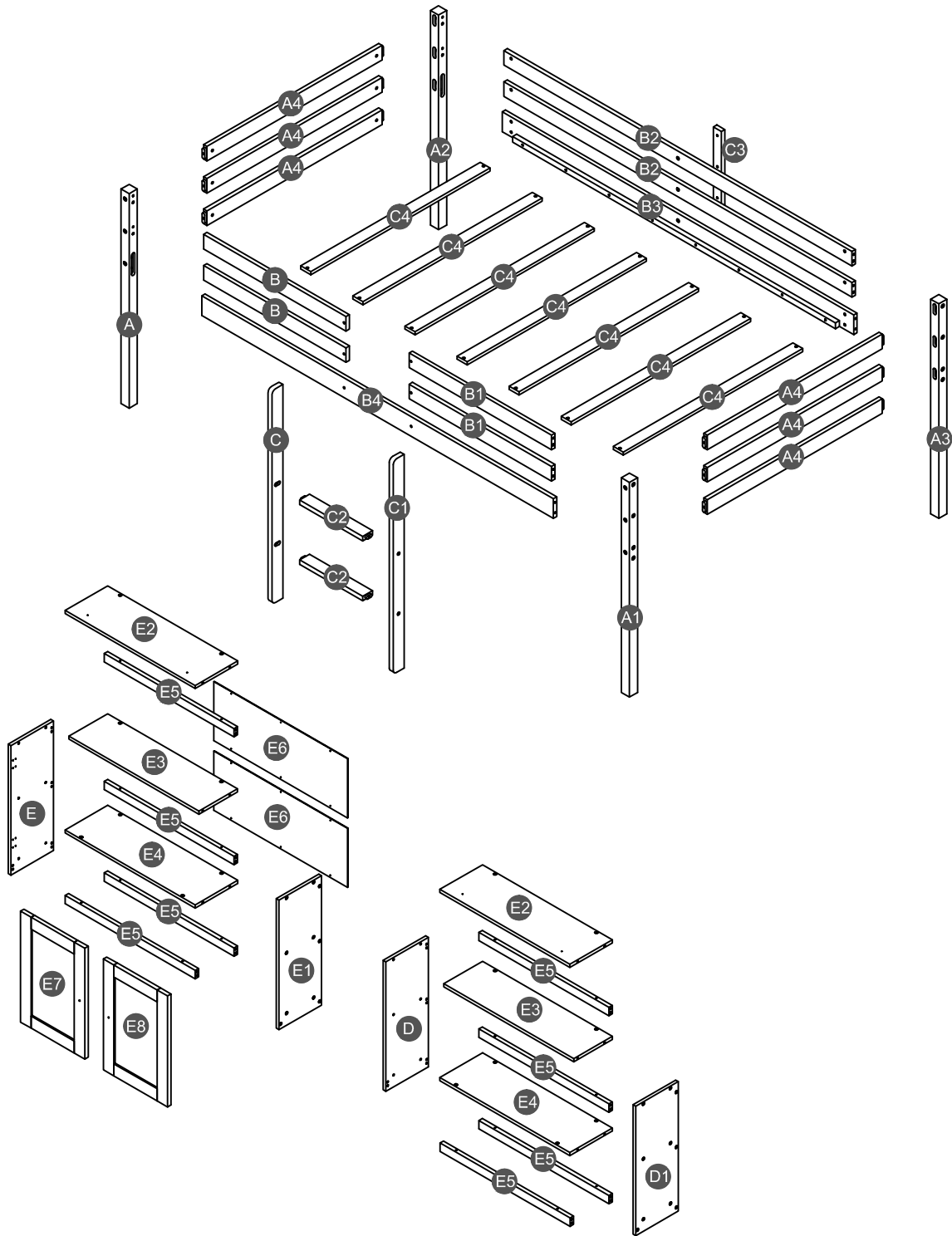


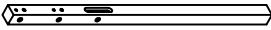
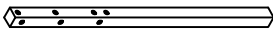
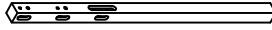
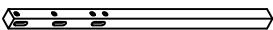
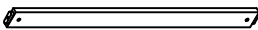

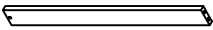


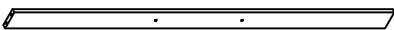
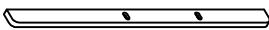

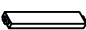
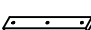

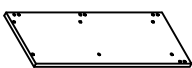
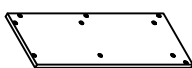
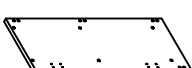
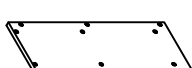
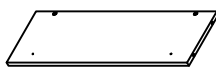
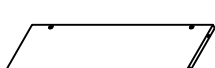
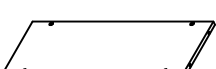
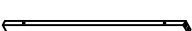
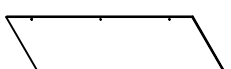
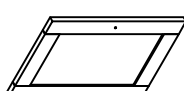
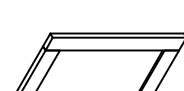
ASSEMBLY INSTRUCTIONS



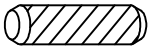
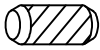
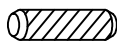

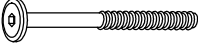
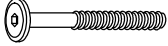








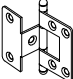










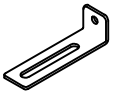

EXPLODED DRAWING



Part list

<p>A</p>  <p>Leg (Left Front) - 1pc</p>	<p>A1</p>  <p>Leg (Right Front) - 1pc</p>	<p>A2</p>  <p>Leg (Left Back) - 1pc</p>
<p>A3</p>  <p>Leg (Right Back) - 1pc</p>	<p>A4</p>  <p>Horizontal bar HB/FB - 6pcs</p>	<p>B</p>  <p>Guard rail (left) - 2pcs</p>
<p>B1</p>  <p>Guard rail (right) - 2pcs</p>	<p>B2</p>  <p>Long guard rail (back) - 2pcs</p>	<p>B3</p>  <p>Side rail (back) - 1pc</p>
<p>B4</p>  <p>Side rail (front) - 1pc</p>	<p>C</p>  <p>Ladder (left) - 1pc</p>	<p>C1</p>  <p>Ladder (right) - 1pc</p>
<p>C2</p>  <p>Step ladder - 2pcs</p>	<p>C3</p>  <p>Vertical guard rail (back) - 1pc</p>	<p>C4</p>  <p>Slats - 7pcs</p>
<p>D</p>  <p>Side panel (left) - 1pc</p>	<p>D1</p>  <p>Side panel (right) - 1pc</p>	<p>E</p>  <p>Side panel (left) - 1pc</p>
<p>E1</p>  <p>Side panel (right) - 1pc</p>	<p>E2</p>  <p>Top panel - 2pcs</p>	<p>E3</p>  <p>Shelf panel - 2pcs</p>
<p>E4</p>  <p>Bottom panel - 2pcs</p>	<p>E5</p>  <p>Horizontal bar - 8pcs</p>	<p>E6</p>  <p>Back panel - 2pcs</p>
<p>E7</p>  <p>Door (left) - 1pc</p>	<p>E8</p>  <p>Door (right) - 1pc</p>	

Hardware List

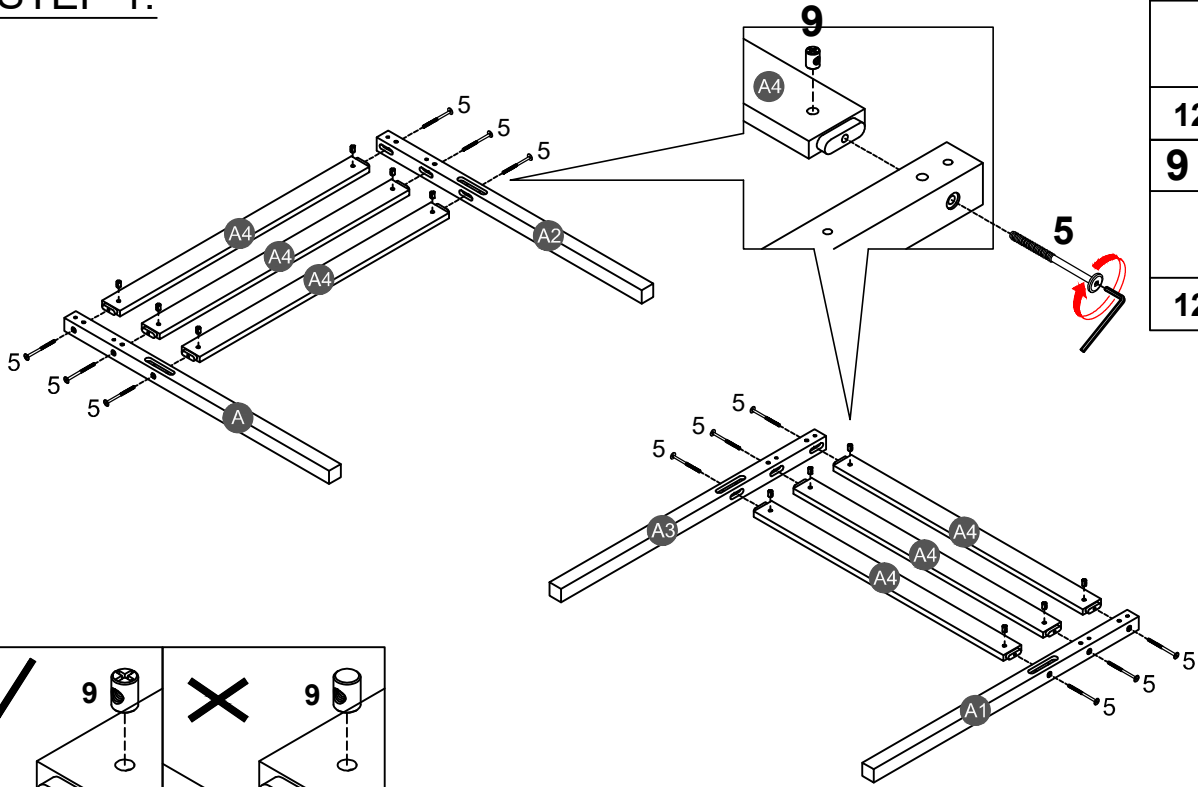
1	 Ø10*40mm Wood dowel (8pcs)	2	 Ø10*20mm Wood dowel (1pc)	3	 Ø8*30mm Wood dowel (16pcs)
4	 (Ø15)1/4"*100mm Hex-Head bolts (16pcs)	5	 (Ø15)1/4"*80mm Hex-Head bolts (12pcs)	6	 (Ø12)1/4"*60mm Hex-Head bolts (44pcs)
7	 (Ø12)1/4"*40mm Hex-Head bolts (6pcs)	8	 (Ø12)1/4"*30mm Hex-Head bolts (3pcs)	9	 1/4"*15 (9.5mm) Horizontal-hole bolts(72pcs)
10	 (Ø12)1/4"*40mm Hex-Head bolts (16pcs)	11	 Ø4*30mm Wood screws (20pcs)	12	 Ø3.5*15mm Wood screws (45pcs)
13	 Ø3.5*15mm Wood screws (12pcs)	14	 140*41*21mm Stopper door (1pc)	15	 66*39*28mm (135°) Metal bracket (4pcs)
16	 42*12*1mm Metal magnet (2pcs)	17	 (1/4")4.5*58mm Allen key (1pc)	18	 Ø38*31mm Pine Knob (2pcs)
19	 3/16"*25mm Ph zinc(Knob) (2pcs)	20	 28*28*24*2mm Metal bracket (6pcs)	21	 L1900mm Led light (1pc)
22	 2000mm Adapter and wire strip (1pc)	23	 L124*40*7mm Remote led light (1pc)	24	 22*10*6mm Clamp plastic (1pc)
25	 Ø9*32mm Plastic anchor (2pcs)	26	 58*16*16*(1.5mm) Metal bracket (2pcs)	27	 Ø4*38mm Screws (2pcs)

ASSEMBLY TOOLS REQUIRED (NOT INCLUDED)

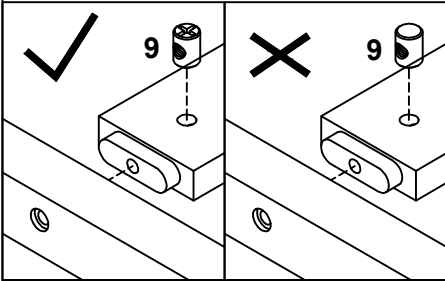


PLEASE BE CAREFUL DO NOT DAMAGE THE HOLE POSITION WHEN YOU USE POWER TOOLS !

STEP 1:

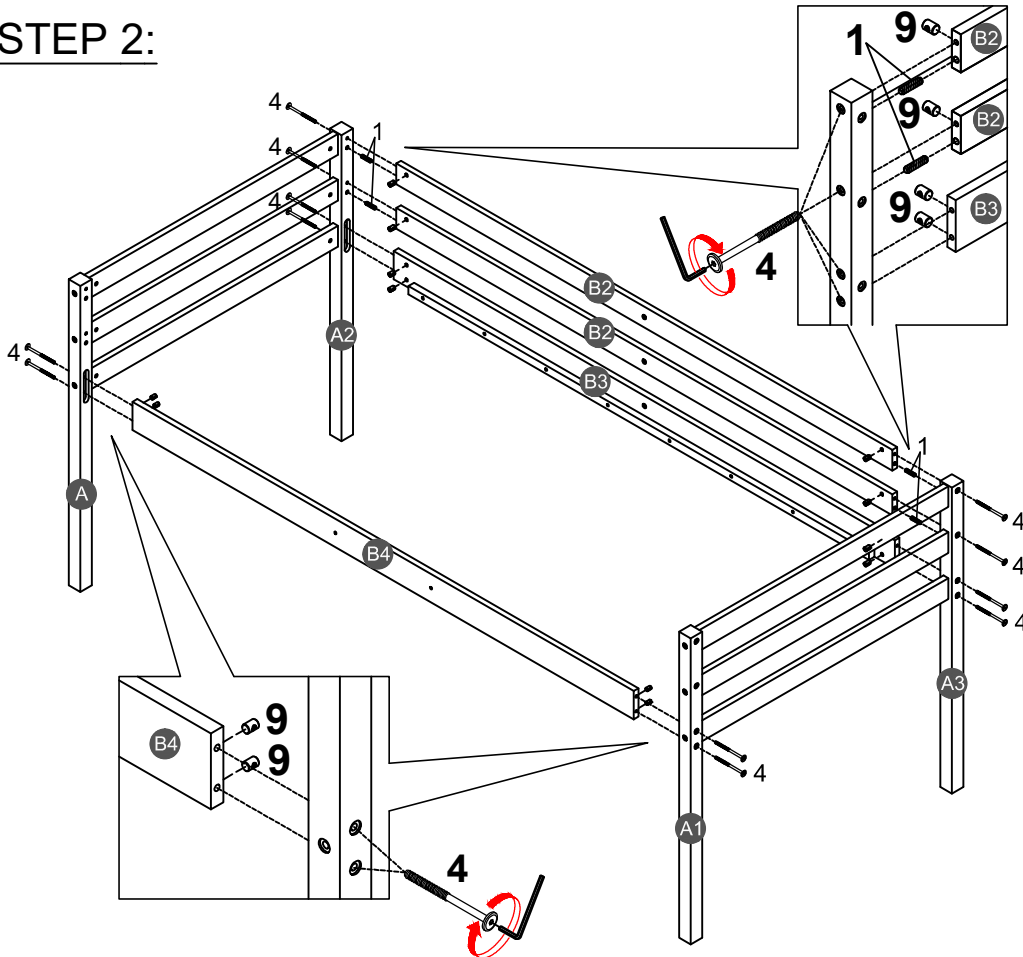


5	
12PCS	
9	
12PCS	



Note: Part 9 will face up with the "x" mark on it, otherwise it cannot be tightened

STEP 2:



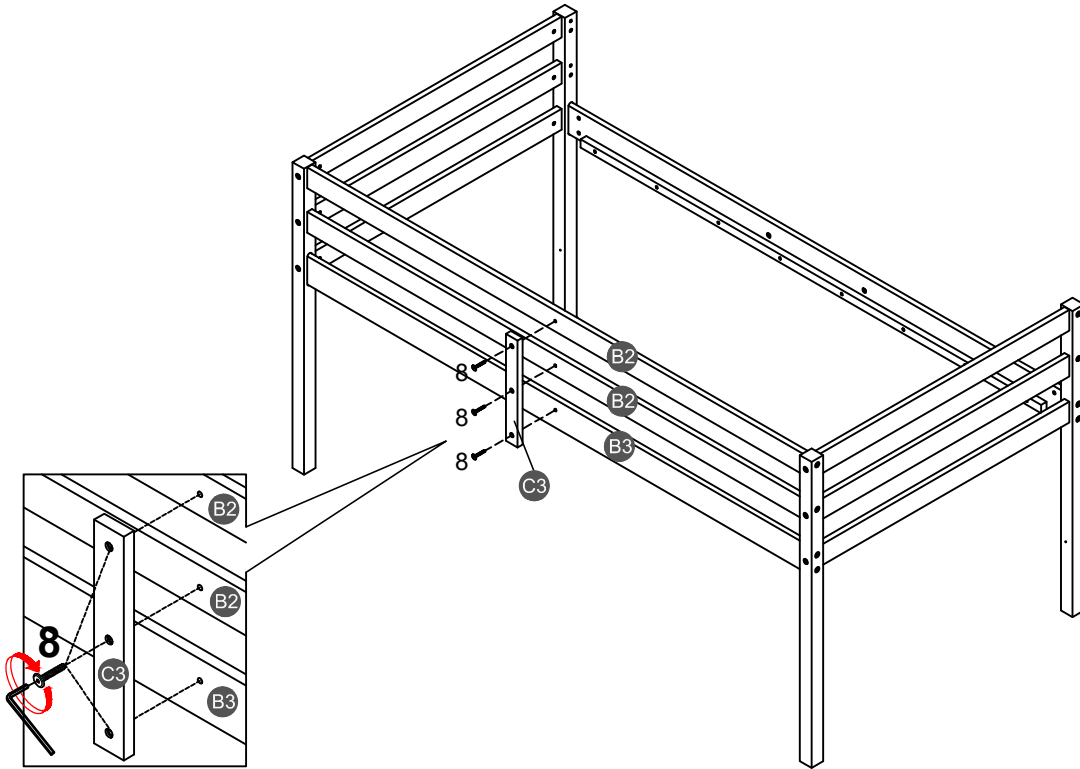
9	
12PCS	
4	
12PCS	
1	
4PCS	

STEP 3:

8



3PCS



STEP 4:

6

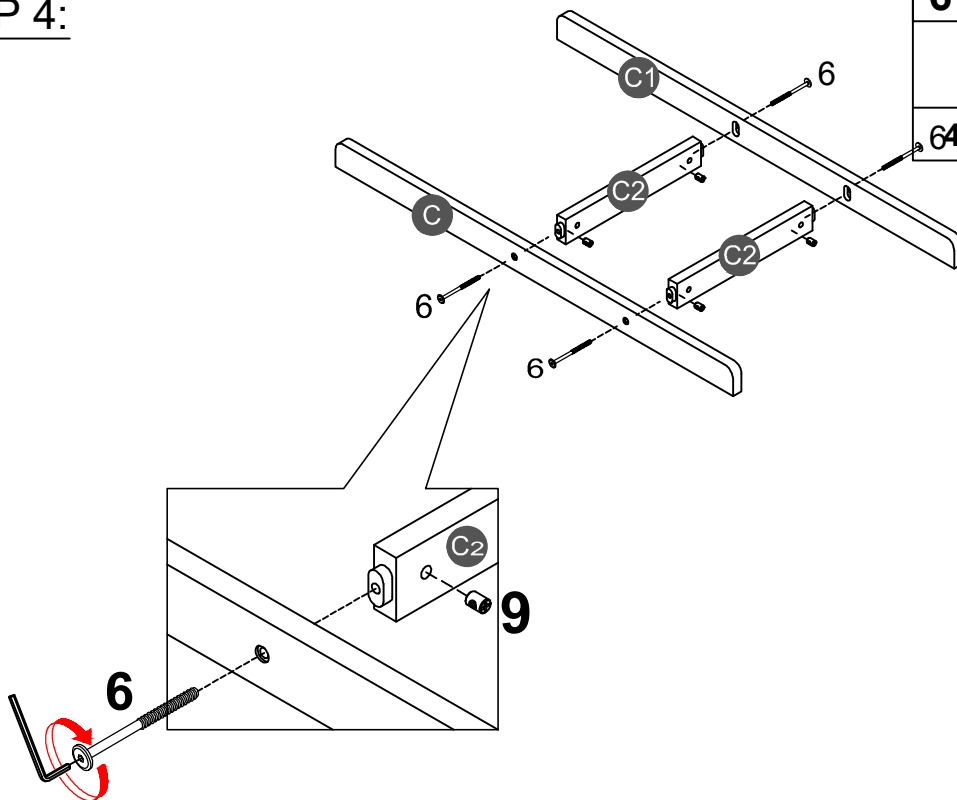


64PCS

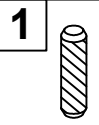
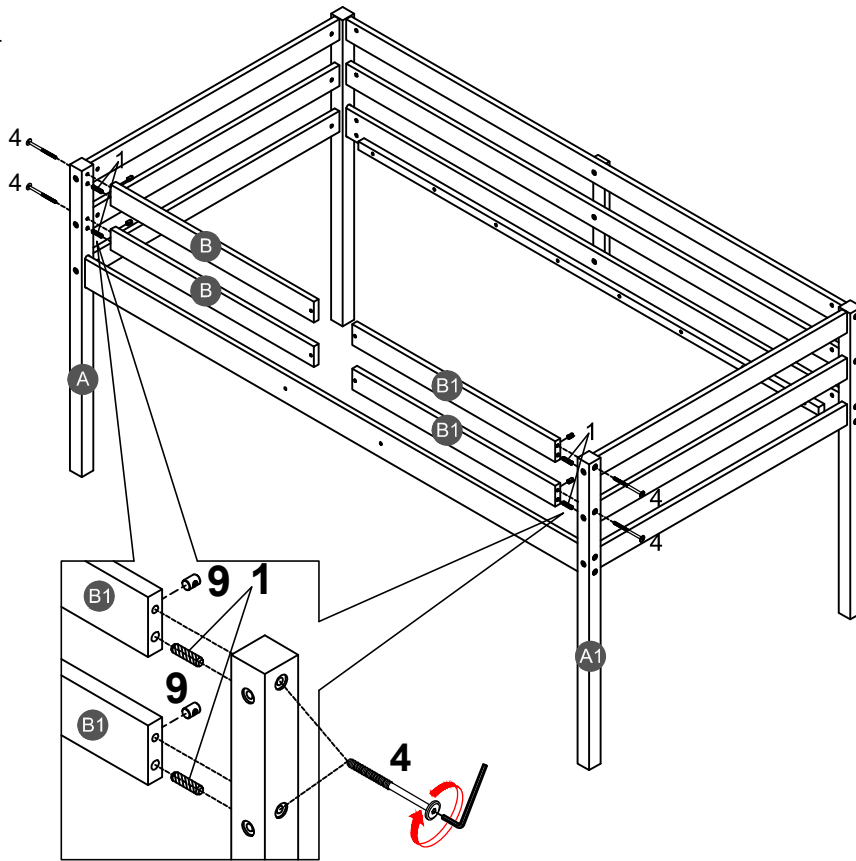
9



4PCS



STEP 5:



4PCS

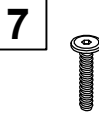
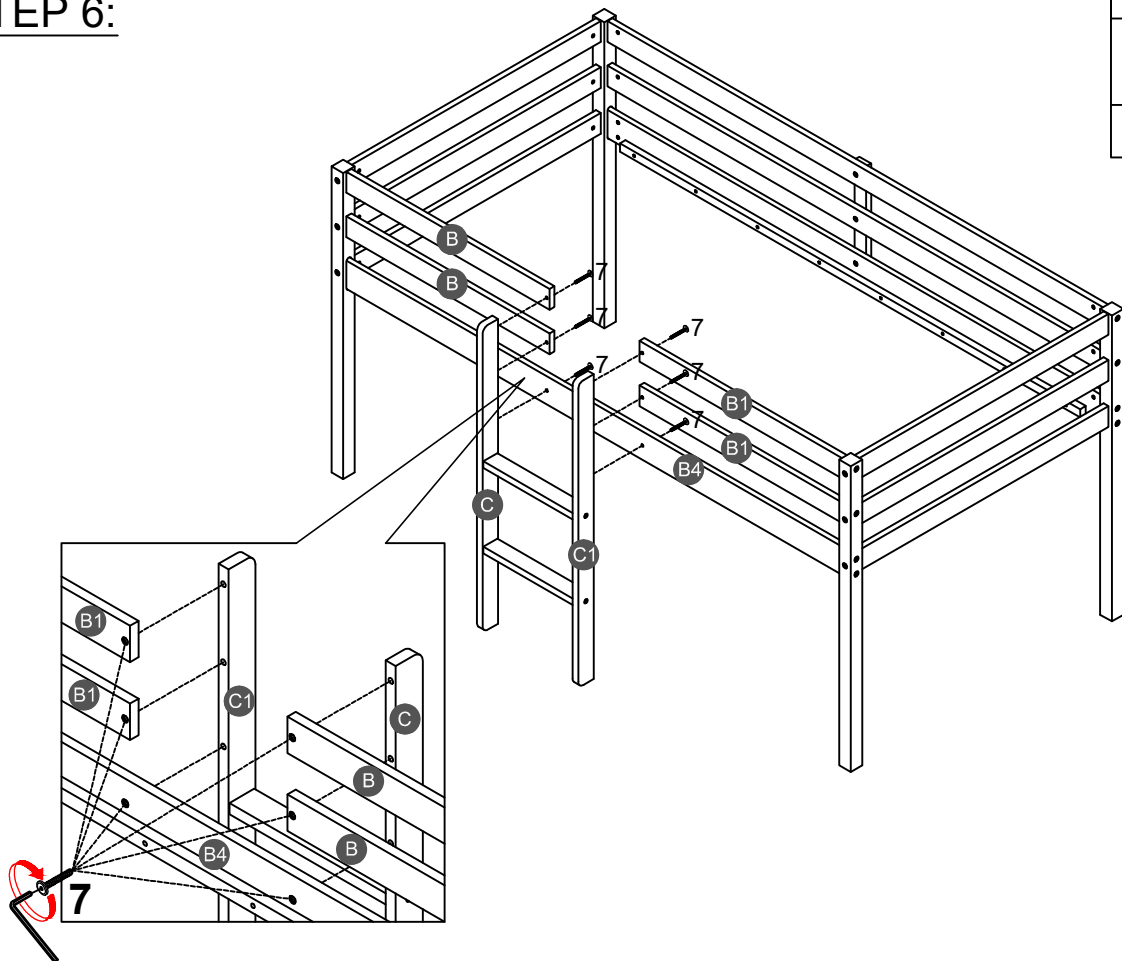


4PCS



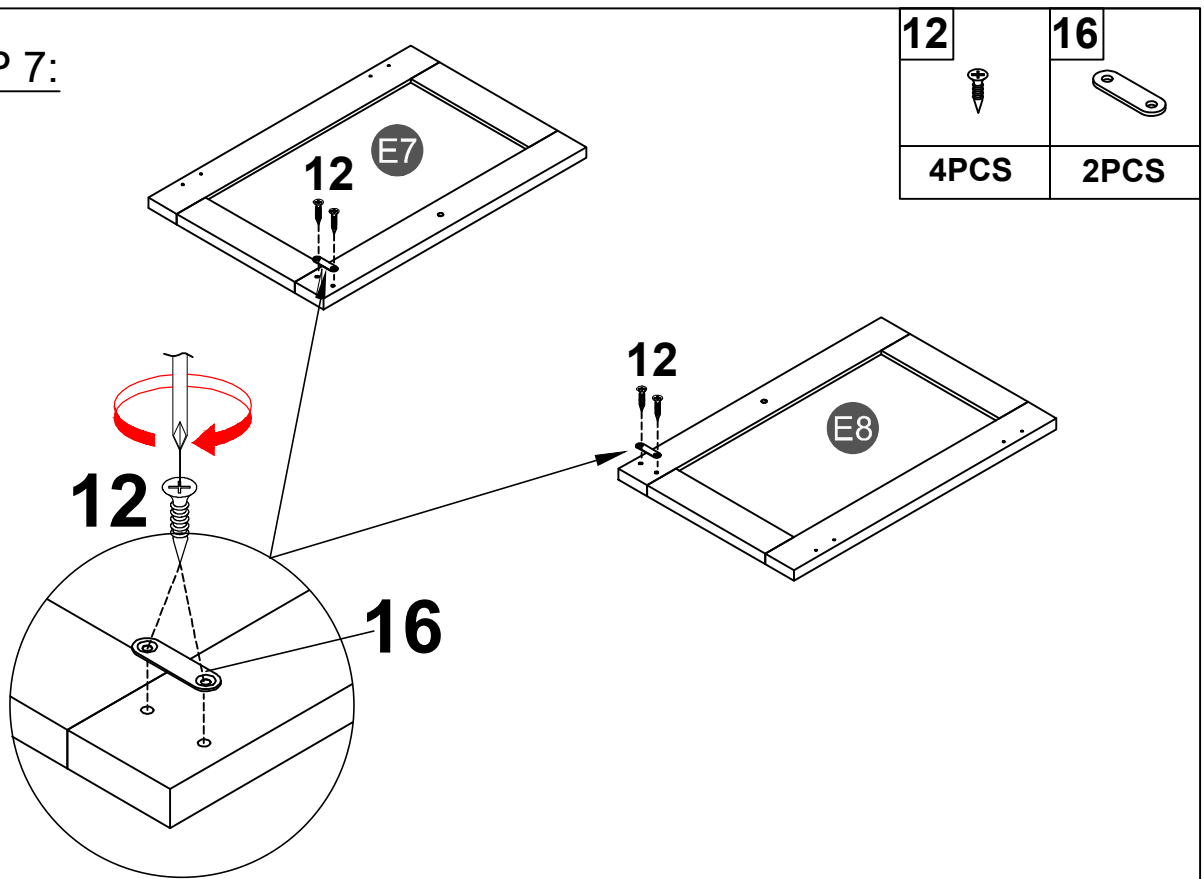
4PCS

STEP 6:

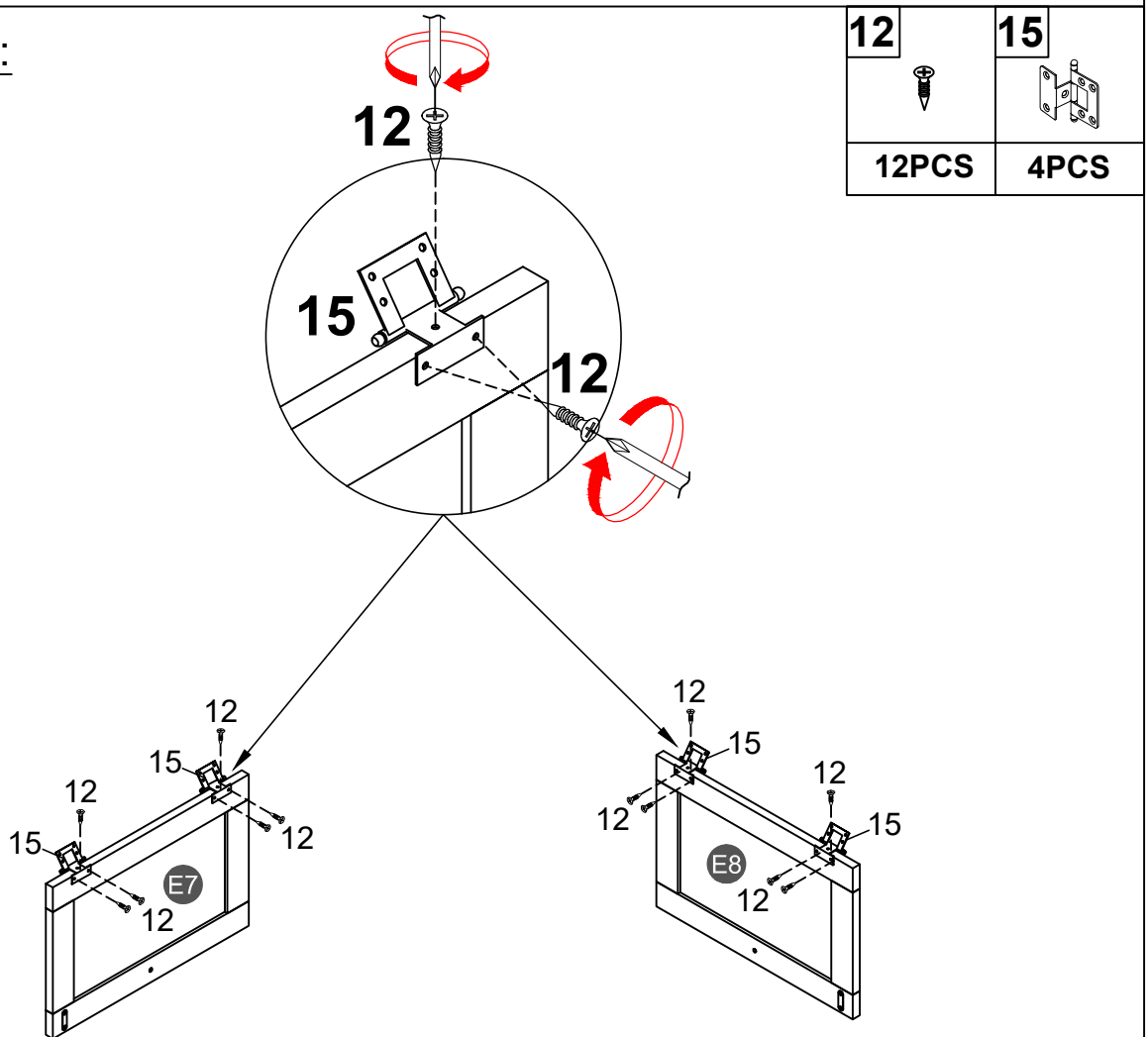


6PCS

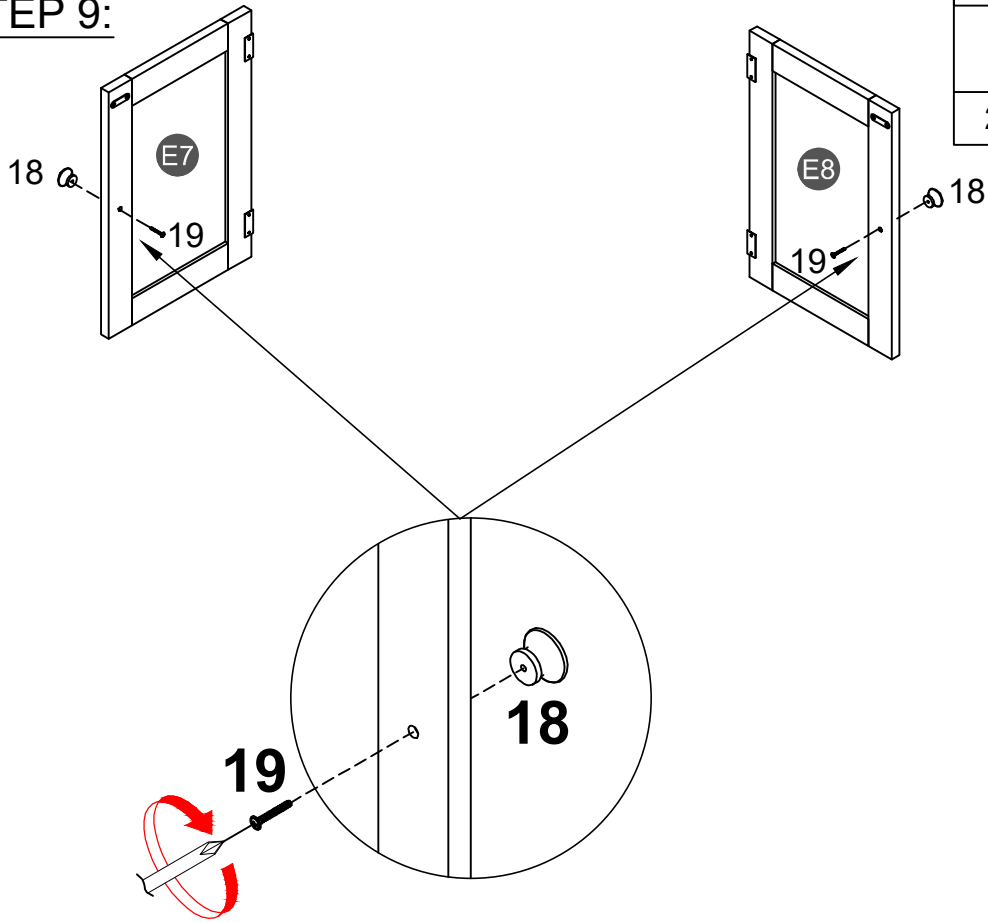
STEP 7:





STEP 8:

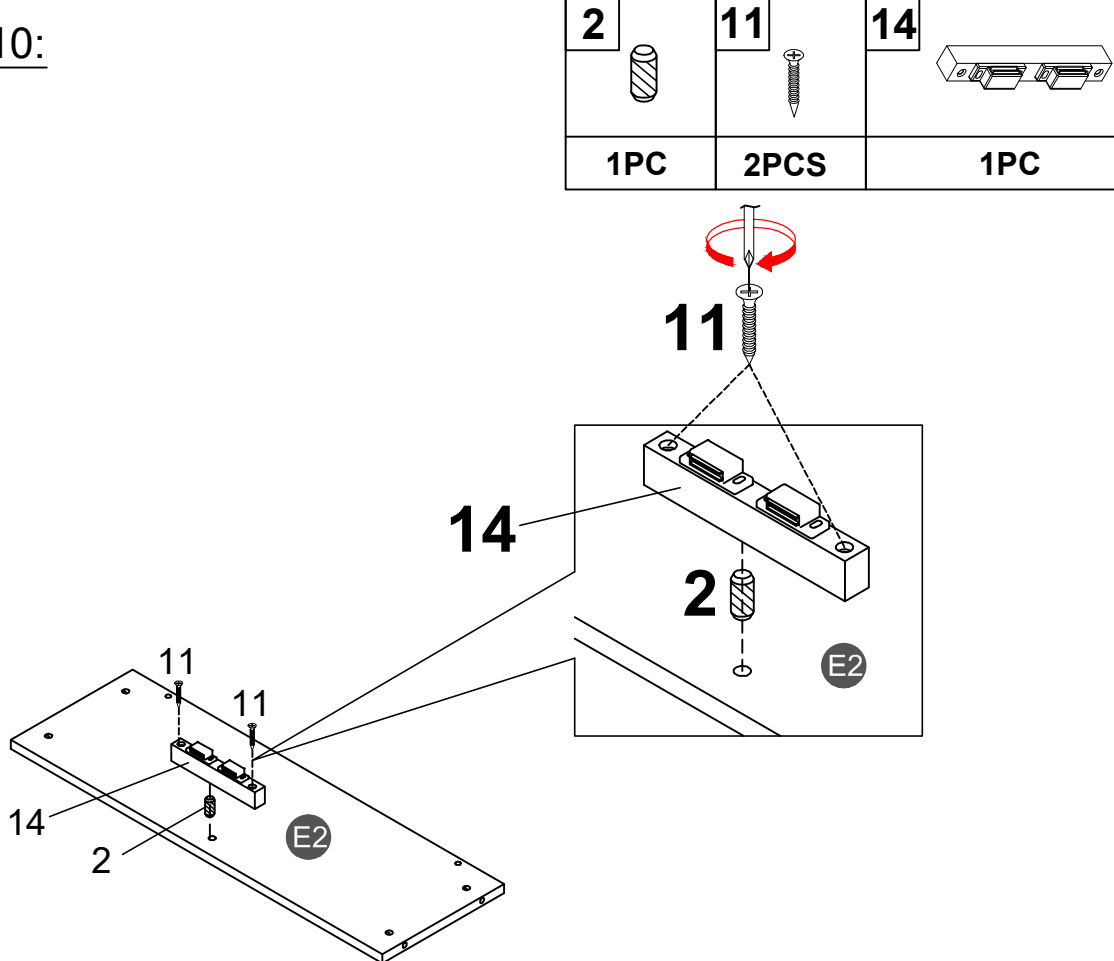




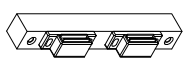
STEP 9:



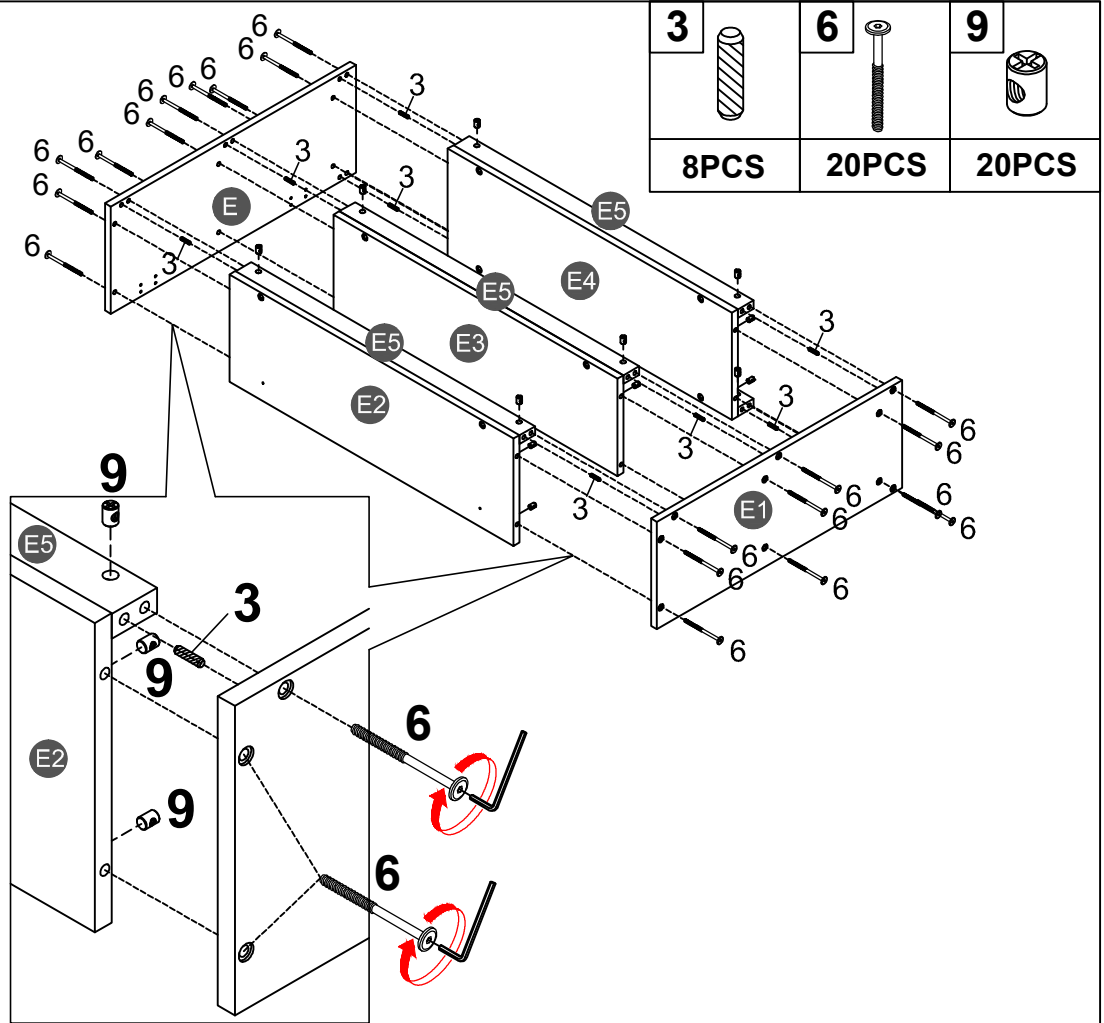
18	19
	
2PCS	2PCS

STEP 10:

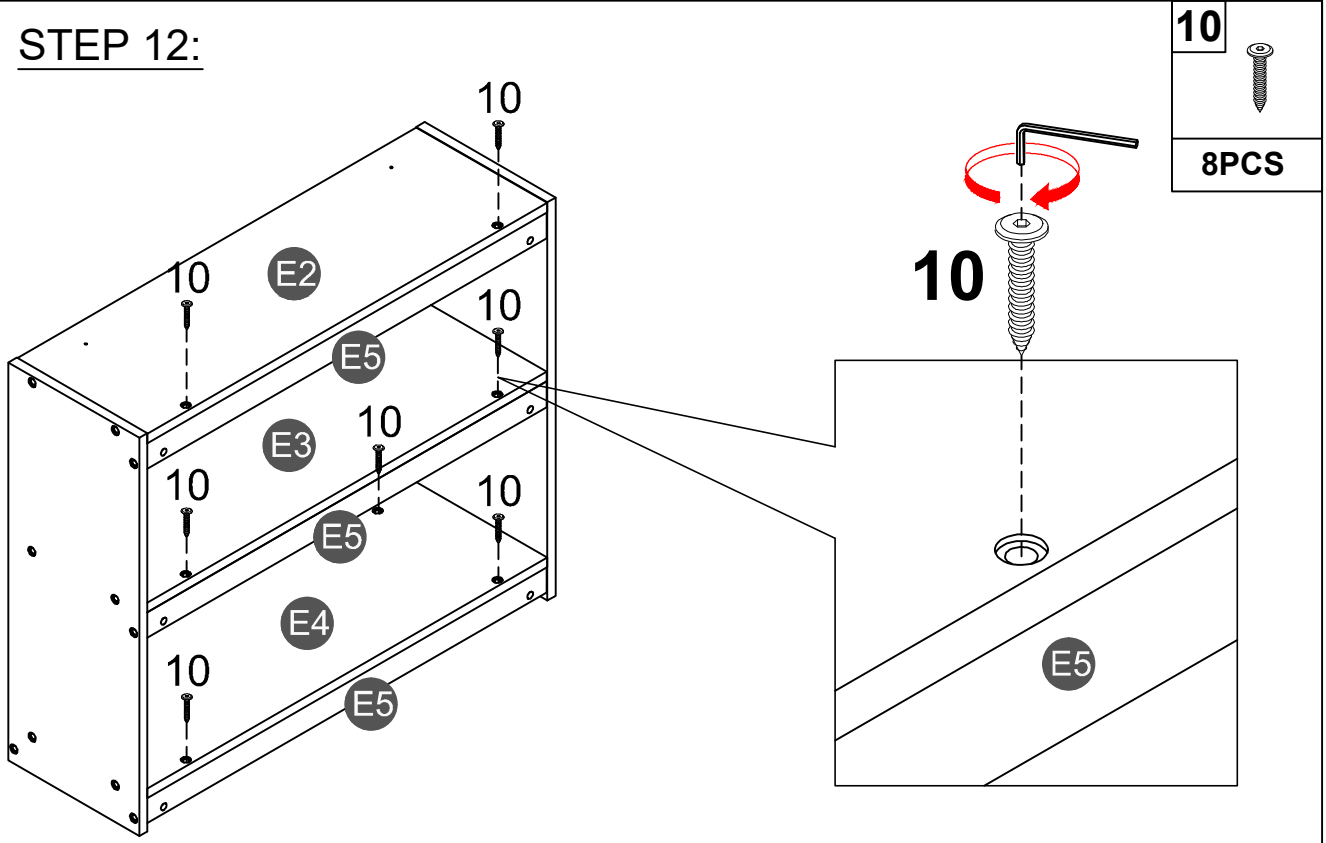


2	11	14
		
1PC	2PCS	1PC

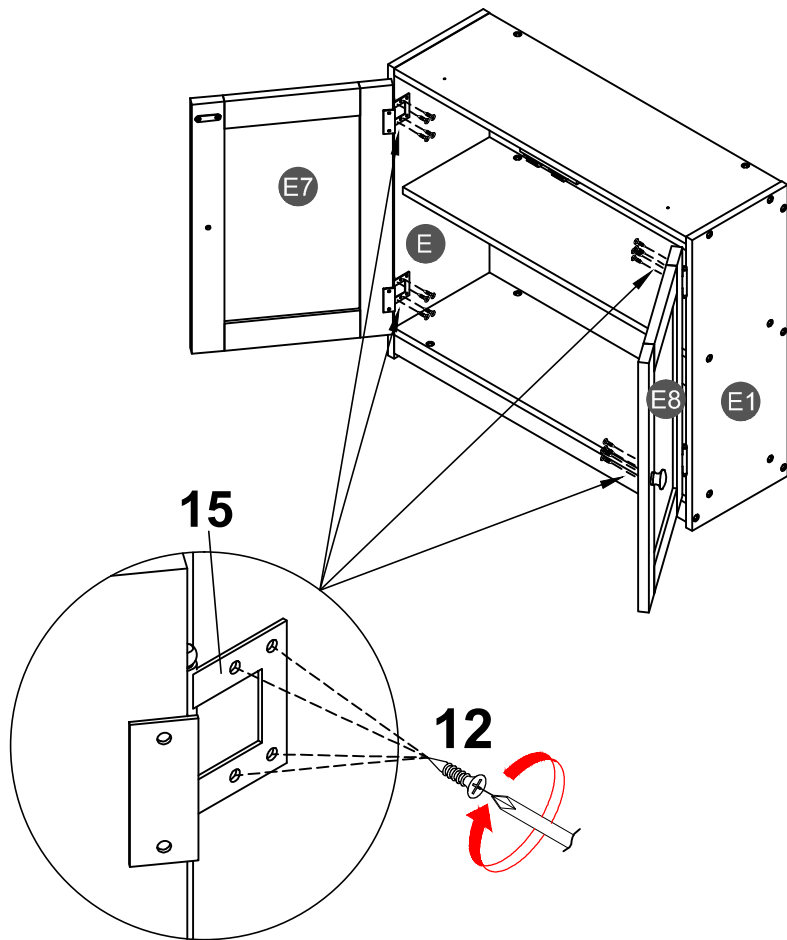
STEP 11:



STEP 12:



STEP 13:

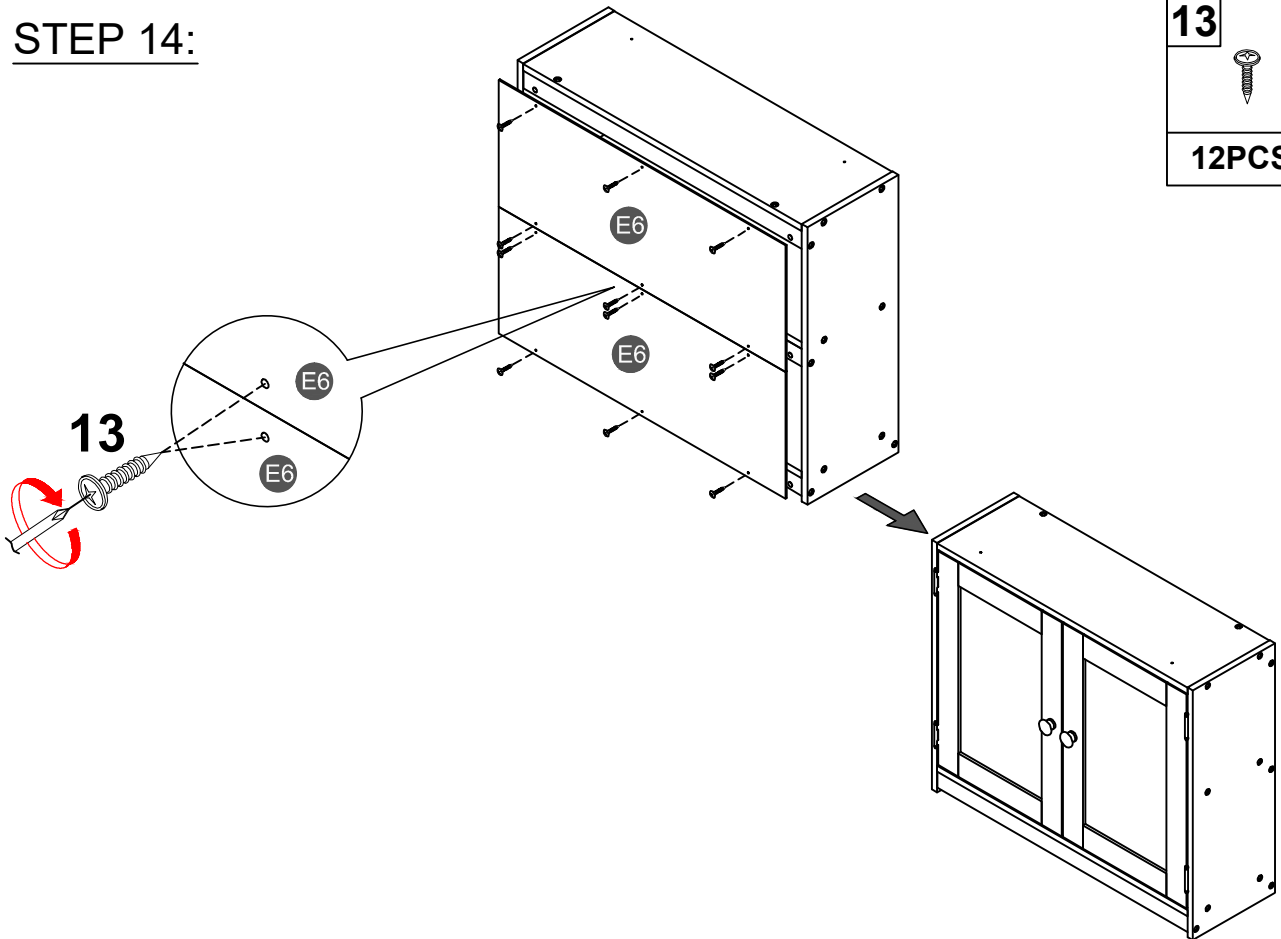


12



16PCS

STEP 14:

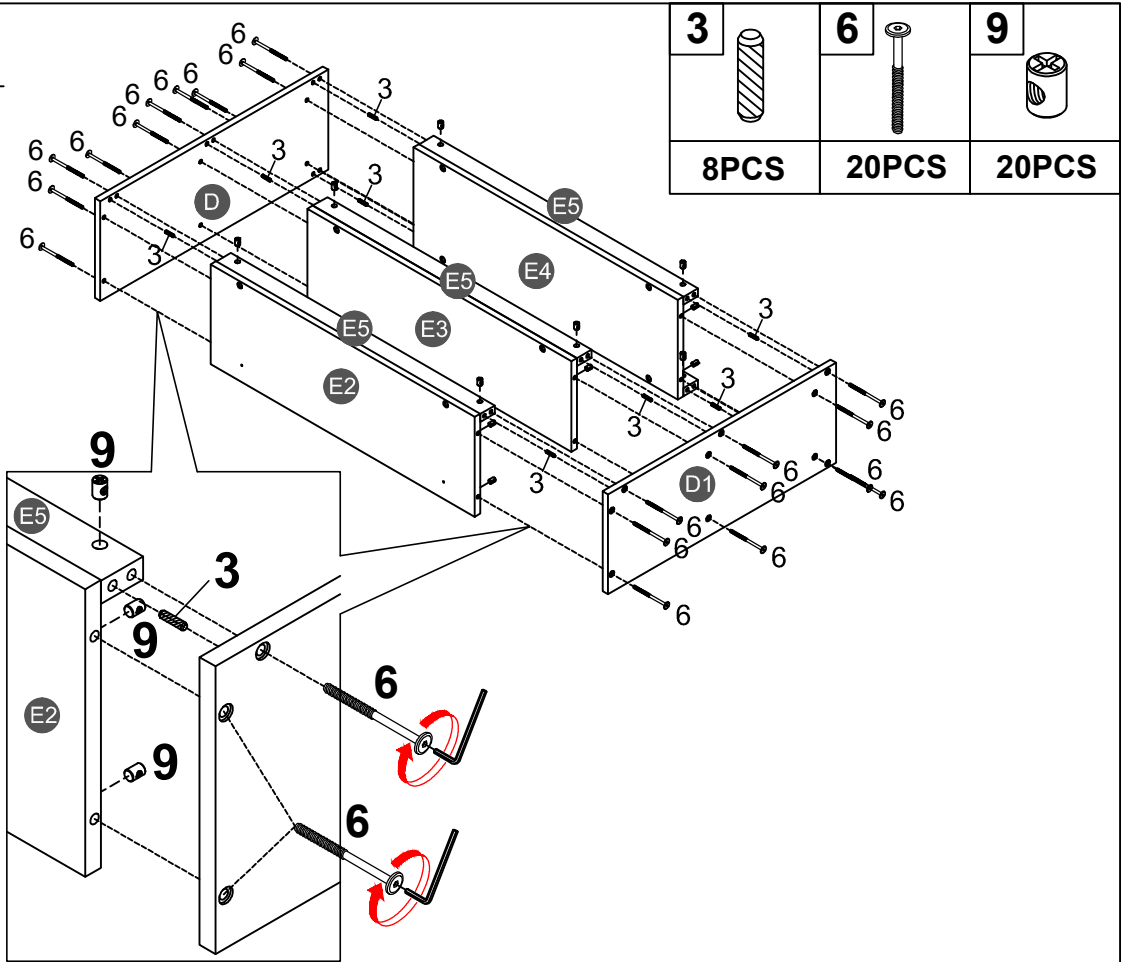


13

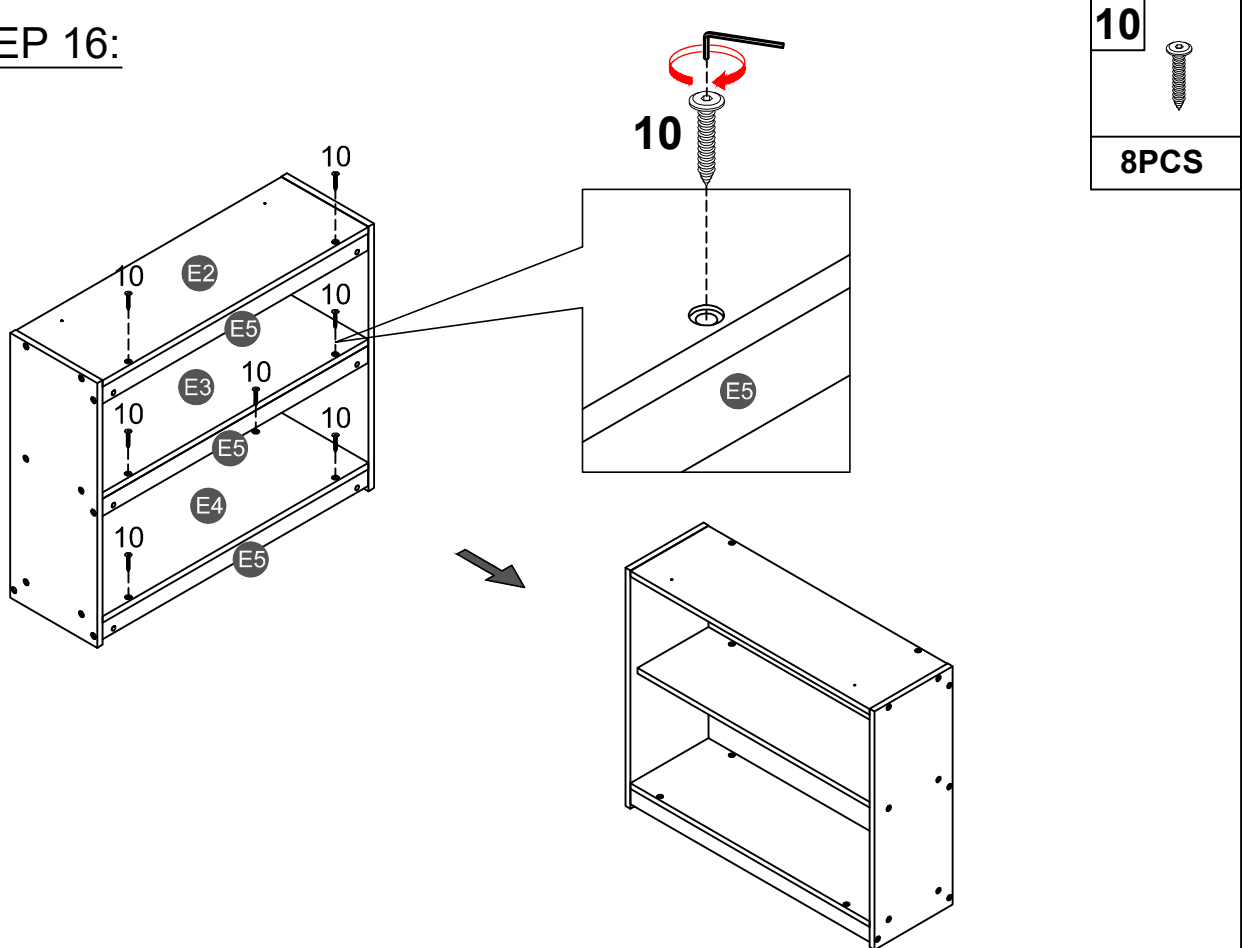


12PCS


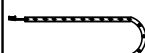



STEP 15:

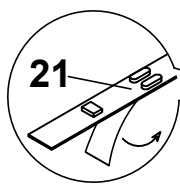
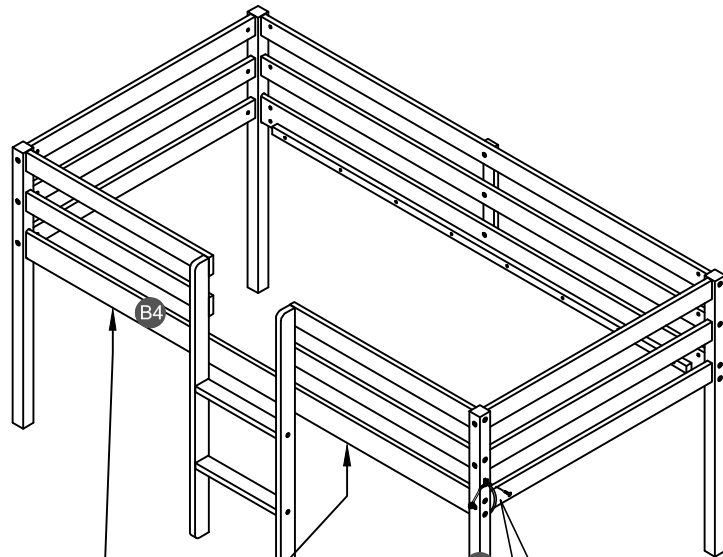


STEP 16:

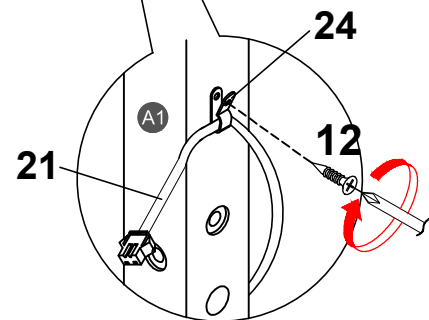


STEP 17:

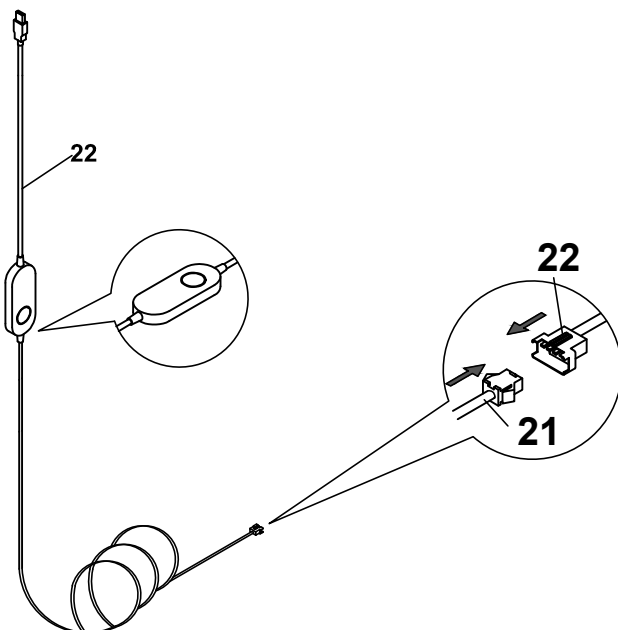
12	21	22	23	24
				
1PC	1PC	1PC	1PC	1PC



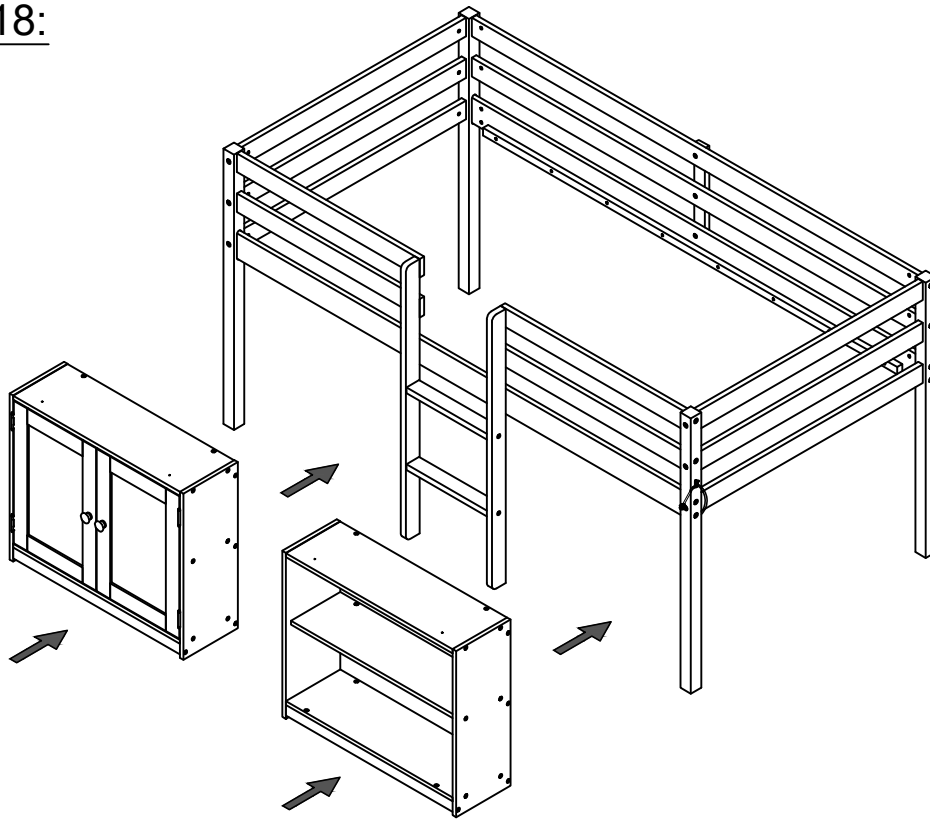
Peel off the tape



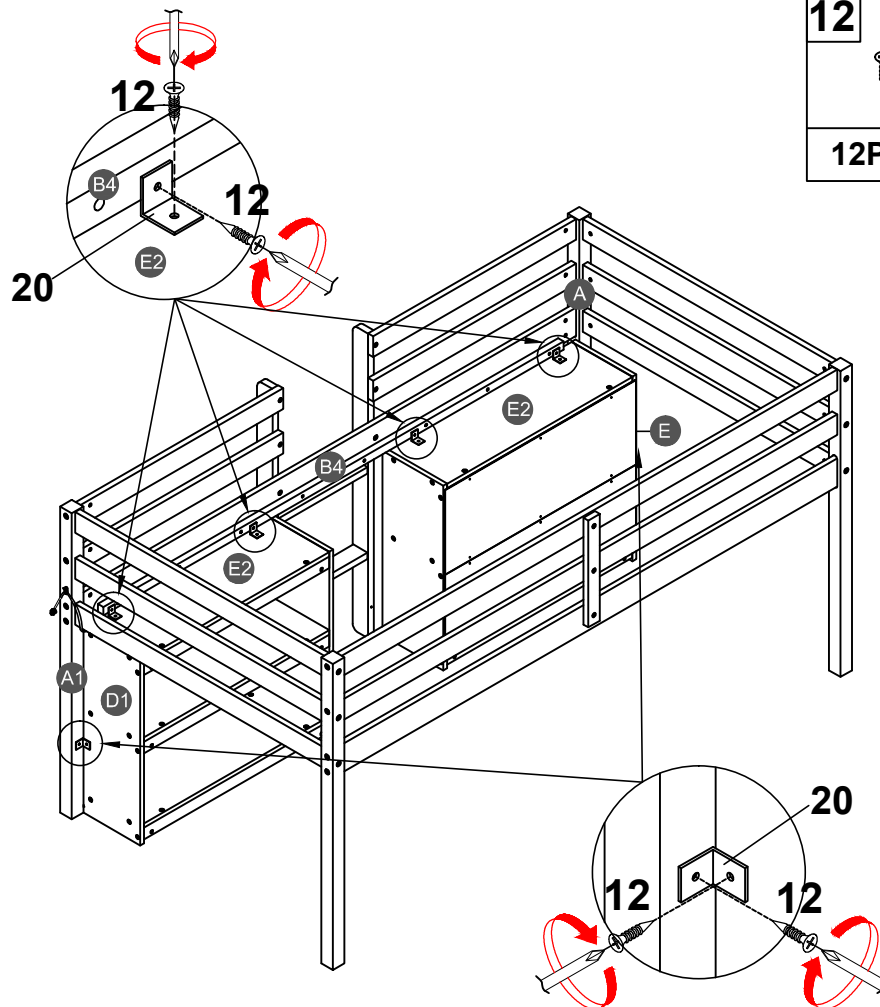
Secure the LED LIGHT


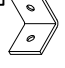


STEP 18:



STEP 19:



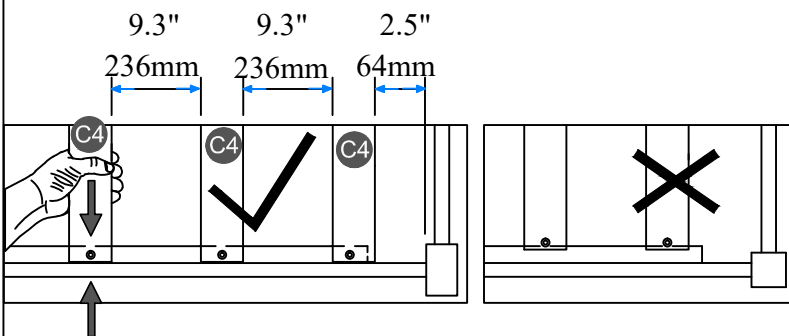
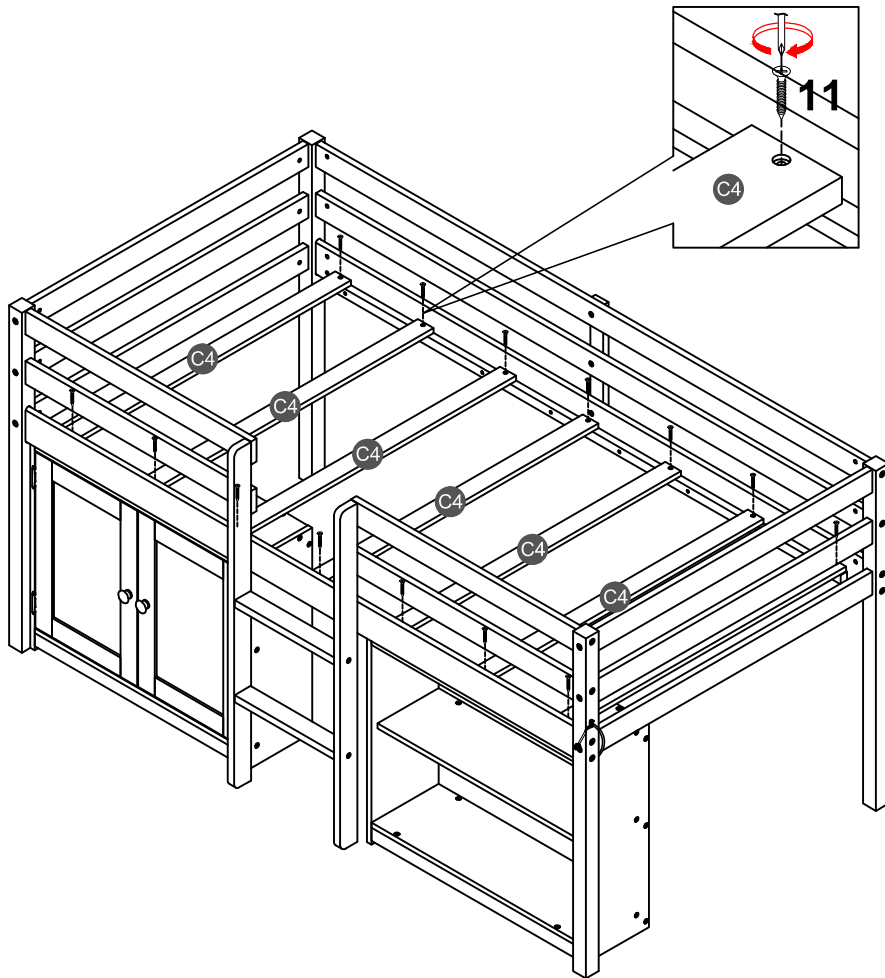
12	20
	
12PCS	6PCS

STEP 20:

11





14PCS

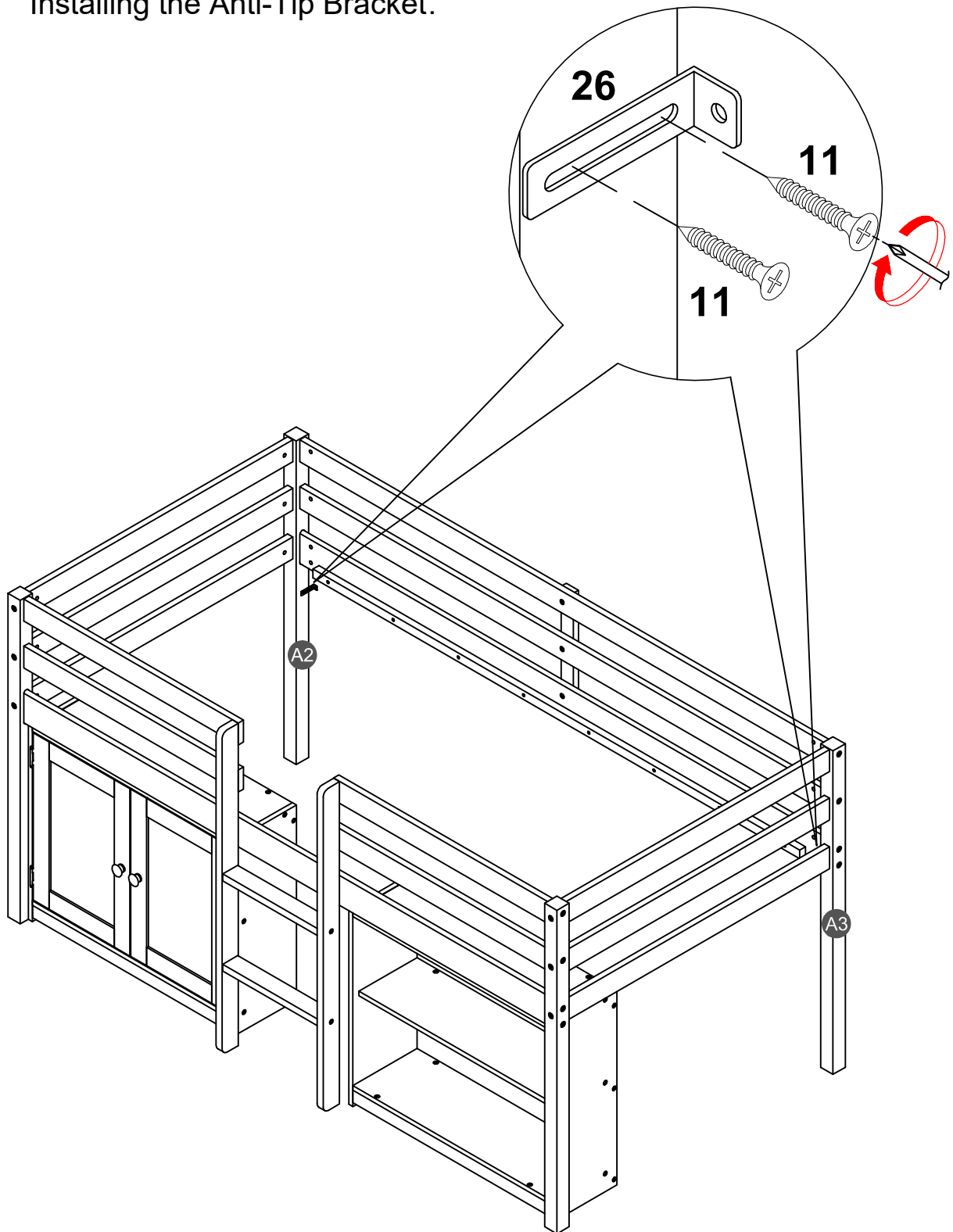


NOTE: Please make sure the bed slats close to the side rail before locking the screws to avoid breakage. This step is required for both the left and right sides. Moreover, please do not lock the screws of the bed slats at the outermost edge to avoid damaging.

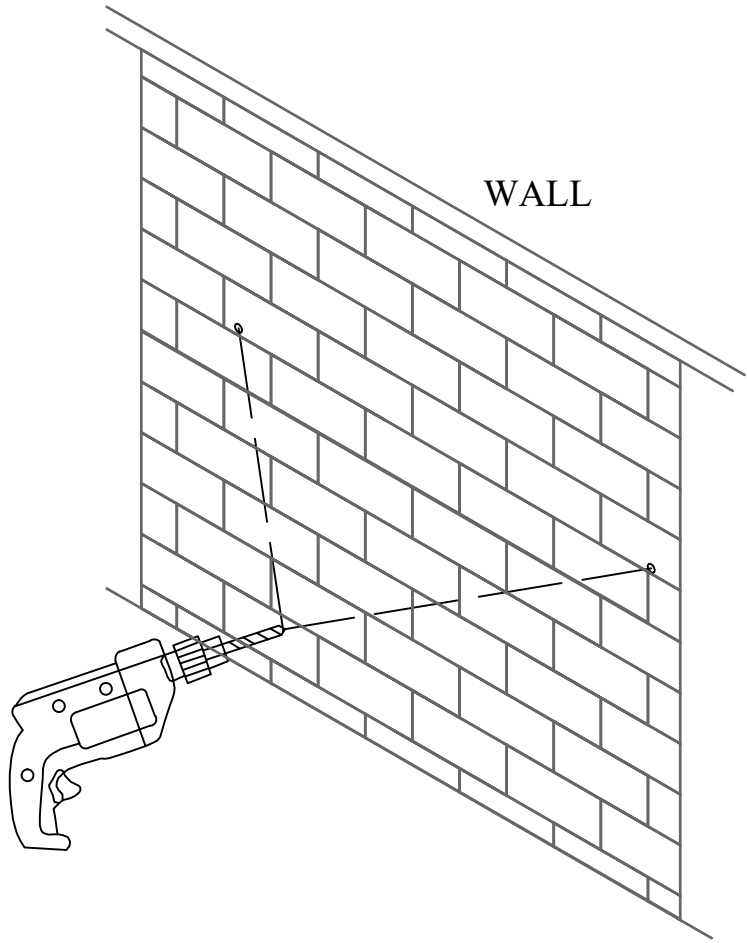
STEP A:

11 	26 
4PCS	2PCS

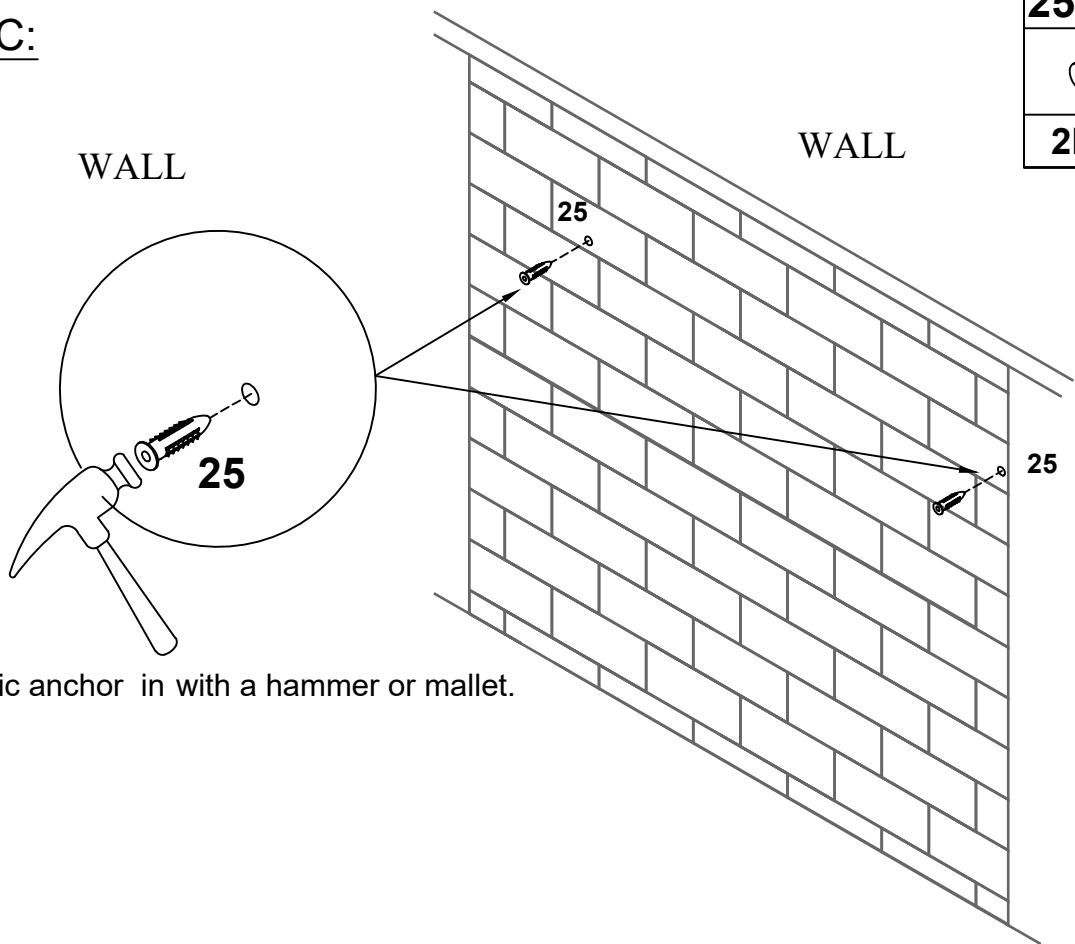
Installing the Anti-Tip Bracket.



STEP B:



STEP C:



Tap plastic anchor in with a hammer or mallet.

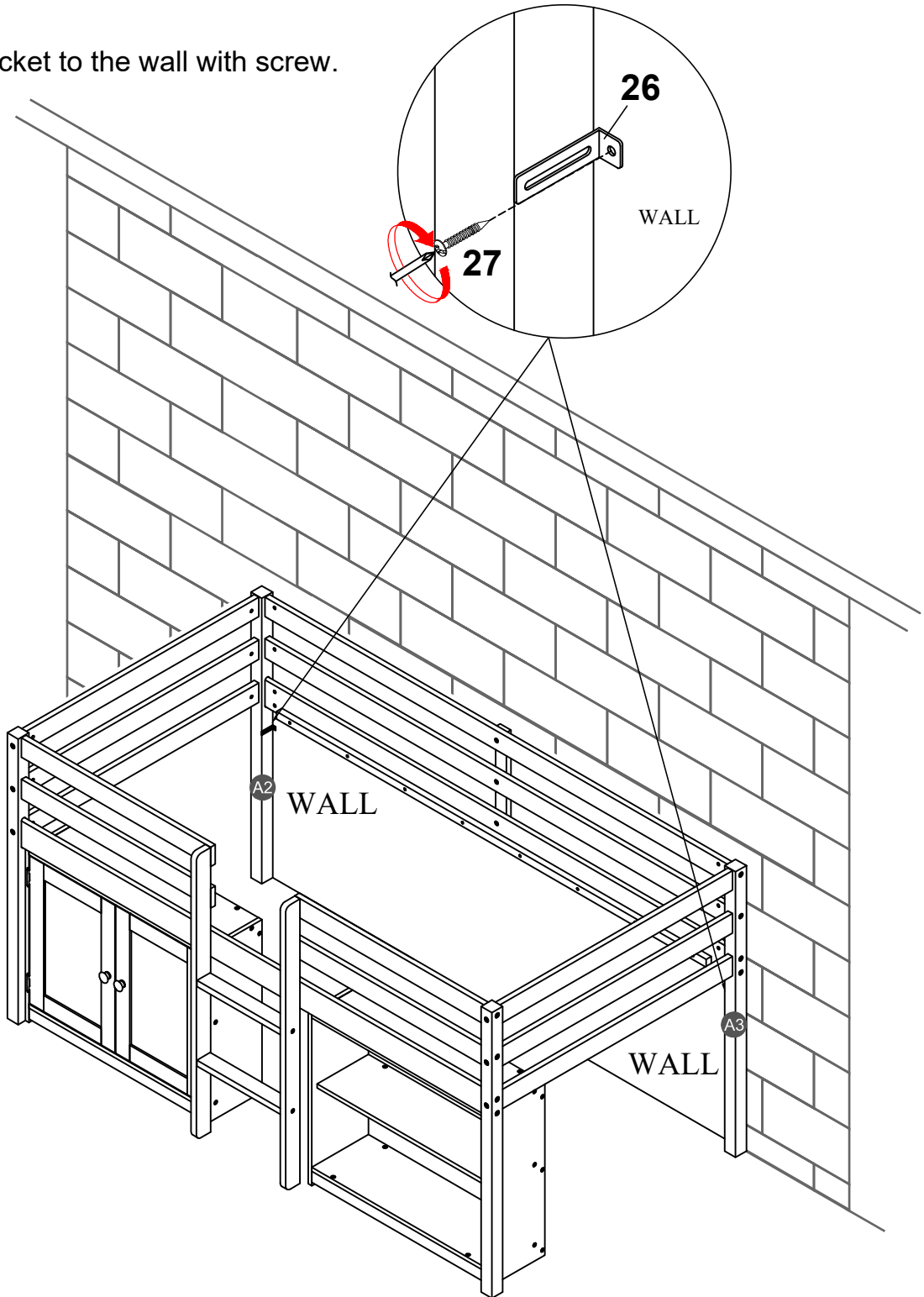
STEP D:

27



2PCS

Fix the bracket to the wall with screw.



AFTER-SALE SERVICE

If you have any suggestions for our products or find that the products have quality problems, please contact us first, our after-sales team will reply you within 24 hours, and we will do our best to give you solutions until you are satisfied.

Guaranteed Customer Service

Your shopping experience is very important to us!
Feel unsatisfied? **Contact us!**
Have any questions? **Contact us!**

Wanna share your experience with our products?
Share your pictures with us.

Any suggestions? **Contact us!**
We gotcha back!