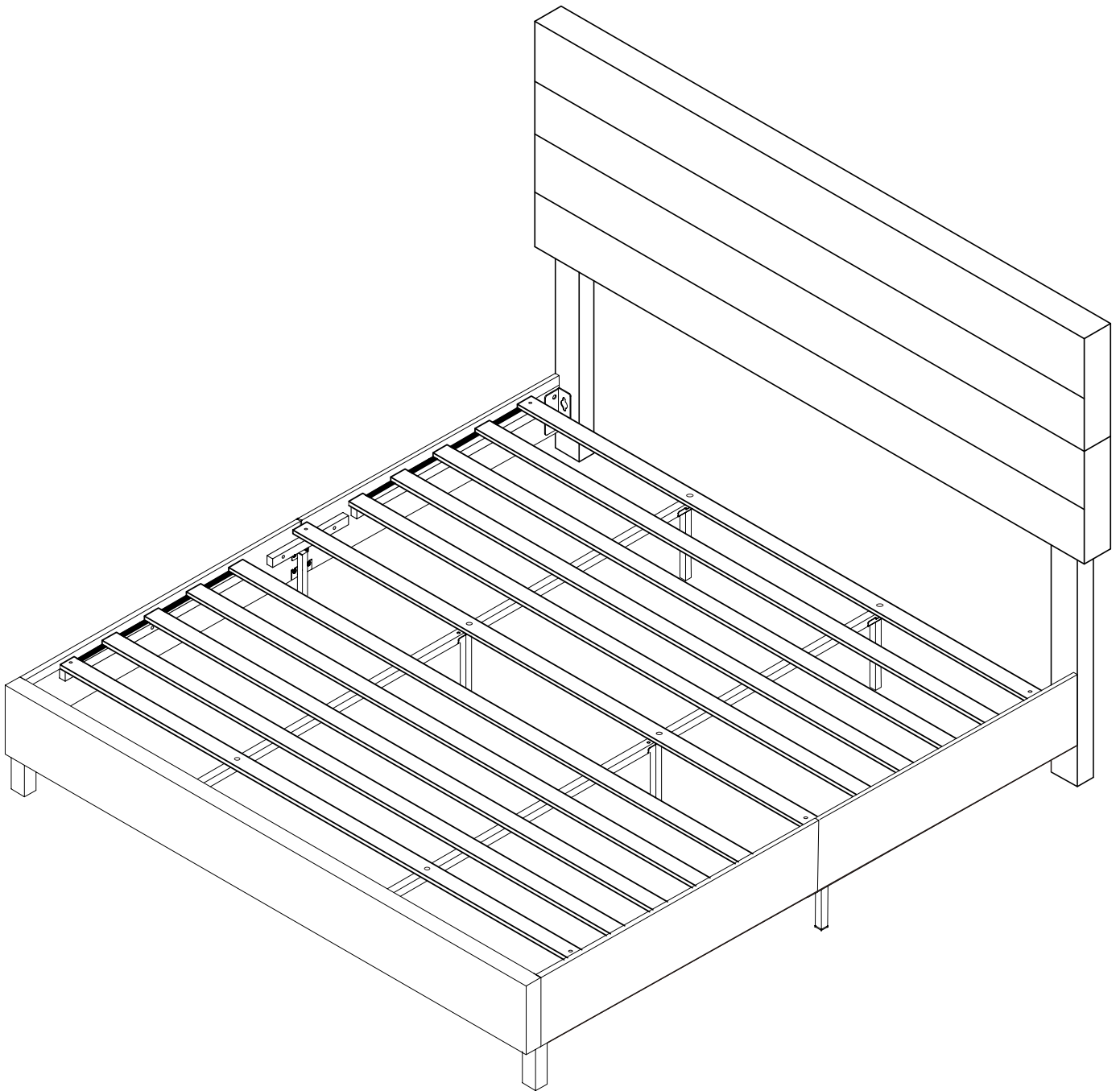


(King) ASSEMBLY INSTRUCTIONS

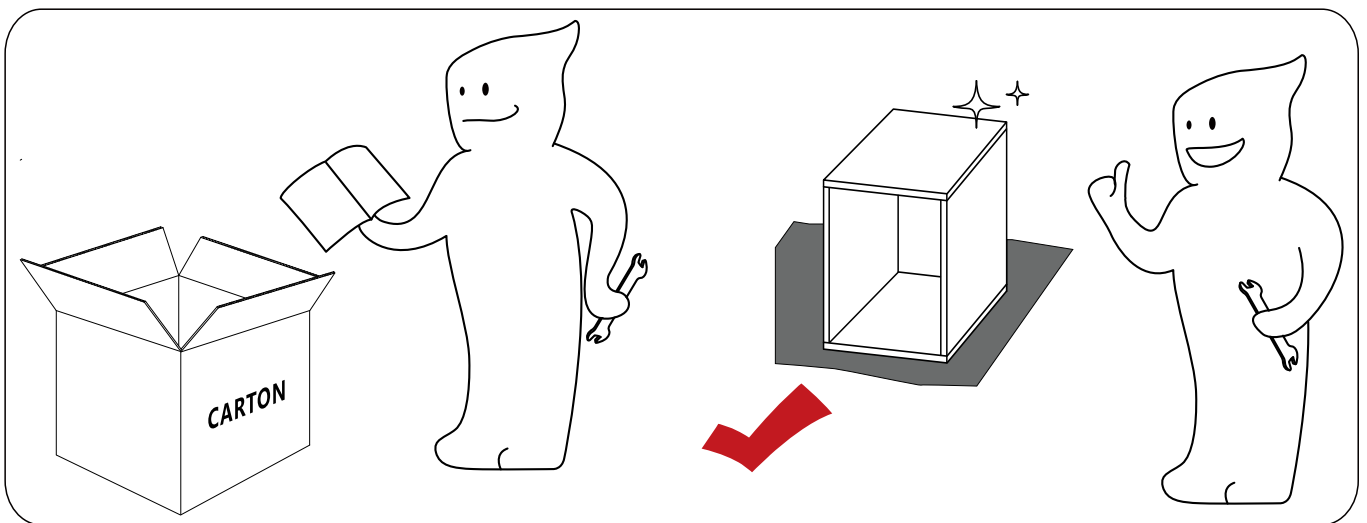
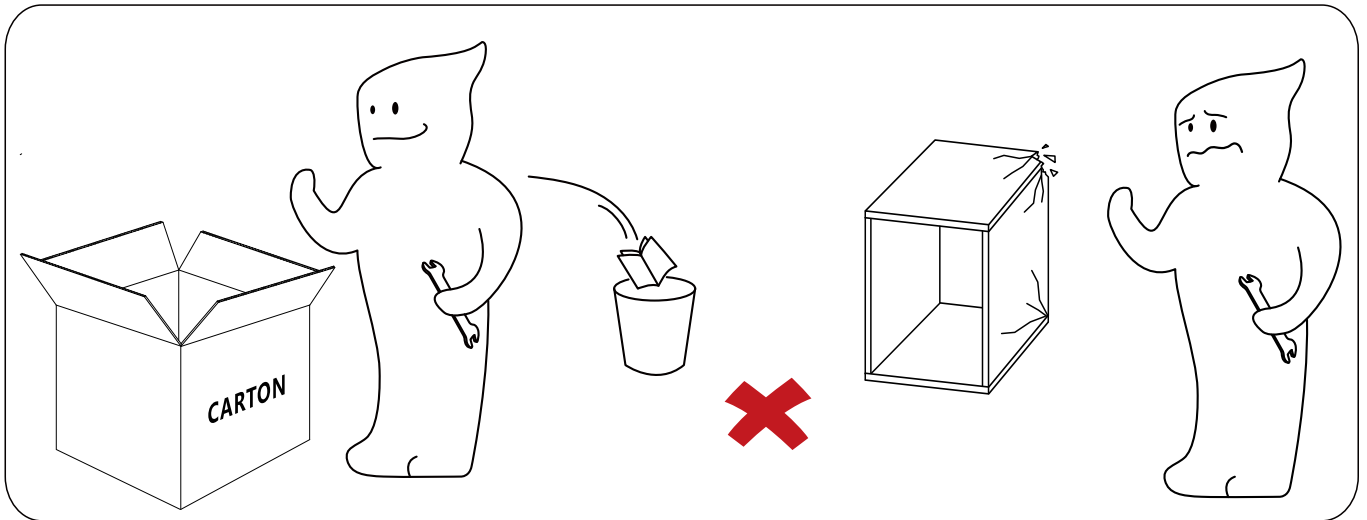


Please check that you have all the parts listed before you start assembling,if you do find that something is missing,do not continue assembly,please contact us immediately.

NOTE:Please do not completely tighten all the hardware until the entire assembly is complete!

! IMPORTANT

Please follow the instruction manuals and use a pad to protect the product during your assembly.



Note:

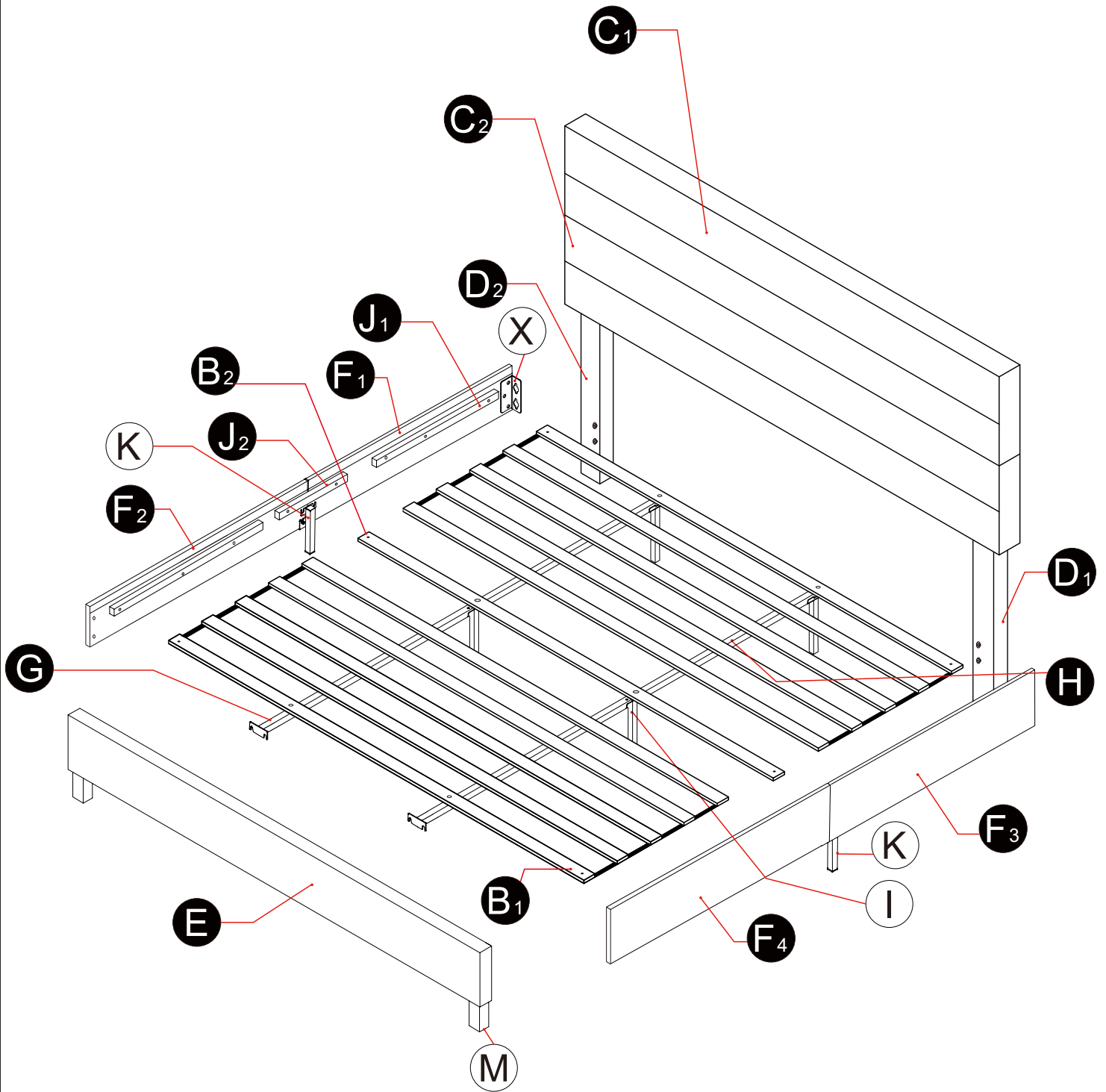
1. Should be assembled on flat ground to keep balance.
2. Before completing the installation, do not tighten the screws.



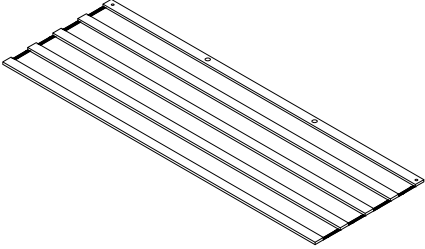
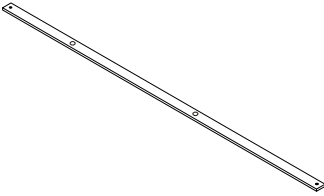
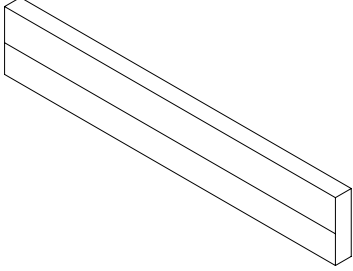
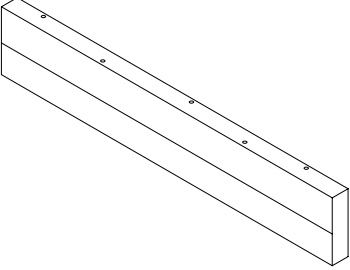


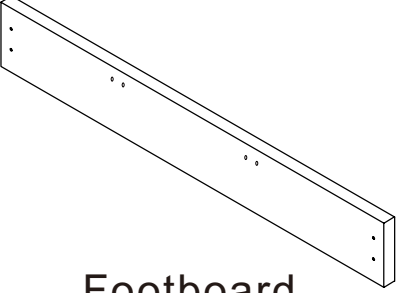
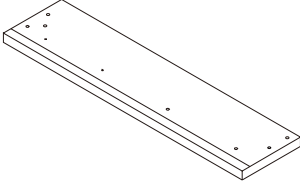
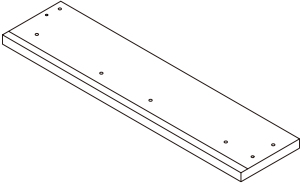
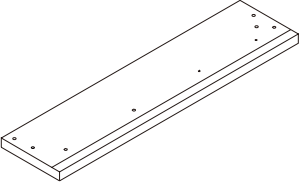
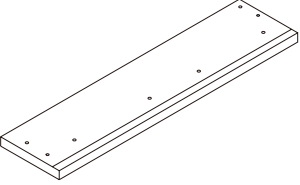
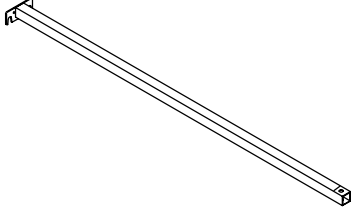
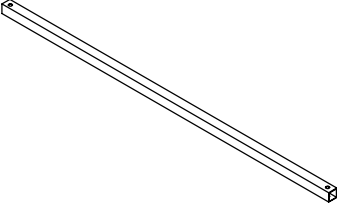
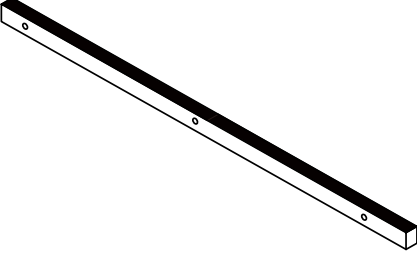
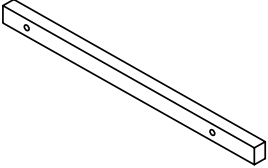
For easier and better assembly, **2** or more adults are required.

Attention:

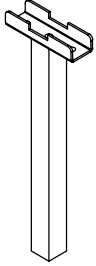
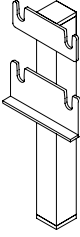
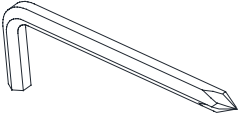

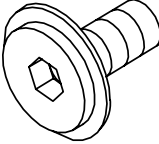
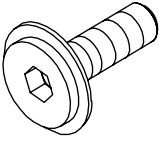
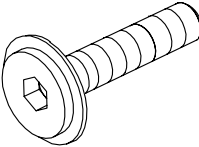
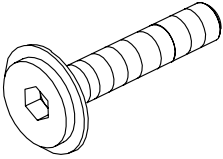


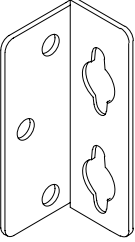
All the screws in, and then tighten them.



BED FRAME PARTS LIST

B₁  Slat 2PCS	B₂  Slat 1PC	C₁  Top headboard 1PC
C₂  Top headboard 1PC	D₁  Right Leg 1PC	D₂  Left Leg 1PC
E  Footboard 1PC	F₁  side rail 1PC	F₂  side rail 1PC
F₃  side rail 1PC	F₄  side rail 1PC	G  Middle support bar 2PCS
H  Middle support bar 2PCS	J₁  side bar 4PCS	J₂  side bar 2PCS

FITTING PART LIST

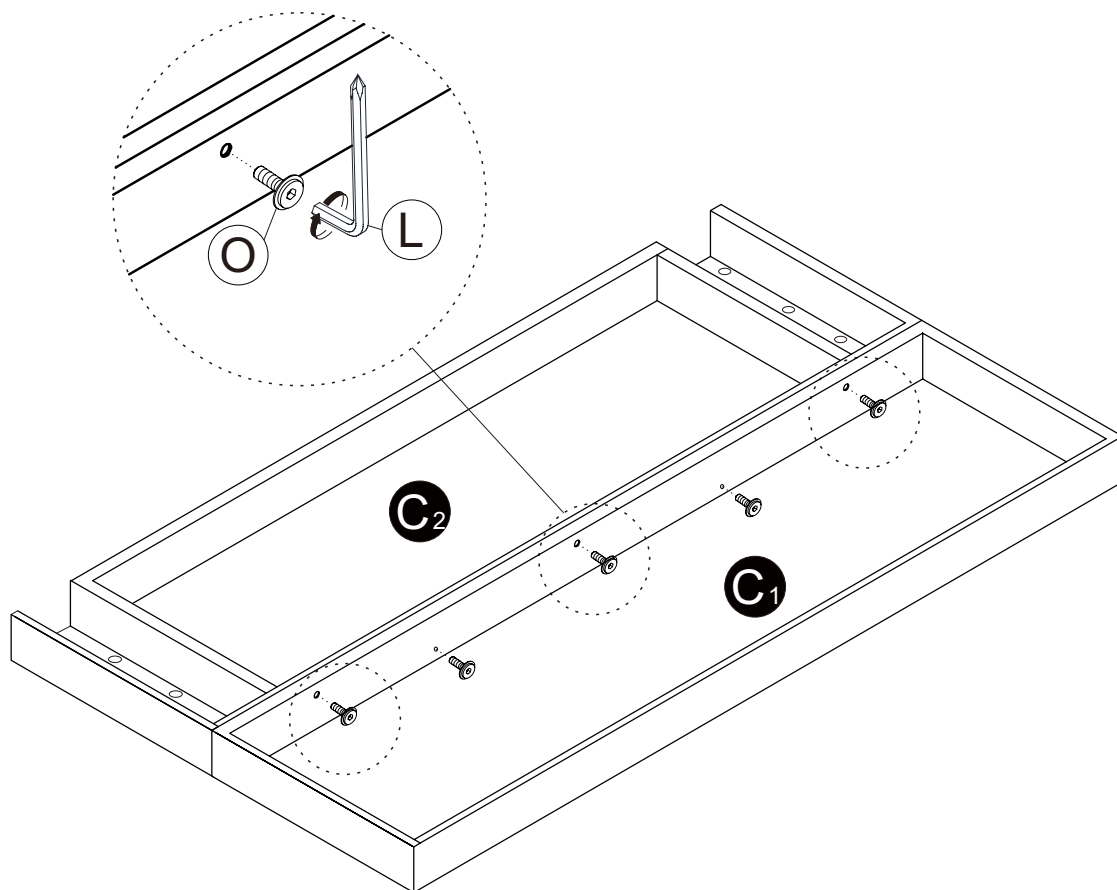
I	4PCS	K	2PCS	L	1PC	M	2PCS
							
Support leg		Support leg		M6		Leg	
N	22PCS	O	7PCS	P	22PCS	S	12PCS
							
M8*18		M8*35		M8*50		M8*60	
T	6PCS	U	6PCS	X	2PCS		
							
M4*25		M6*18*1.2		Connector			

step1

0



5PCS

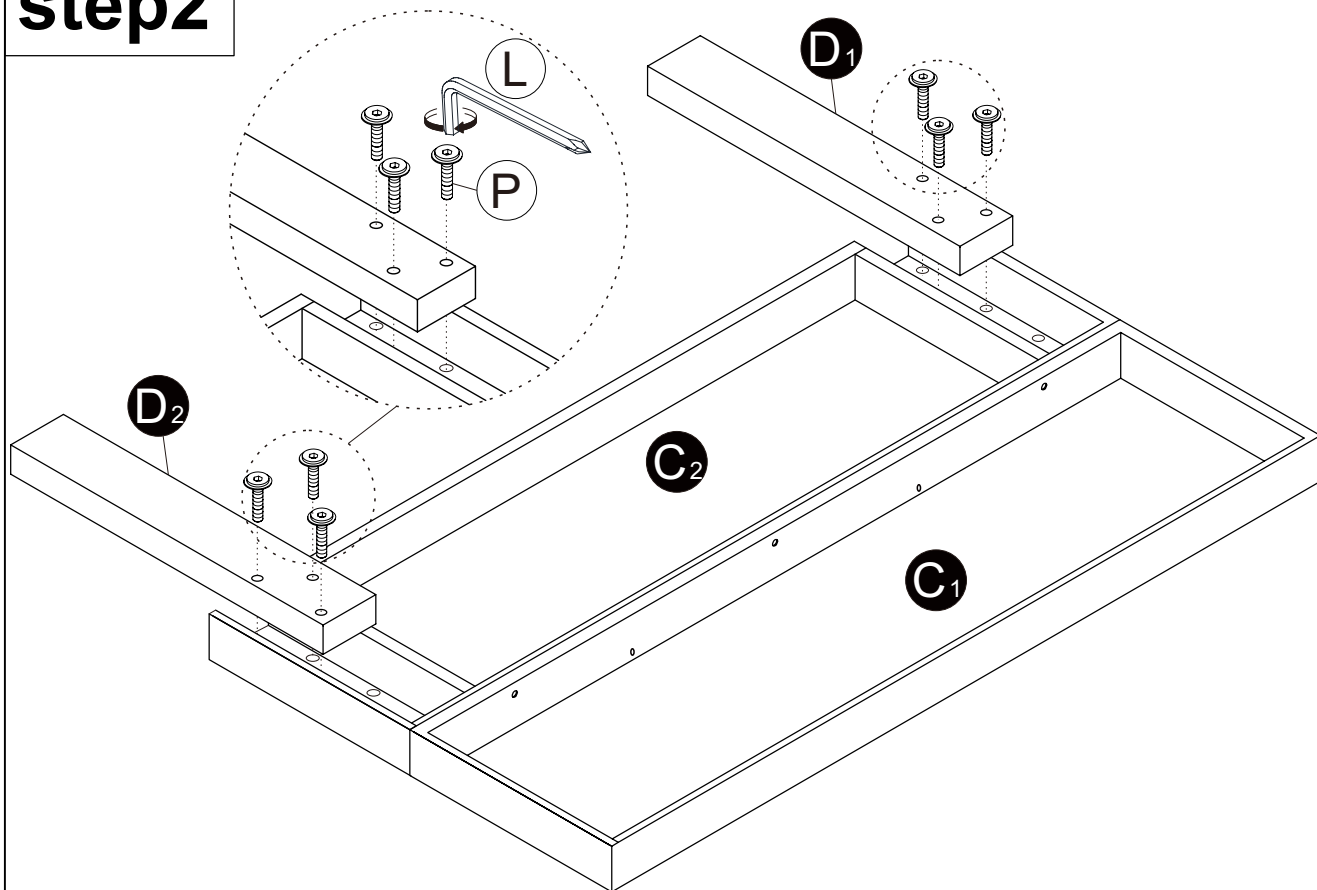


step2

P



6PCS

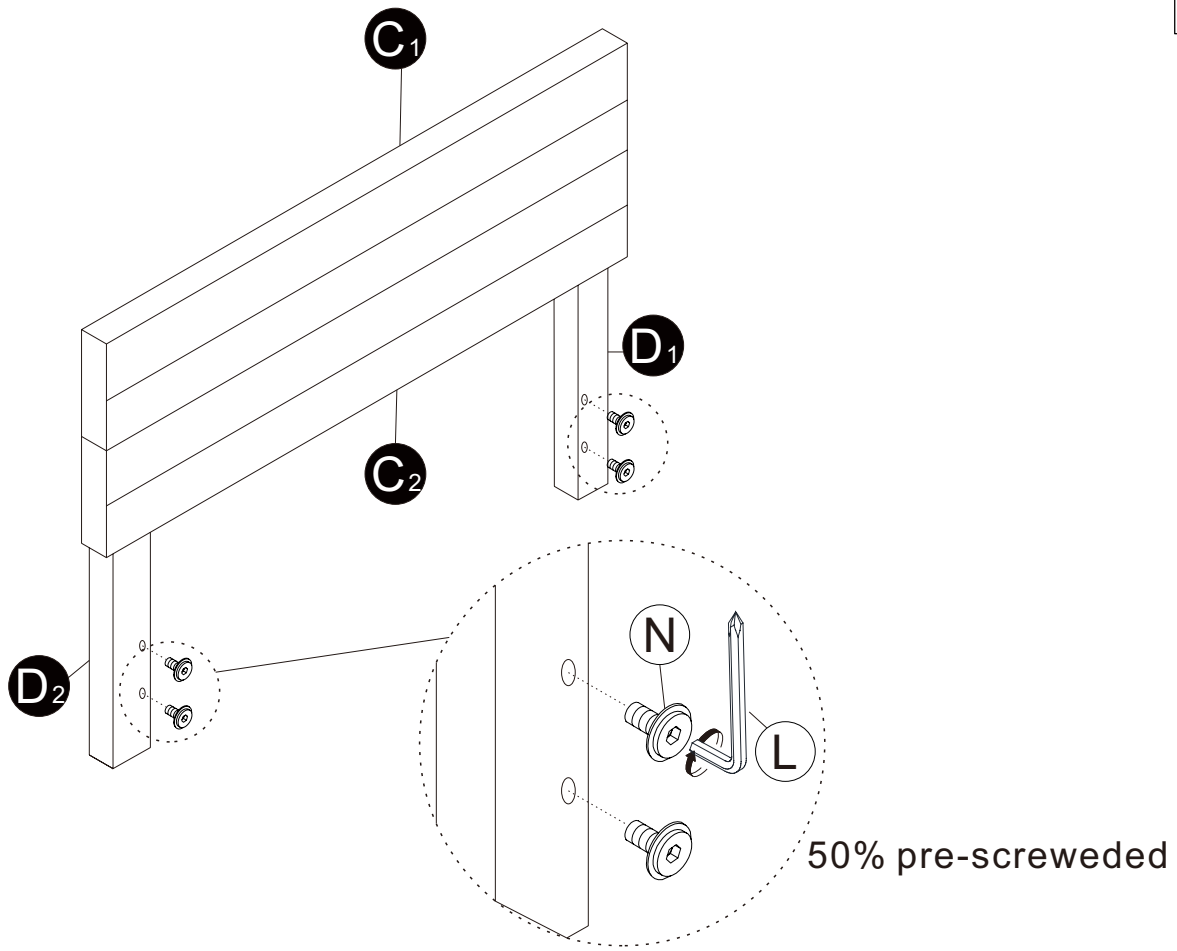


step3

N



4PCS

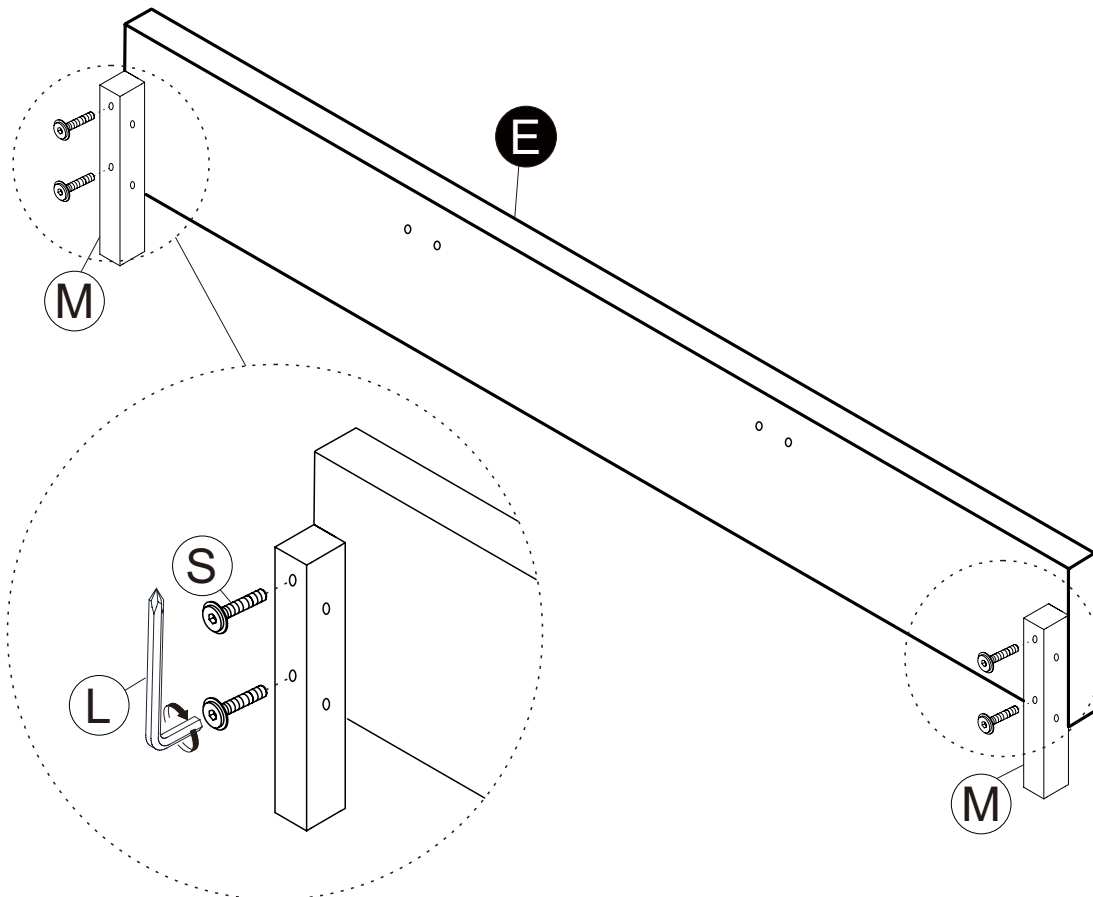


step4

S



4PCS

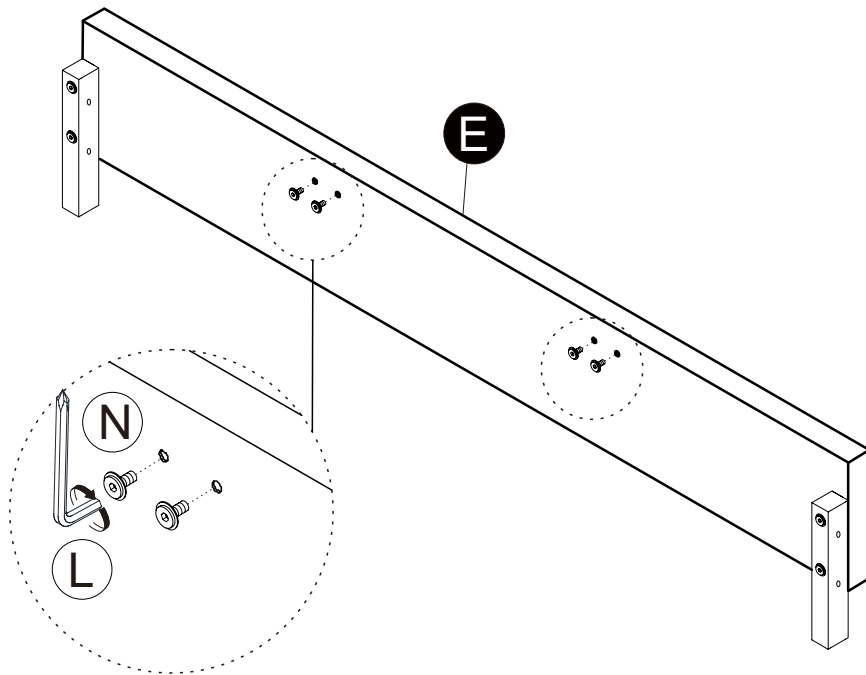


step5

N



4PCS



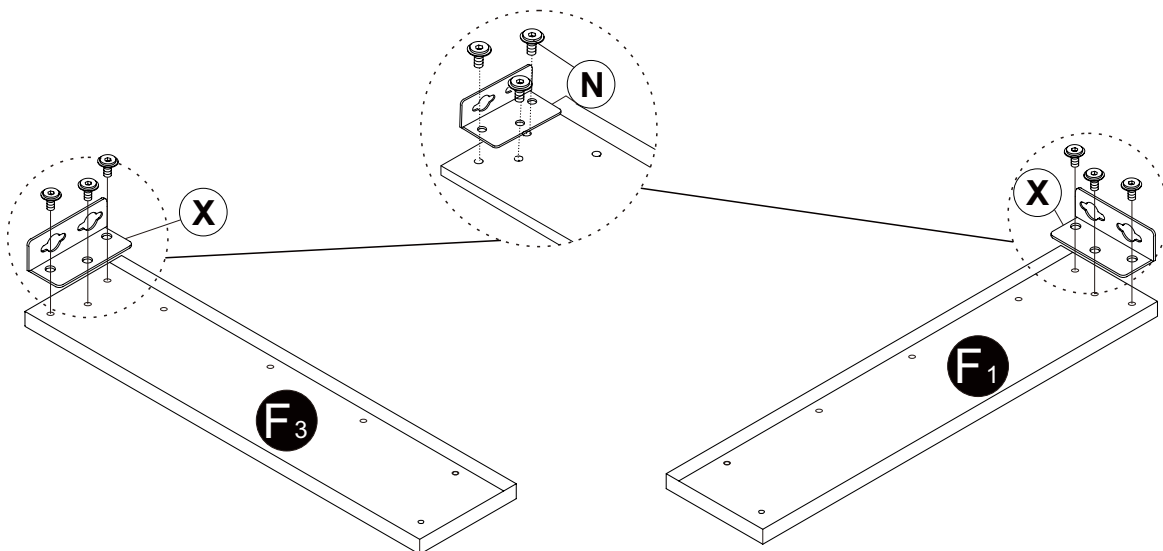
50% pre-screwed

step6

N



6PCS

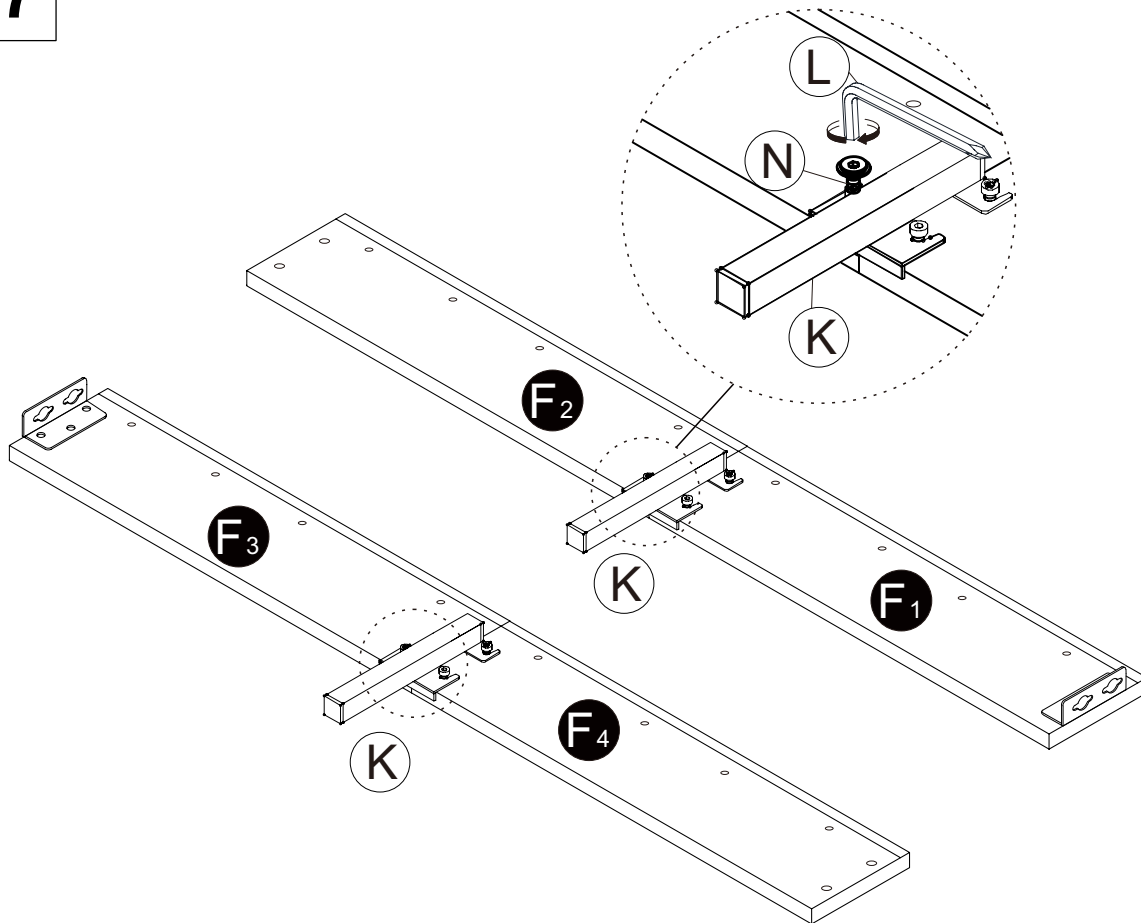


step7

N



8PCS

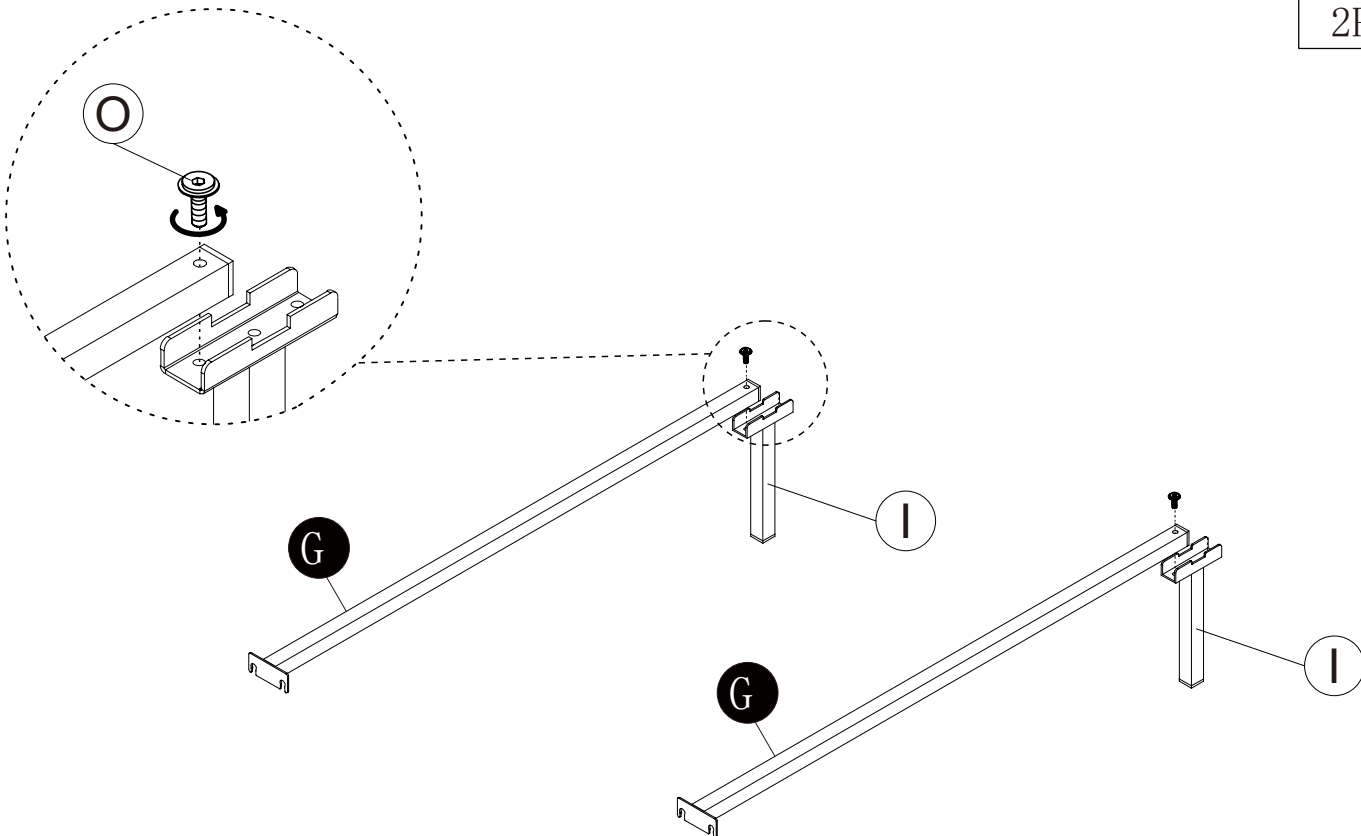


step8

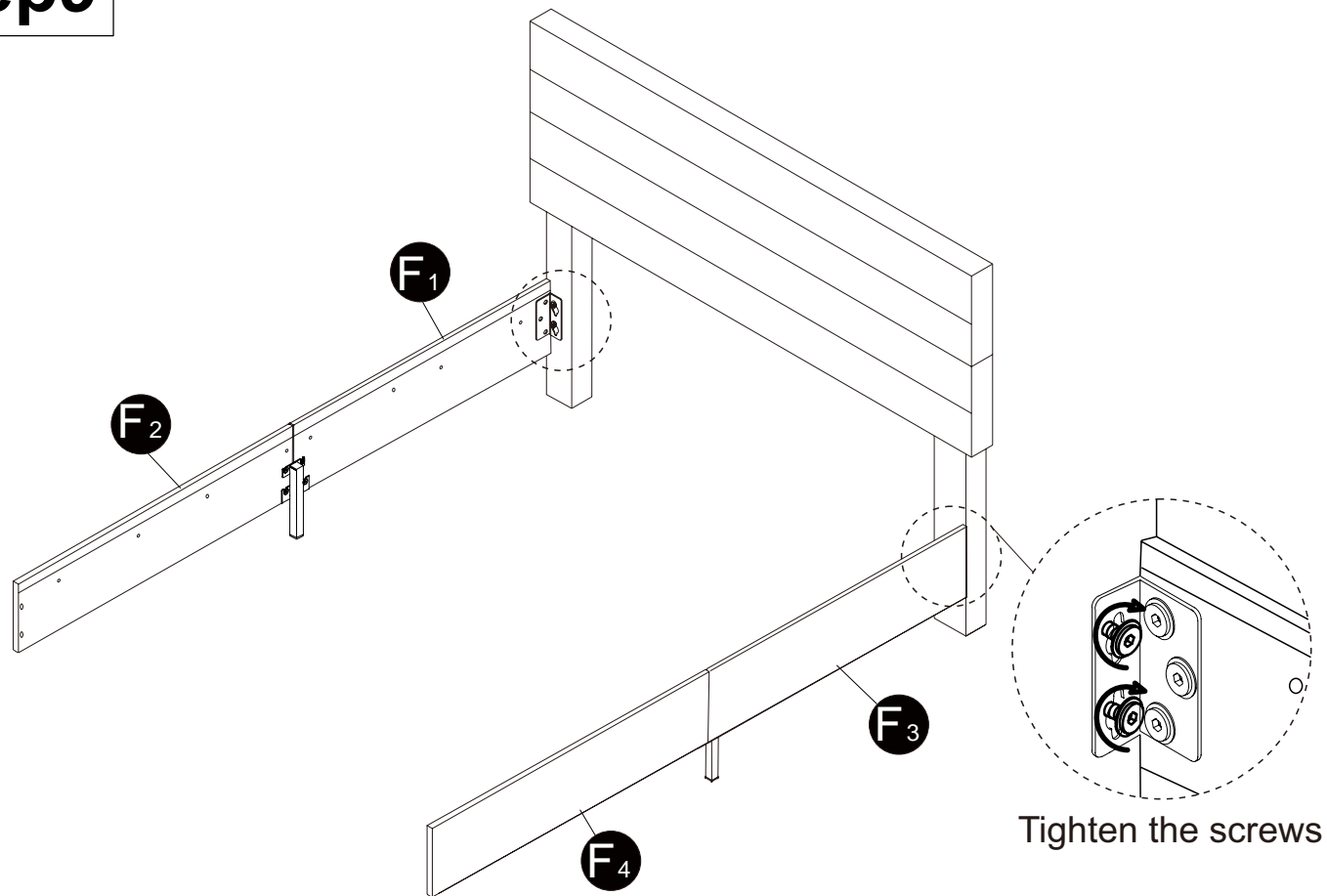
O



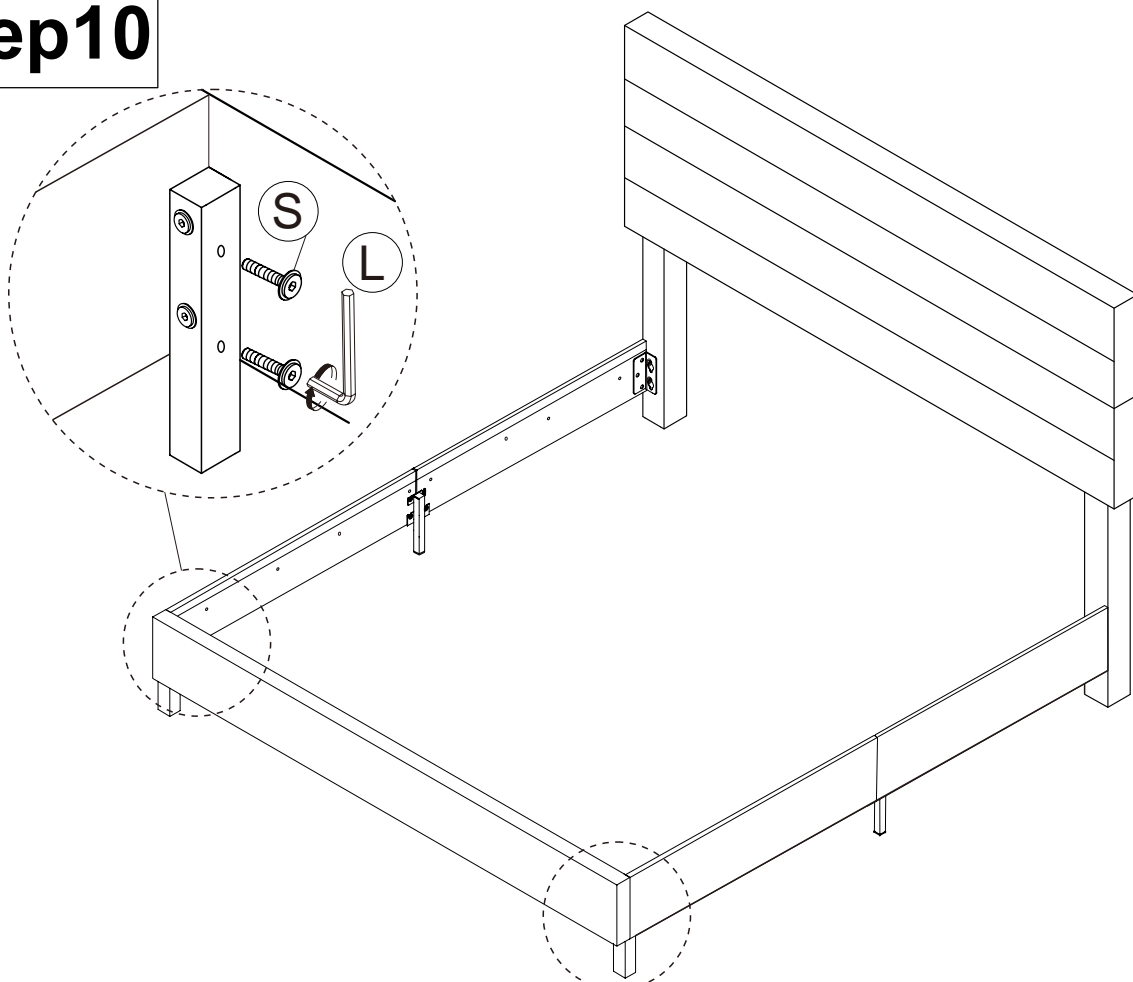
2PCS



step9

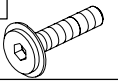


step10

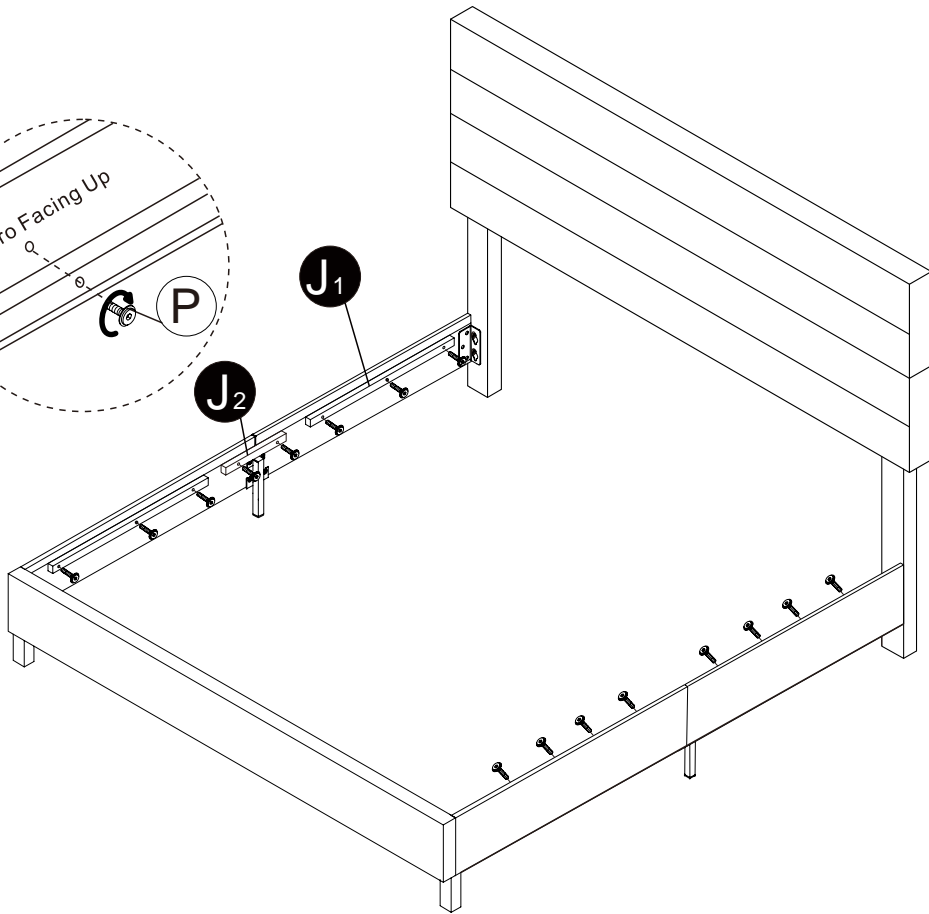
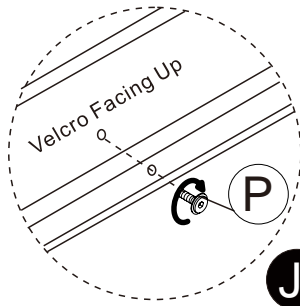


step11

P

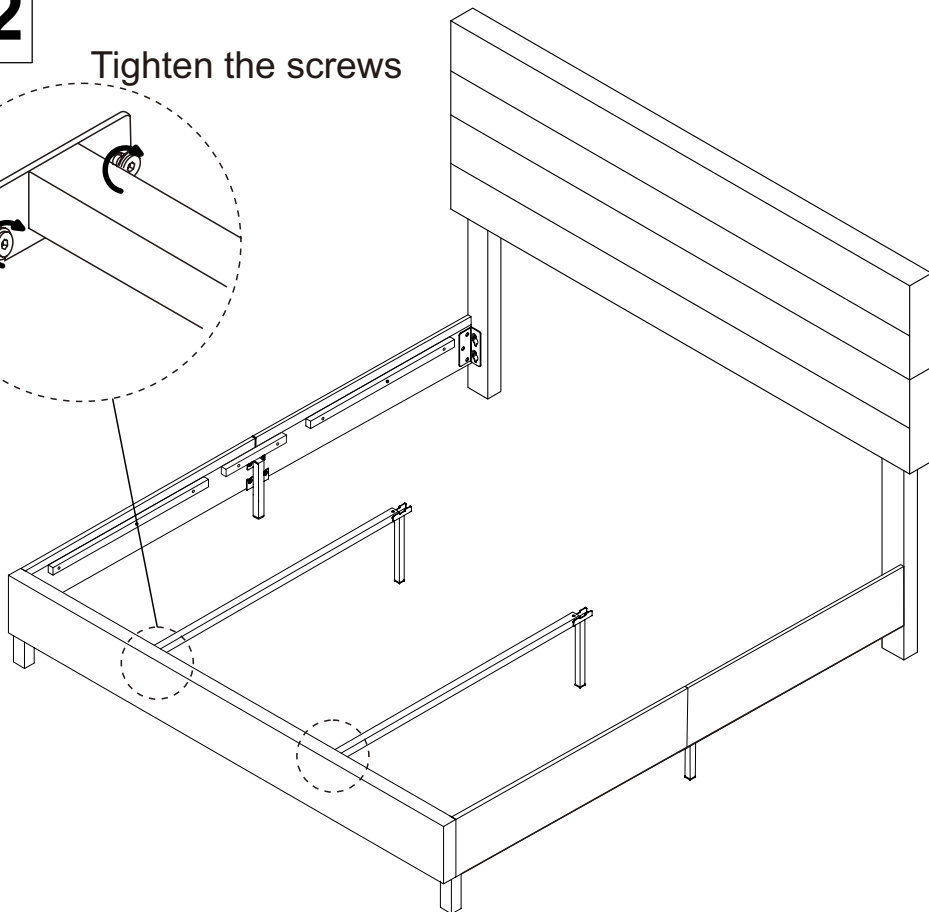
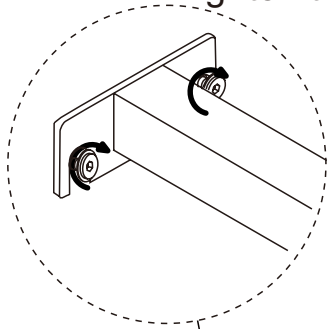


16PCS

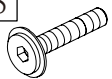


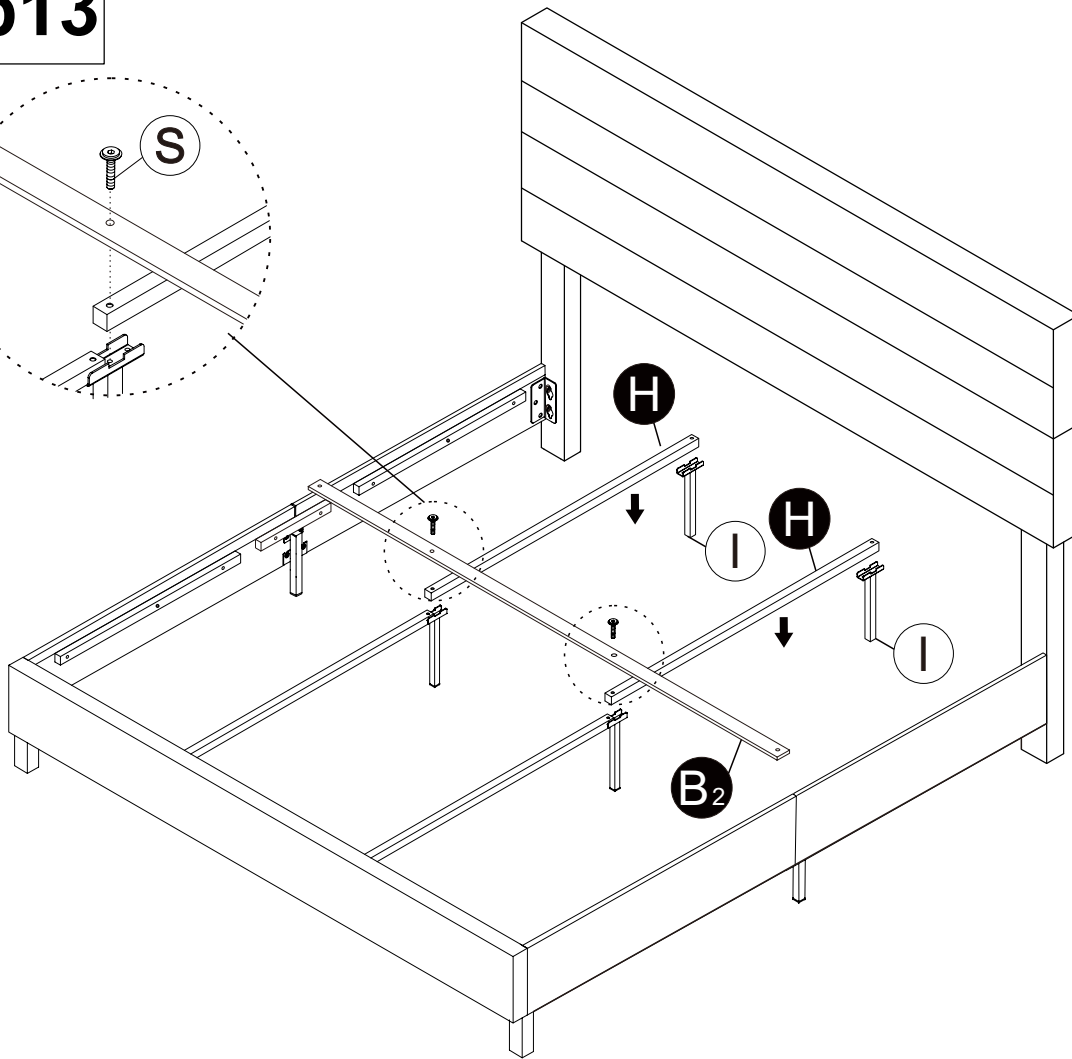
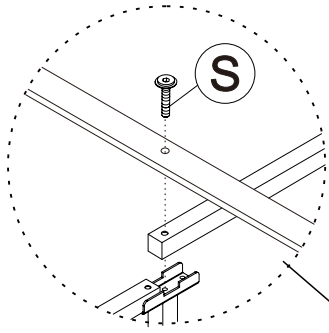
step12

Tighten the screws

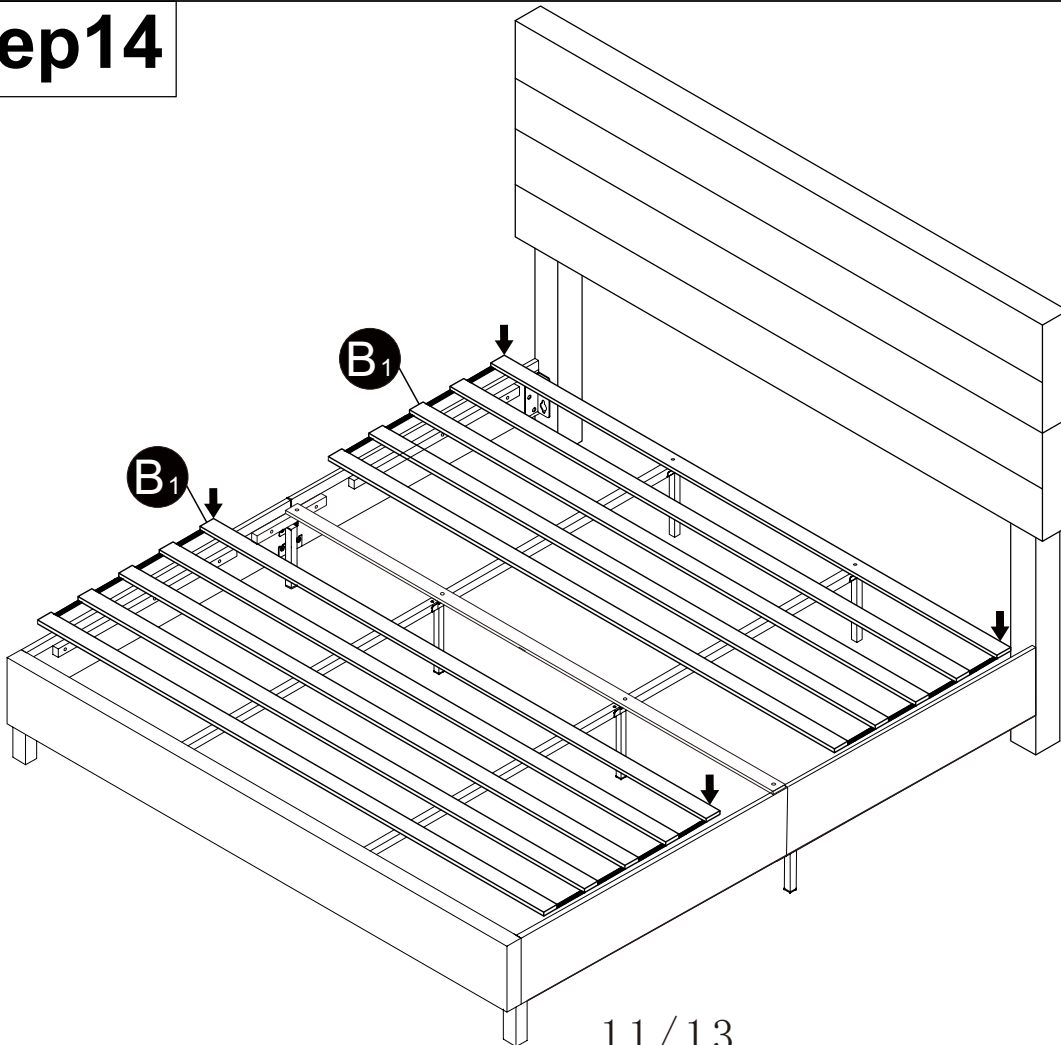


step13

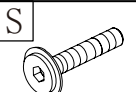
S

2PCS



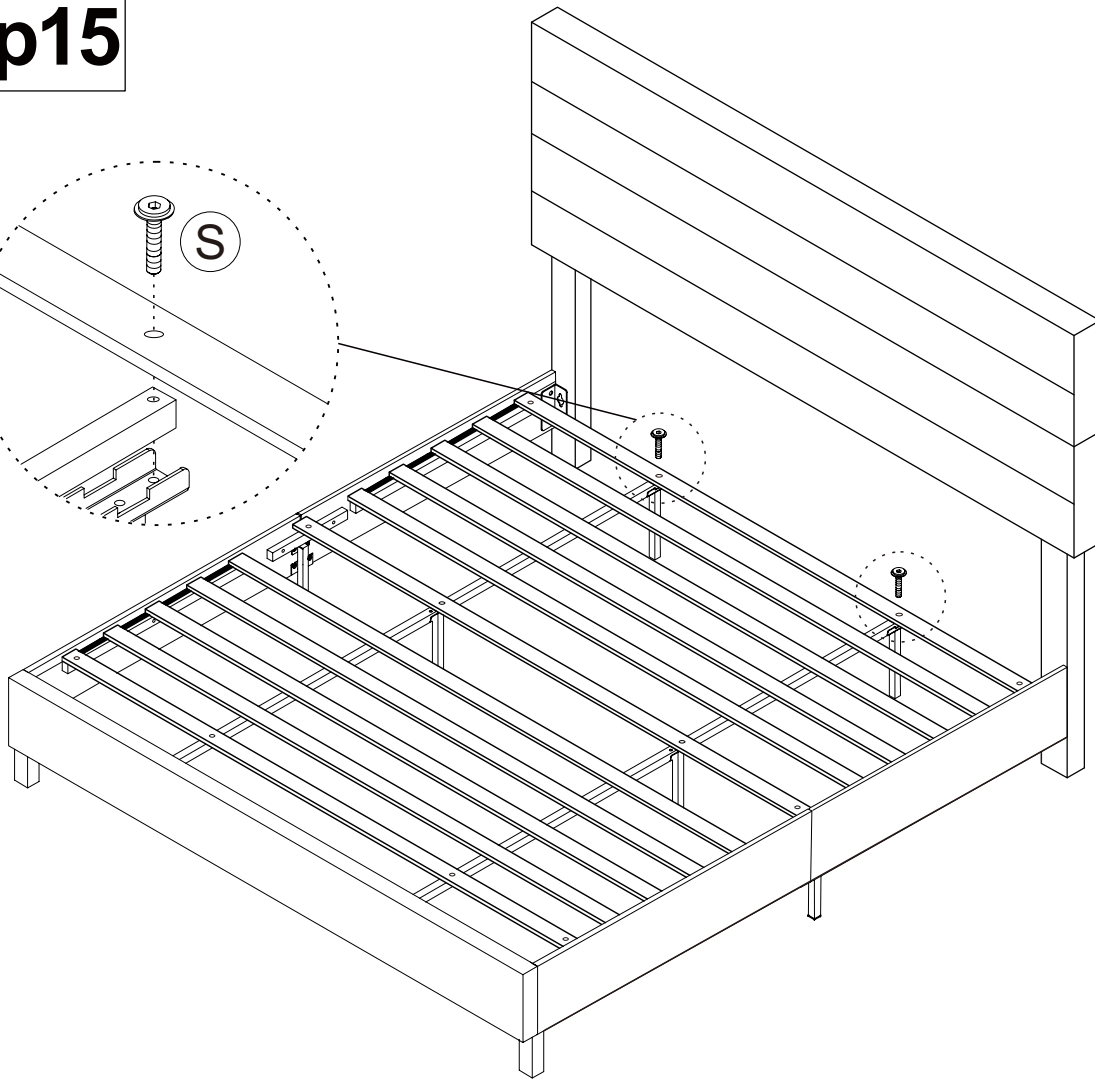
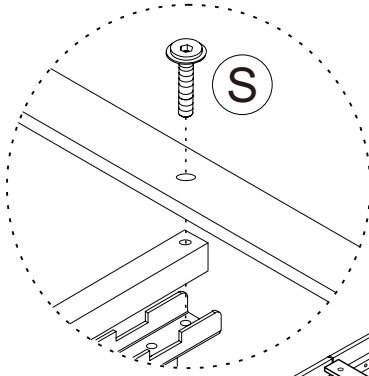
step14



step15



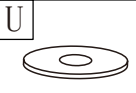
2PCS



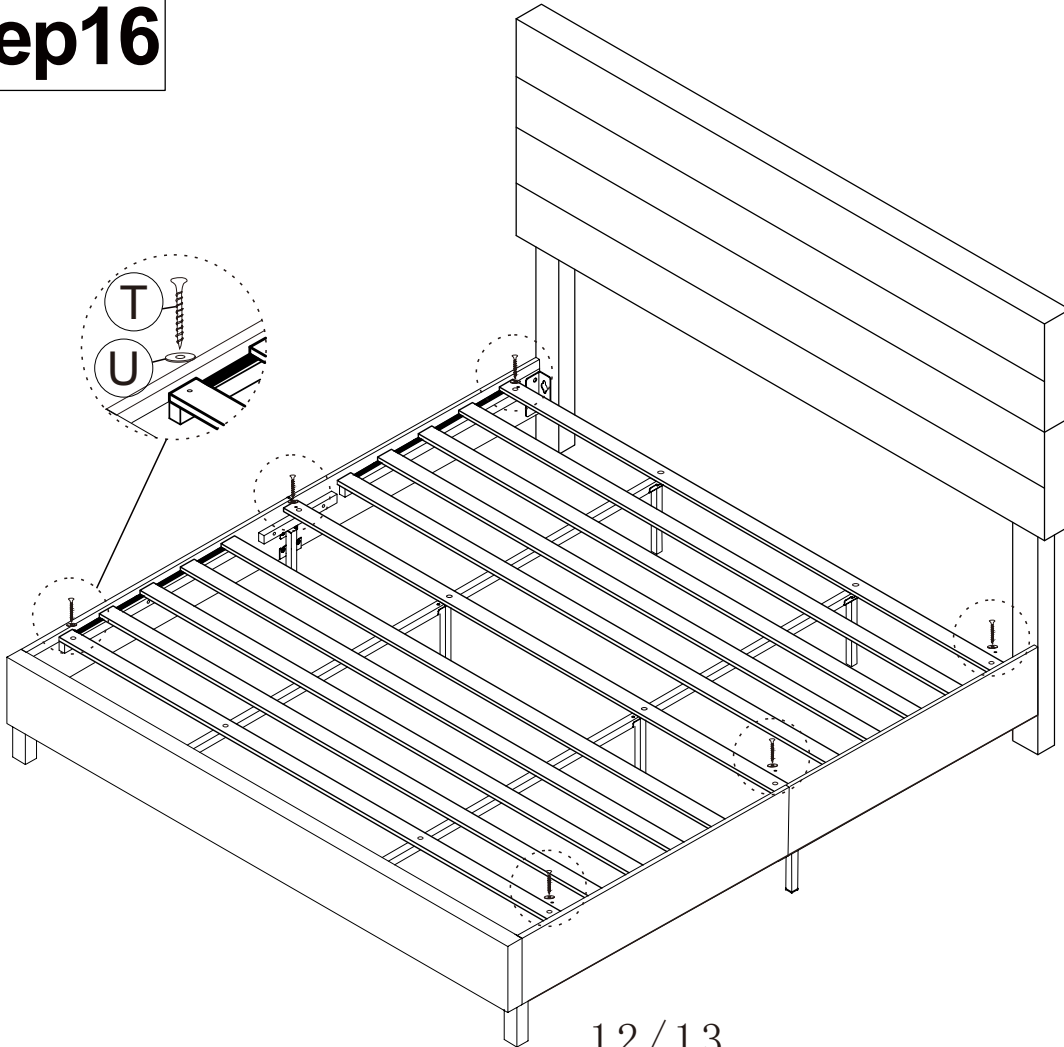
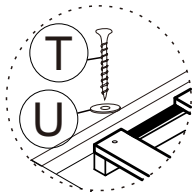
step16



6PCS



6PCS



step17

