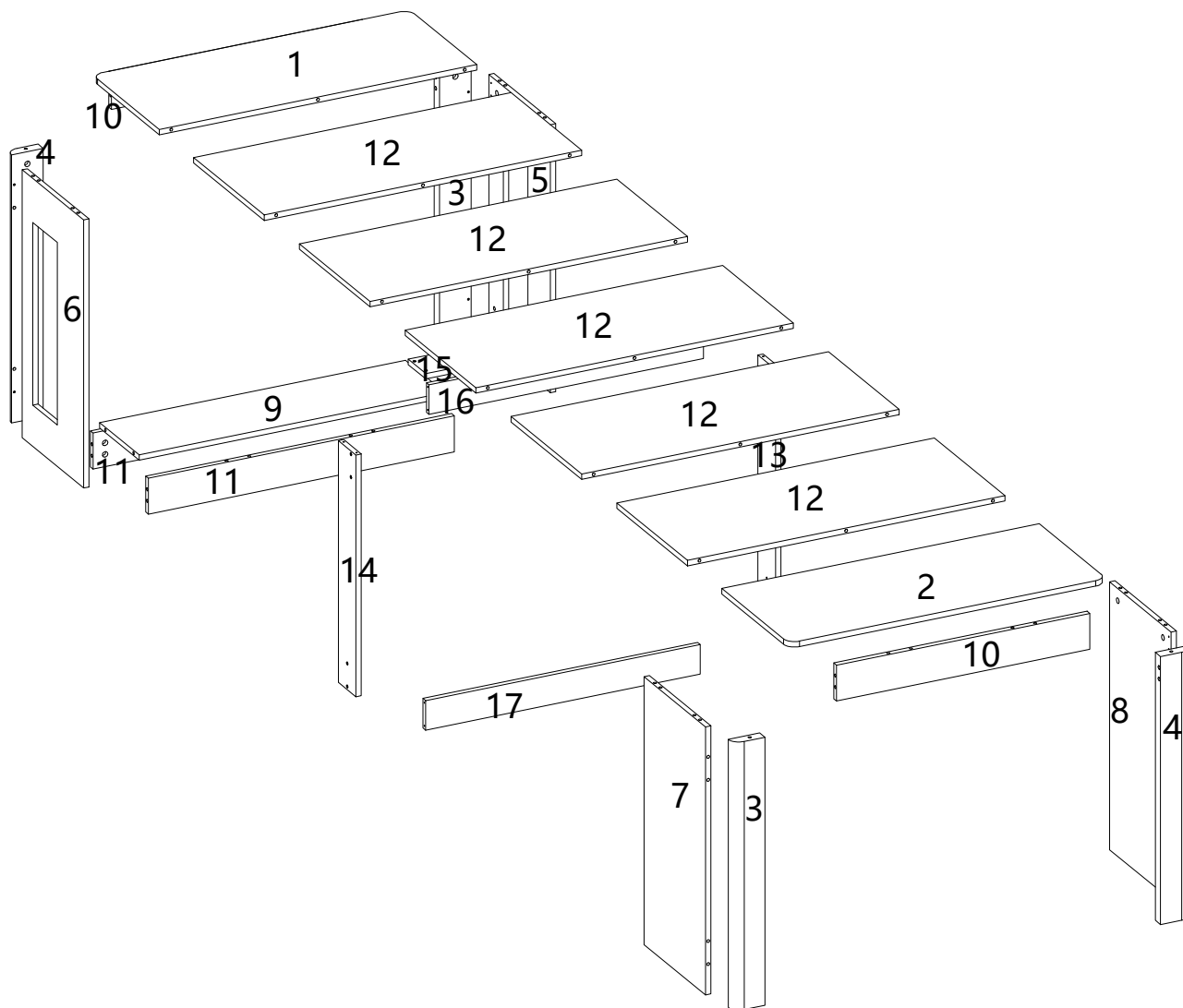
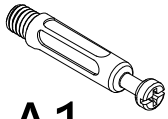
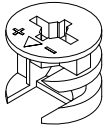


DS-DT001F



A

A2

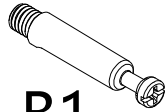
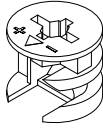


A1

40PCS

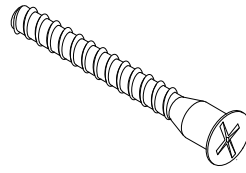
B

B2



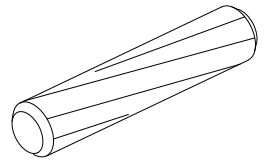
B1

8PCS

C

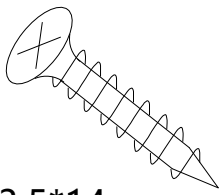
M5*40mm

14PCS

D

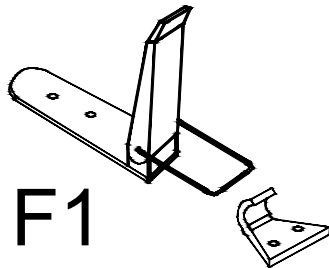
ø8*30mm

26PCS

E

ø3.5*14mm

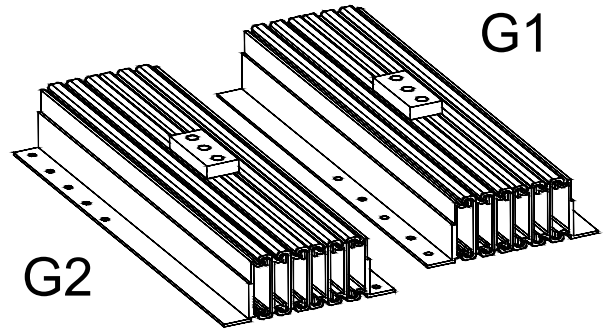
64PCS

F

F1

F2

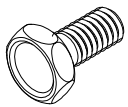
12PCS

G

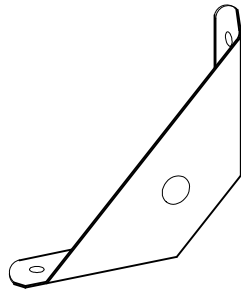
G1

G2

1PC

H

12PCS

I

4PCS

J

J1

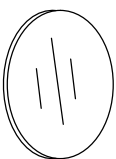
J2



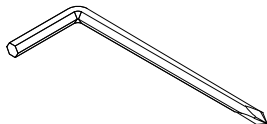
18PCS

K

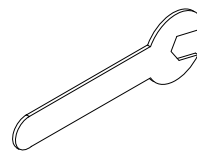
16PCS

L

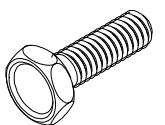
62PCS

M

1PC

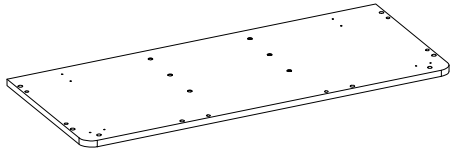
N

1PC

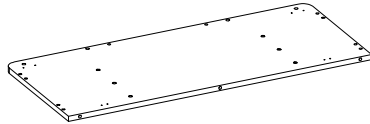
O

2PCS

1



2



3



900*380.5*15mm

1PC

900*380.5*15mm

1PC

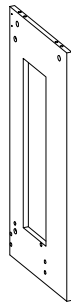
745*90*30mm

2PCS

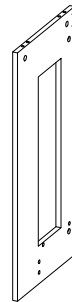
4



5



6



745*90*30mm

2PCS

745*349*15mm

1PC

745*349*15mm

1PC

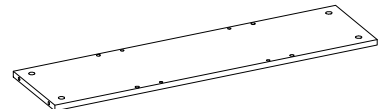
7



8



9



745*349*15mm

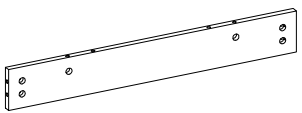
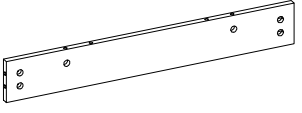
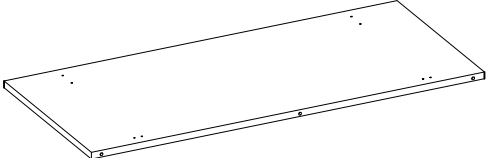
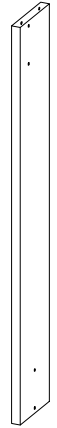

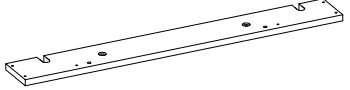
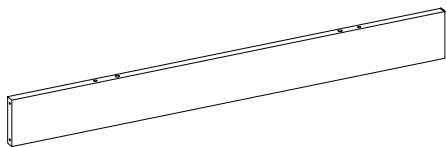
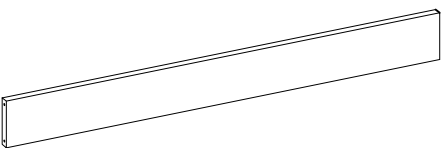
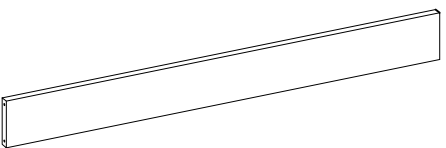
1PC

745*349*15mm

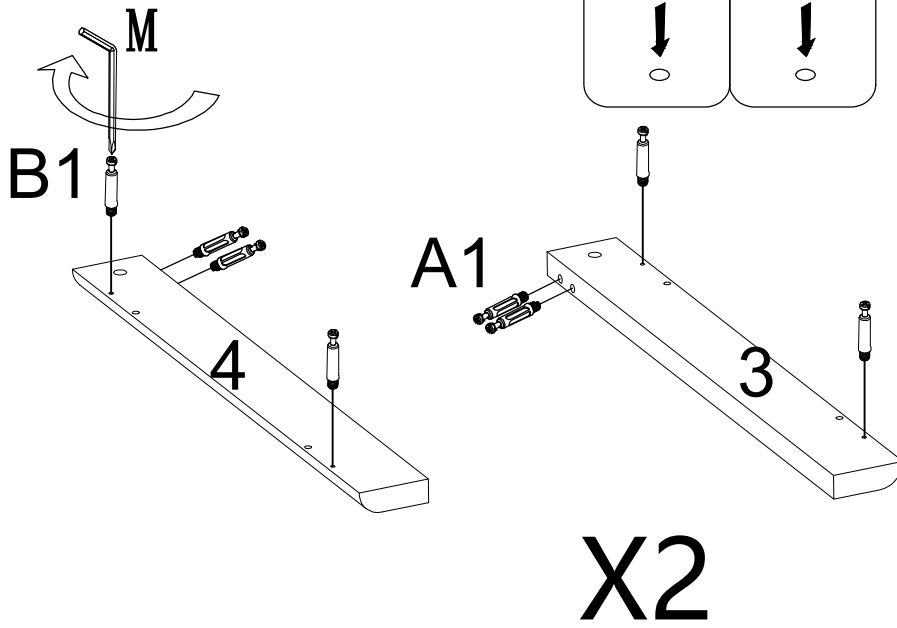
1PC

867*224*15mm

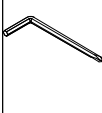


1PC

<p>10</p>  <p>718*100*15mm 2PCS</p>	<p>11</p>  <p>867*100*15mm 2PCS</p>	<p>12</p>  <p>900*400*15mm 5PCS</p>
<p>13</p>  <p>672*98*15mm 1PC</p>	<p>14</p>  <p>672*98*15mm 1PC</p>	<p>15</p>  <p>808*100*15mm 1PC</p>
<p>16</p>  <p>776*82*15mm 1PC</p>	<p>17</p>  <p>776*82*15mm 1PC</p>	<p>18</p>  <p>776*82*15mm 1PC</p>

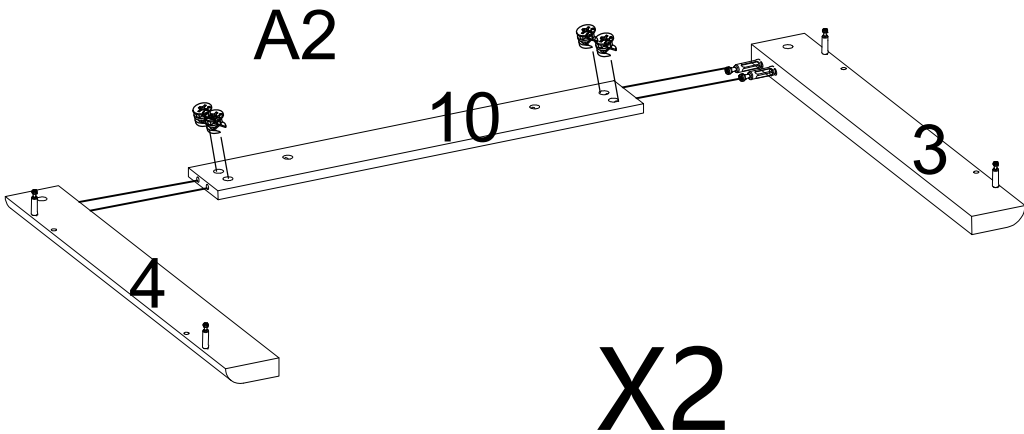
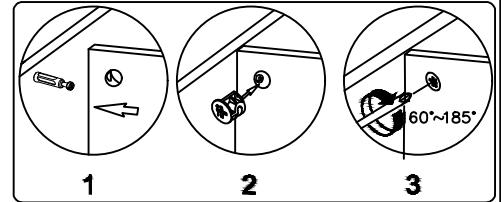
STEP 1




X2

	M × 1PC		B1 × 8PCS		A1 × 8PCS
---	---------	---	-----------	---	-----------

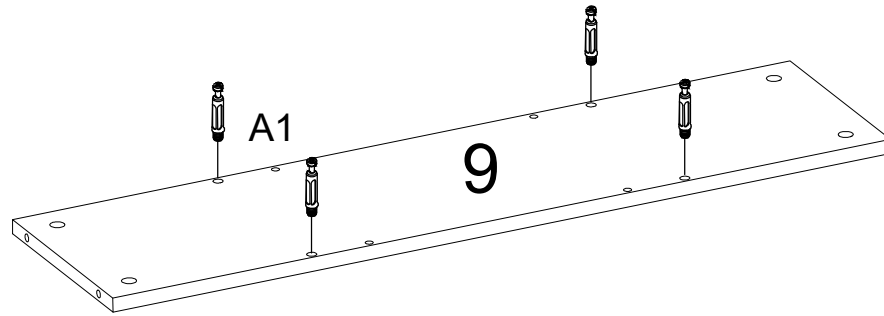
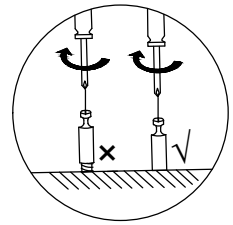
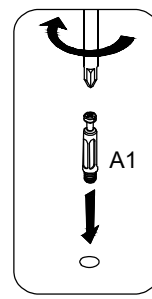
STEP 2




X2

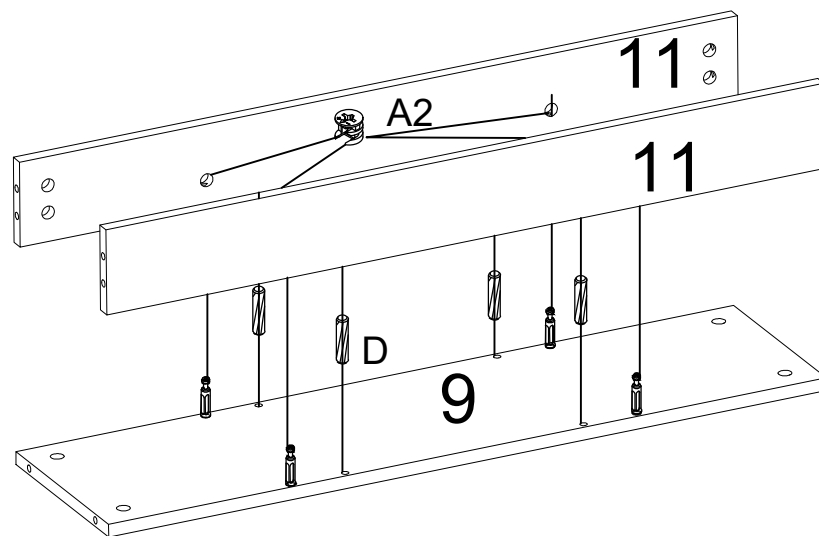
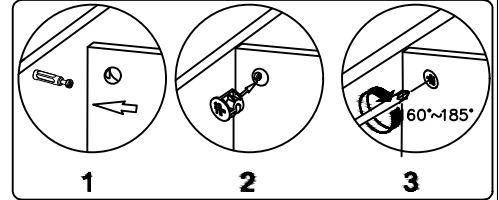
	A2 × 8PCS
---	-----------



STEP 3



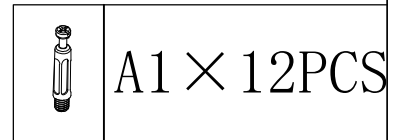
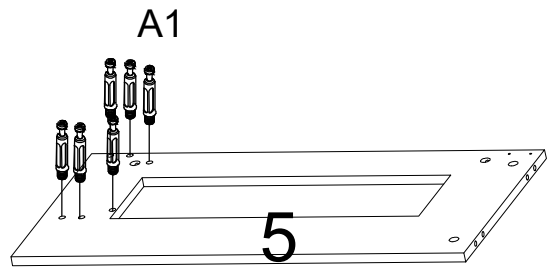
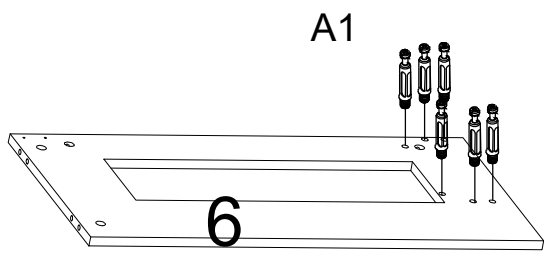
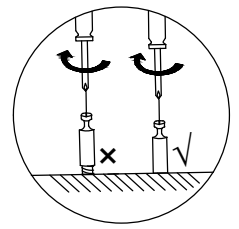
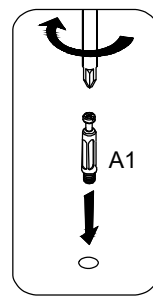
	A1 × 4PCS
--	-----------

STEP 4

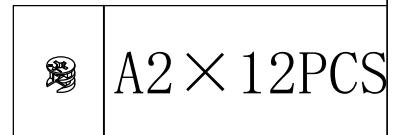
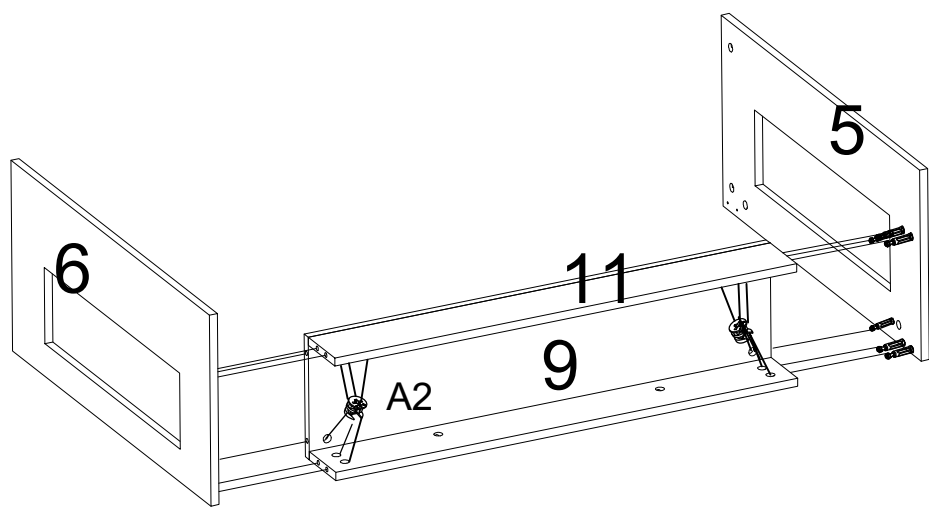
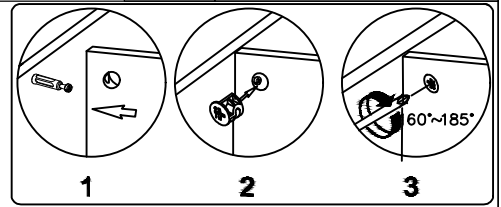


	A2 × 4PCS
	D × 4PCS

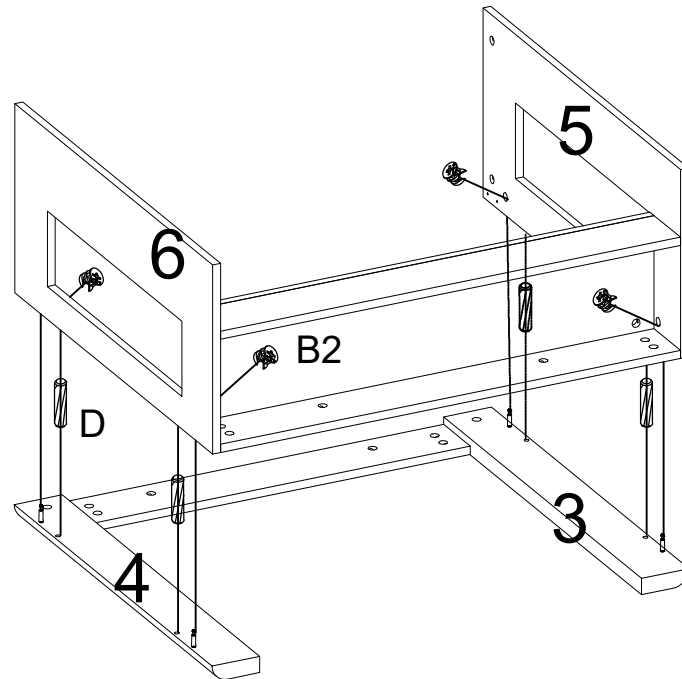
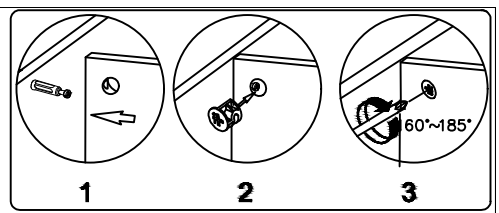
STEP 5





STEP 6

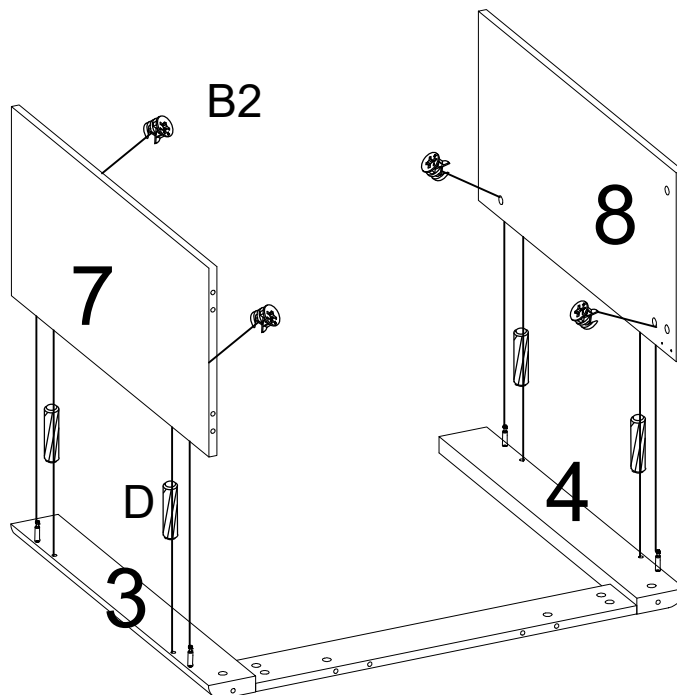
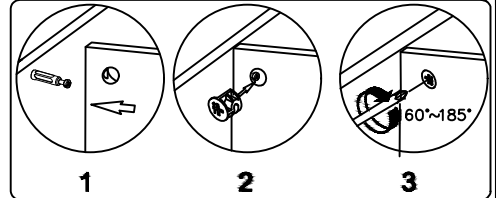




STEP 7



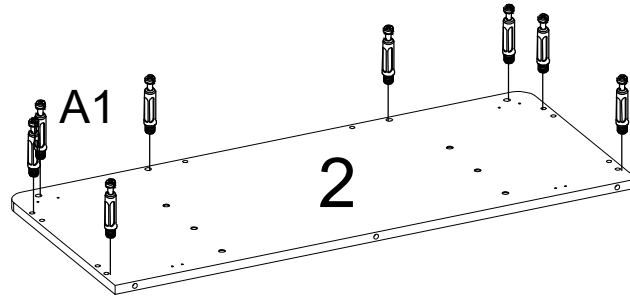
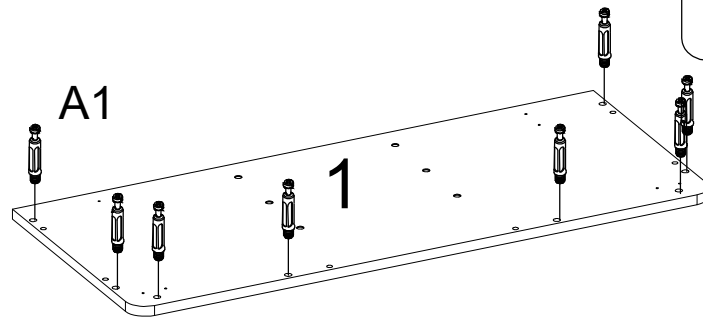
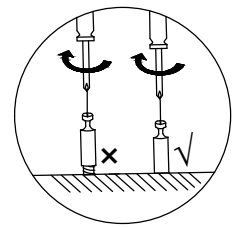
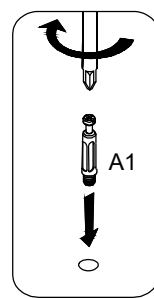
	B2 × 4PCS
	D × 4PCS


STEP 8



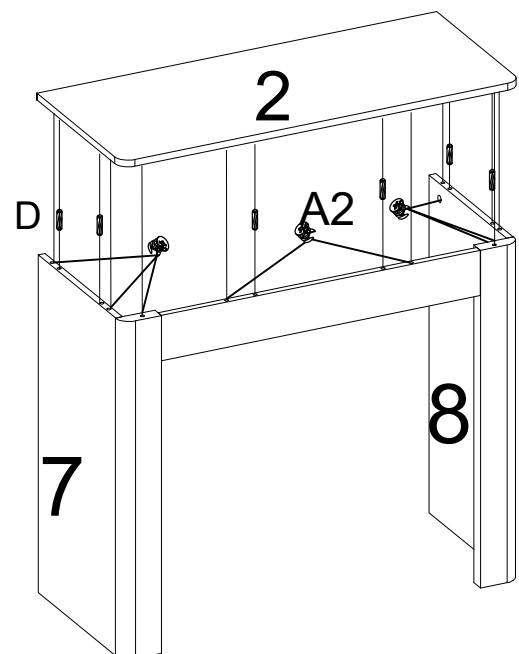
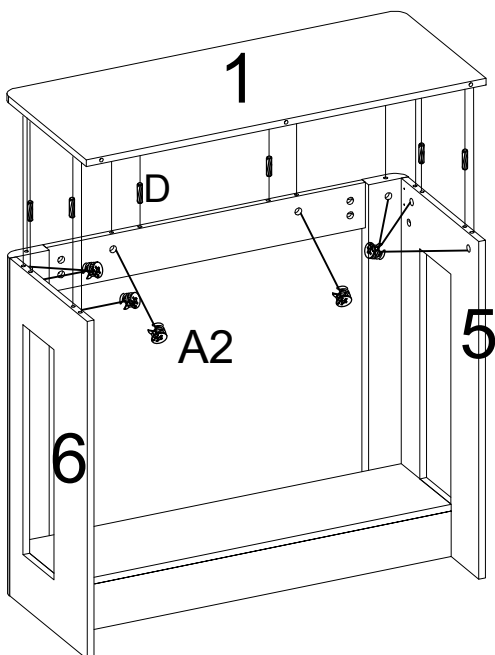
	B2 × 4PCS
	D × 4PCS



STEP 9



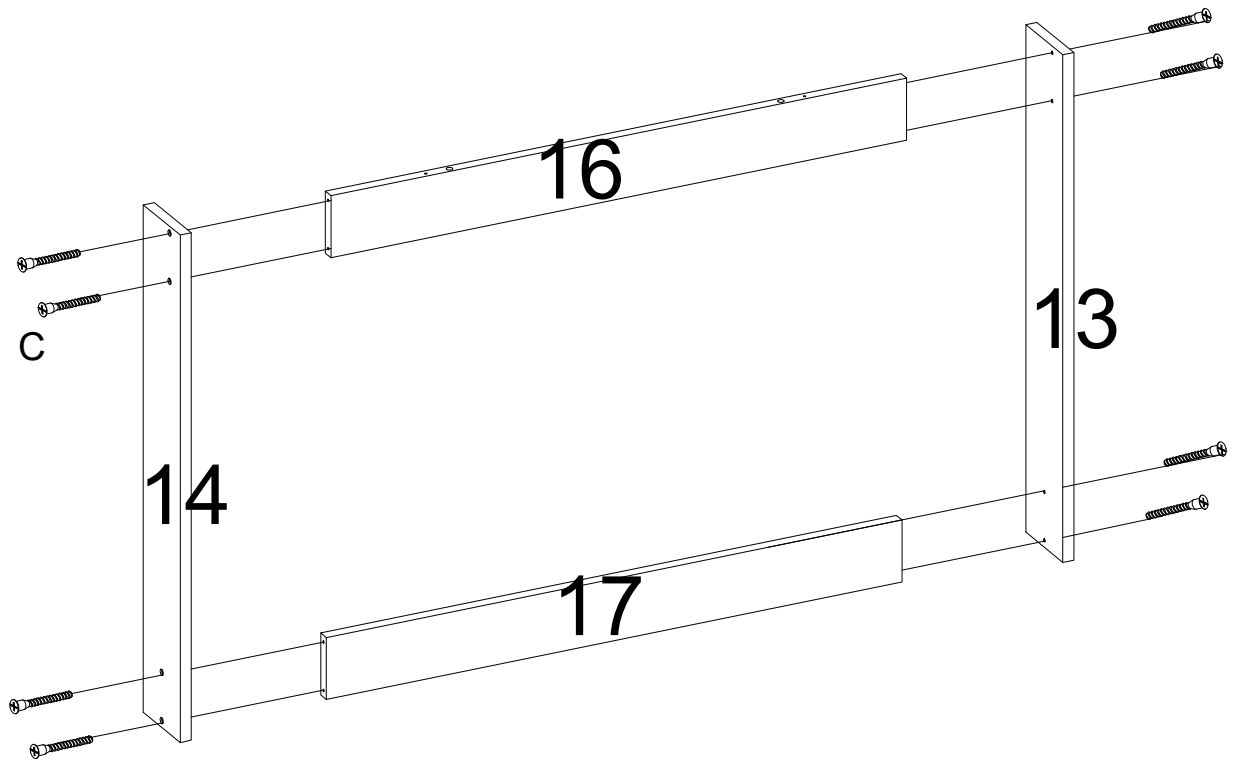
	A1 × 16PCS
--	------------

STEP 10



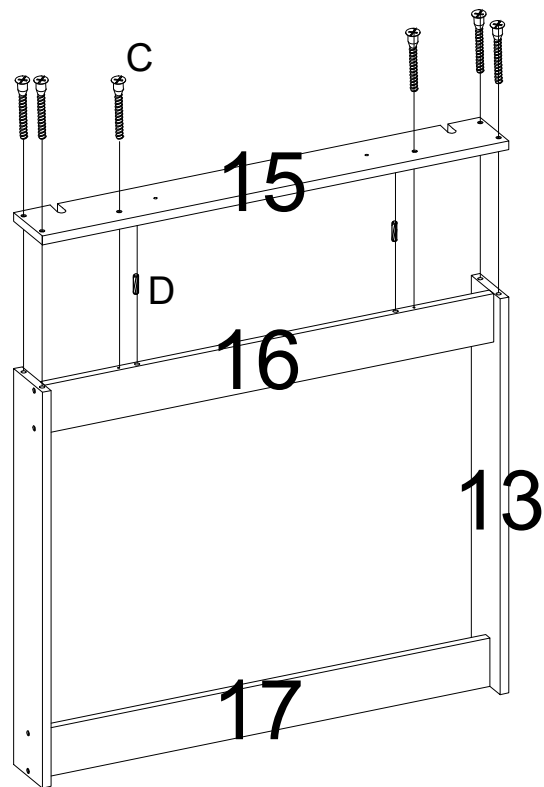
	A2 × 16PCS
	D × 12PCS



STEP 11



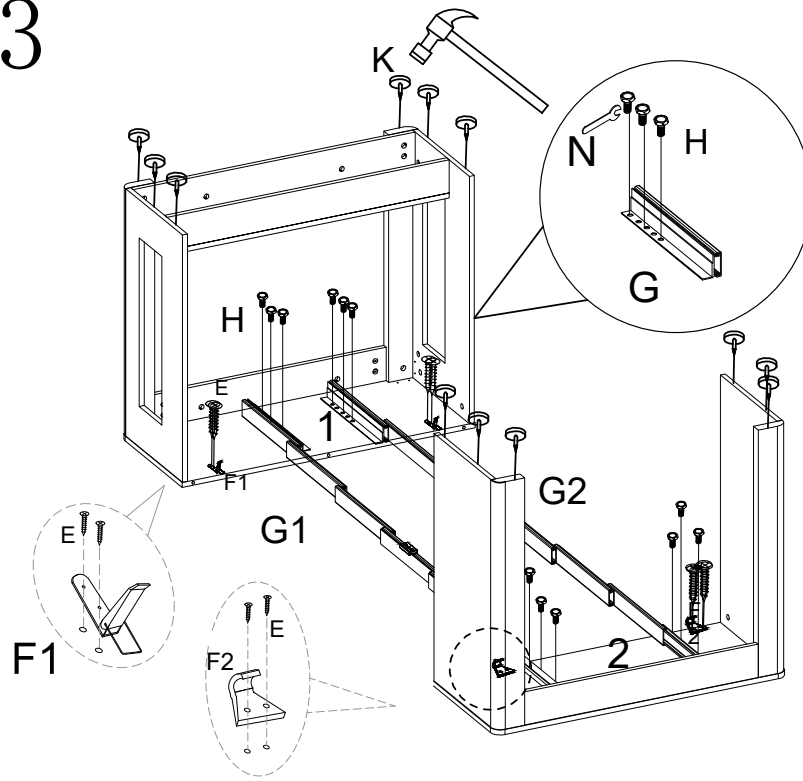
	C × 8PCS
---	----------


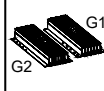
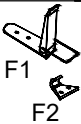
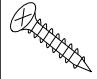


STEP 12



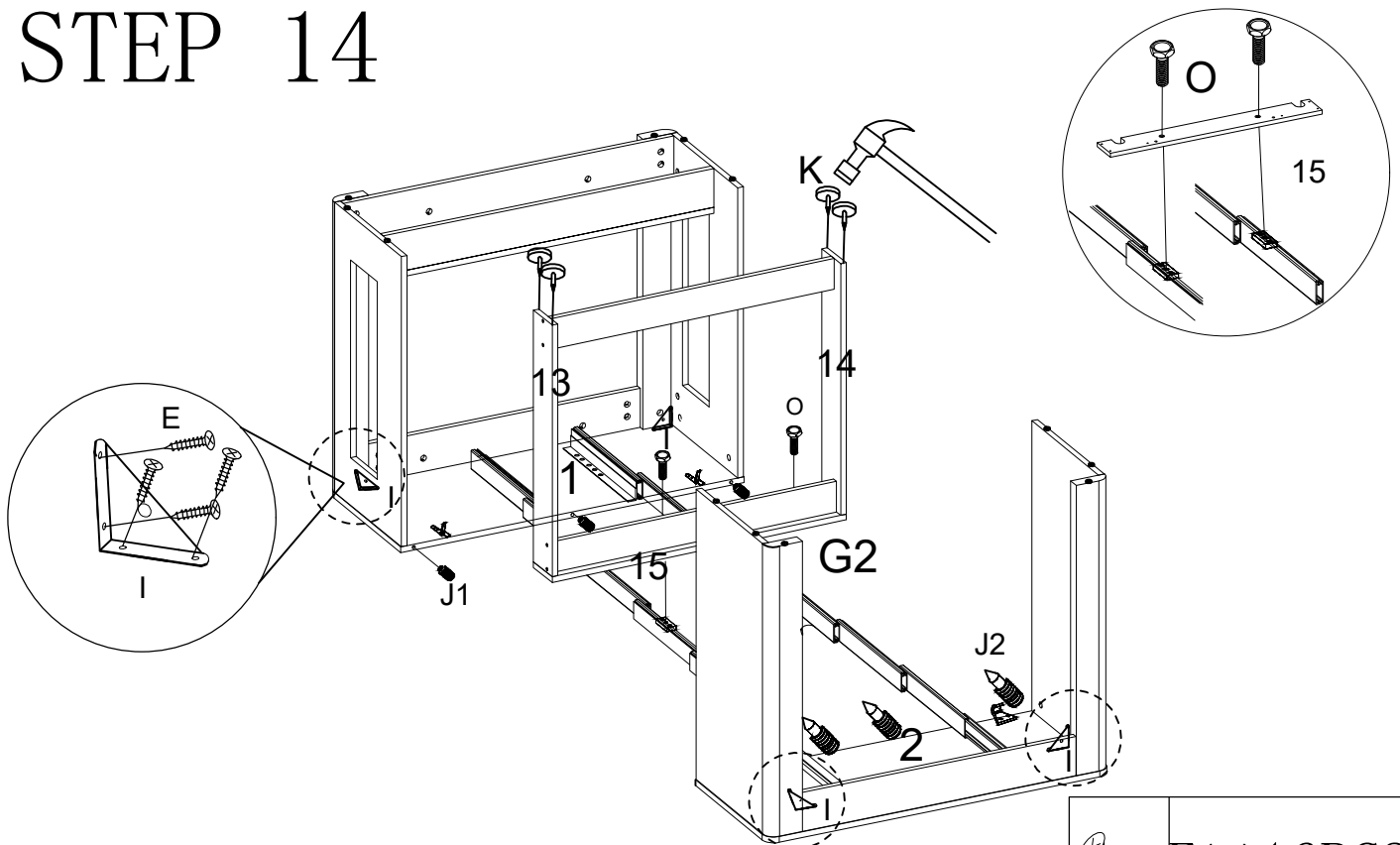
	D × 2PCS
	C × 6PCS

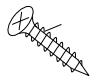
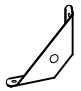
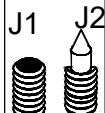


STEP 13



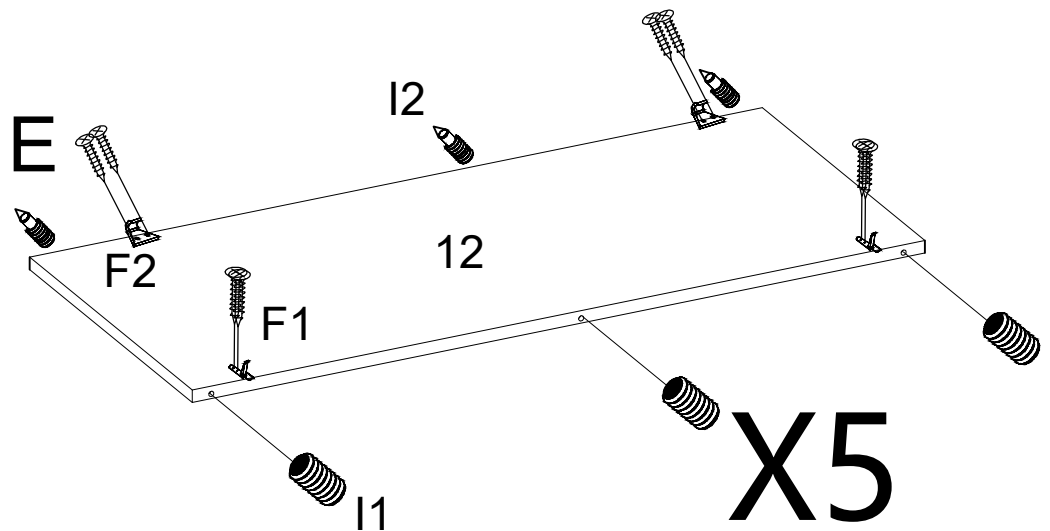
				N × 1PC		G × 1PC	
	F × 2PCS		E × 8PCS		H × 12PCS		K × 12PCS

STEP 14



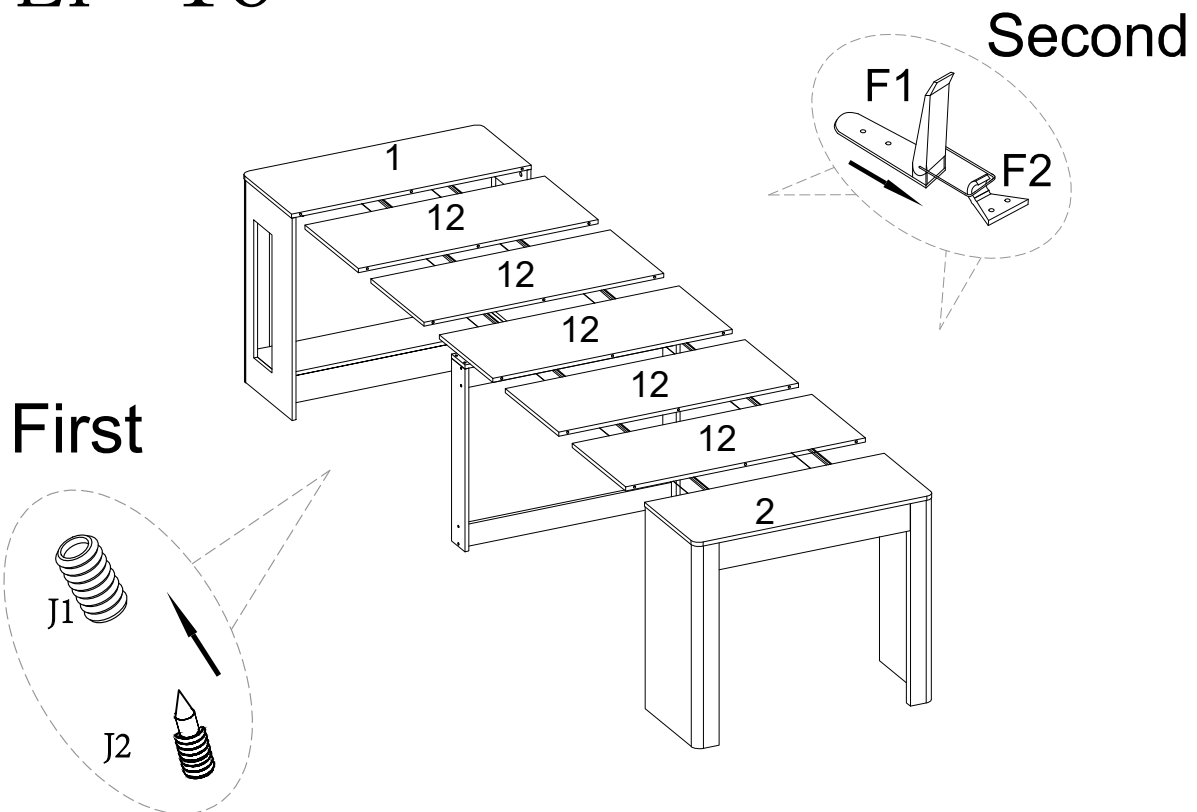
				E × 16PCS			
	I × 4PCS		J × 3PCS		O × 2PCS		K × 4PCS

STEP 15

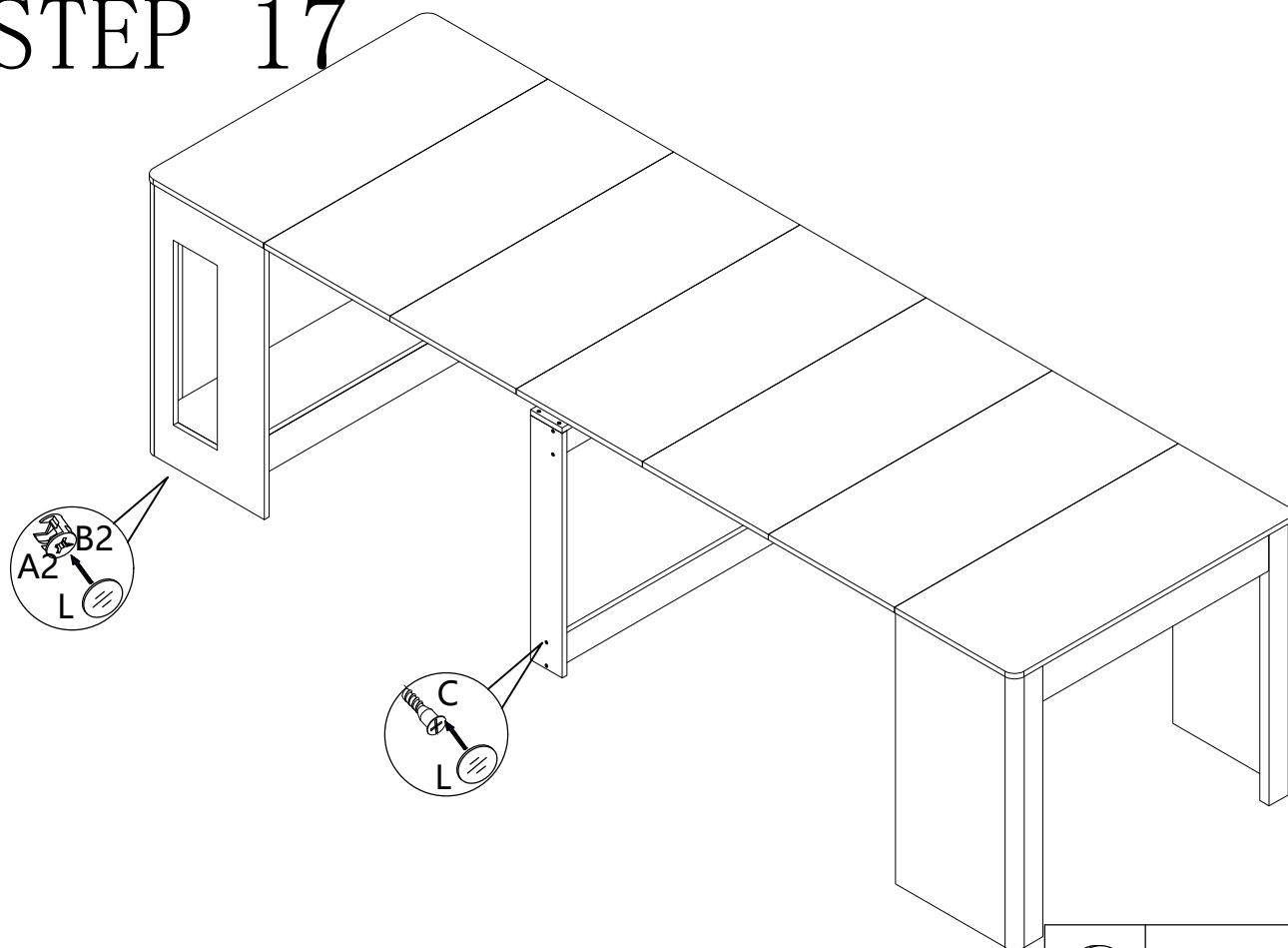


	$I \times 15\text{PCS}$		$E \times 40\text{PCS}$		$F \times 10\text{PCS}$
--	-------------------------	---	-------------------------	--	-------------------------

STEP 16



STEP 17



STEP 18

