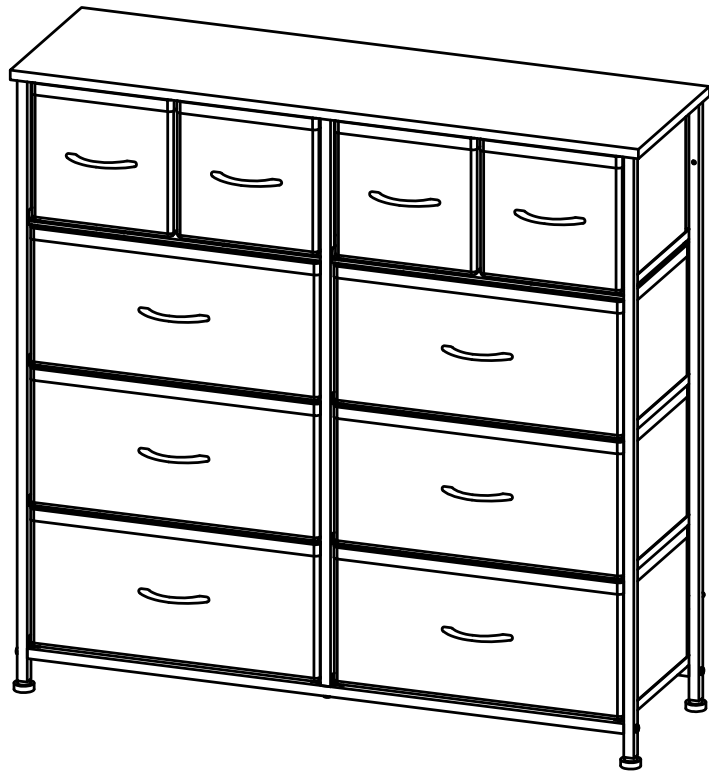
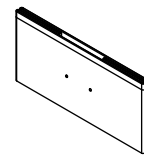


ASSEMBLY INSTRUCTIONS



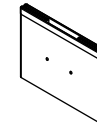
Board Identification

Not actual size



Big Drawer

① 6pcs



Small Drawer

② 4pcs



Big Bottom Pad

③ 6pcs



Small Bottom Pad

④ 4pcs



Tie Iron Sheet

⑤ 2pcs



Top Board

⑥ 1pc



Left Piece

⑦ 1pc



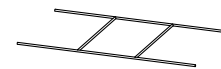
Right Piece

⑧ 1pc



Middle Piece

⑨ 1pc



Tie Piece

⑩ 2pcs



Connecting Pole

⑪ 1pc



Connecting Pole

⑫ 1pc



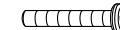
Handle

⑬ 10pcs



M4x8mm

⑭ 20+1pcs



M6x35mm

⑮ 6+1pcs

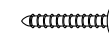


M6x12mm

⑯ 10+1pcs



⑰ 2pcs



M4x45mm

⑱ 2pcs

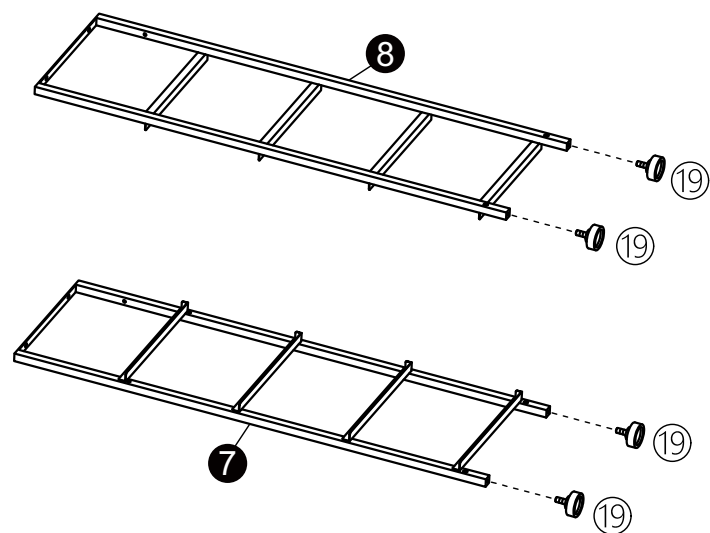
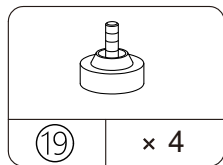


⑲ 4pcs

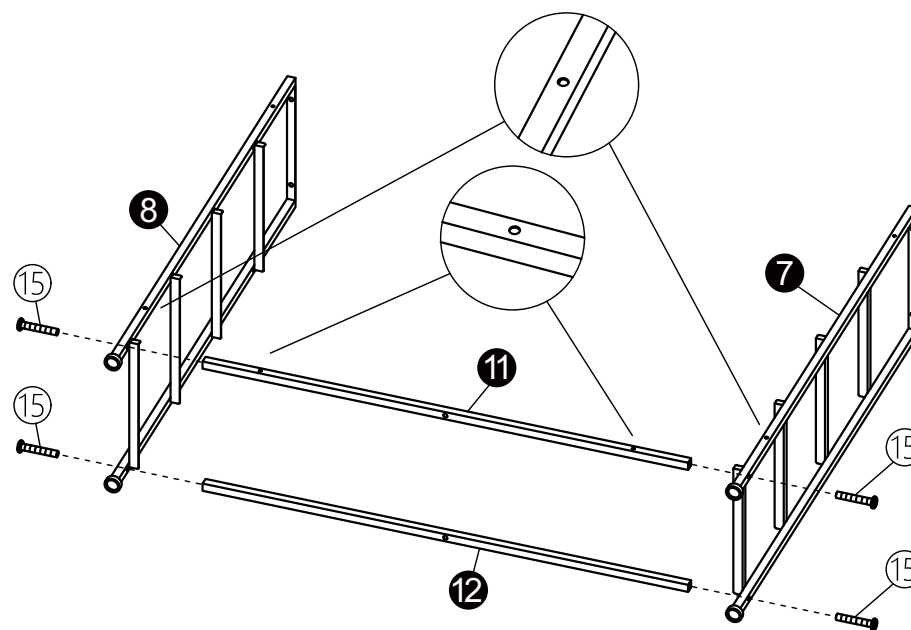
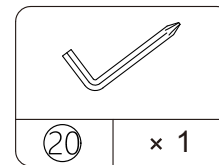
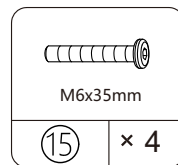


⑳ 1pc

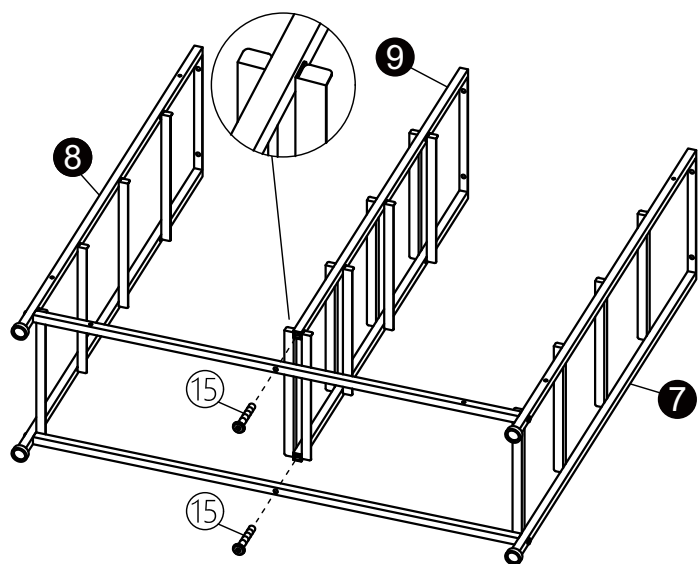
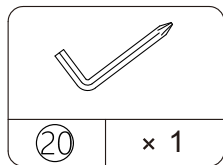
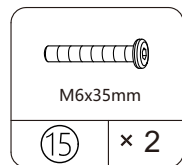
STEP 1



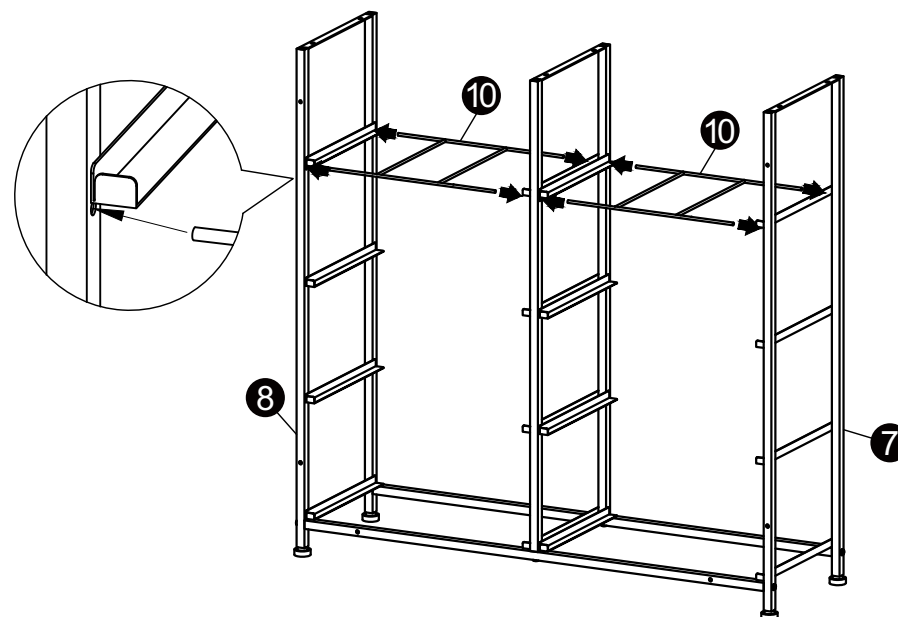
STEP 2



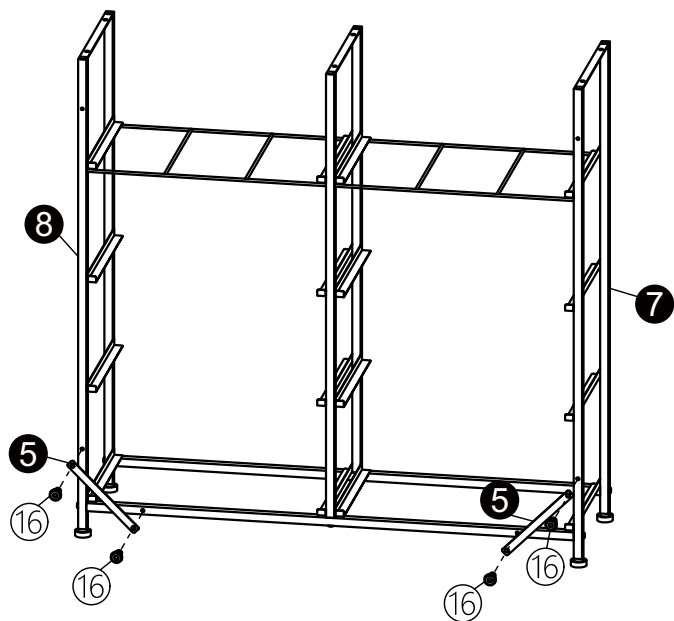
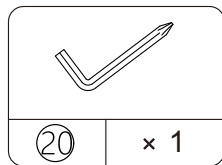
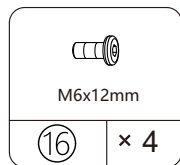
STEP 3



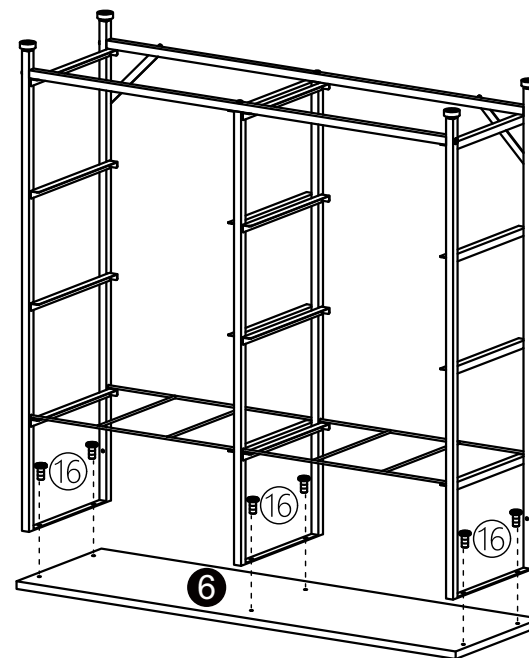
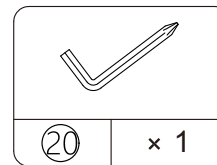
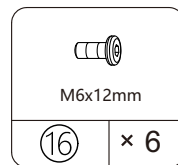
STEP 4



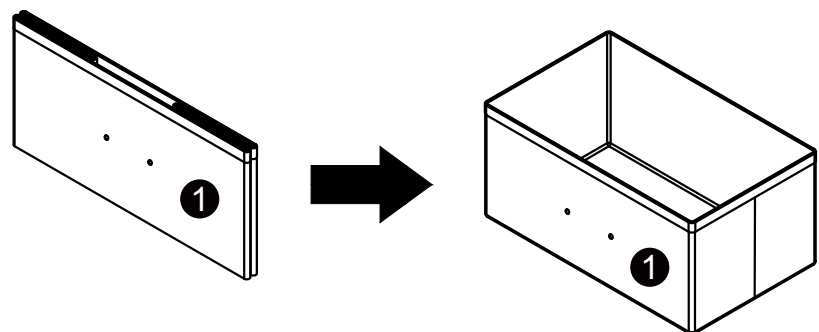
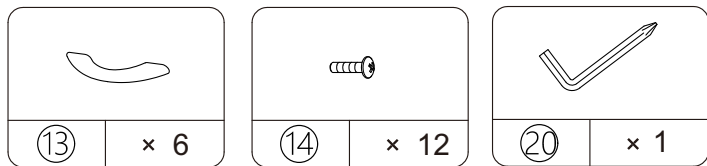
STEP 5



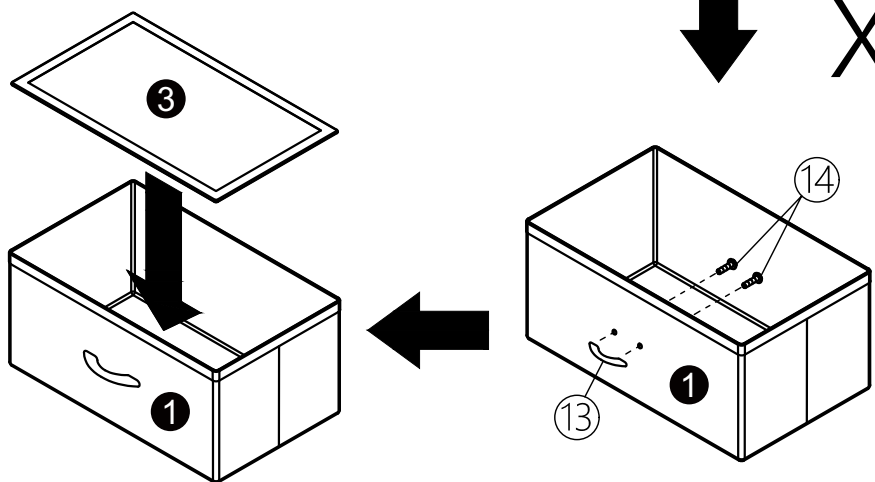
STEP 6



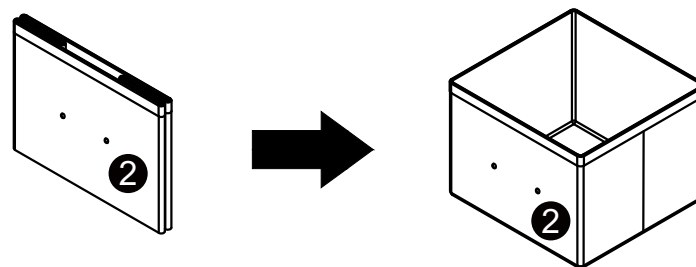
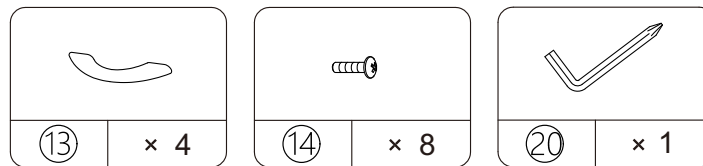
STEP 7



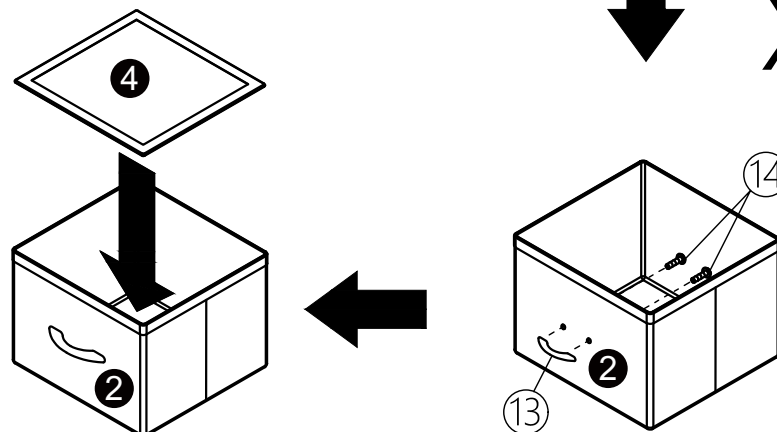
↓ x6



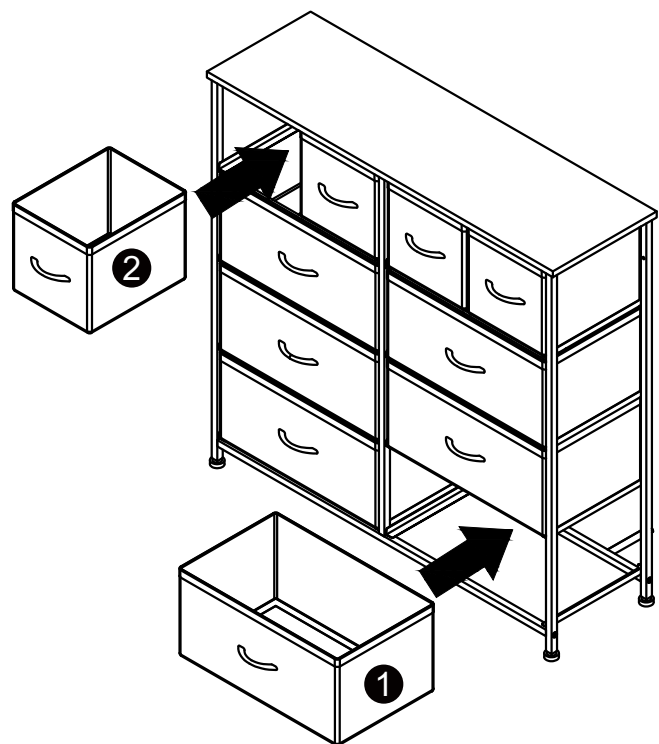
STEP 8



↓ x4



STEP 9



STEP 10

