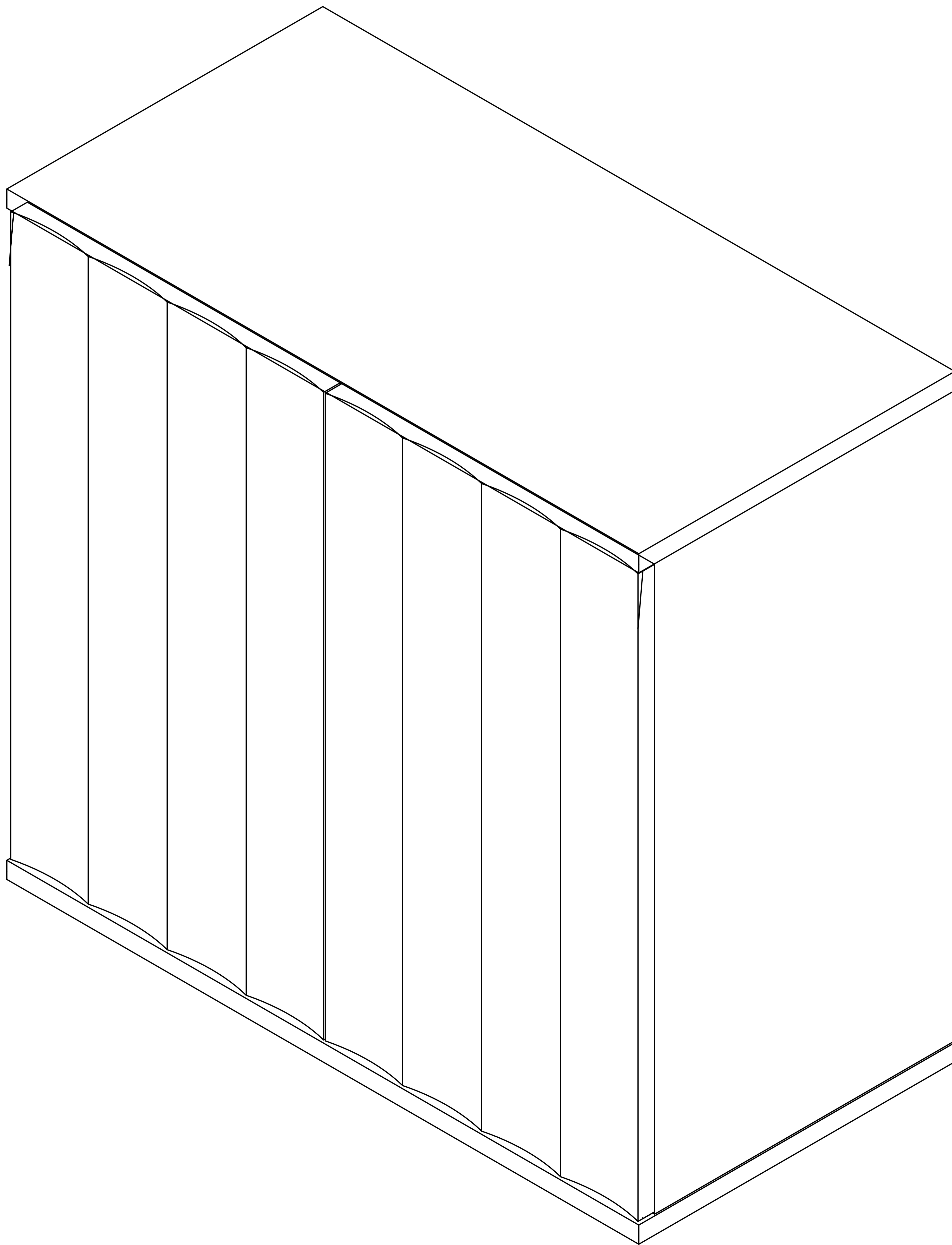
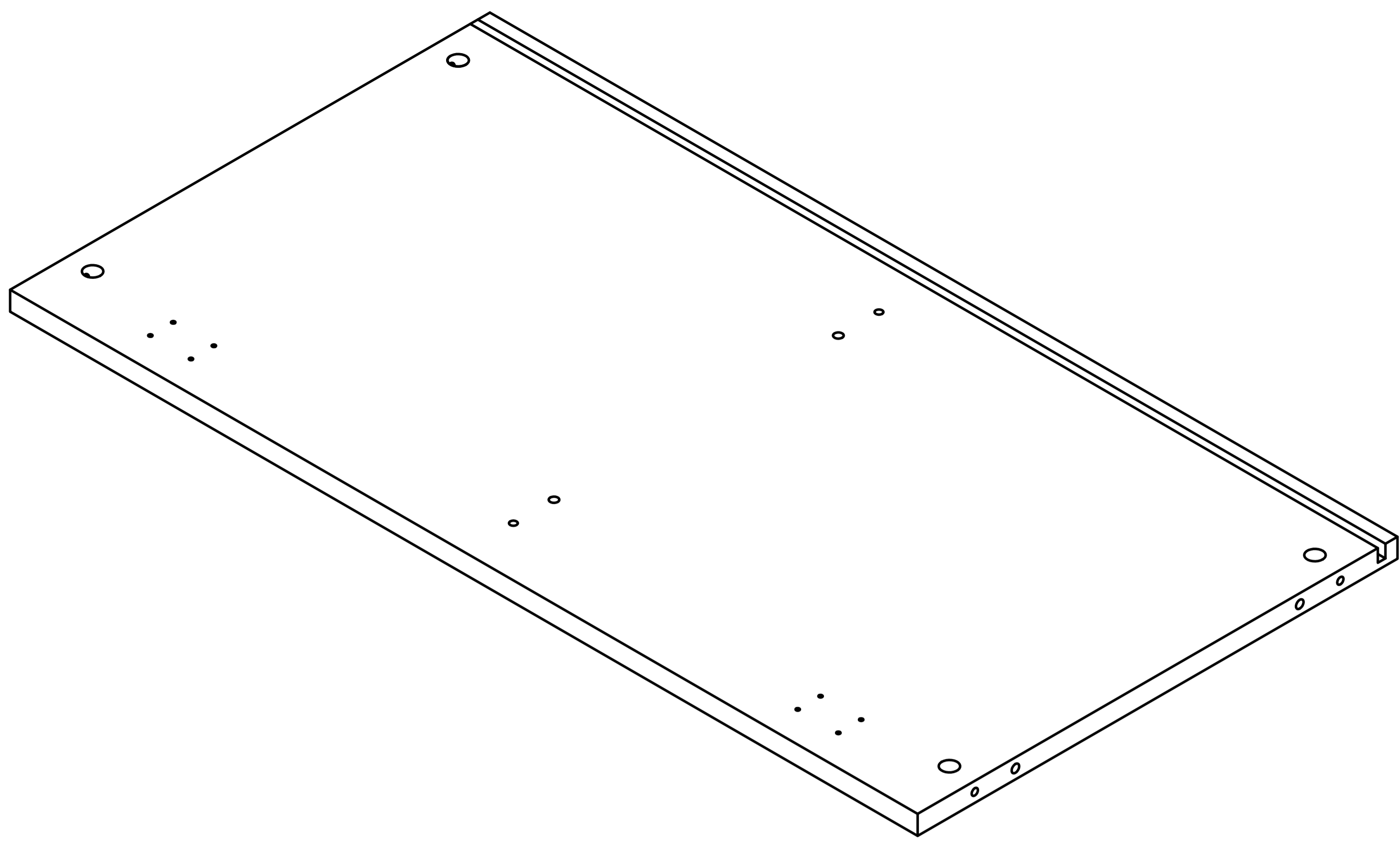
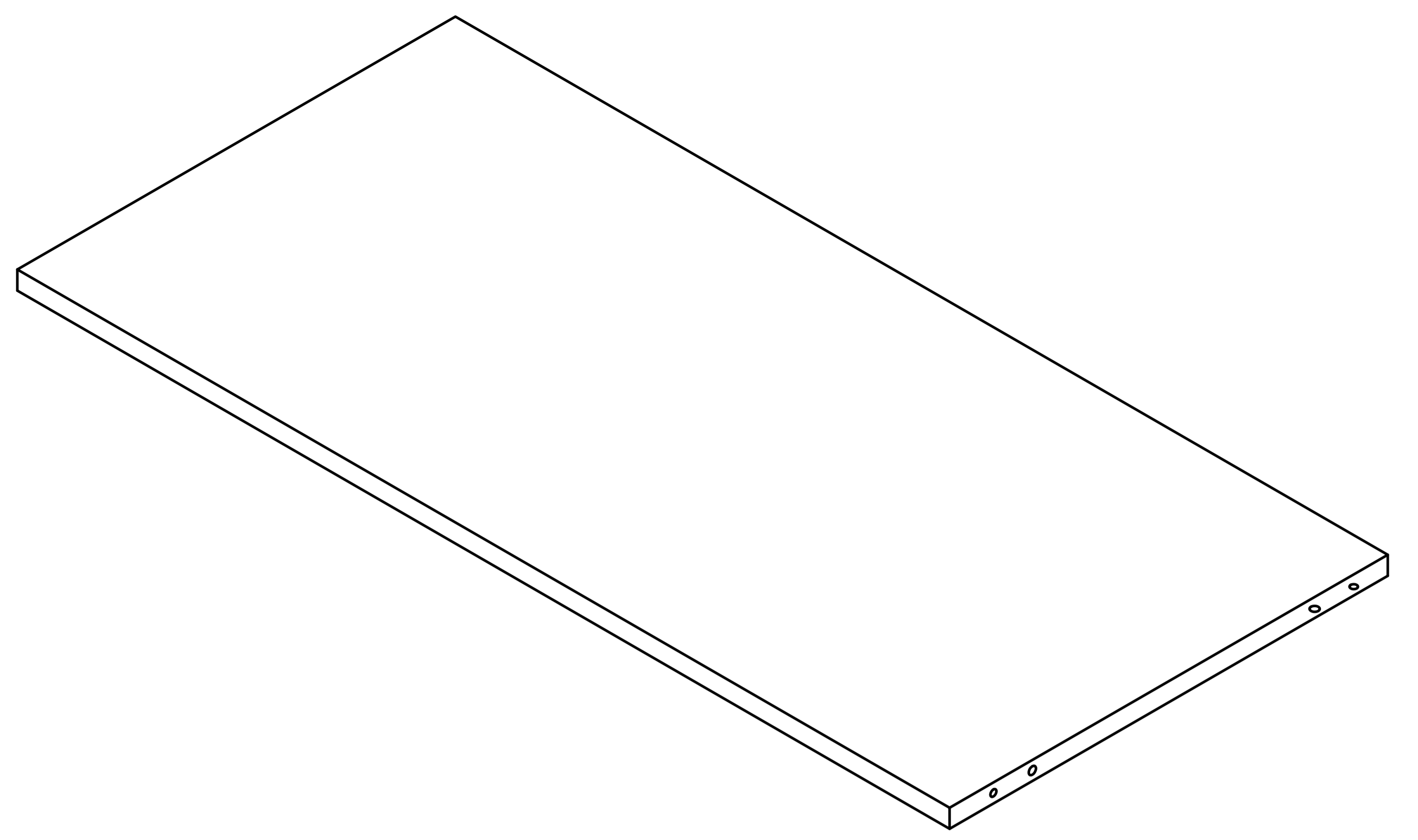


Product Installation Instructions

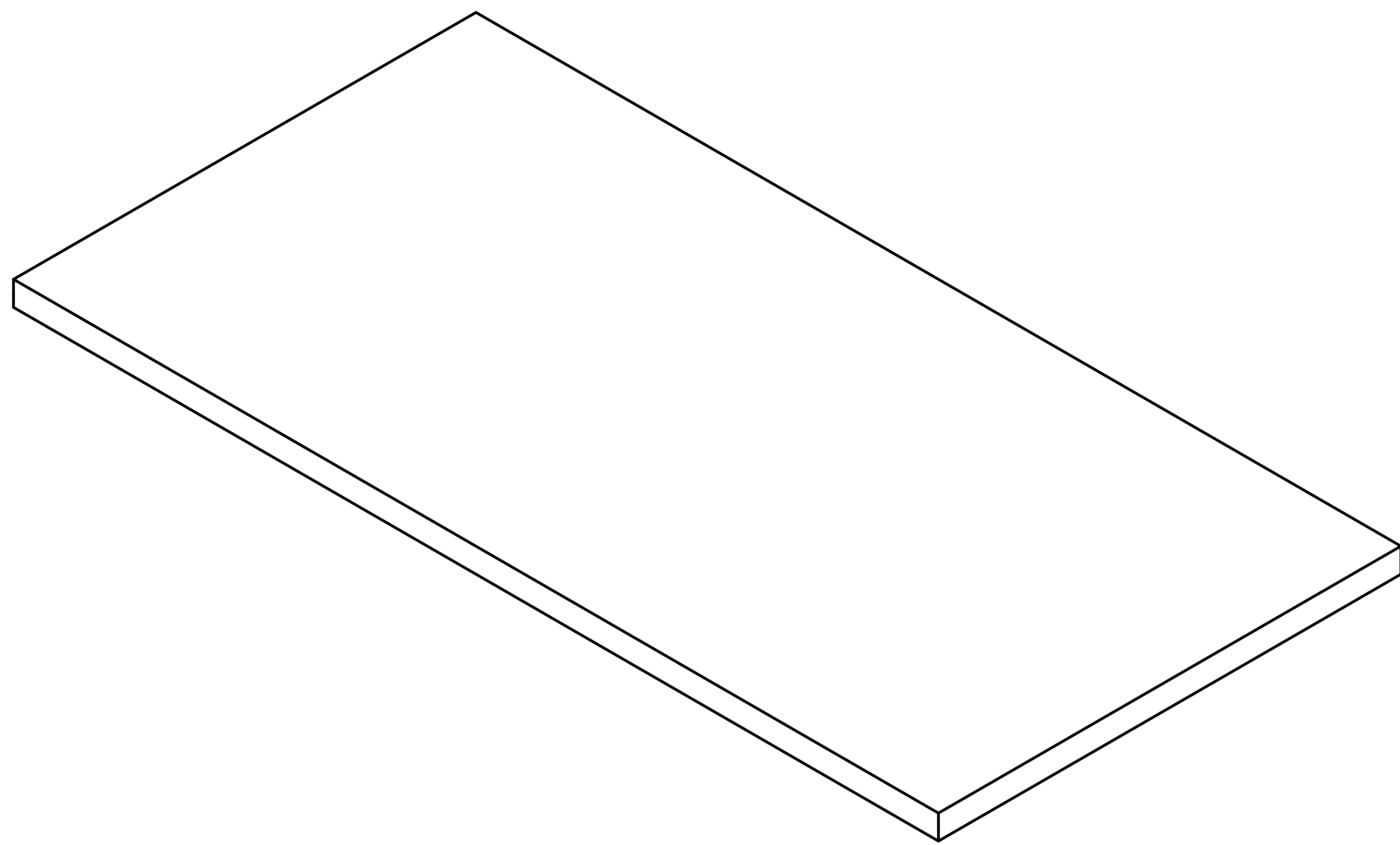




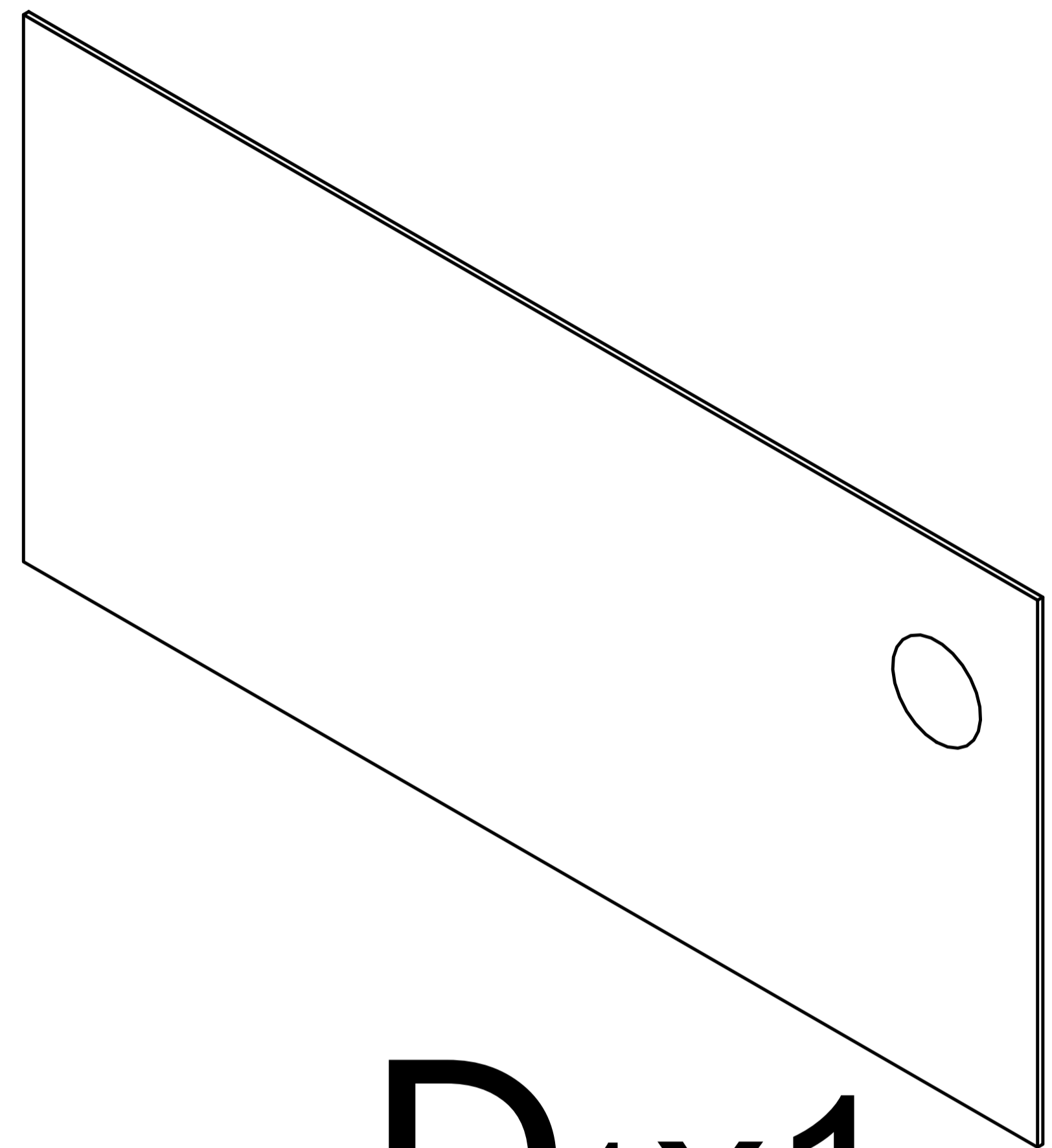
A x2



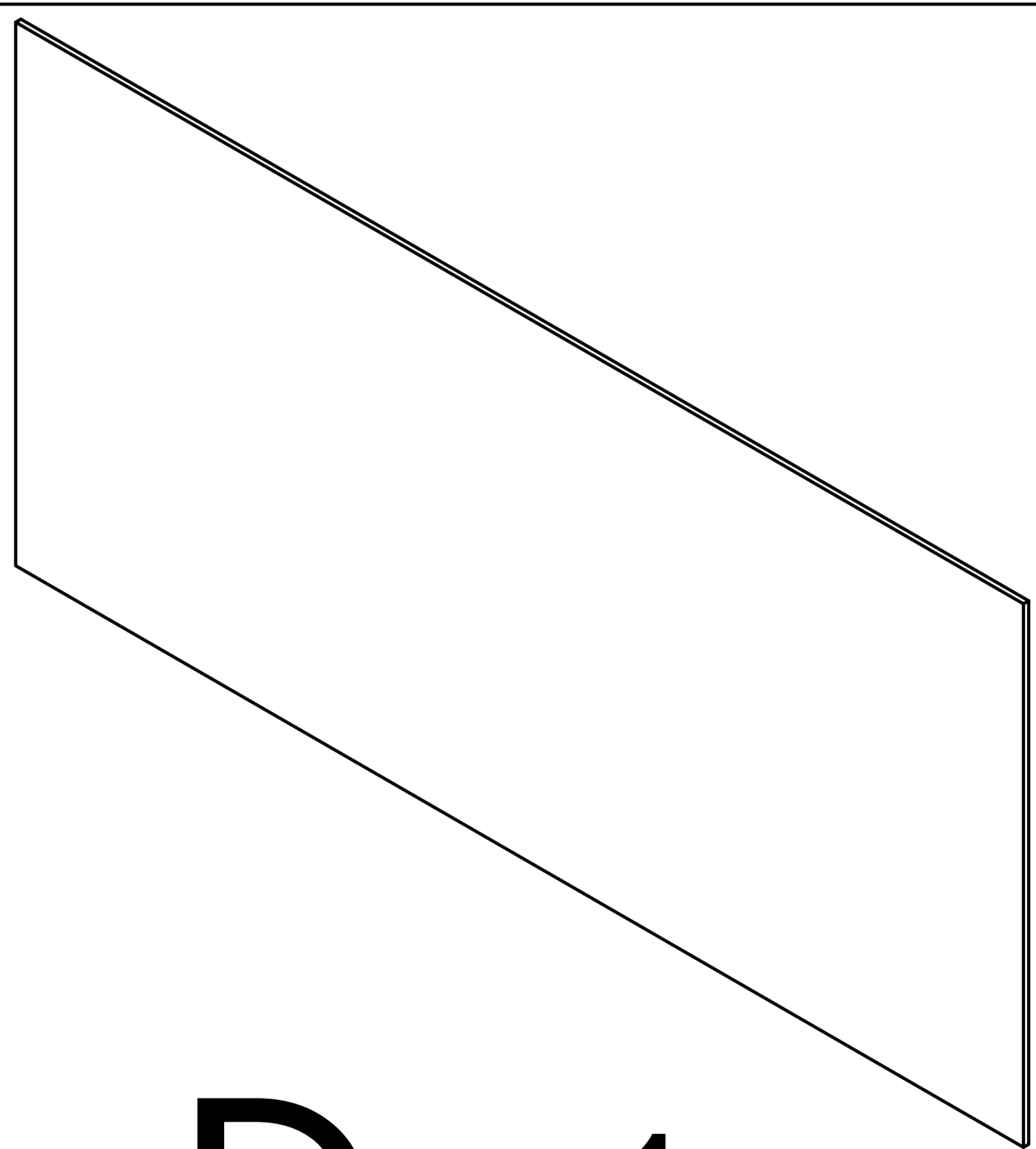
B x1



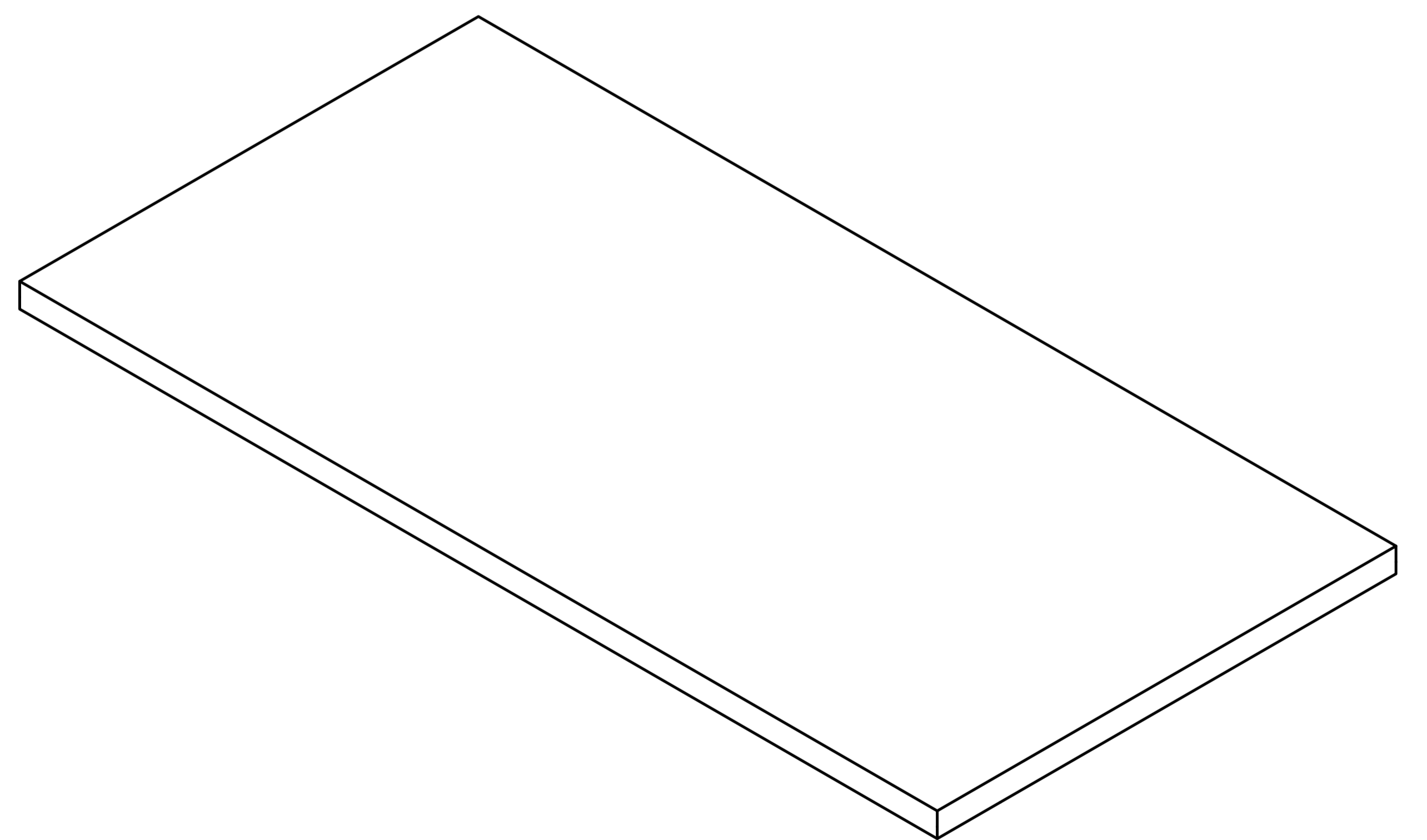
C x1



D₁x1



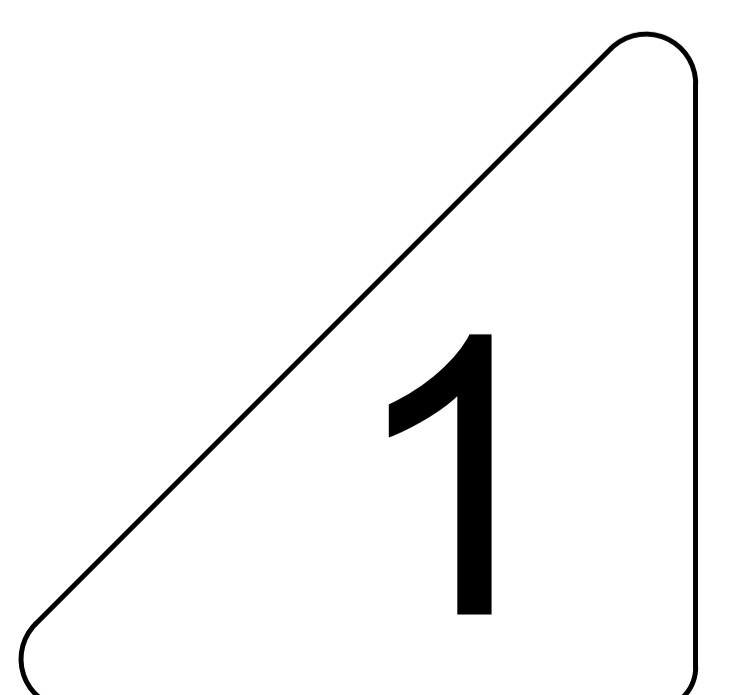
D₂x1



E x1

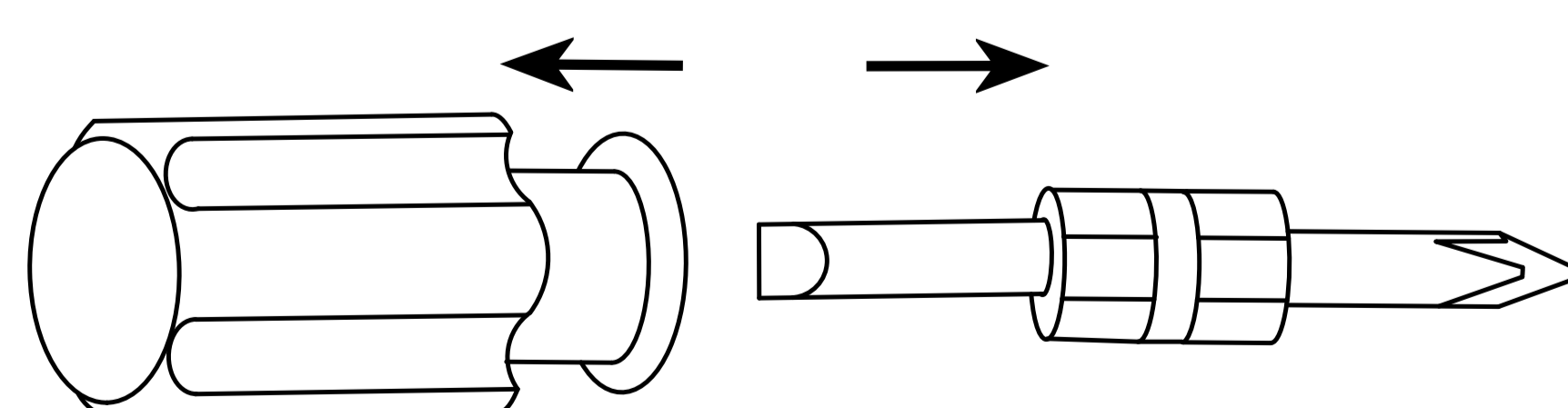
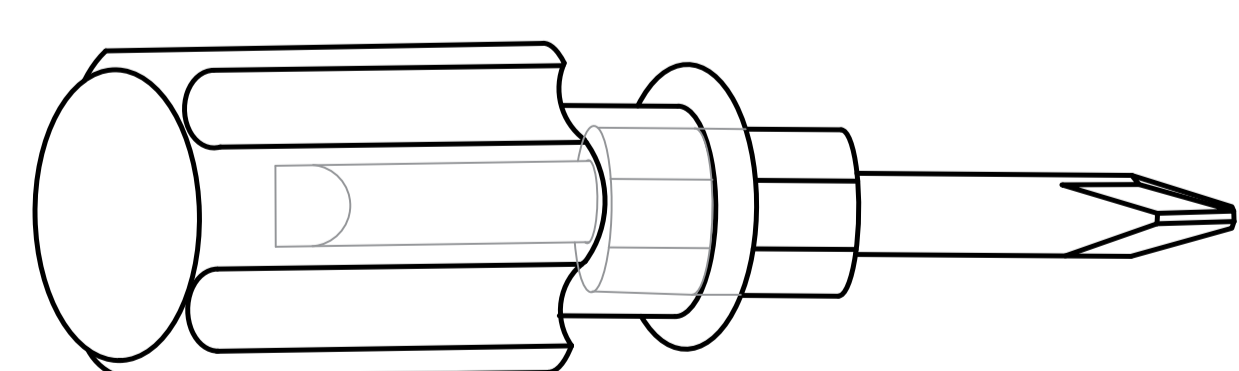


F x2



Accessories list

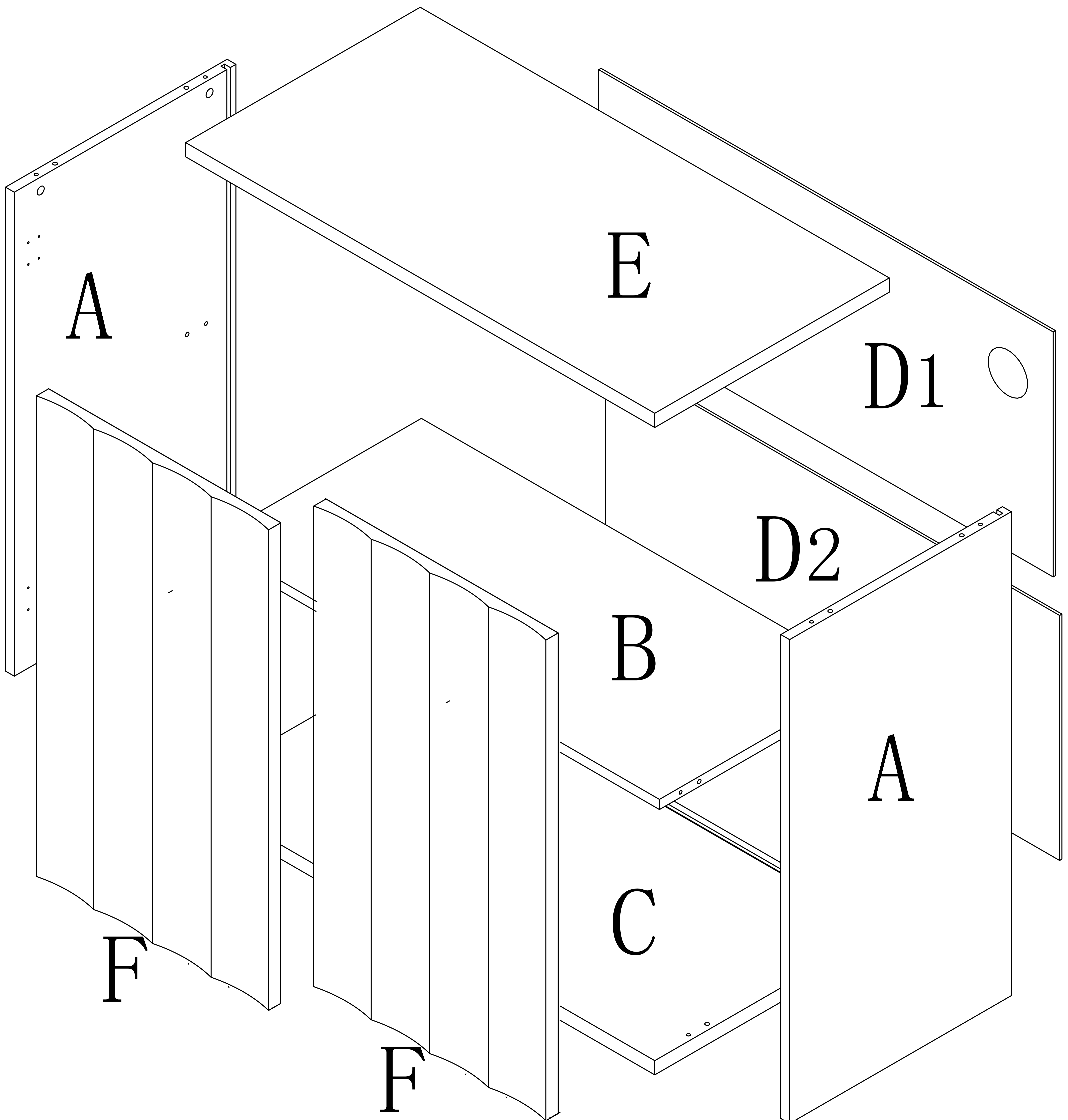
①		Two In One Screw (6x28mm)	12pcs +2pcs
②		Two In One Nut (10x12mm)	12pcs +2pcs
③		Wood Chipping (6x30mm)	12pcs +2pcs
④		Cabinet door rebound device Screw (3.5x12mm)	4pcs +2pcs 2pcs
⑤		Hinge & Screw (3.5x14mm)	24pcs +2pcs 4pcs
⑥		Fixing clip & screw (3x16mm)	6pcs +2pcs
⑦		Non-slip pads (35x35x2mm)	4pcs +2pcs



1 pcs

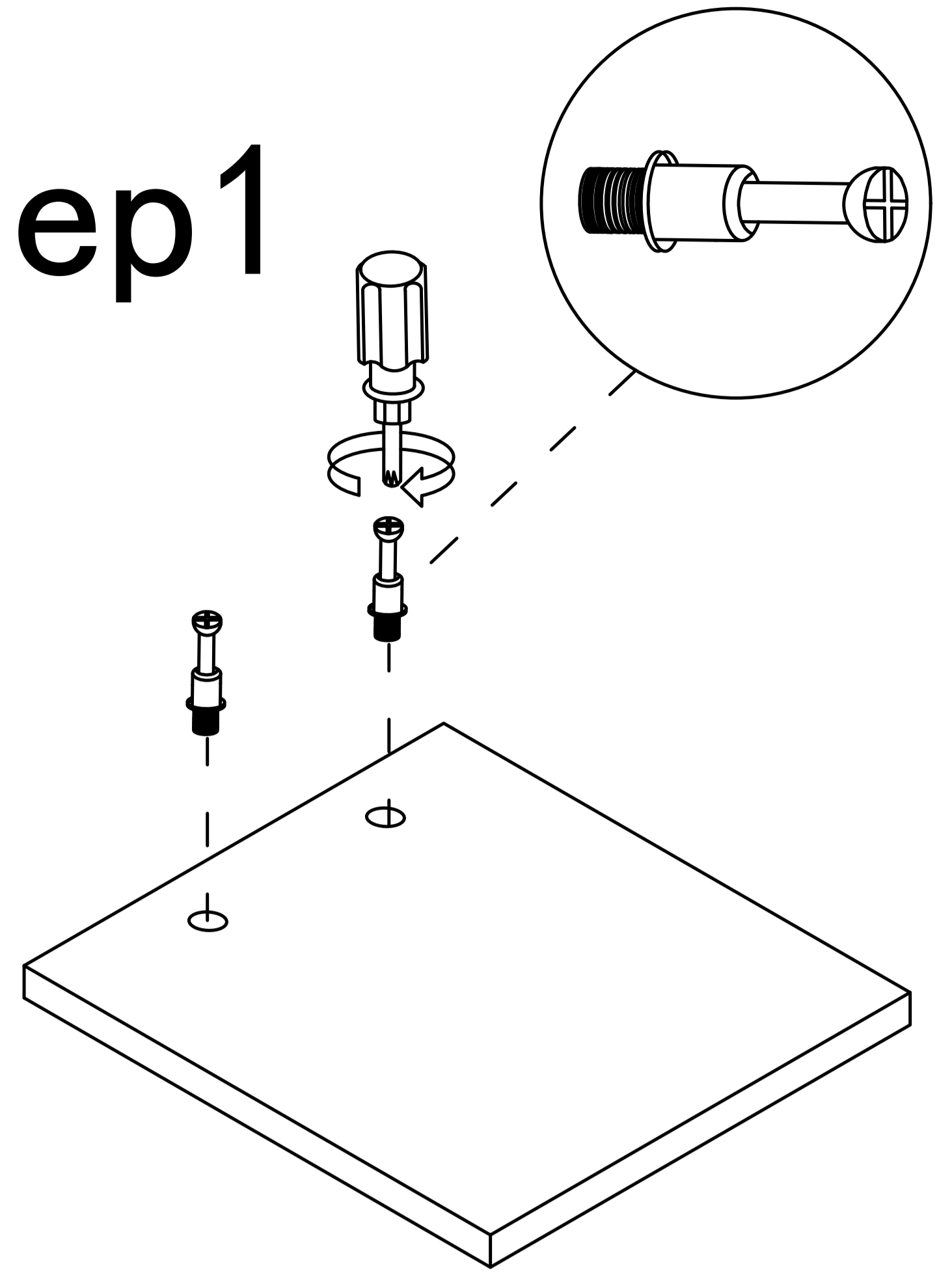
Double-head screwdriver, use as required

Product structure decomposition

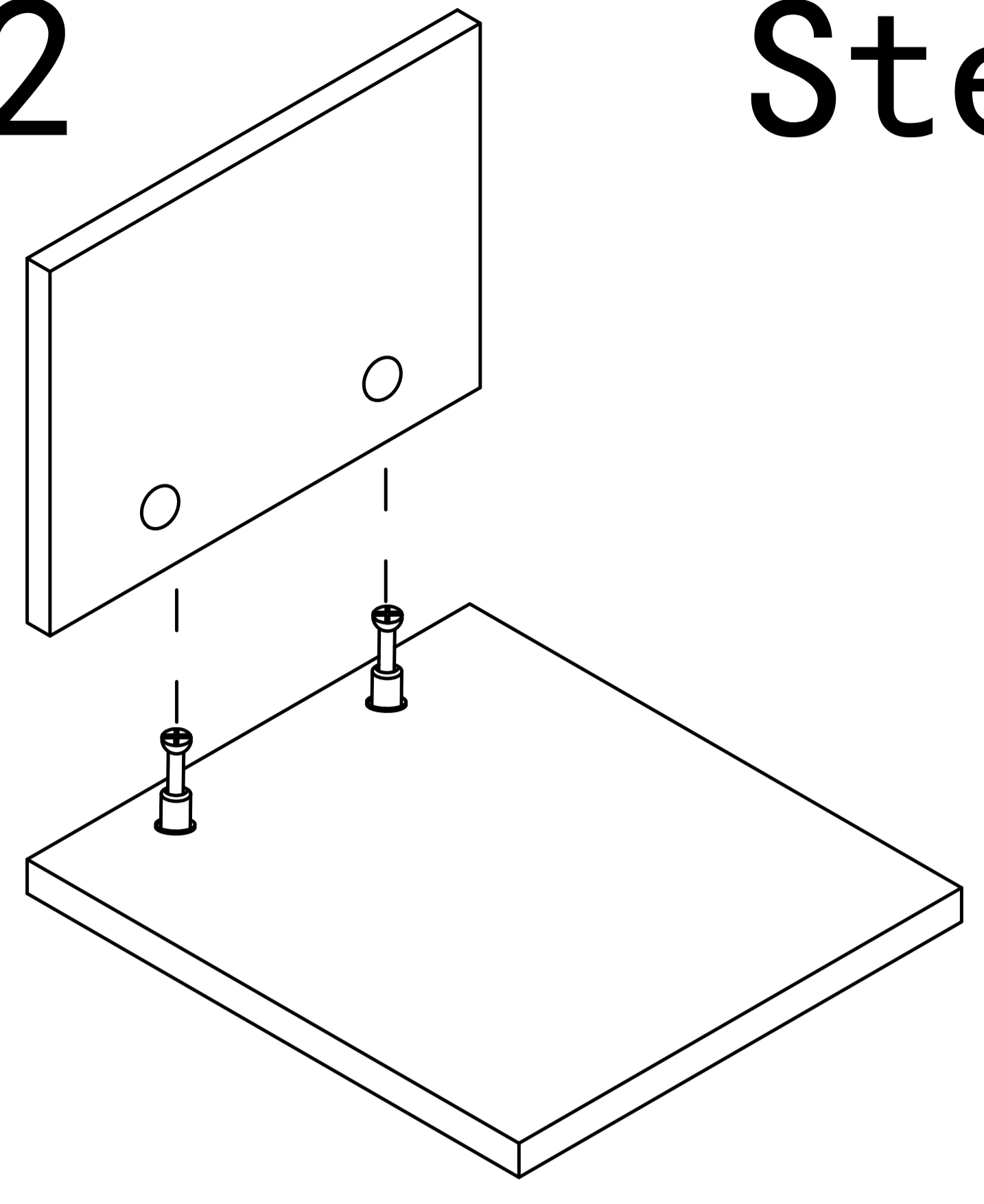


Use parts ① and ②

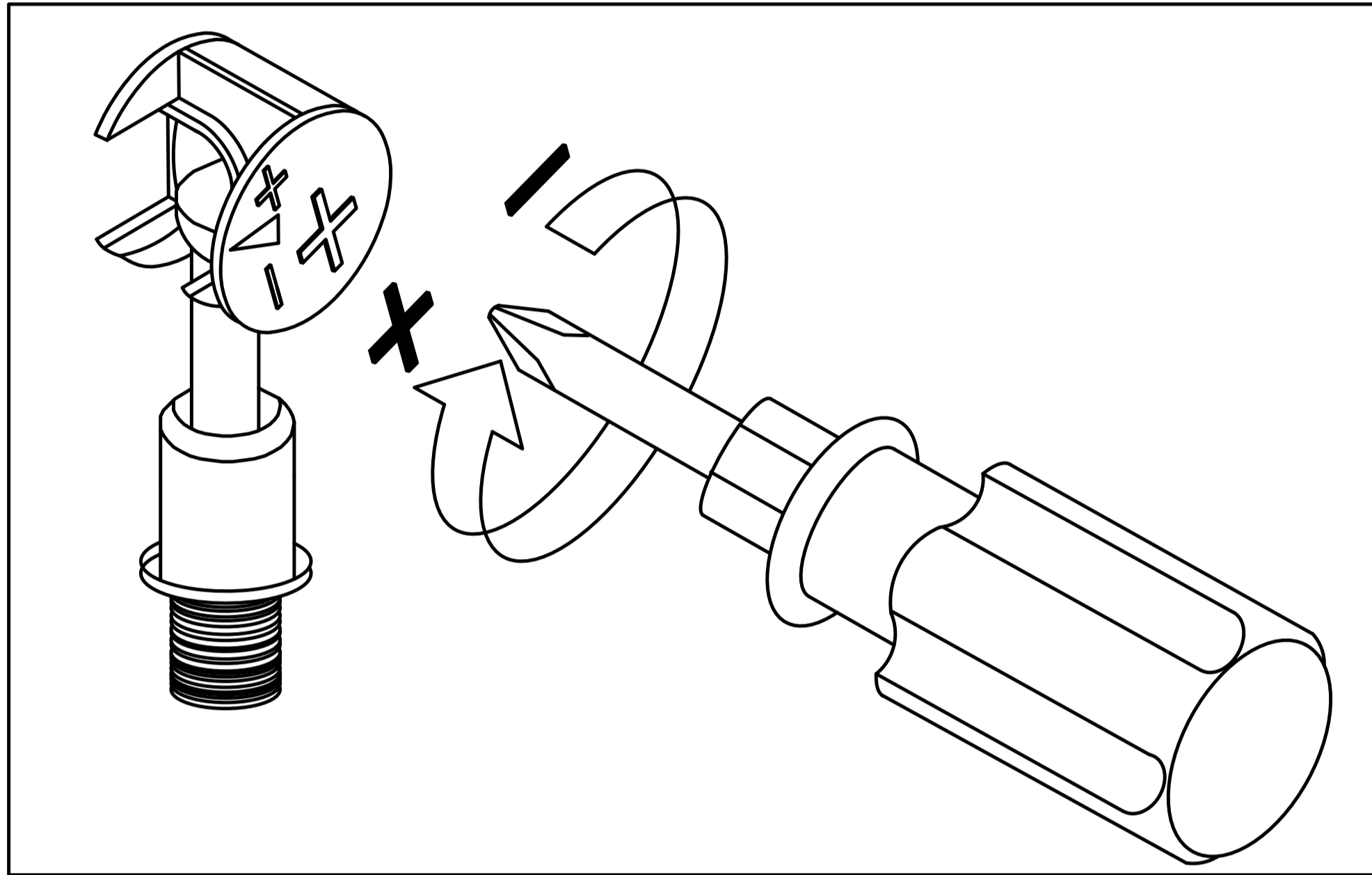
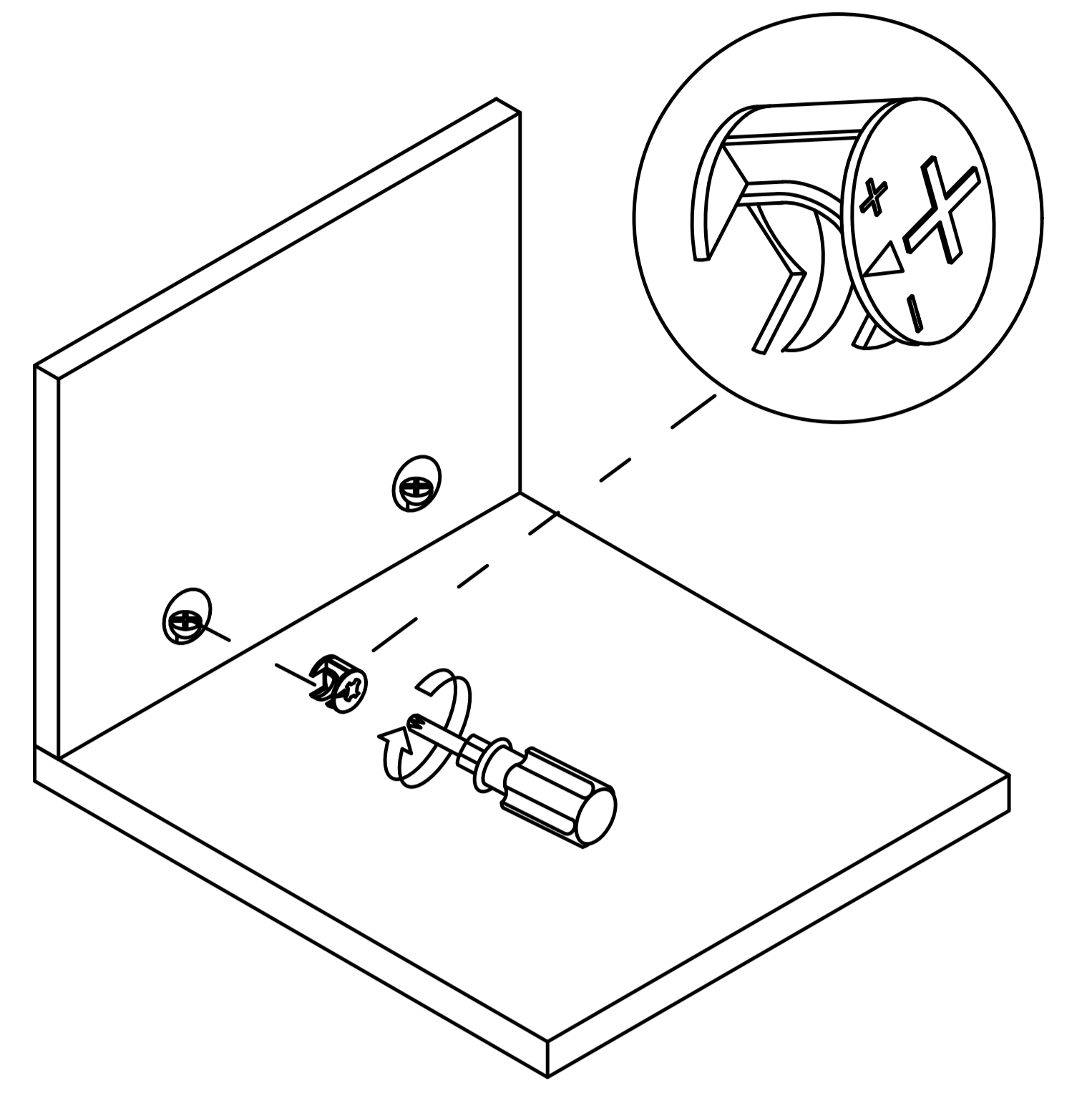
Step 1



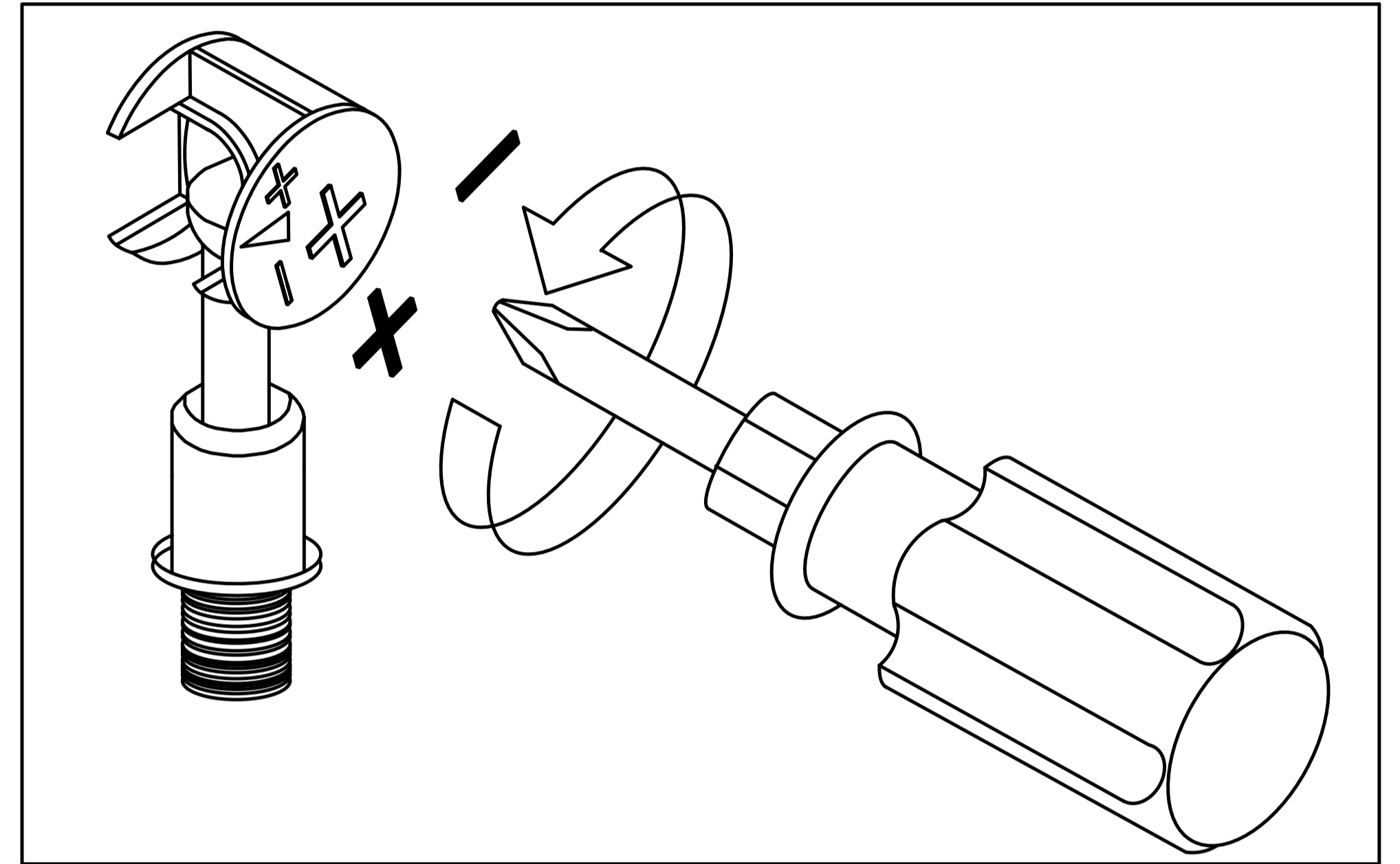
Step 2



Step 3

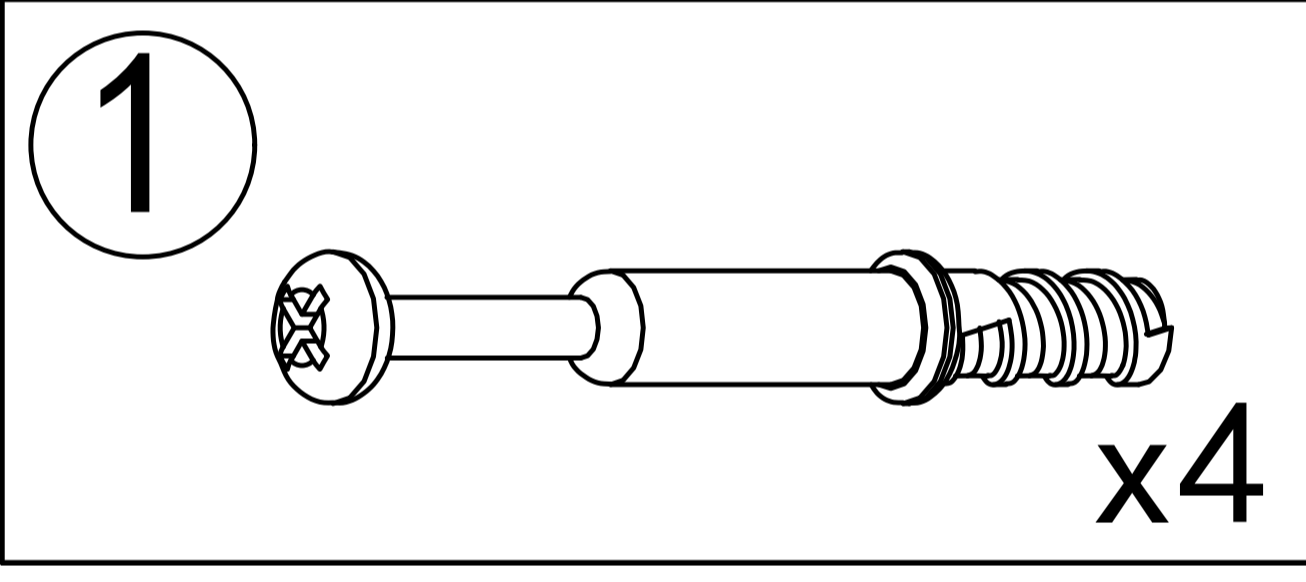
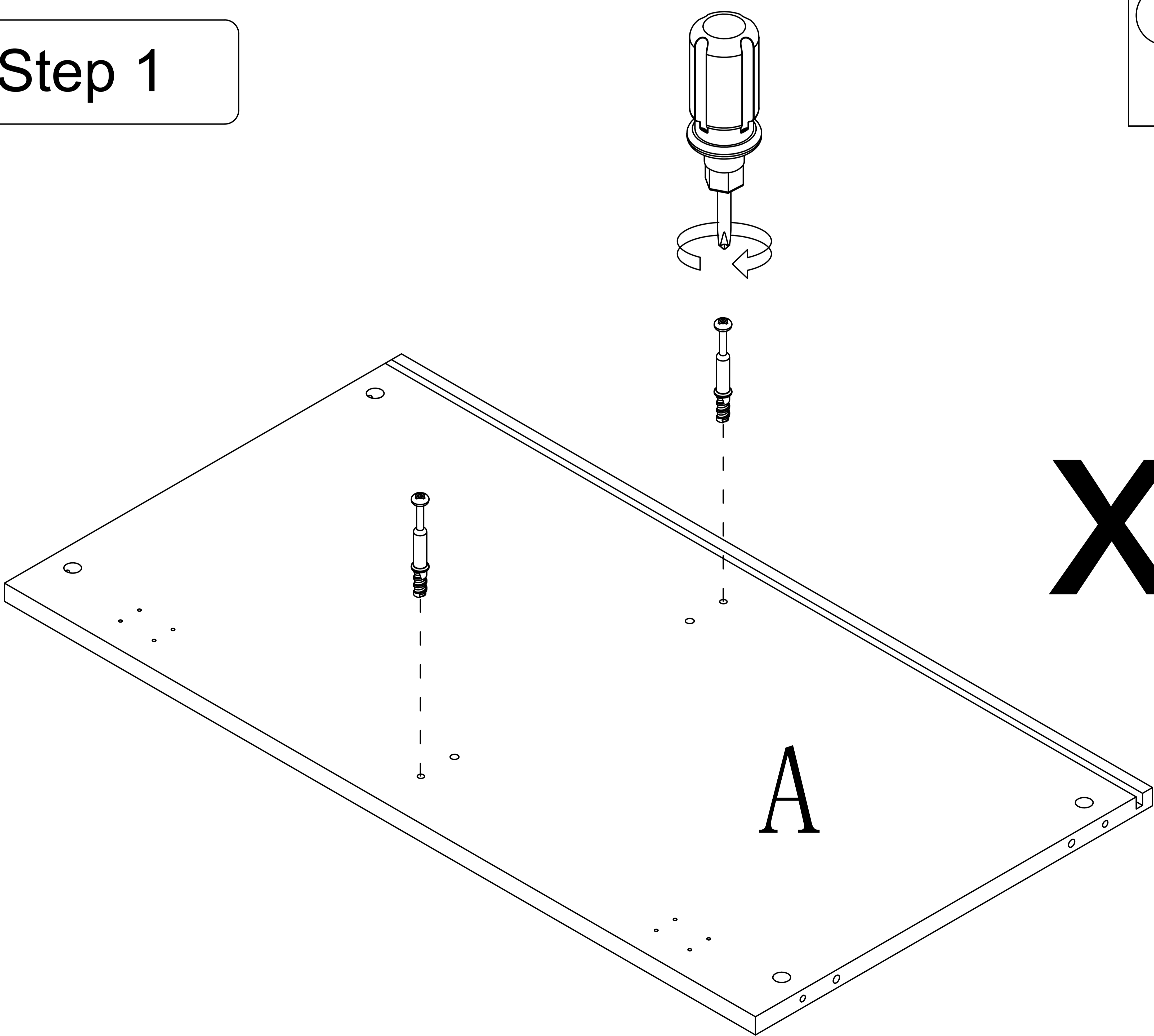


Use a screwdriver to lock in the direction of the "+" sign



Disassemble along the direction of "-" sign

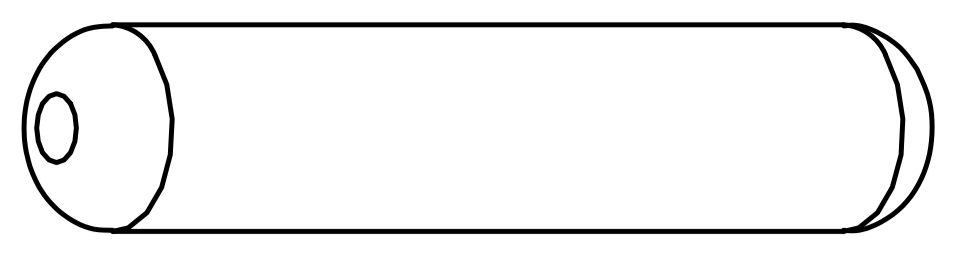
Step 1

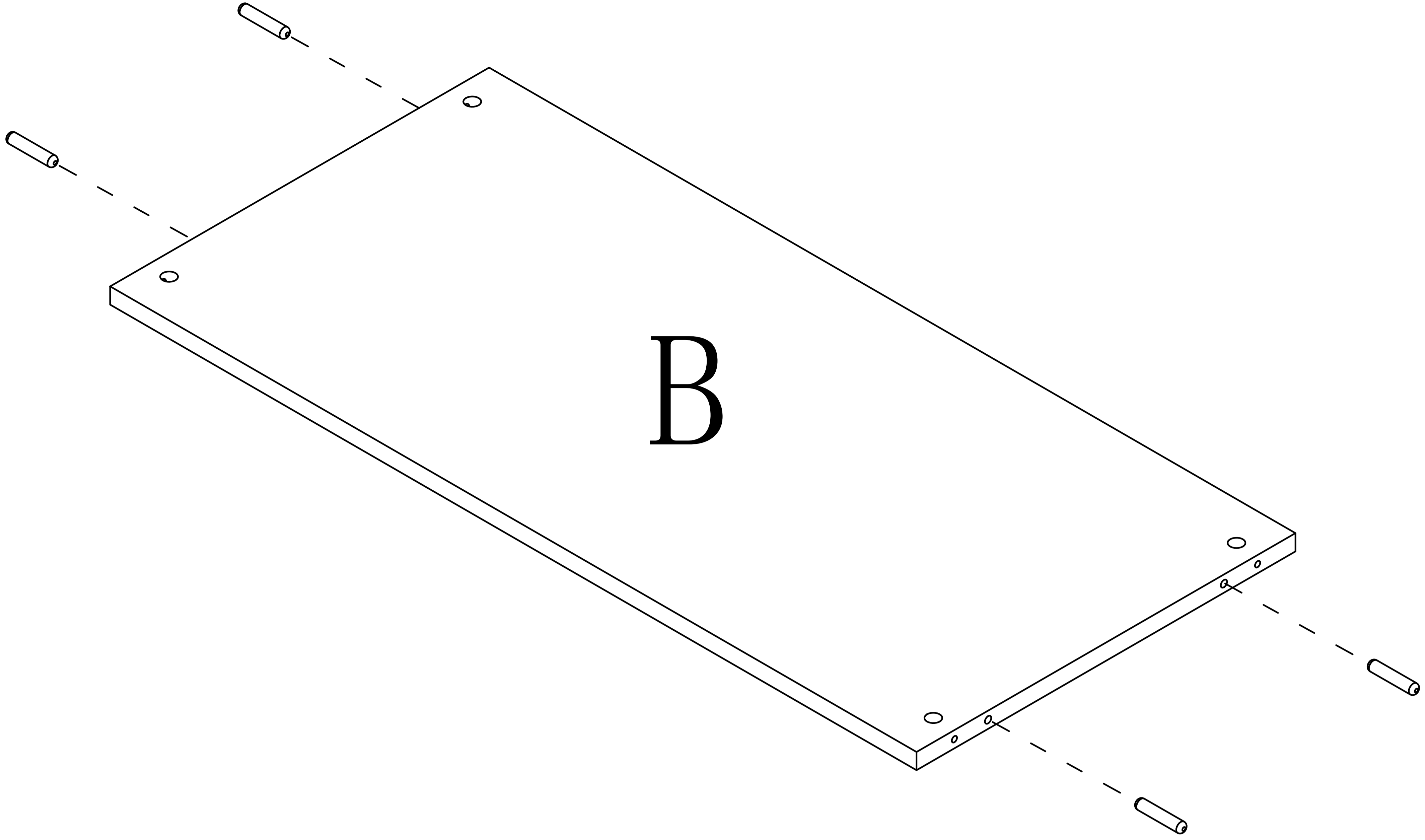


x2

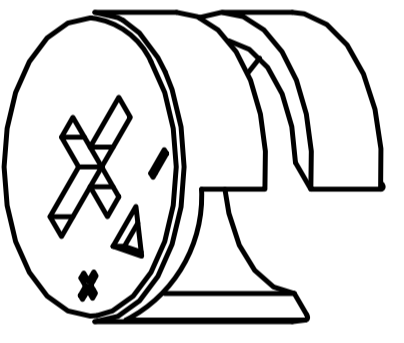
4

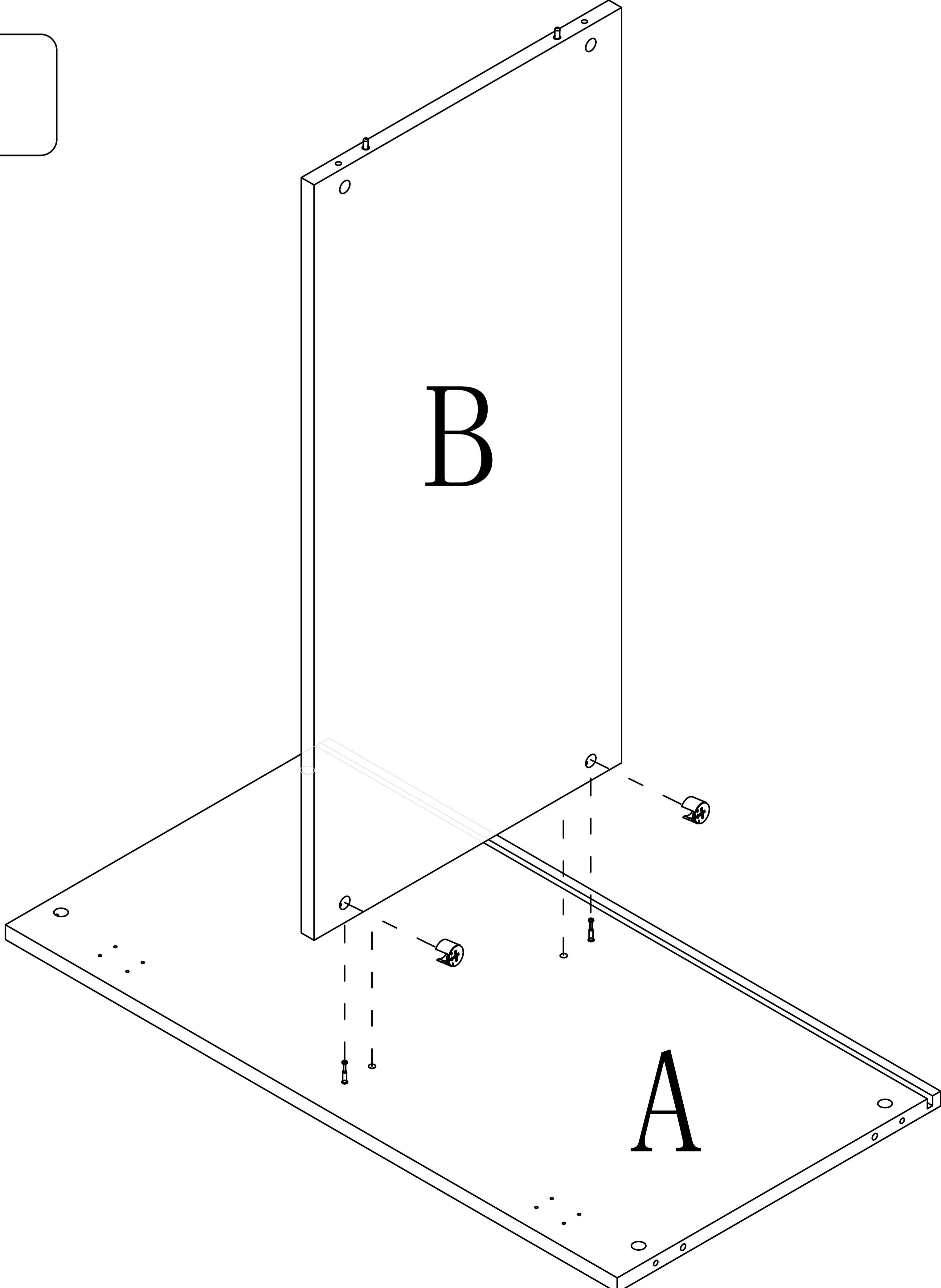
Step 2

3  x4

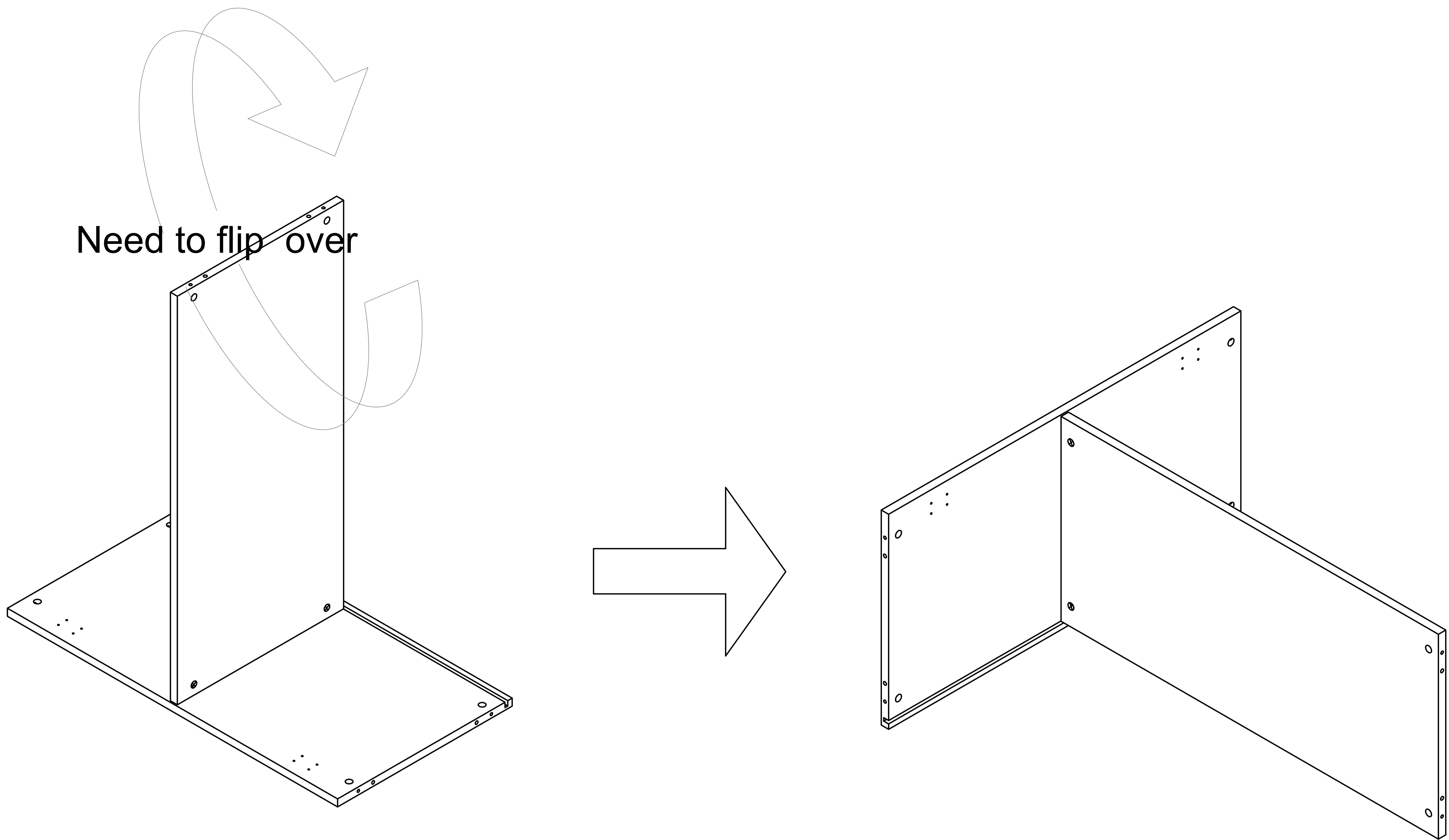


Step 3

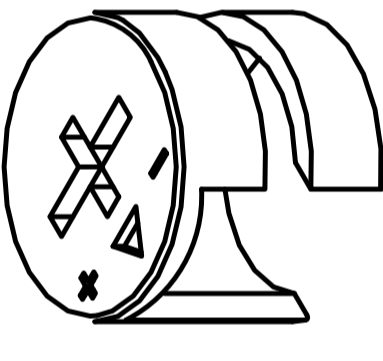
2  x 2

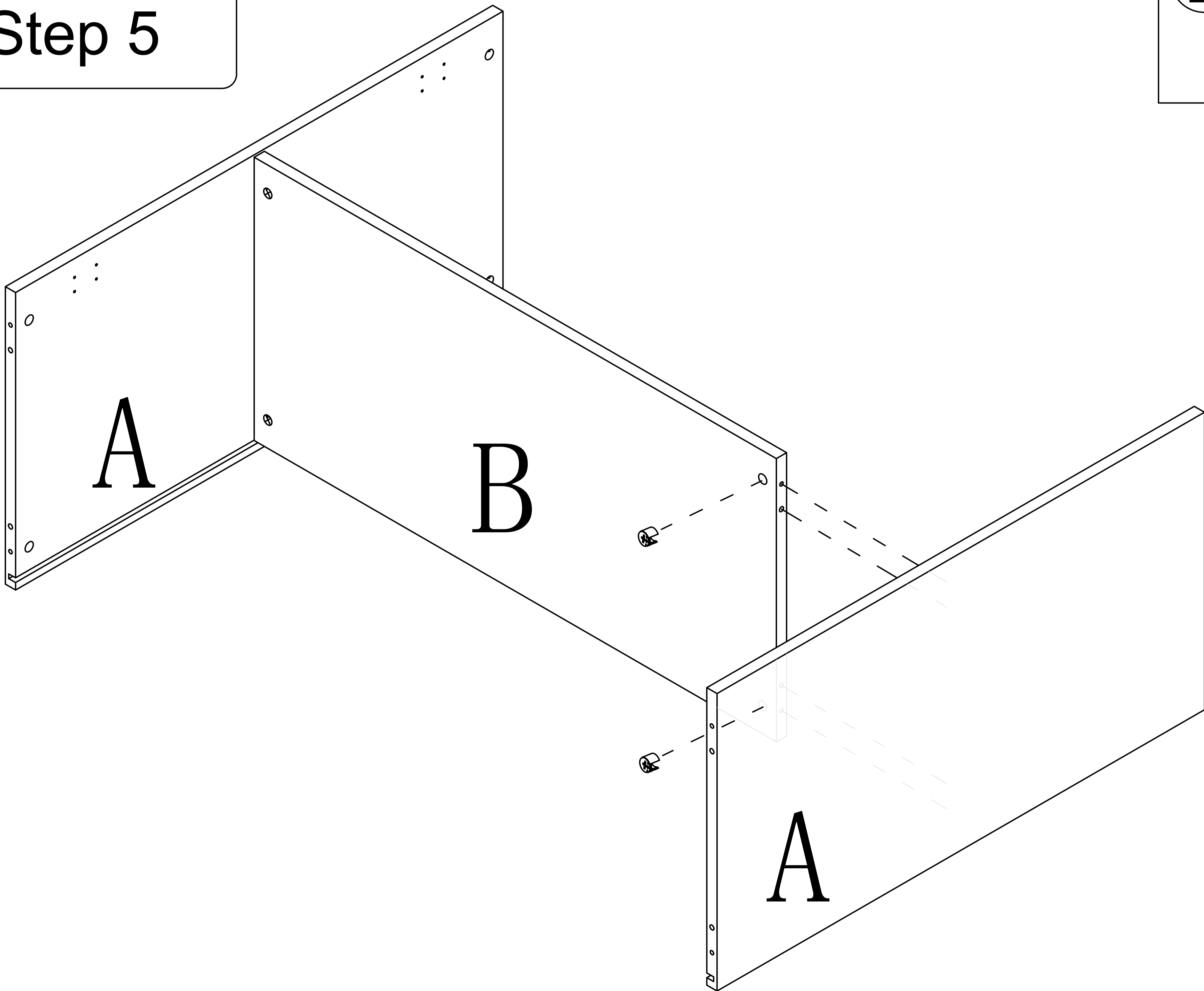


Step 4

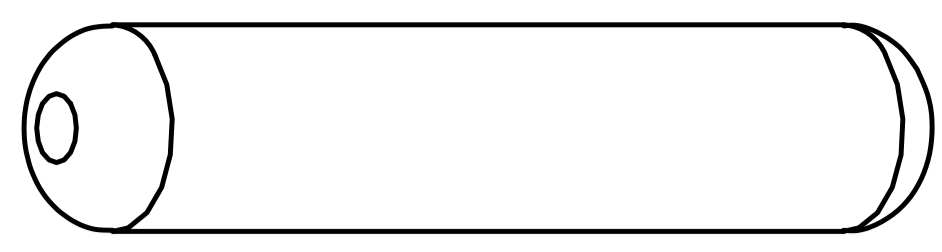


Step 5

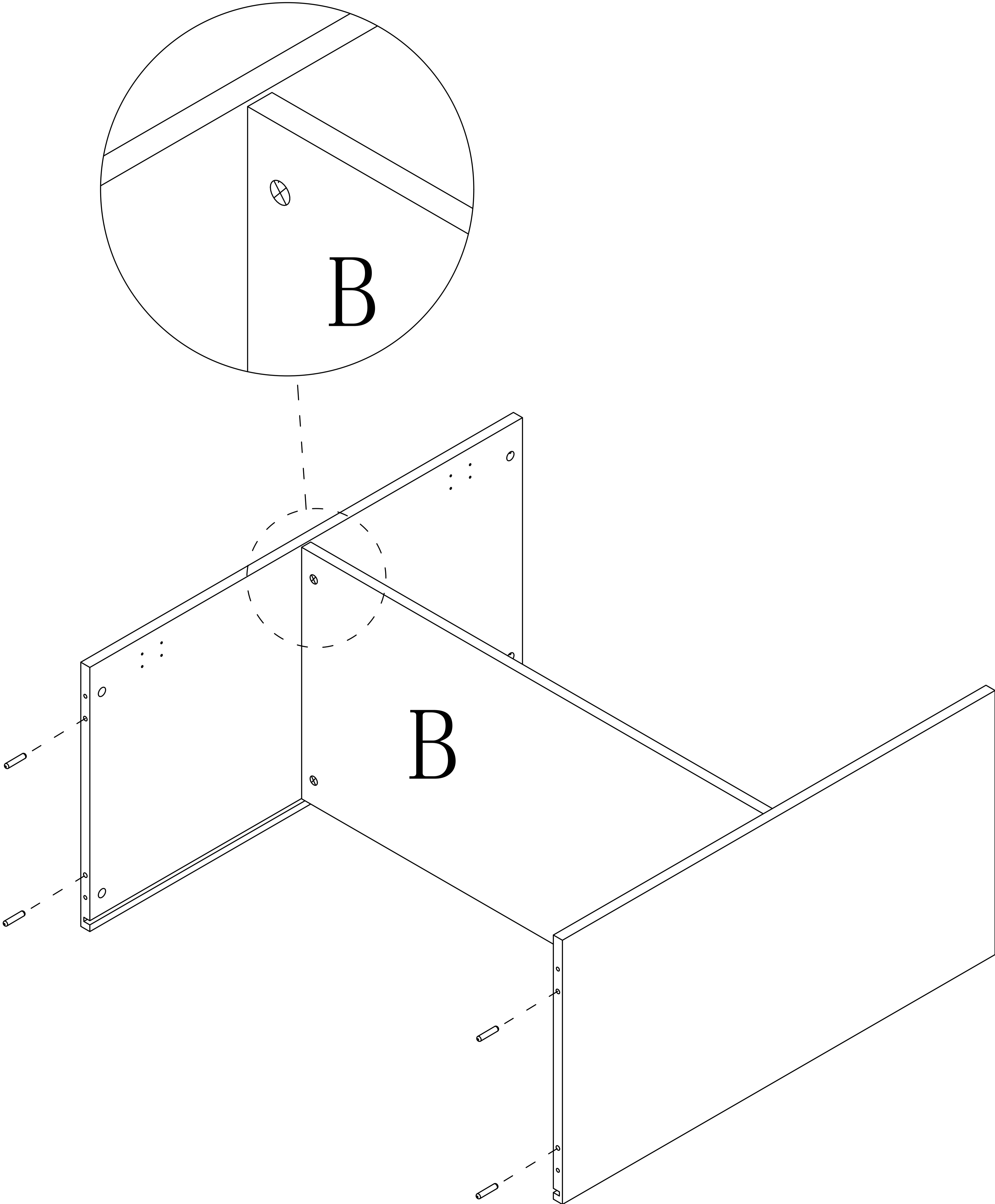
2  x 2



Step 6

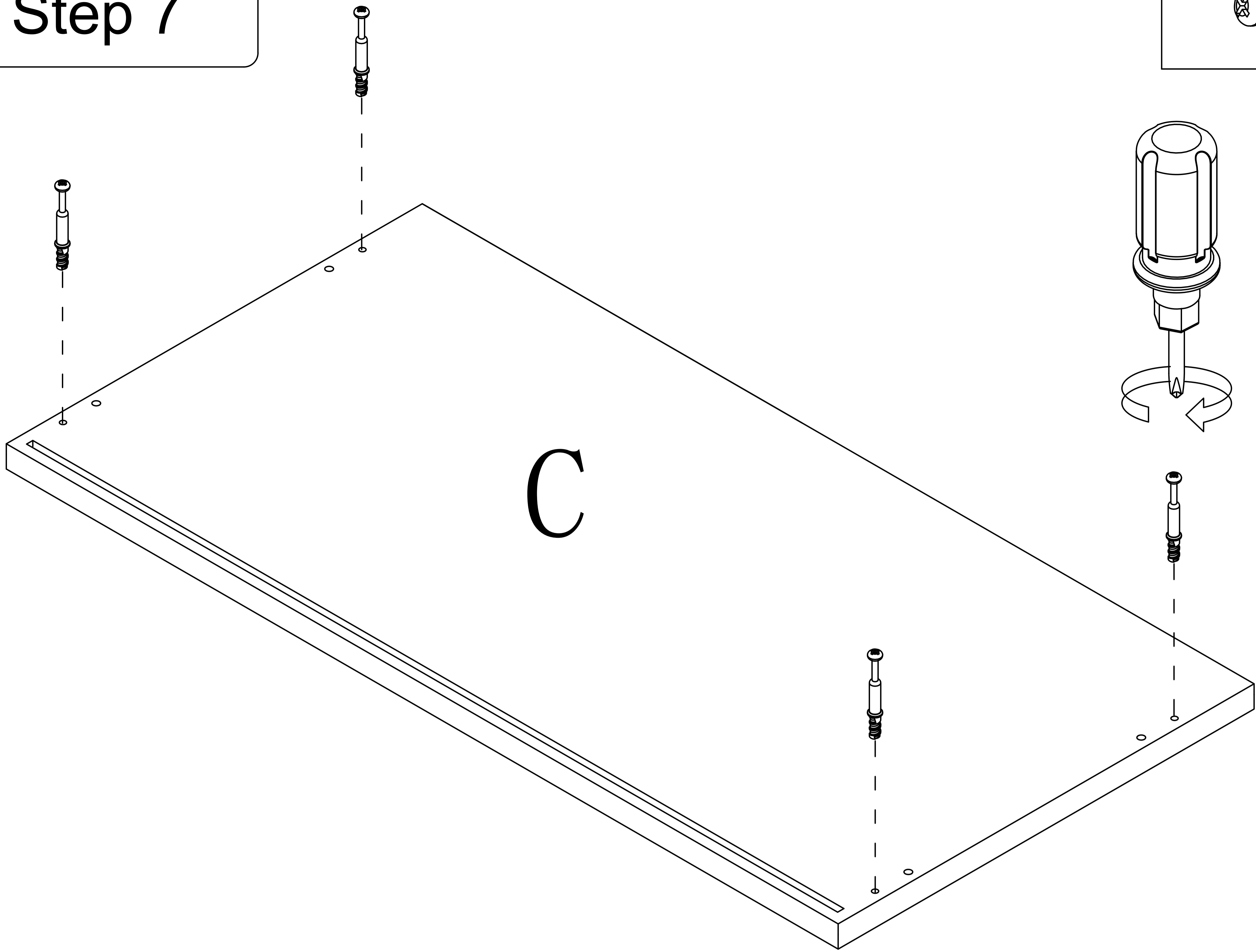
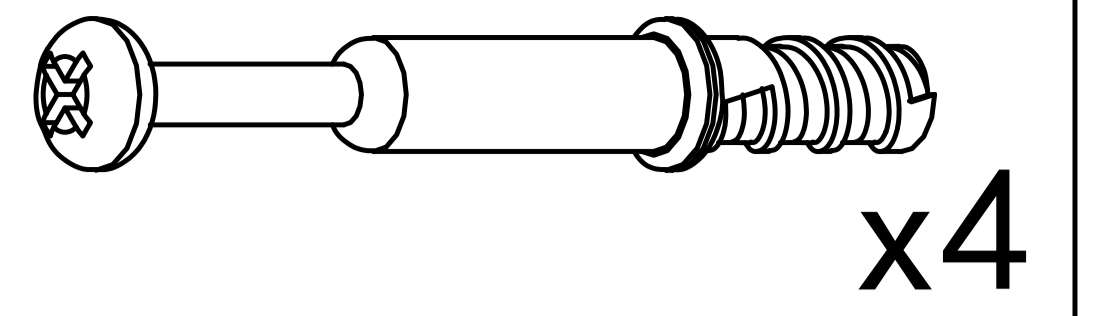
3  x4

Please note the hole direction of the B panel.



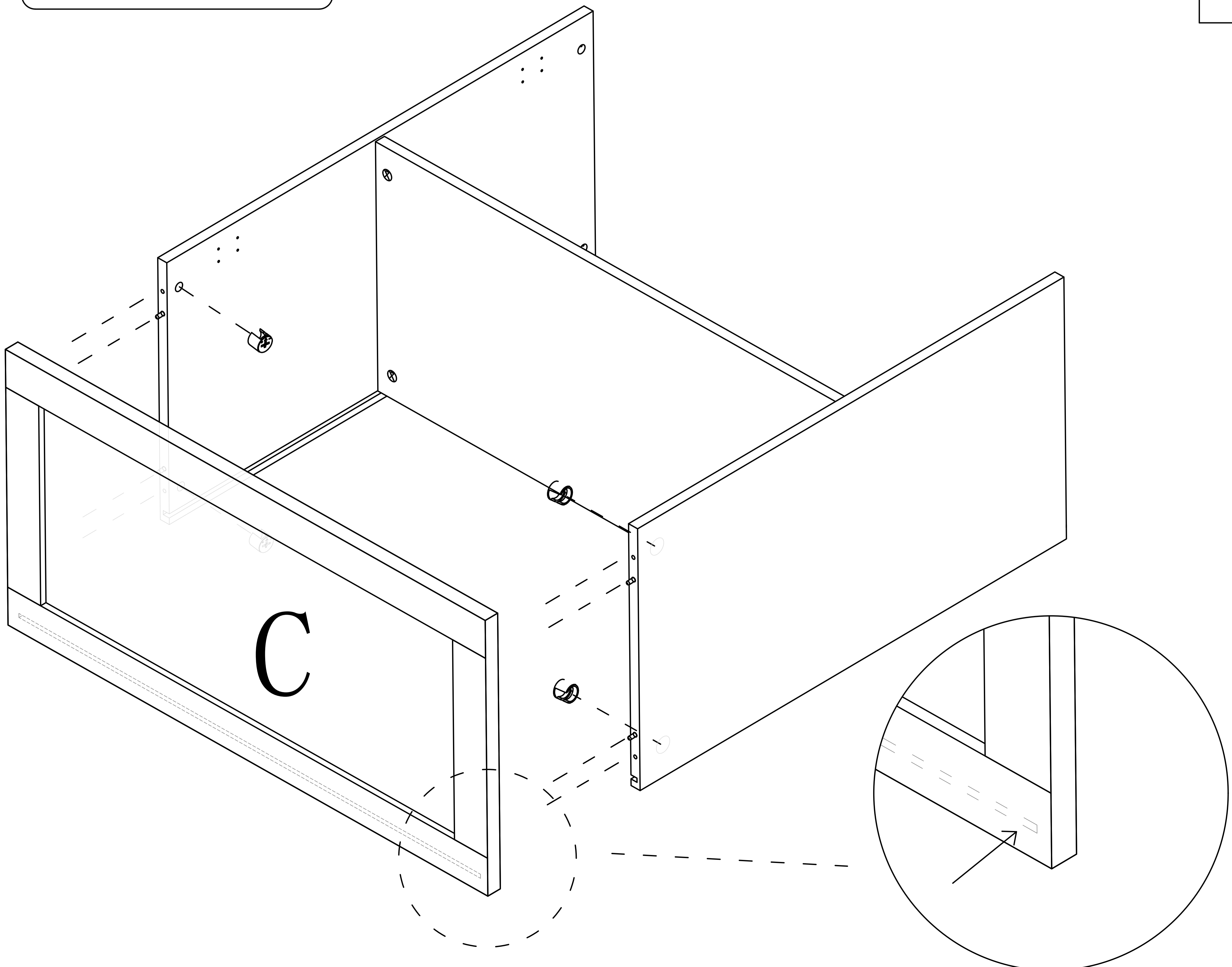
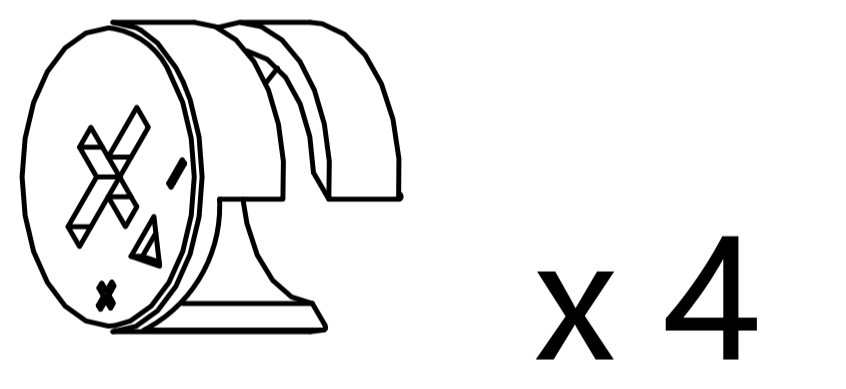
Step 7

1



Step 8

2

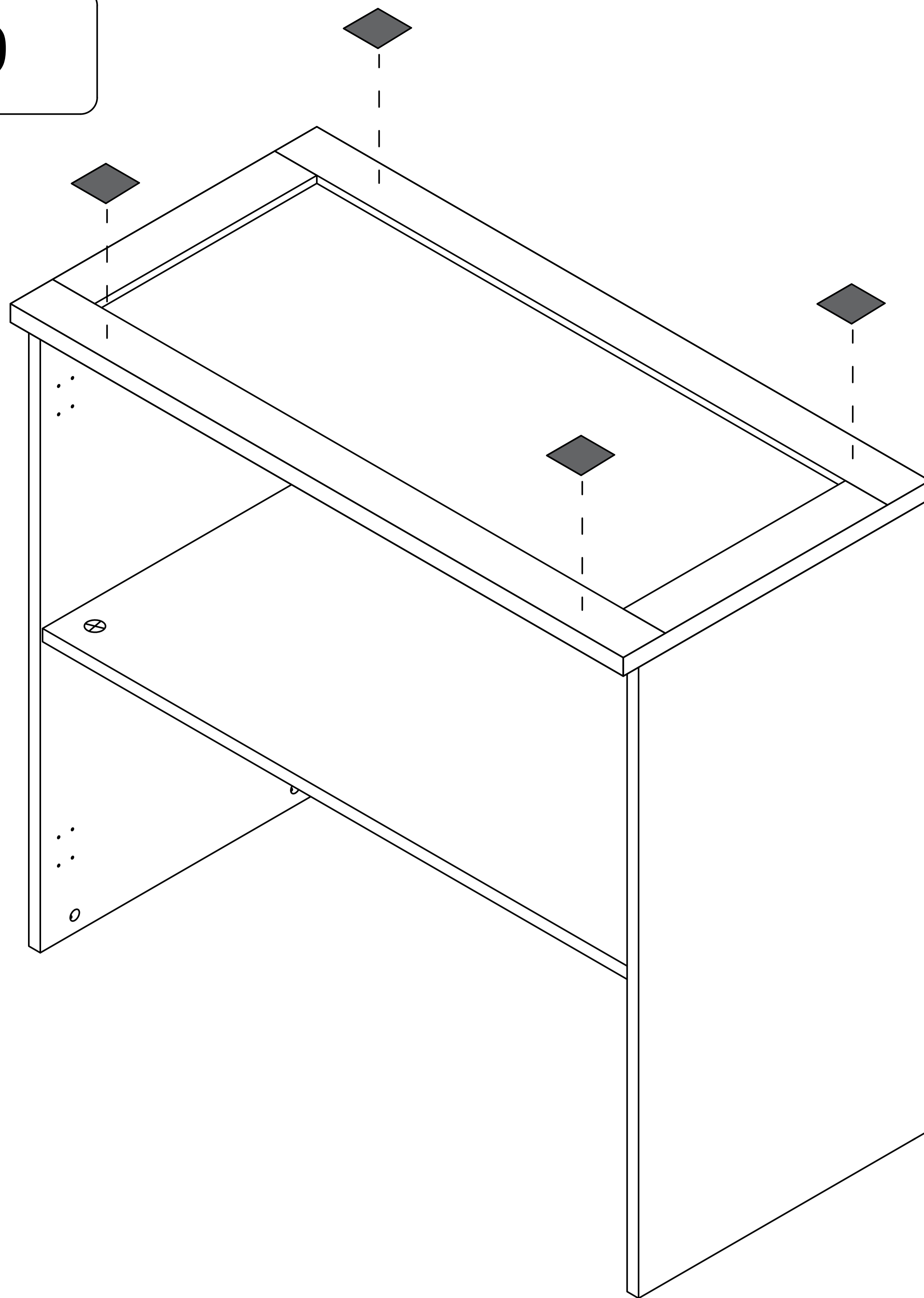


Step 9

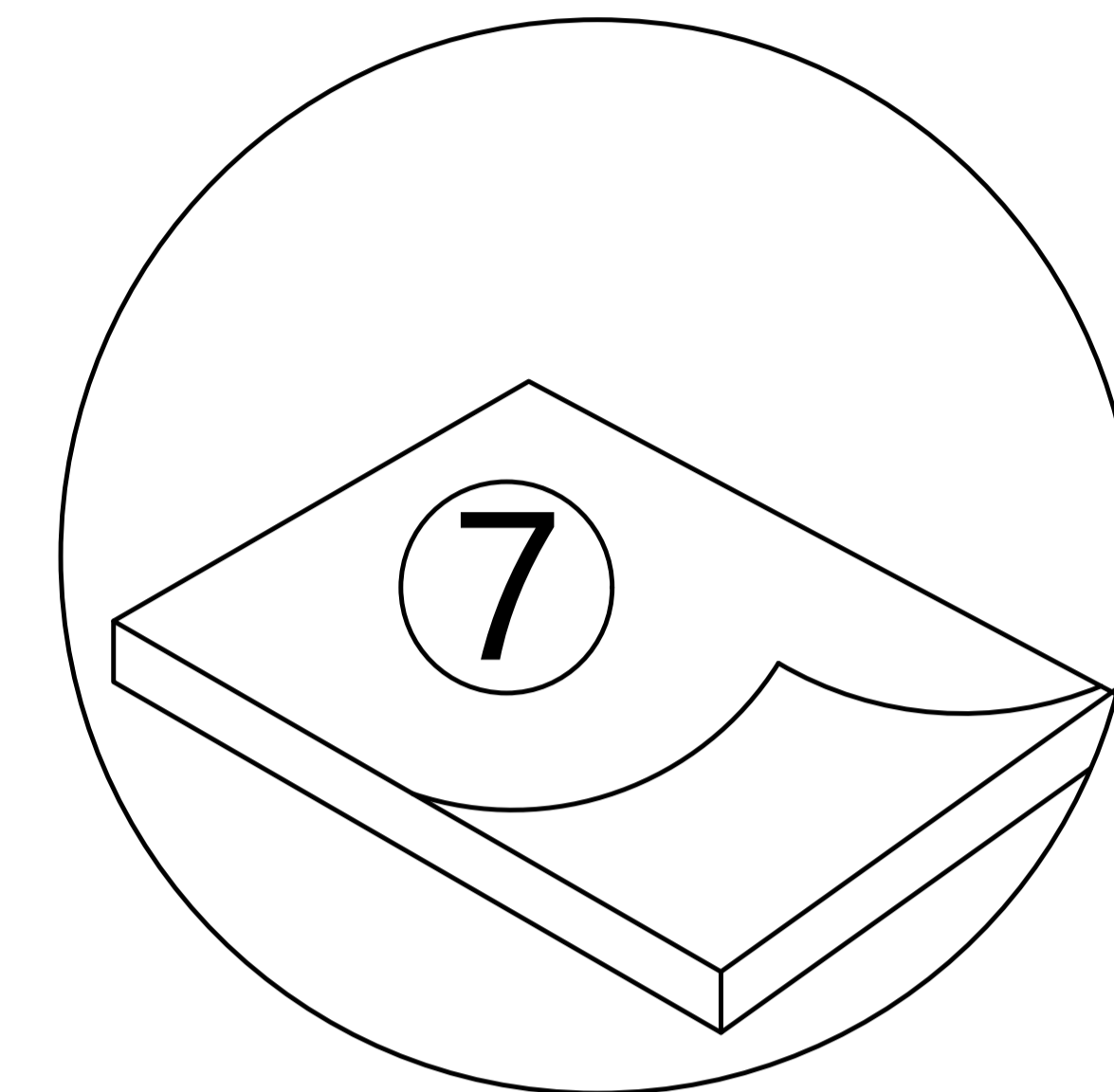
7



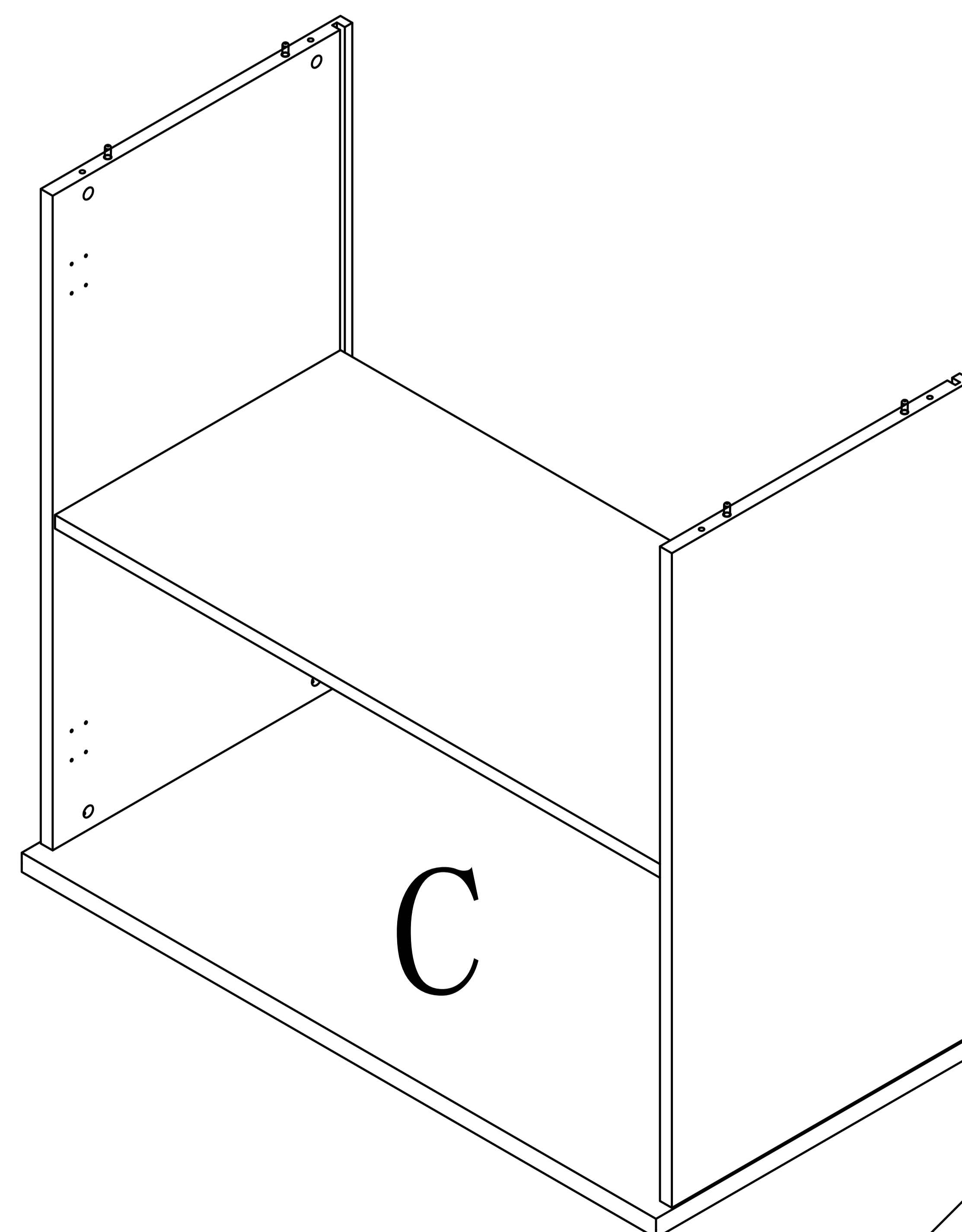
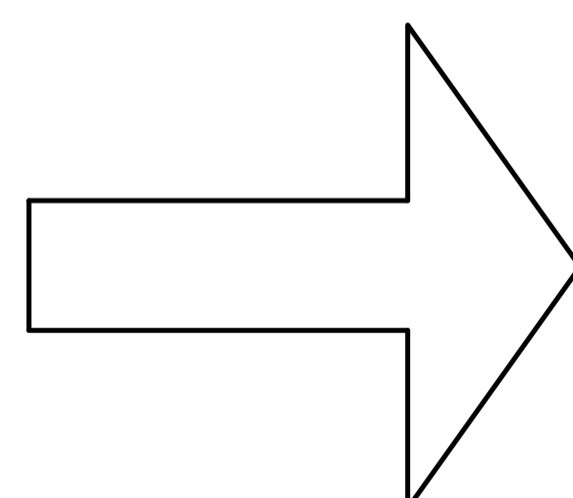
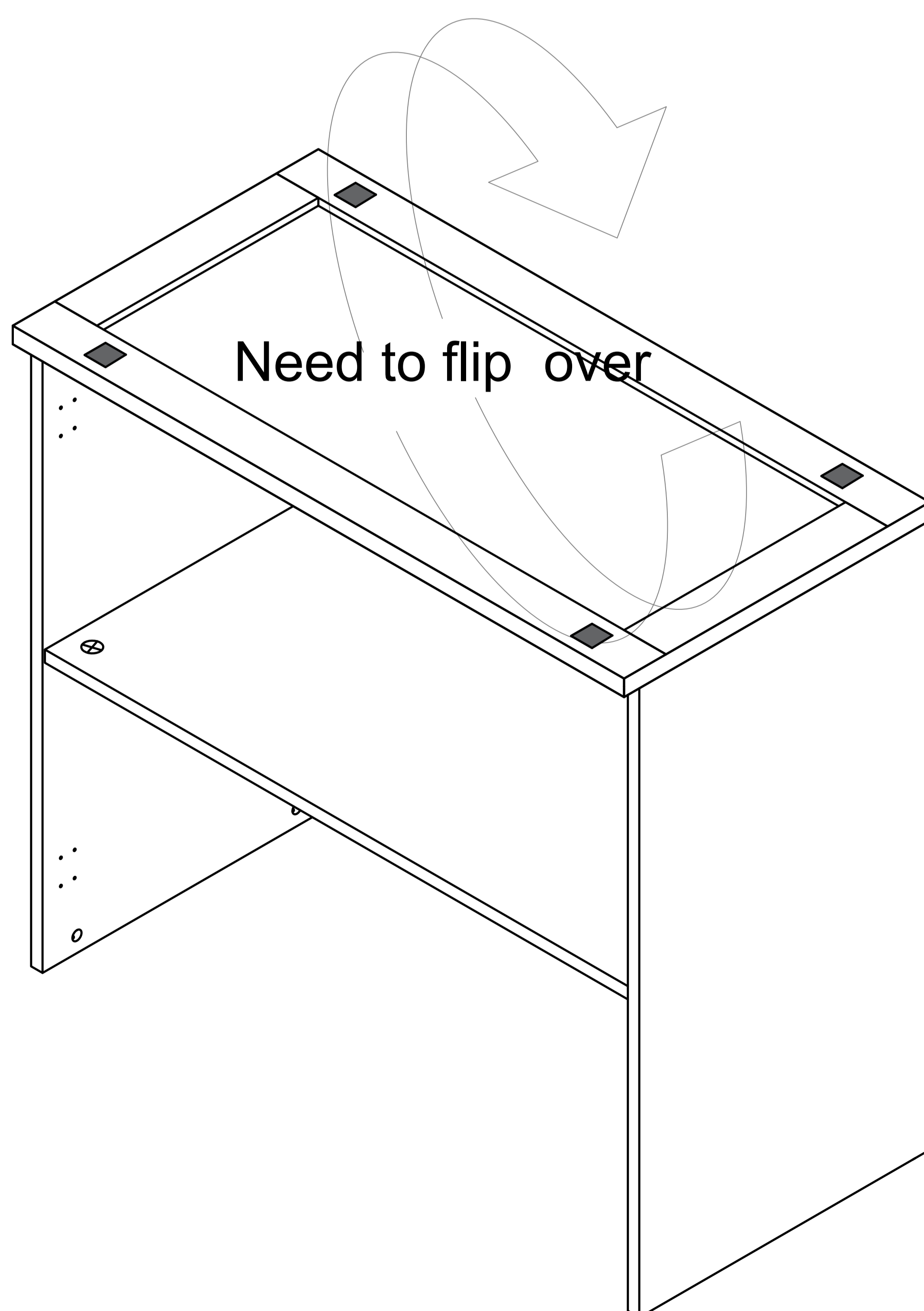
x4



Tear off the protective film before installation

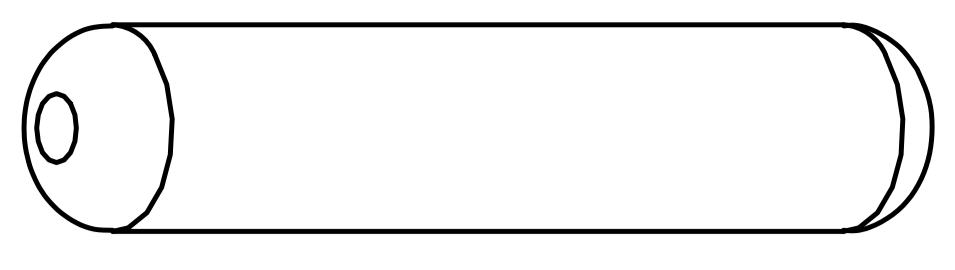


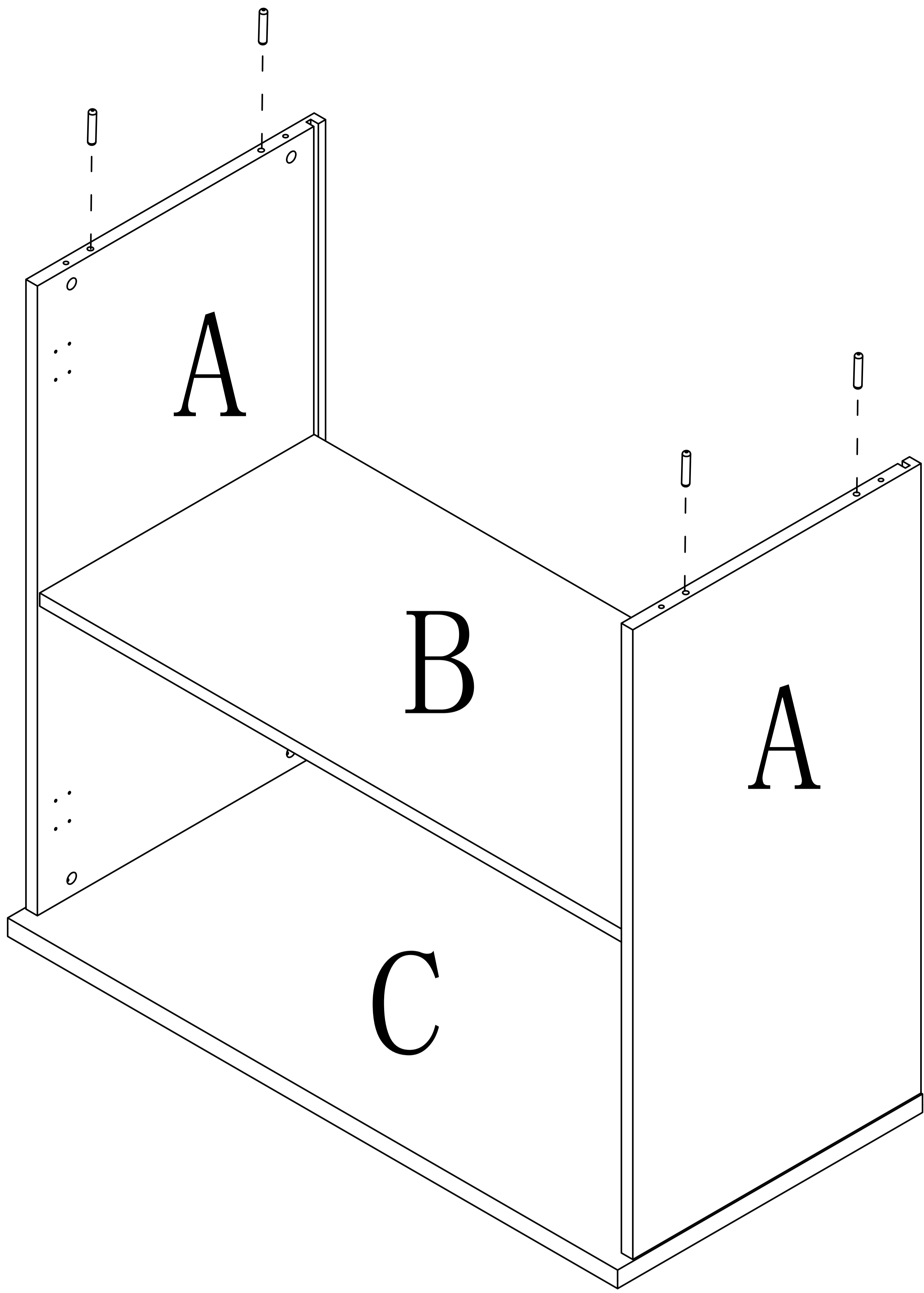
Step 10



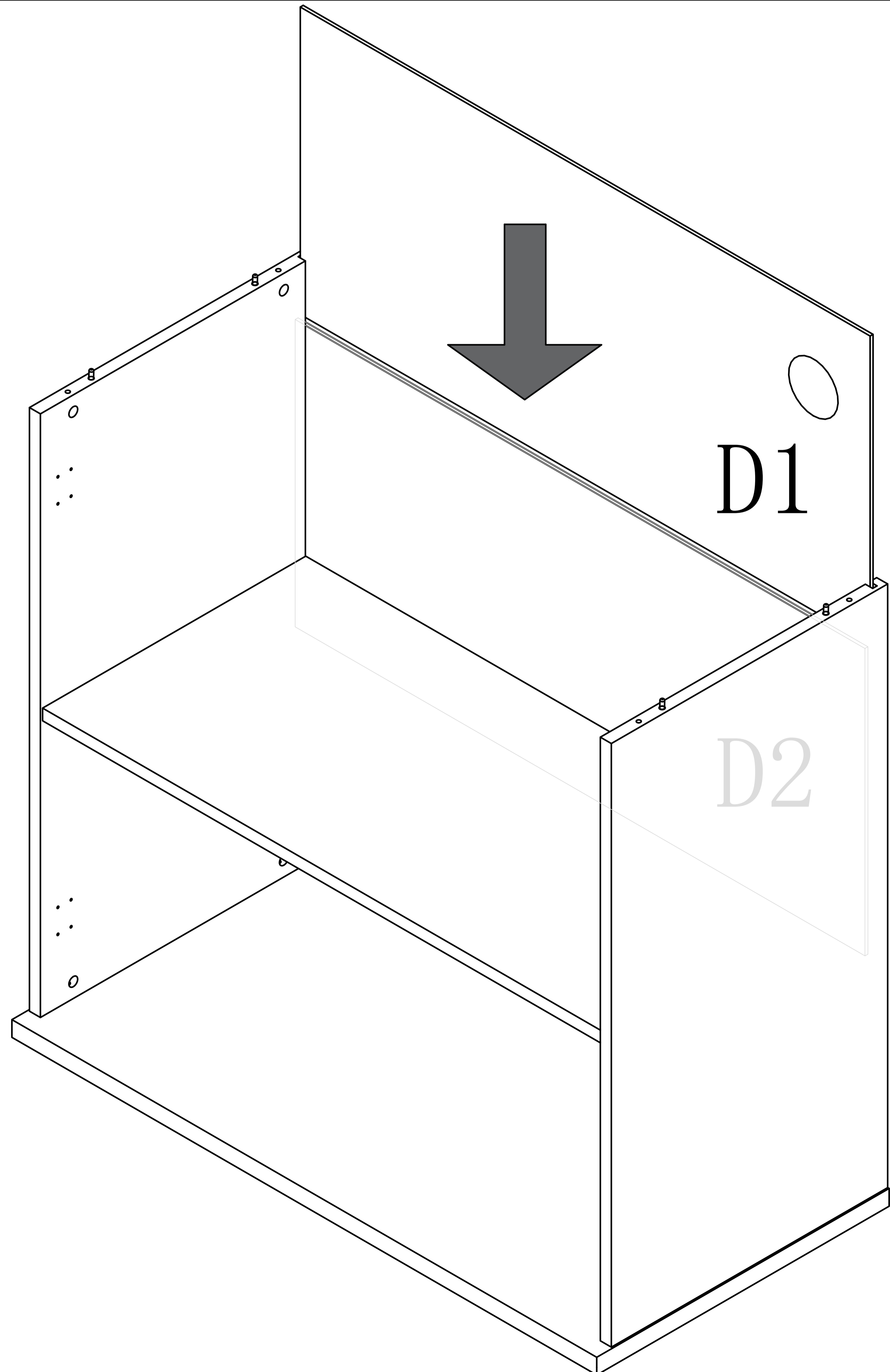
9

Step 11

3  x4

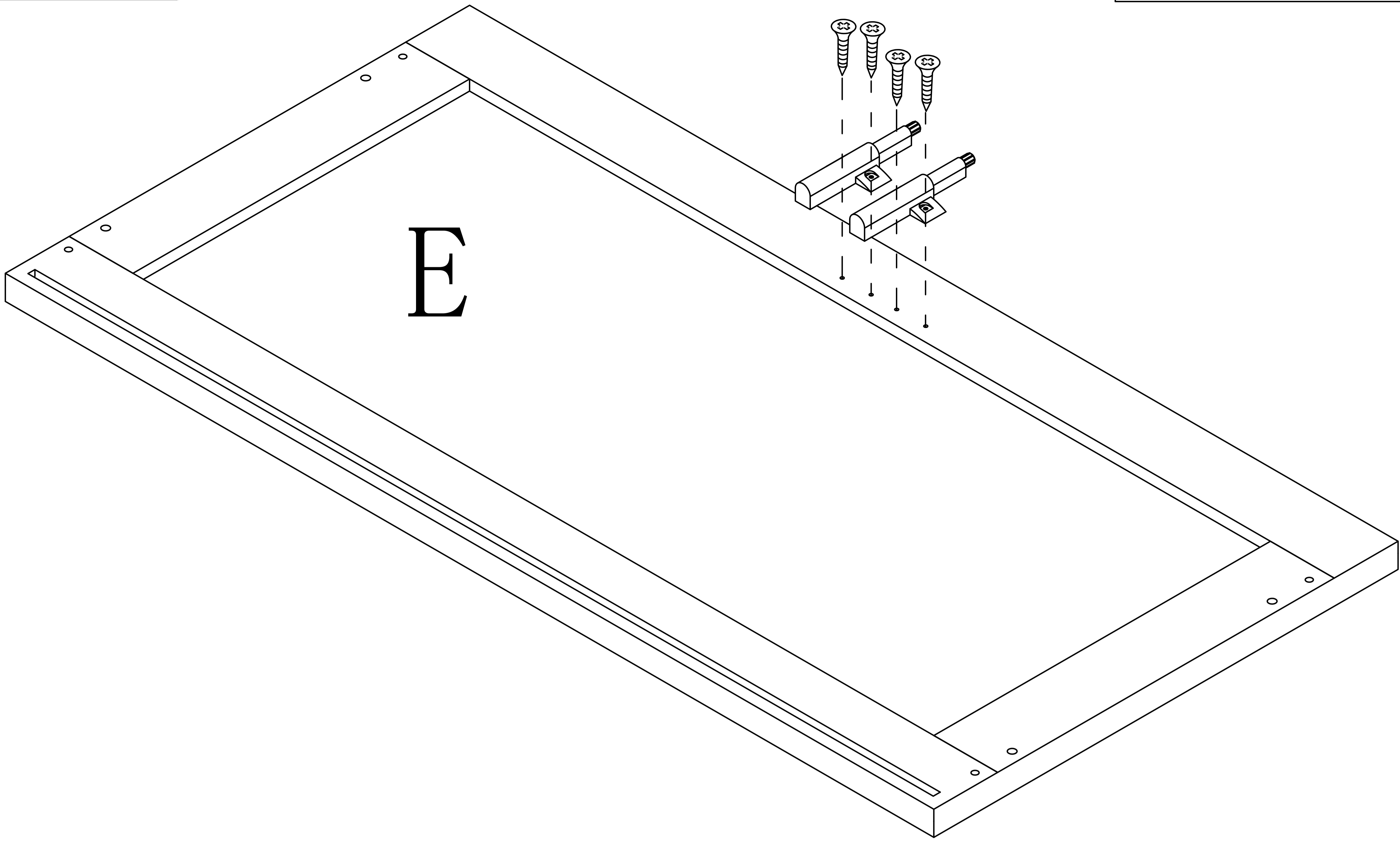


Step 12



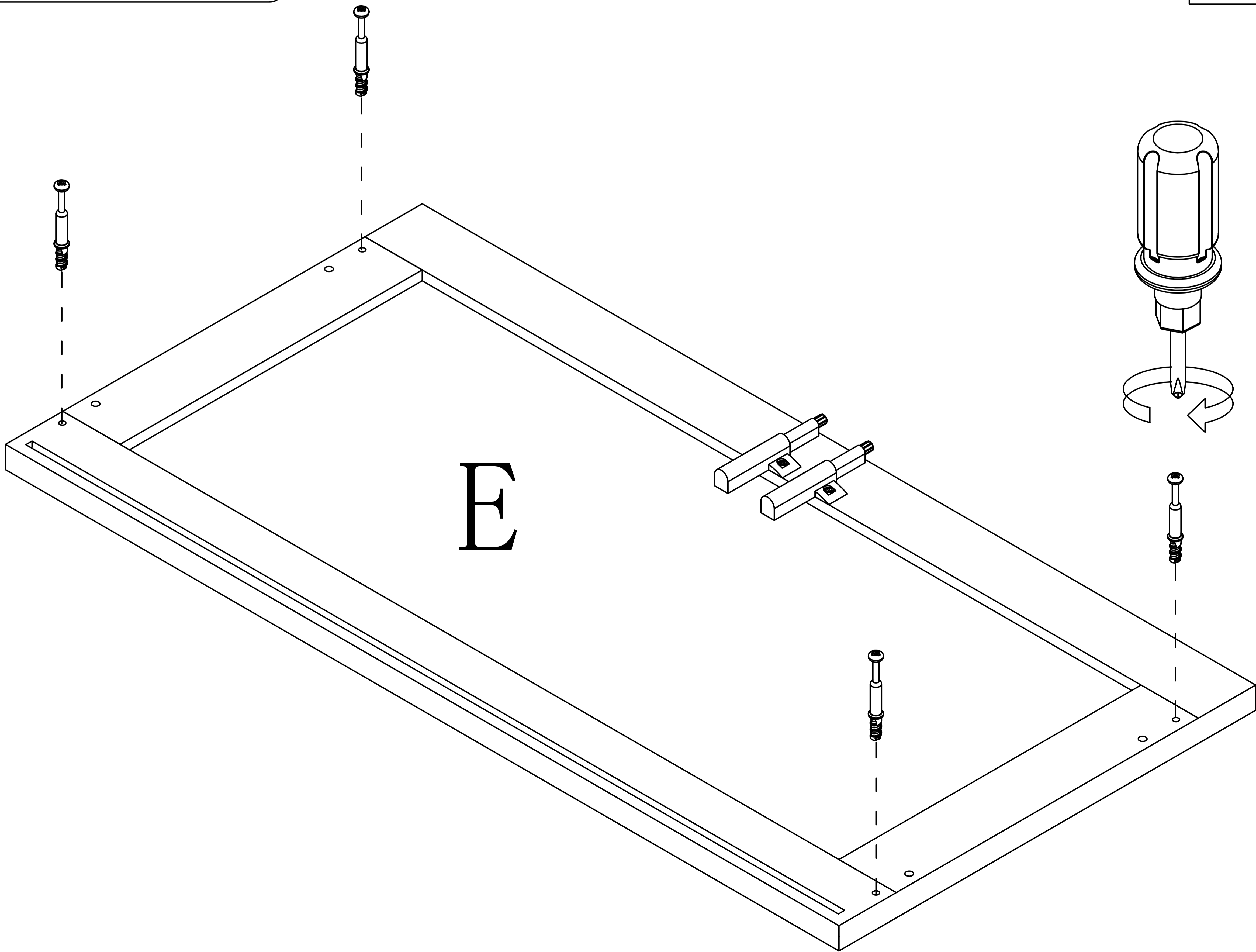
Step 13

4
x2 x4



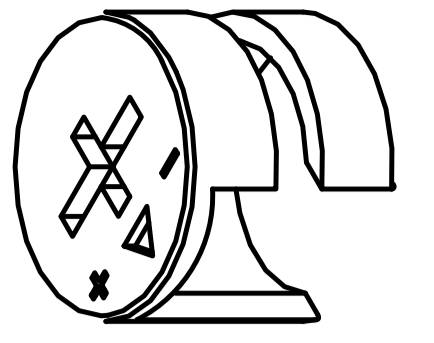
Step 14

1
x4

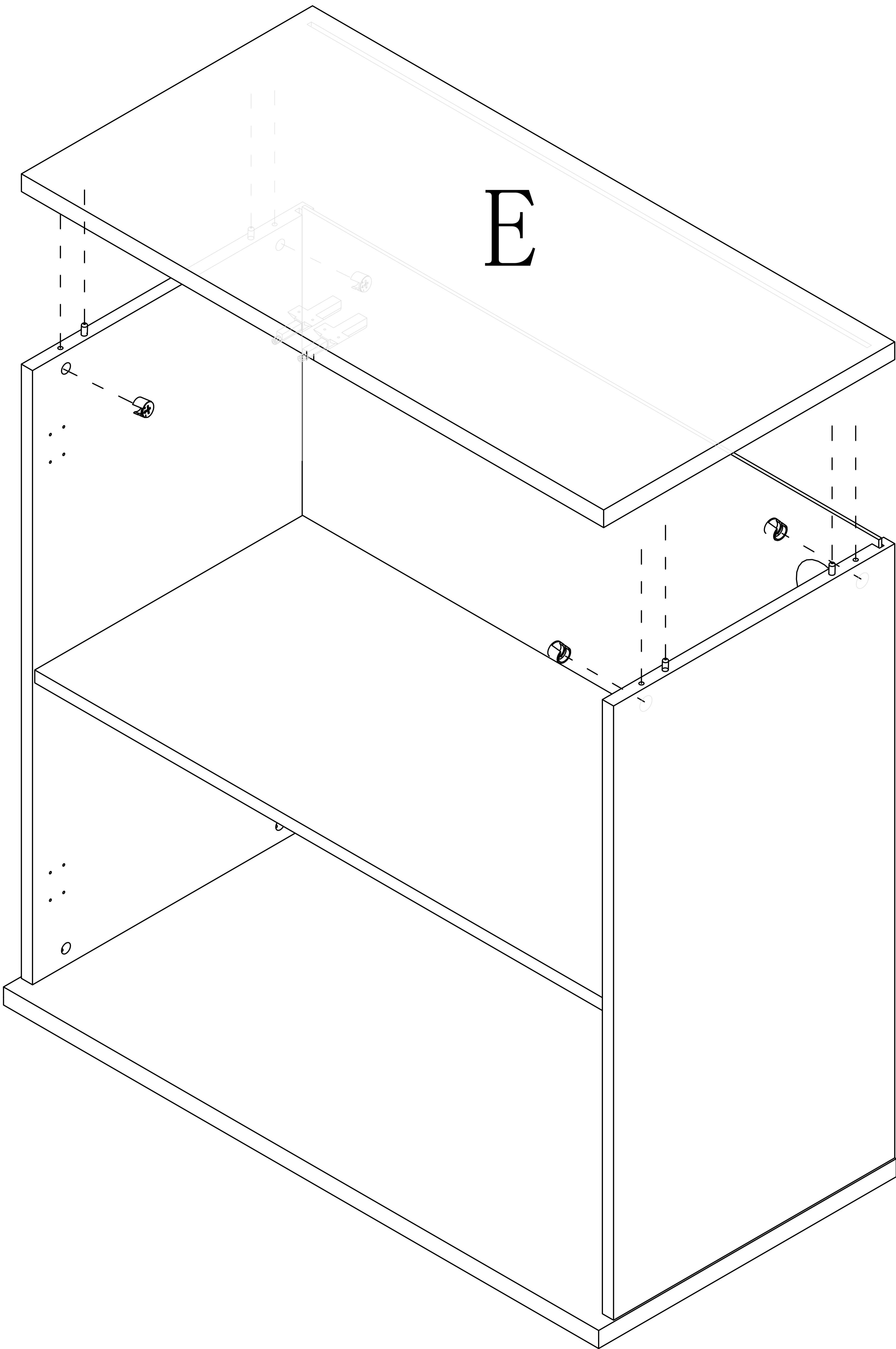


Step 15

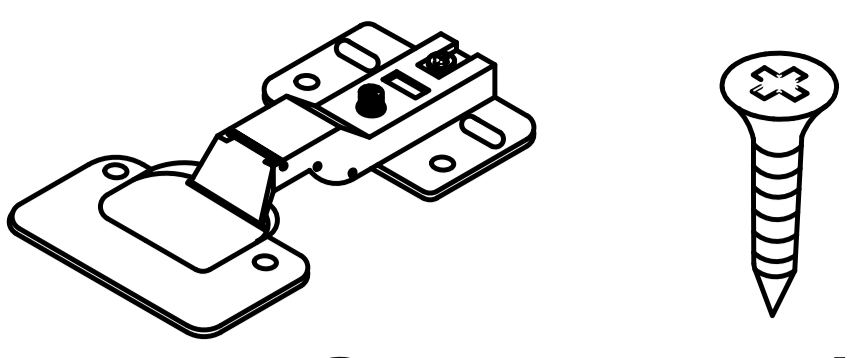
2

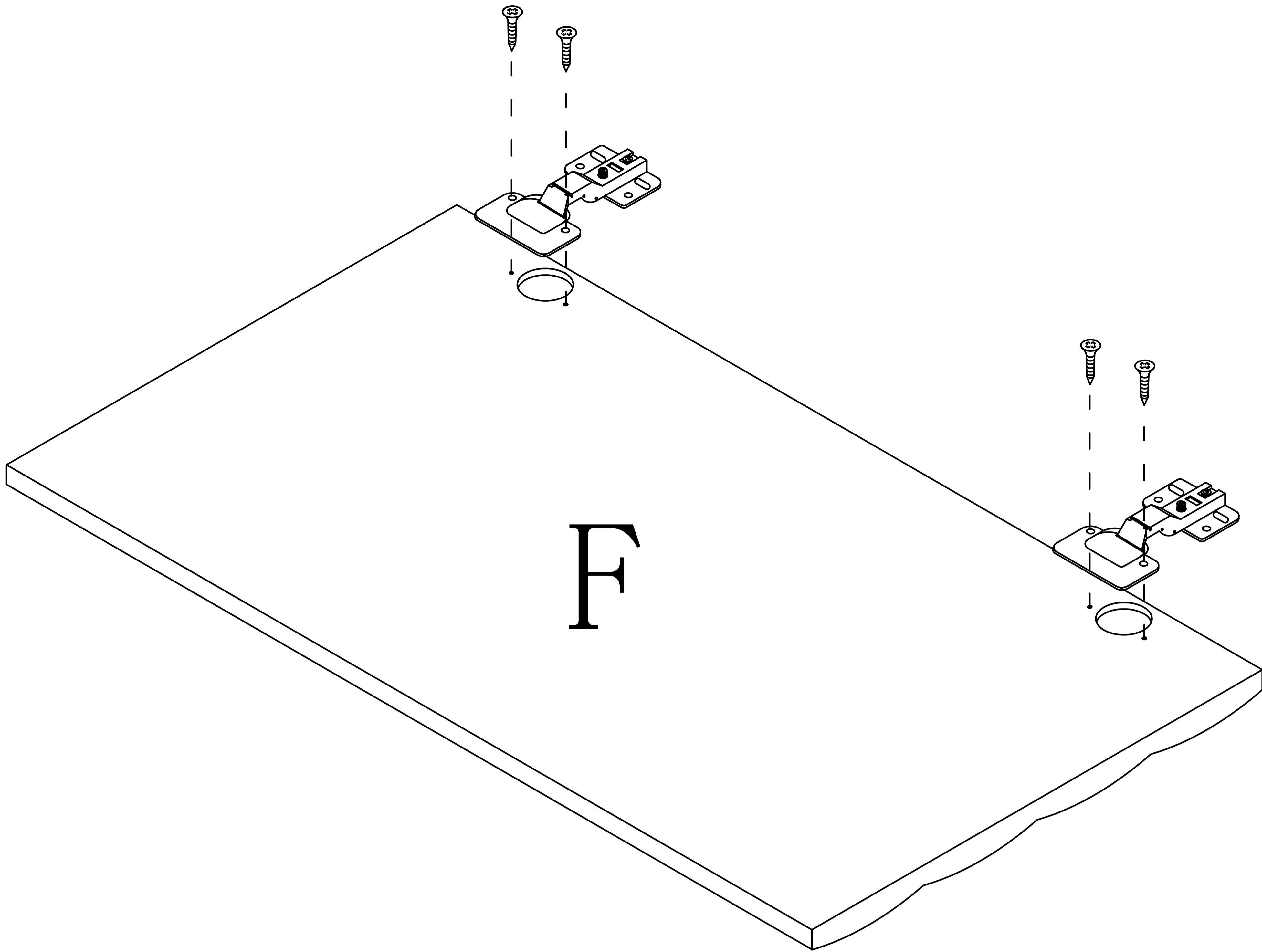


x 4

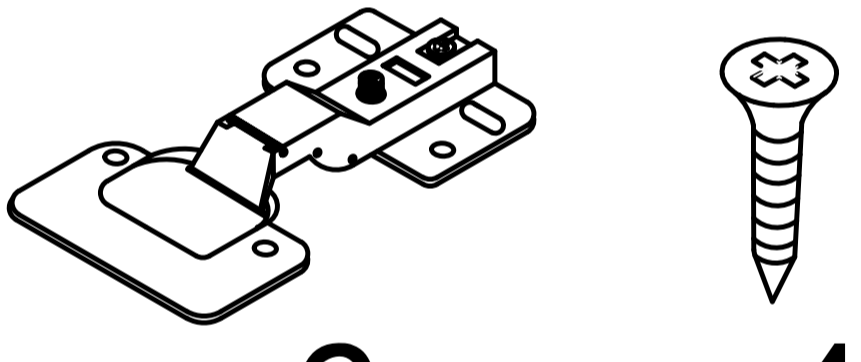


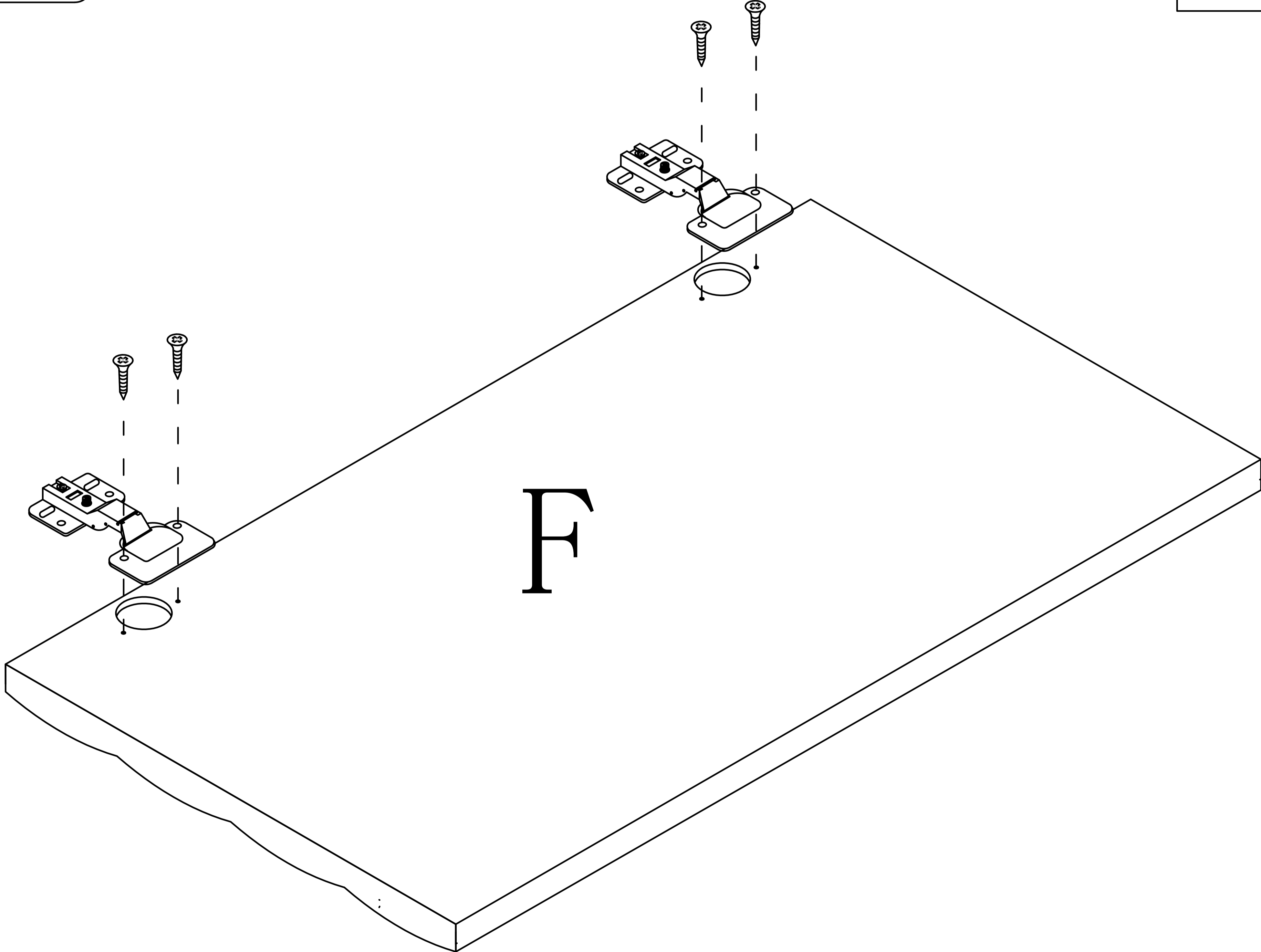
Step 16

5  x2 x4



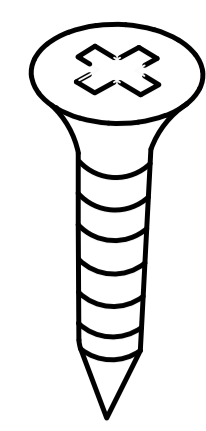
Step 17

5  x2 x4

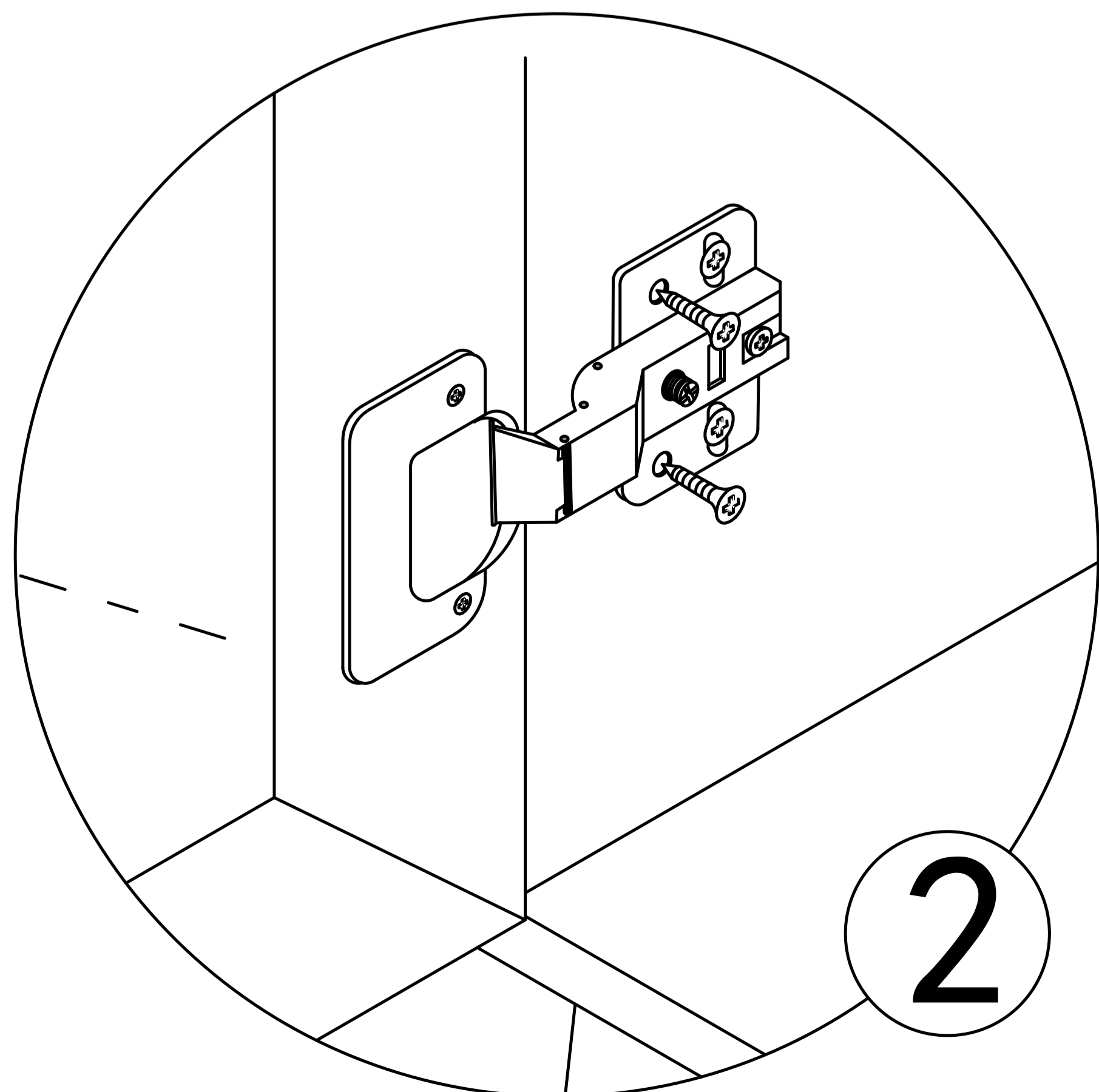
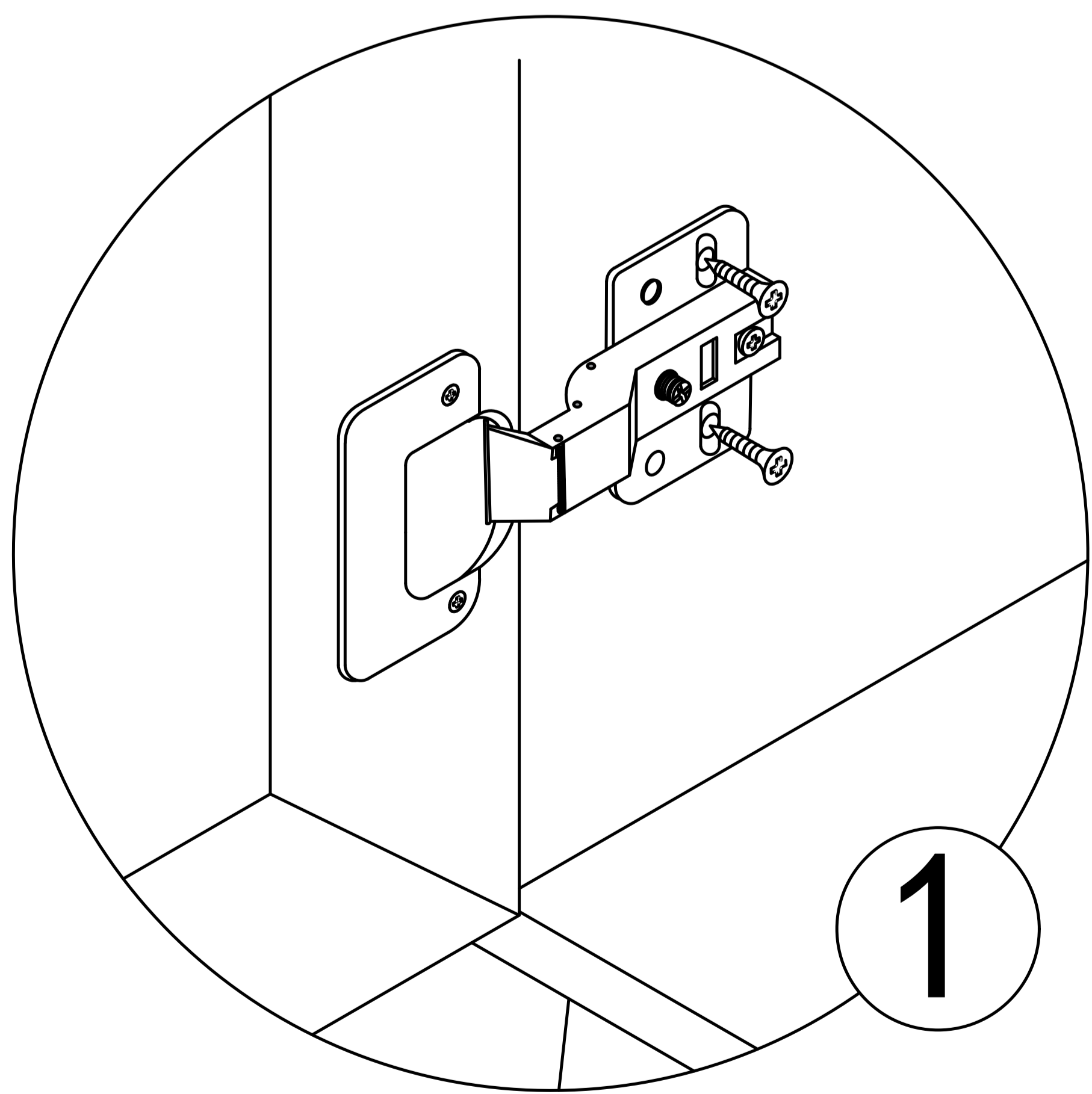
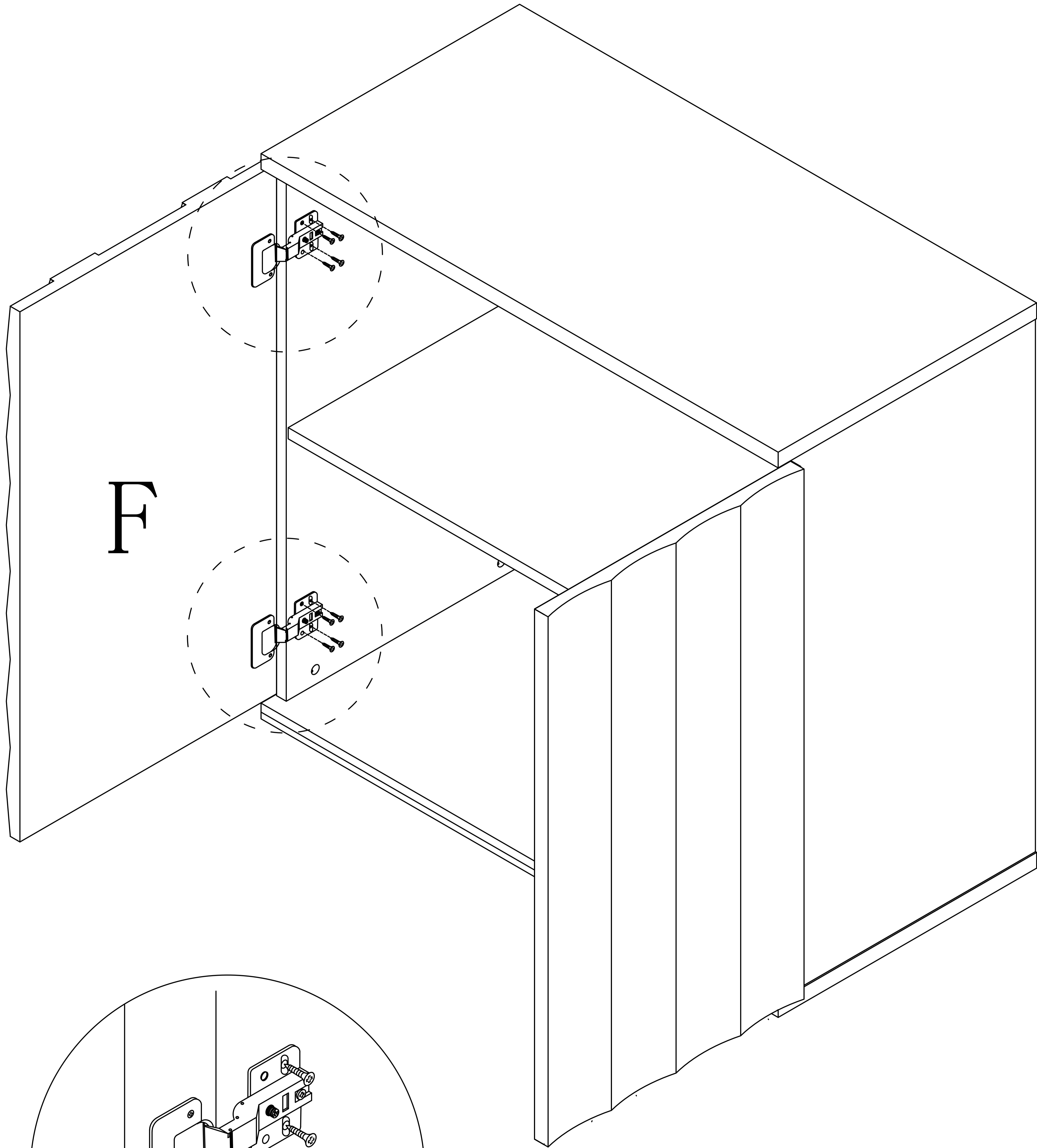


Step 18

5

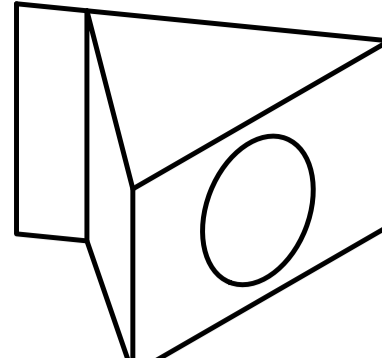


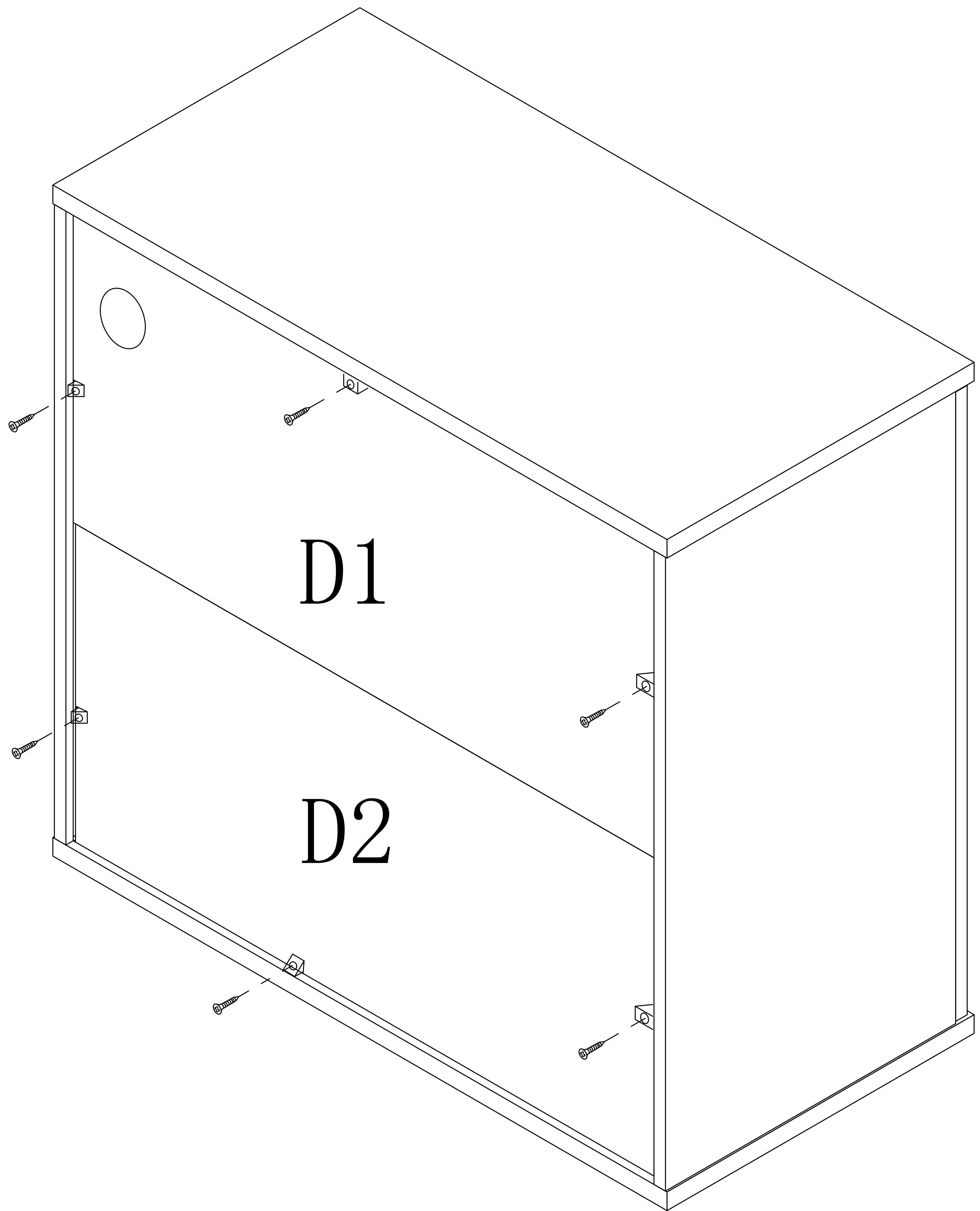
x16



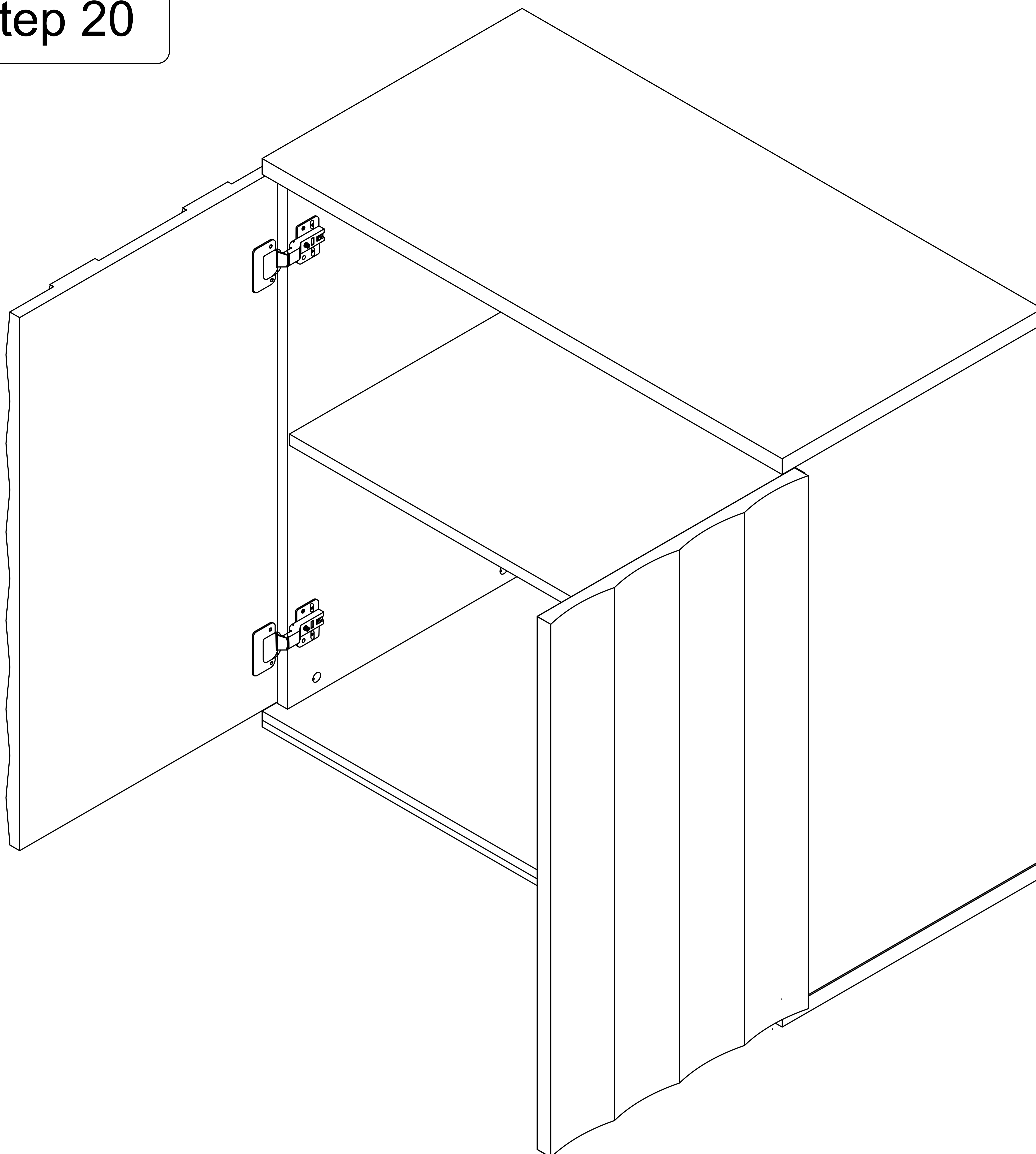
First lock the elliptical hole
then lock the fixed hole

Step 19

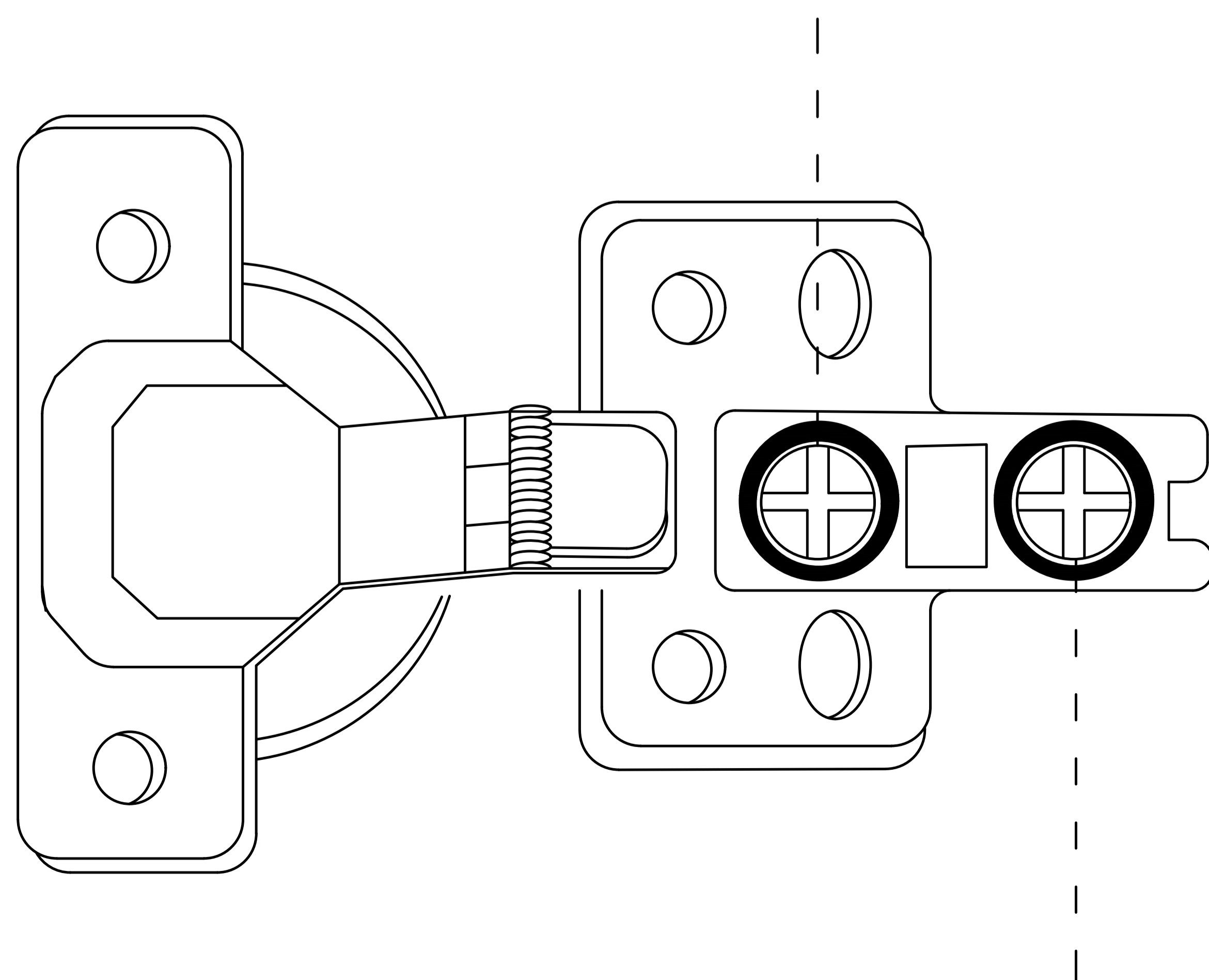
6  x 6



Step 20



Turning this screw can effectively adjust the size of the door gap.



Turn this screw to adjust the door panel to be flat with the side panel.

Step 21

Adjust the alignment of the door panel using the knob

