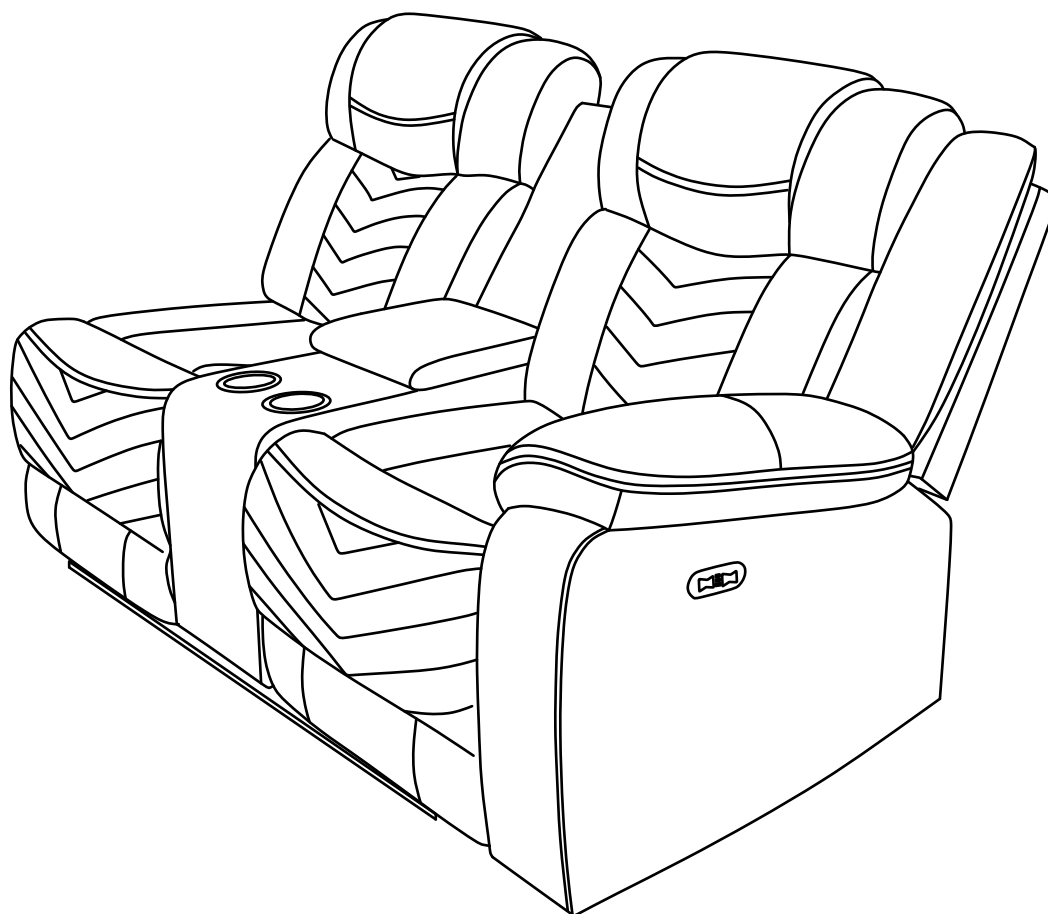


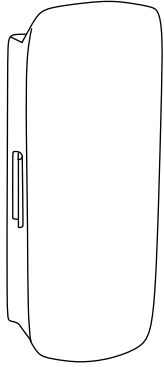
ASSEMBLY INSTRUCTIONS

1 POWER RECLINER LOVESEAT W/CONSOLE
+ LED LIGHT STRIP

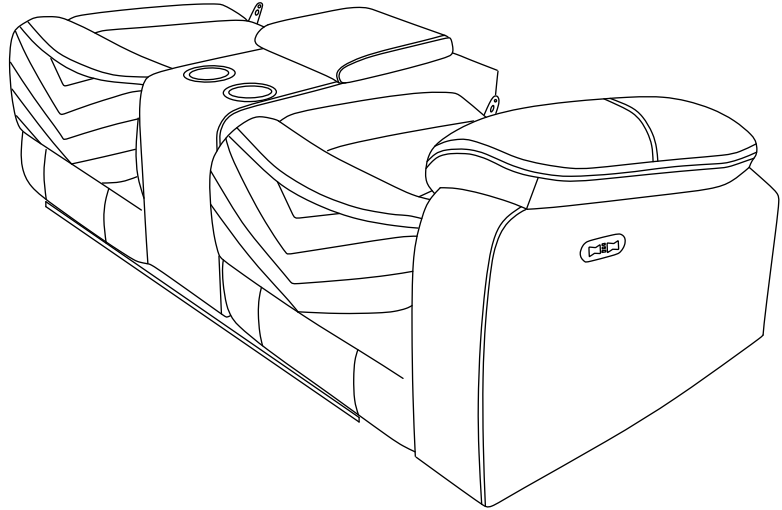


PARTS AND HARDWARE

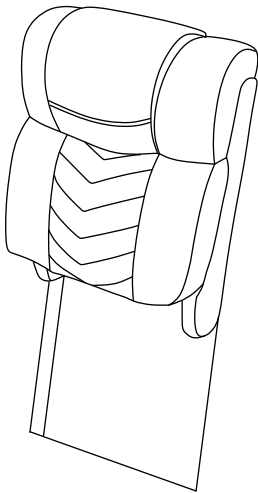
Avoid using sharp objects such as a knife to cut open packing as you may accidentally damage the upholstery



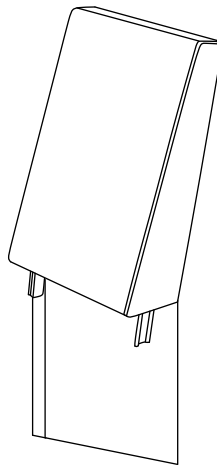
Right Ear 1x



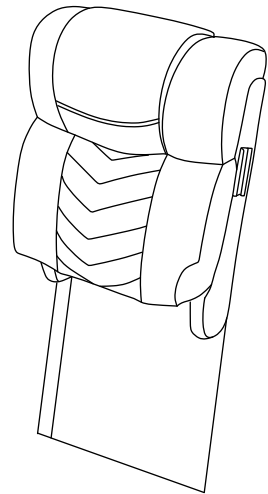
Seat Body 1x



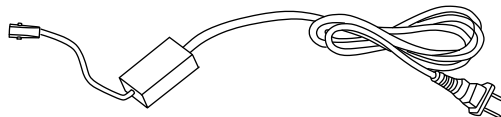
Left Backrest 1x



Console Backrest 1x



Right Backrest 1x



Adapter 1x

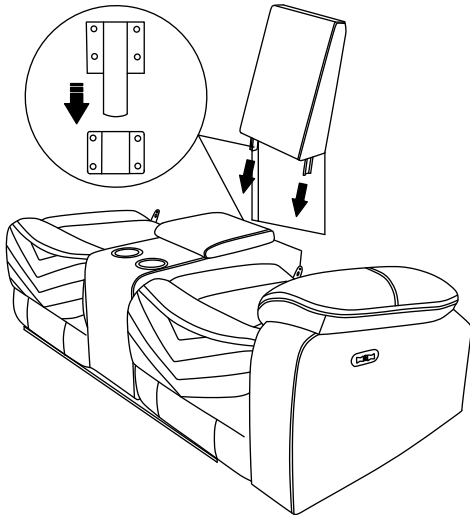
ASSEMBLY INSTRUCTIONS

CAUTION: At least two adults are required to safely complete performing this task.
Other lifting attempts may risk back injury due to large and heavy part(s)

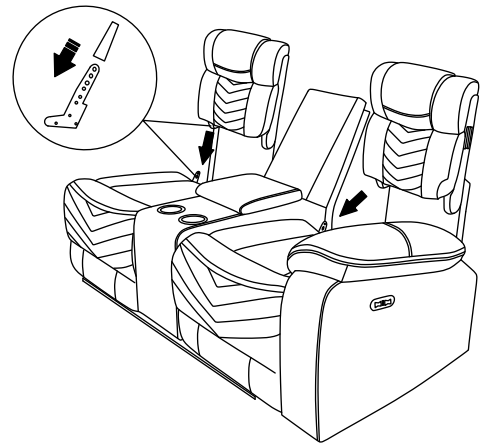


1 Carefully unpack and place parts on a clean flat surface.

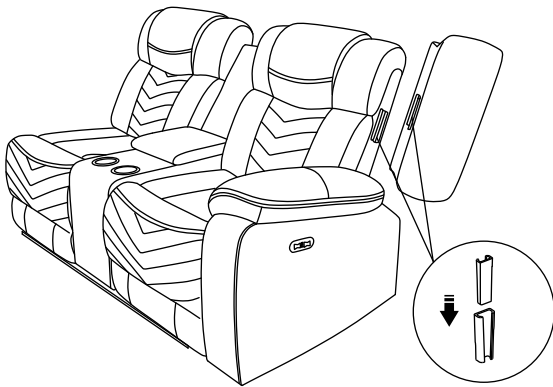
2 Attach Console Backrest to Seat Body.
Ensuring it is correctly in place.



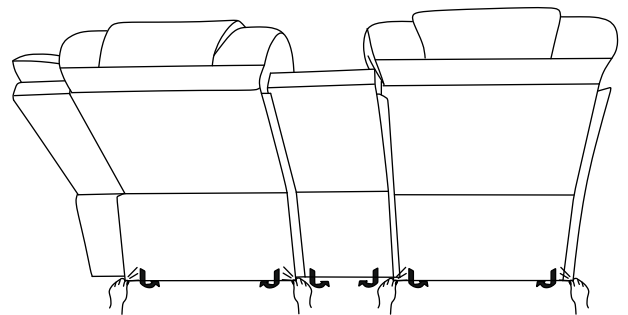
3 Attach Left and Right Backrest to Seat Body
Ensuring it is correctly in place.



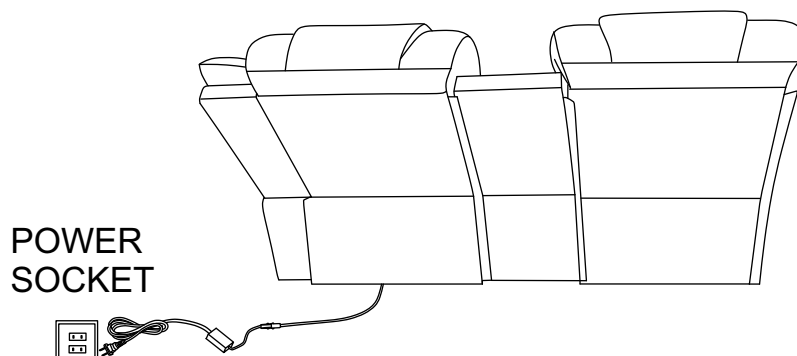
4 Attach Right Ear to Right Backrest.
Ensuring it is correctly in place.



5 Stretch and pull down rear cover evenly before
securing velcro strip to Seat Body. Repeat if
necessary for better fit.



6 Find power cable under the Seat Body then connect plug to the power socket.

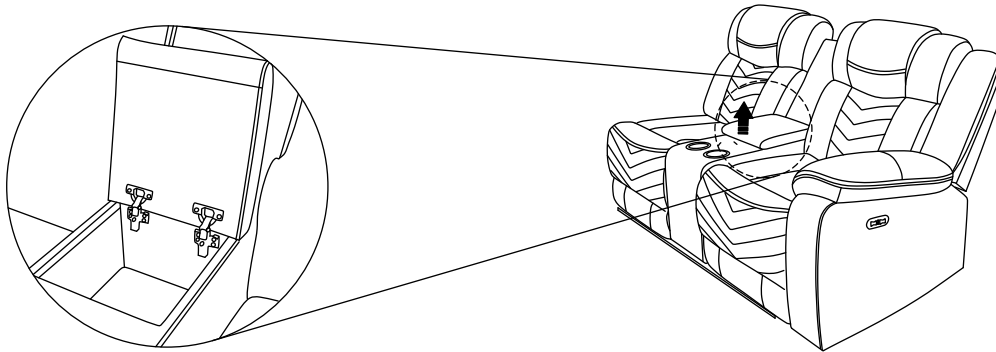


ASSEMBLY INSTRUCTIONS

CAUTION: At least two adults are required to safely complete performing this task.
Other lifting attempts may risk back injury due to large and heavy part(s)

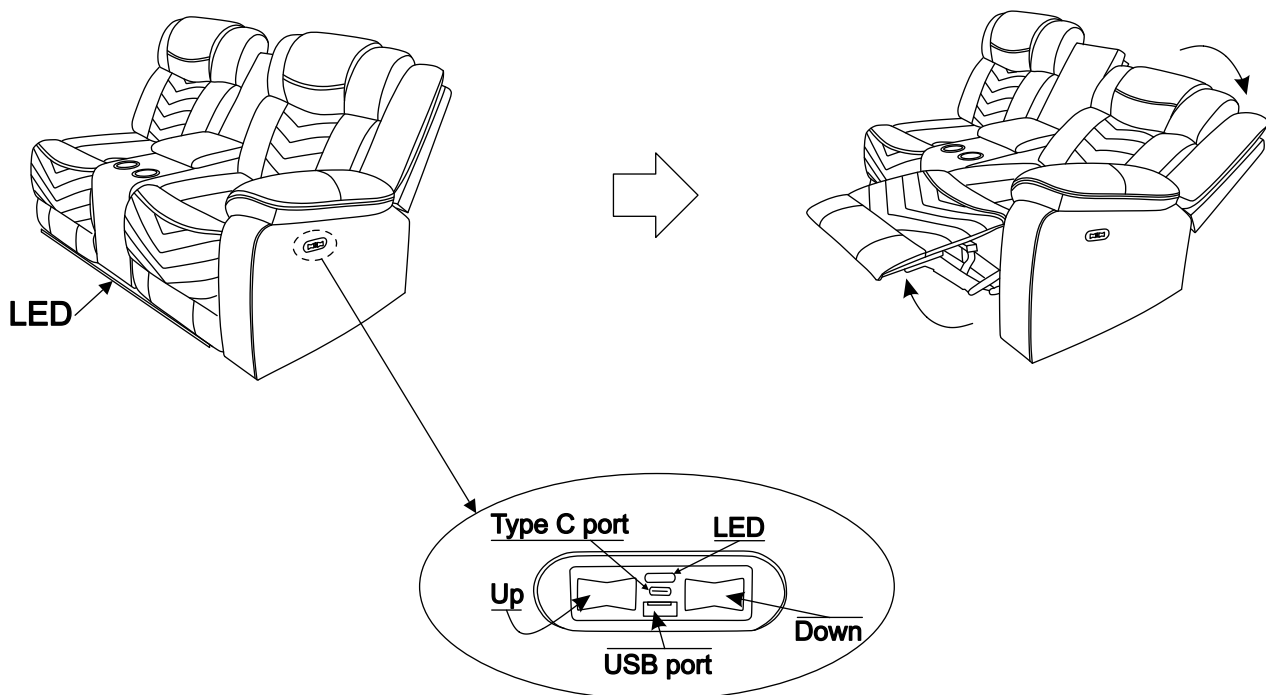


*Storage box



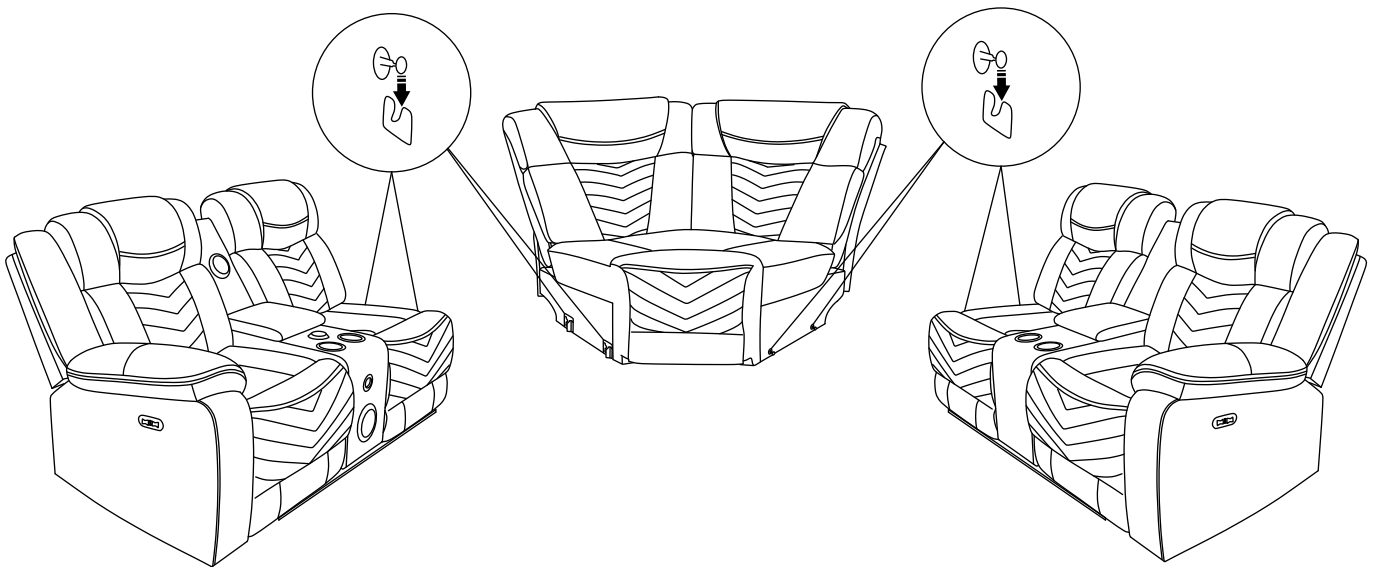
*Adjust to Legrest Position

To raise or lower the legrest, press the respective button and hold it. Release the button when the legrest reaches the desired height.



ASSEMBLY INSTRUCTIONS

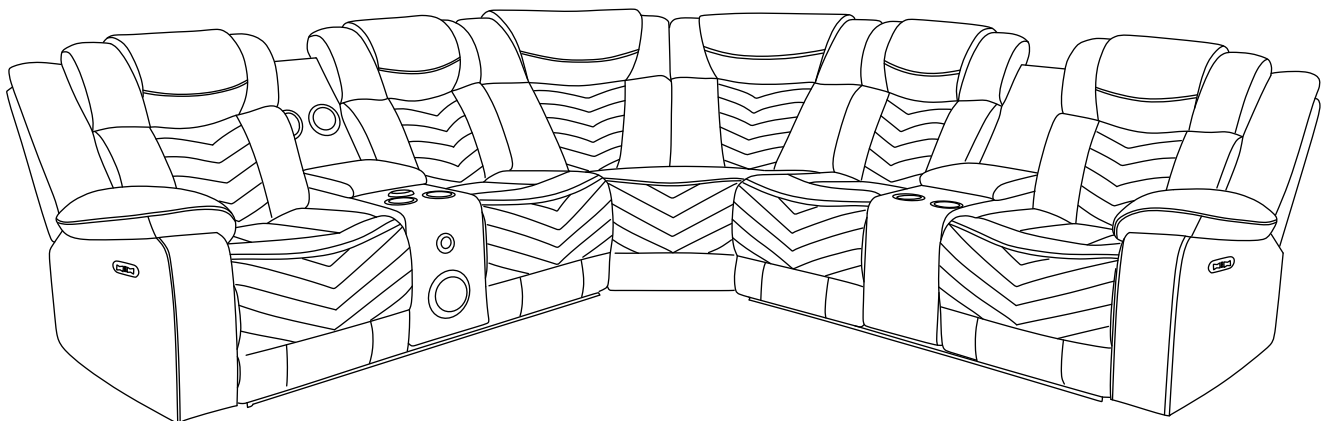
CAUTION: At least two adults are required to safely complete performing this task.
Other lifting attempts may risk back injury due to large and heavy part(s)



LAF with speaker

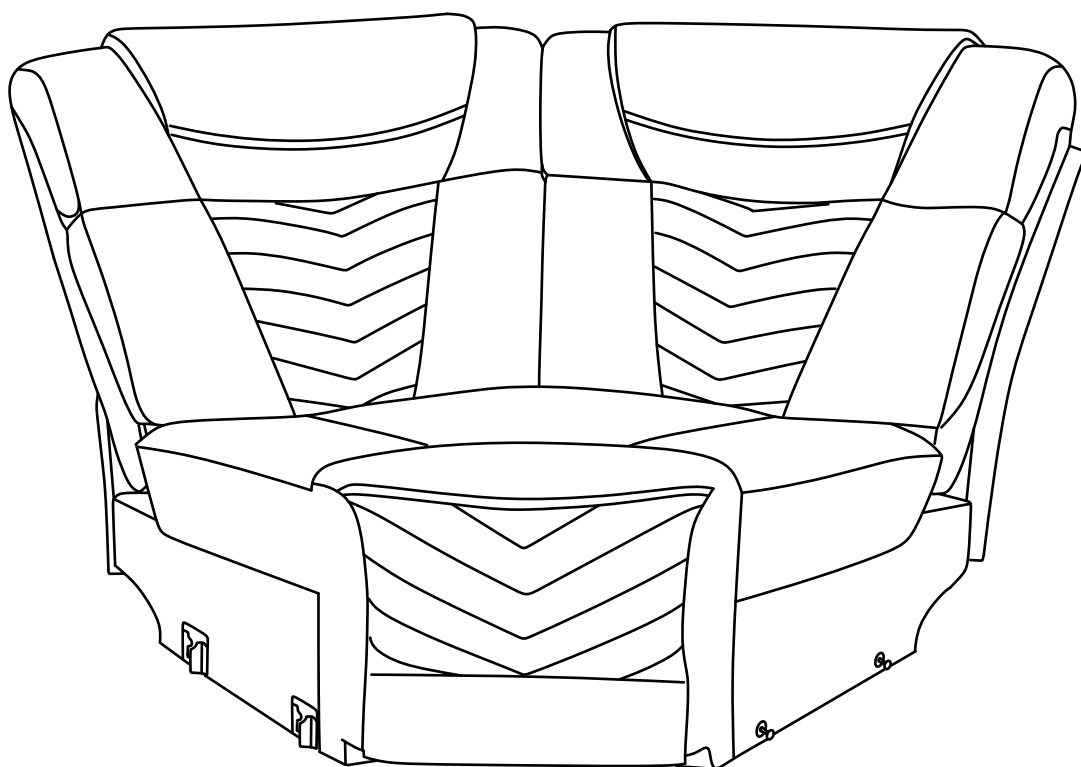
WEDGE

RAF



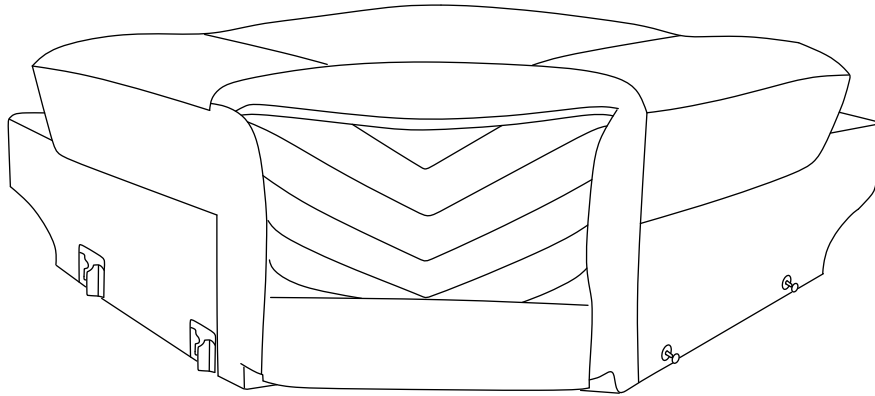
ASSEMBLY INSTRUCTIONS

WEDGE

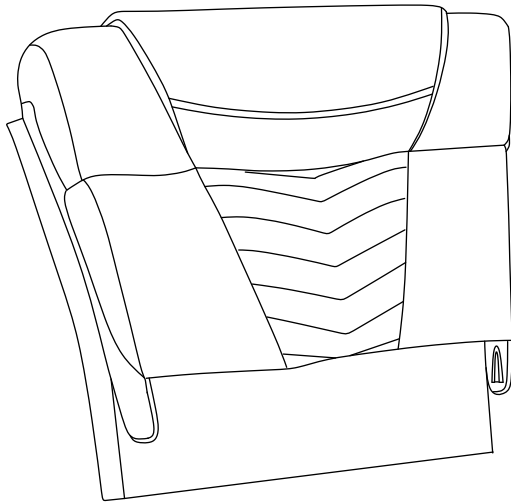


PARTS AND HARDWARE

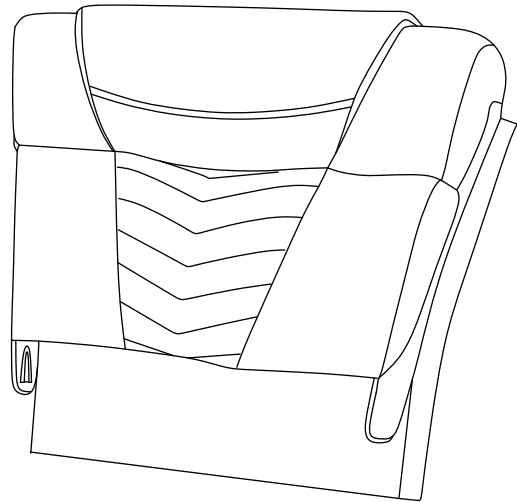
Avoid using sharp objects such as a knife to cut open packing as you may accidentally damage the upholstery



Seat Body 1x



Left
Backrest 1x



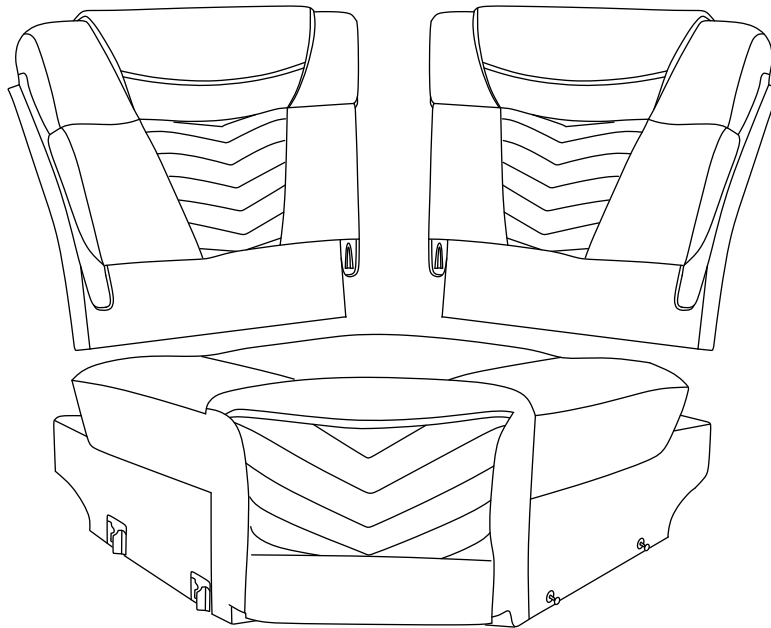
Right
Backrest 1x

ASSEMBLY INSTRUCTIONS

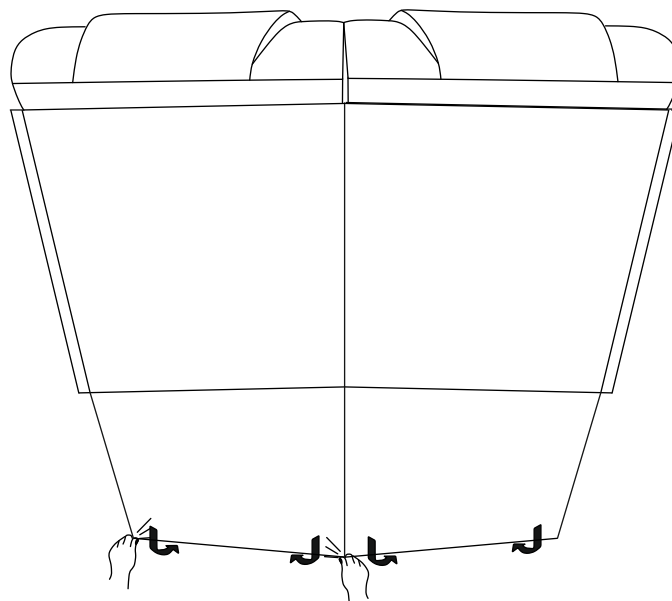
CAUTION: At least two adults are required to safely complete performing this task.
Other lifting attempts may risk back injury due to large and heavy part(s)



- 1** Carefully unpack and place parts on a clean flat surface.
- 2** Attach 2 Backrests to Seat Body
Ensuring it is correctly in place.

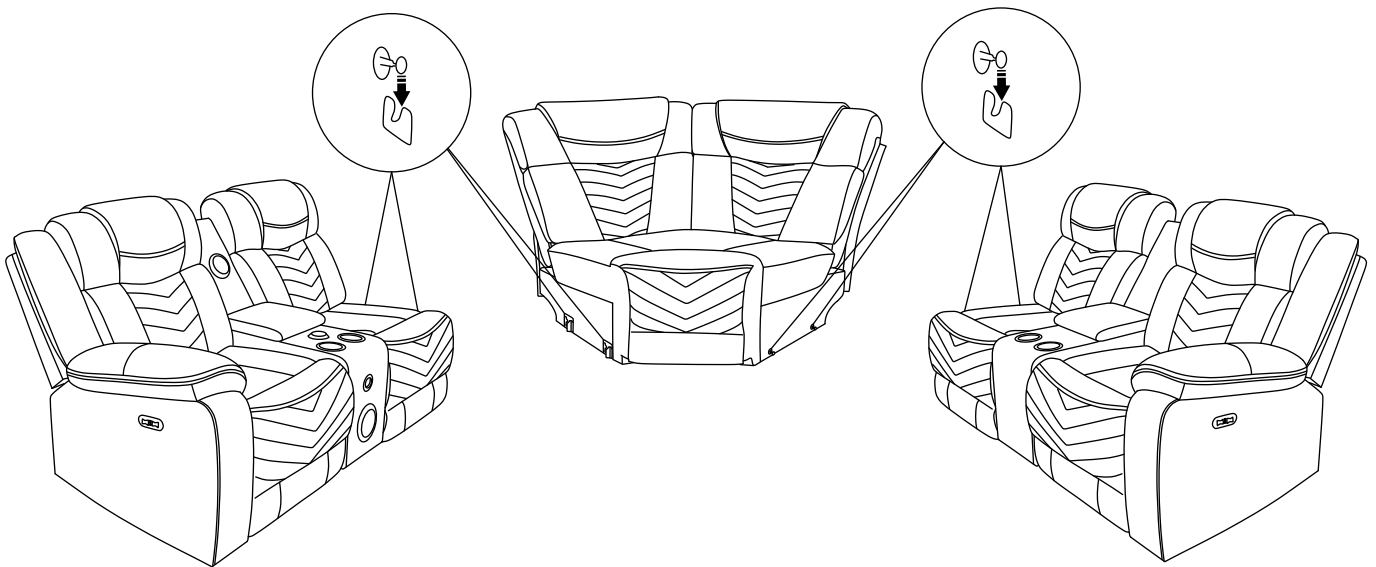


- 3** Stretch and pull down rear cover evenly before securing velcro strip to Seat Body. Repeat if necessary for better fit.



ASSEMBLY INSTRUCTIONS

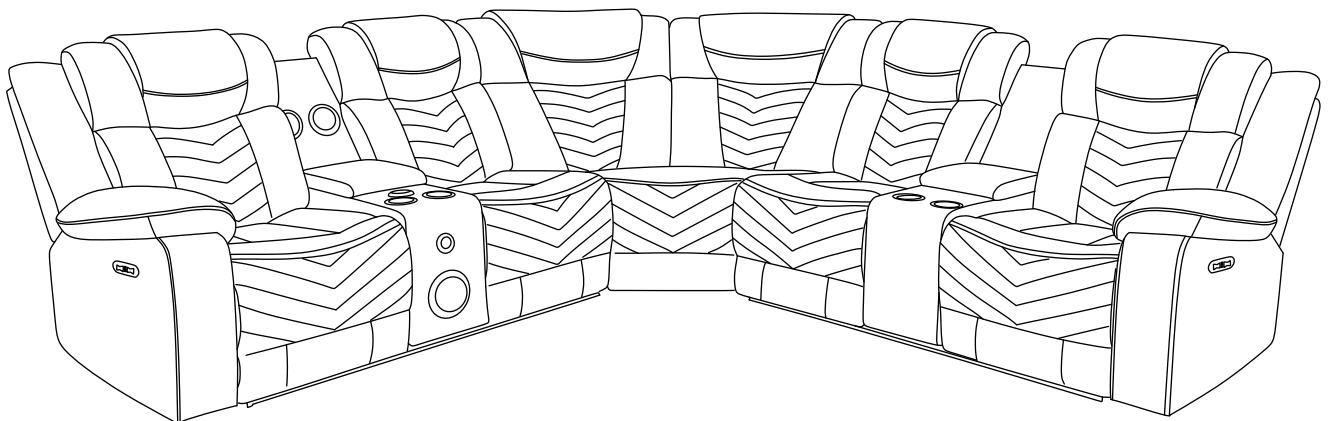
CAUTION: At least two adults are required to safely complete performing this task.
Other lifting attempts may risk back injury due to large and heavy part(s)



LAF with speaker

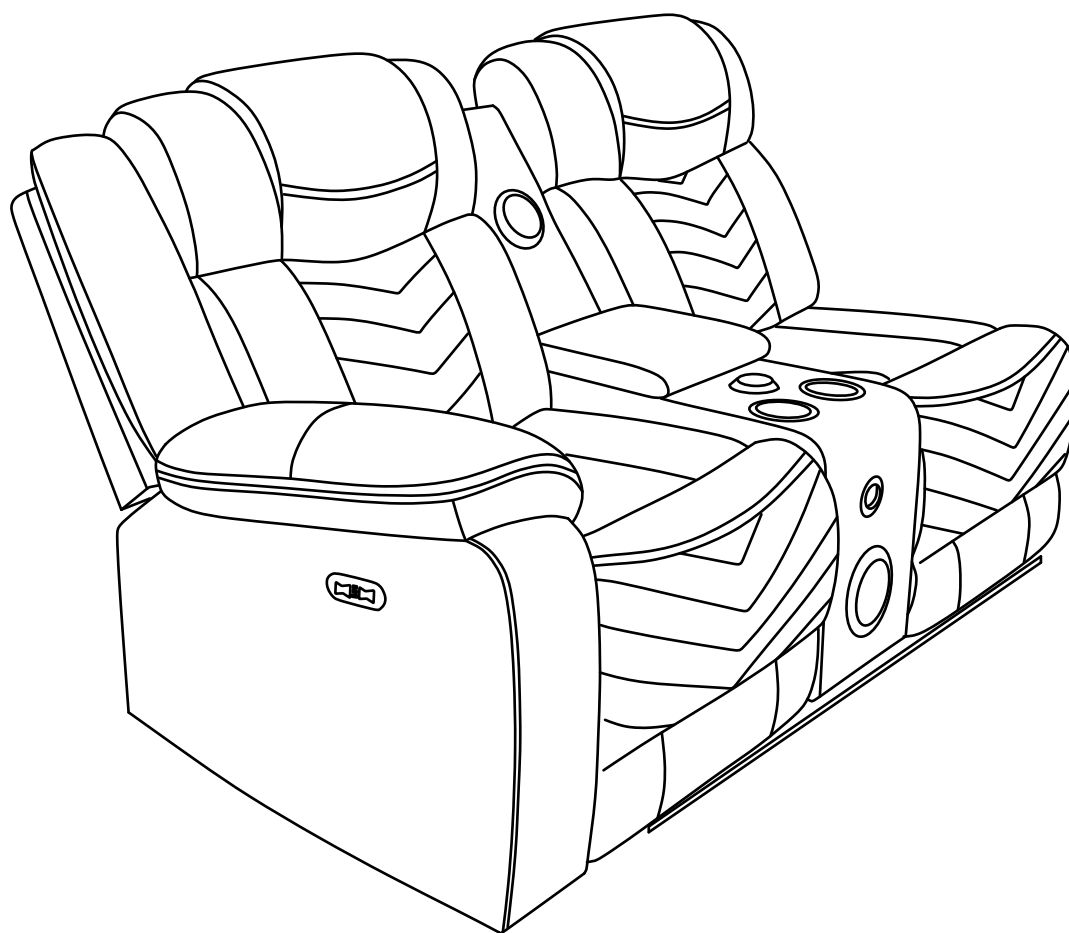
WEDGE

RAF



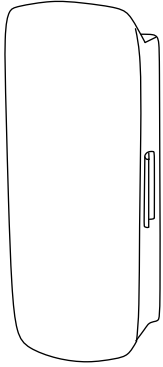
ASSEMBLY INSTRUCTIONS

**1 POWER RECLINER LOVESEAT W/CONSOLE
+ BLUETOOTH AUDIO SYSTEM REMO1
+ LED LIGHT STRIP**

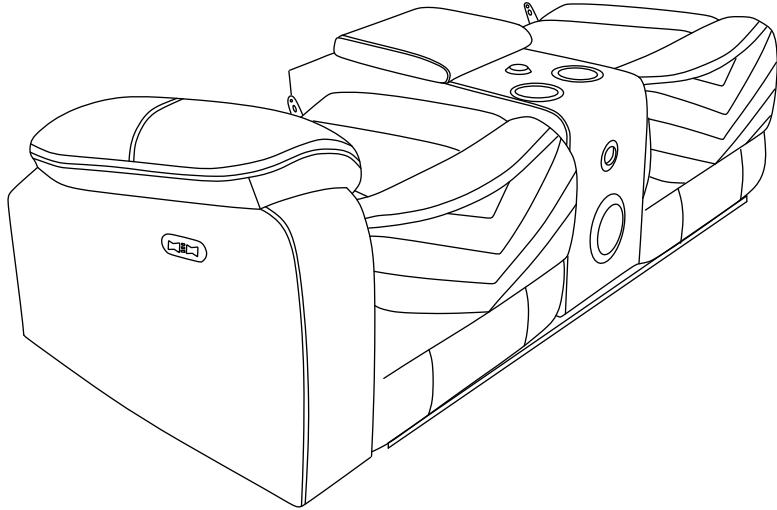


PARTS AND HARDWARE

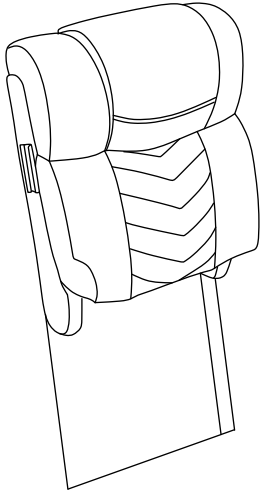
Avoid using sharp objects such as a knife to cut open packing as you may accidentally damage the upholstery



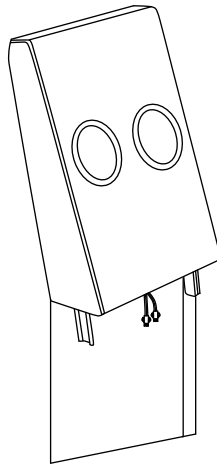
Left Ear 1x



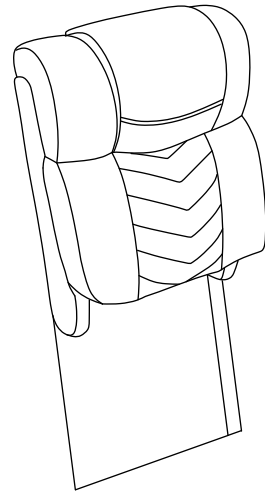
Seat Body 1x



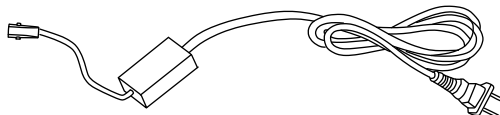
Left Backrest 1x



Console Backrest 1x



Right Backrest 1x



Adapter 1x

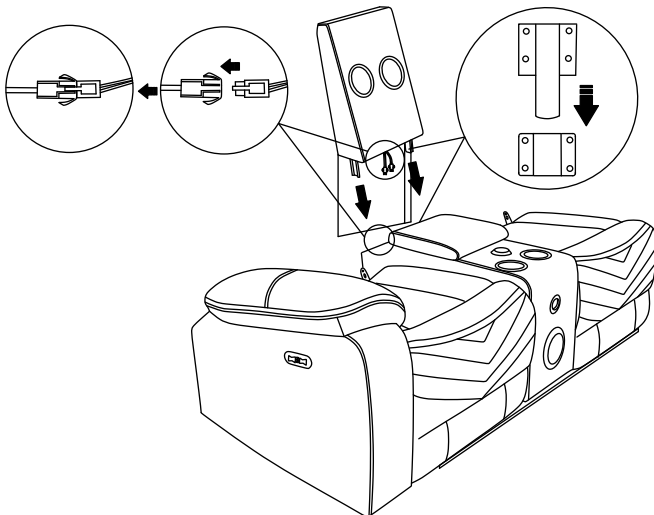
ASSEMBLY INSTRUCTIONS

CAUTION: At least two adults are required to safely complete performing this task.
Other lifting attempts may risk back injury due to large and heavy part(s)

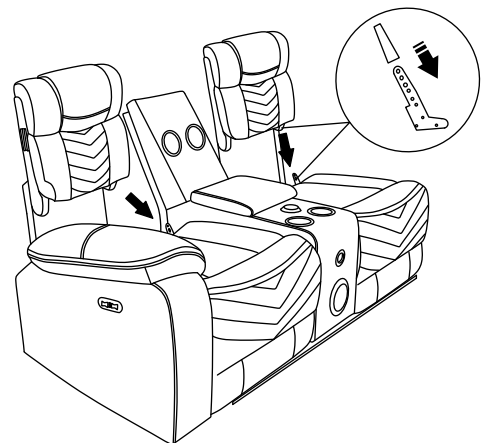


1 Carefully unpack and place parts on a clean flat surface.

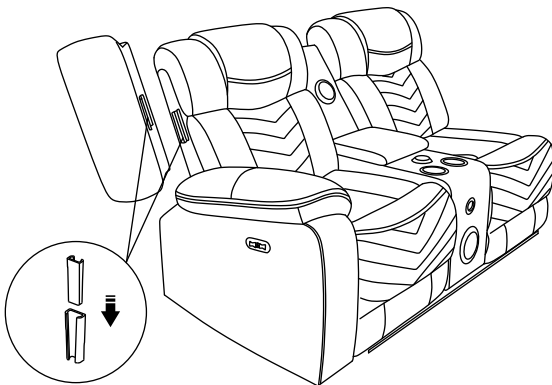
2 Attach Console Backrest to Seat Body
Ensuring it is correctly in place.



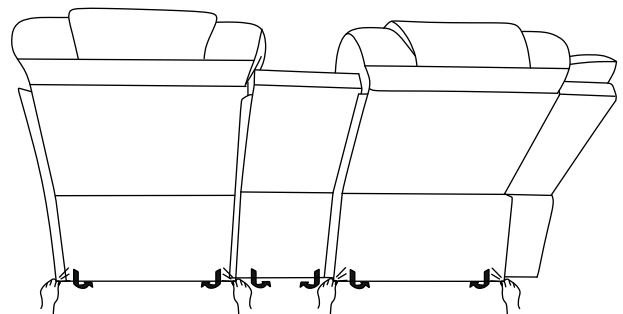
3 Attach Left and Right Backrest to Seat Body
Ensuring it is correctly in place.



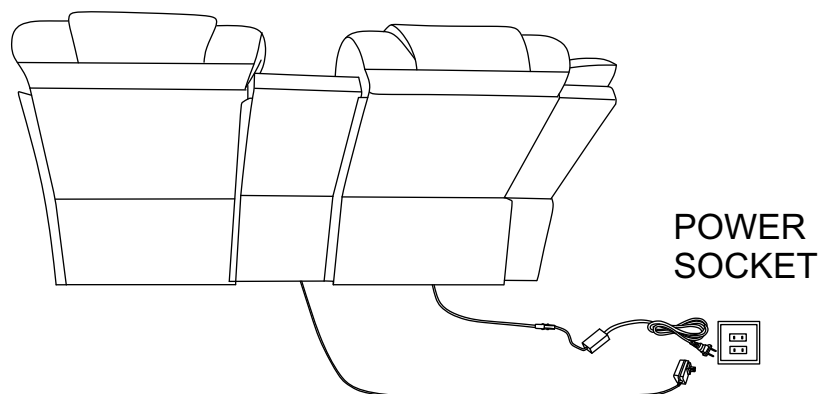
4 Attach Left Ear to Left Backrest.
Ensuring it is correctly in place.



5 Stretch and pull down rear cover evenly before
securing velcro strip to Seat Body. Repeat if
necessary for better fit.



6 Find 2 power cables under the Seat Body, one is for speaker, the other is for motion motor.
Then connect all plugs to the power socket.

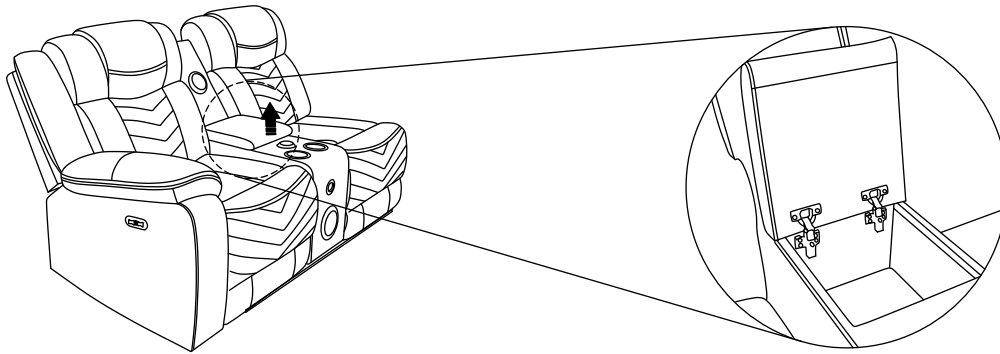


ASSEMBLY INSTRUCTIONS

CAUTION: At least two adults are required to safely complete performing this task.
Other lifting attempts may risk back injury due to large and heavy part(s)

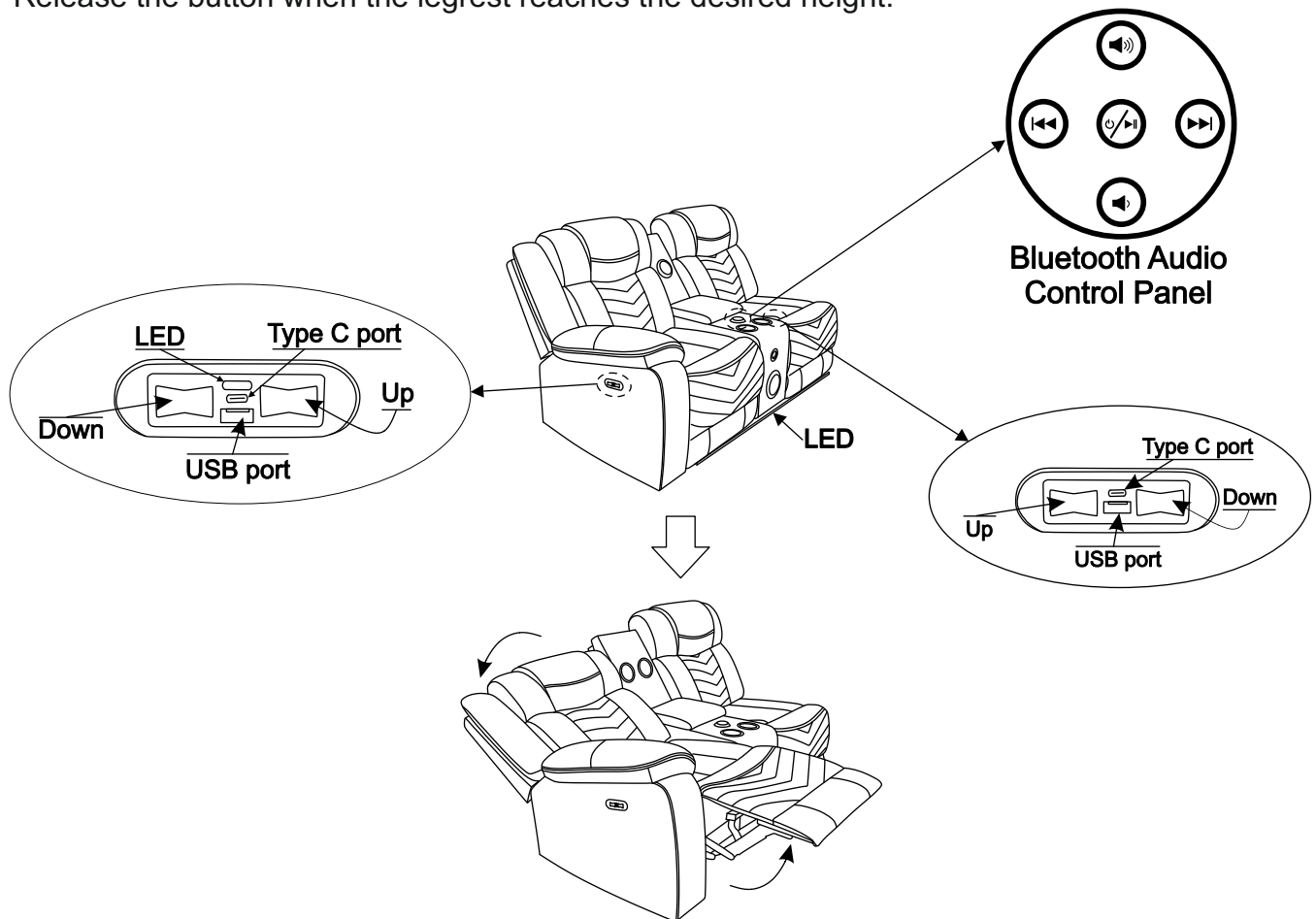


*Storage box



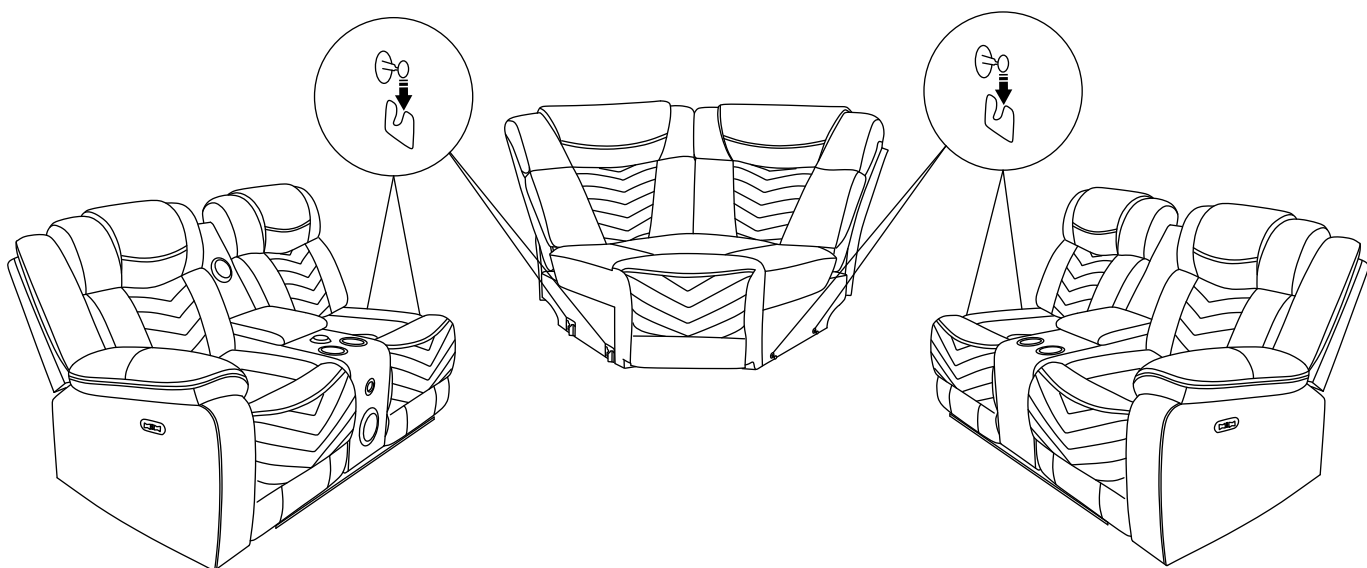
*Adjust to Legrest Position and Audio Control Panel

To raise or lower the legrest, press the respective button and hold it.
Release the button when the legrest reaches the desired height.



ASSEMBLY INSTRUCTIONS

CAUTION: At least two adults are required to safely complete performing this task.
Other lifting attempts may risk back injury due to large and heavy part(s)



LAF with speaker

WEDGE

RAF

