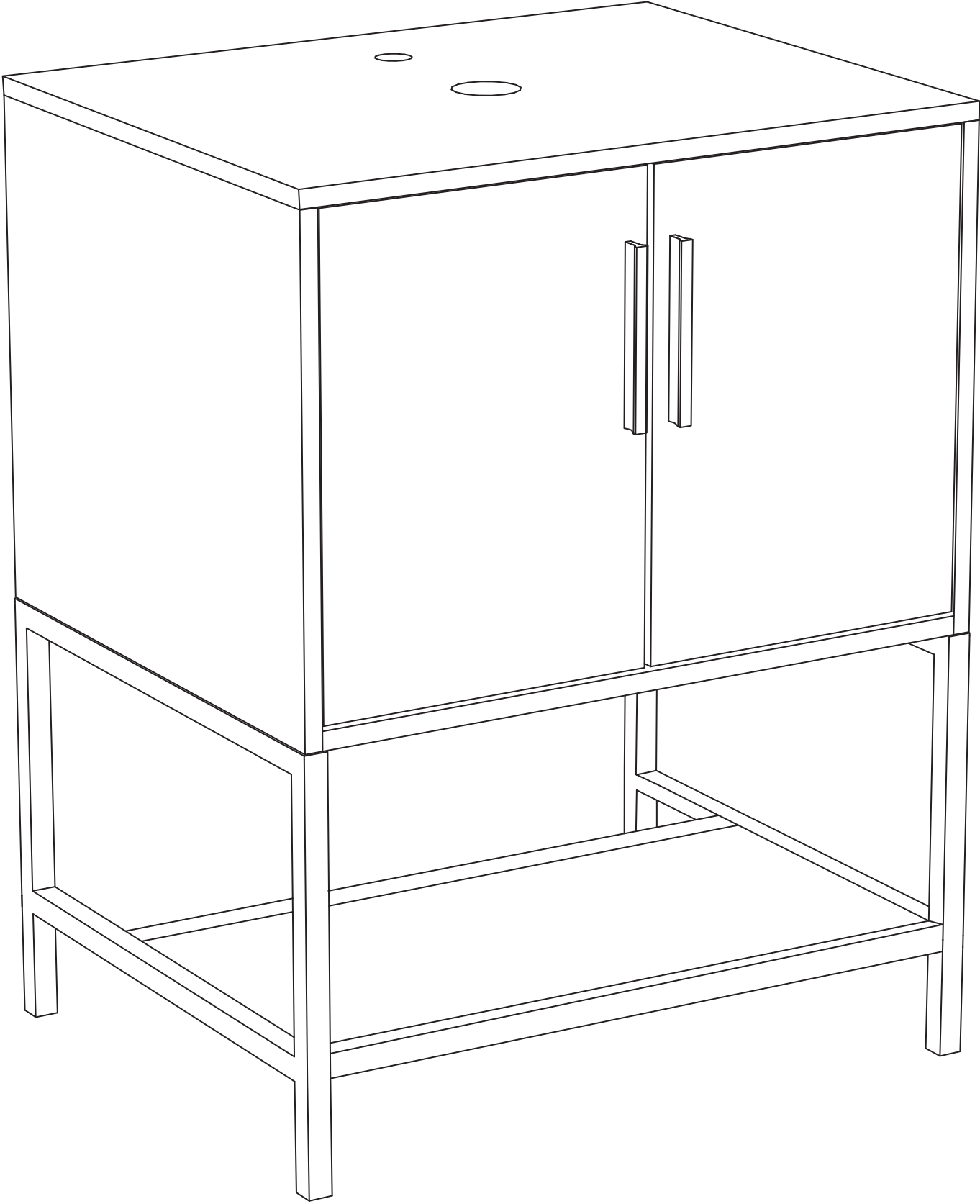


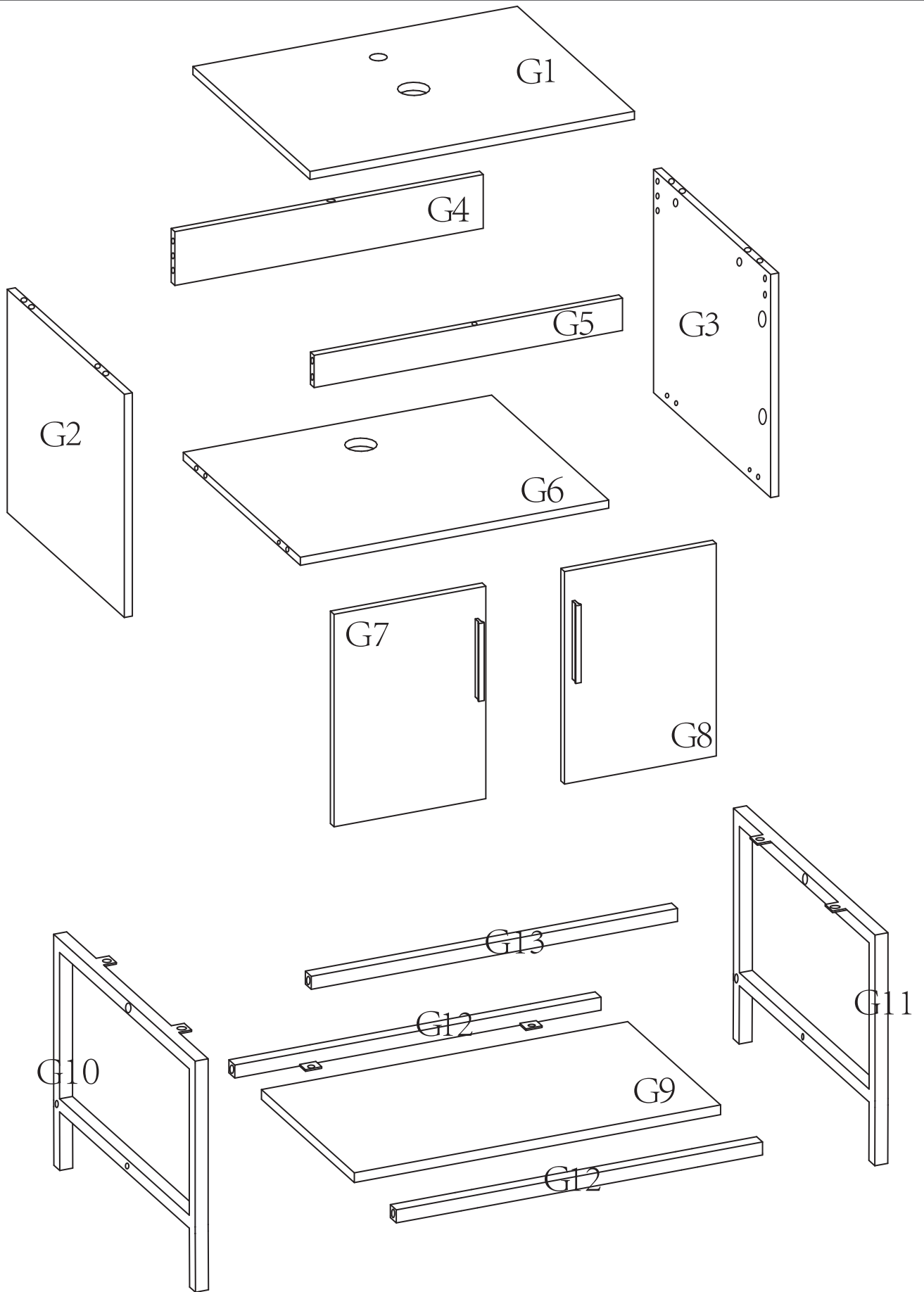


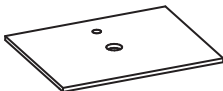
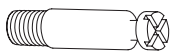

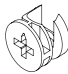
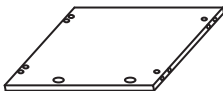


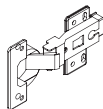


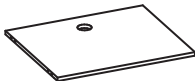


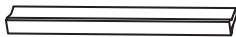
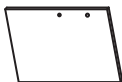
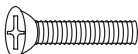


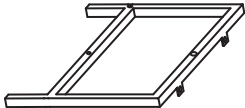



**FEEDBACK** ★★★★★



THKFBV016BR0YY

# ASSEMBLY DIAGRAM

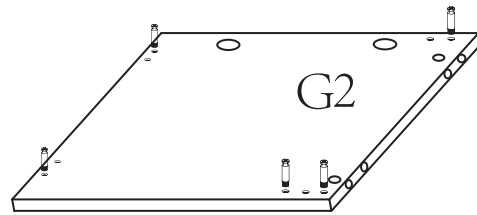
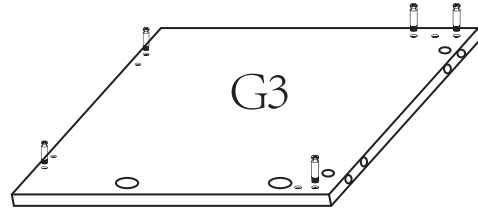
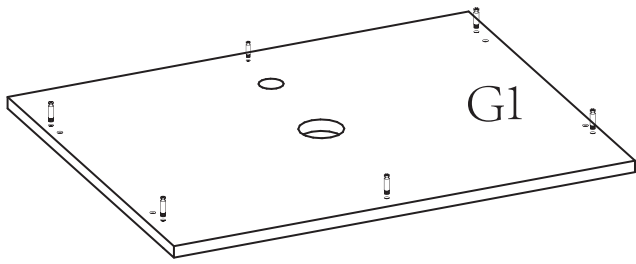
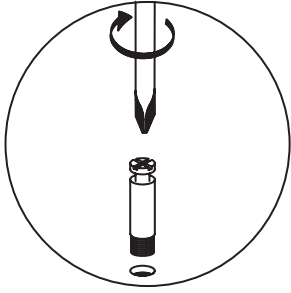


PARTS LIST			HARDWARE LIST		
NO.	DESCRIPTION	QTY	NO.	DESCRIPTION	QTY
G1		1	A		16
G2		1	B		16
G3		1	C		12
G4		1	D		4
G5		1	E	 HASCREW M6*30	6
G6		1	F	 SCREW M4*14	32
G7		1	G		2
G8		1	H		4
G9		1	I		1
G10		1			
G11		1			
G12		2			
G13		1			

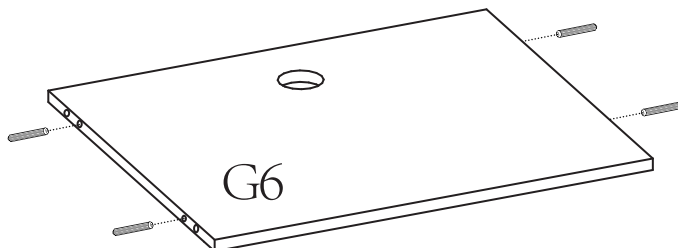
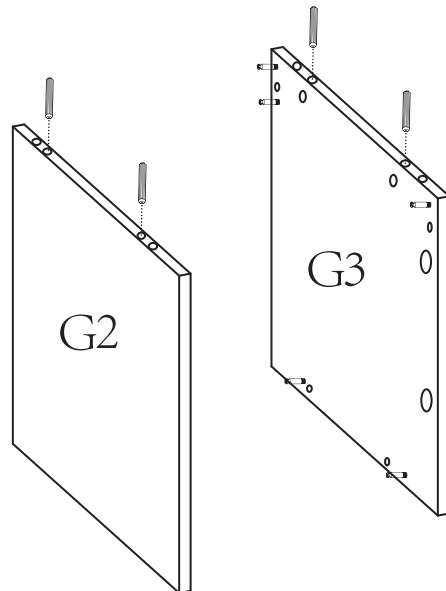
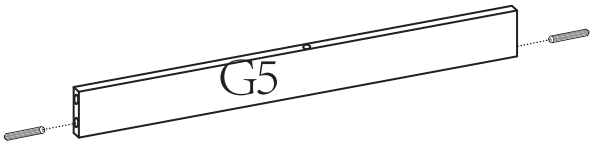
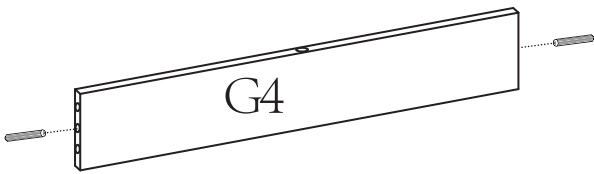
**CAUTION:** Please confirm the parts list before installtion

# INSTALLATIONS

## STEP 1



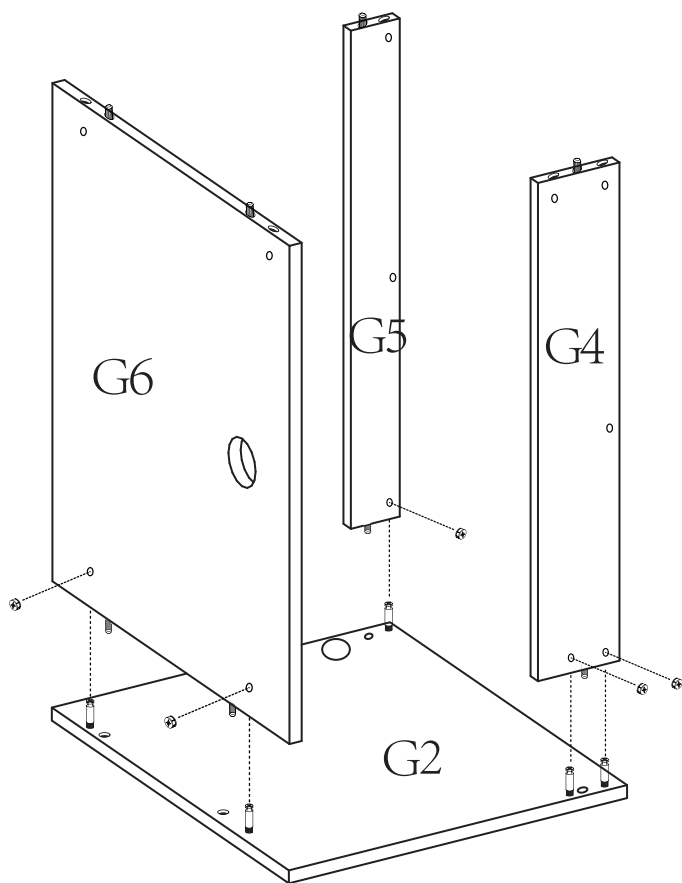
## STEP 2



# STEP3



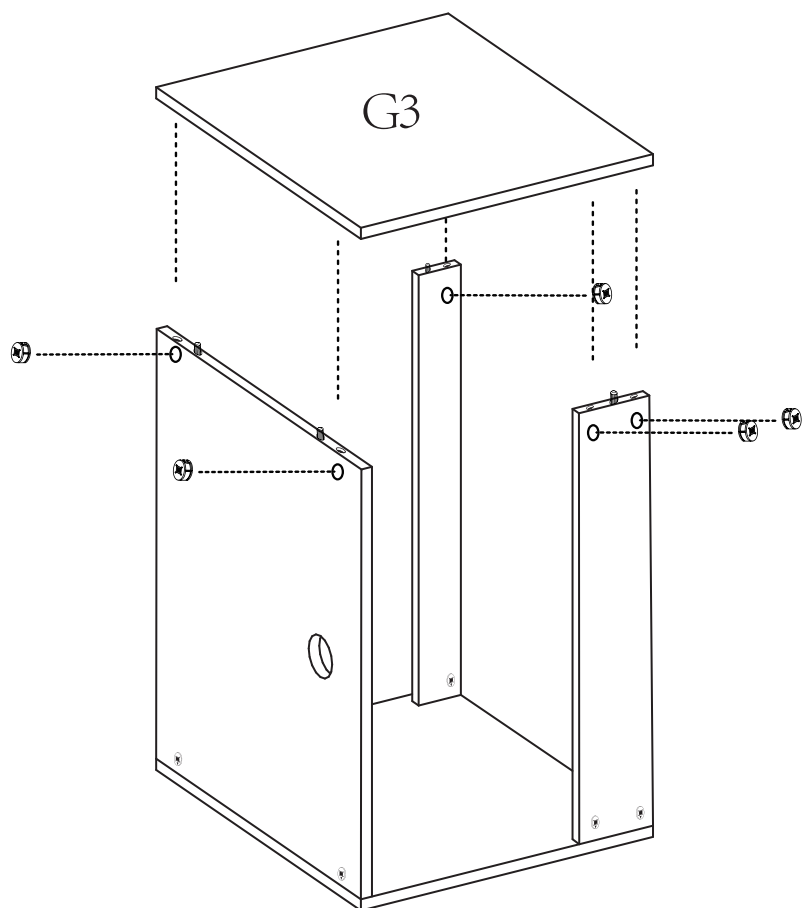
BX5



# STEP4



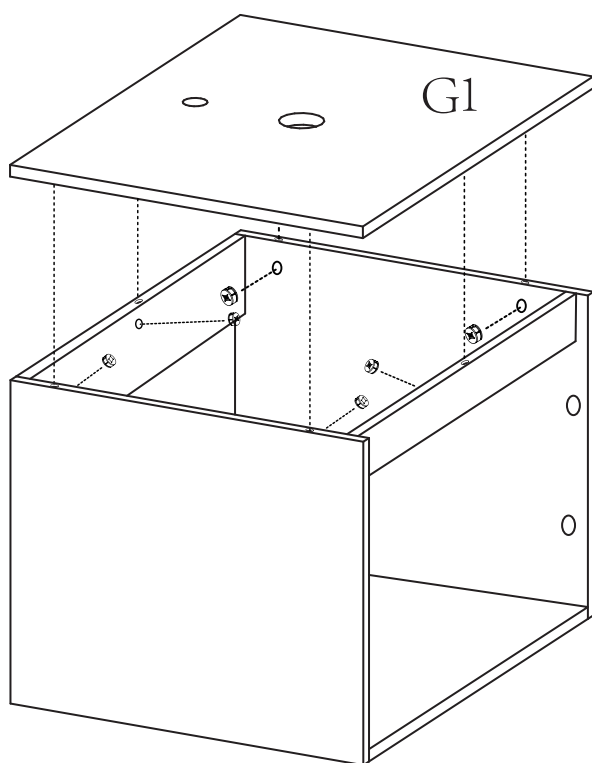
BX5



# STEP5



BX6



# STEP6



DX4



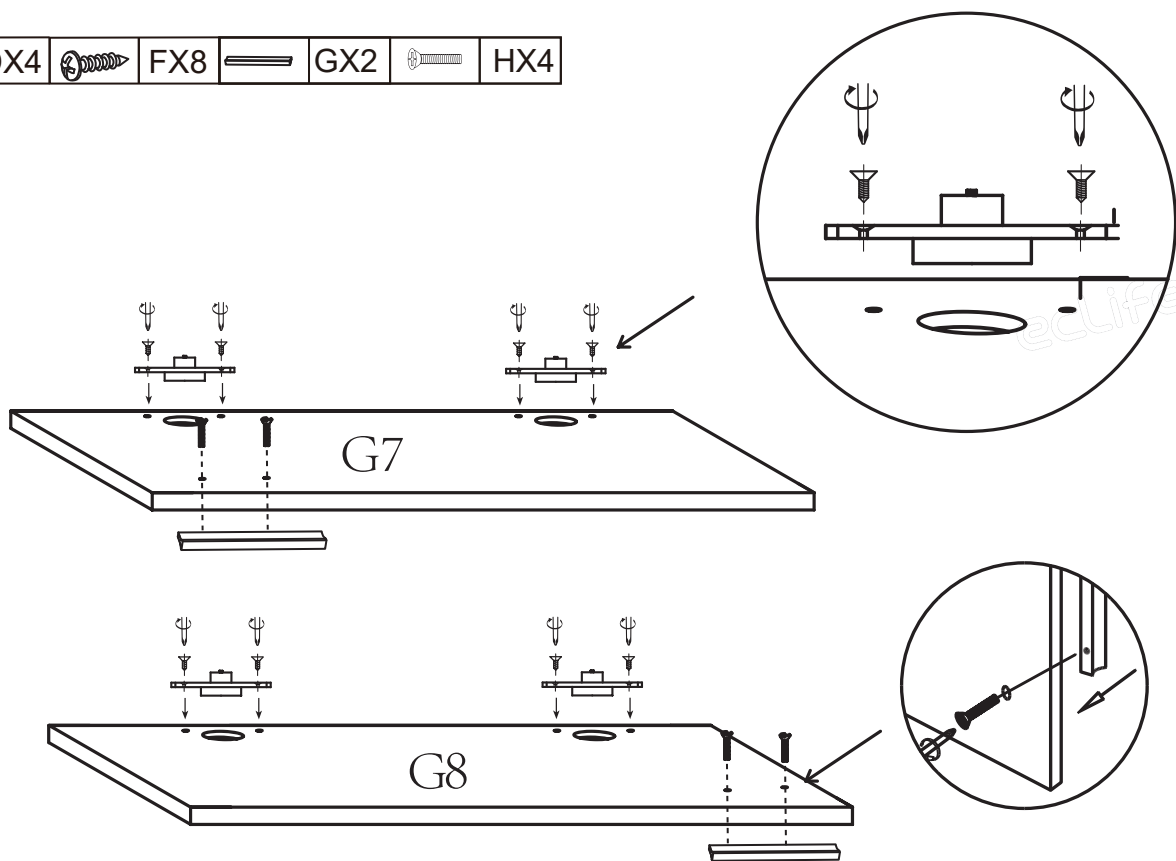
FX8



GX2



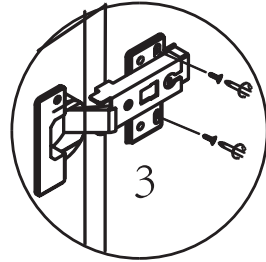
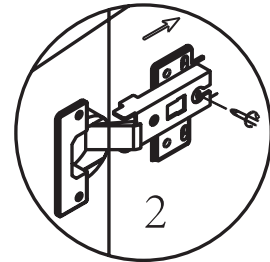
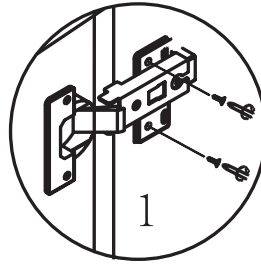
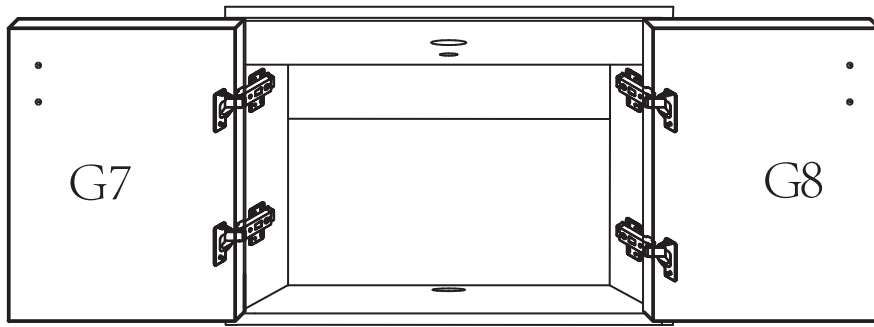
HX4



# STEP7



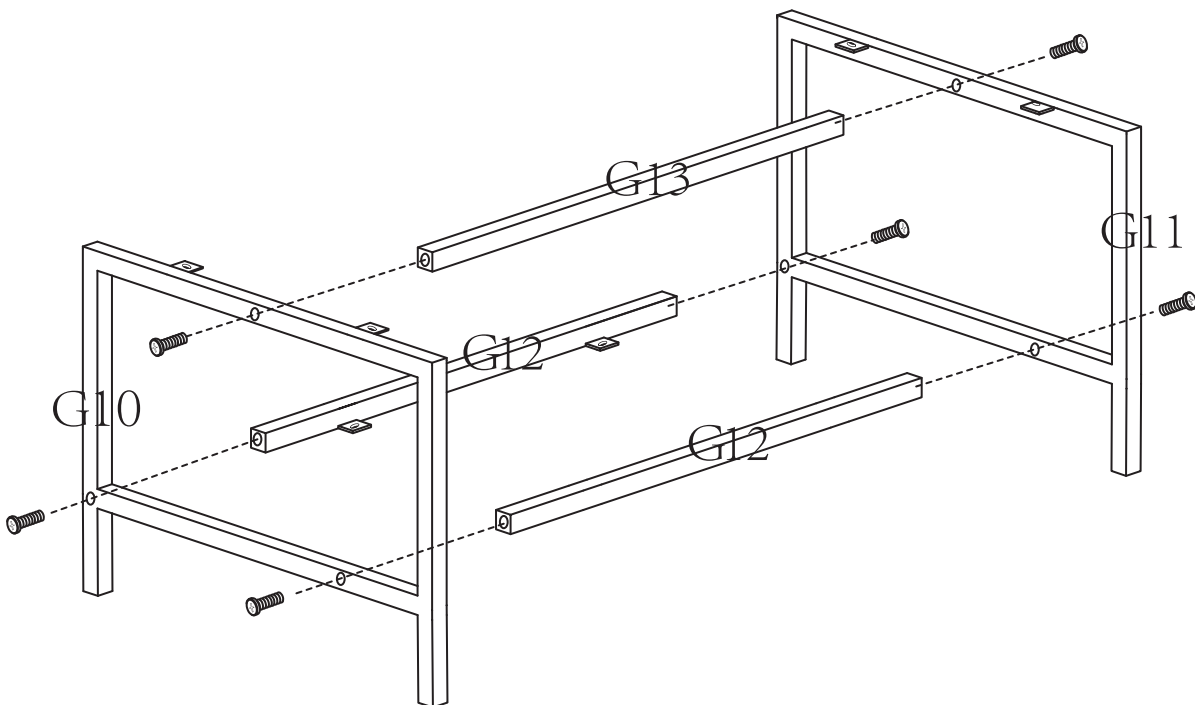
FX16



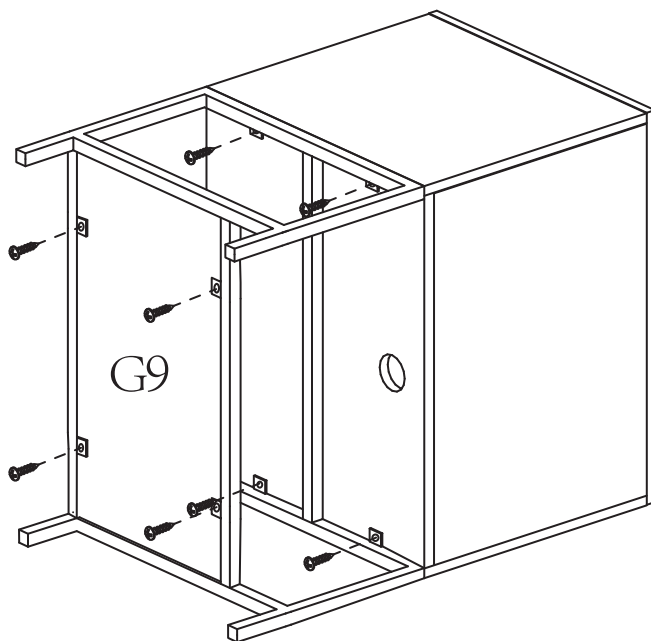
# STEP8



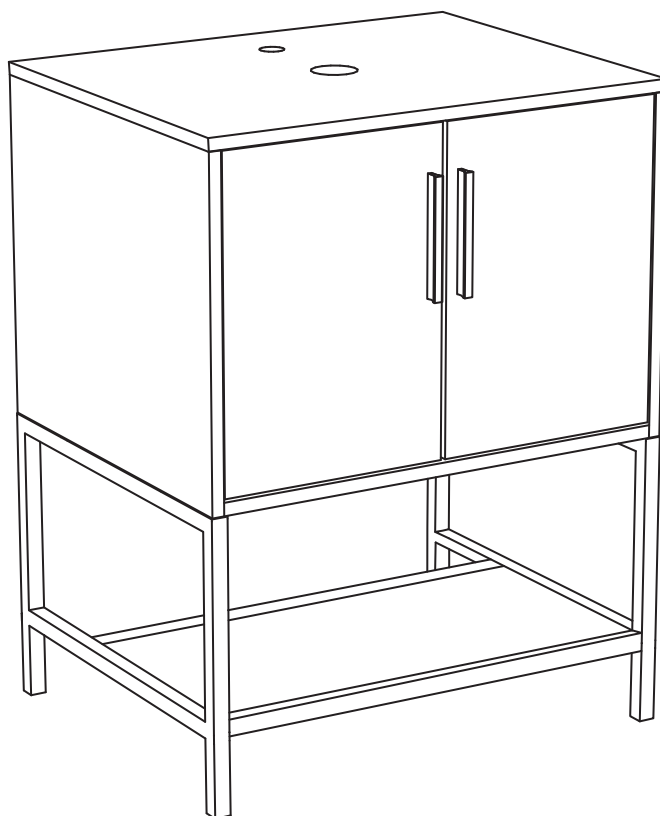
EX6



STEP9



STEP10



Thank you very much for purchasing from us.

We have always been trying to provide the best service and reliable products for every customer.

However, accident may happen sometimes, please contact us to resolve any issue before leaving a negative feedback.

Many thanks and welcome to our shop again!

**Contact number:** (323) 393-8260

**E-mail:** [support@ec-export.com](mailto:support@ec-export.com)

**[www.ec-export.com](http://www.ec-export.com)**

