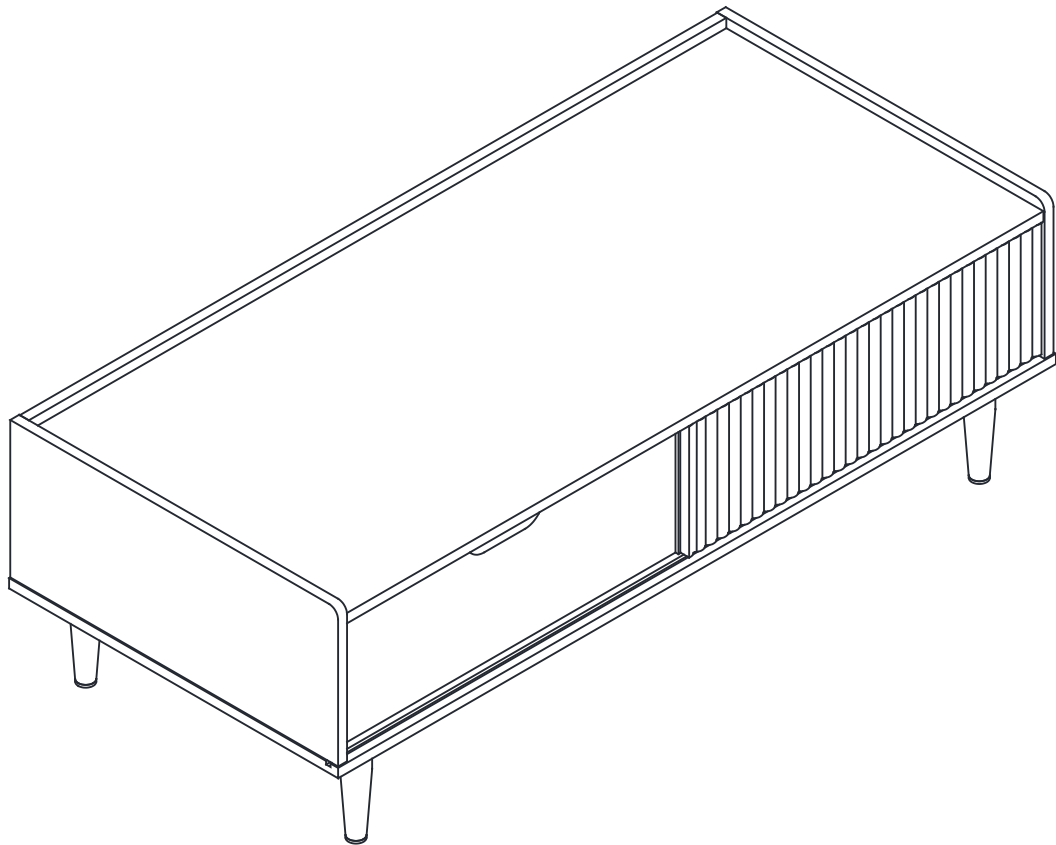




MANHATTAN
COMFORT

Duane Coffee Table CT-11GLF



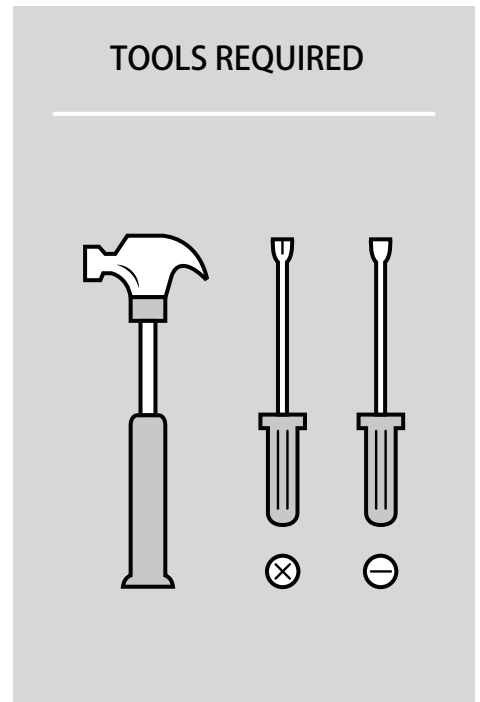
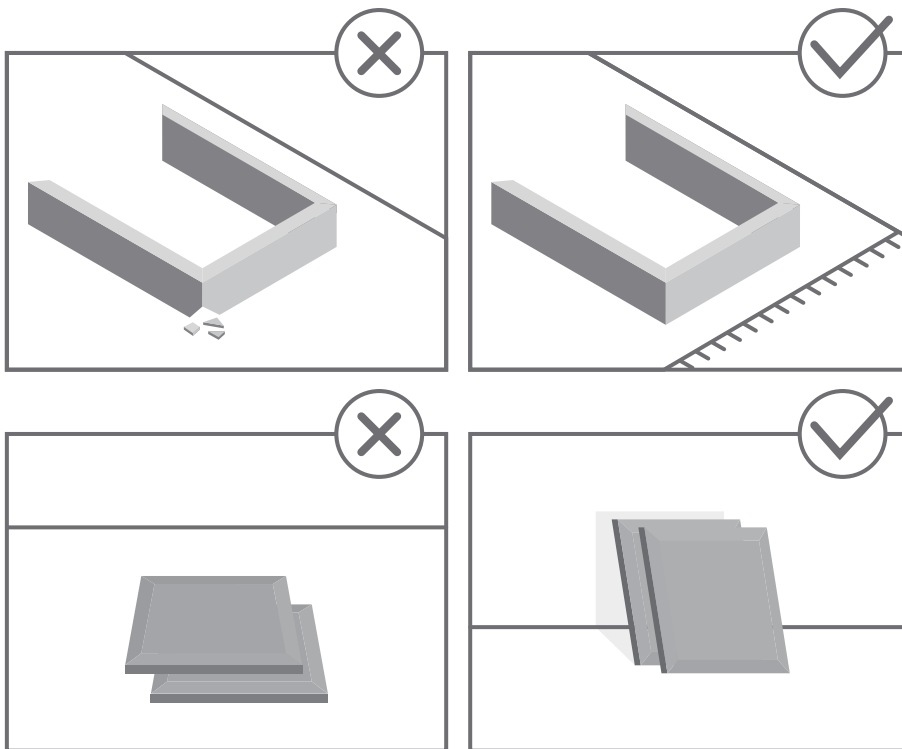


STOP!

Before beginning the assembly process, ensure all boxes and parts have been delivered.

FOR BEST RESULTS:

- Do not throw away packaging materials until assembly is complete.
- Assemble item on a soft surface, such as cardboard or carpet, to protect finish.
- Proper assembly requires two people.



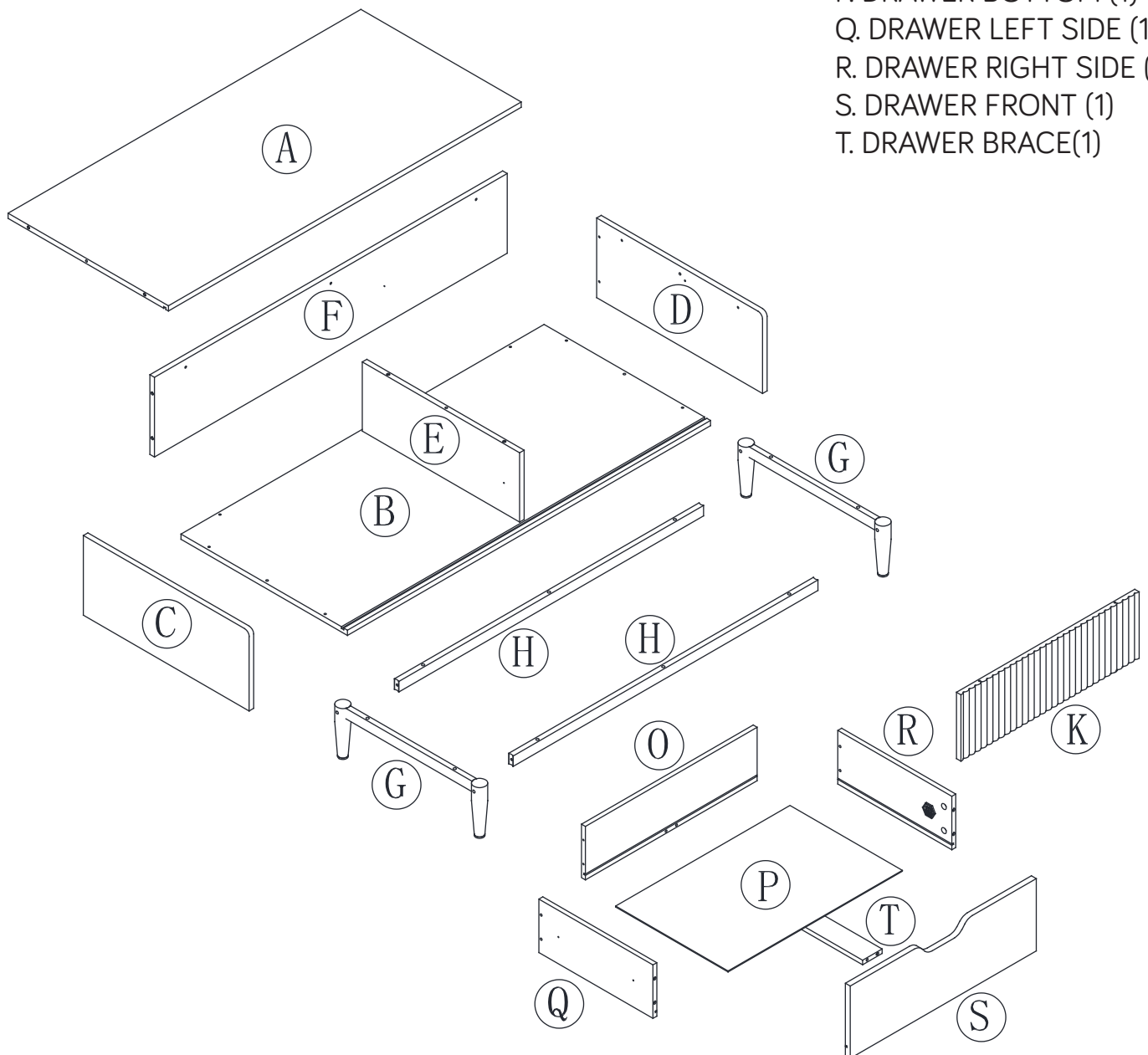
View our assembly video online:
WWW.MANHATTANCOMFORT.COM



Stuck? Question? We are here to help.
tel: 908-888-0818
e-mail: help@manhattancomfort.com

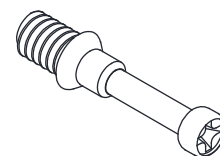
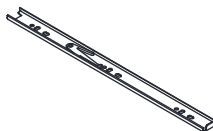
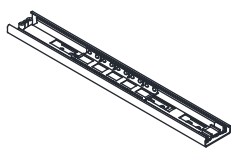
Included in this package:

- A. TOP (1)
- B. BOTTOM (1)
- C. LEFT END (1)
- D. RIGHT END (1)
- E. UPRIGHT (1)
- F. BACK (1)
- G. LEG (2)
- H. BRACE (2)
- K. DOOR (1)
- O. DRAWER BACK (1)
- P. DRAWER BOTTOM (1)
- Q. DRAWER LEFT SIDE (1)
- R. DRAWER RIGHT SIDE (1)
- S. DRAWER FRONT (1)
- T. DRAWER BRACE(1)

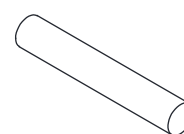
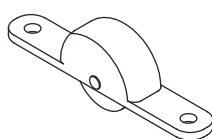
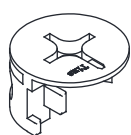


Hardware Identification

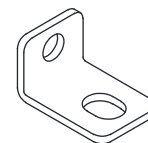
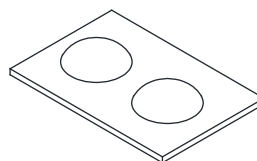
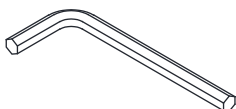
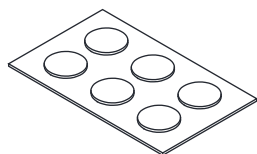
- ① EXTENSION RAIL - 2pcs ② EXTENSION SLIDE - 2pcs ③ CAM SCREW - 15pcs



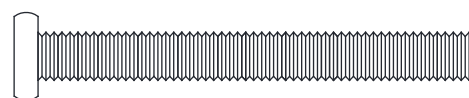
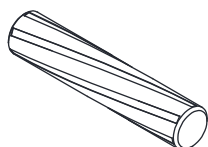
- ④ HIDDEN CAM - 15pcs ⑤ LOWER DOOR BRACKET - 2PCS ⑥ IRON BOLT - 2pcs



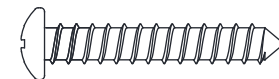
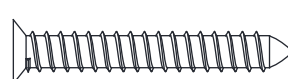
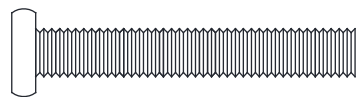
- ⑦ APPLIQUE CARD - 3pcs ⑧ L-WRENCH - 1pc ⑨ BUMPER CARD - 1pc ⑩ BRACKET - 2pcs



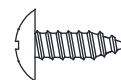
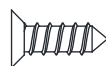
- ⑩ WOOD DOWEL - 7pcs ⑪ HEX HEAD SCREW M6*55mm - 4pcs



- ⑫ HEX HEAD SCREW M6*40mm - 10pcs ⑬ FLAT HEAD SCREW M5*35MM - 12pcs ⑭ PAN HEAD SCREW M5*30MM - 6pcs



- ⑮ FLAT HEAD SCREW M3*15mm - 4PCS ⑯ FLAT HEAD SCREW M4*12mm - 8pcs ⑰ PAN HEAD SCREW M4*12MM - 4pcs





MANHATTAN
COMFORT

WARRANTY POLICY

All Manhattan Comfort furniture products are warranted, to the original purchaser at the time of purchase and for a period of 30 days thereafter.

Our warranty is limited to new products purchased in factory sealed cartons. This warranty is valid in the United States of America and Canada.

In order to provide you with timely assistance, please thoroughly inspect your furniture for missing or defective parts immediately after opening the carton.

Manhattan Comfort offers a 30-day parts replacement warranty on all items.

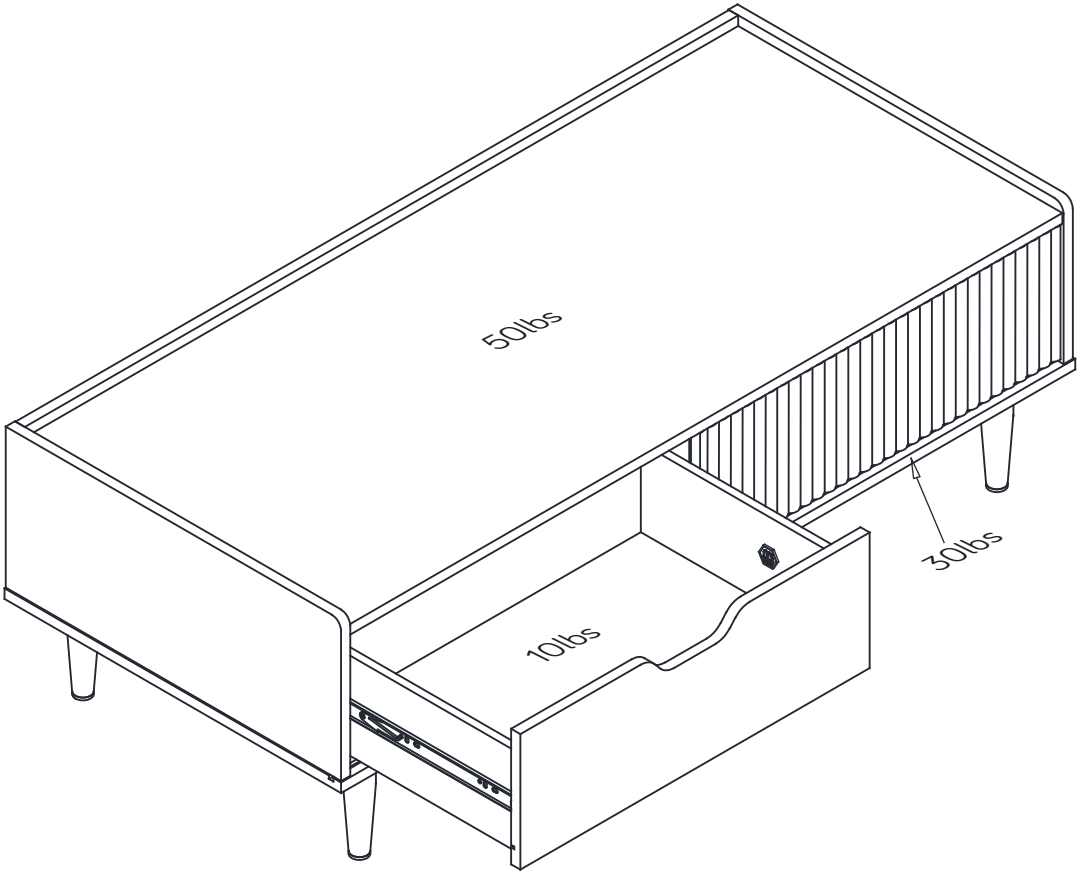
Our furniture products are not intended for outdoor use.

THE WARRANTY DOES NOT COVER:

- Defects/damages by improper assembly or disassembly.
- Defects/damages caused by shipping. Claims for damage during transit should be placed immediately to the transportation company.
- Defects/damages caused by inappropriate use of the furniture.

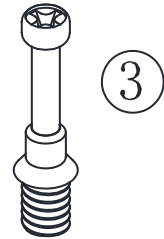
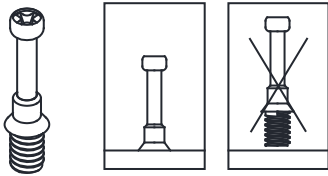


319 Ridge Rd. Dayton, NJ 08810
908-888-0818

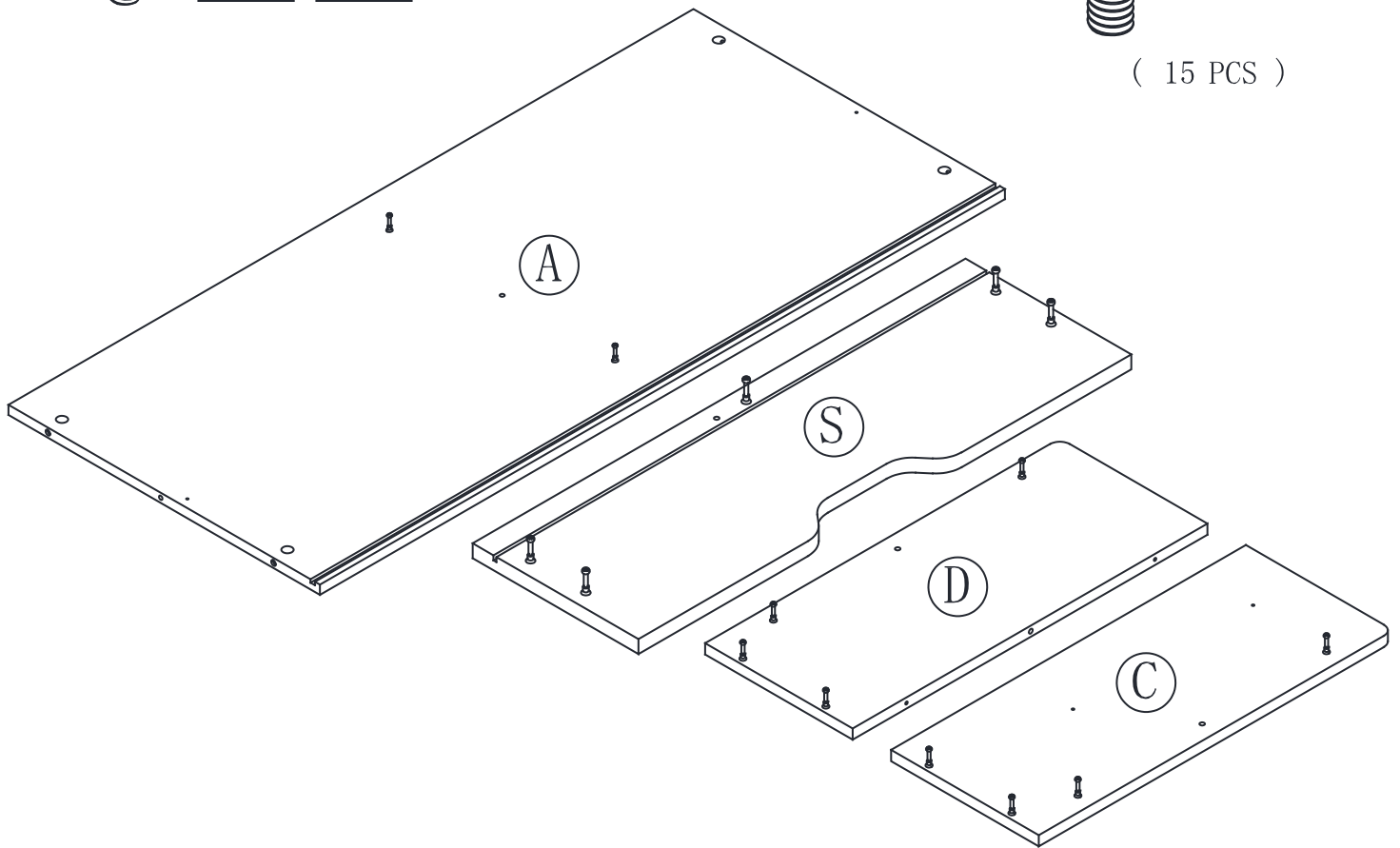


Step 1

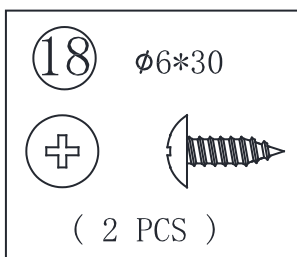
- ◆ Assemble your unit on a carpeted floor or on the empty carton to avoid scratching your unit or the floor.
- ◆ Turn fifteen CAM SCREWS (3) into the exact holes shown in the ENDS (D and C), TOP (A) and DRAWER FRONT (S).
- ◆ Fasten the L BRACKET (17) to the ENDS (C and D). Use two PAN HEAD SCREWS (18).



(15 PCS)

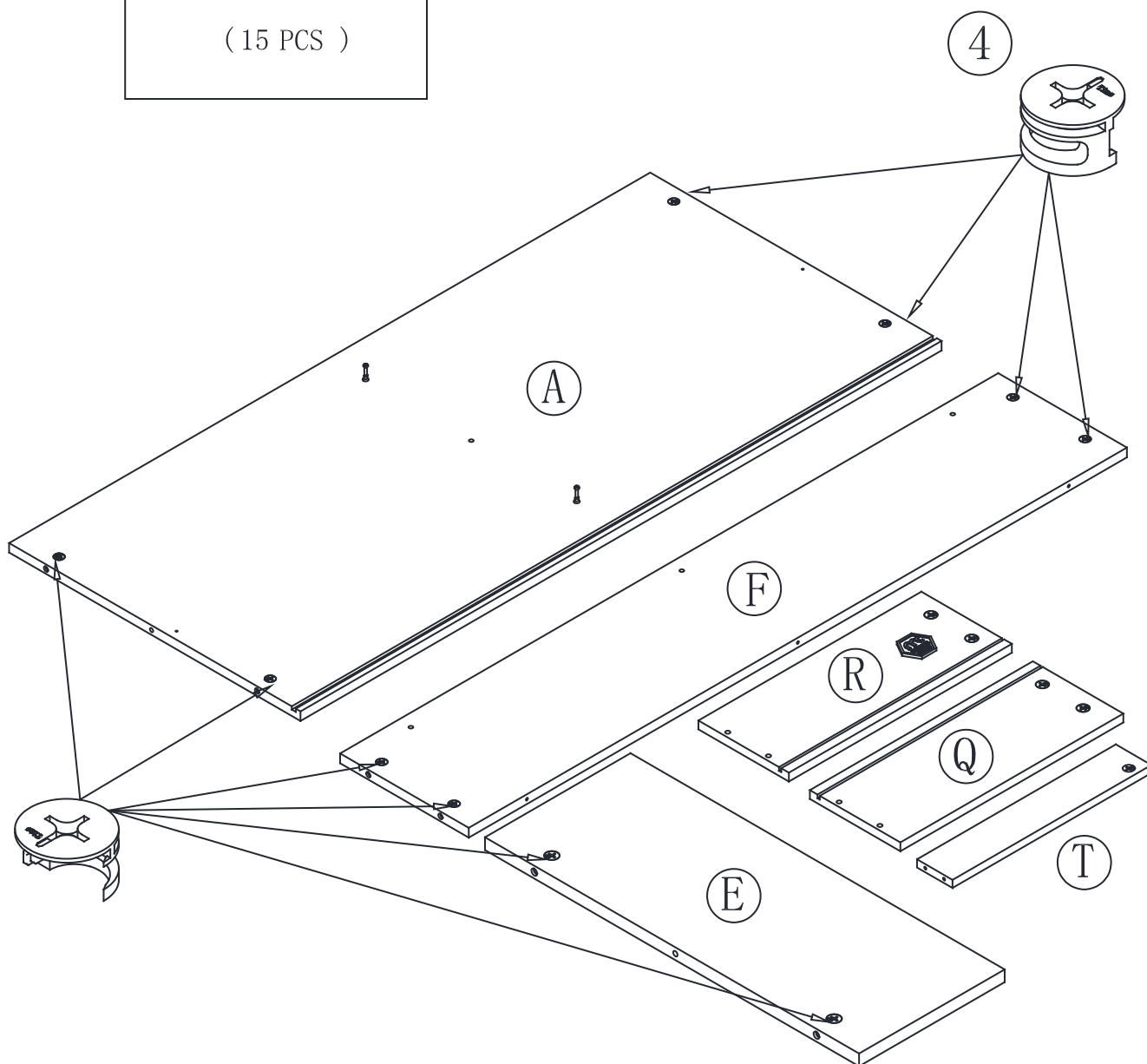
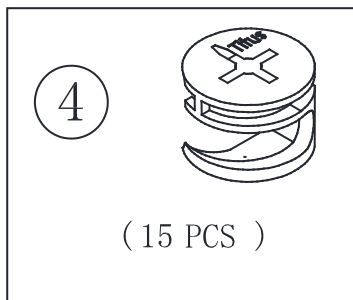


(2 PCS)



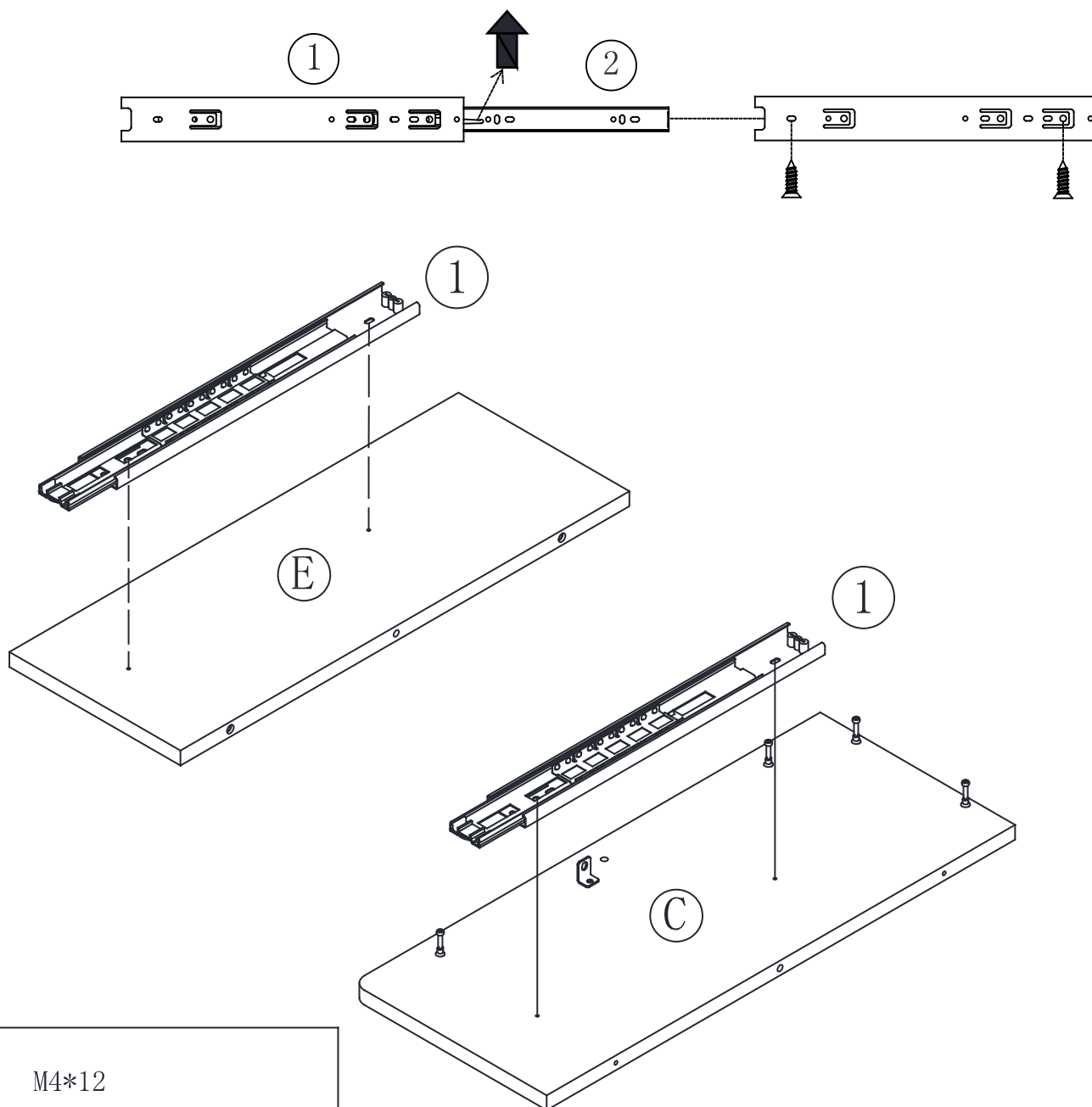
Step 2

- ◆ Push fifteen HIDDEN CAMS (4) into the TOP (A), UPRIGHT(E), DRAWER BRACE(T), BACK(F) and DRAWER SIDES(R and Q).



Step 3

- ◆ Separate the EXTENSION SLIDES (2) from the EXTENSION RAILS (1) as shown in the upper diagram below. Be prepared, the parts are greasy.
- ◆ Fasten two EXTENSION RAILS (1) to the LEFT END (C) and the UPRIGHT (E). Use four FLAT HEAD SCREWS (16) through the exact holes shown.



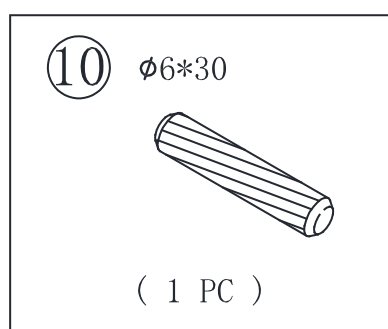
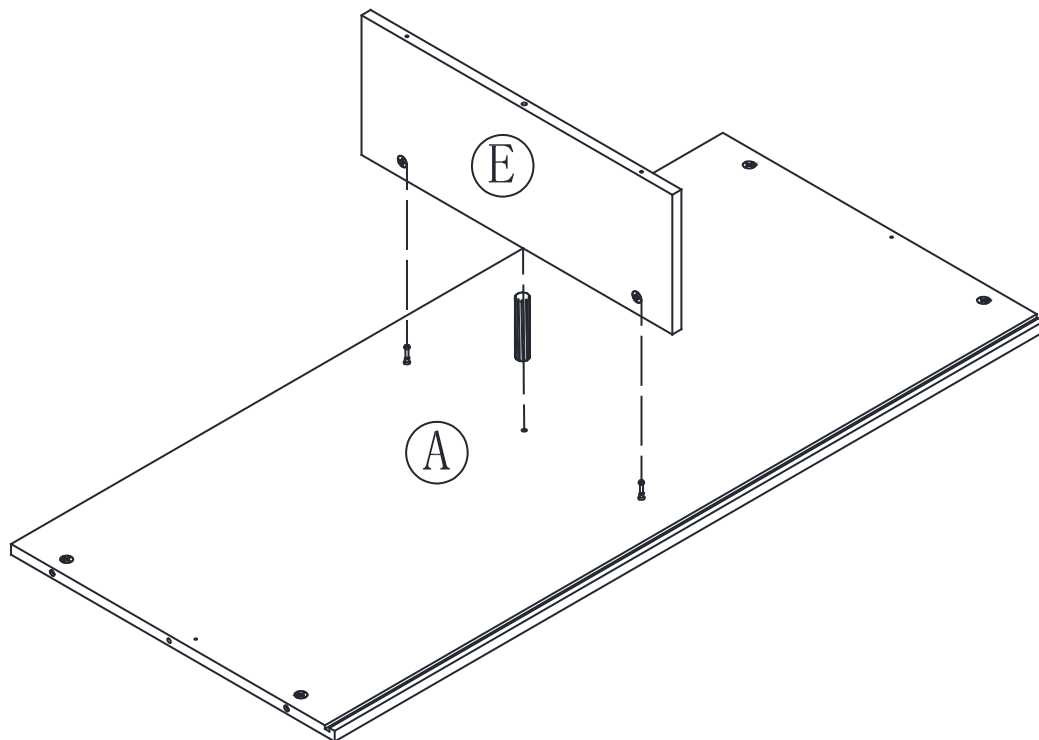
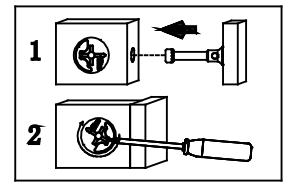
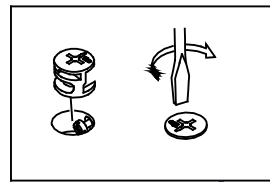
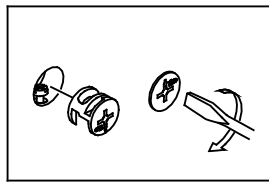
①⑥ M4*12



(4 PCS)

Step 4

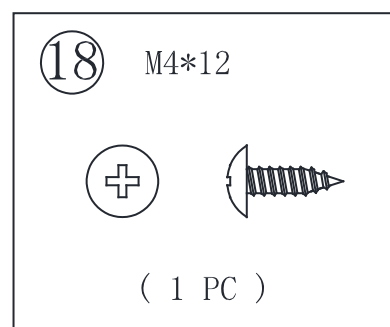
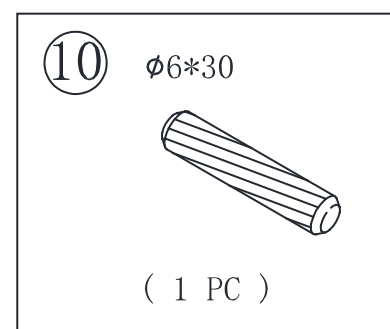
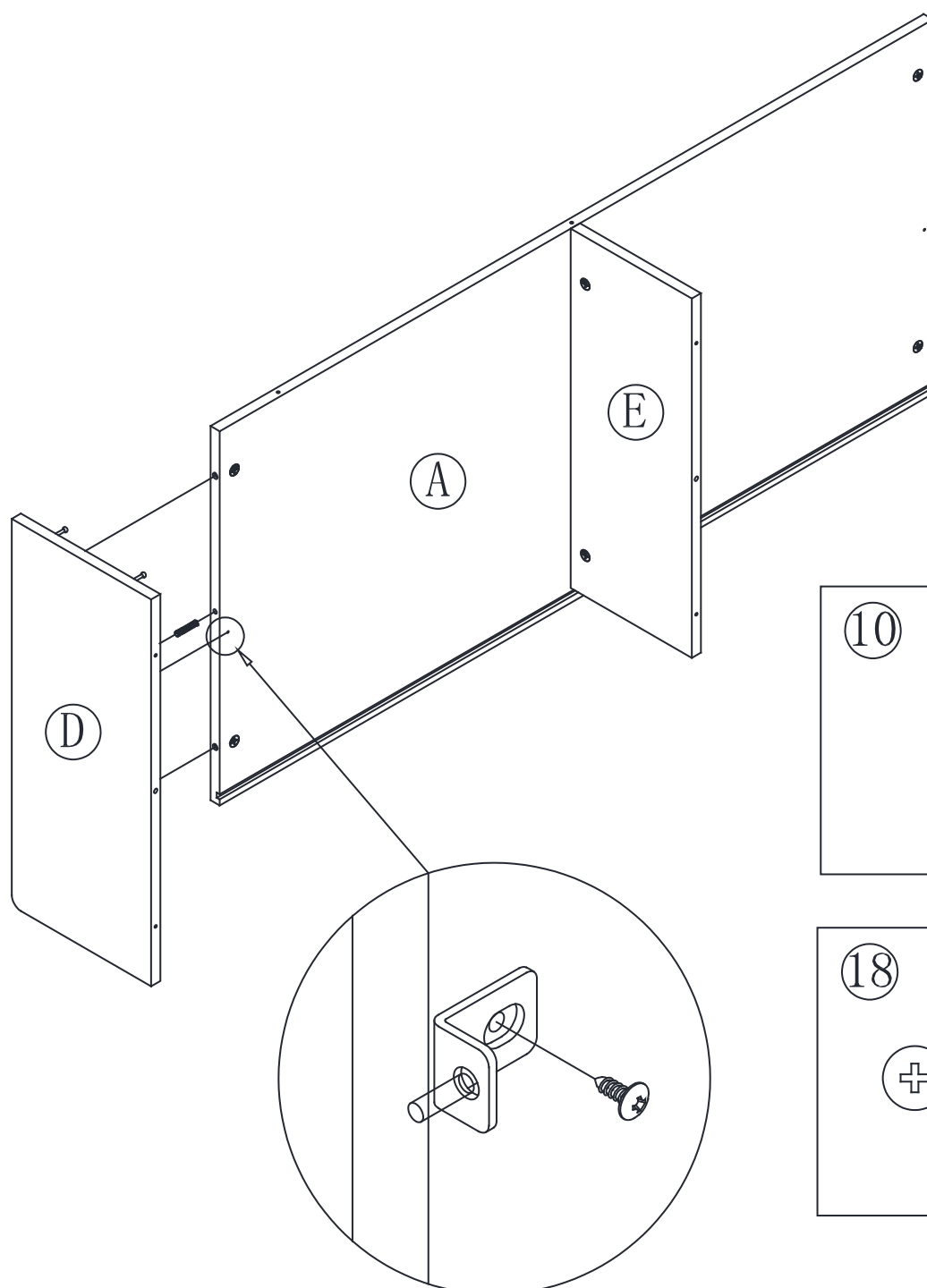
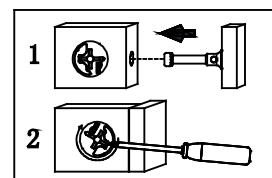
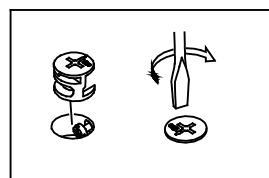
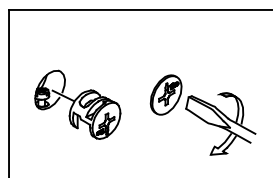
- ◆ Insert one WOOD DOWEL (10) into the TOP (A).
Fasten the UPRIGHT (E) to the TOP (A). Tighten two HIDDEN CAMS.



Step 5

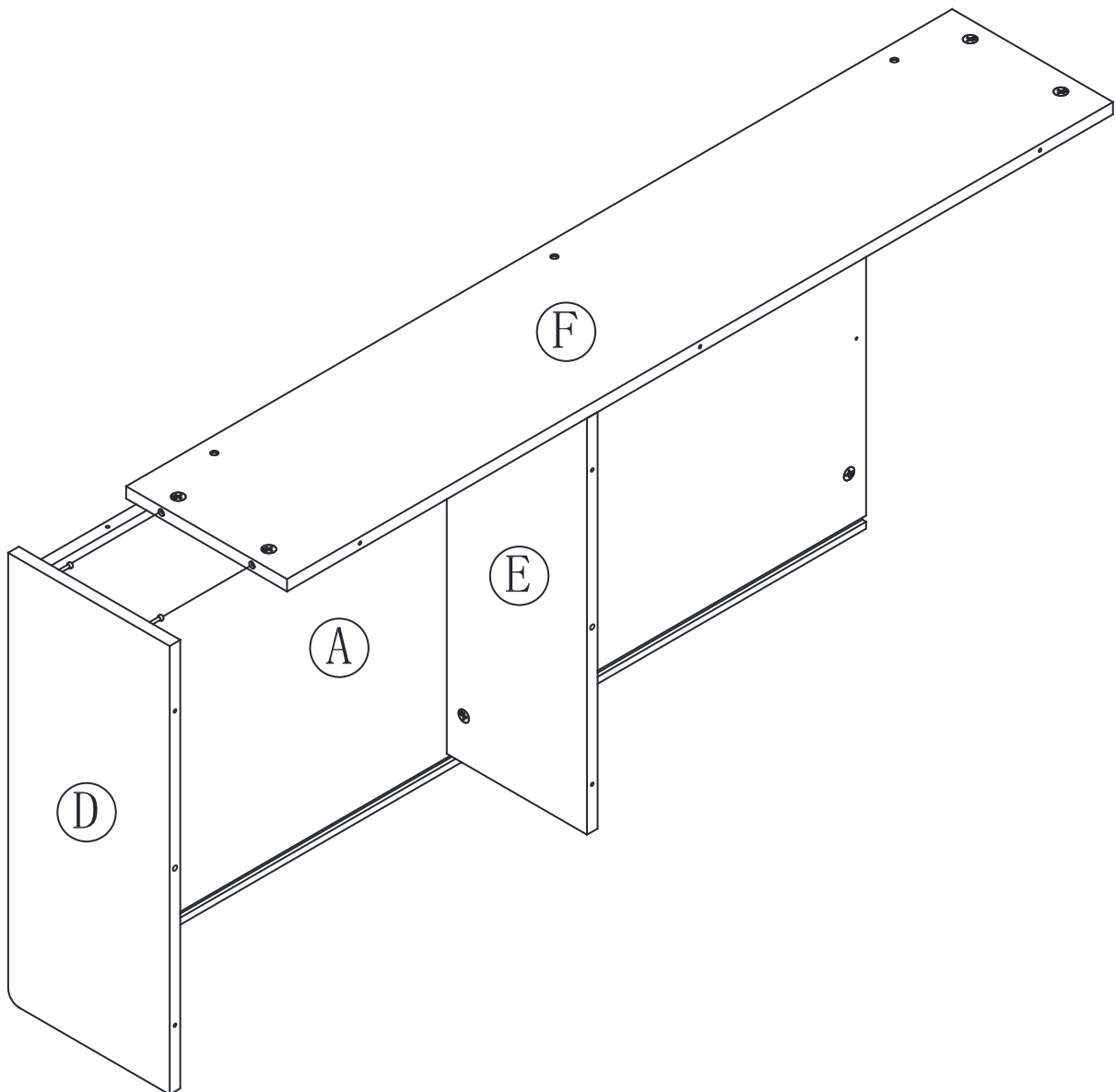
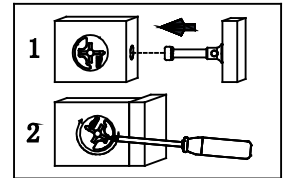
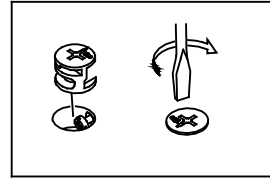
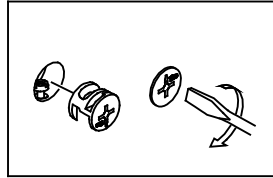
◆ Insert one WOOD DOWEL (10) to the TOP (A).

◆ Fasten the RIGHT END (D) to the TOP (A). Use one PAN HEAD SCREW (18), and tighten two HIDDEN CAMS.



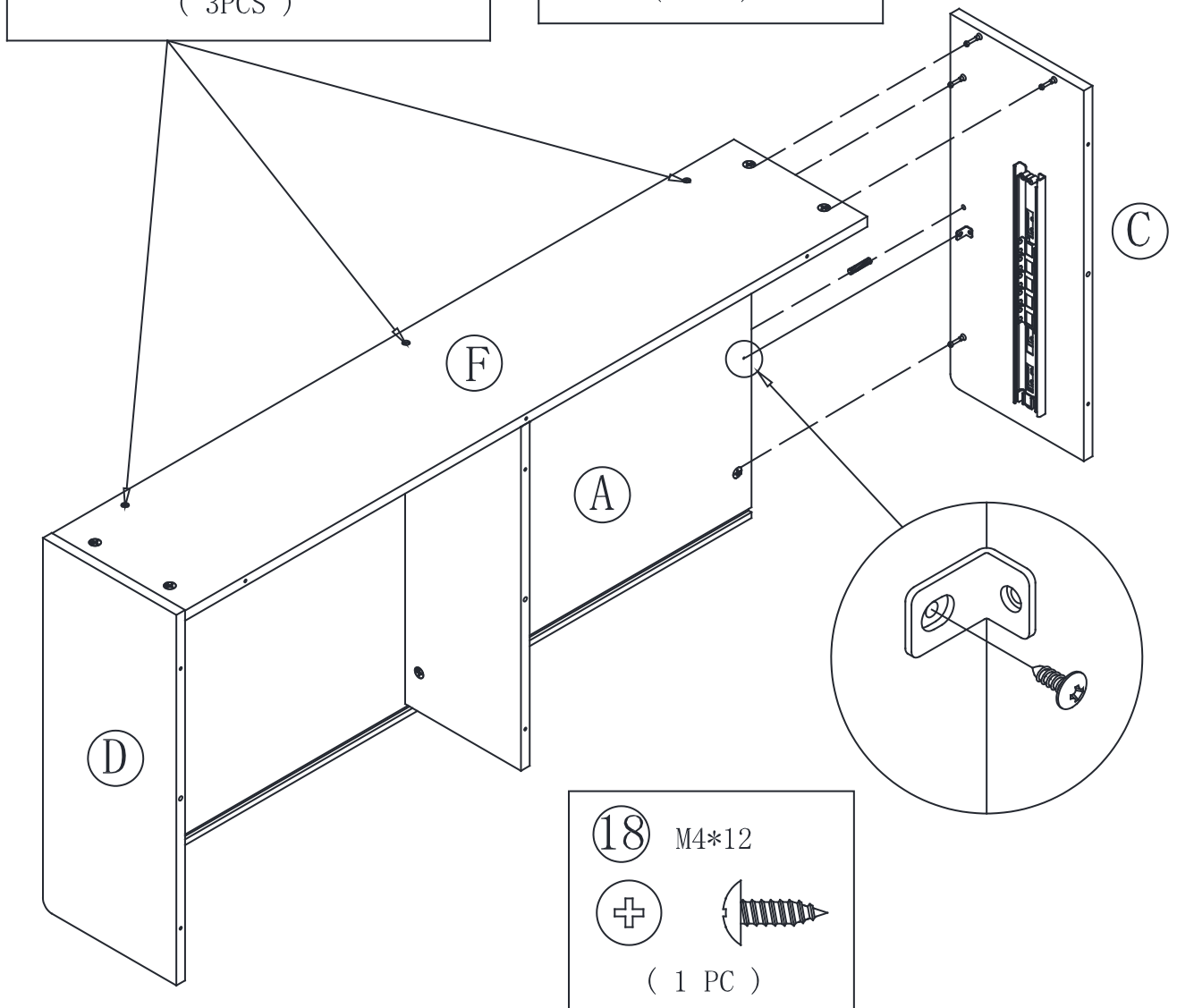
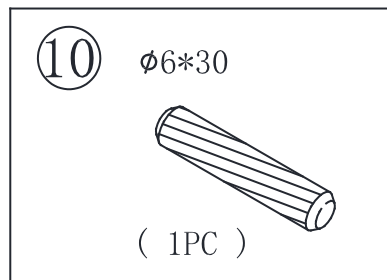
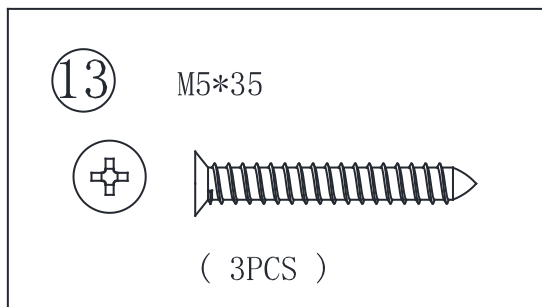
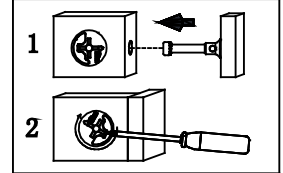
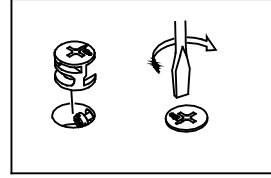
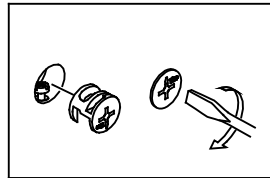
Step 6

◆ Fasten the BACK (F) to the RIGHT END (D). Tighten two HIDDEN CAMS.



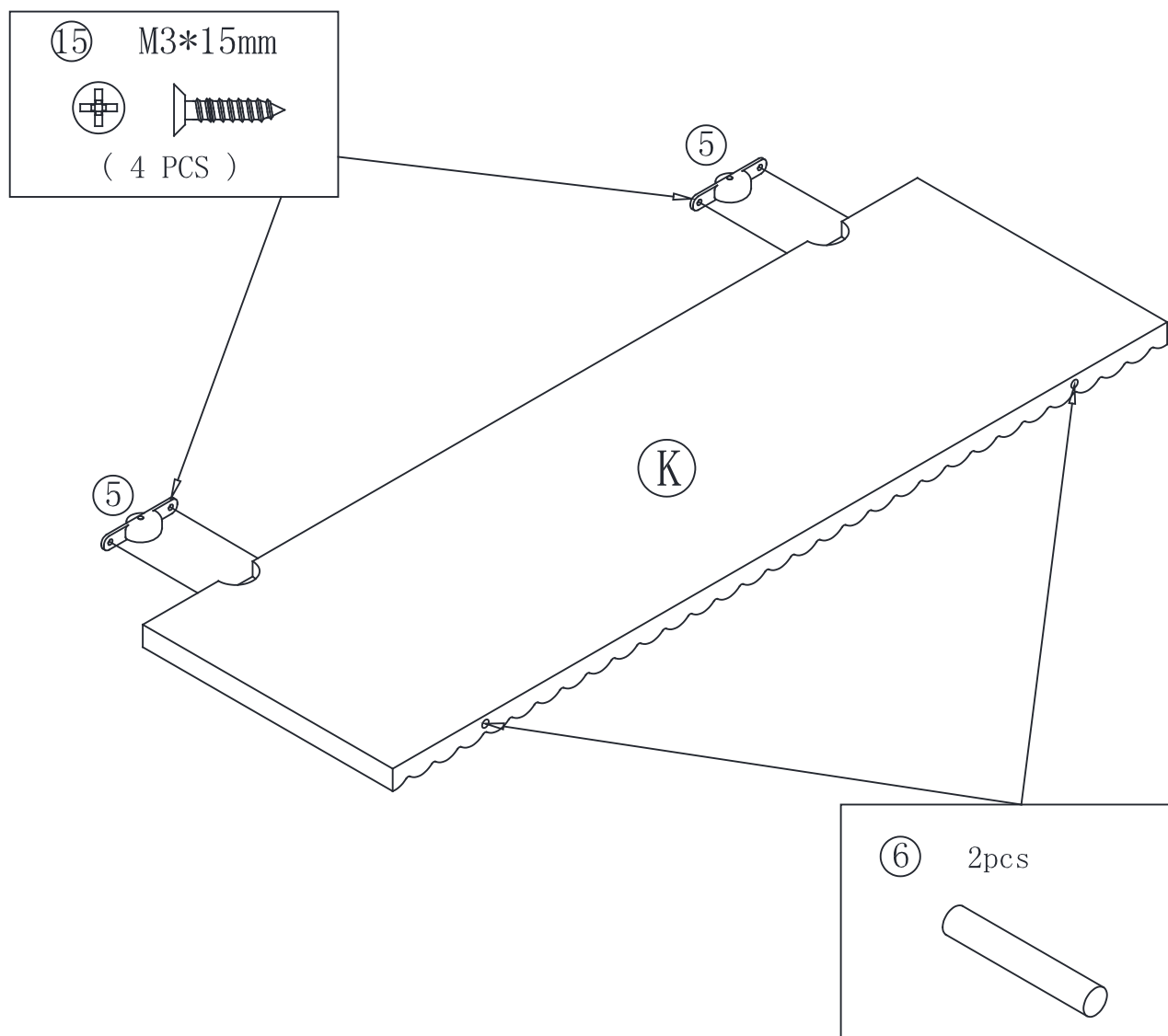
Step 7

- ◆ Insert one WOOD DOWEL (10) to the TOP (A).
- ◆ Fasten the BACK (F) to the TOP (A). Use three FLAT HEAD SCREWS (13).
- ◆ Fasten the LEFT END (C) to the TOP (A) and the BACK (F). Use one PAN HEAD SCREW (18) and tighten four HIDDEN CAMS.



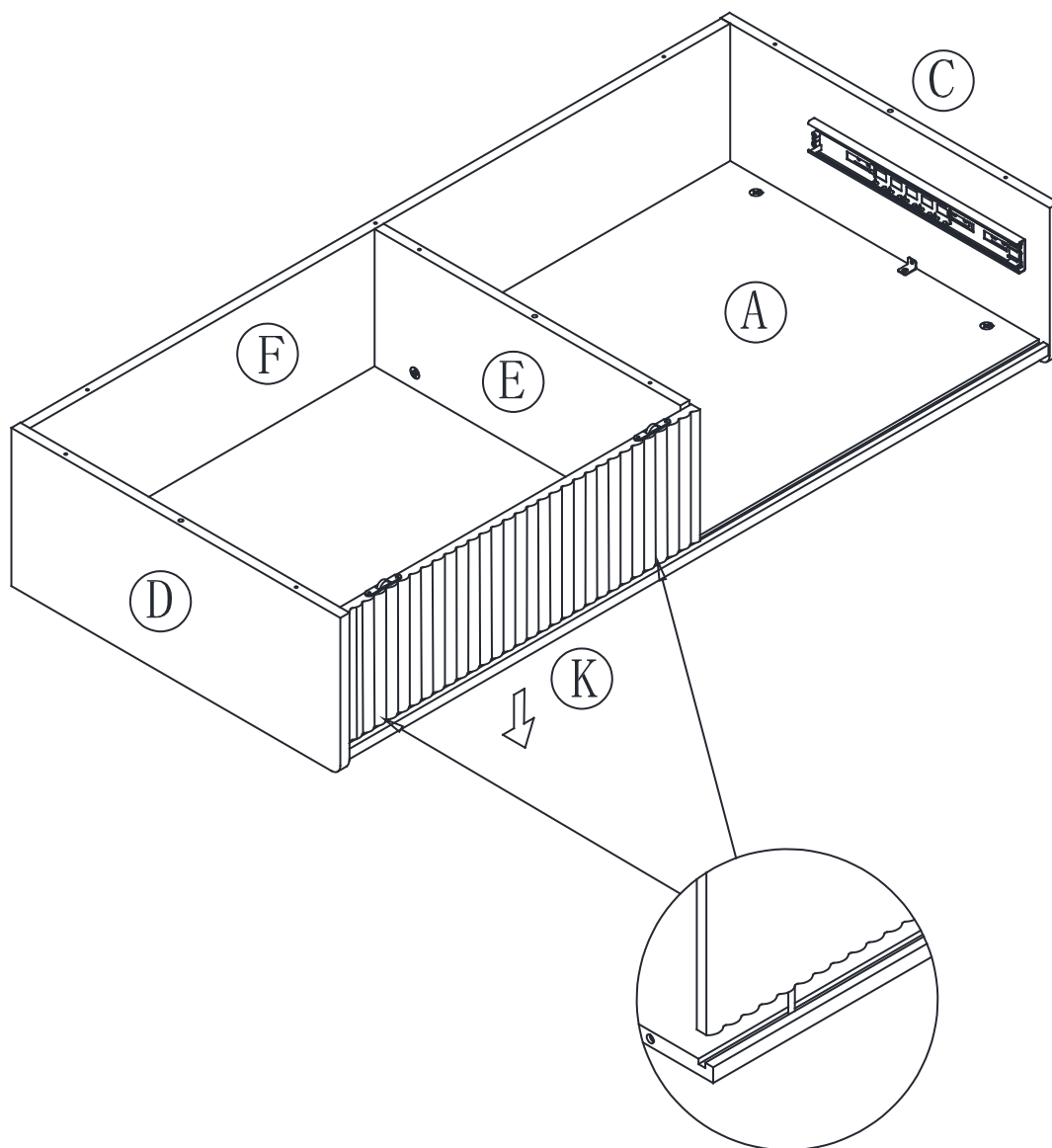
Step 8

- ◆ Insert two BOLT (6) into the holes of the DOOR (K).
- ◆ Fasten the LOWER BRACKETS (5) to the bottom of the DOOR (K). Use four FLAT HEAD SCREWS (15).



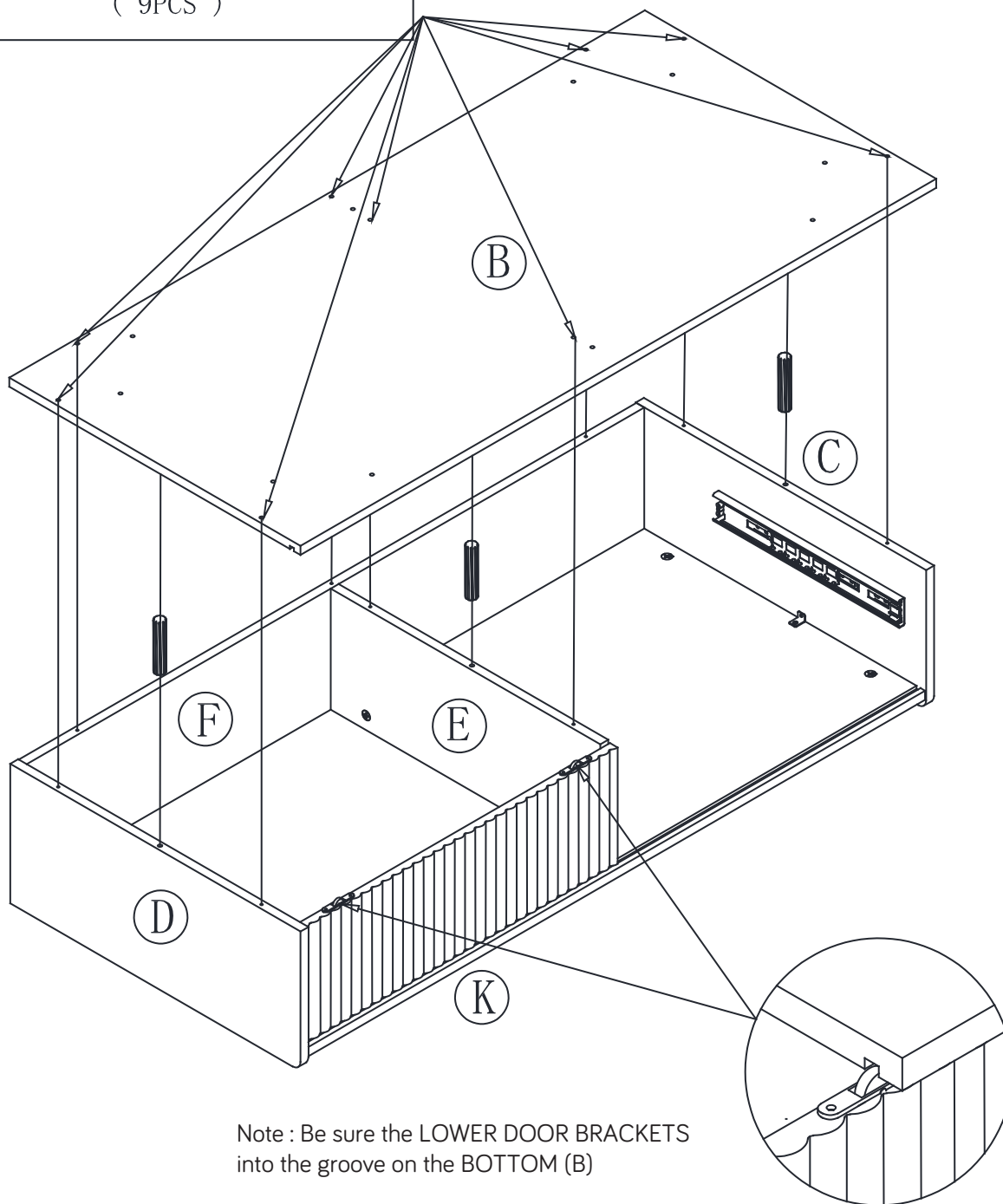
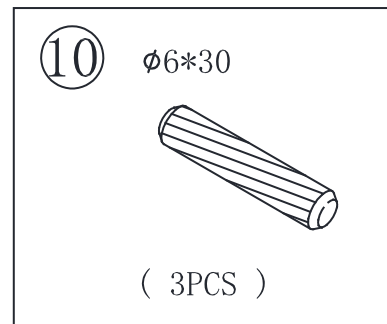
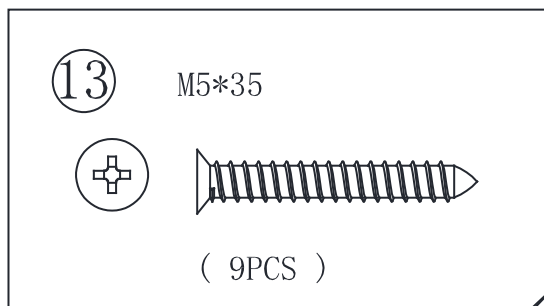
Step 9

- ◆ Place the DOOR (K) on the TOP(A), make sure the bolts into the groove.



Step 10

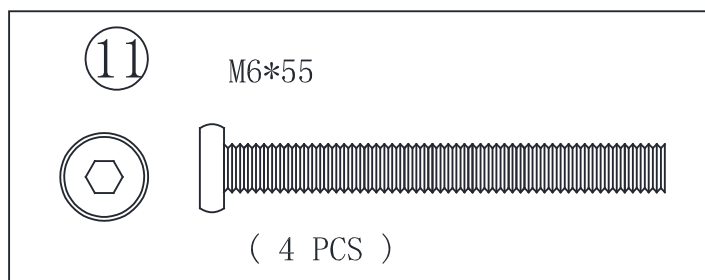
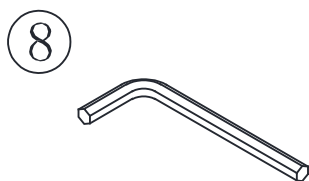
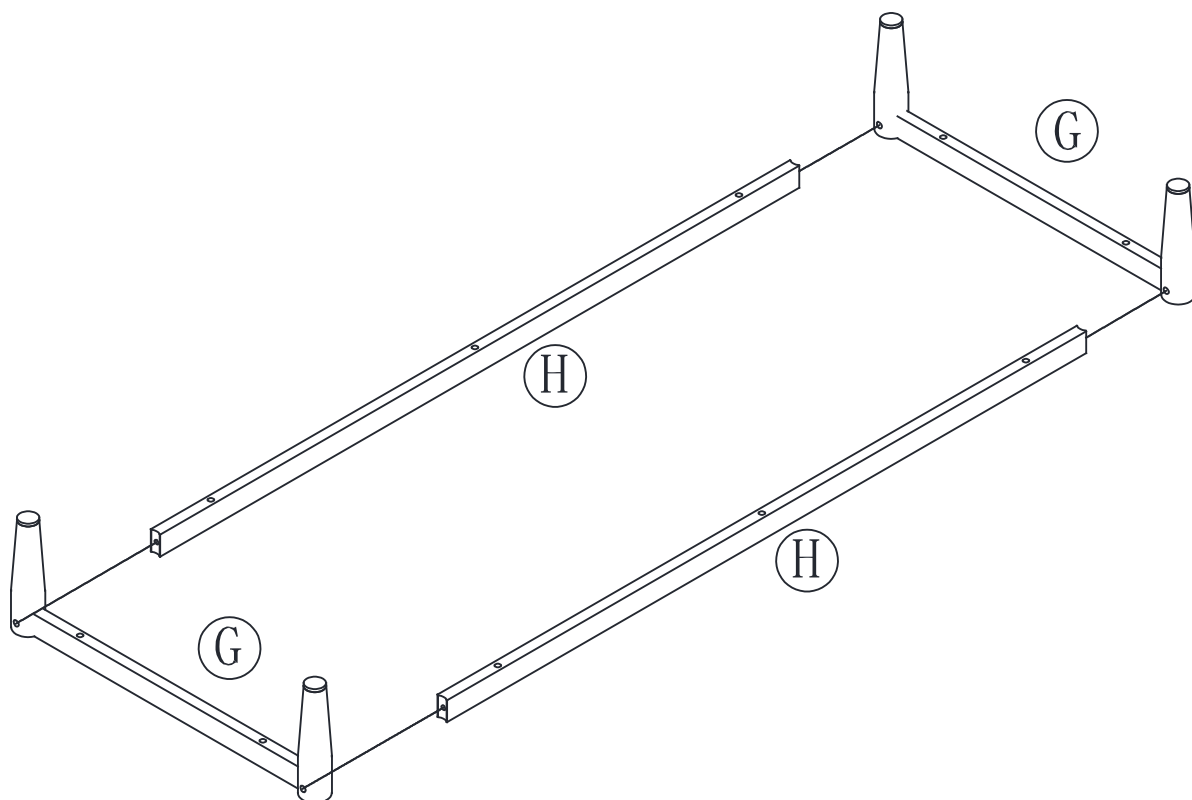
- ◆ Insert three WOOD DOWELS into the ENDS (D and C) and UPRIGHT (E).
- ◆ Fasten the BOTTOM (B) to the ENDS (C and D), UPRIGHT (E) and BACK (F). Use nine FLAT HEAD SCREWS (13).



Step 11

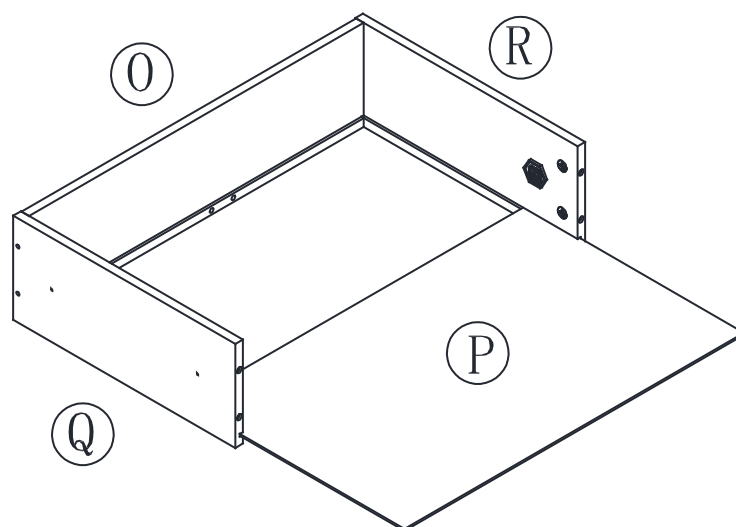
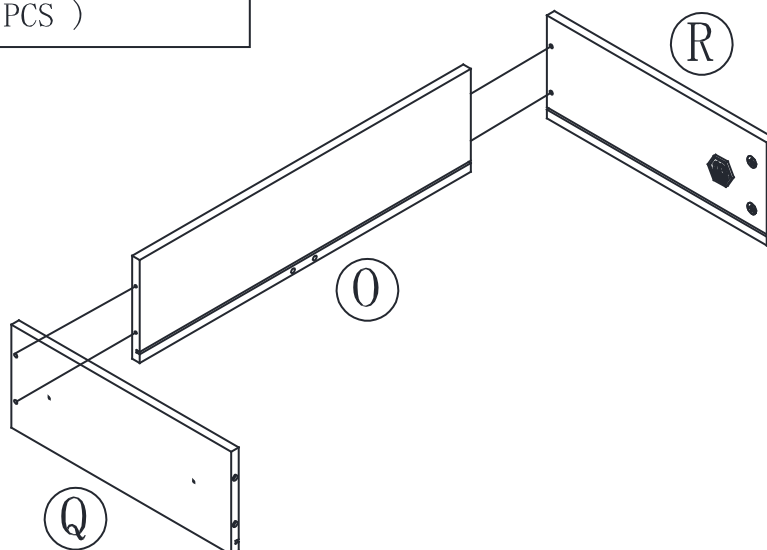
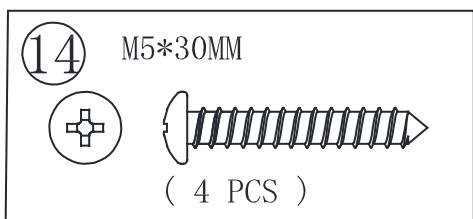
- ◆ Fasten the BRACES (H) to the LEGS (G).
Tighten four HEX HEAD SCREWS (11) using the L-WRENCH (8).

- ◆ NOTE: You should start each SCREW a few turns before completely tightening any of them.



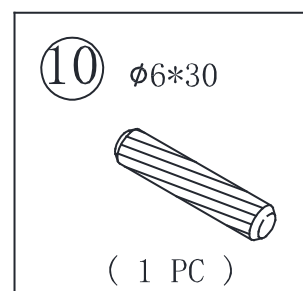
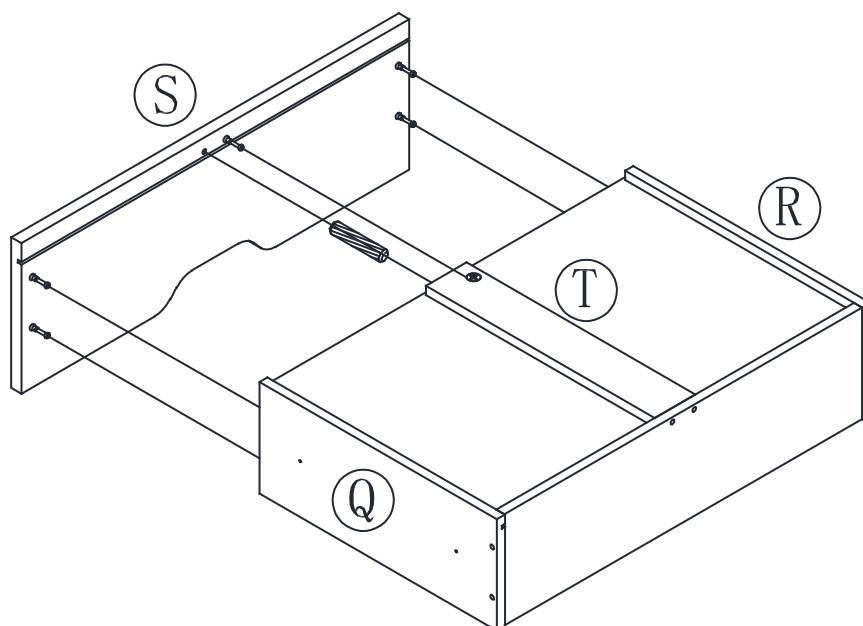
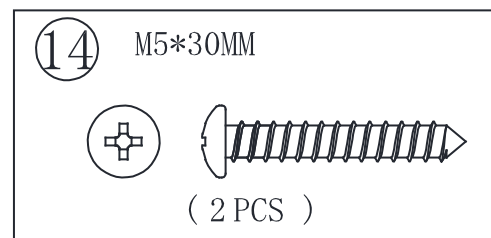
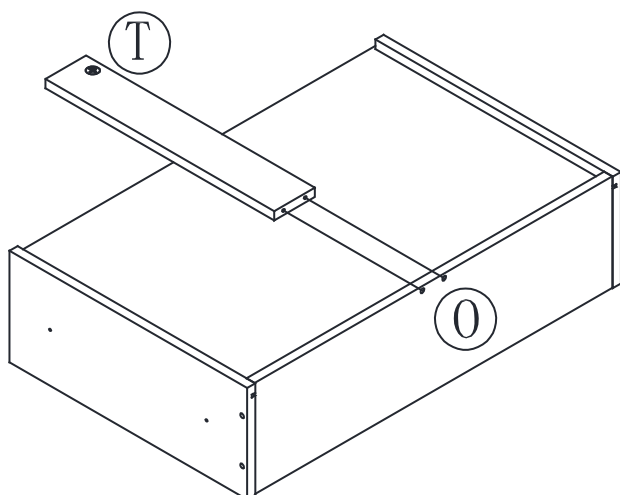
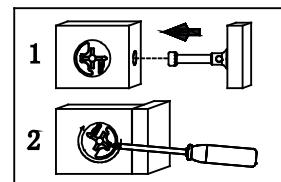
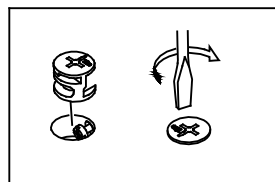
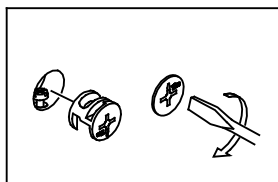
Step 12

- ◆ Fasten the DRAWER SIDES (Q and R) to the DRAWER BACK (O). Use four PAN HEAD SCREWS (14).
- ◆ NOTE: You should start each SCREW a few turns before completely tightening any of them.
- ◆ Slide the SMALL DRAWER BOTTOM (P) into the grooves in the DRAWER SIDES (Q and R) and DRAWER BACK (O).



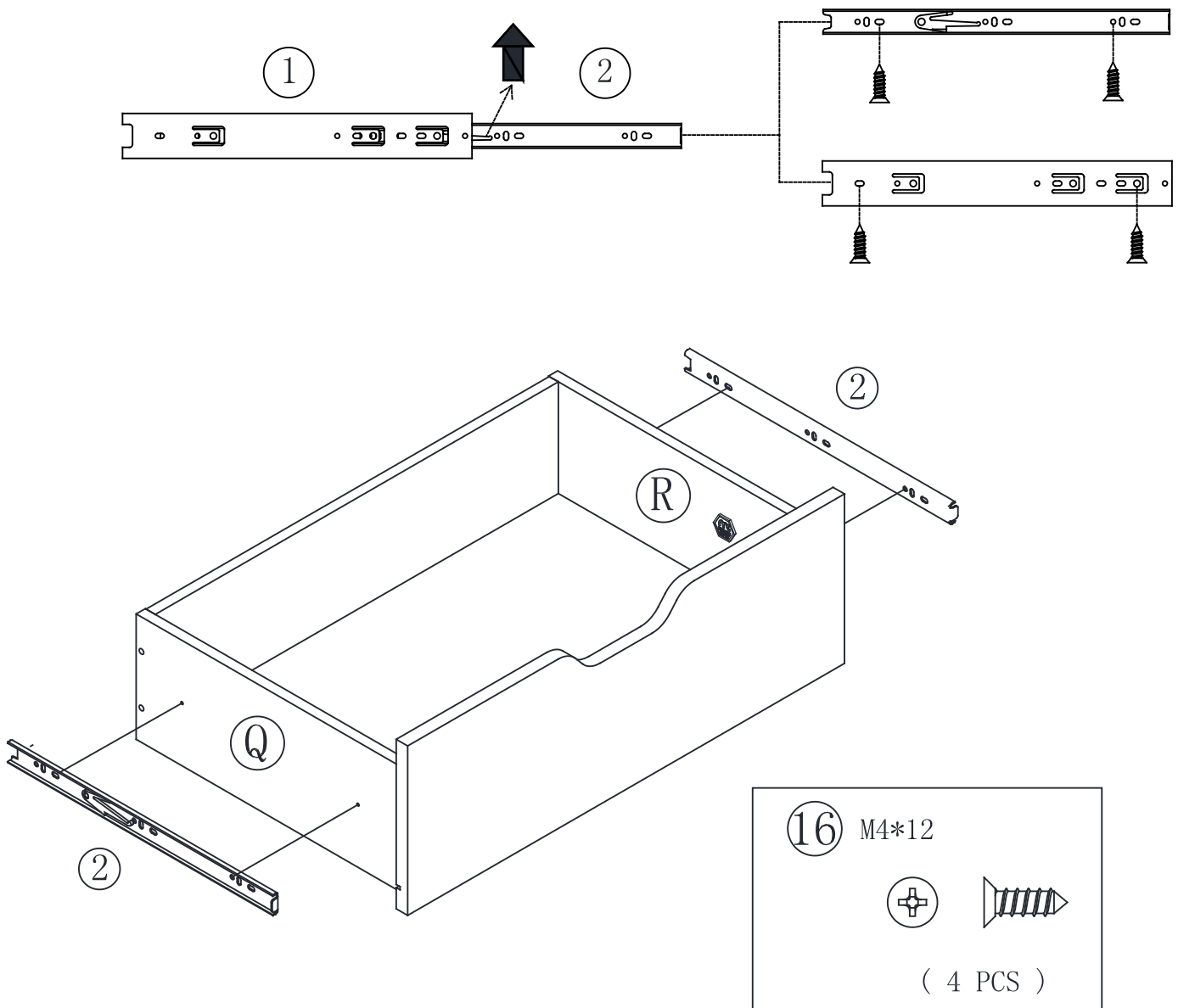
Step 13

- ◆ Fasten the DRAWER BRACE (T) to the DRAWER BACK (O). Use two FLAT HEAD SCREWS (14).
- ◆ Insert one WOOD DOWEL (10) to the DRAWER BRACE (T)
- ◆ Fasten the DRAWER FRONT (S) to the DRAWER SIDES (Q and R) and DRAWER BRACE (T). Tighten five HIDDEN CAMS.



Step 14

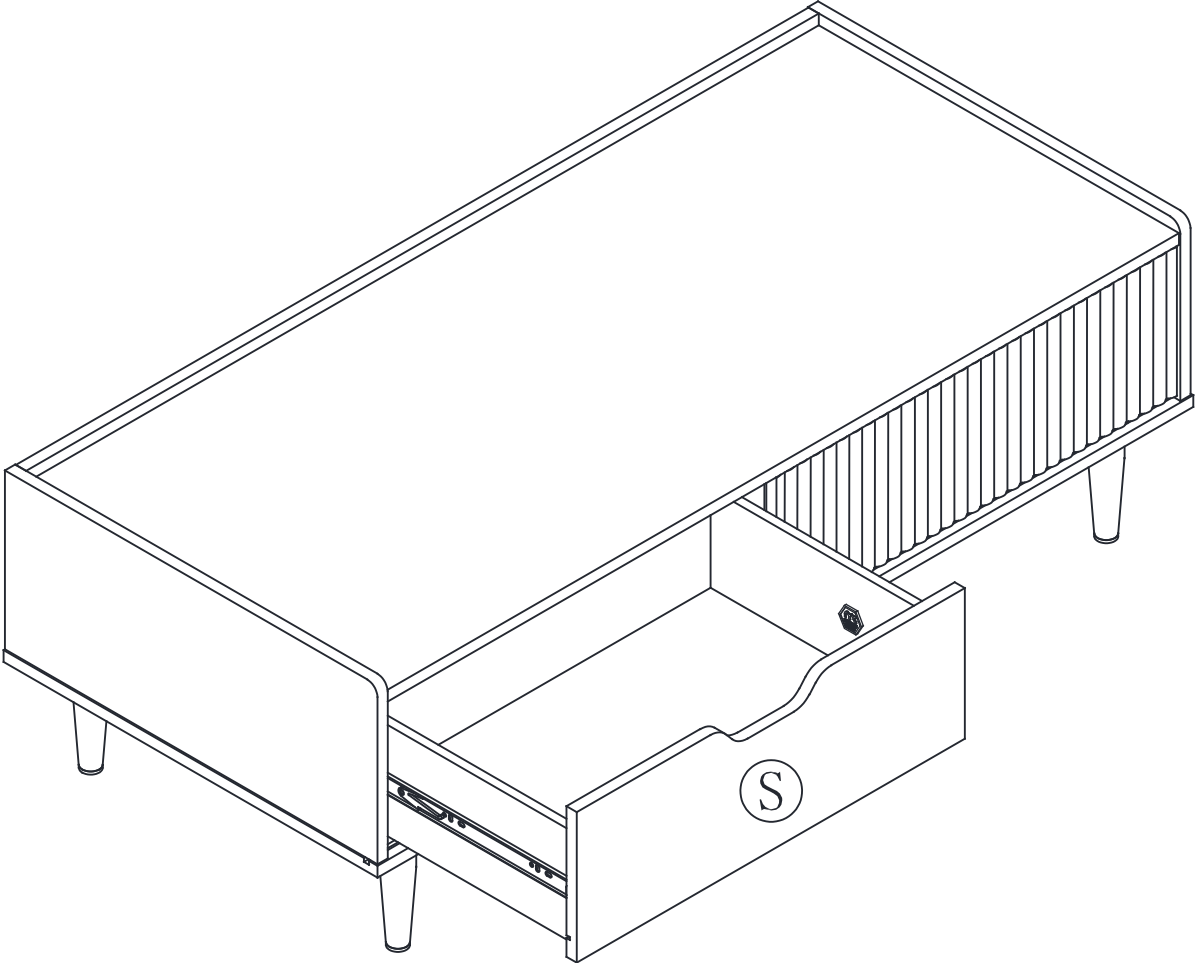
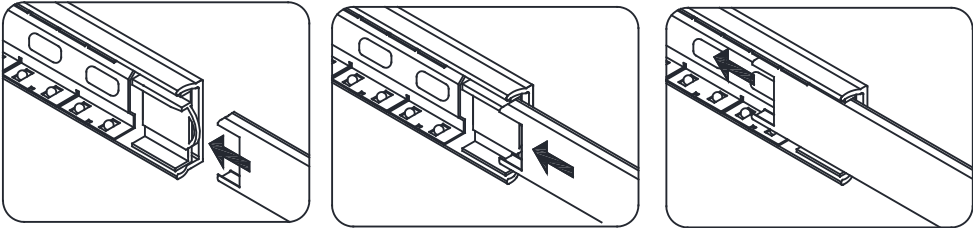
- ◆ Fasten two EXTENSION SLIDES (2) to the DRAWER SIDES (Q and R). Use four FLAT HEAD SCREWS (16) through the exact holes shown.



Step 15

To insert a drawer into your unit, line up the EXTENSION SLIDES on the drawer with the EXTENSION RAILS on the

- ◆ unit and push the drawer into the unit until the drawer is fully inserted. The drawer will push in hard until it is all the way in, then it will slide in and out easier.



Step 16

- ◆ Peel APPLIQUES from the APPLIQUE CARDS (7) and stick them onto each visible HIDDEN CAM.
- ◆ Peel the BUMPERS from the BUMPER CARDS (9) and stick them onto the edges of the DOORS (K) as shown in the enlarged diagram.

