



IMPORTANT INFORMATION

READ CAREFULLY.

KEEP THIS INFORMATION FOR FURTHER REFERENCE.

GENERAL GUIDELINES

- Please read the following instruction carefully and use the product accordingly.
- Please keep this manual and hand it over when you transfer the product.
- This summary may not include every detail of all variations and considered steps. Please contact us when further information and help are needed.

NOTES

- Please follow the assembly instructions precisely and only use the product as intended.
- If an odor is present when first opening the package, please leave the unwrapped product in a shaded and ventilated area for a few days to air out.
- Prior to assembly, please check the product for defects or missing accessories. If any defects are found or accessories are missing, do not use product as damage or injury may occur; Please contact us for assistance and replacement.
- During assembly, please only slightly tighten all screws in their correct position first, then fully tighten them. A Philips screwdriver is recommended but not included.
- It is suggested you regularly check the products bolts and connections to ensure safe use.
- Assemble the item on a soft flat and clean surface to avoid scratches and damage.
- It is recommended that two people assemble this product.

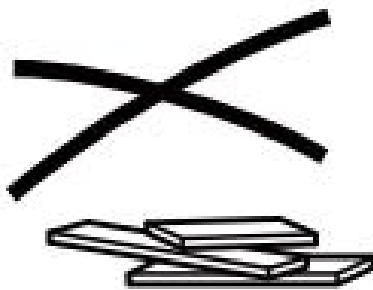
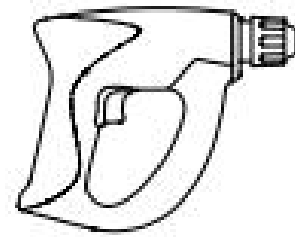
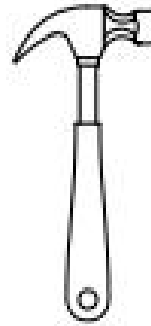
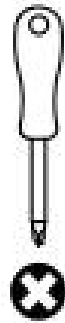
WARNINGS

- During assembly, keep parts and packaging materials away from children and pets as there could cause injury and are a potential choking hazard.
- Avoid sharp objects or corrosive chemicals to prevent damage to the product.
- Please open the item slowly and cautiously to avoid pinching your hands by metal joints, especially children.

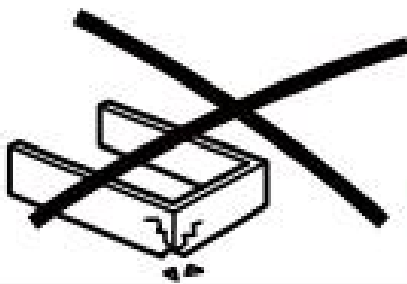
ANTI-TIP WARNING

- Serious or fatal crushing injuries can occur from furniture tip-over. To prevent this furniture from tipping over it must be permanently fixed to the wall.
- Since different wall materials require different types of fixing device, for advice on suitable fixing systems, contact your local specialized dealer.

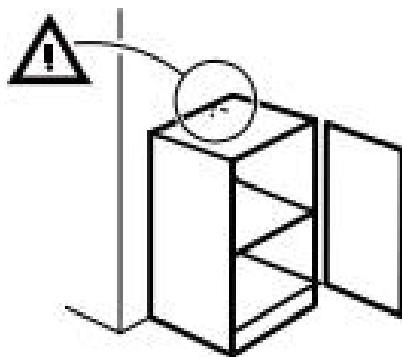
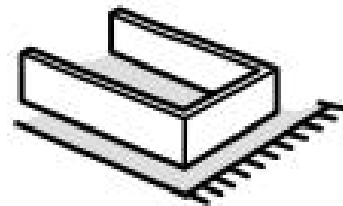
Tools Needed (not included)



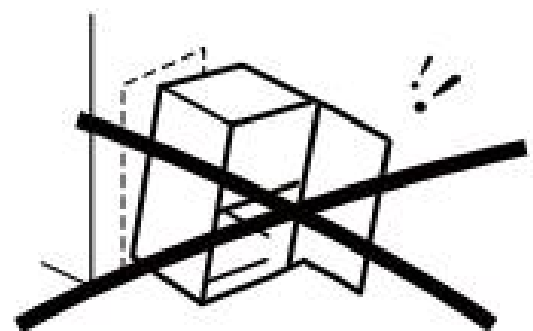
Prepare Tools
Instead of
Coming Empty
Handed



Handle Gently

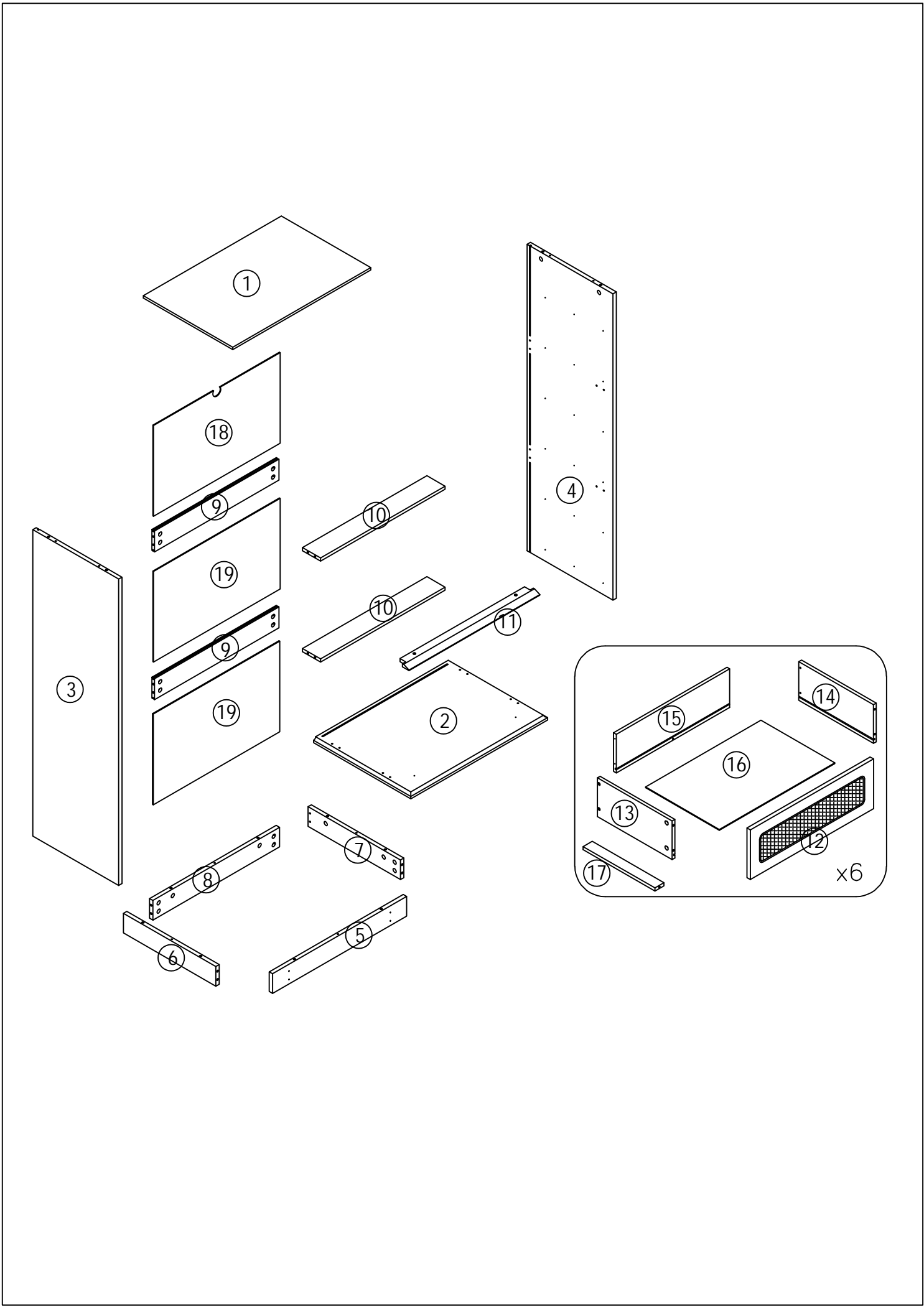


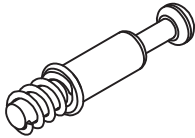

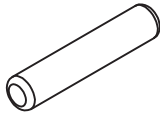
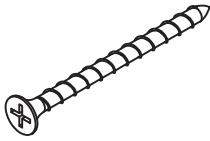
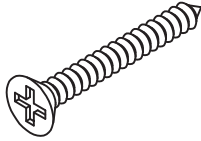
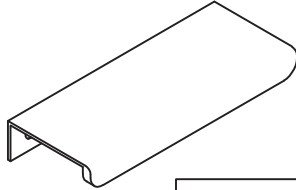
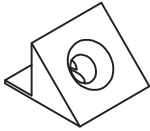
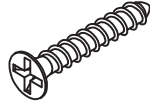
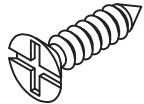
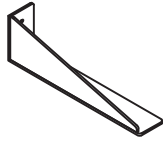
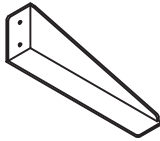
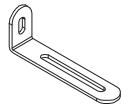
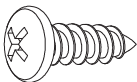
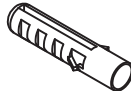
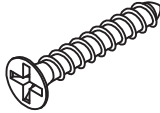


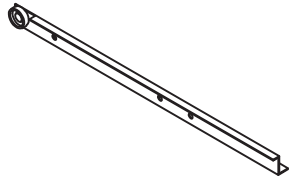
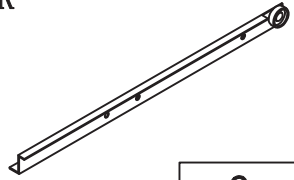
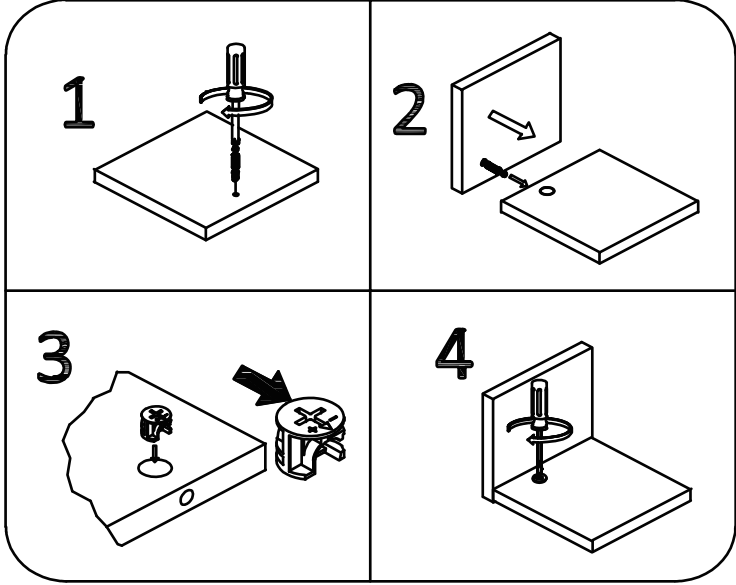
Gently Push
Against the
Wall and Do
Not Tip Over



Tips:

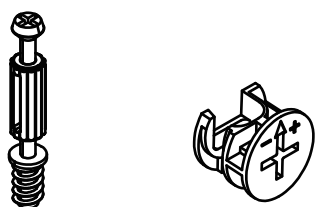
- If you have any further questions, please feel free to contact us via Amazon. We will reply ASAP.
- Before installation, please make sure you have all the hardware, the serial numbers are properly labeled corresponding to the list, and the quantity is correct.
- Enjoy your new purchase!



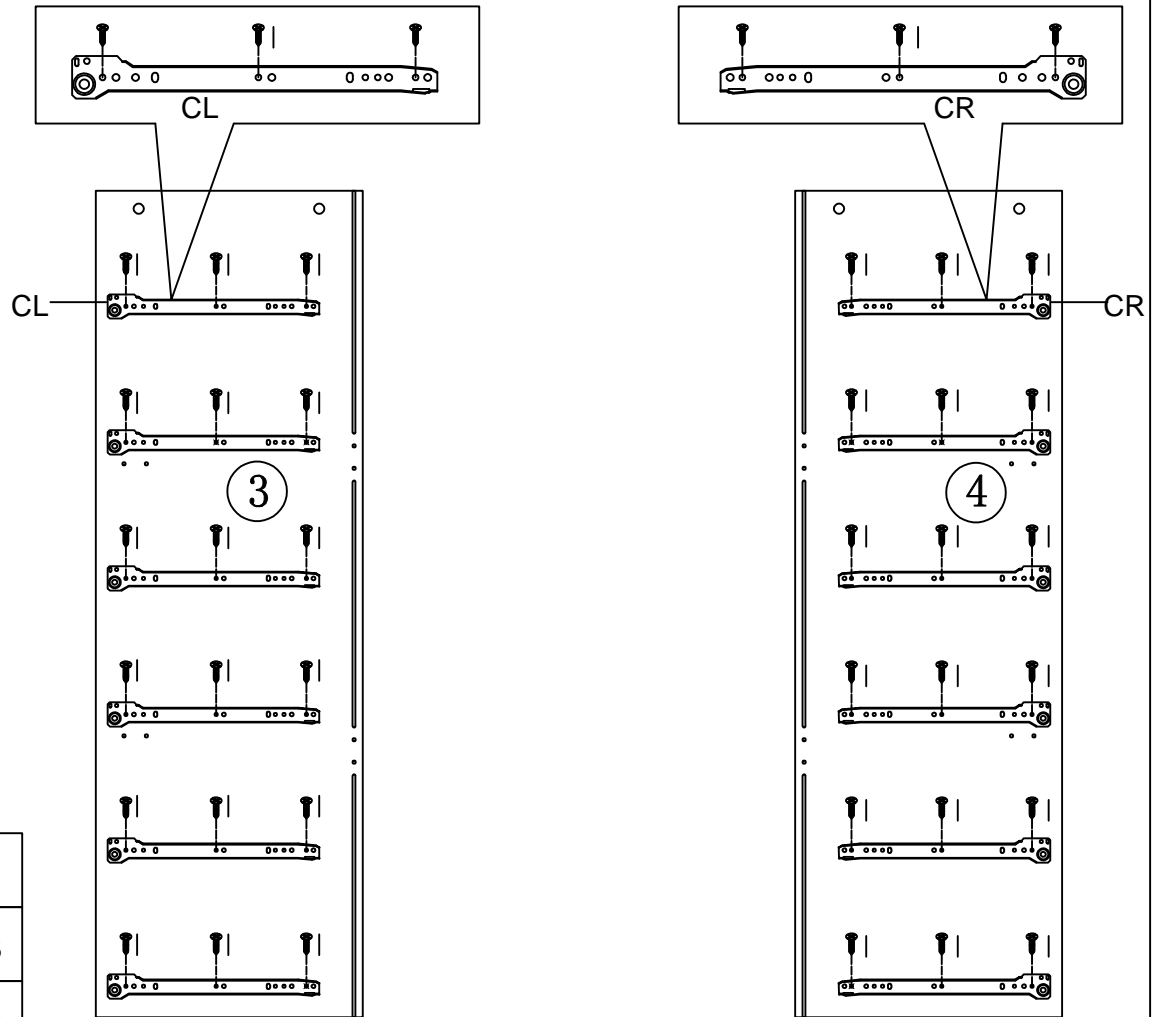
<p>A</p>  <p>M6*32mm 72+4pcs</p>	<p>B</p>  <p>∅15*9.5 72+4pcs</p>	<p>C</p>  <p>M6*30mm 12+2pcs</p>
<p>D</p>  <p>M4*50mm 4pcs</p>	<p>E</p>  <p>M4*35mm 25+4pcs</p>	<p>F</p>  <p>6pcs</p>
<p>G</p>  <p>12+2pcs</p>	<p>H</p>  <p>M3*17mm 12+2pcs</p>	<p>I</p>  <p>M3*12mm 84+4pcs</p>
<p>J</p>  <p>1pc</p>	<p>K</p>  <p>1pc</p>	<p>L</p>  <p>1pc</p>
<p>M</p>  <p>M4*14mm 5pcs</p>	<p>N</p>  <p>1pc</p>	<p>O</p>  <p>M4*20mm 2pcs</p>
<p>CL</p>  <p>300mm 6pcs</p>	<p>CR</p>  <p>300mm 6pcs</p>	<p>DL</p>  <p>300mm 6pcs</p>
<p>DR</p>  <p>300mm 6pcs</p>		




Cam Lock Fastening System

This Cam Lock Fastening System will be used throughout the assembly process

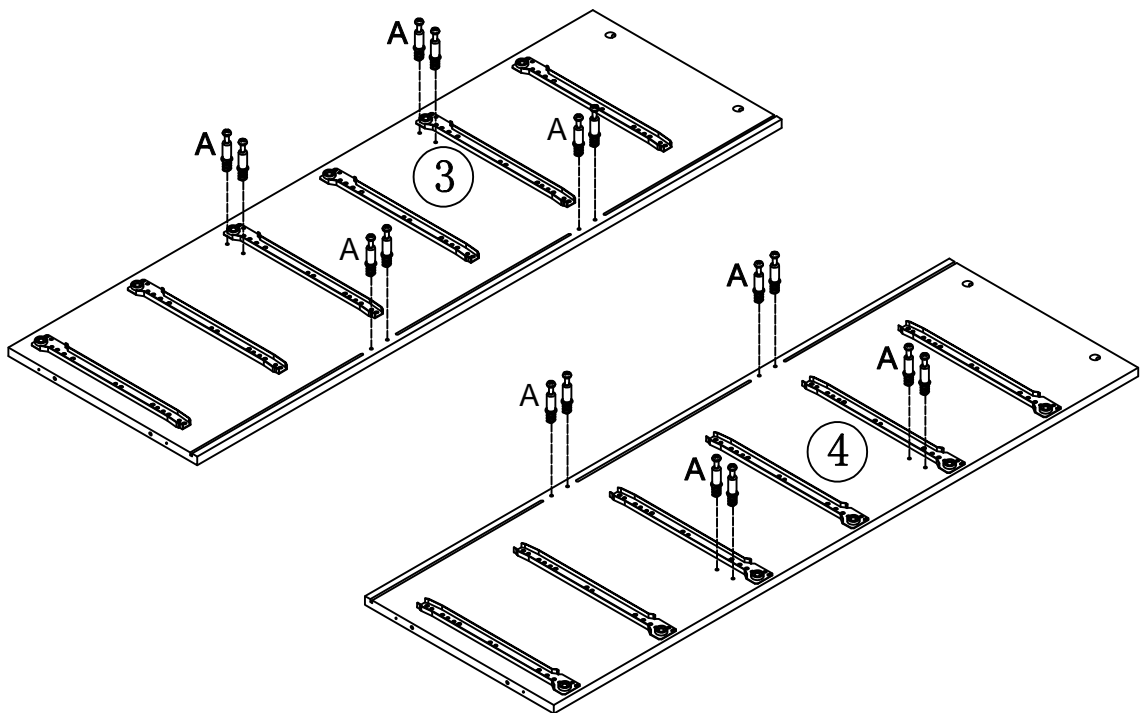



STEP 1



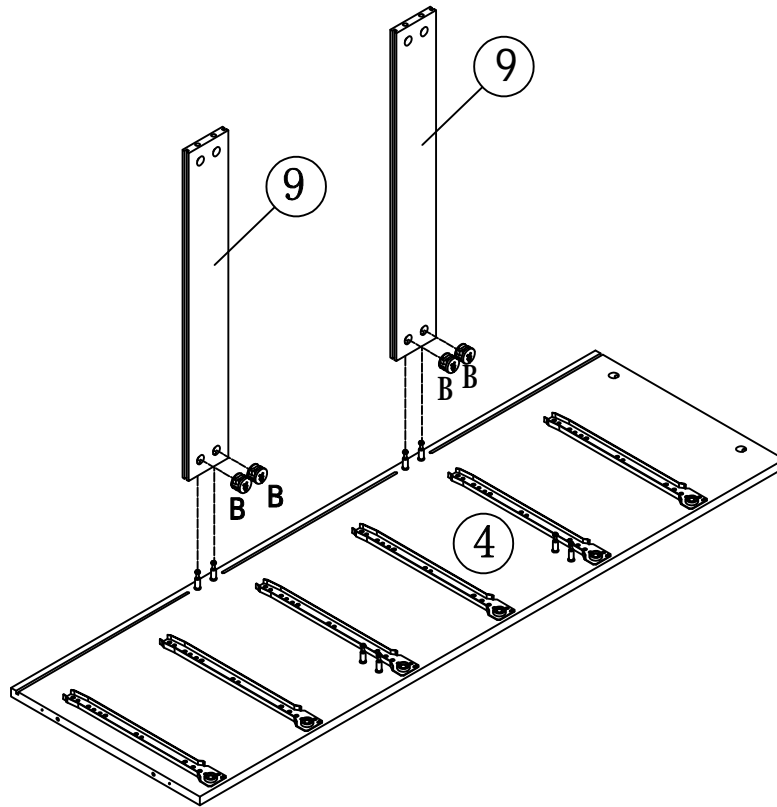
	x 36pcs
	CL x 6pcs
	CR x 6pcs

STEP 2



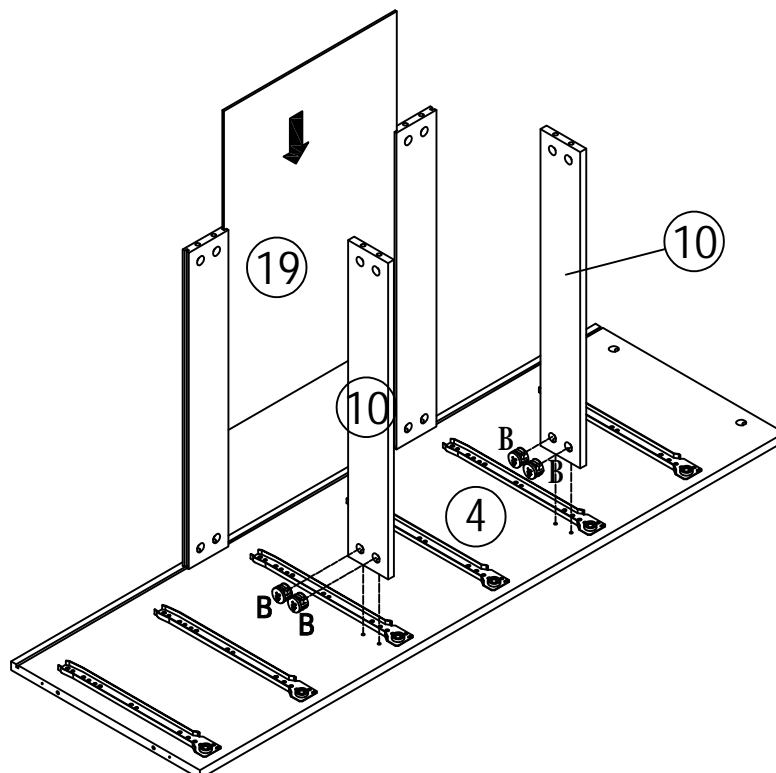
	A x 16pcs
--	-----------

STEP 3



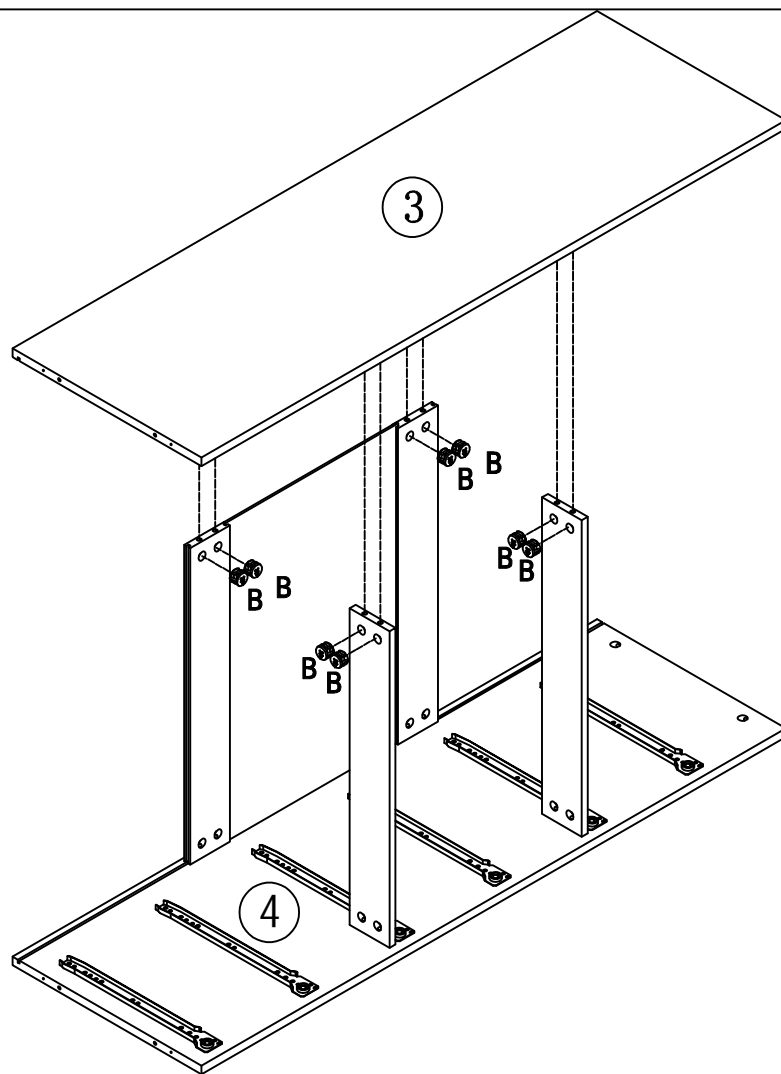
B x 4pcs

STEP 4



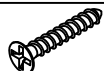
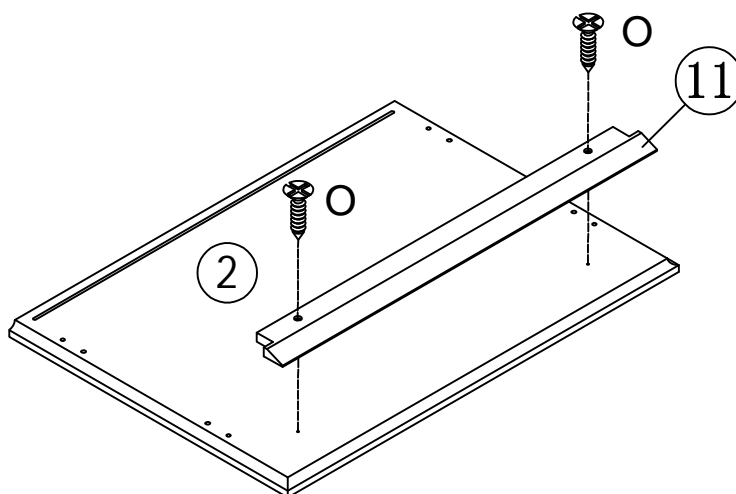
B x 4pcs

STEP 5



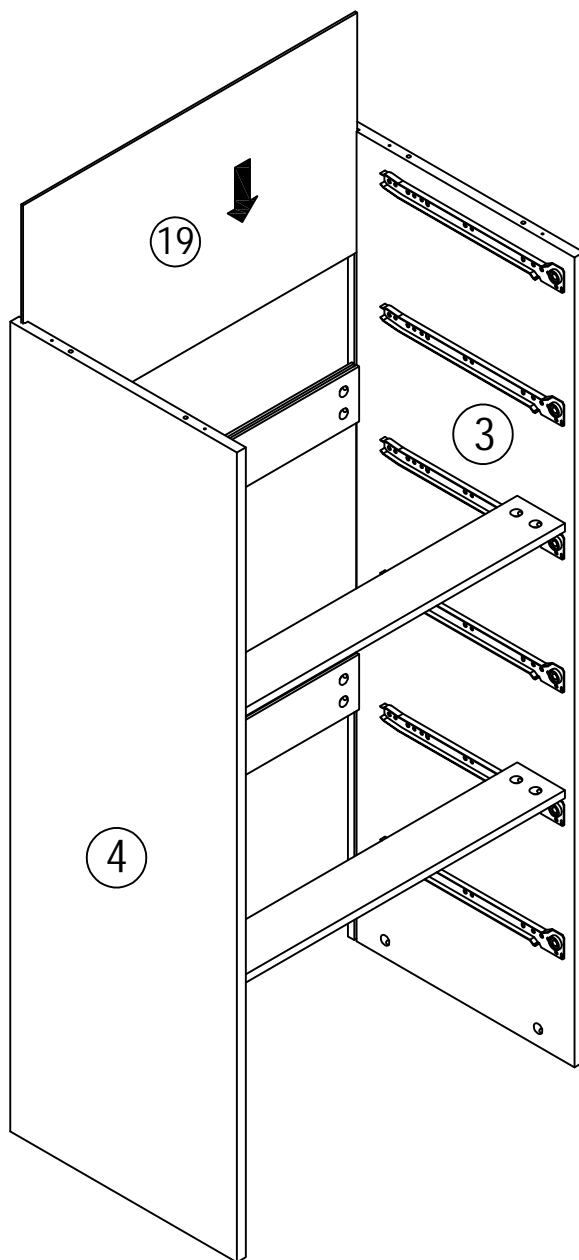
B x 8pcs

STEP 6

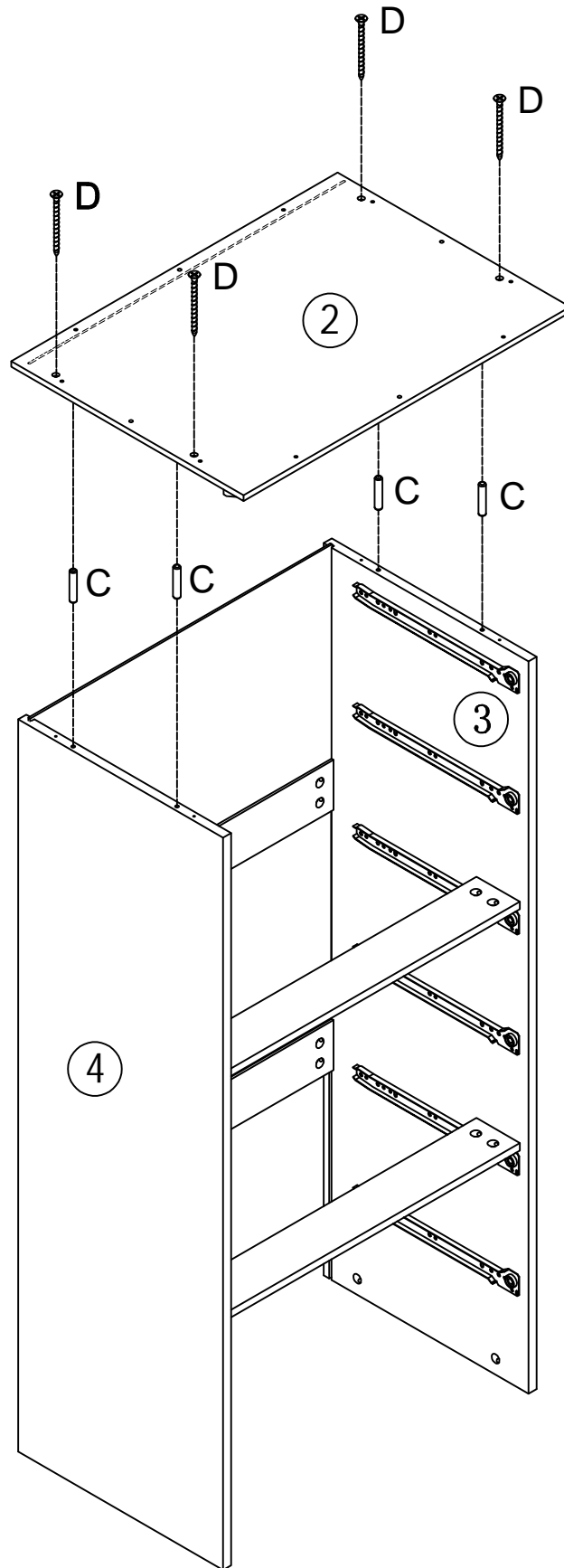


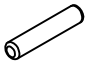

O x 2pcs

STEP 7

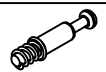
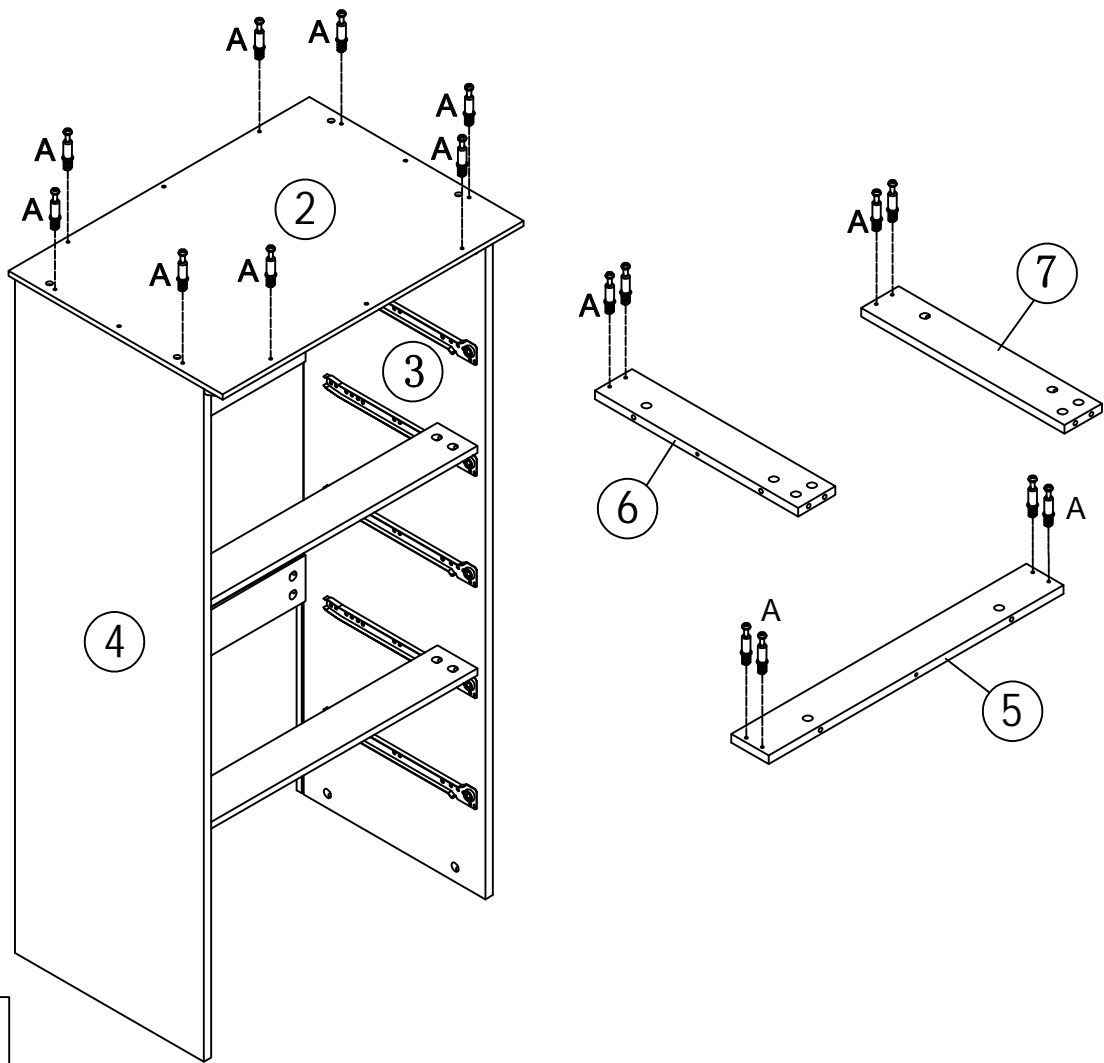


STEP 8



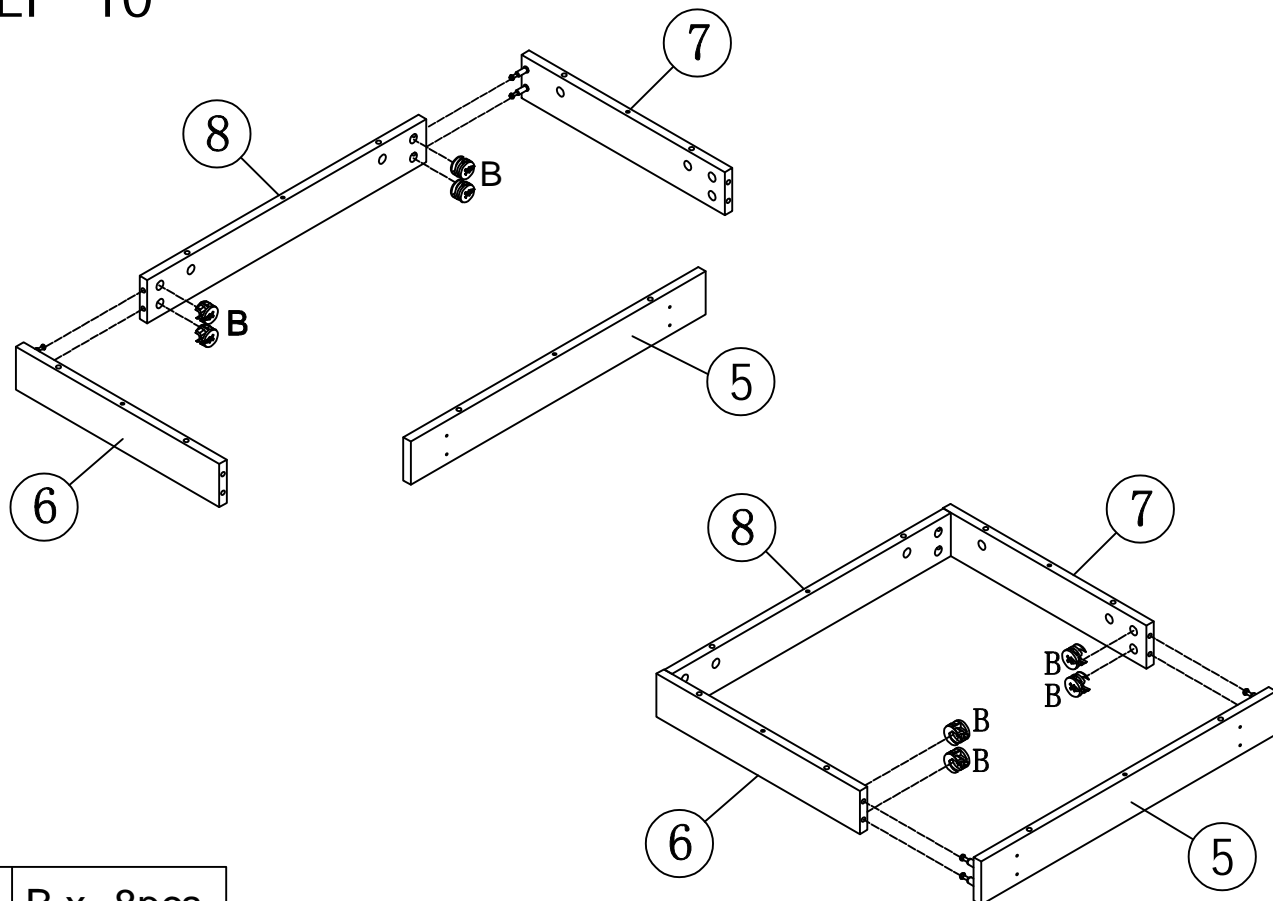
	C x 4pcs
	D x 4pcs

STEP 9



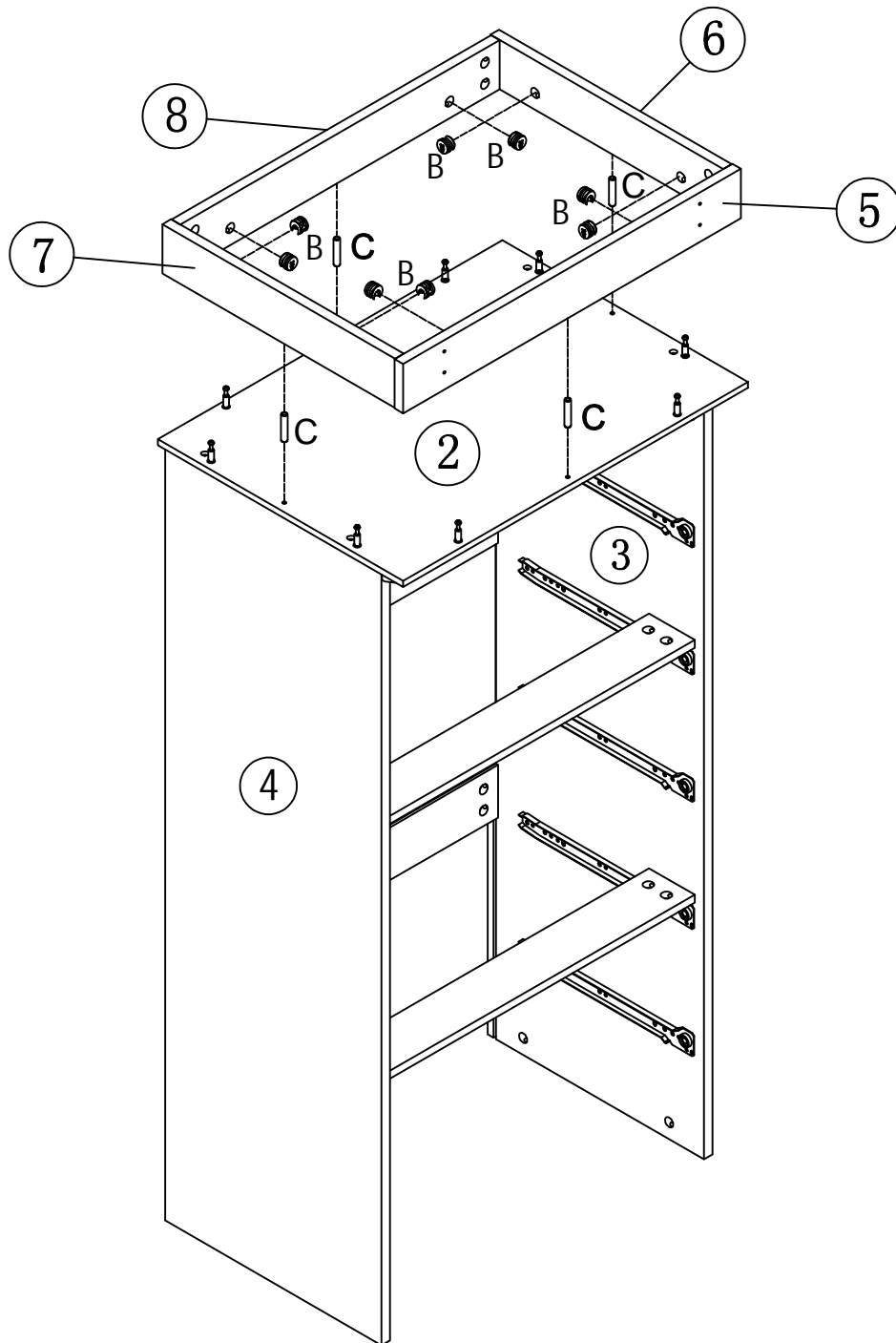
A x 16 pcs


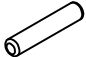
STEP 10



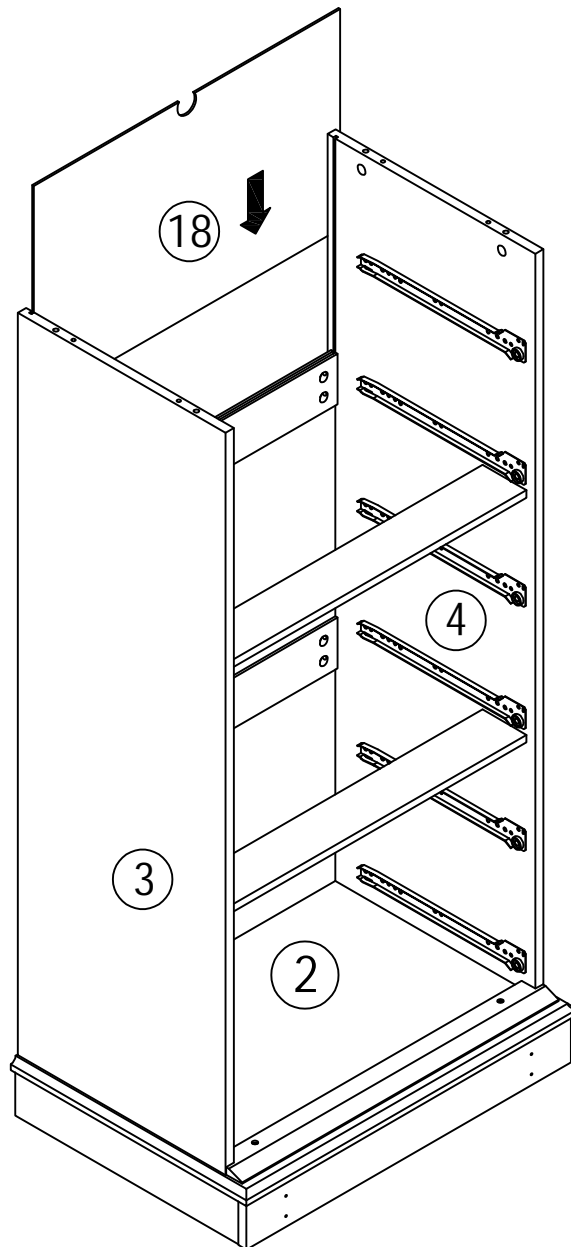
B x 8 pcs

STEP 11

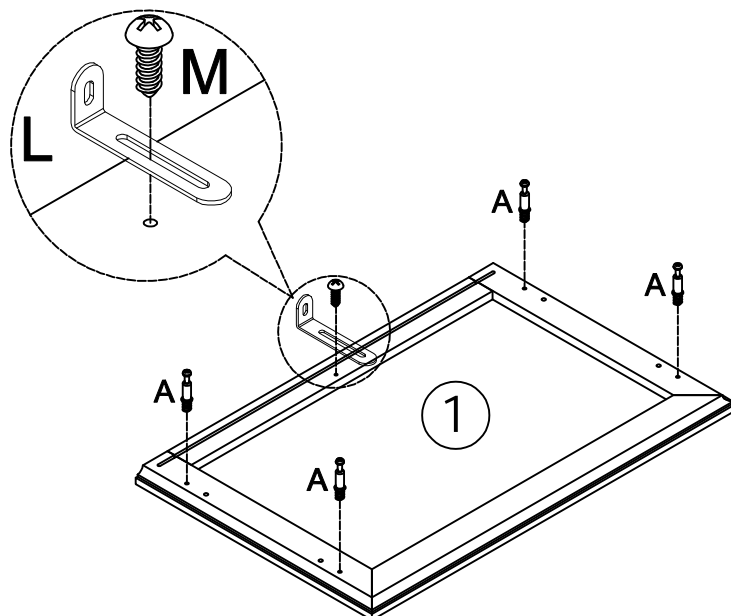


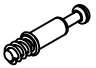

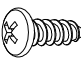
	B x 8pcs
	C x 4pcs

STEP 12

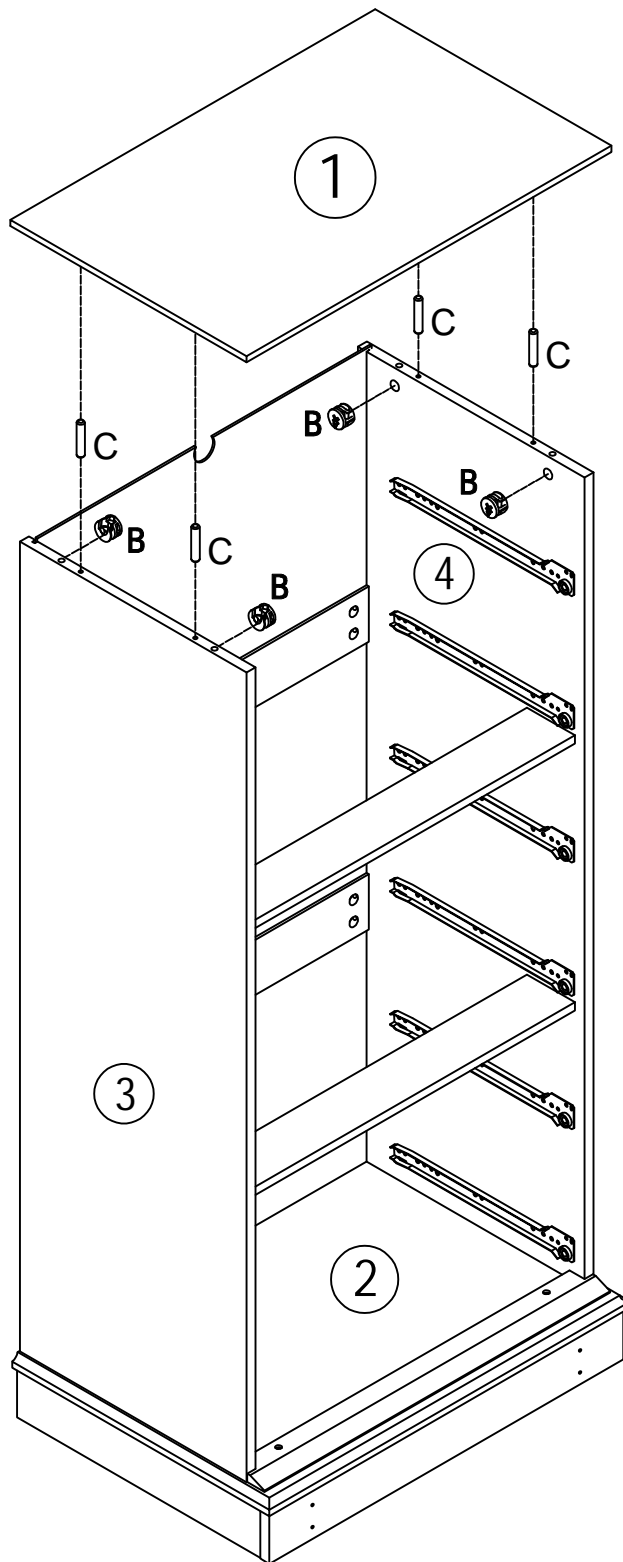



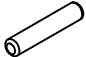
STEP 13



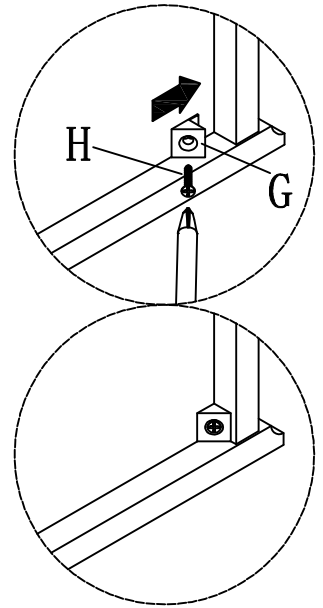
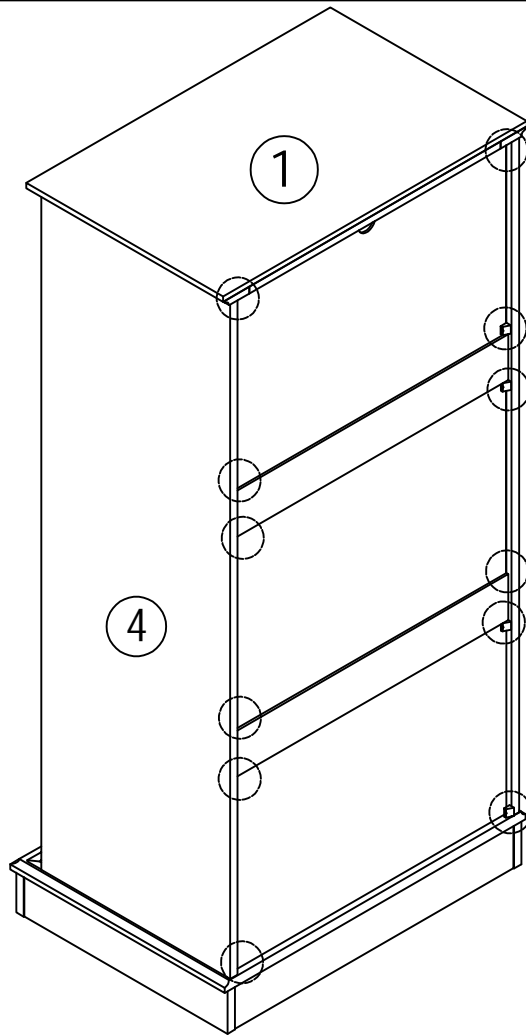
	A x 4pcs
	L x 1pc
	M x 1pc



STEP 14



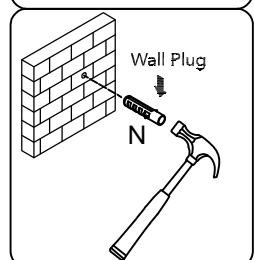
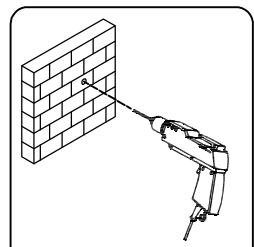
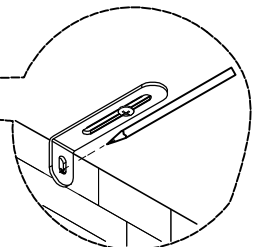
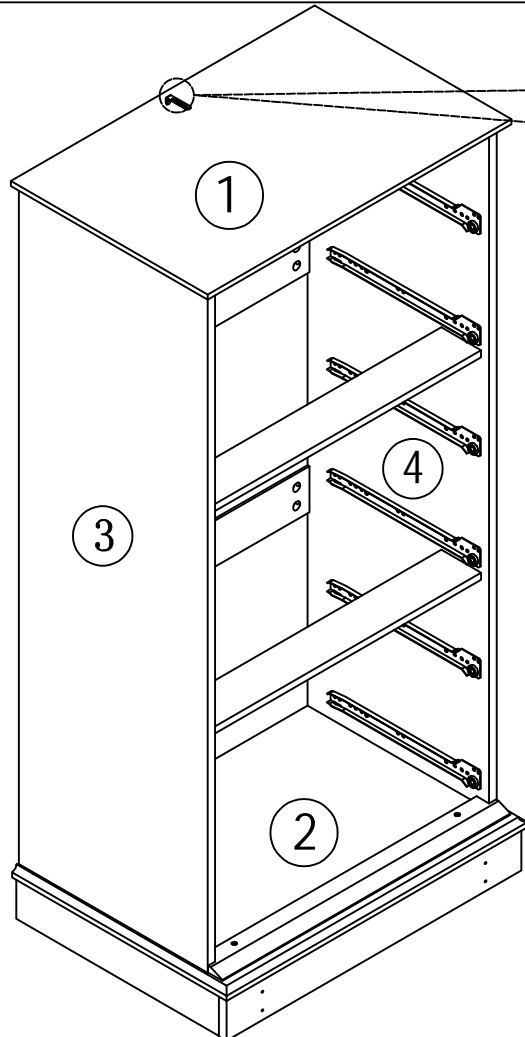
	B x 4pcs
	C x 4pcs


STEP 15



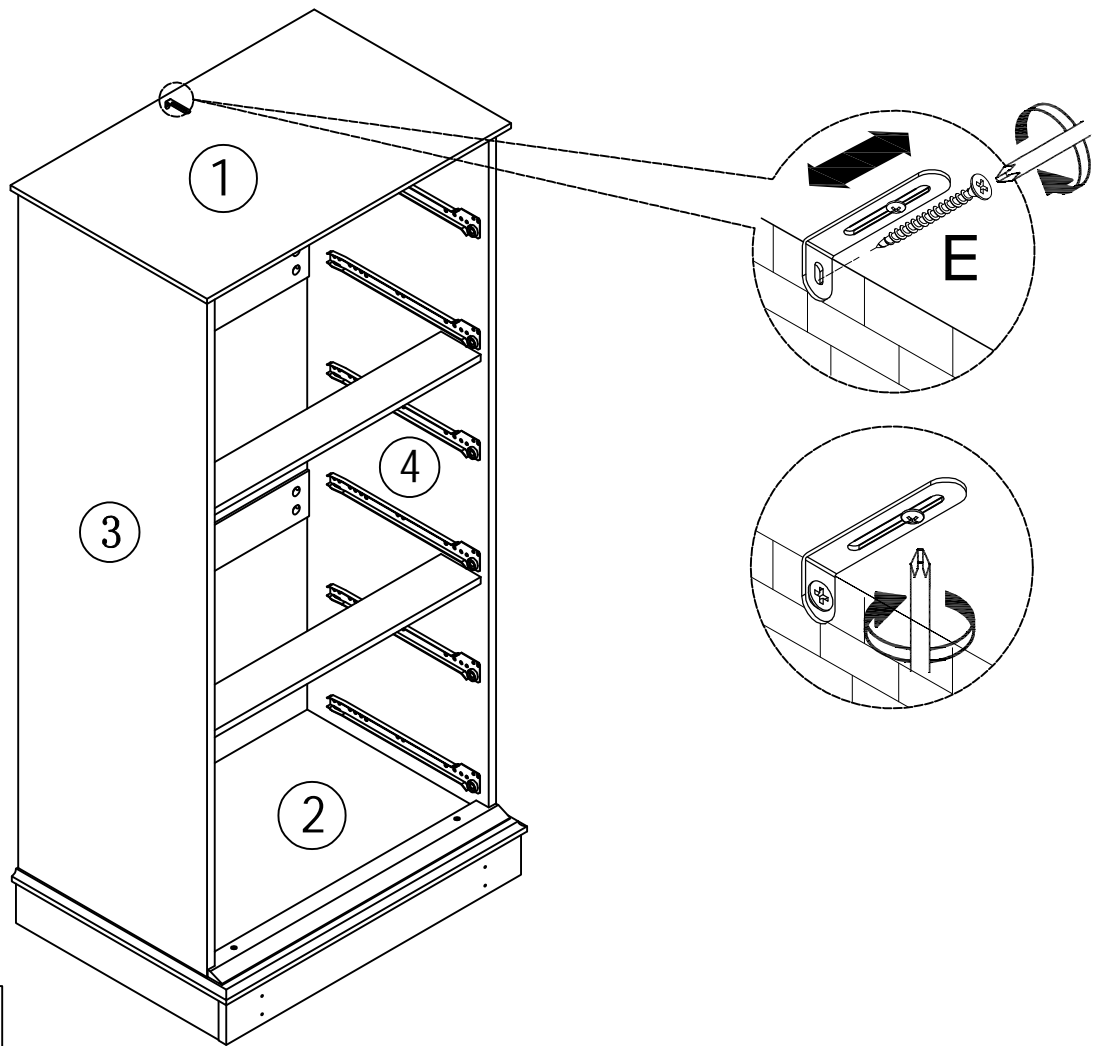
	G x 12pcs
	H x 12pcs

STEP 16



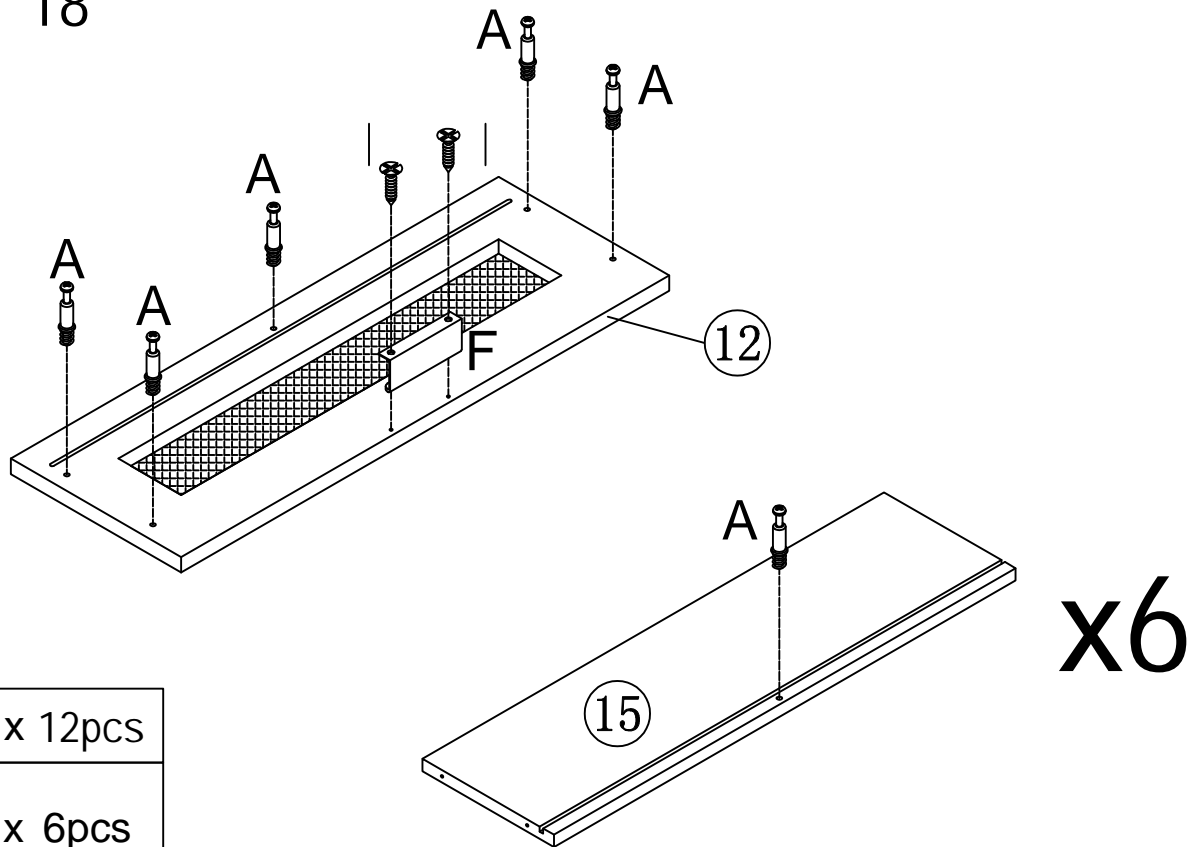
	N x 1pc
--	---------

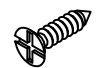
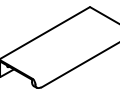
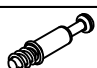
STEP 17



	E x 1pc
--	---------

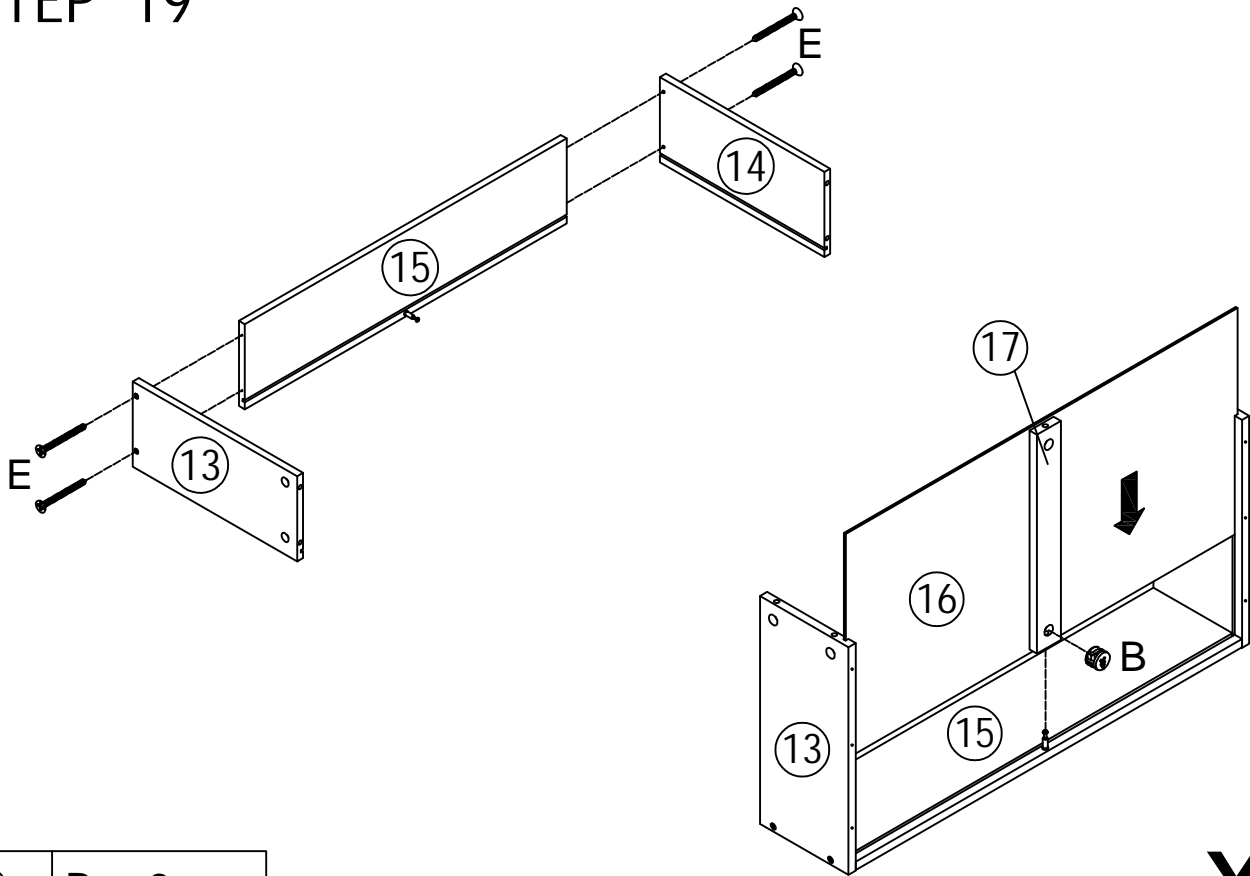
STEP 18





	I x 12pcs
	F x 6pcs
	A x 36pcs

x6

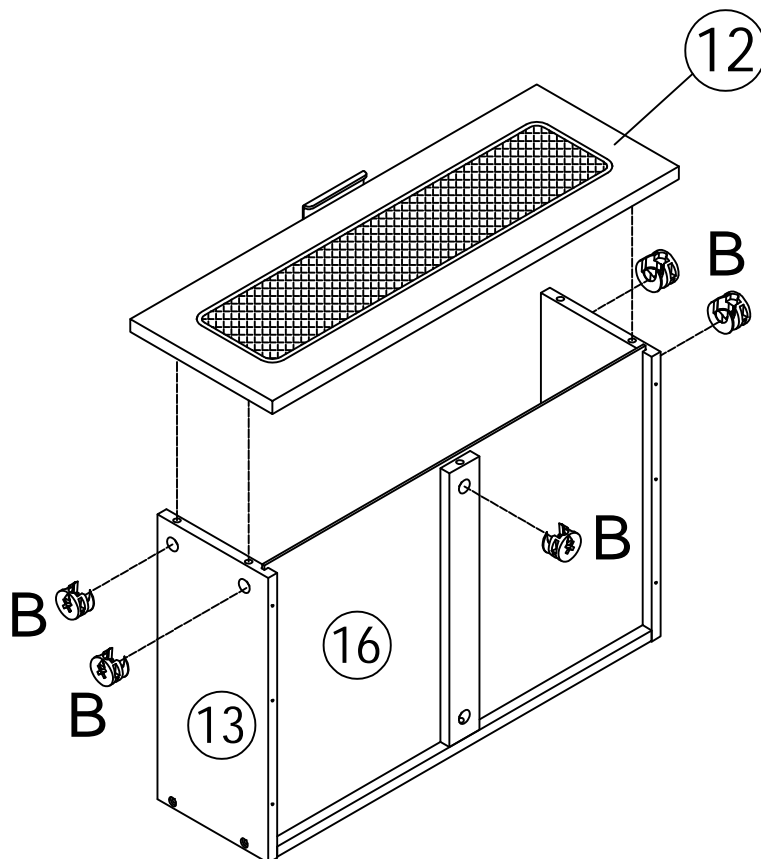
STEP 19




x6

	B x 6pcs
	E x 24pcs

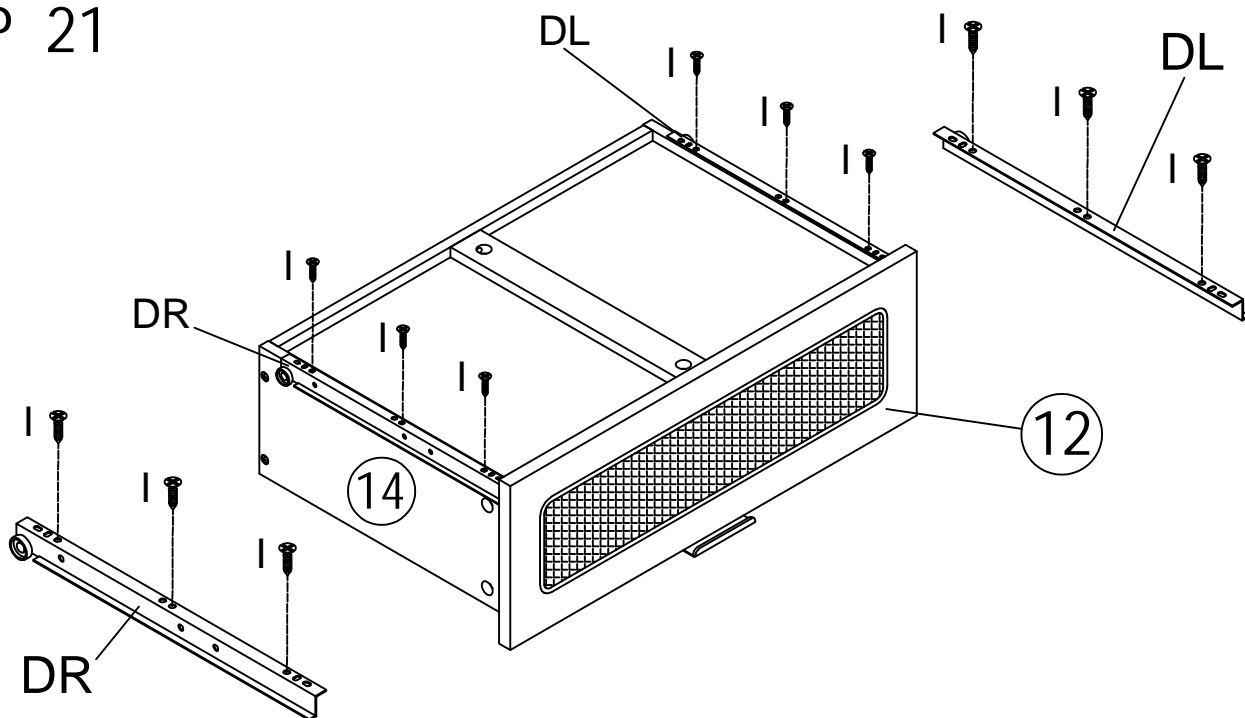
STEP 20






x6

	B x 30pcs
--	-----------

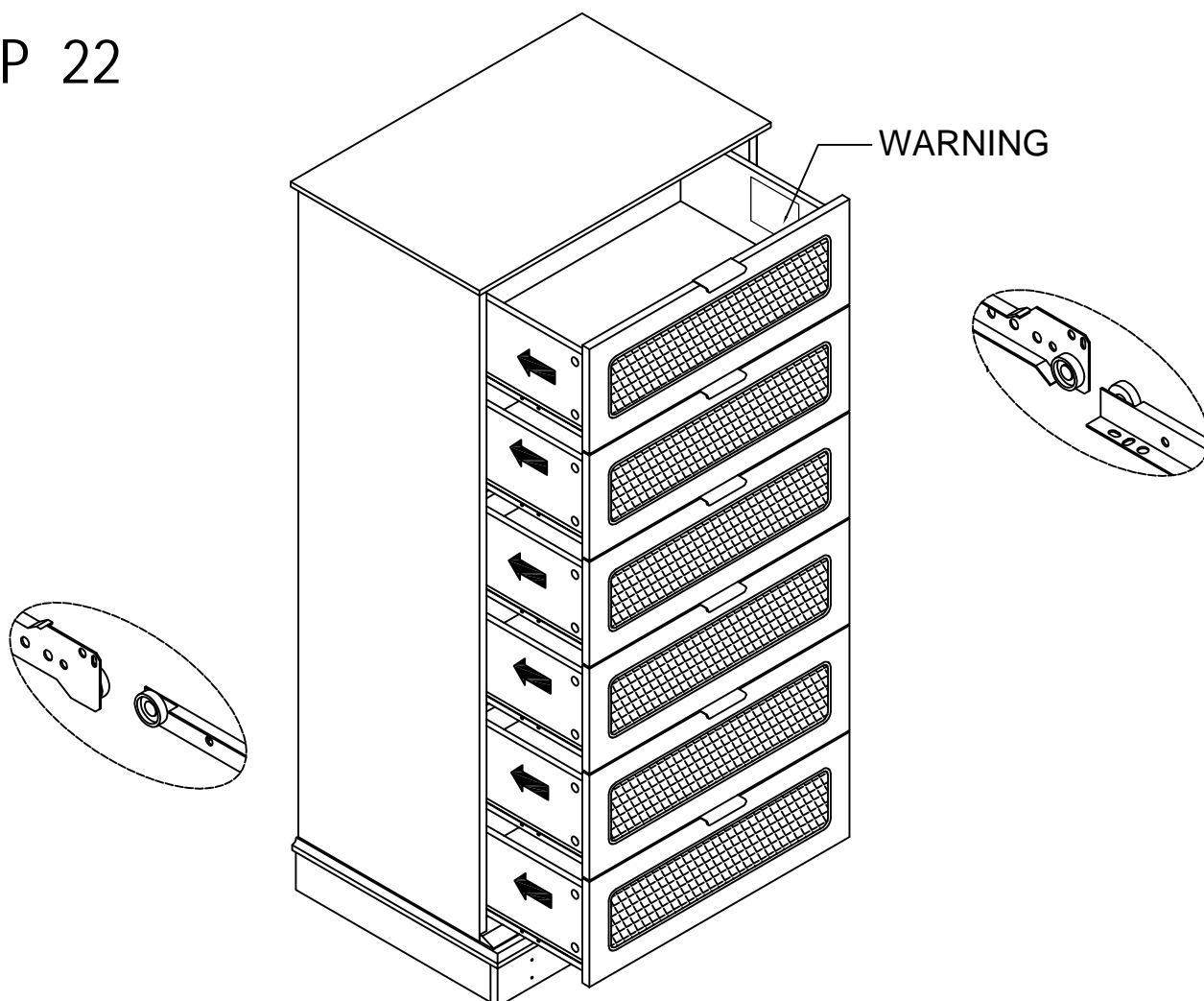
STEP 21



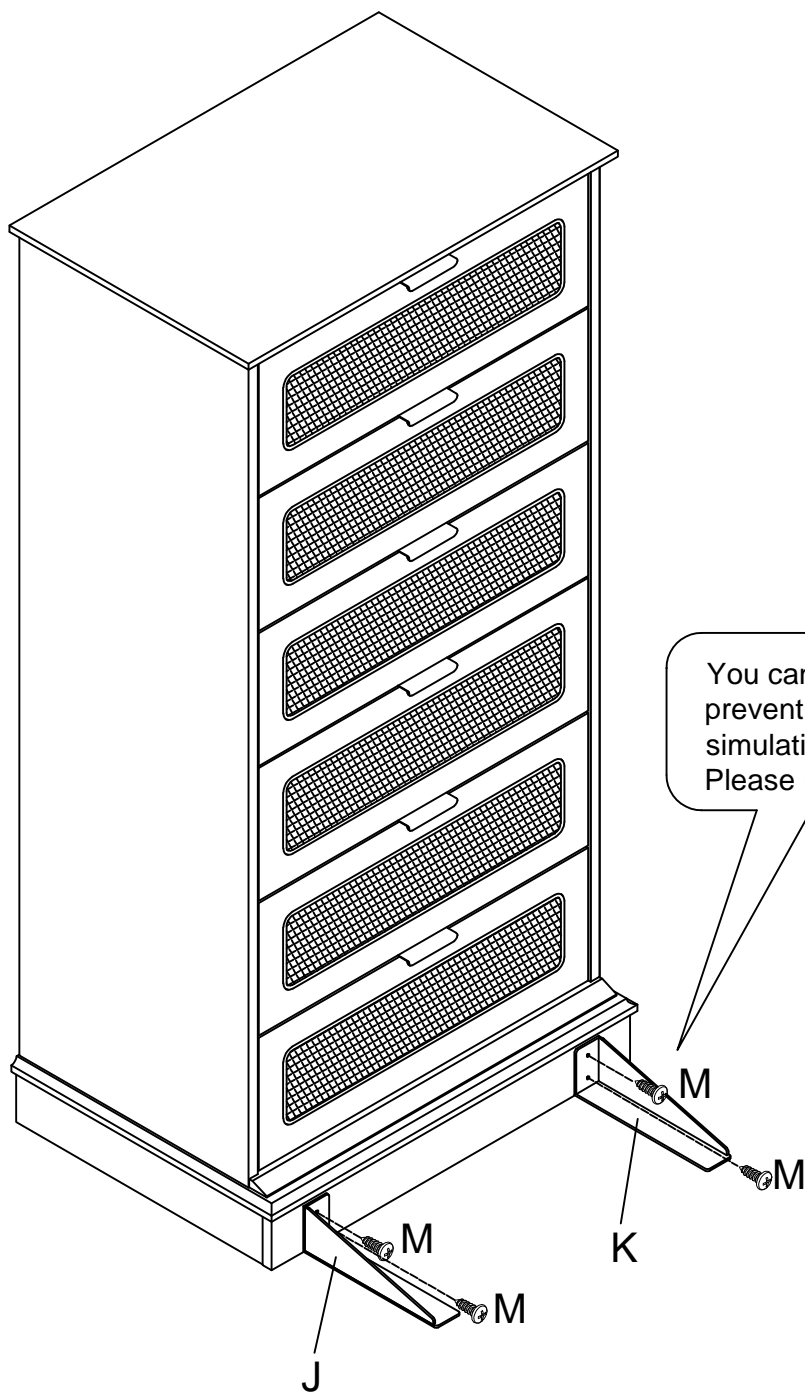
	I x 36pcs
	DL x 6pcs
	DR x 6pcs

x6


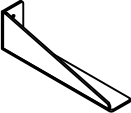
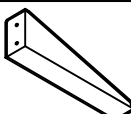
STEP 22



STEP 23



You can opt for installing this accessory to prevent tipping risks. Tested in laboratory simulations for child climbing safety. Please use with confidence.

	M x 4pcs
	J x 1pc
	K x 1pc