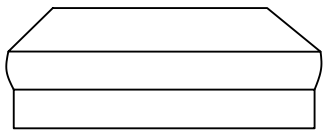
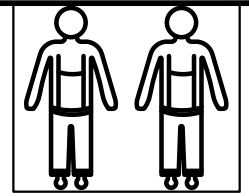
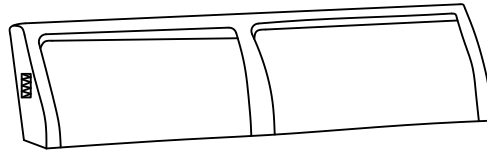


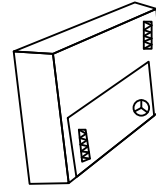
ASSEMBLY INSTRUCTION



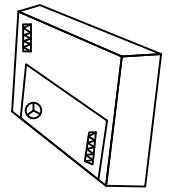
A*1
Seat Cushion Base with Storage



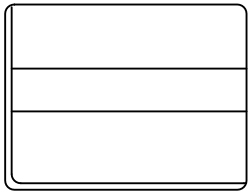
B*1
Back Support



C*1-LEFT
Left Armrest



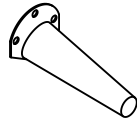
C*1-RIGHT
Right Armrest



D*2
Back Cushion



E*2
Throw pillow



F*2
Back Legs



G*3
Front Legs



H*6
Screws



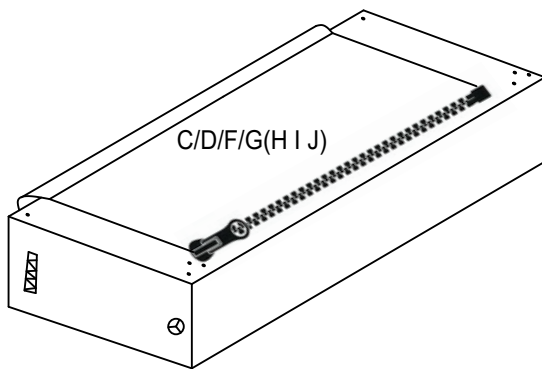
I*1
Allen Wrench



J*4
Anti-Slip Pads

STEP 1

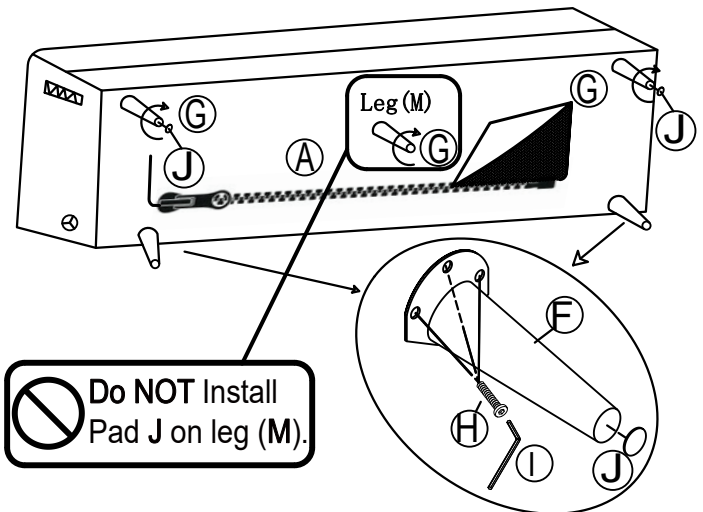
Place Part A (Seat Cushion Base with Storage) upside down. Locate the zipper on the bottom side and unzip it to access the internal compartment.



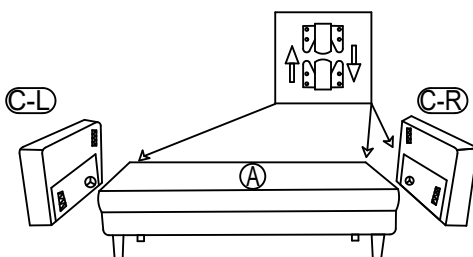
Remove Part D (Back Cushion) from the compartment. Inside, you will also find Parts C*1 and F/G (Legs), as well as the hardware kit including H, I, and J.

STEP 2

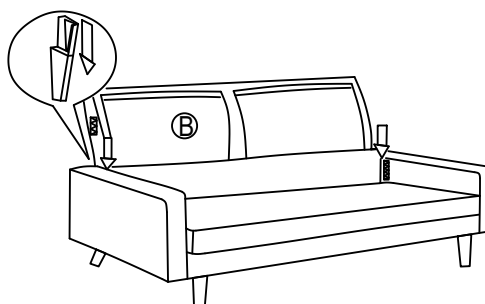
Important: Do NOT attach Pad J to the center leg (M). This may cause the sofa to become uneven.



STEP 3



STEP 4



STEP 5

