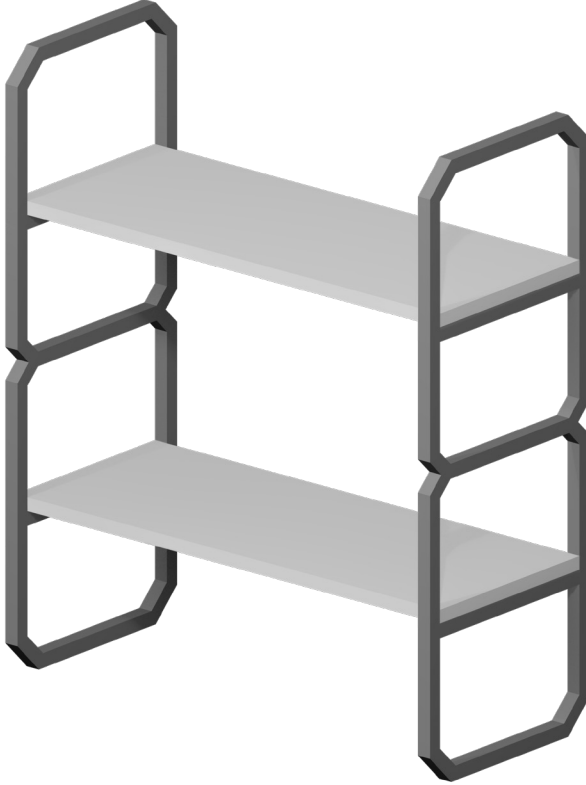


Owner Manual



10 : 00

estimated assembly +
installation time



2 or more

people required

Ok, let's
get started!



- Put on mood music!
- To prevent damage to product, use the clean side of package carton or rug as working surface.
- In the event of missing or damaged parts, delivery problems etc., please reach out to our team.
We will be happy to fix the problem!

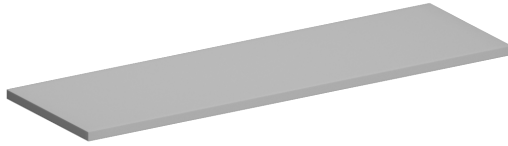
care guide

- Clean regularly with a soft and dry cloth.
- To protect finish, avoid use of abrasive cleaners.
- Wipe up spills immediately. Please!

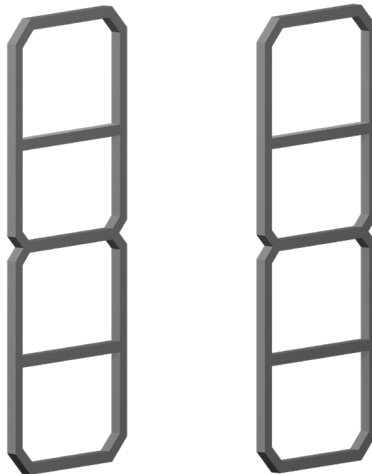
ⓘ **While assembling the product, tighten the bolts up to 50%. Once all parts are in place, only then fully tighten the bolts.**



product parts



(A)
Shelves
x2



(B)
Frames
x2

what's included



(C) - Bolt
x8



(D) - Allen Key
x1



(E) - Screw
x4



(F) - Wall Plug
x4

assembly instructions

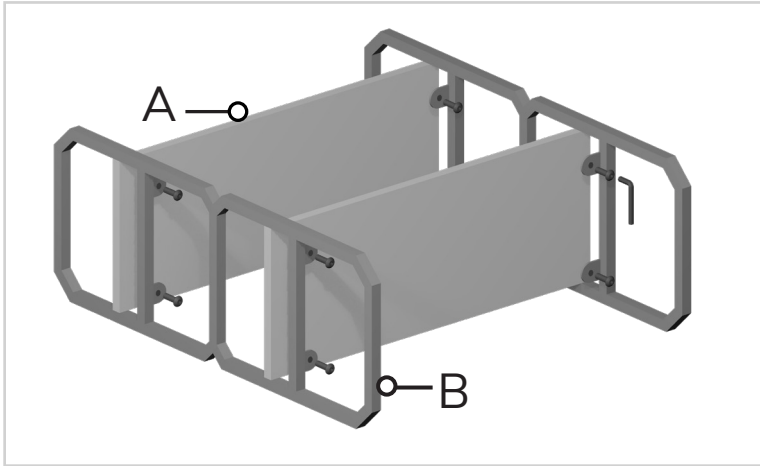
Friendly Tip: Take a deep breath going in. This may be a tricky part, but nothing too overwhelming. Just follow these steps to the T and the outcome will be worth it!



- ⓘ While assembling the product, tighten the bolts up to 50%. Once all parts are in place, only then fully tighten the bolts.

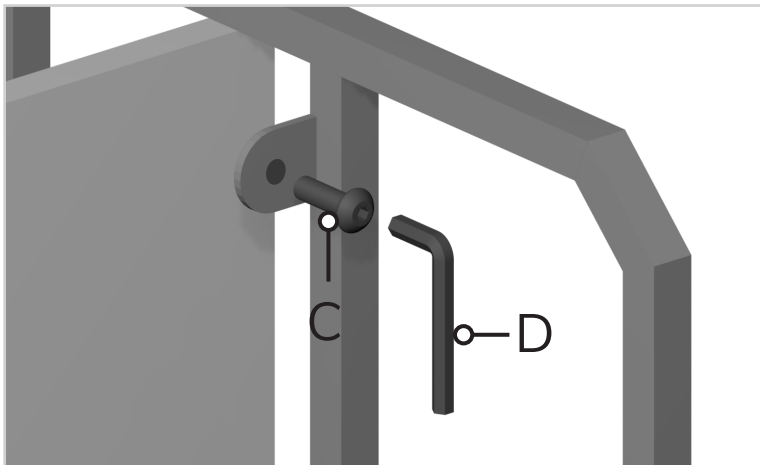
step 1:

Align shelf planks (A) with frames (B) taking this image as reference. Make sure both keyhole slots face upwards for easy mounting.



step 2:

To secure the shelf parts, tighten all bolts (C), with the help of allen key (D).



installation instructions



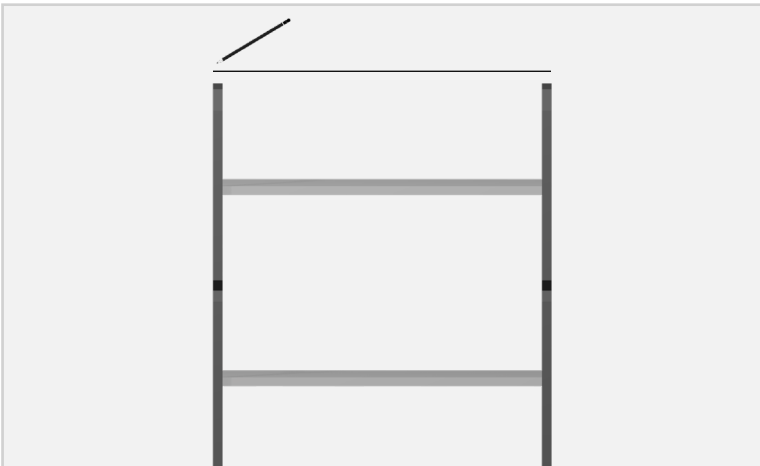
step 1:

Place the shelf on the wall and put a spirit level on it to check alignment. Adjust if needed.



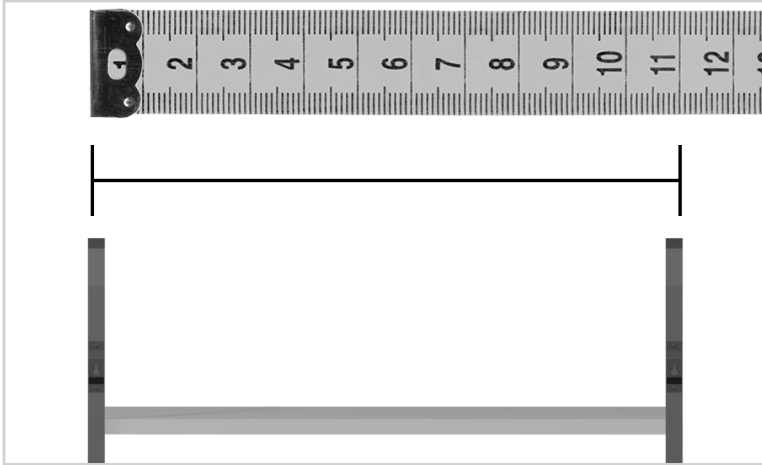
step 2:

Once the shelf is straight aligned to the wall, make a line running from its one end to the other using a pencil.



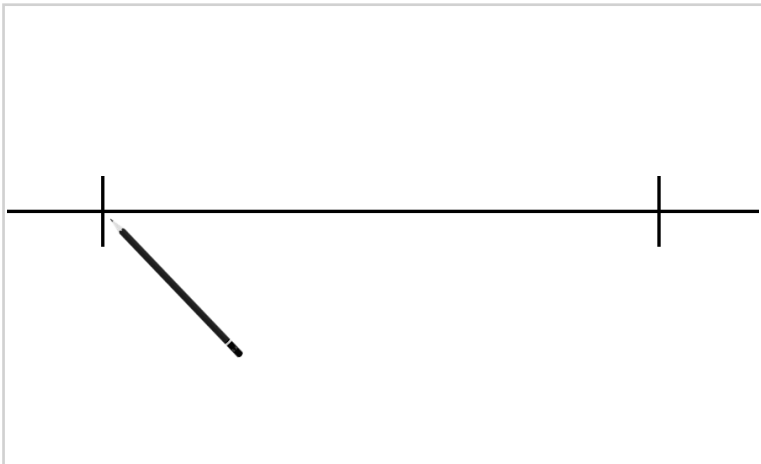
step 3:

Next, measure the distance between the two keyholes using a measuring tool.



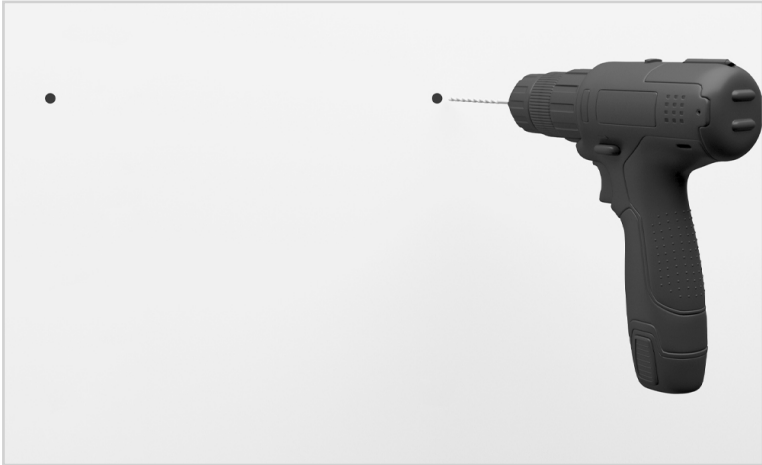
step 4:

Place the measuring tool against the line marked on the wall and make two marks on it where you want to mount the shelf.



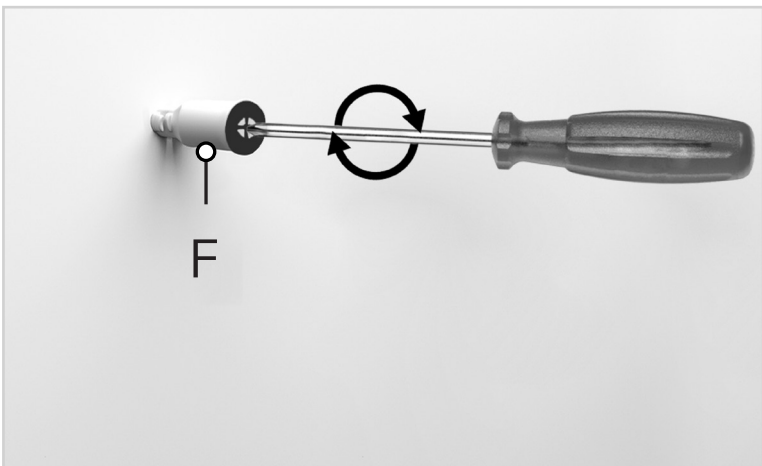
step 5:

Drill holes at the points you just marked.



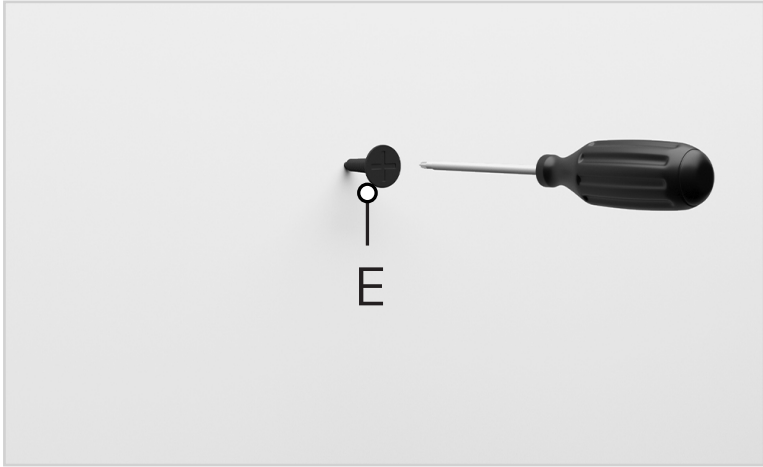
step 6:

Now, insert the wall plugs (F) using a screwdriver.



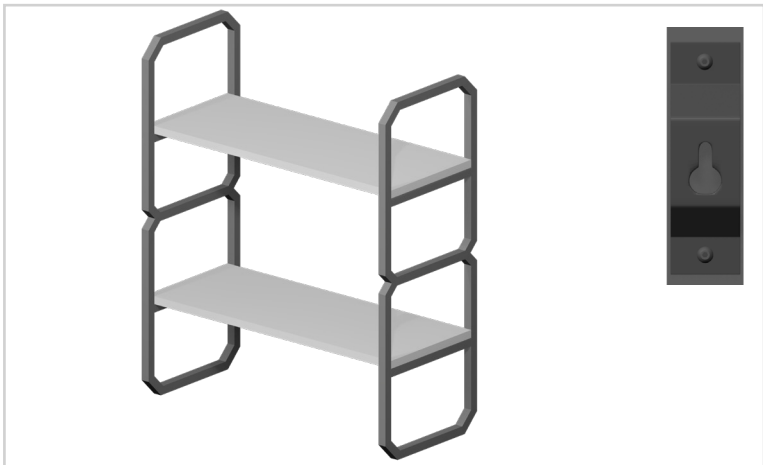
step 7:

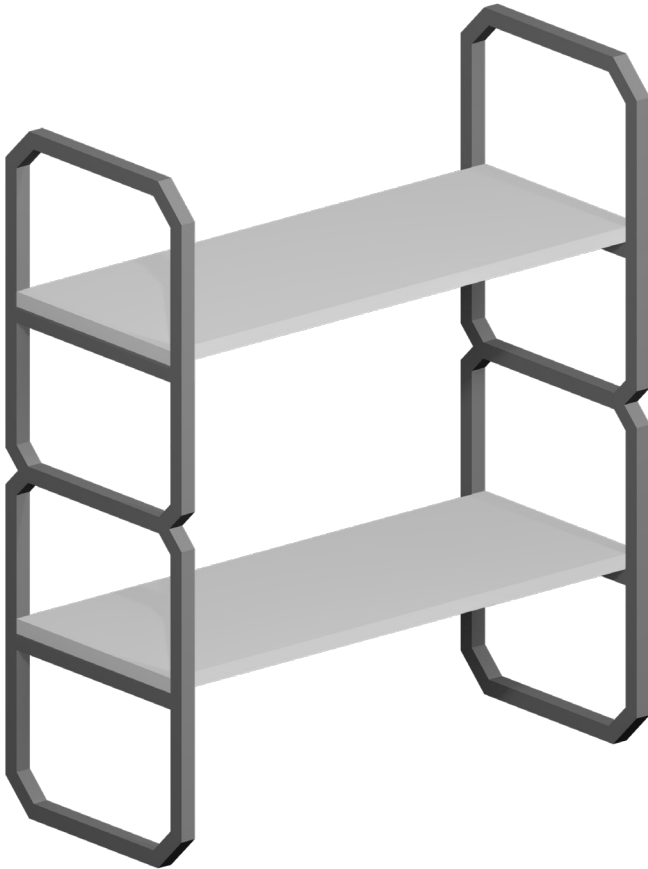
Insert the screws (E) using a screwdriver.



step 8:

Place the keyhole-slots over the screws.





Voila! Your shelf is now installed and secure!
