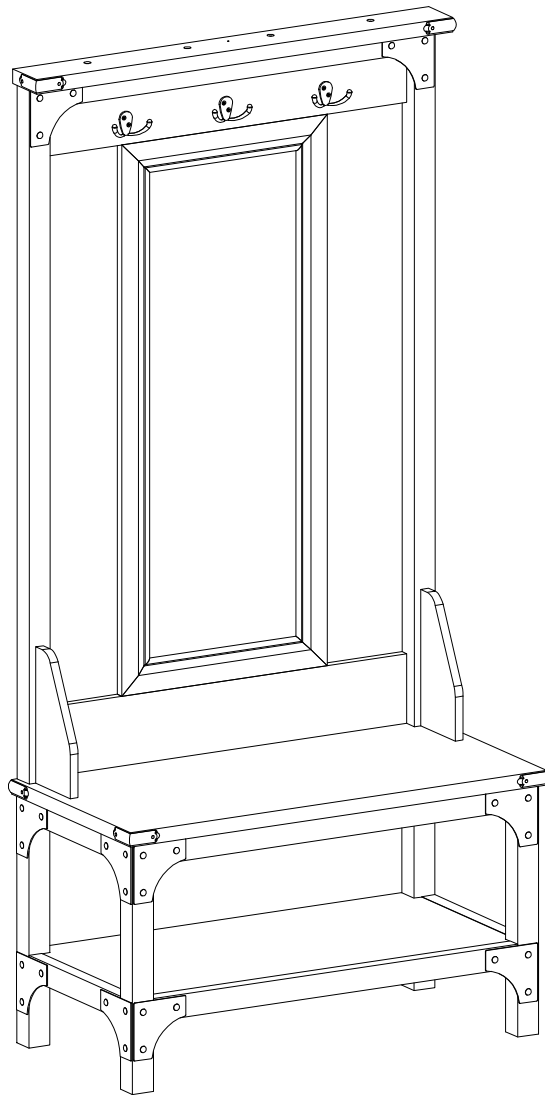


ASSEMBLY INSTRUCTIONS

Important Safety Instructions:

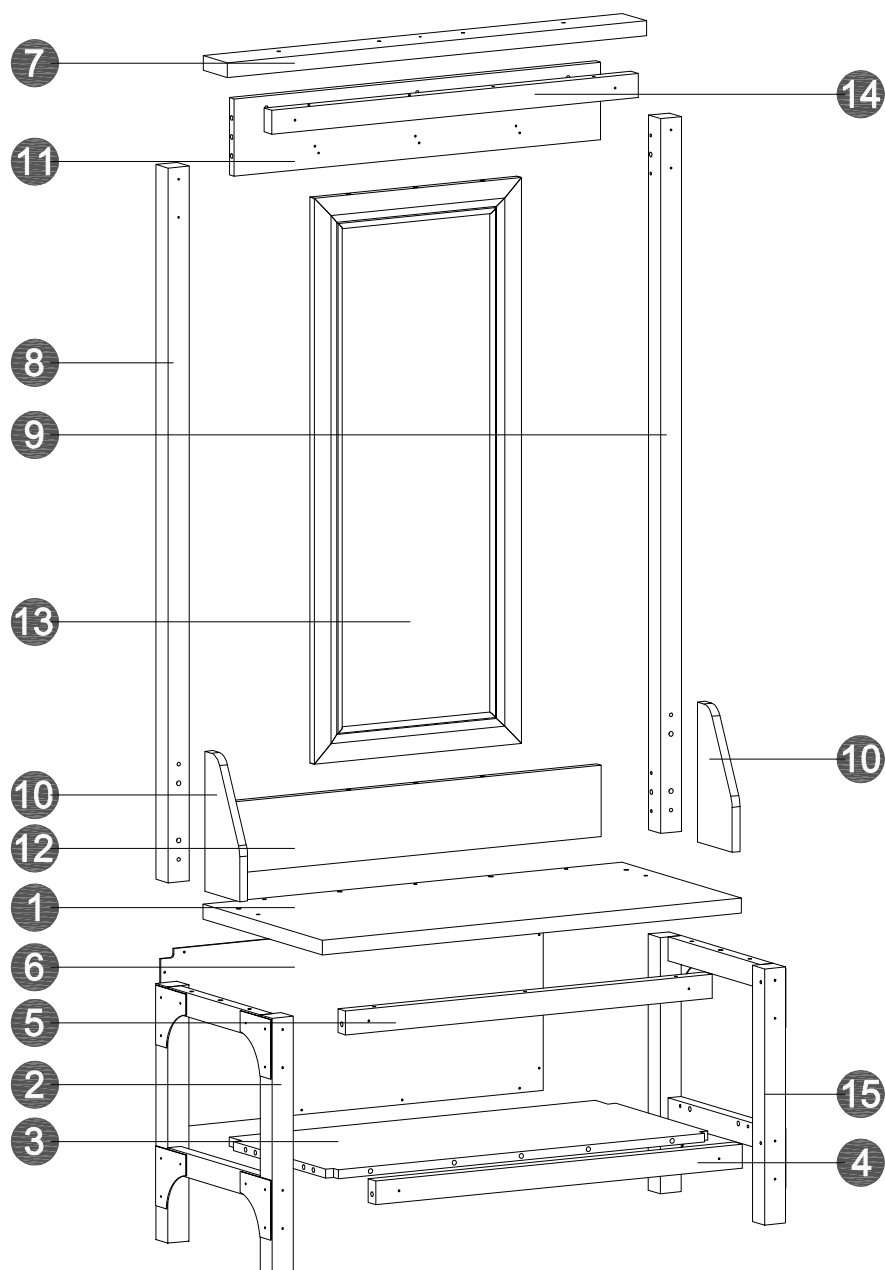
- Please read all instructions before beginning assembly
- Please make sure receive all the parcels to start the assembly
- For your safety and convenience, assembly by two people is recommended
- Use the parts and hardware lists to identify and separate each of the components included
- Save all packing materials until assembly is completed to avoid the accidental discarding of smaller parts or hardware



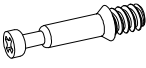



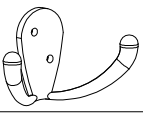
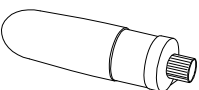
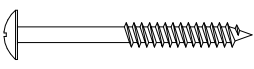

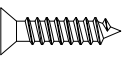

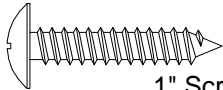

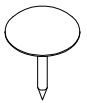
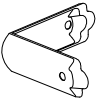
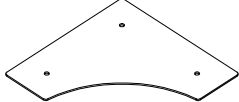
THANK YOU FOR PURCHASING

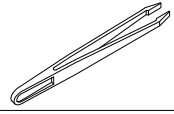
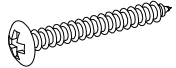


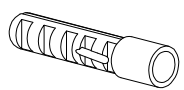
PARTS LIST

1 X1	2 X1	3 X1	4 X1	5 X1
6 X1	7 X1	8 X1	9 X1	10 X2
11 X1	12 X1	13 X1	14 X1	15 X1



HARDWARE LIST

Name	Part	Qty.	Spare
A		15	1
B		15	1
C		22	1
D		6	1
E		3	
F		1	
G	 2-3/4" Screw	4	
H	 2" Screw	16	1
I	 5/8" Screw	6	1
J	 3/4" Nail	12	1
K	 1" Screw	3	
L	 5/8" Nail	12	2
M		18	2
N		6	
O		6	

Name	Part	Qty.	Spare
P		1	
U1		1	
U2		1	
U3		1	
U4		1	

STEP 1

A x 8pcs 

C x 12pcs 

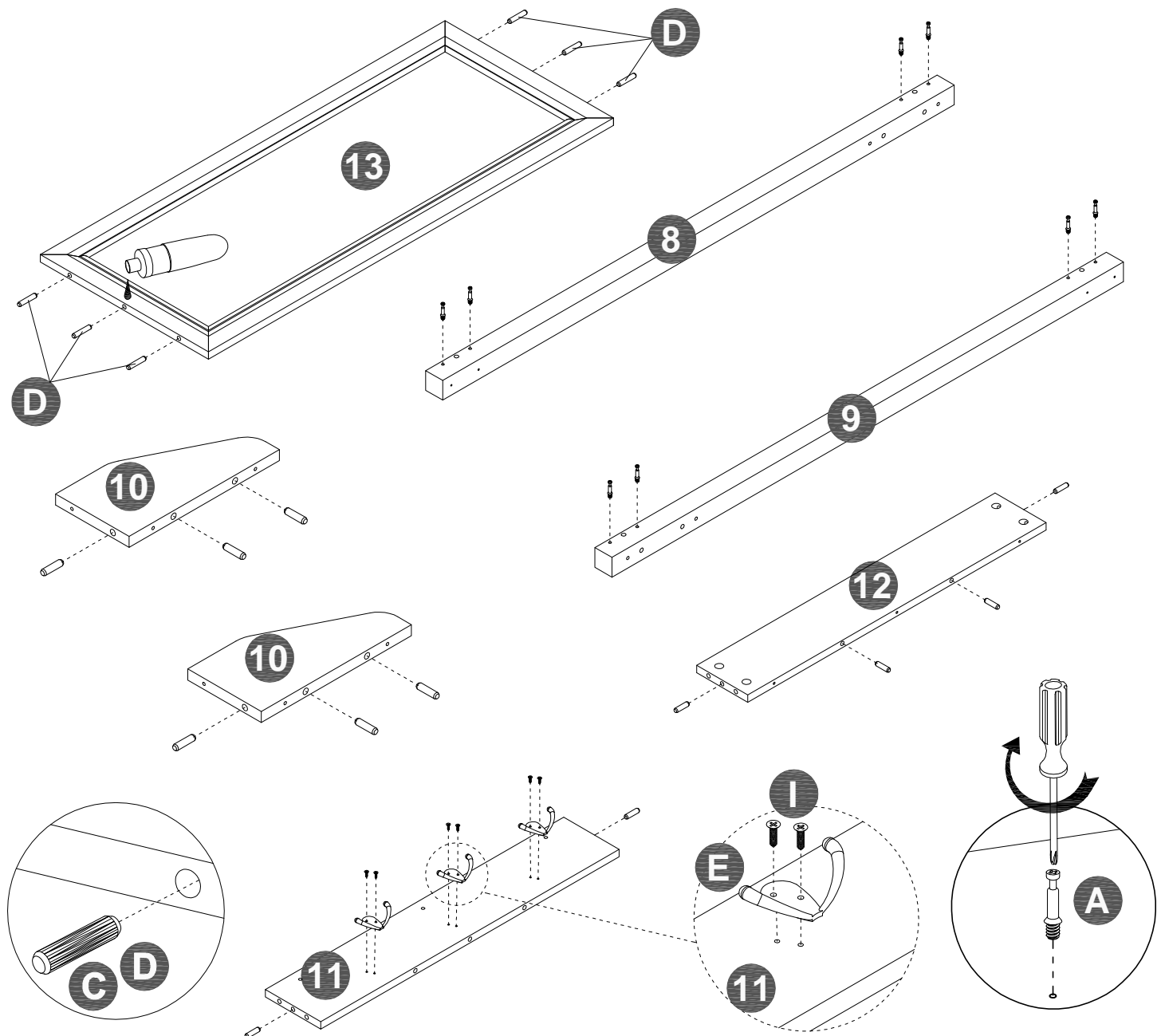
D x 6pcs 

E x 3pcs 

I x 6pcs 

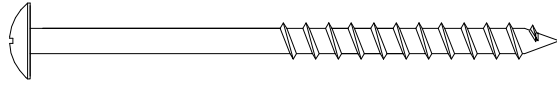
F 

It is very important to add a small drop of glue to the connecting hole of the wooden stick!

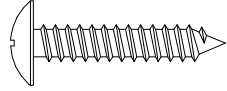


STEP 2

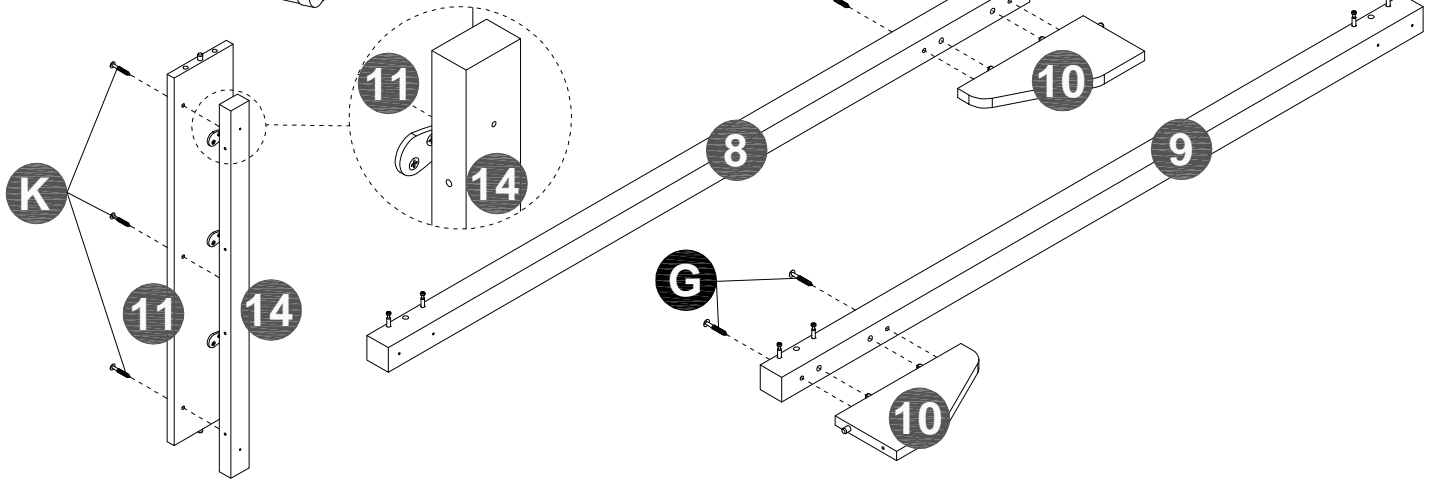
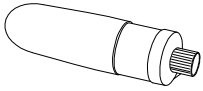
G x 4pcs



K x 3pcs



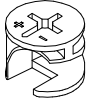
F



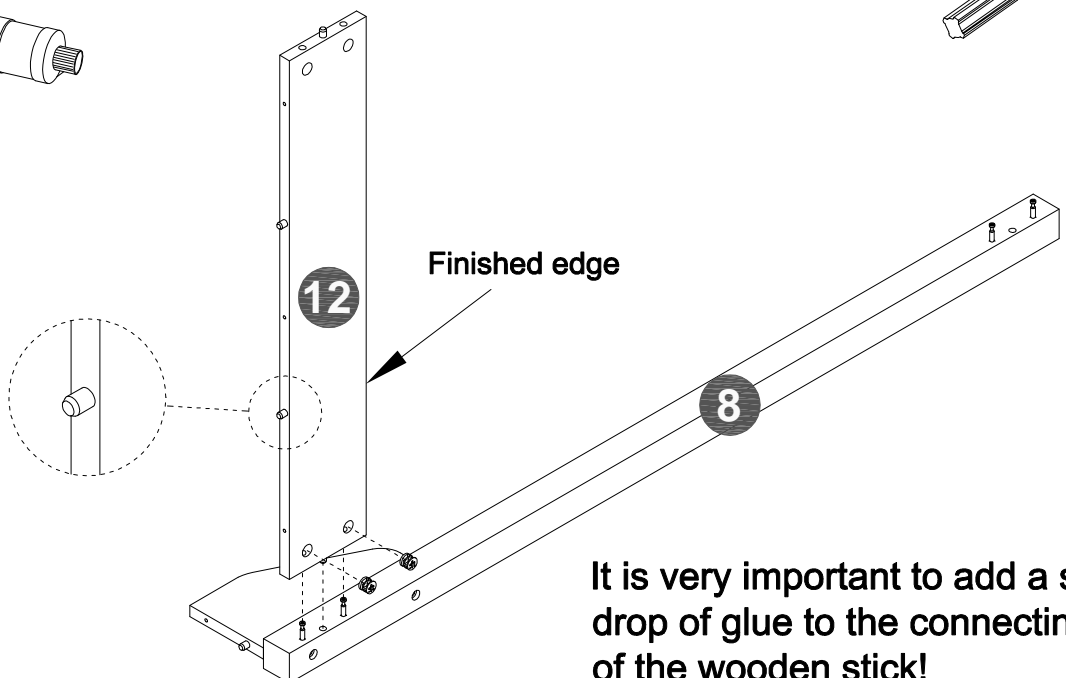
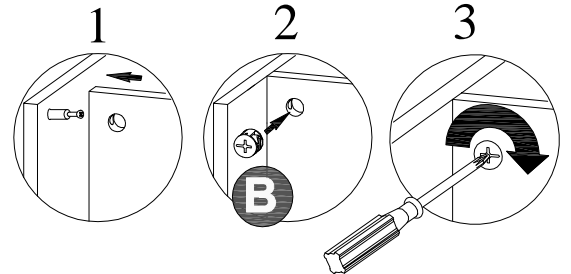
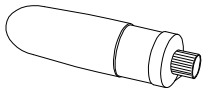
It is very important to add a small drop of glue to the connecting hole of the wooden stick!

STEP 3

B x 2pcs



F



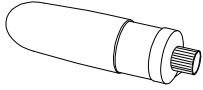
It is very important to add a small drop of glue to the connecting hole of the wooden stick!

STEP 4

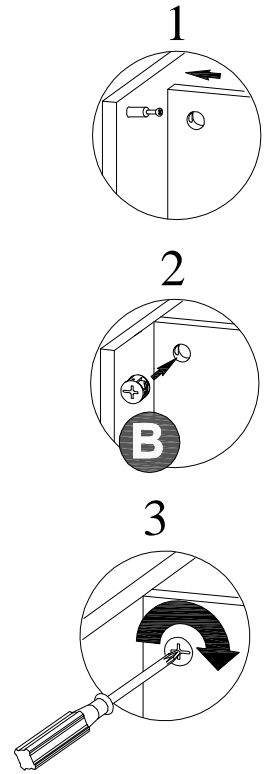
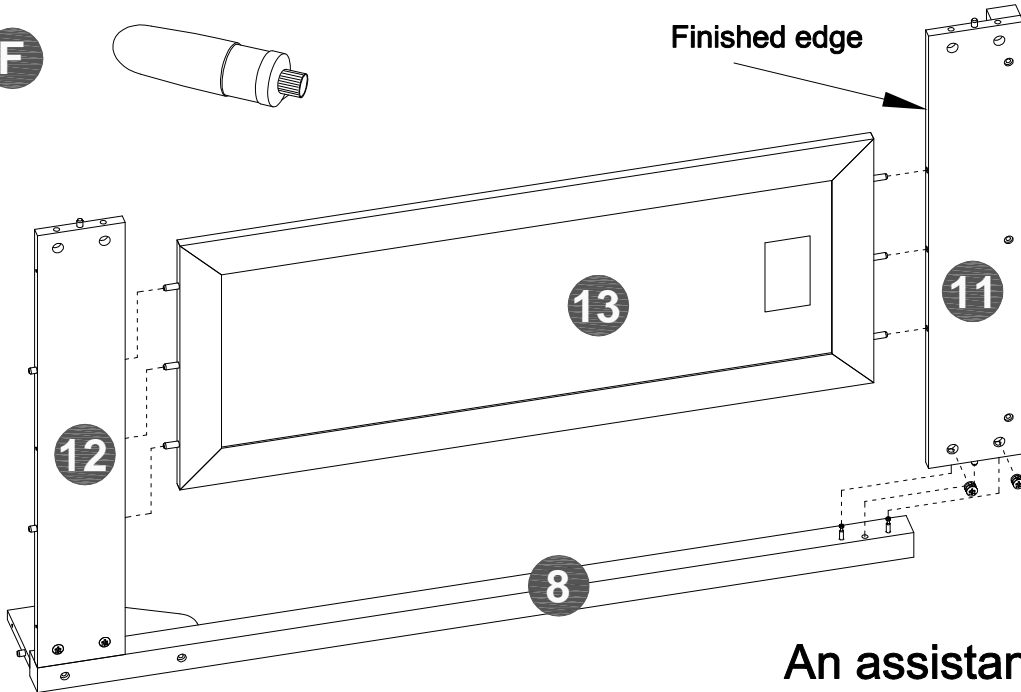
B x 2pcs



F



It is very important to add a small drop of glue to the connecting hole of the wooden stick!



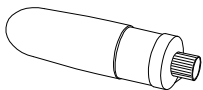
An assistant is required.

STEP 5

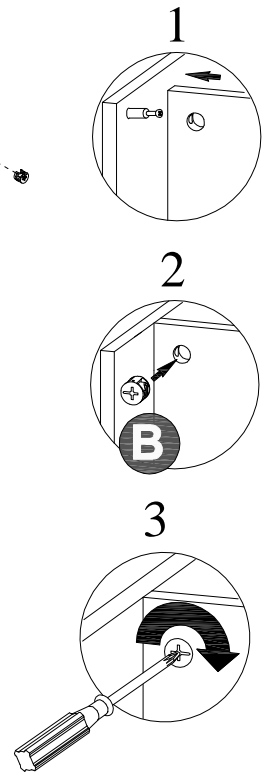
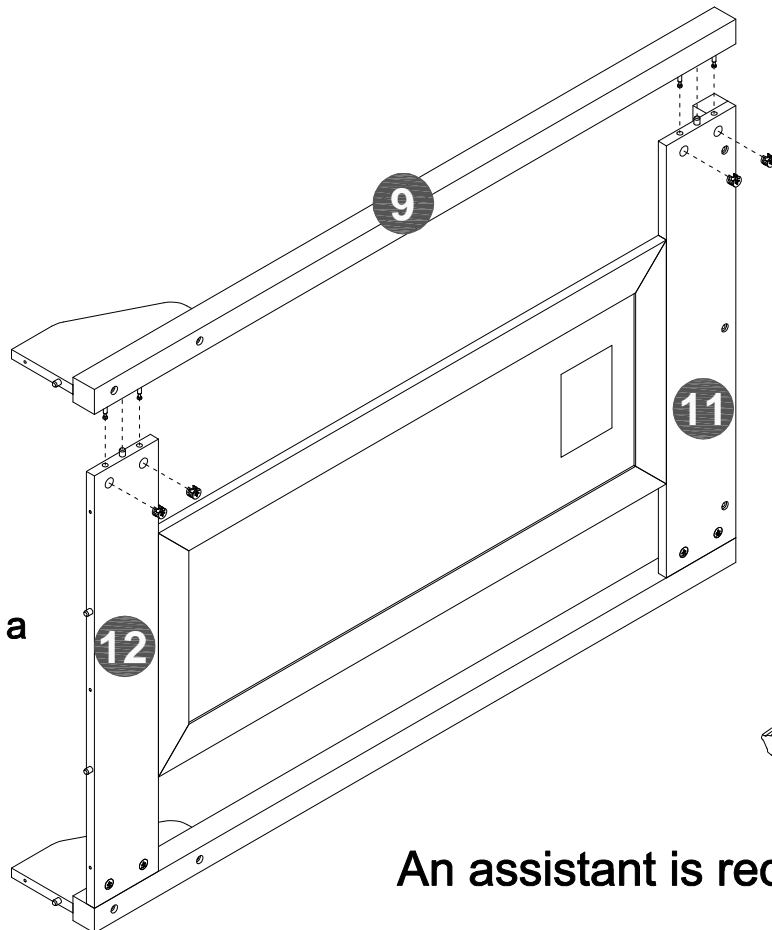
B x 4pcs



F



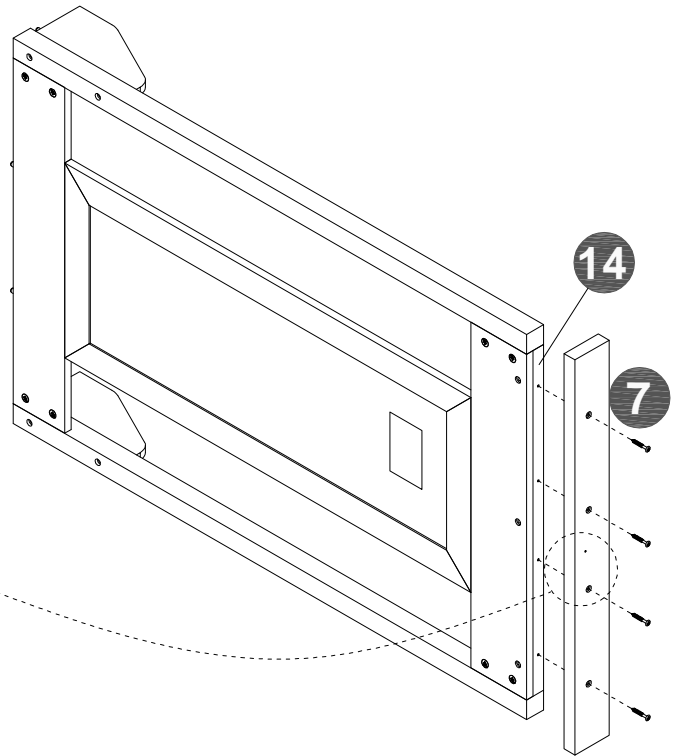
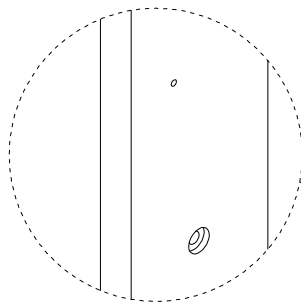
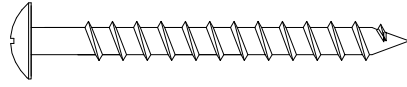
It is very important to add a small drop of glue to the connecting hole of the wooden stick!



An assistant is required.

STEP 6

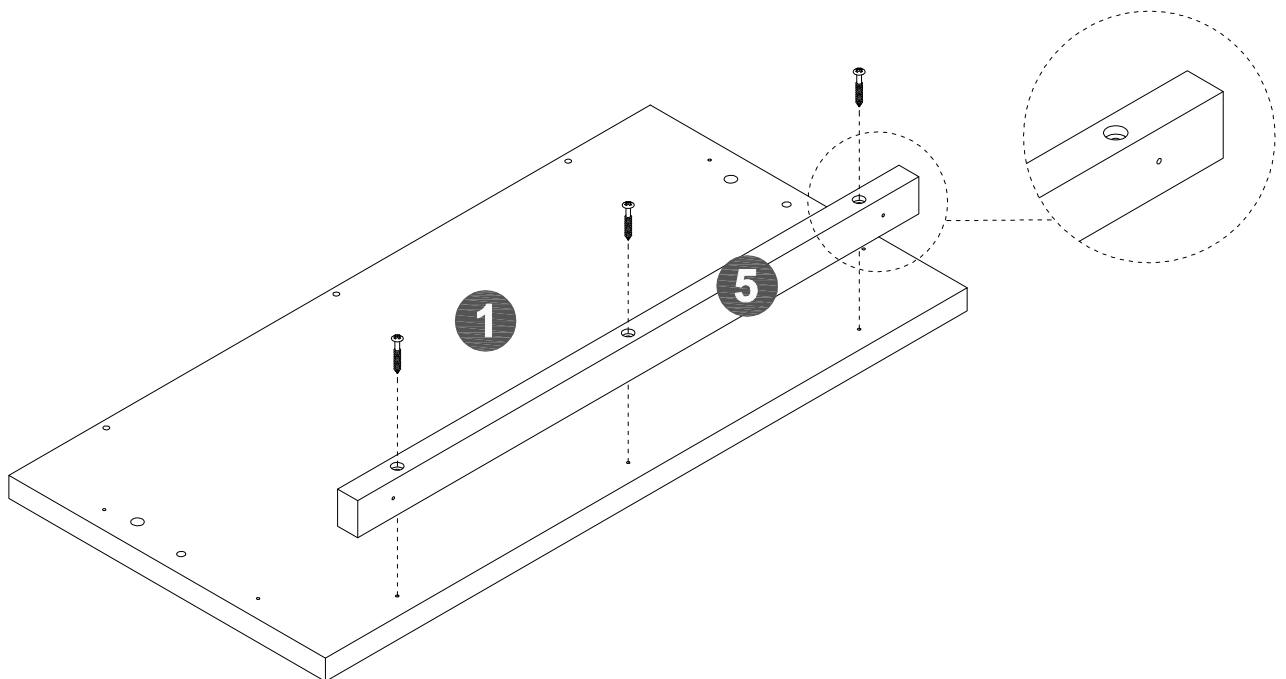
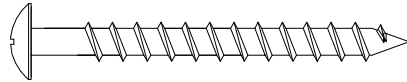
H x 4pcs



An assistant is required.

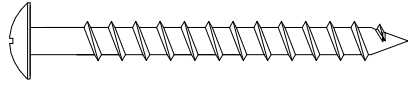
STEP 7

H x 3pcs

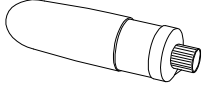


STEP 8

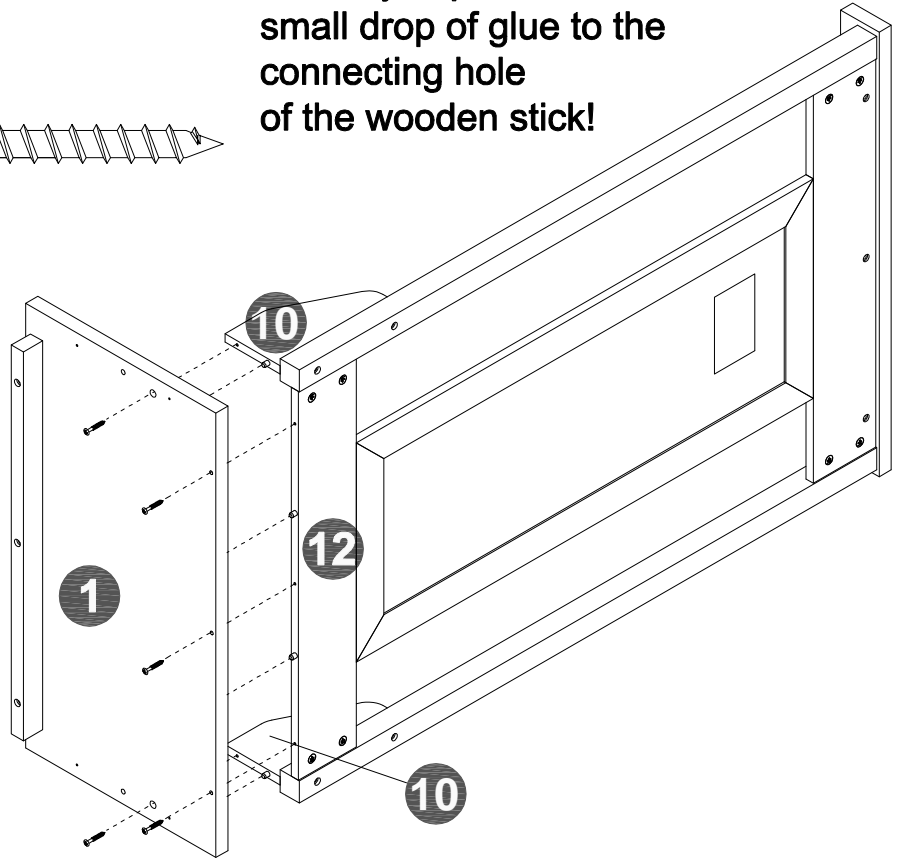
H x 5pcs



F



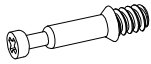
It is very important to add a small drop of glue to the connecting hole of the wooden stick!



An assistant is required.

STEP 9

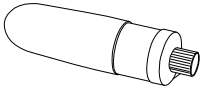
A x 7pcs



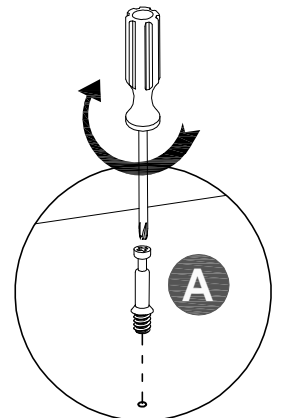
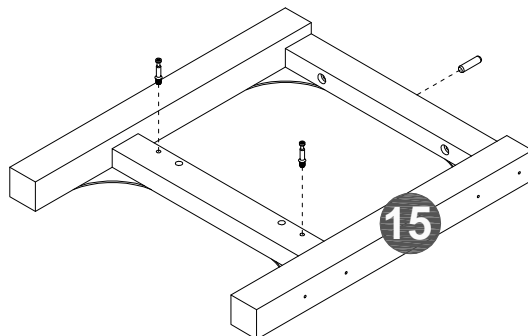
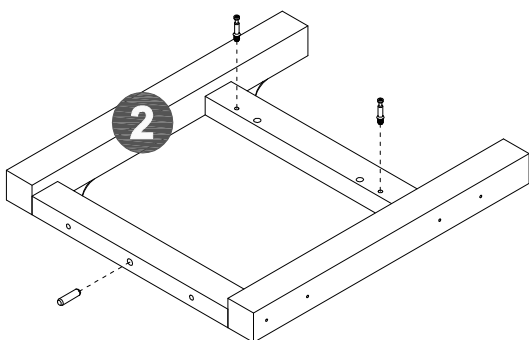
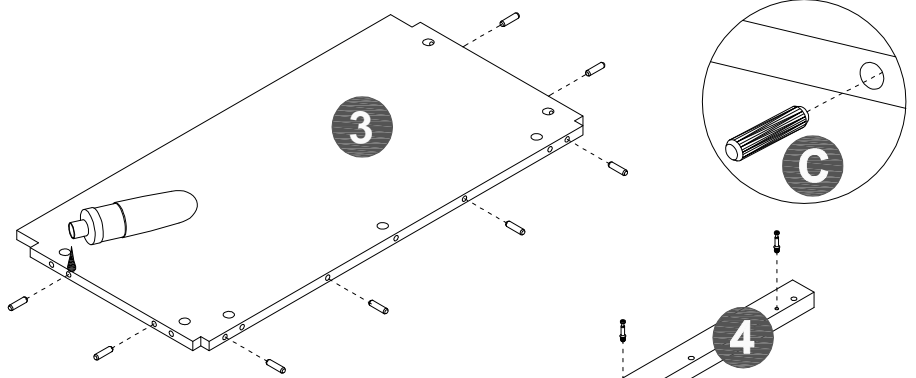
C x 10pcs



F

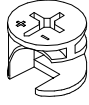


It is very important to add a small drop of glue to the connecting hole of the wooden stick!

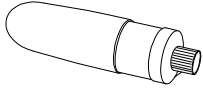


STEP 10

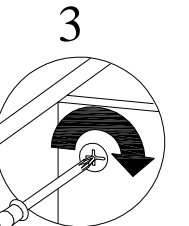
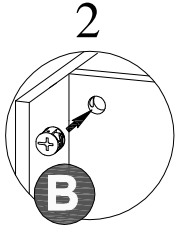
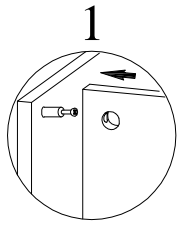
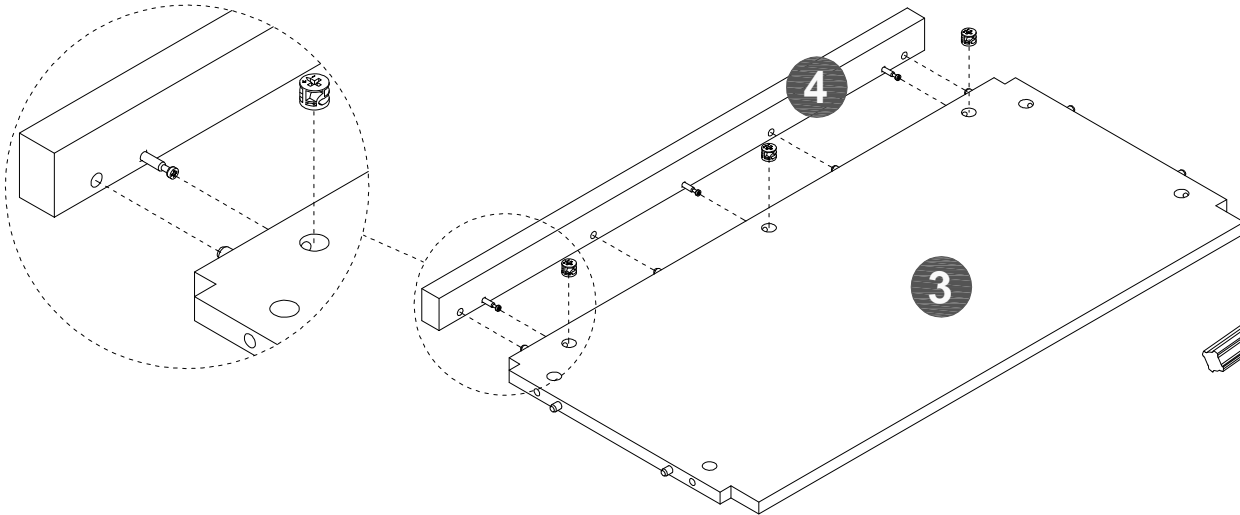
B x 3pcs



F

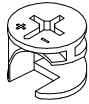


It is very important to add a small drop of glue to the connecting hole of the wooden stick!

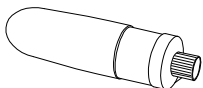


STEP 11

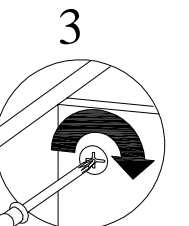
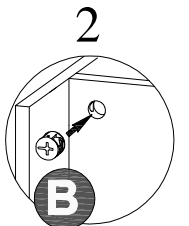
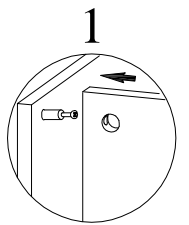
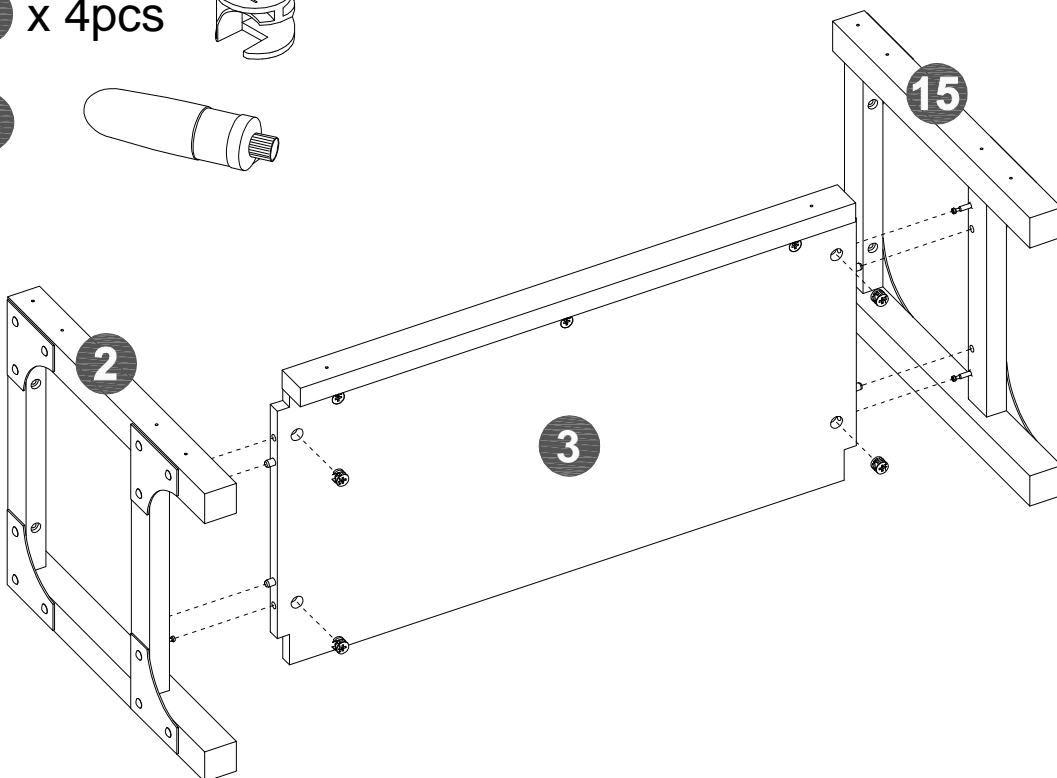
B x 4pcs



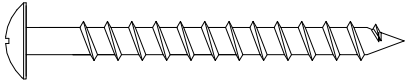
F



It is very important to add a small drop of glue to the connecting hole of the wooden stick!



STEP 12

H x 4pcs 

F 

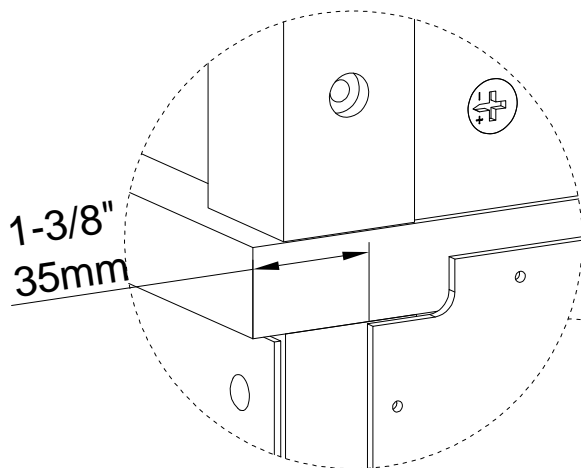
It is very important to add a small drop of glue to the connecting hole of the wooden stick!



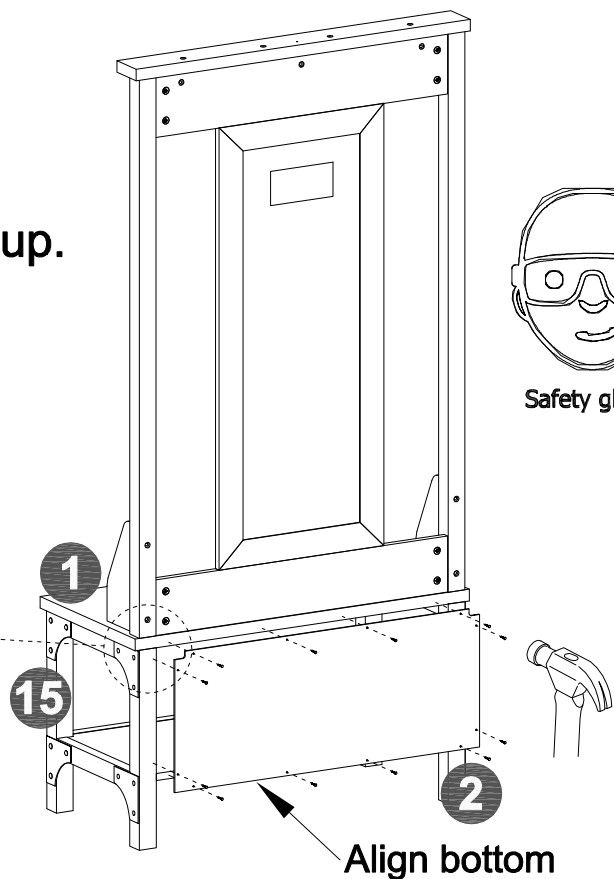
STEP 13

J x 12pcs 

With assistant carefully stand unit up.

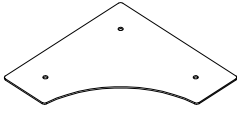


An assistant is required.

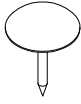


STEP 14

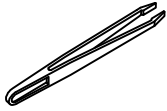
O x 6pcs



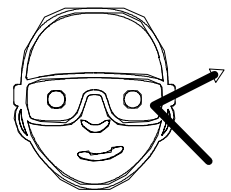
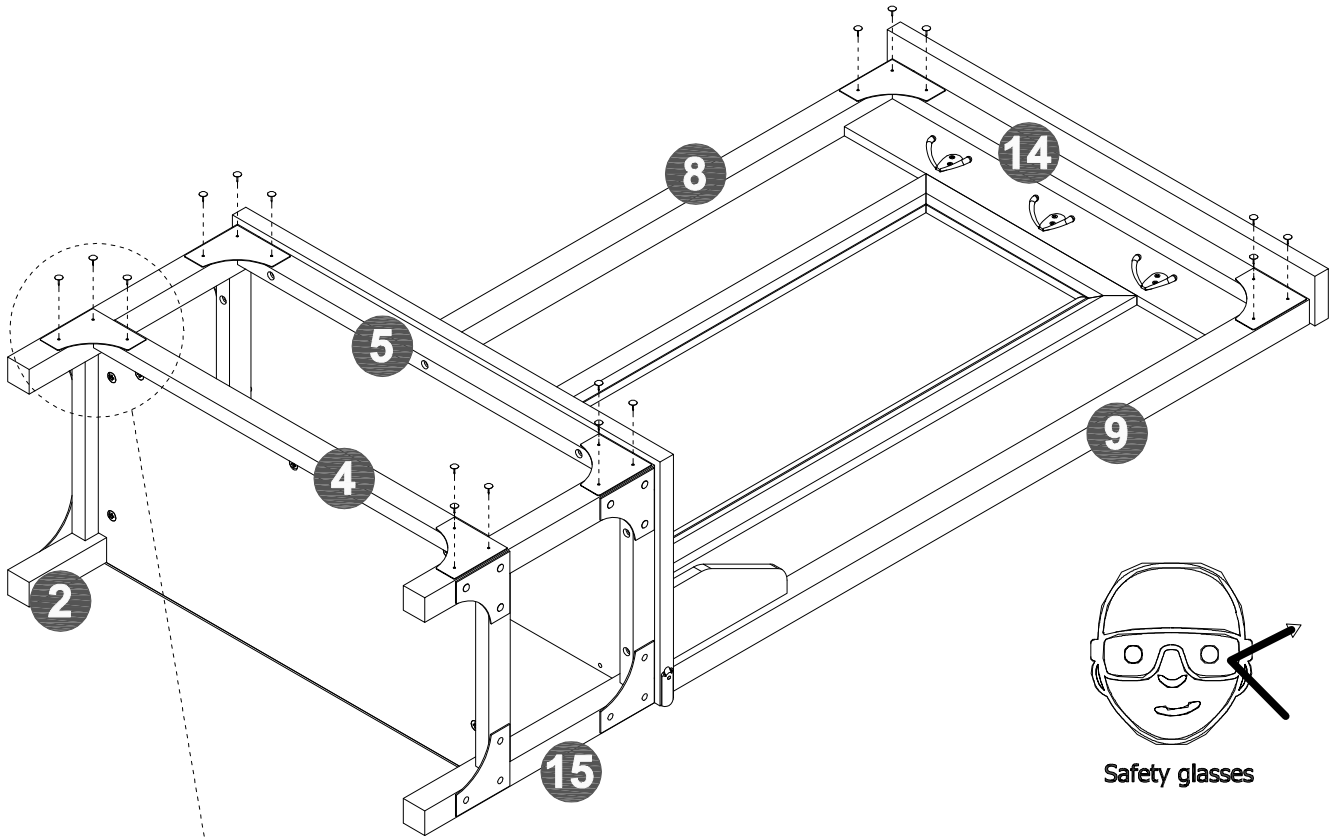
M x 18pcs



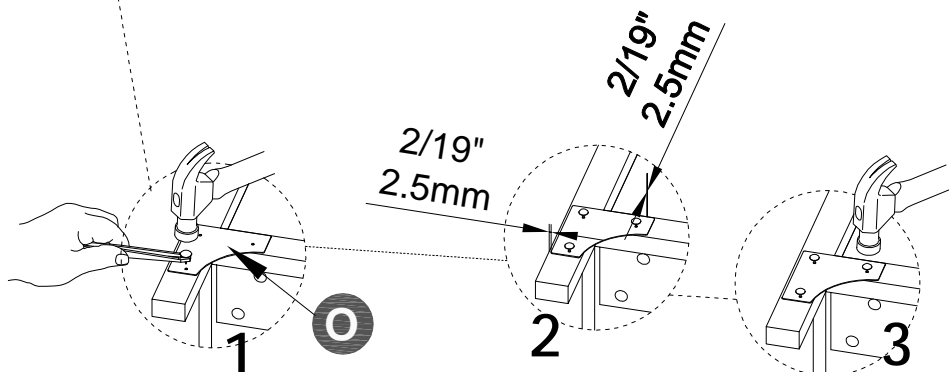
P



With assistant carefully flip unit over.



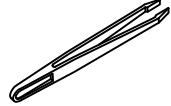
Safety glasses

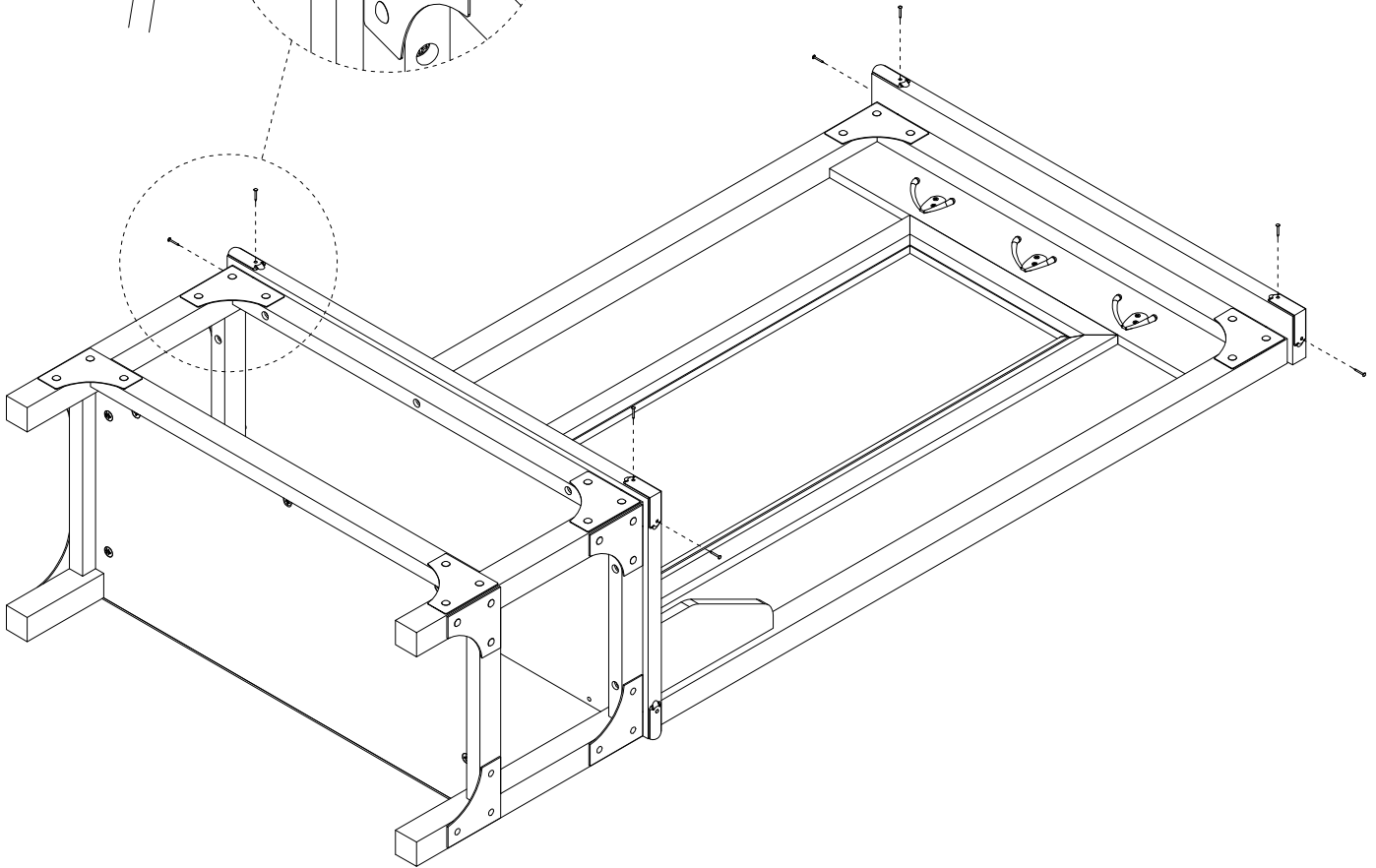
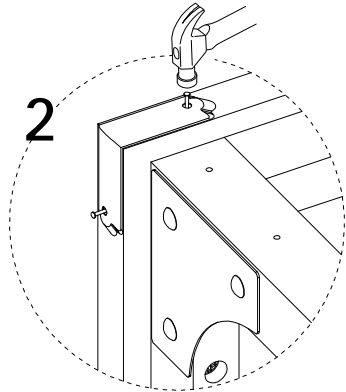
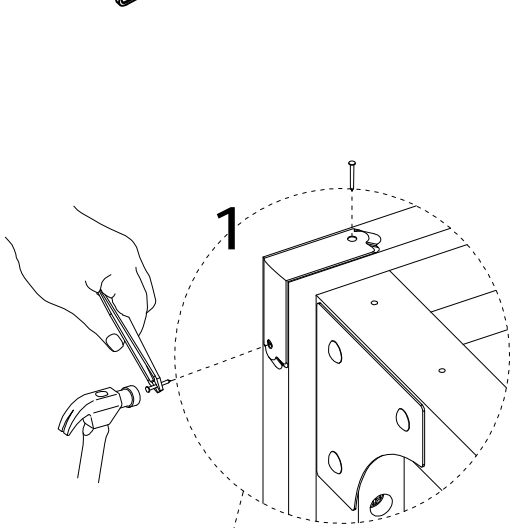


STEP 15

L x 8pcs 

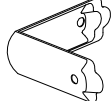
N x 4pcs 

P 

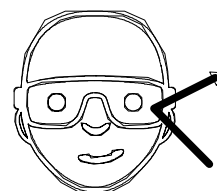


STEP 16

L x 4pcs 

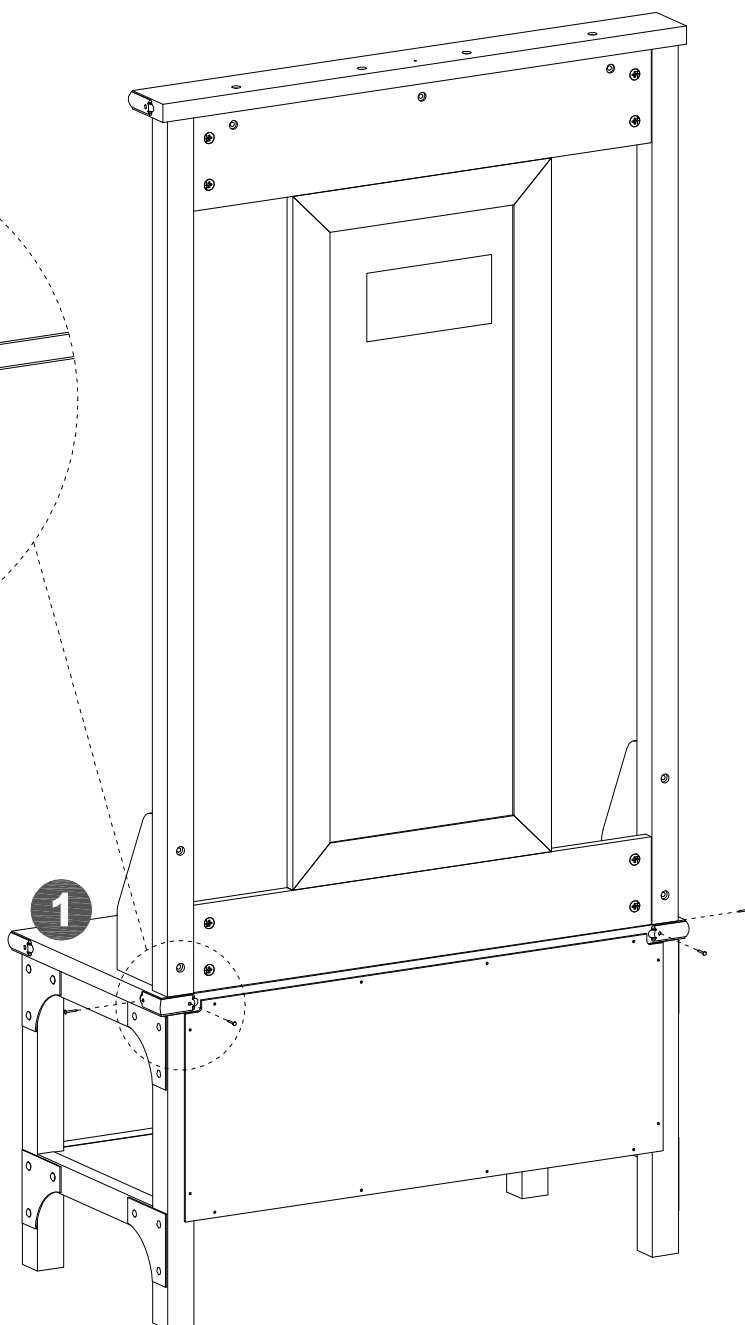
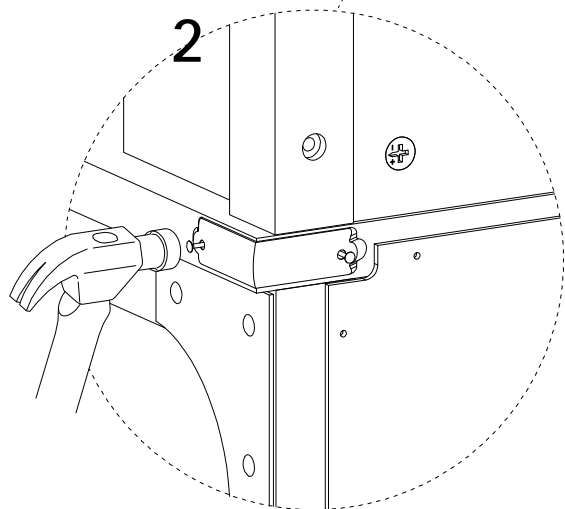
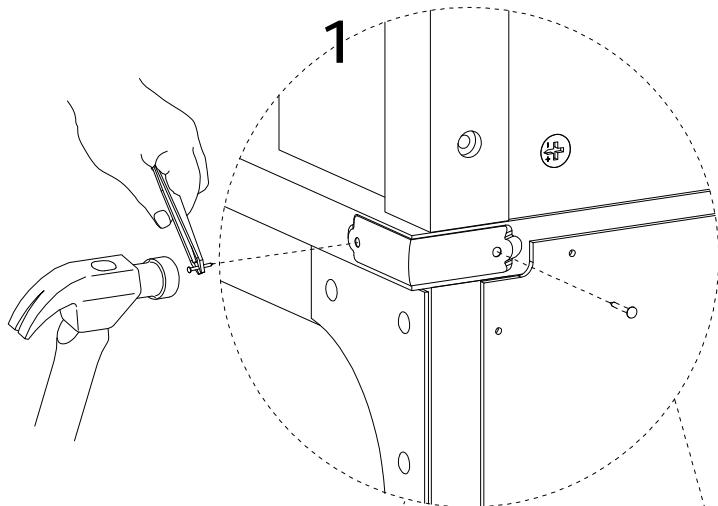
N x 2pcs 

P 



Safety glasses

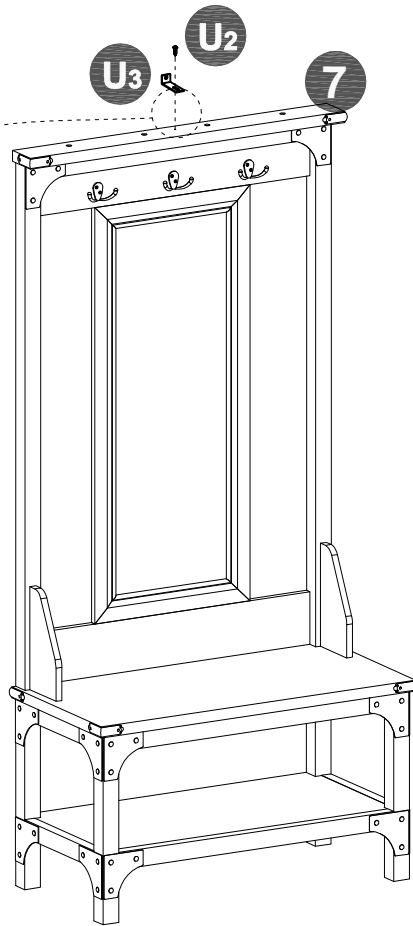
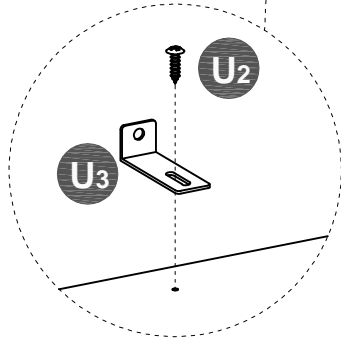
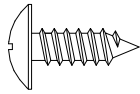
With assistant carefully stand unit up.



STEP 17

U₂ x 1pc

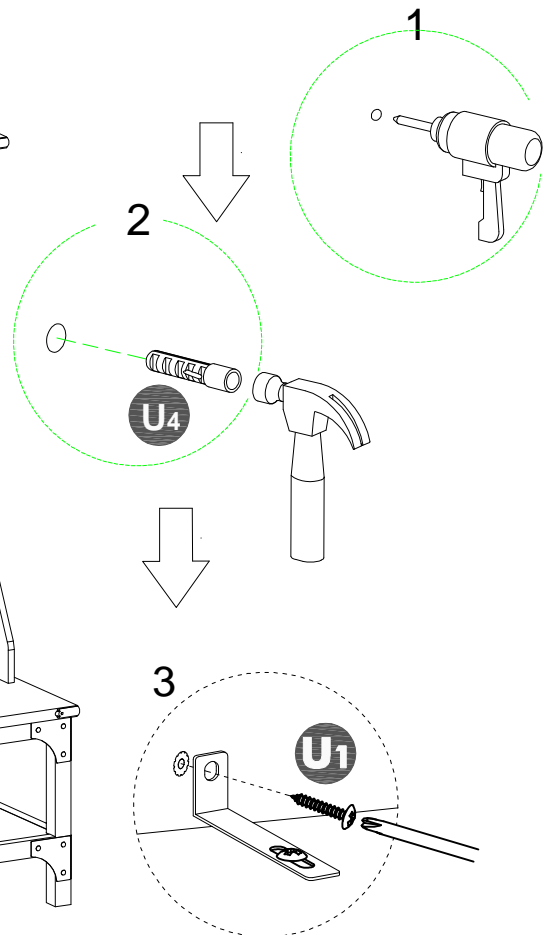
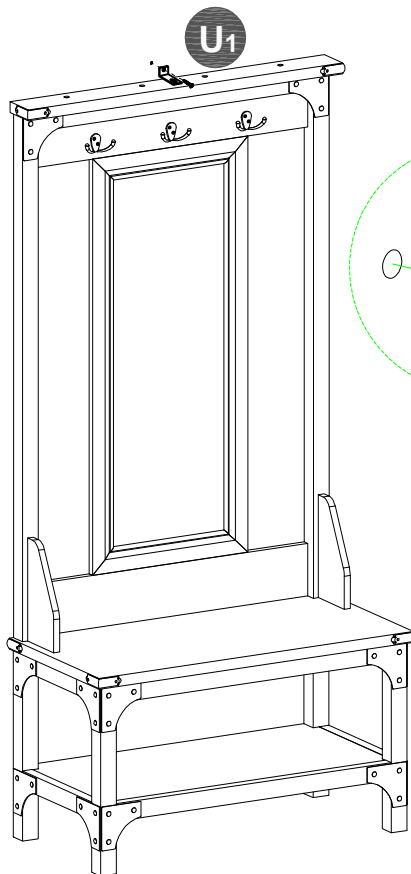
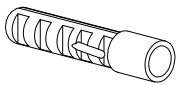
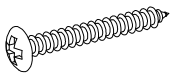
U₃ x 1pc



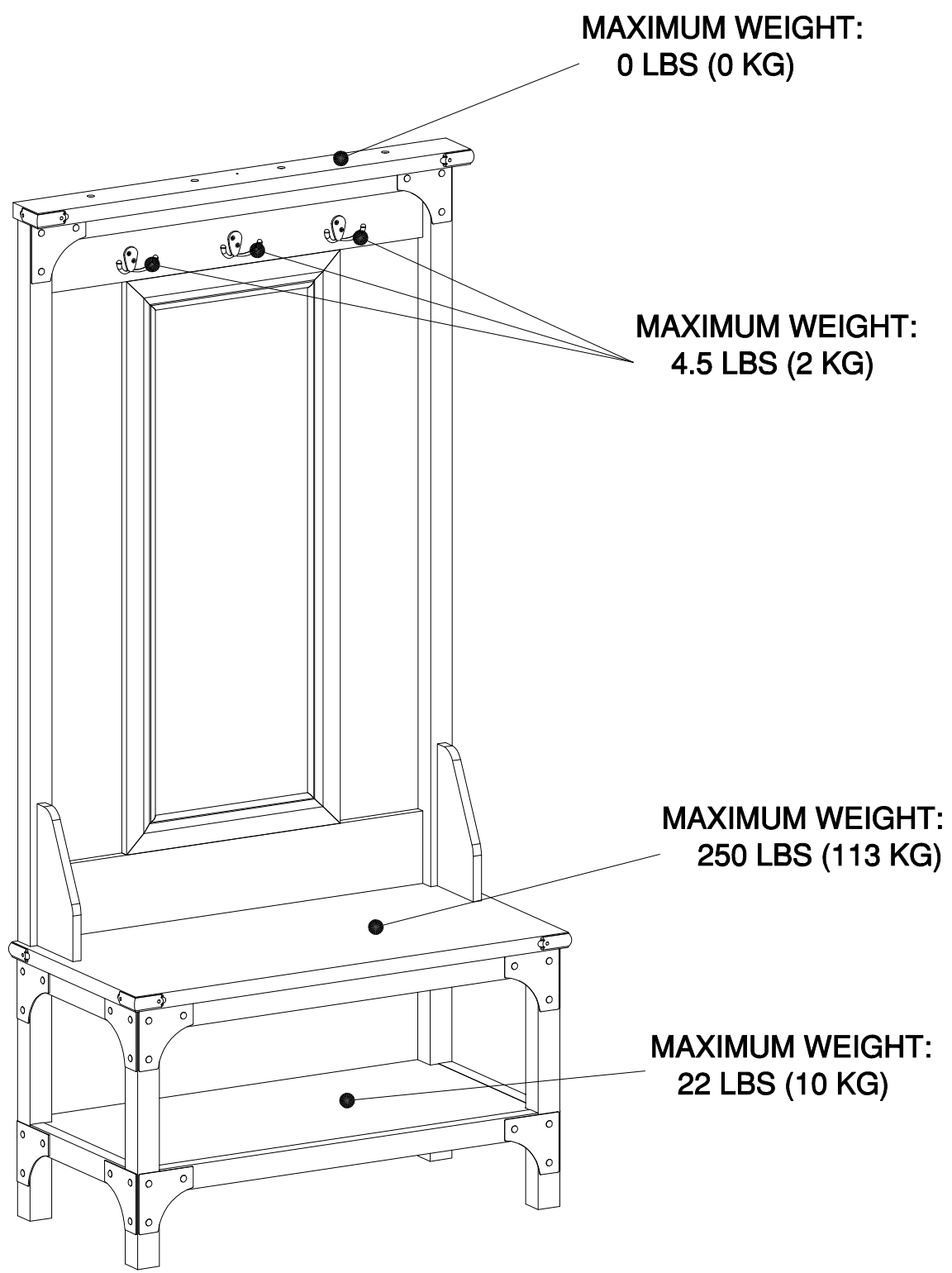
STEP 18

U₁ x 1pc

U₄ x 1pc



Maximum weight capacities



What is Proposition 65?

Proposition 65 is a California law that requires warning labels on products that may contain one of more than 800-plus chemicals or ingredients that the California Office of Environmental Health Hazard Assessment (OEHHA) has deemed to cause cancer or other reproductive toxicity. Chemicals and elements on this list include wood dust, brass, and other everyday substances, which can be found in very common household items, such as: lamps, tableware, jewelry, crystal glasses, electric cords, beauty products, automobiles, and furniture.

Why Did I Find a Proposition 65 Warning on My Home Goods Product?

We include Proposition 65 warnings on all of our products because there is always a chance that one of the 800-plus common chemicals and ingredients listed under this law could potentially be on our furniture or packing materials. We risk large fines under this law, if we don't include this warning.

Should I worry?

We realize you may be worried finding this warning on our products, but we want to reassure you that the hazardous exposure limits for any of these chemicals have never been found on furniture products that we've shipped to our customers. Additionally, this warning label is very common and can be found on almost every piece of furniture sold in the state of California.

Just How Common Are Proposition 65 Warnings?

Proposition 65 warnings have become so common in California that it is hard to take a trip to local bank, grocery store, or restaurant without finding at least one warning. In fact, even the Disney Land Resort has a Proposition 65 warning:

