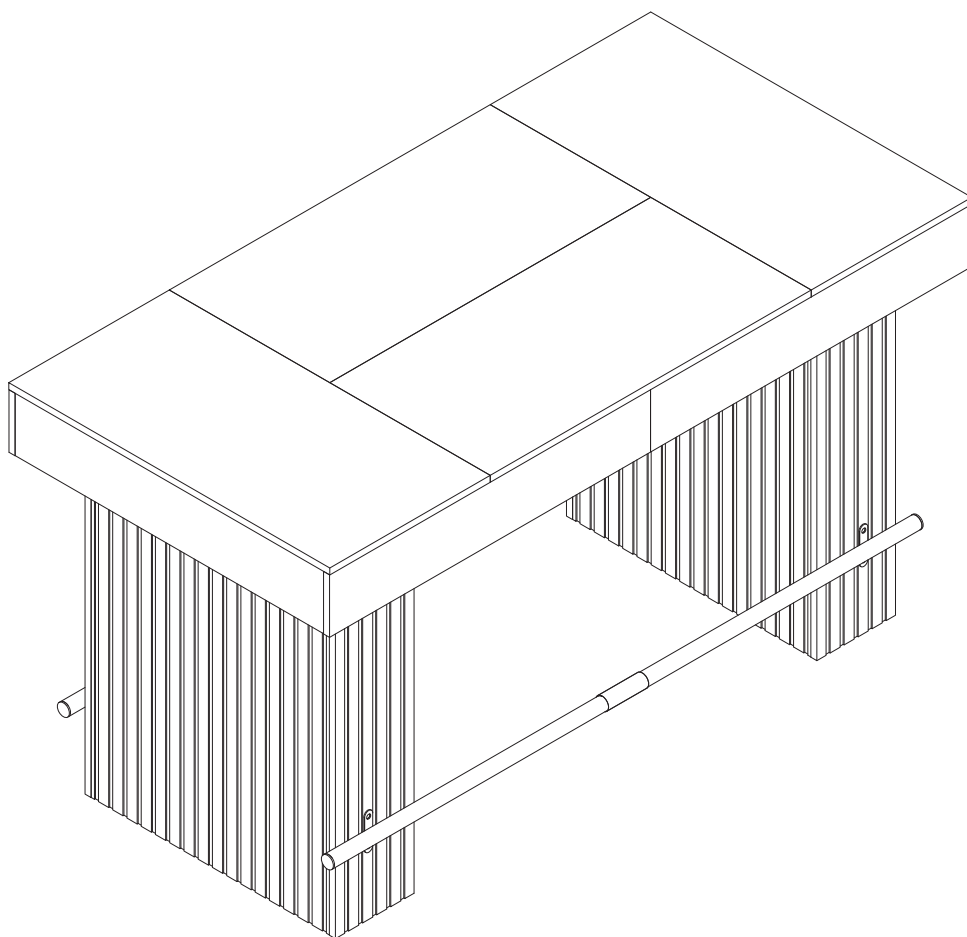


Assembly Instructions



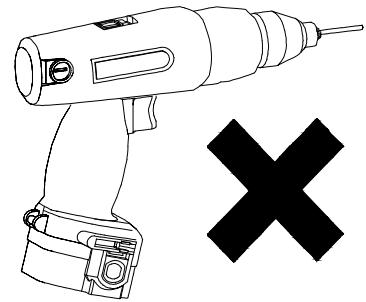
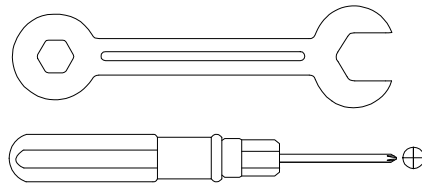
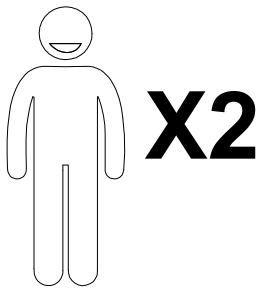
Contact Us

We're here to help you.

Your satisfaction is our top priority. If you encounter any issues with this product, such as missing or damaged parts, we're here to help. Please retain the original packaging and take photos of the packaging and the product, then contact us as soon as possible.

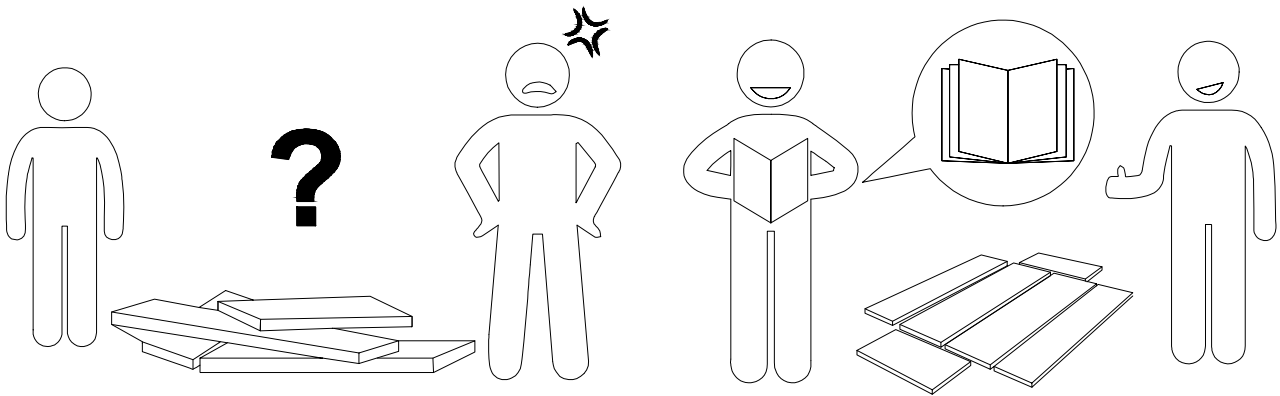
Warm Tips

1. Carefully read these instructions and keep them for future reference.
2. Check the parts list and confirm everything's there before starting assembly.
3. When assembling, put all parts on a soft, smooth surface like a carpet to avoid scratches.
4. Don't fully tighten screws until all parts are confirmed in place to avoid misalignment.



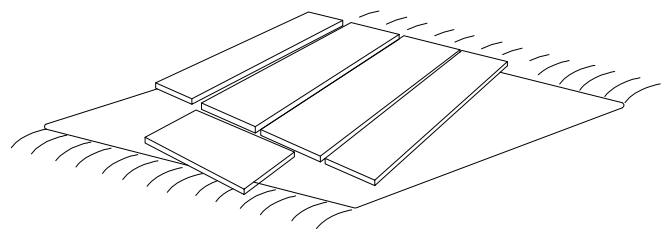
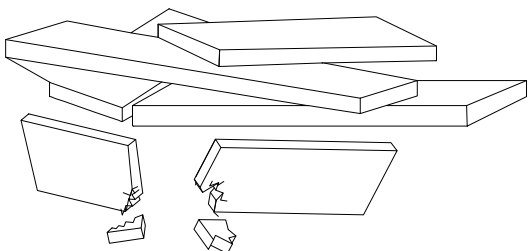
We recommend using hand tools for assembly.

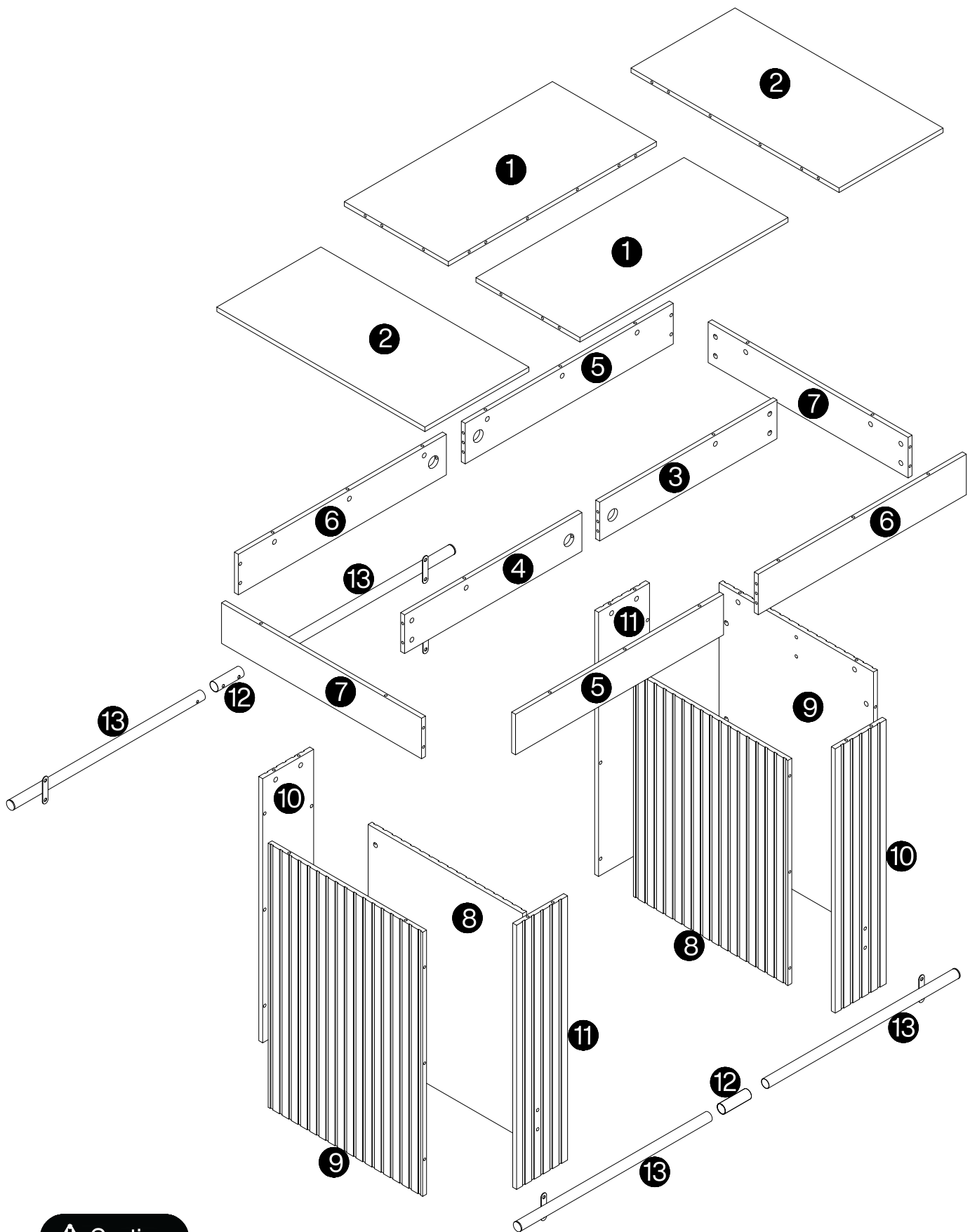
If an electric screwdriver is used, reduce power and torque to avoid damage to the product.



AVOID SCRATCHES

In order to avoid scratching, this furniture should be assembled on a soft surface, such as a rug.

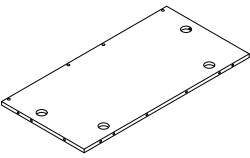
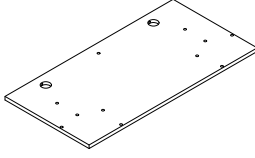
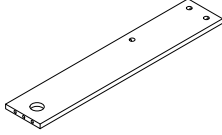
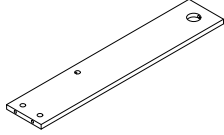
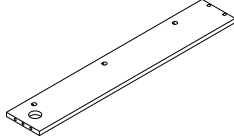
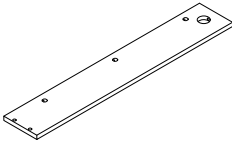
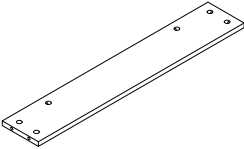
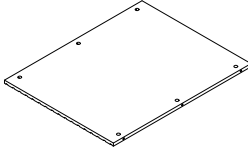
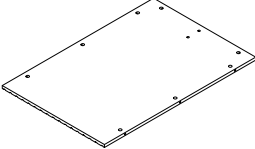
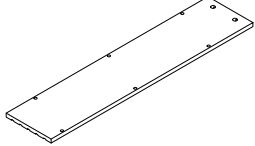
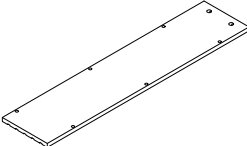
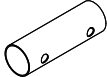
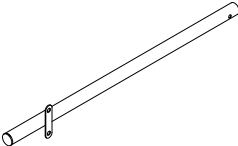




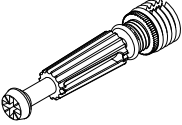
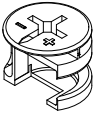
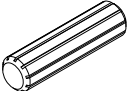
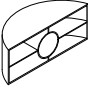

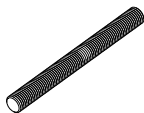
⚠ Caution

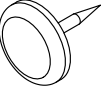




Make sure all parts are included. Most board parts are labeled or stamped on the raw edge. Contact us for a free replacement if you encounter any damaged or missing parts.

Parts List

1  2pcs	2  2pcs	3  1 pc	4  1 pc	5  2 pcs
6  2 pcs	7  2pcs	8  2 pcs	9  2 pcs	10  2 pcs
11  2 pcs	12  2pcs	13  4pcs		

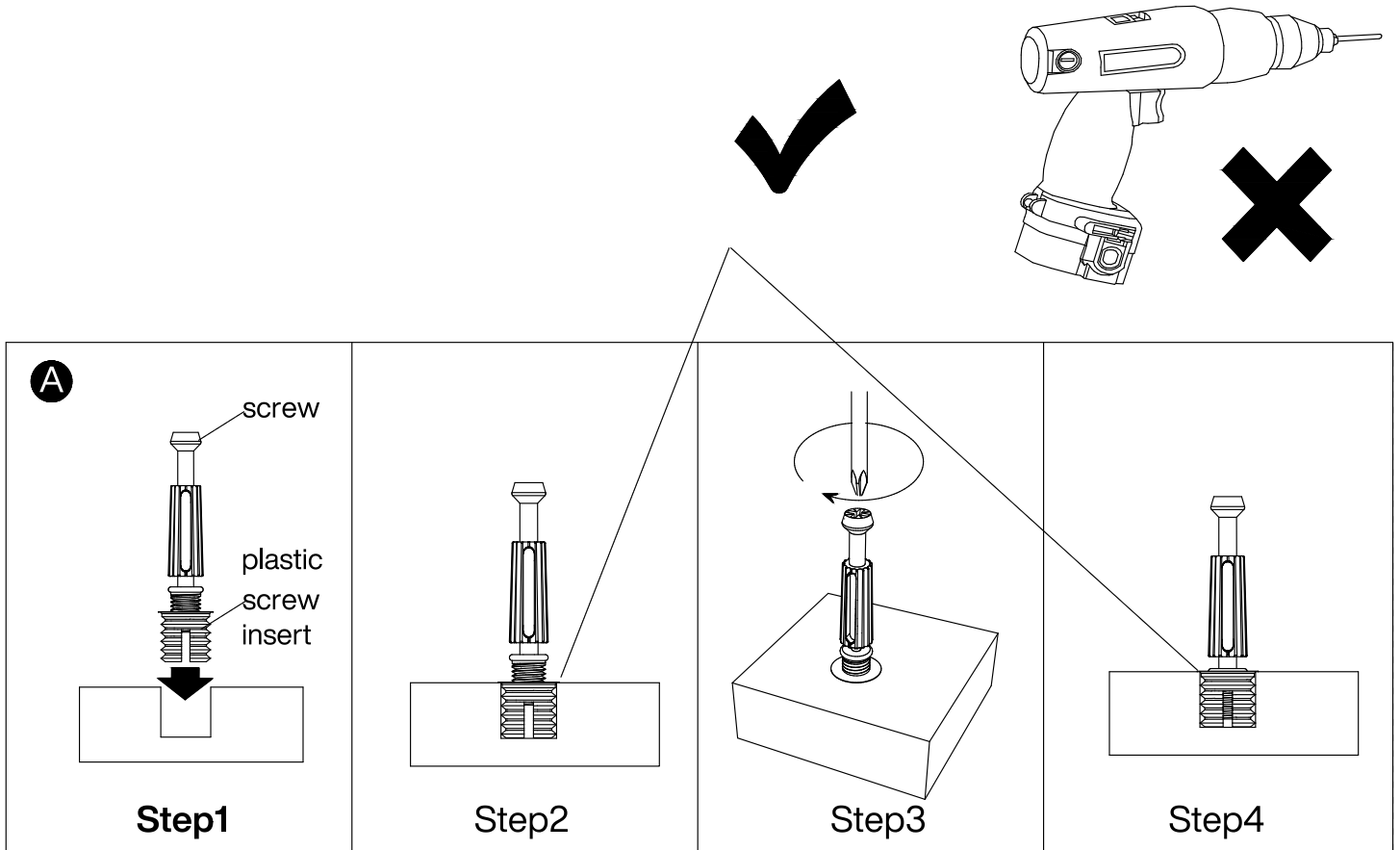
Hardware List

A	B	C	D		E
			D1	D2	
					
M6x35mm	Ø15x12mm	Ø8x30mm		M6	Ø6x95mm
66 pcs	66 pcs	18 pcs	18 pcs	18 pcs	9 pcs

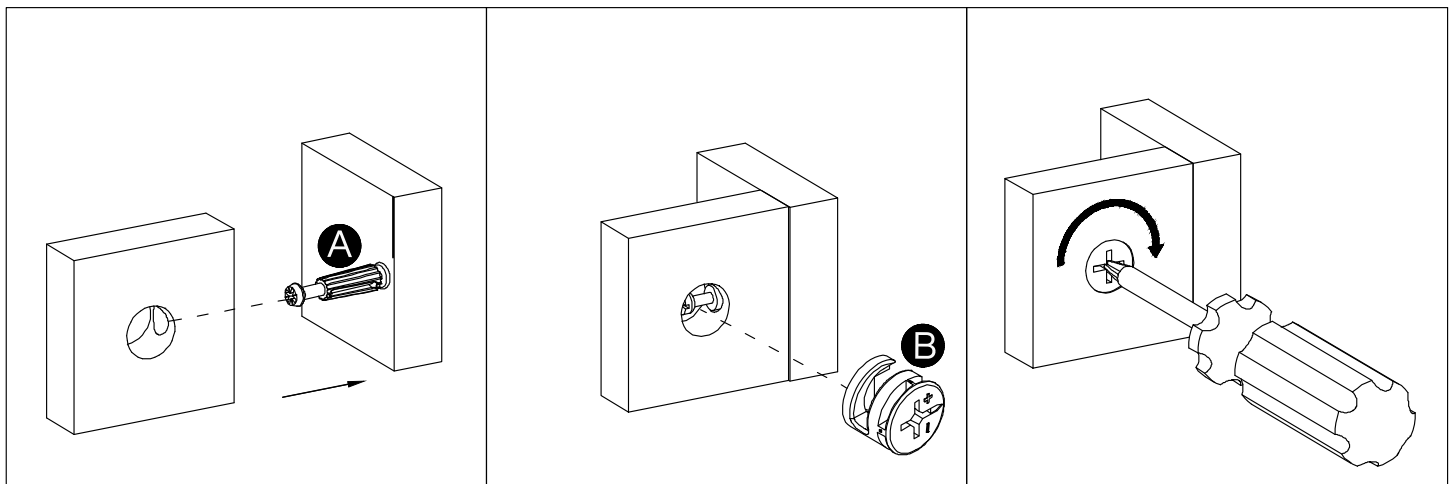
F	G	H			
					
	M6x12mm	M6			
12 pcs	12 pcs	2 pcs	1 pc	1 pc	

Installation of Cams and Pins

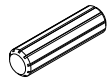

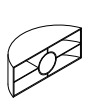
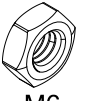
Step 1-2: Align the plastic part with the mounting hole and press it in. If you can't press it in, loosen the screw counter clockwise or completely remove the screw from the plastic part and try again.
Step 3-4: After pressing the plastic part into place, use a screwdriver to tighten the screw clockwise.

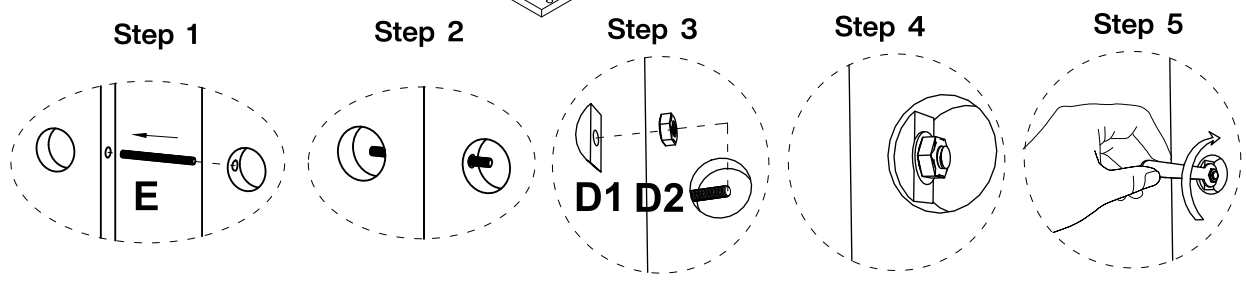
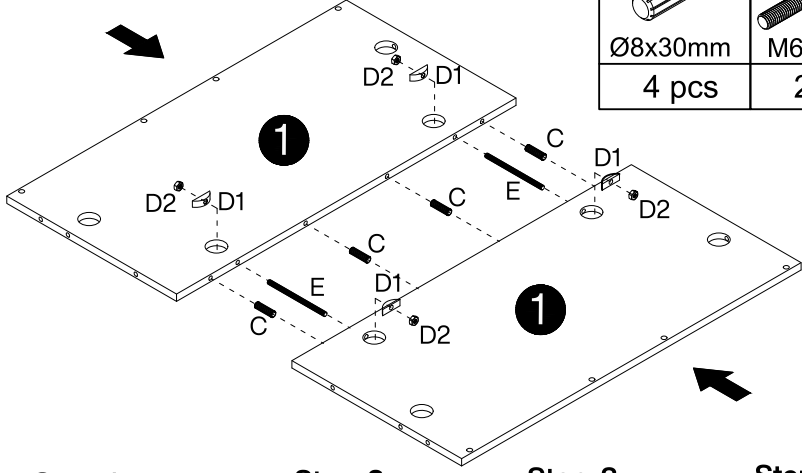


Screw the pin into the hole. Set the cams correctly by aligning the head of the cams with the lock pins. Lock the cam by turning the cam head with a screwdriver until it is tightened. Please do not use an electric screwdriver to assemble the unit.

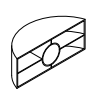
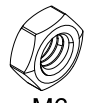


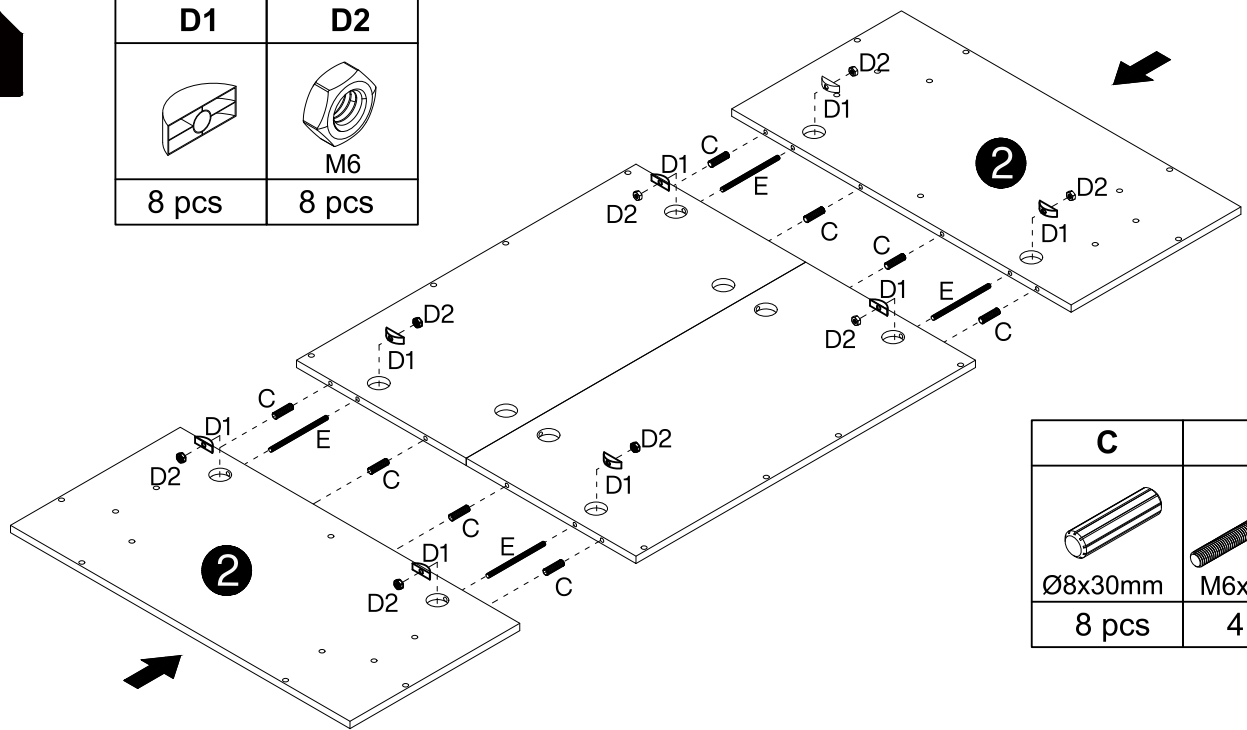
1

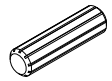

C	E	D1	D2
			
Ø8x30mm	M6x95mm		M6
4 pcs	2 pcs	4 pcs	4 pcs

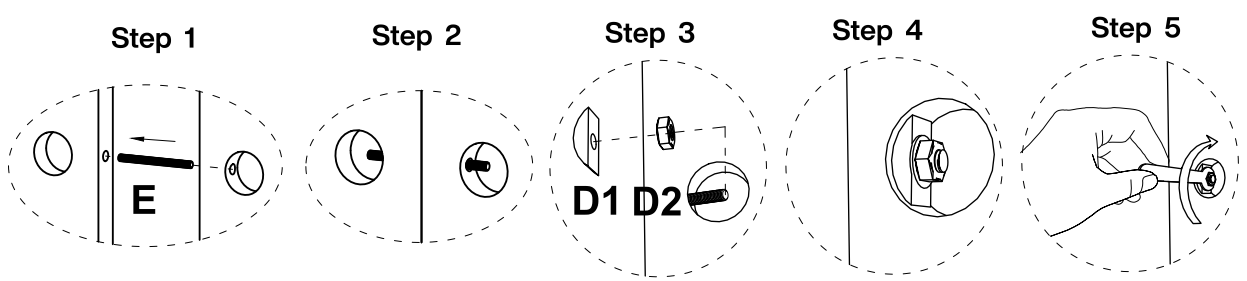


2

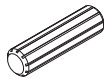

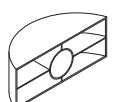
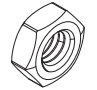
D1	D2
	
	M6
8 pcs	8 pcs

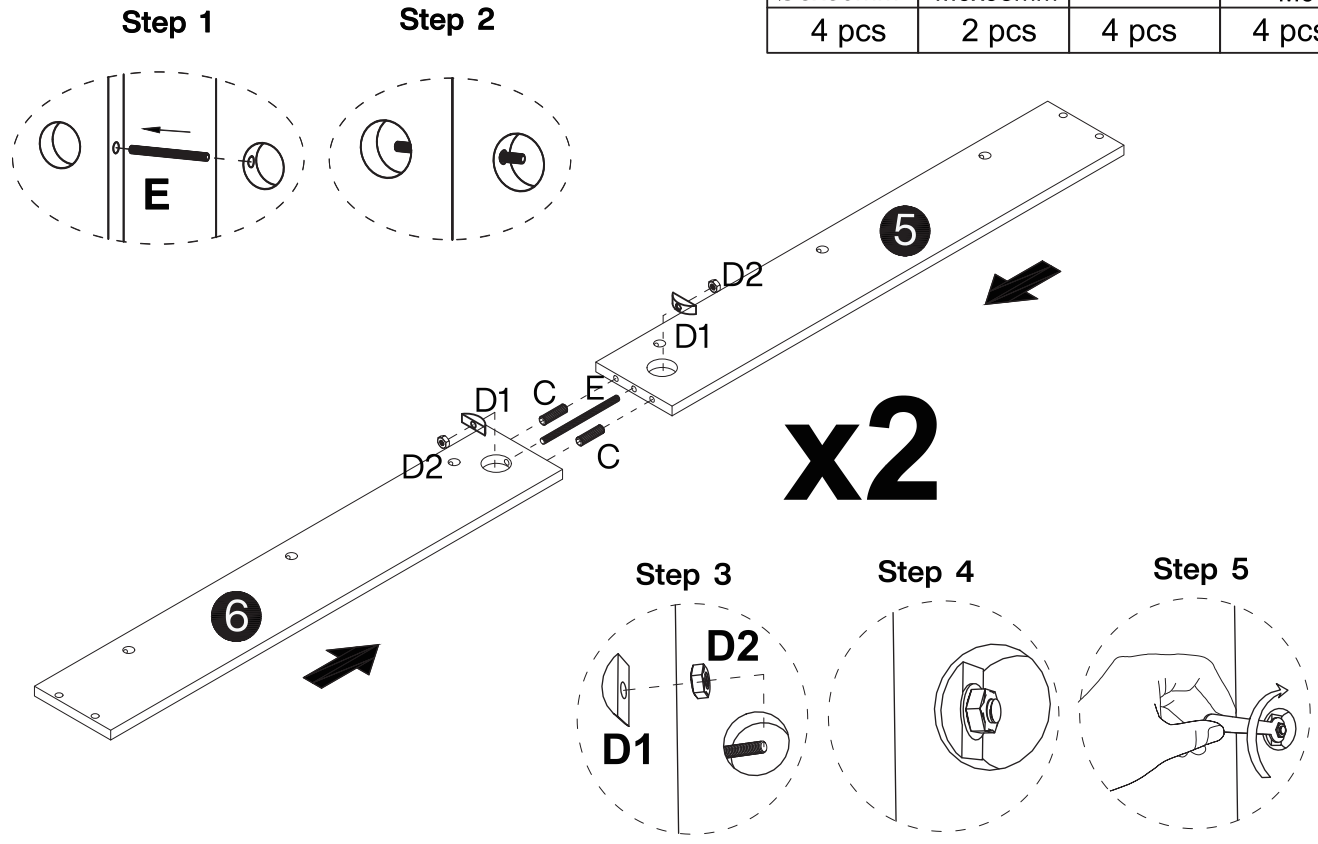


C	E
	
Ø8x30mm	M6x95mm
8 pcs	4 pcs




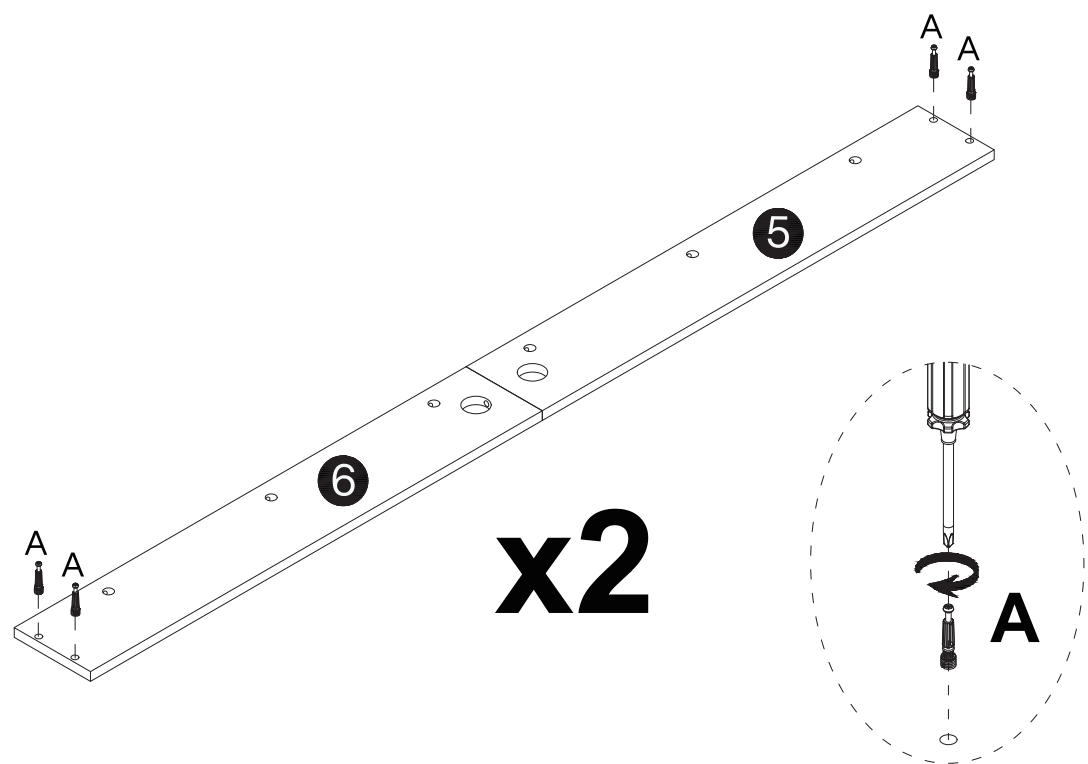
3

C	E	D1	D2
			
Ø8x30mm	M6x95mm		M6
4 pcs	2 pcs	4 pcs	4 pcs

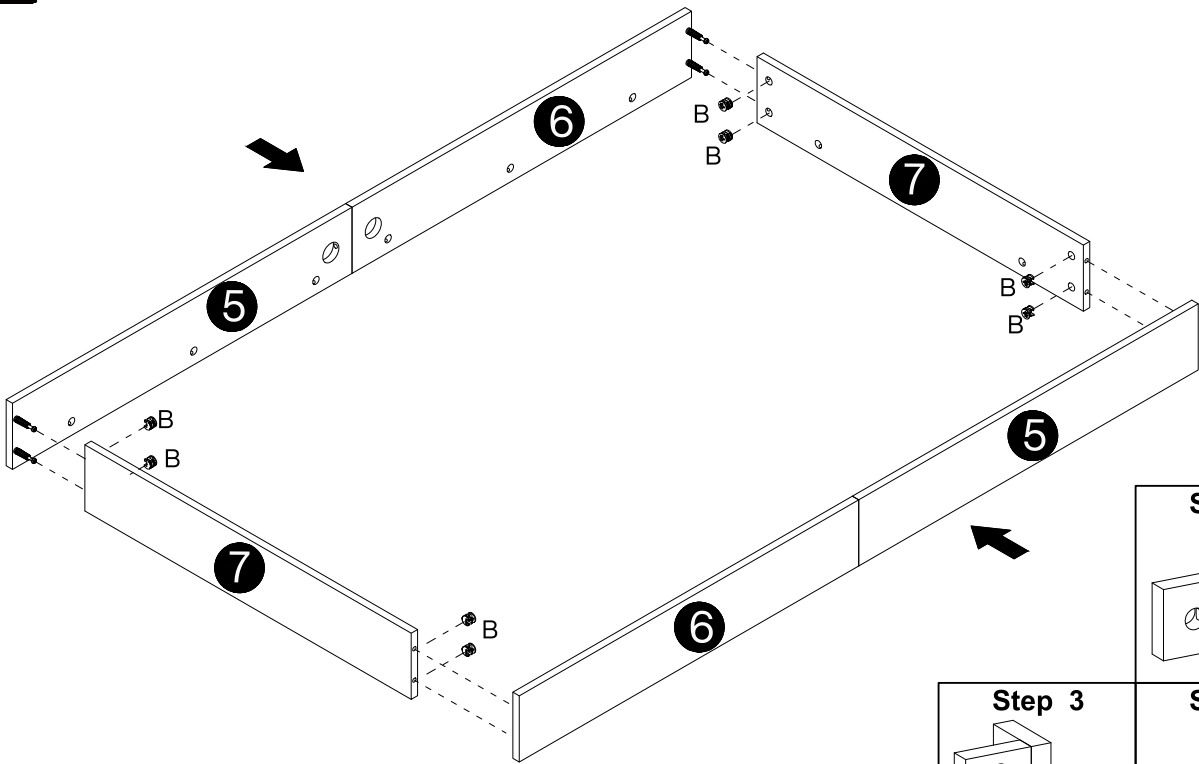



4

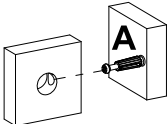
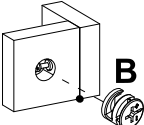
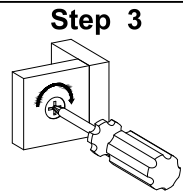
A

M6x35mm
8 pcs



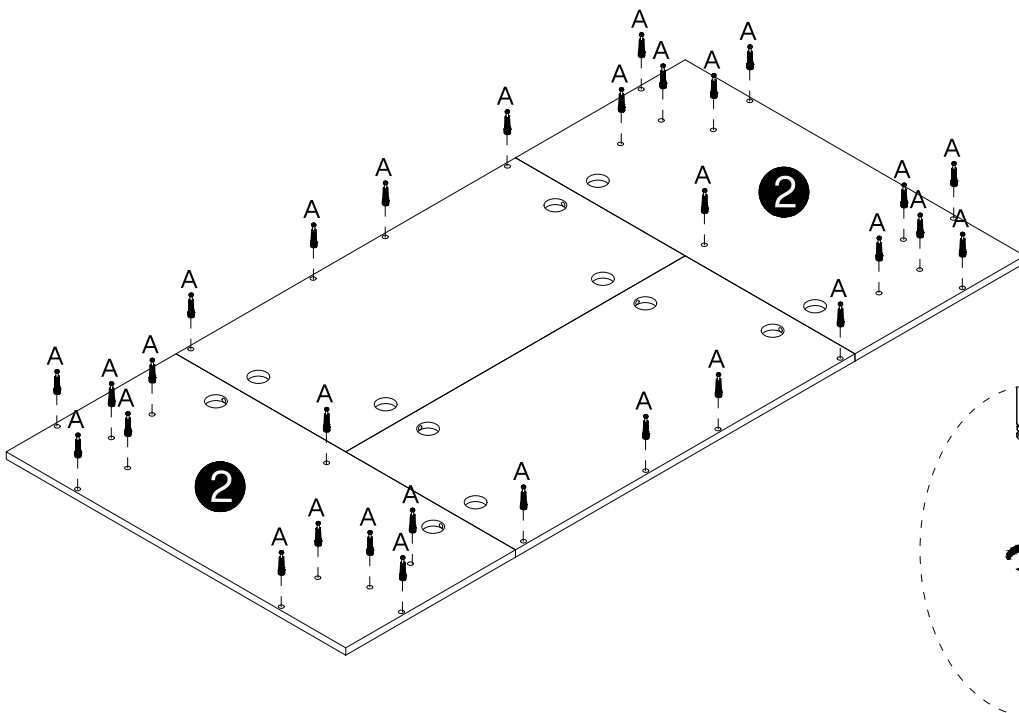
5

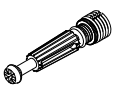


B

8 pcs

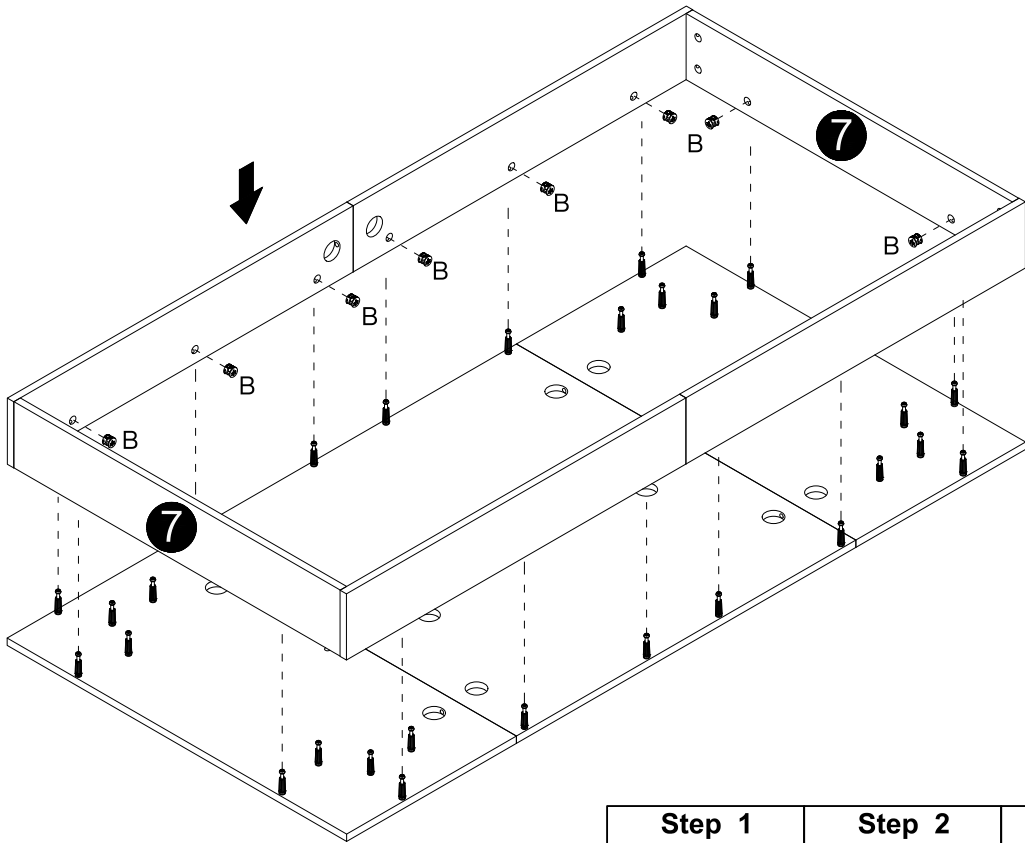
Step 1 
Step 2 
Step 3 


6

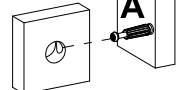
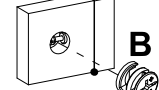
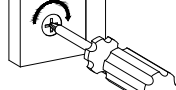


A

M6x35mm
30 pcs

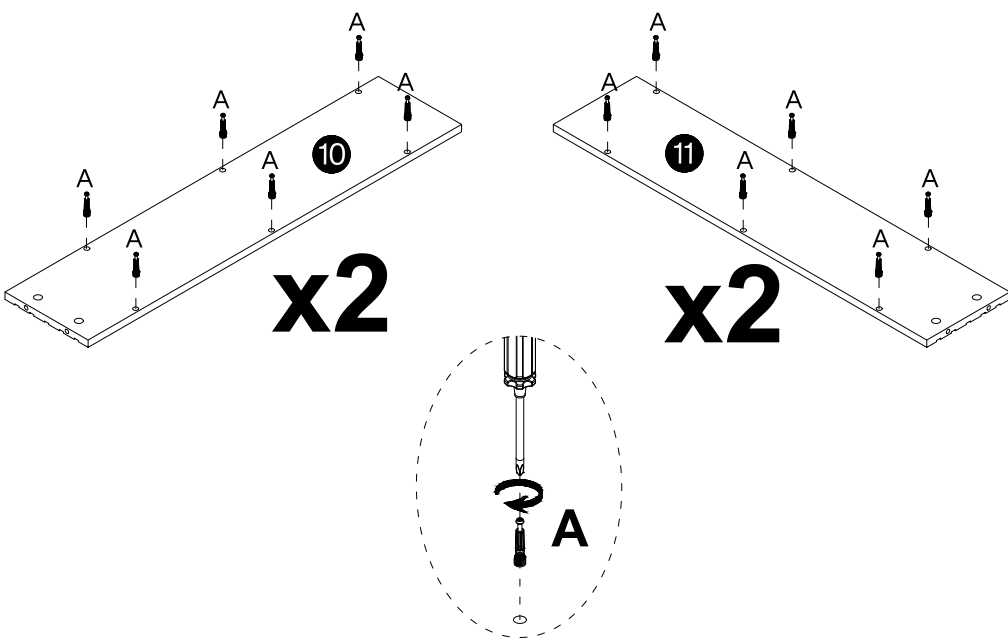
7




B

16 pcs

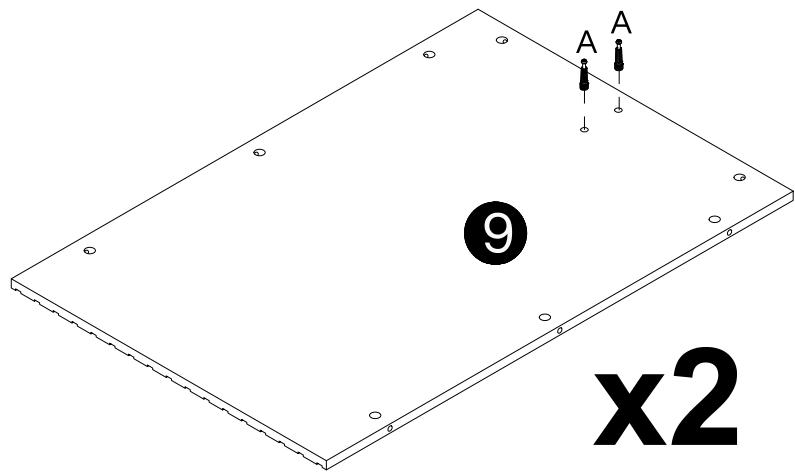
Step 1 	Step 2 	Step 3 
--	--	--

8

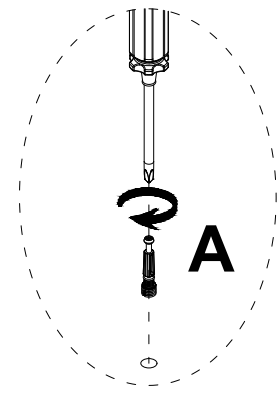



A

M6x35mm
24 pcs

9

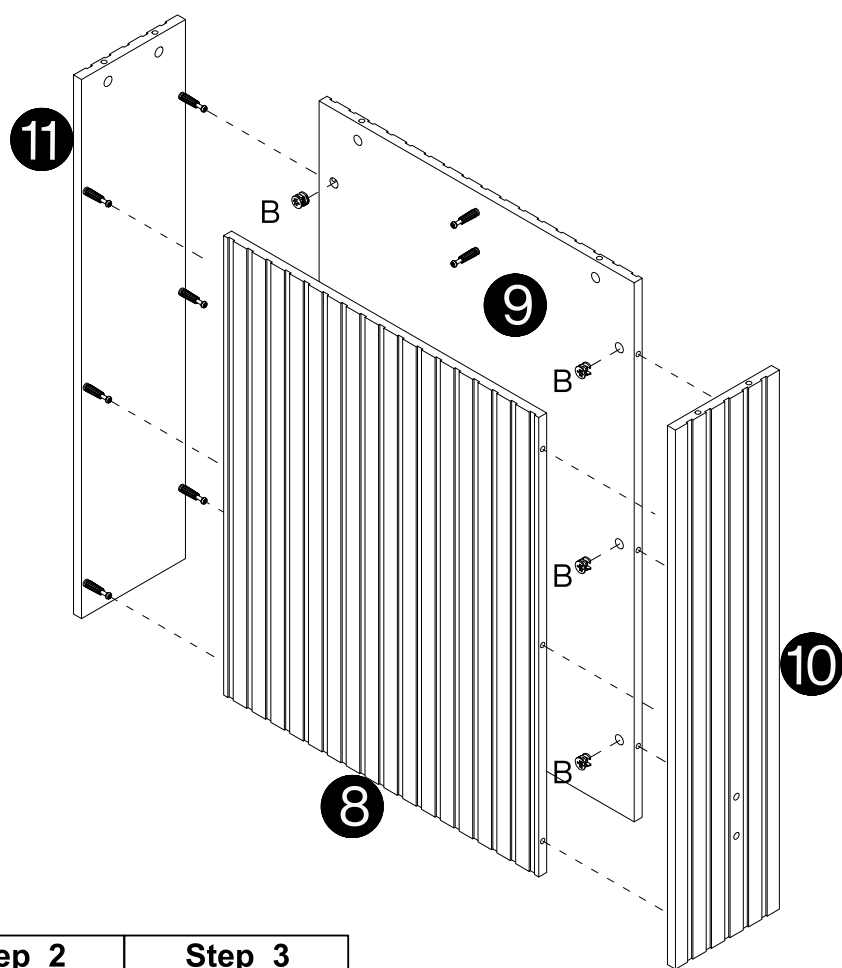


x2

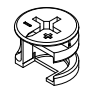


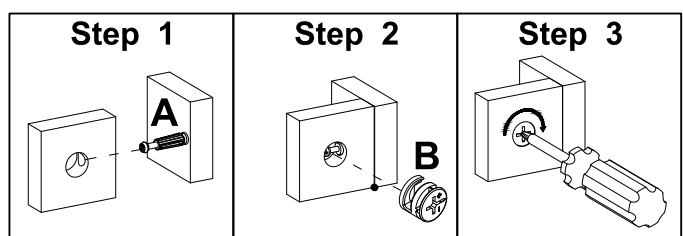
A

M6x35mm
4 pcs

10

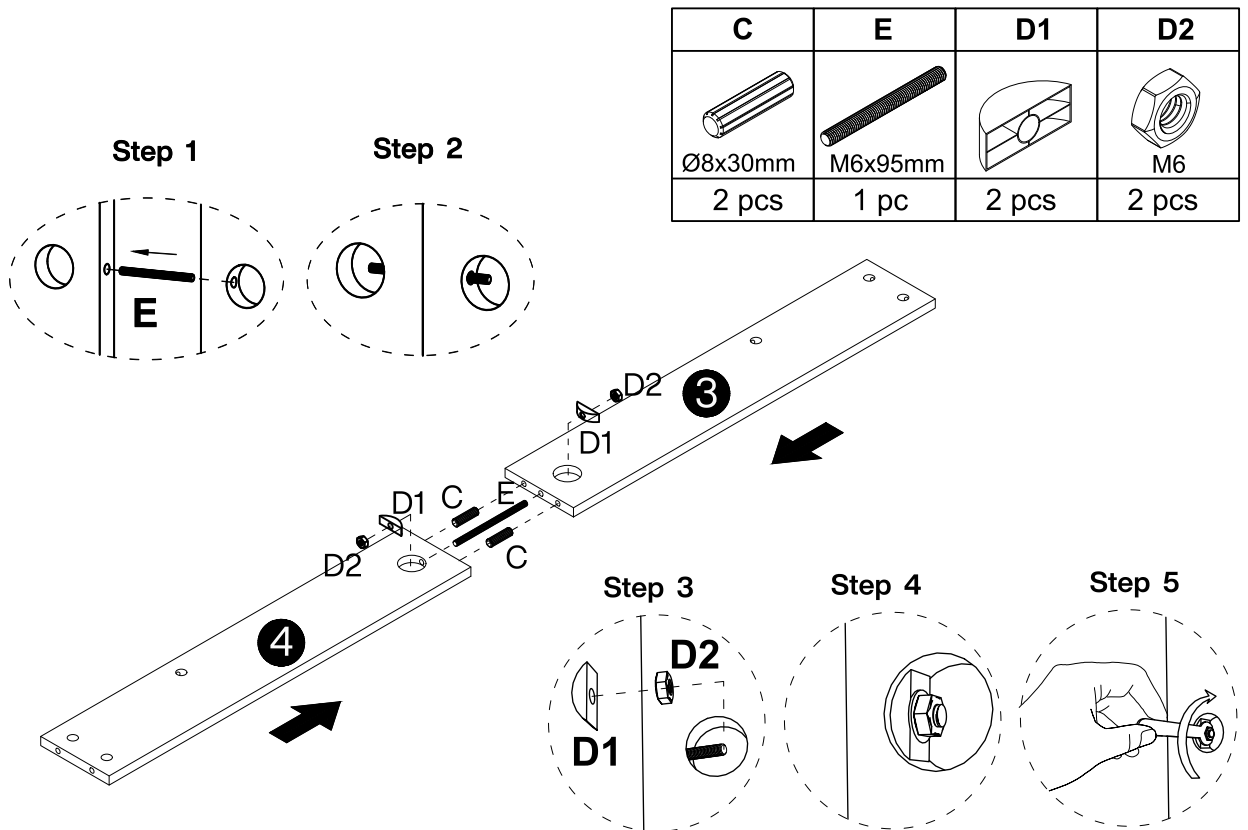


x2

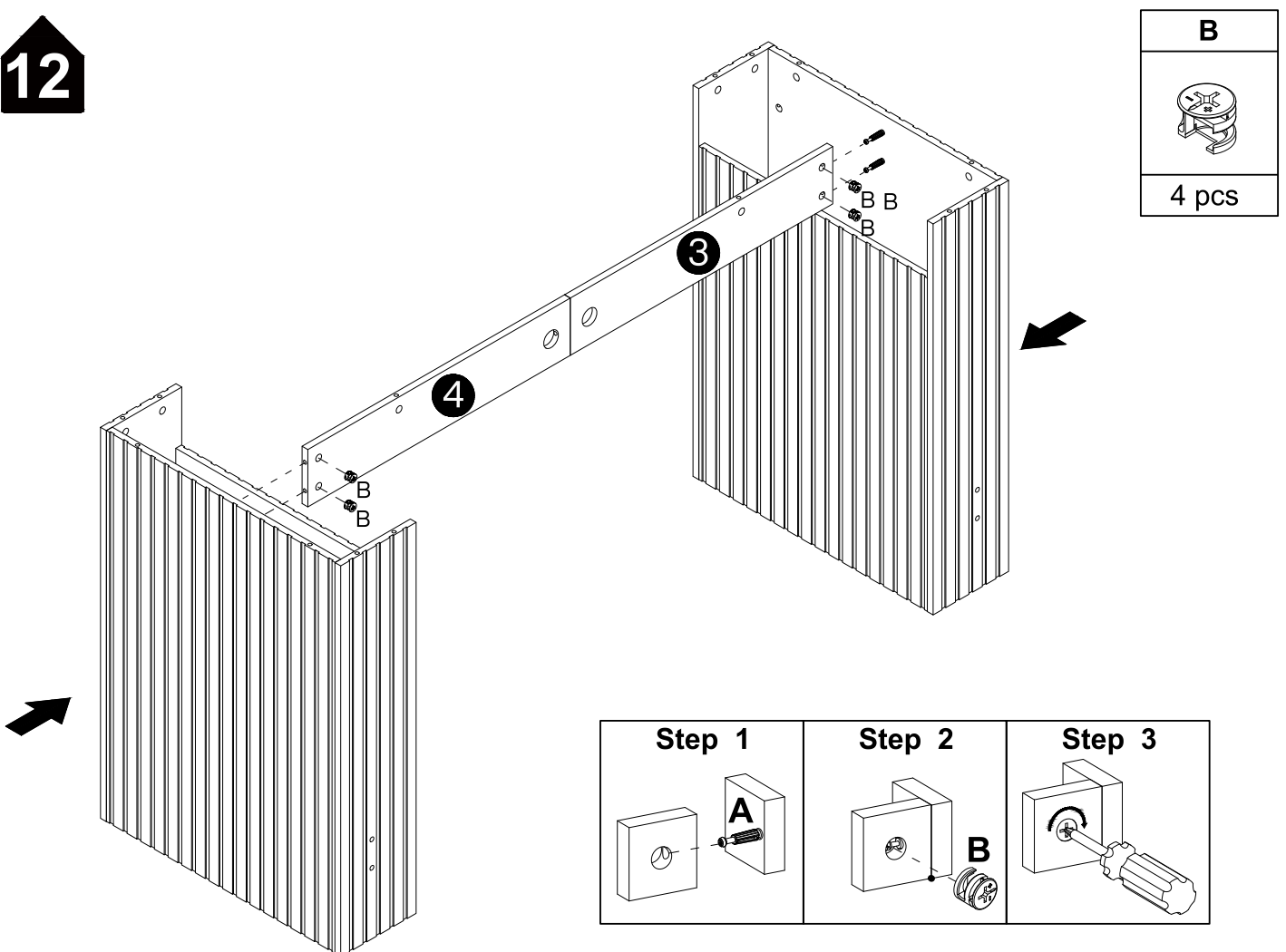
B

24 pcs



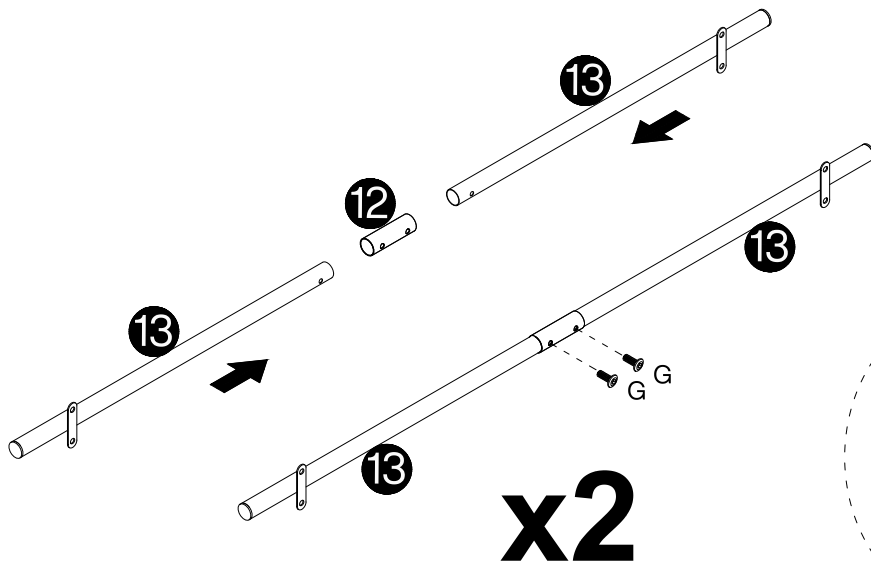
11




12

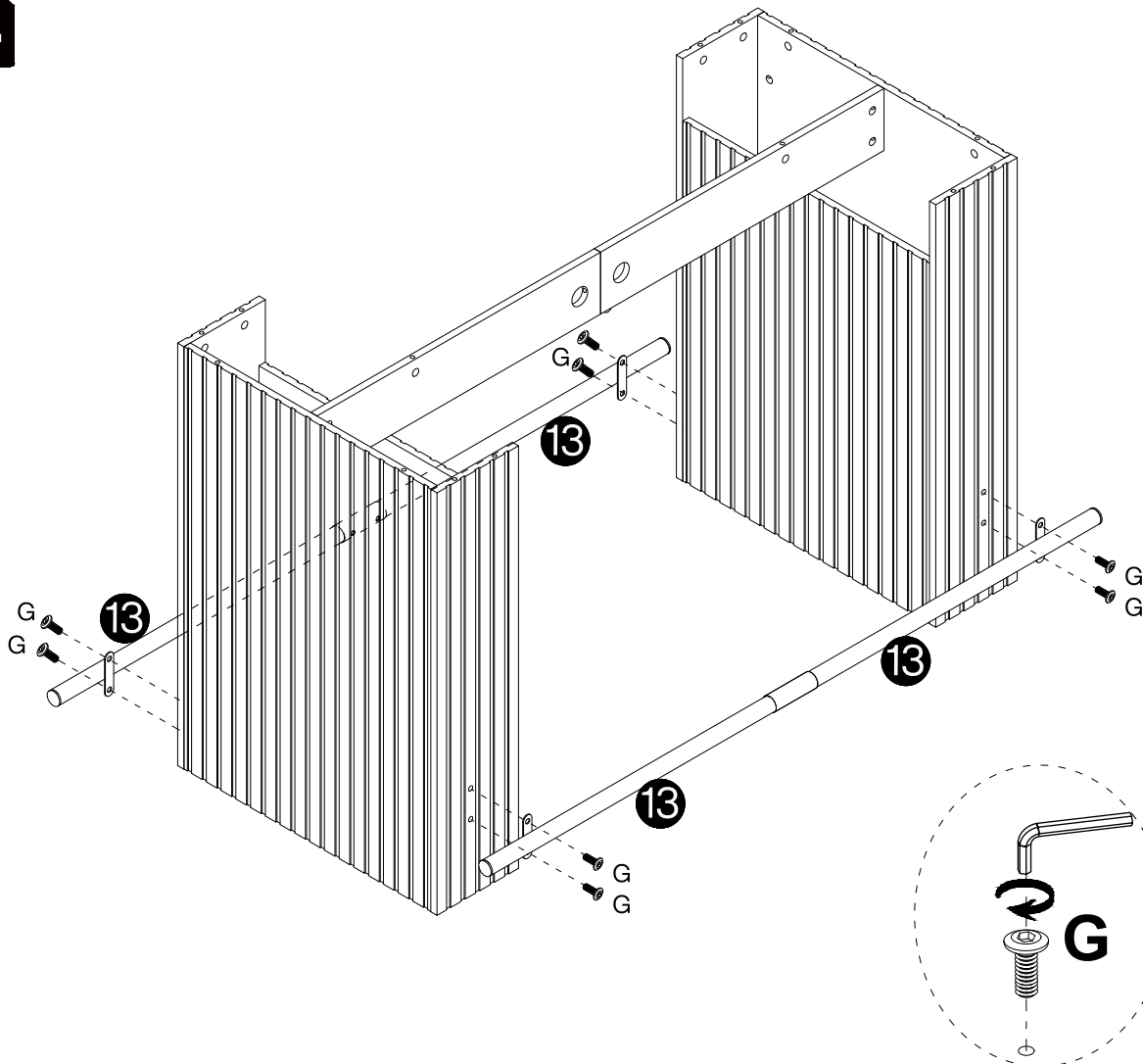



13



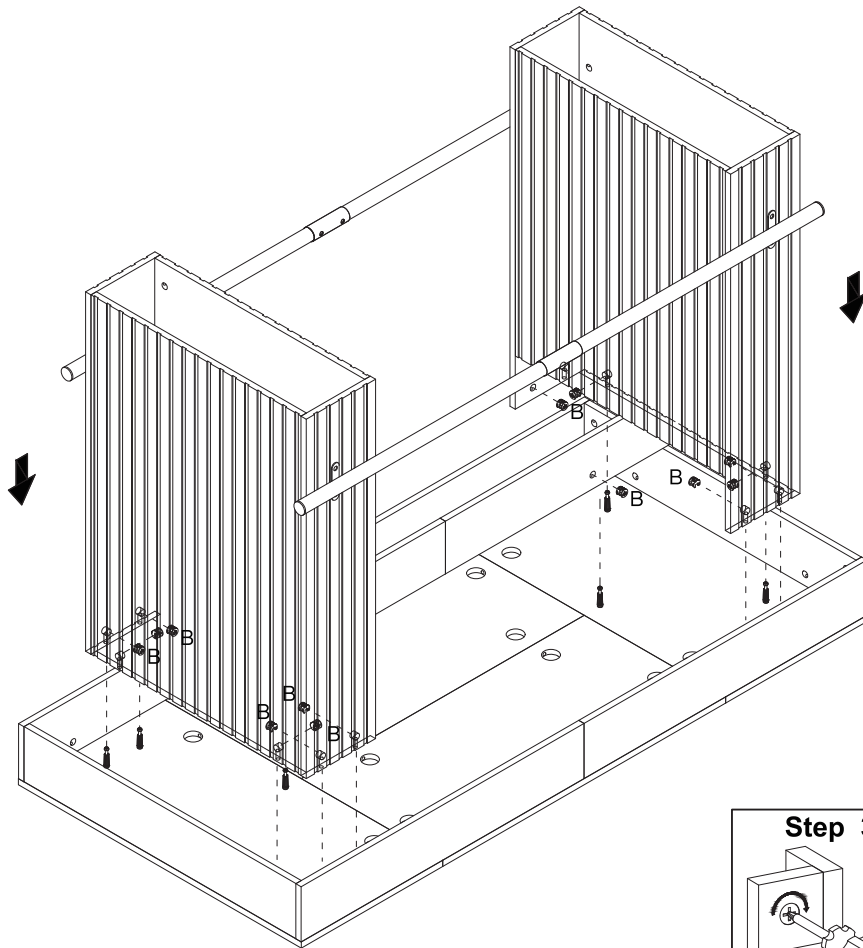
G

M6x12mm
4 pcs

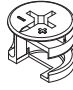
14

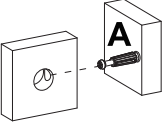
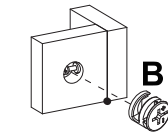
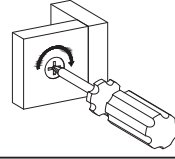


G

M6x12mm
8 pcs

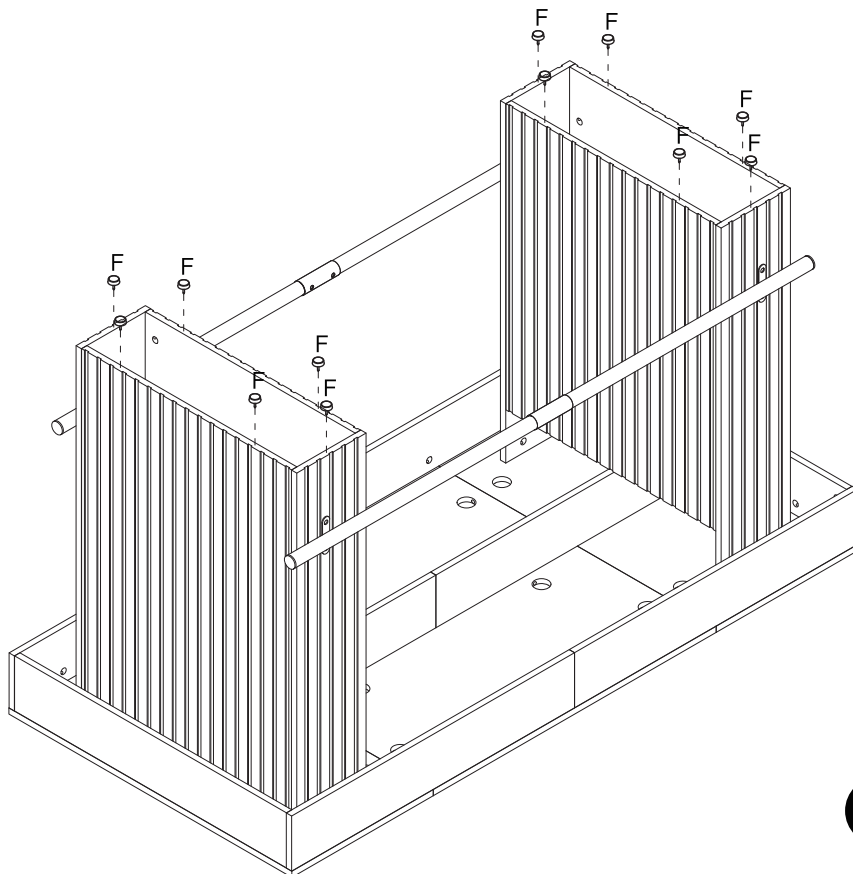
15




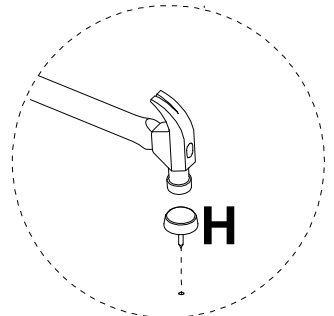
B

14 pcs

Step 1 
Step 2 
Step 3 

16



F

12 pcs



⚠ Caution! Tap lightly

Thank you for your support !

