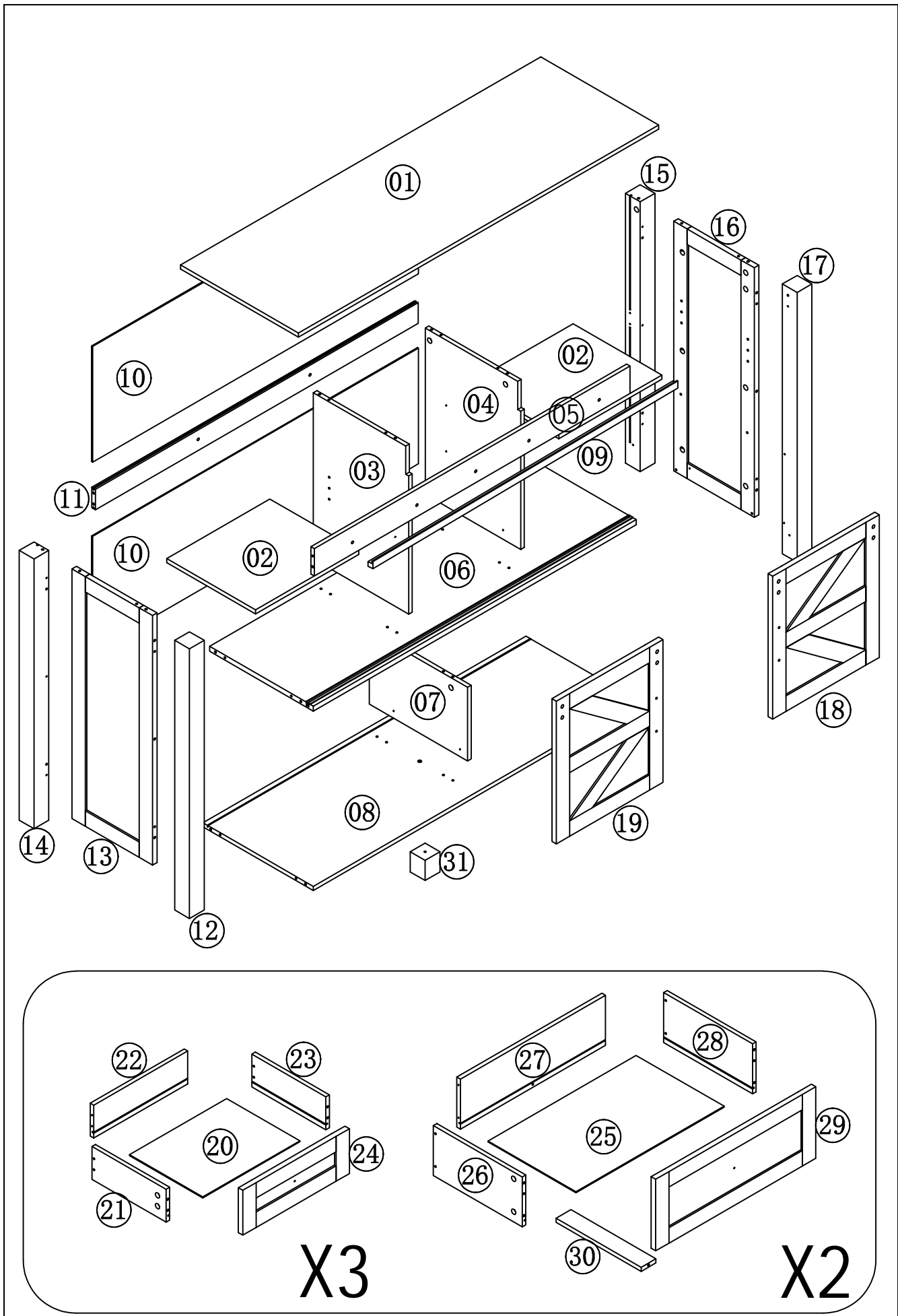
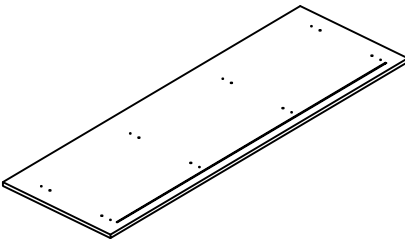
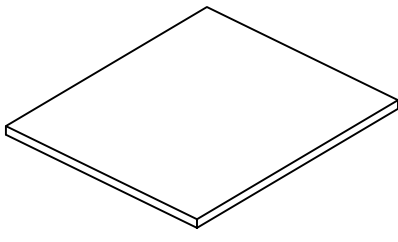
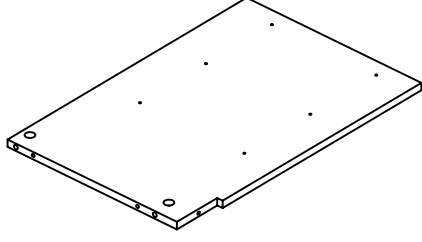
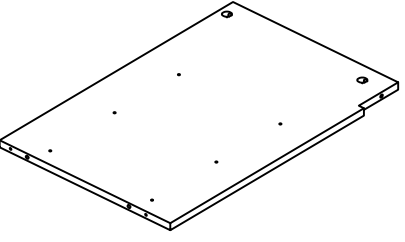
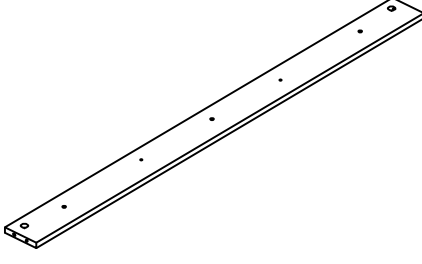
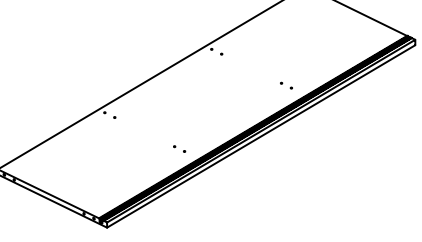
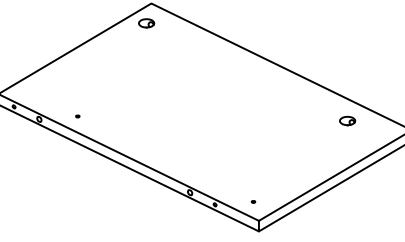
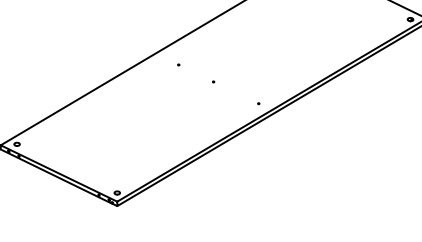
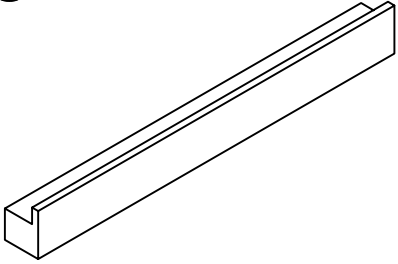
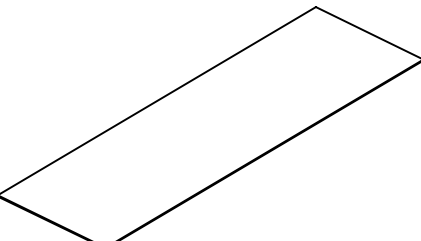
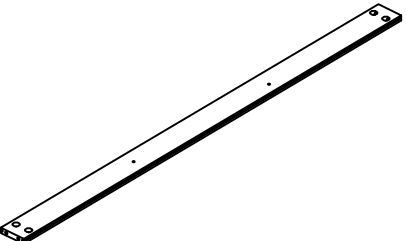
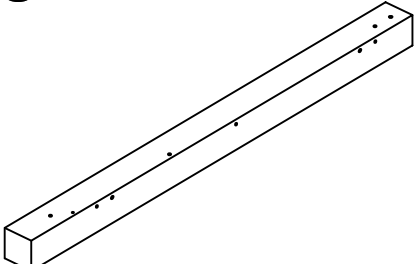
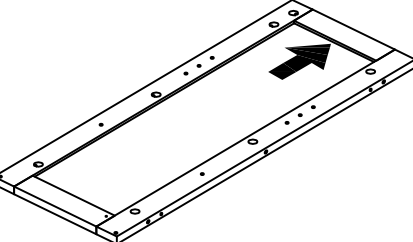
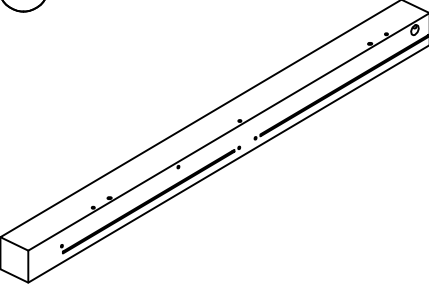
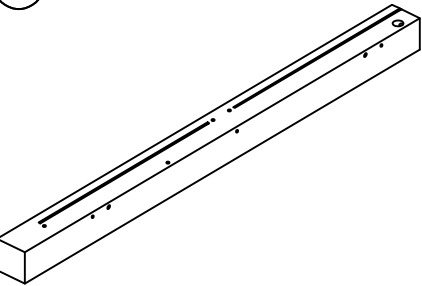
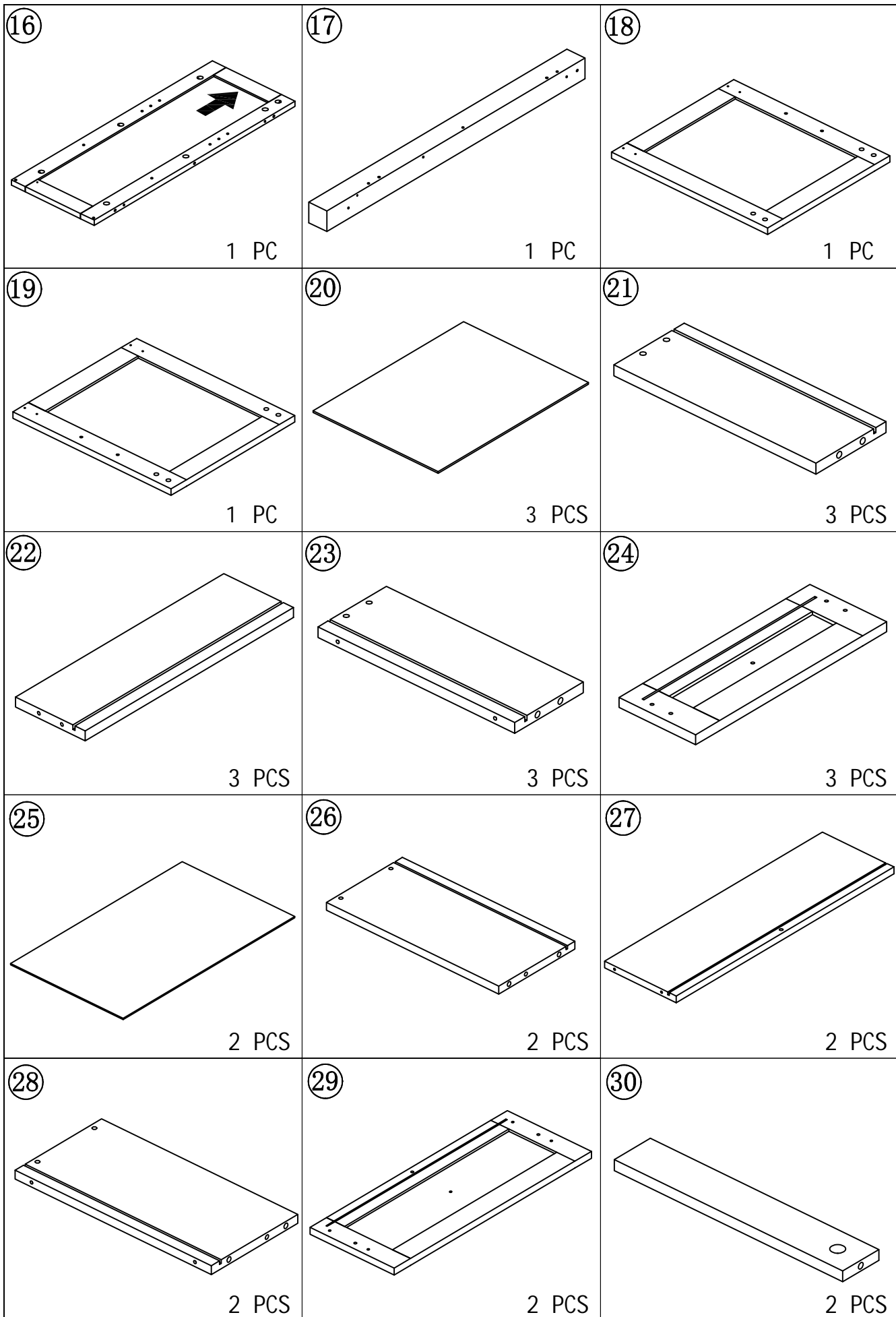


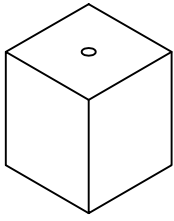
storage cabinet



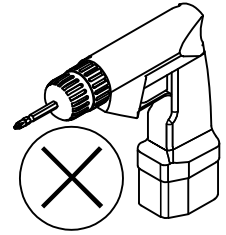
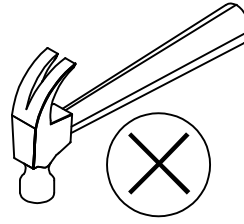
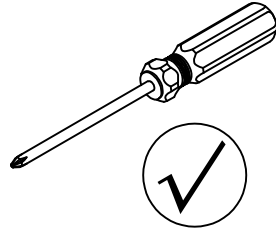
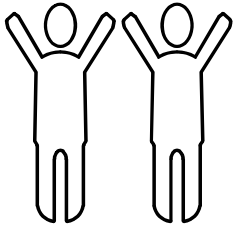
<p>①</p>  <p>1 PC</p>	<p>②</p>  <p>2 PCS</p>	<p>③</p>  <p>1 PC</p>
<p>④</p>  <p>1 PC</p>	<p>⑤</p>  <p>1 PC</p>	<p>⑥</p>  <p>1 PC</p>
<p>⑦</p>  <p>1 PC</p>	<p>⑧</p>  <p>1 PC</p>	<p>⑨</p>  <p>1084*20*16 1 PC</p>
<p>⑩</p>  <p>2 PCS</p>	<p>⑪</p>  <p>1 PC</p>	<p>⑫</p>  <p>1 PC</p>
<p>⑬</p>  <p>1 PC</p>	<p>⑭</p>  <p>1 PC</p>	<p>⑮</p>  <p>1 PC</p>

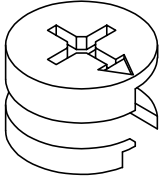
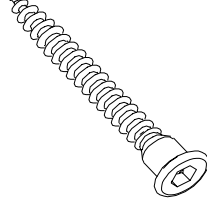
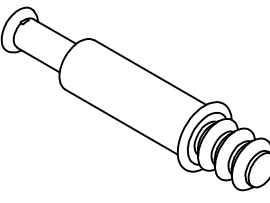
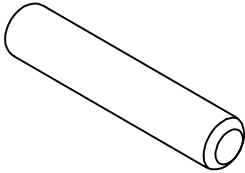

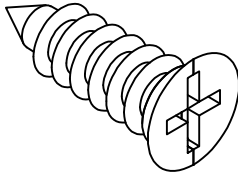
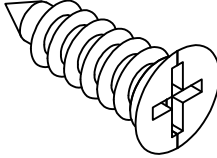
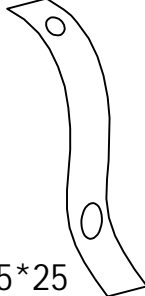
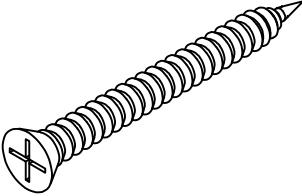
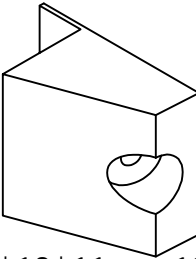
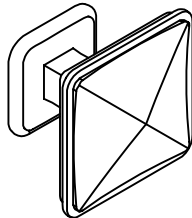
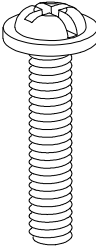
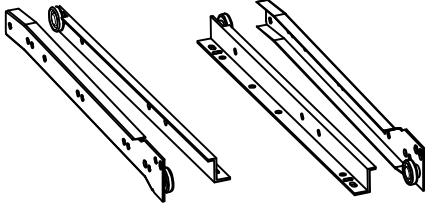
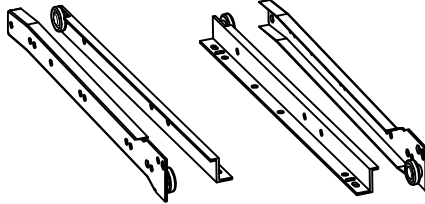
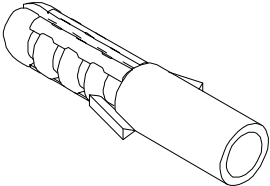
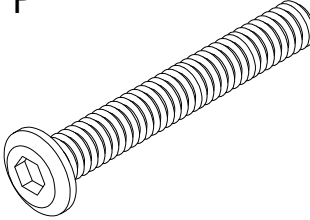
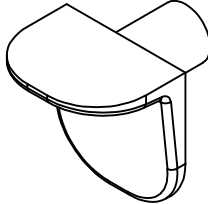
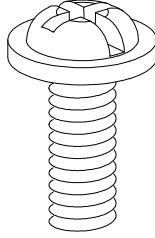


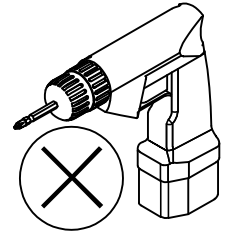
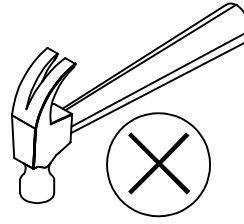
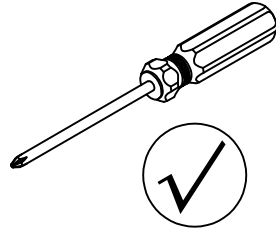
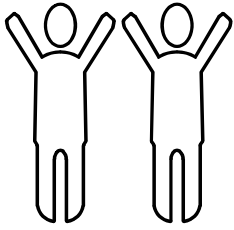
31

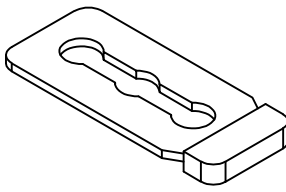
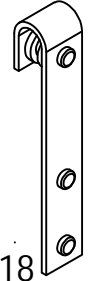
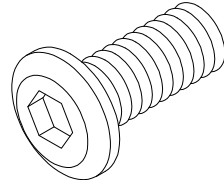
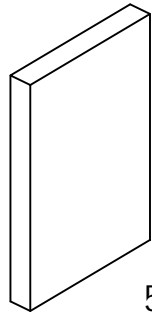
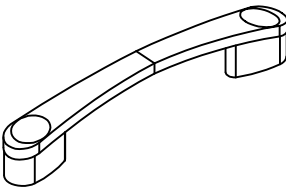
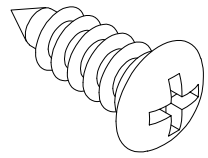


1 PC

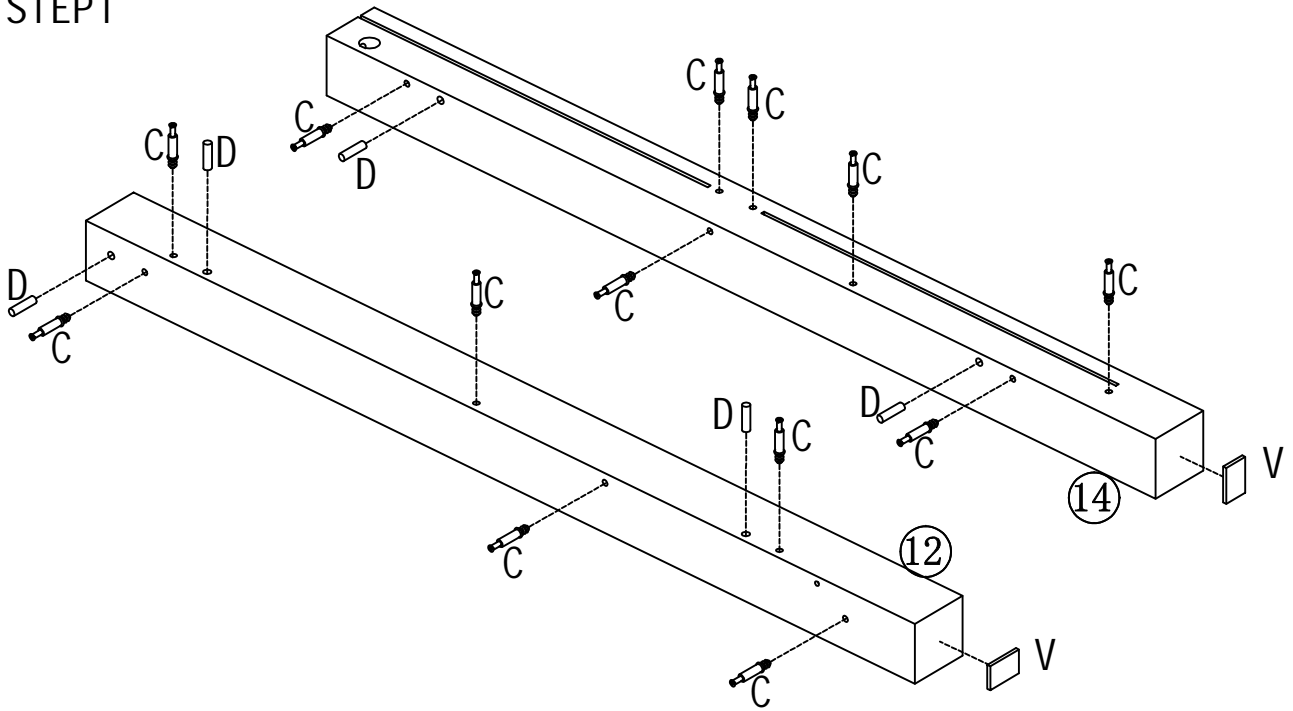


<p>A</p>  <p>∅15*10mm 58PCS</p>	<p>B</p>  <p>M5*45mm 33PCS</p>	<p>C</p>  <p>∅6*35mm 58PCS</p>	<p>D</p>  <p>∅6*30mm 38PCS</p>
<p>E</p>  <p>4mm 1PC</p>	<p>F</p>  <p>M3*12mm 41PCS</p>	<p>G</p>  <p>M3*16mm 12PCS</p>	<p>H</p>  <p>205*25 1PC</p>
<p>I</p>  <p>M4*35mm 1PC</p>	<p>J</p>  <p>13*13*11mm 12PCS</p>	<p>K</p>  <p>30*30*24 5PCS</p>	<p>L</p>  <p>4*18MM 4PCS</p>
<p>M</p>  <p>10i nch CL DL DR CR 3PCS</p>		<p>N</p>  <p>12i nch CL DL DR CR 2PCS</p>	
<p>O</p>  <p>8*38 1PC</p>	<p>P</p>  <p>M6*24 3PCS</p>	<p>Q</p>  <p>8PCS</p>	<p>R</p>  <p>4*10MM 5PCS</p>

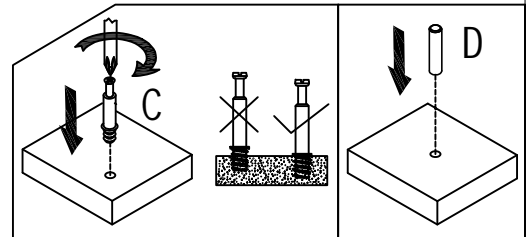


<p>S</p>  <p>62*26*4 4PCS</p>	<p>T</p>  <p>17*20*18 4PCS</p>	<p>U</p>  <p>M6*12 8PCS</p>	<p>V</p>  <p>5PCS</p>
<p>W</p>  <p>2PCS</p>	<p>X</p>  <p>M3.5*12mm 8PCS</p>		

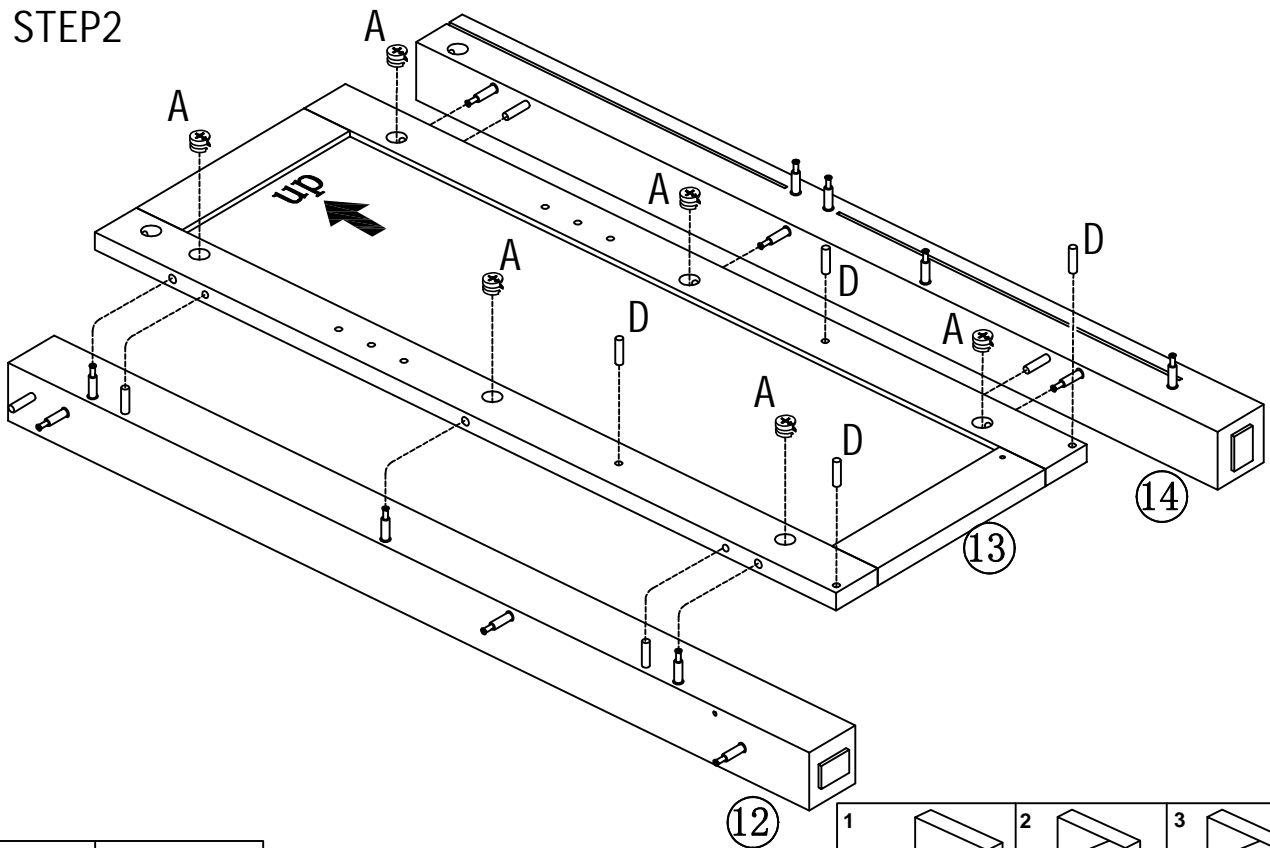
STEP1



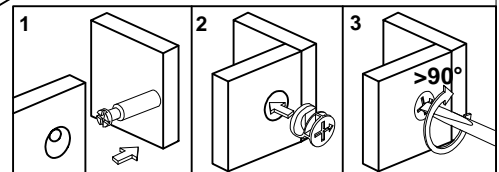
	V*2PCS
	D*5PCS
	C*13PCS



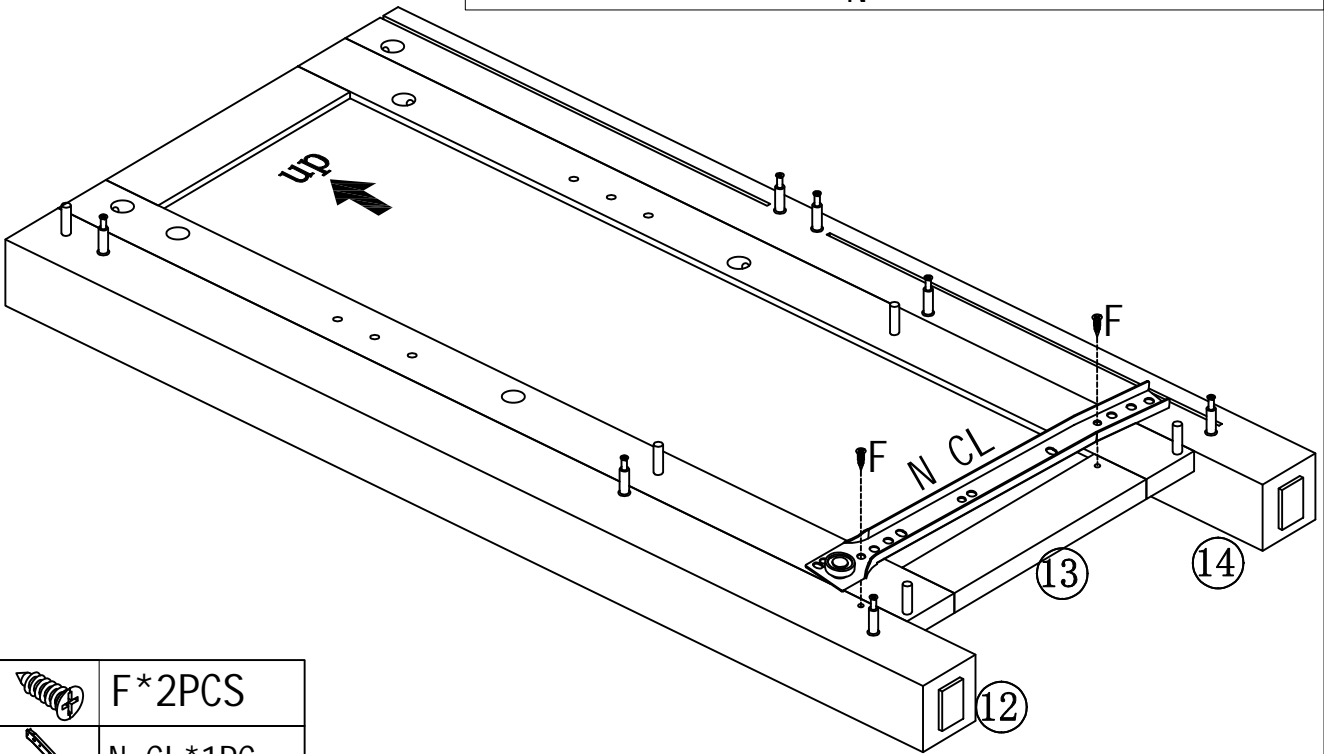
STEP2





	D*4PCS
	A*6PCS

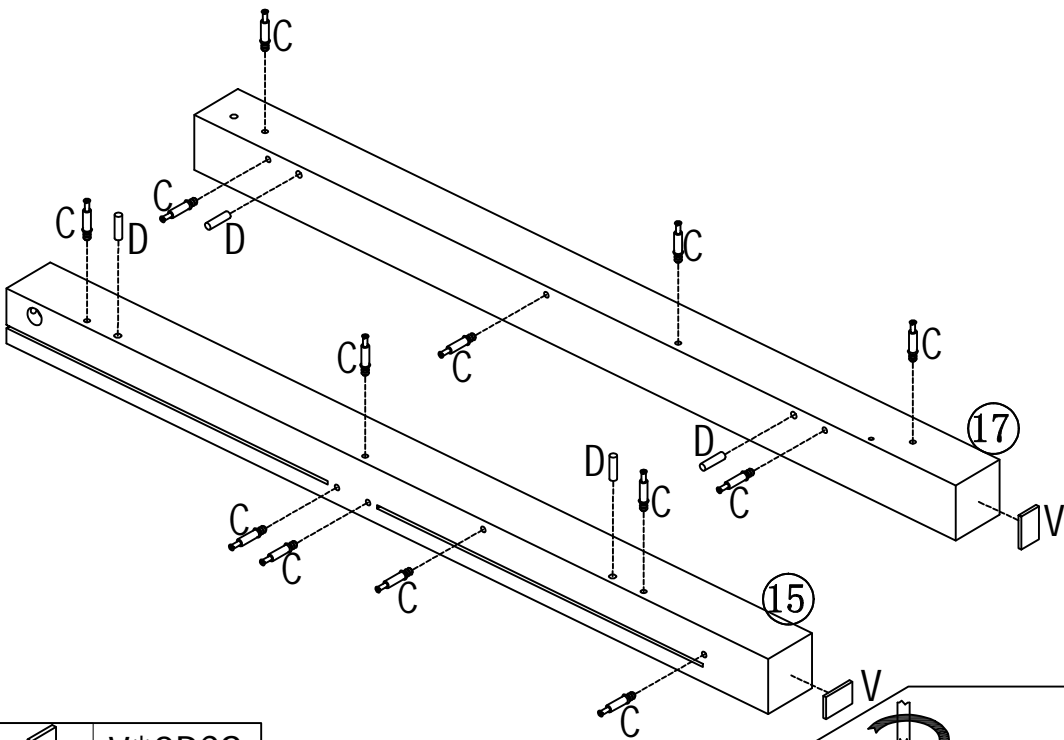


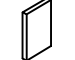


STEP3

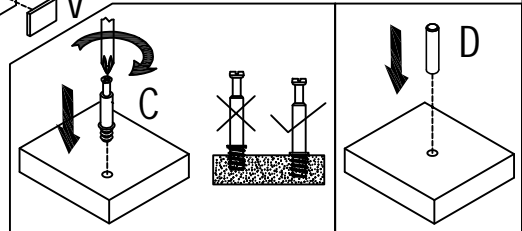


	F*2PCS
	N CL*1PC

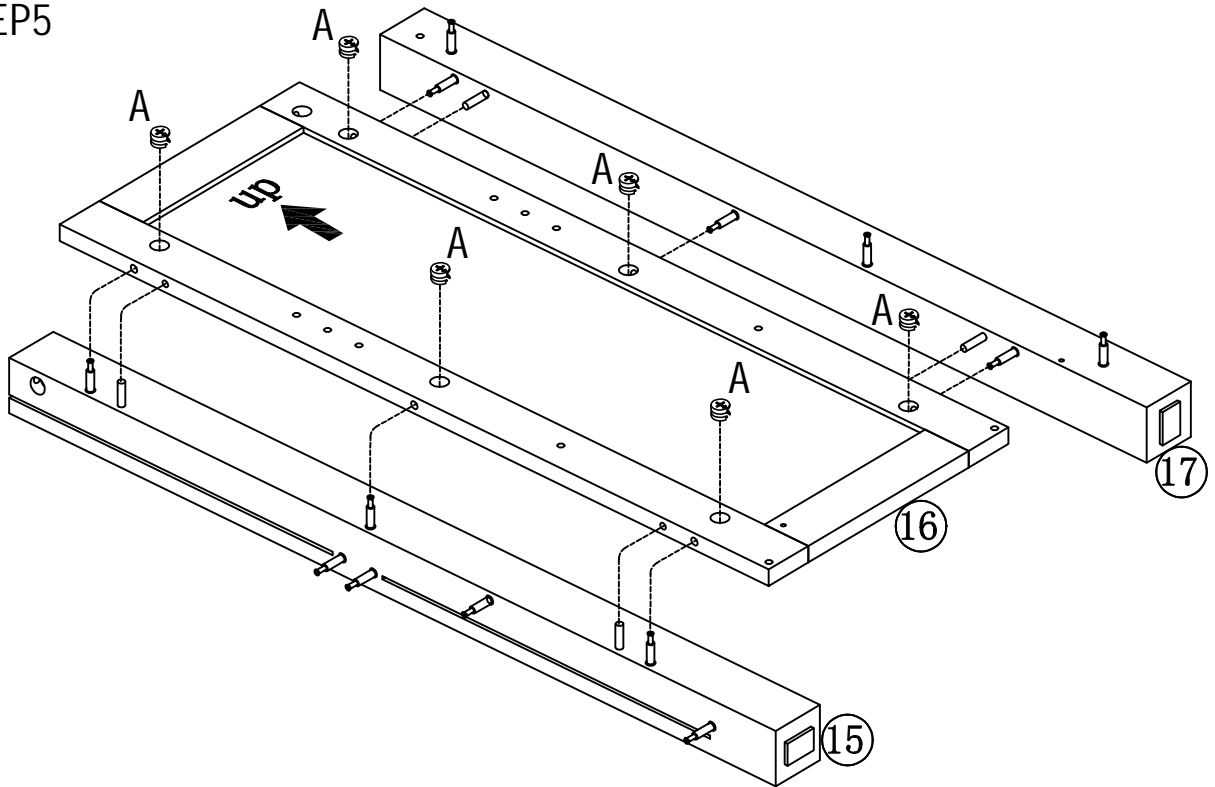
STEP4



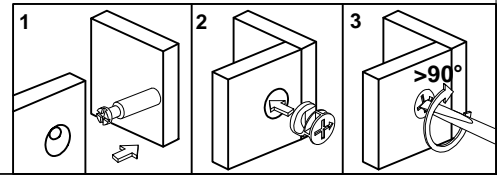
	V*2PCS
	D*4PCS
	C*13PCS



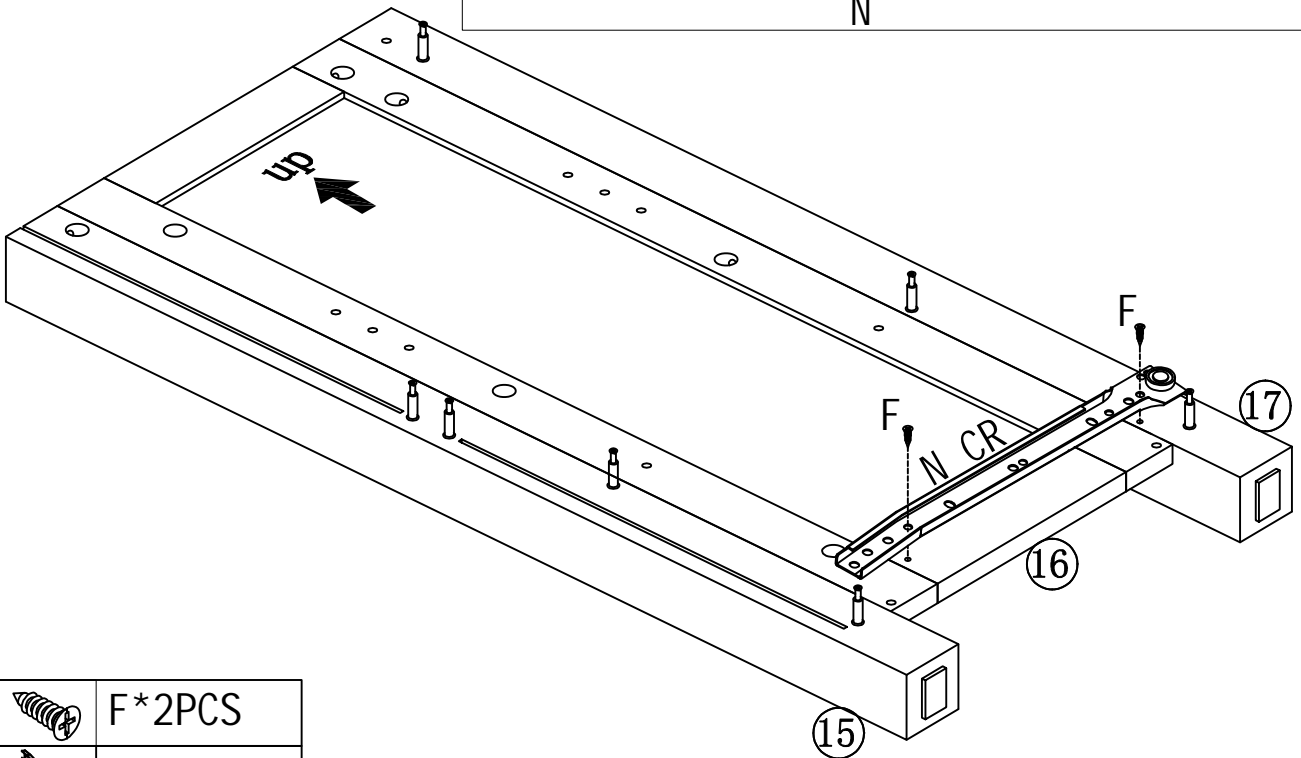
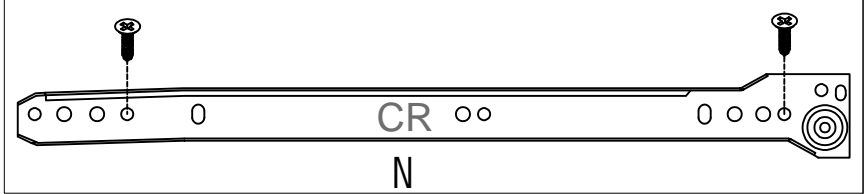
STEP5



A*6PCS



STEP6

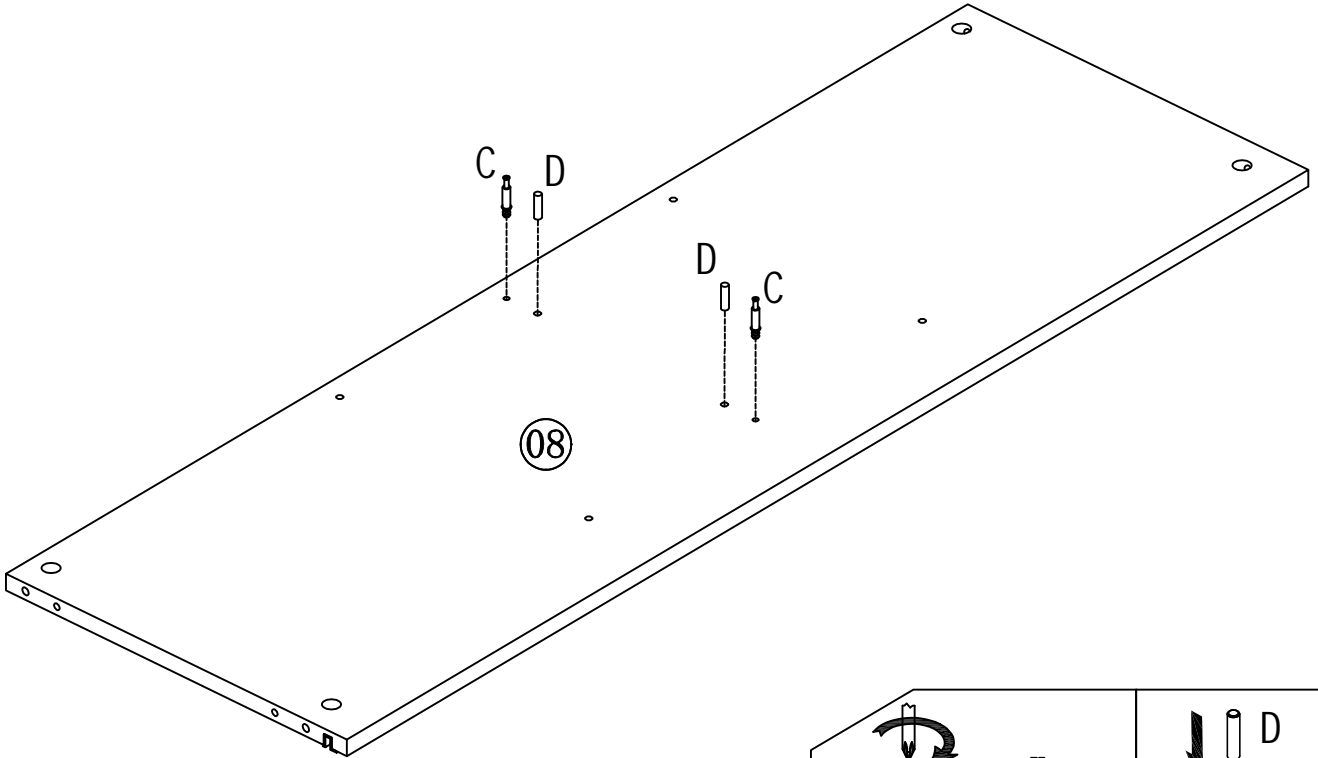


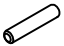

F*2PCS

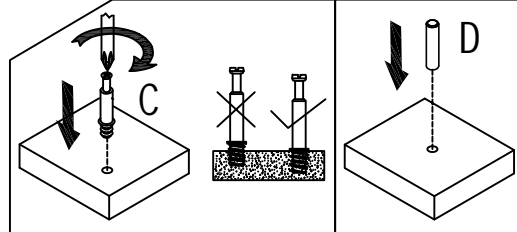


N CR*1PC

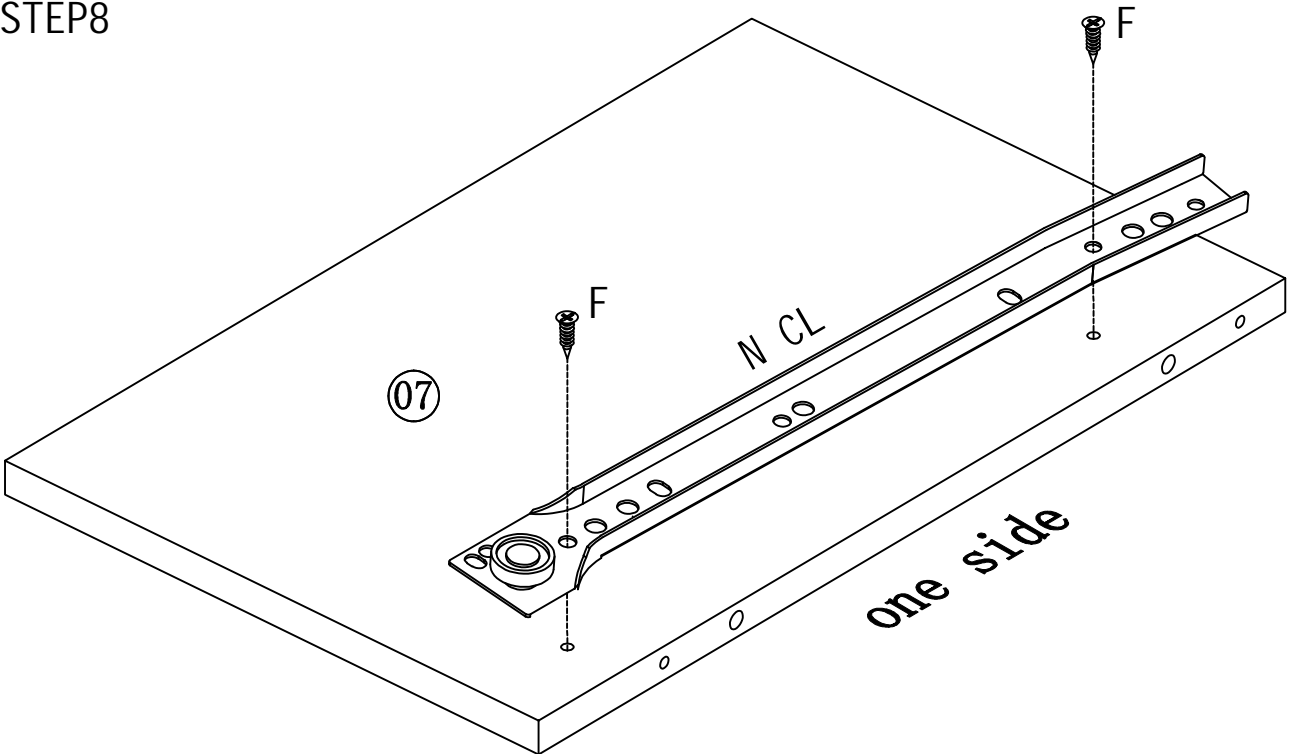
STEP7





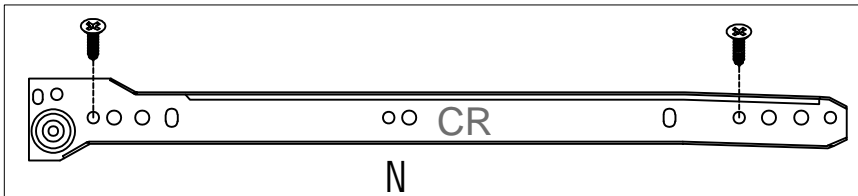
	D*2PCS
	C*2PCS



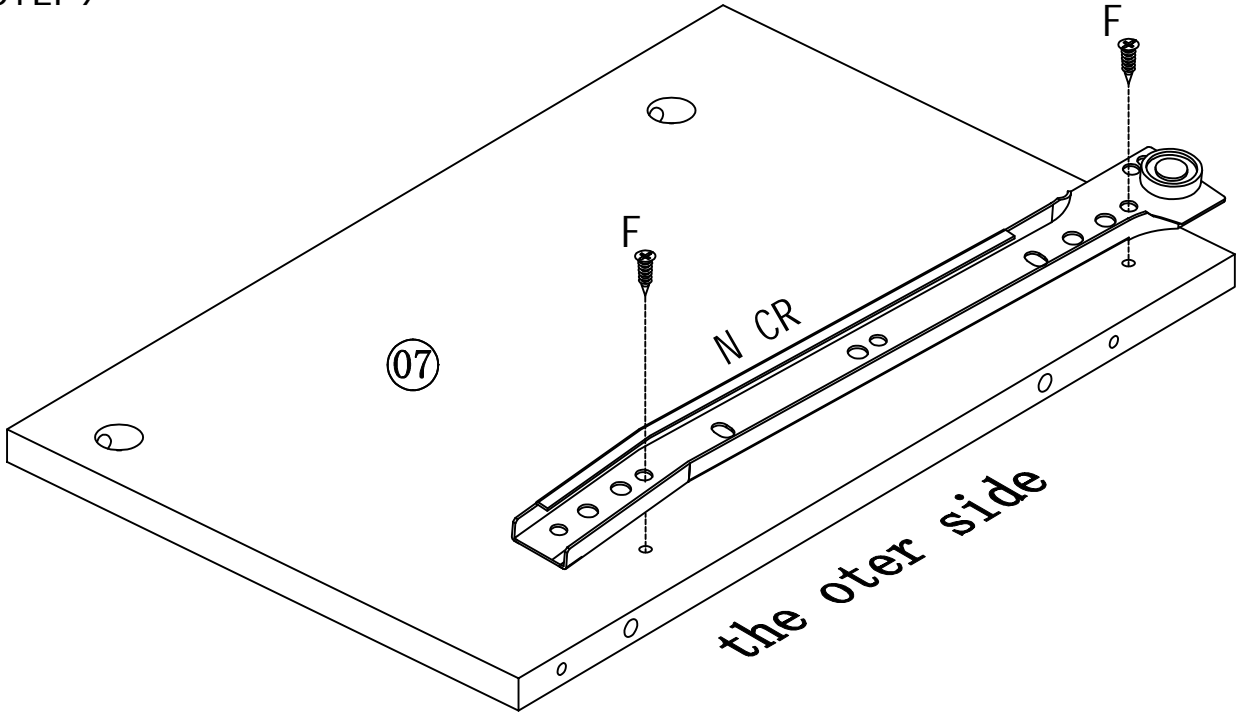
STEP8





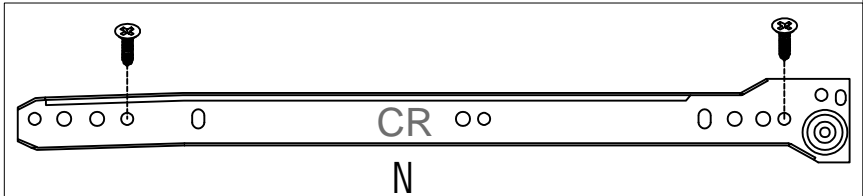
	N CL*1PC
	F*2PCS



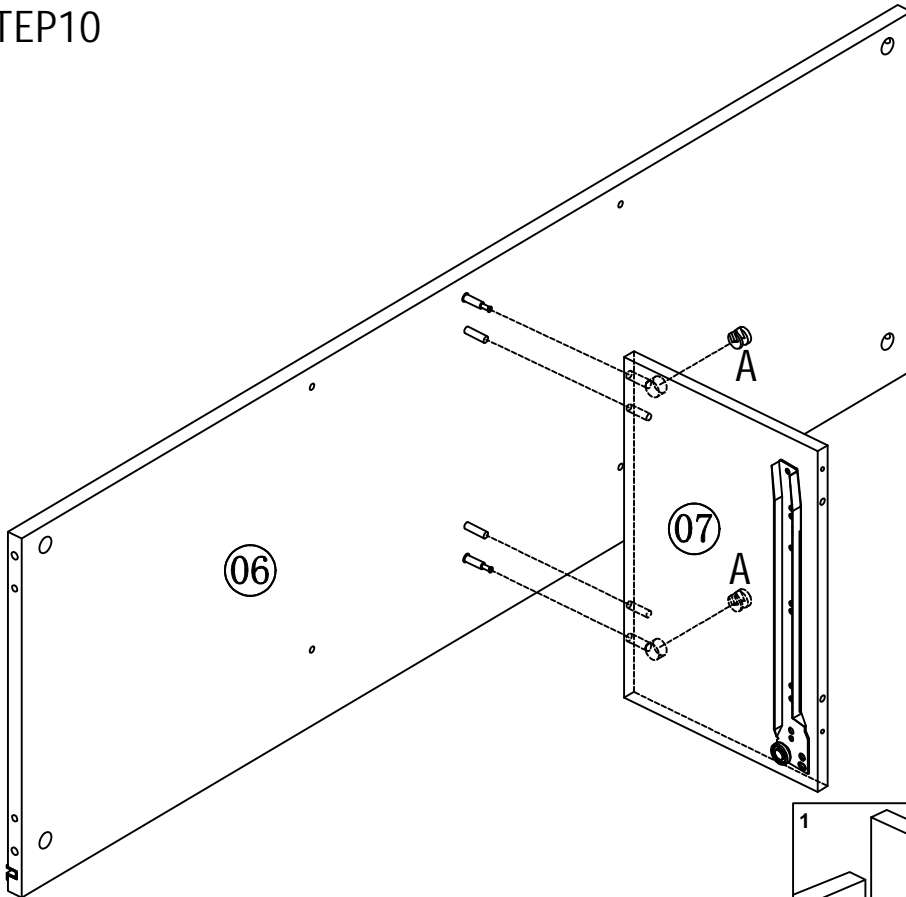
STEP9




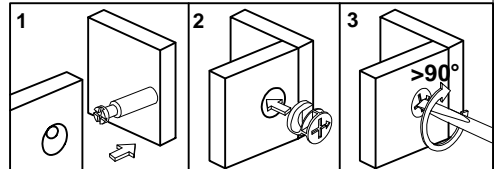
	F*2PCS
	N CR*1PC



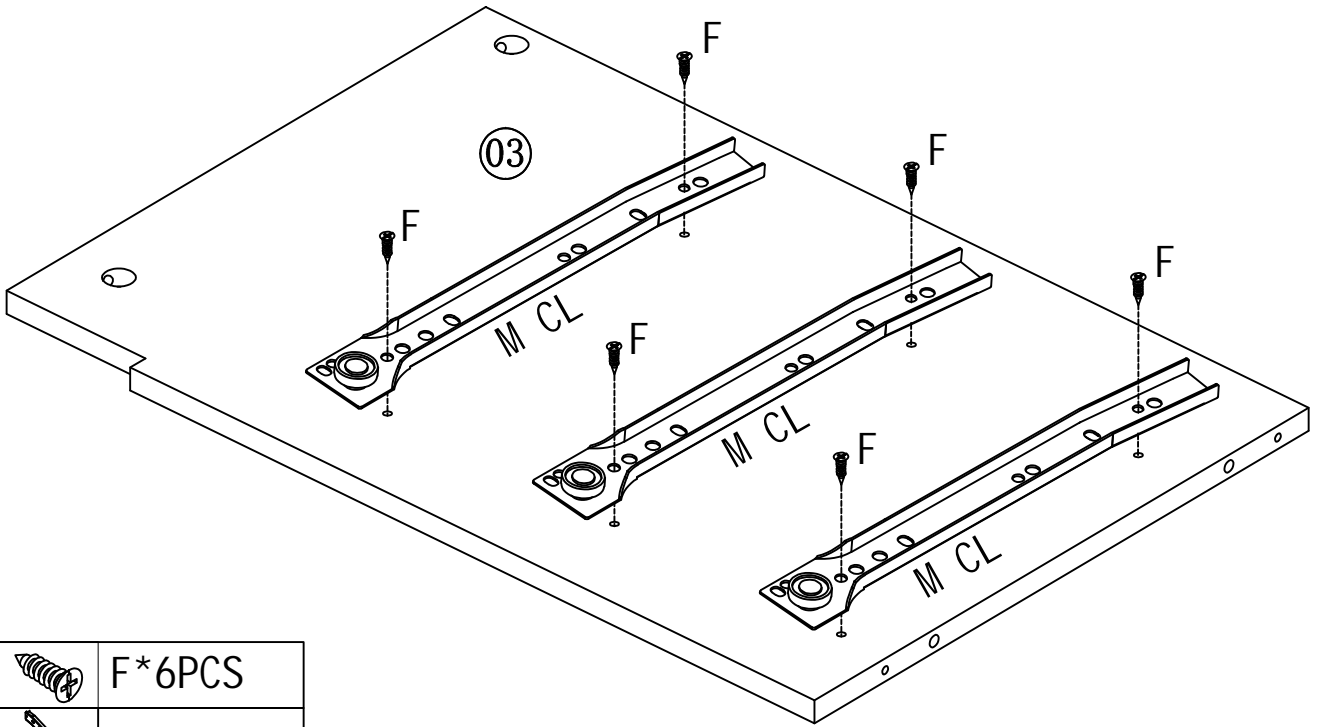
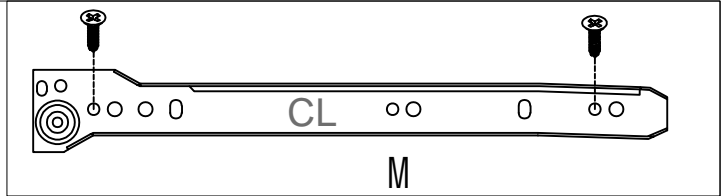
STEP10





	A*2PCS
---	--------

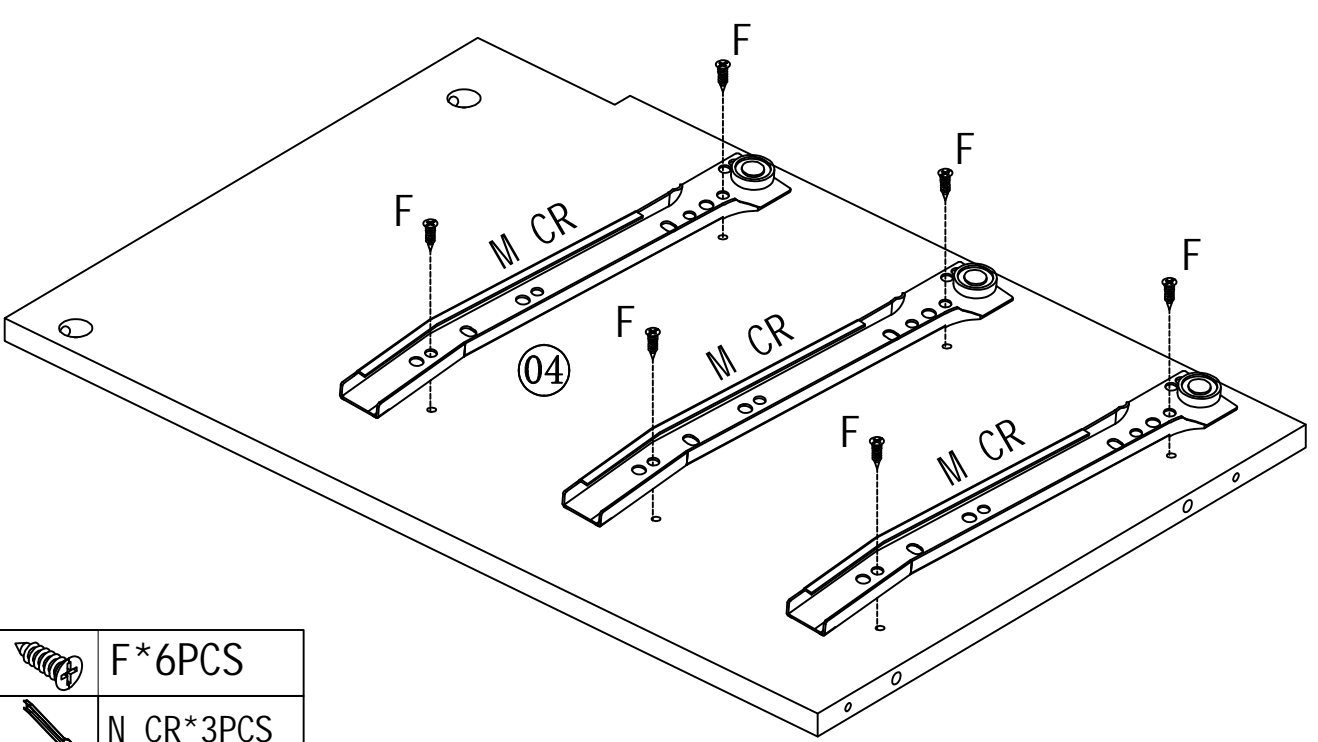
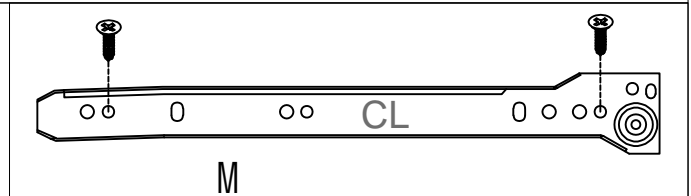




STEP11



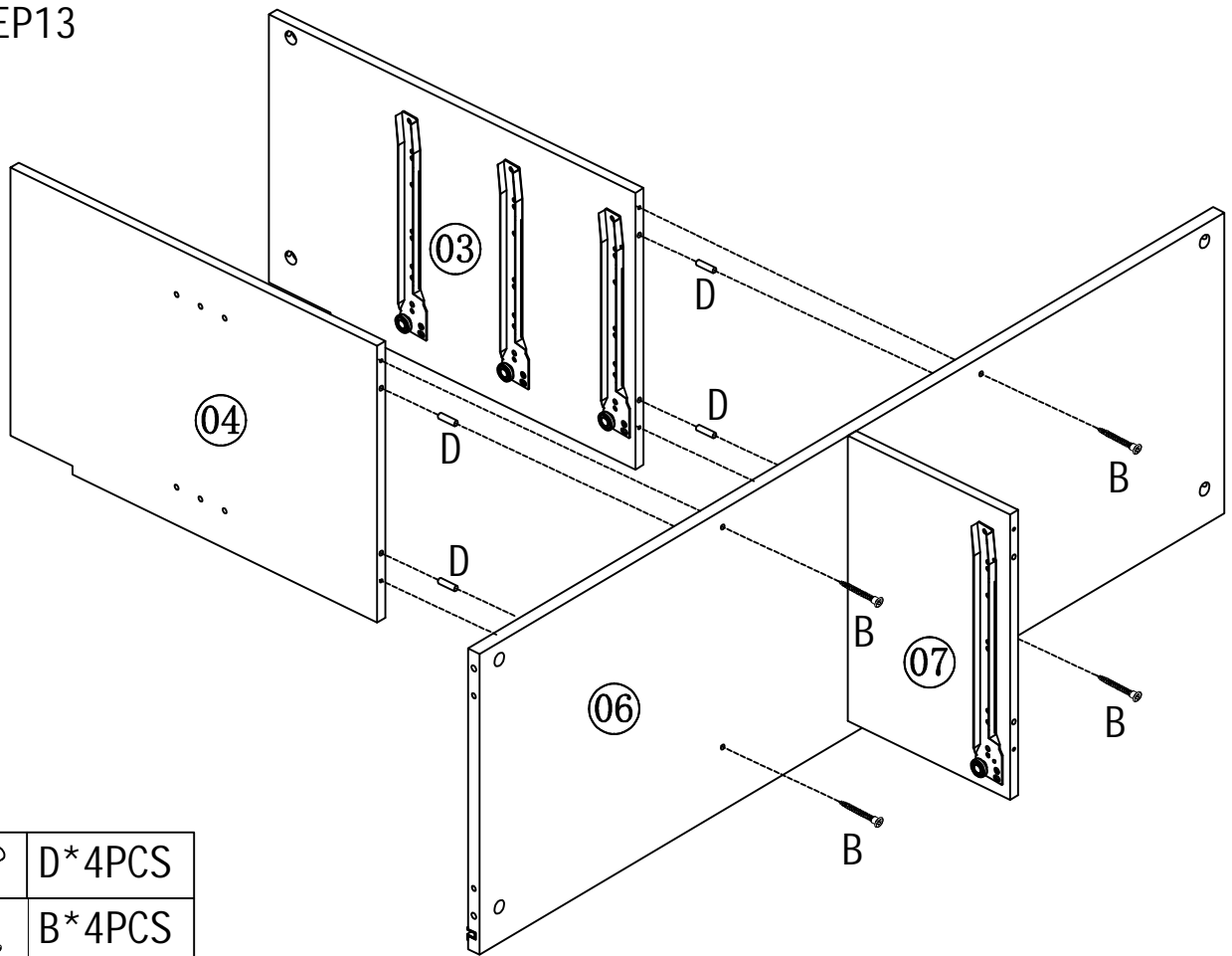
	F*6PCS
	M CL*3PCS

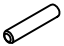

STEP12



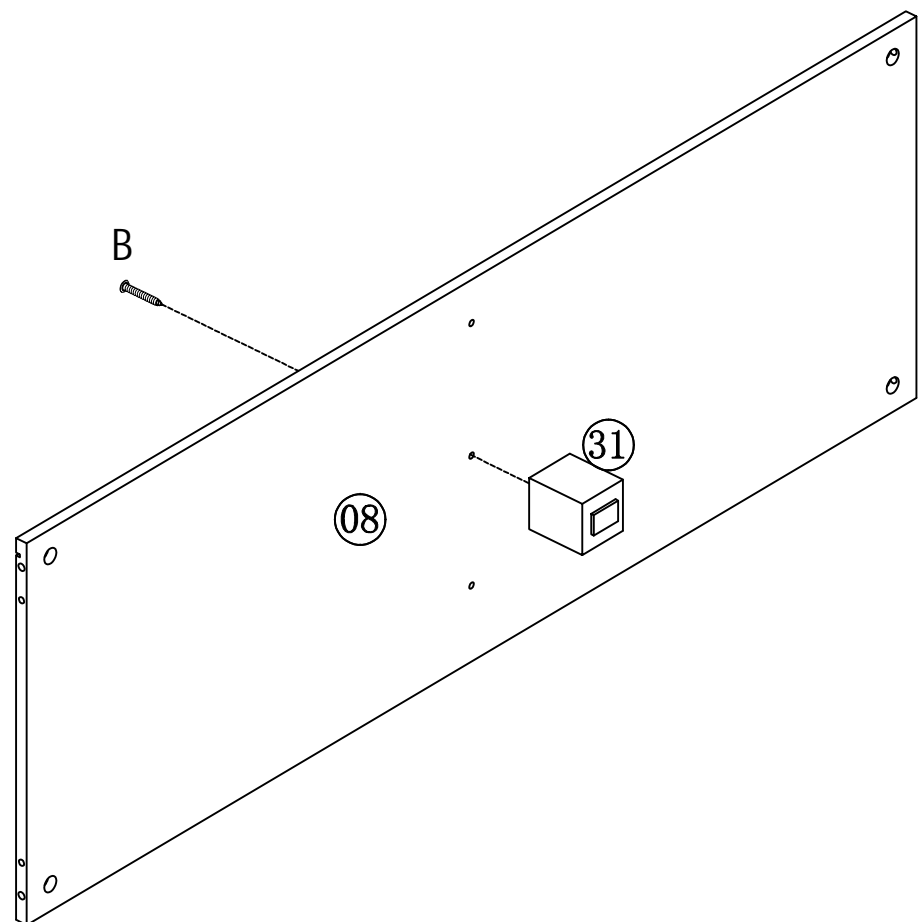
	F*6PCS
	N CR*3PCS


STEP13



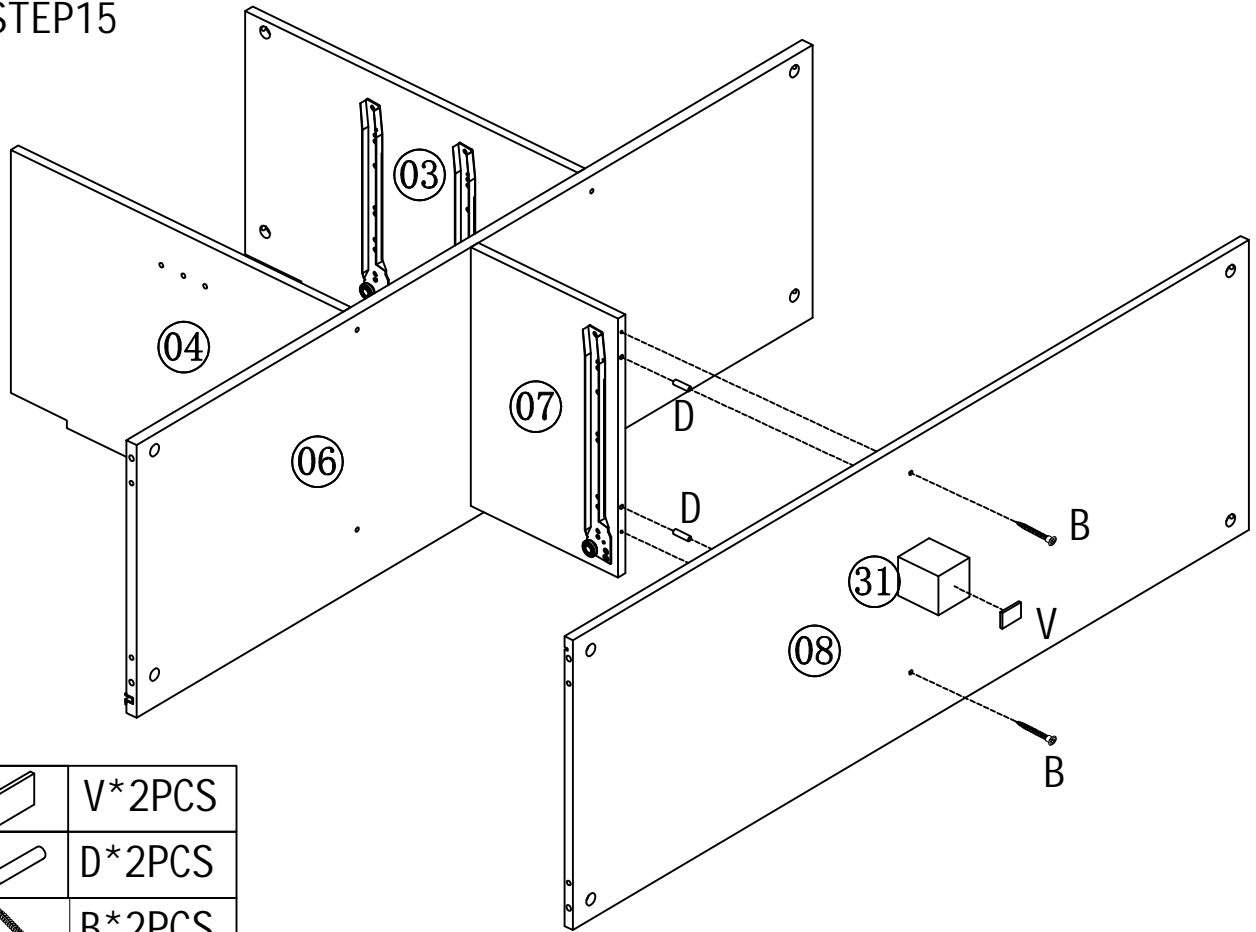
	D*4PCS
	B*4PCS

STEP14



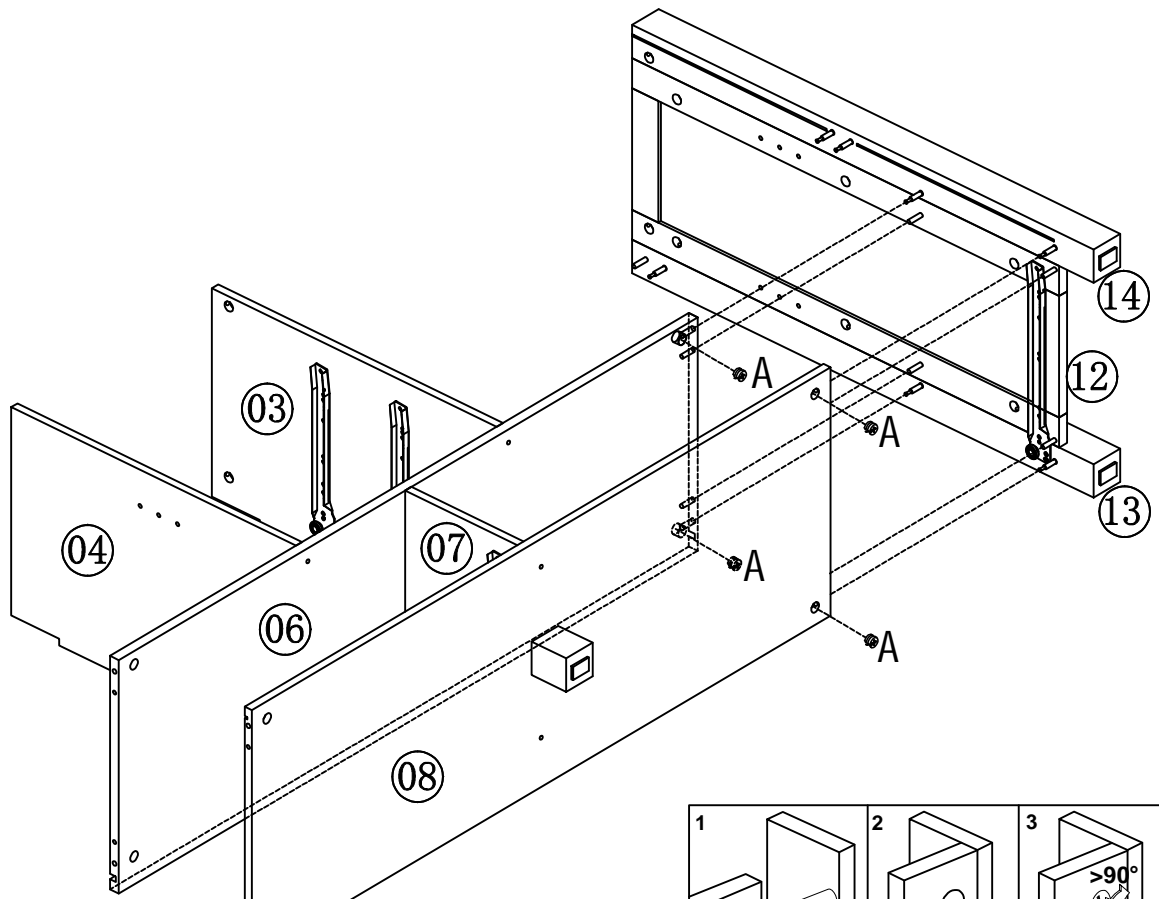
	B*1PC
---	-------

STEP15

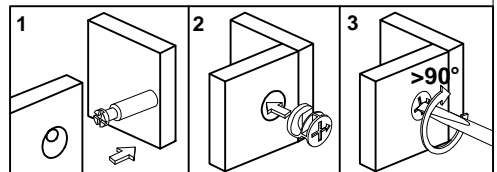


	V*2PCS
	D*2PCS
	B*2PCS

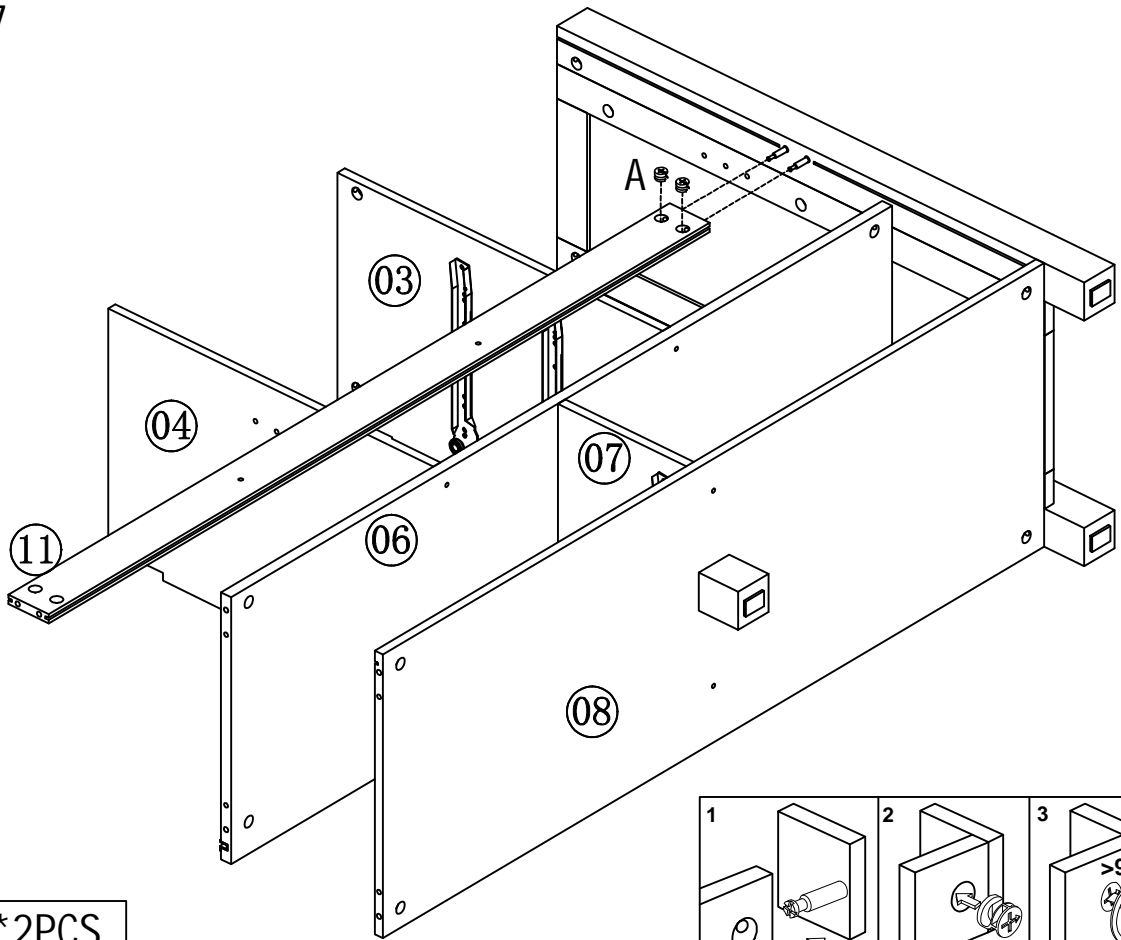
STEP16



	A*4PCS
--	--------

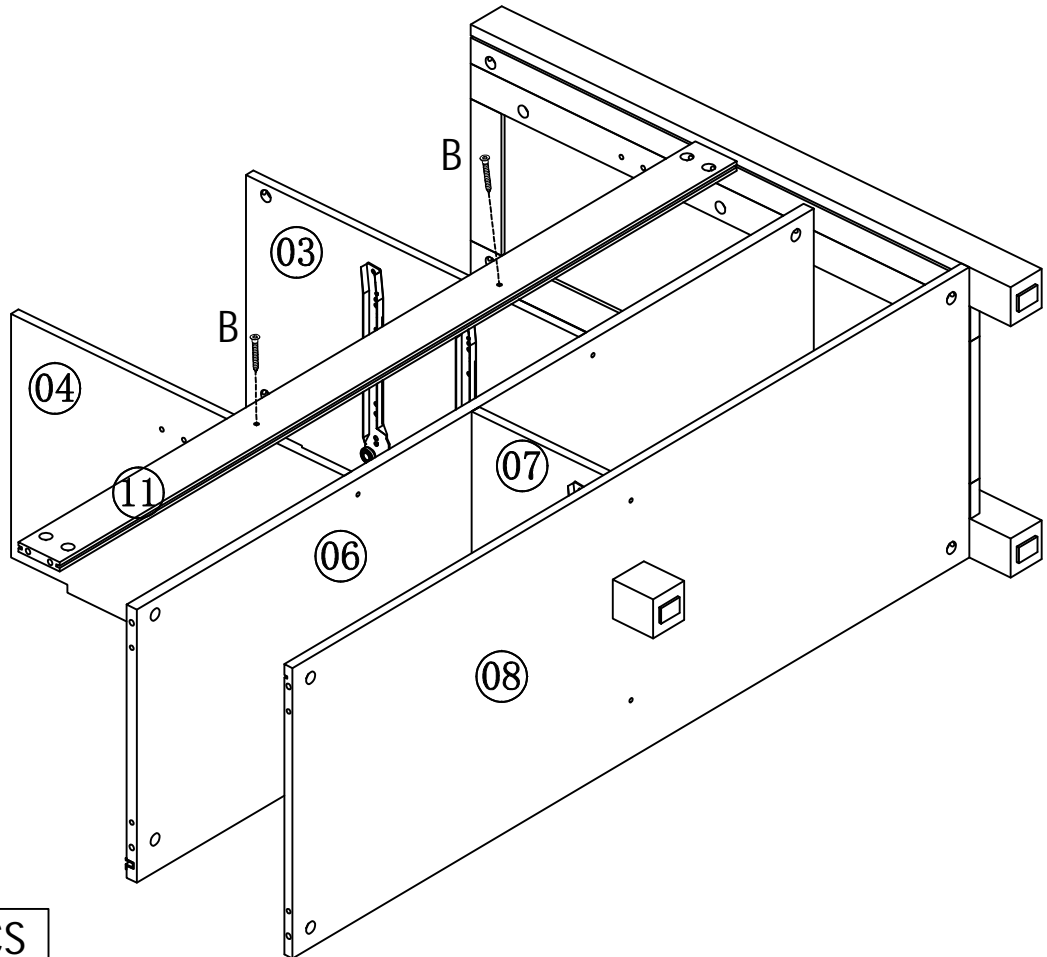


STEP17



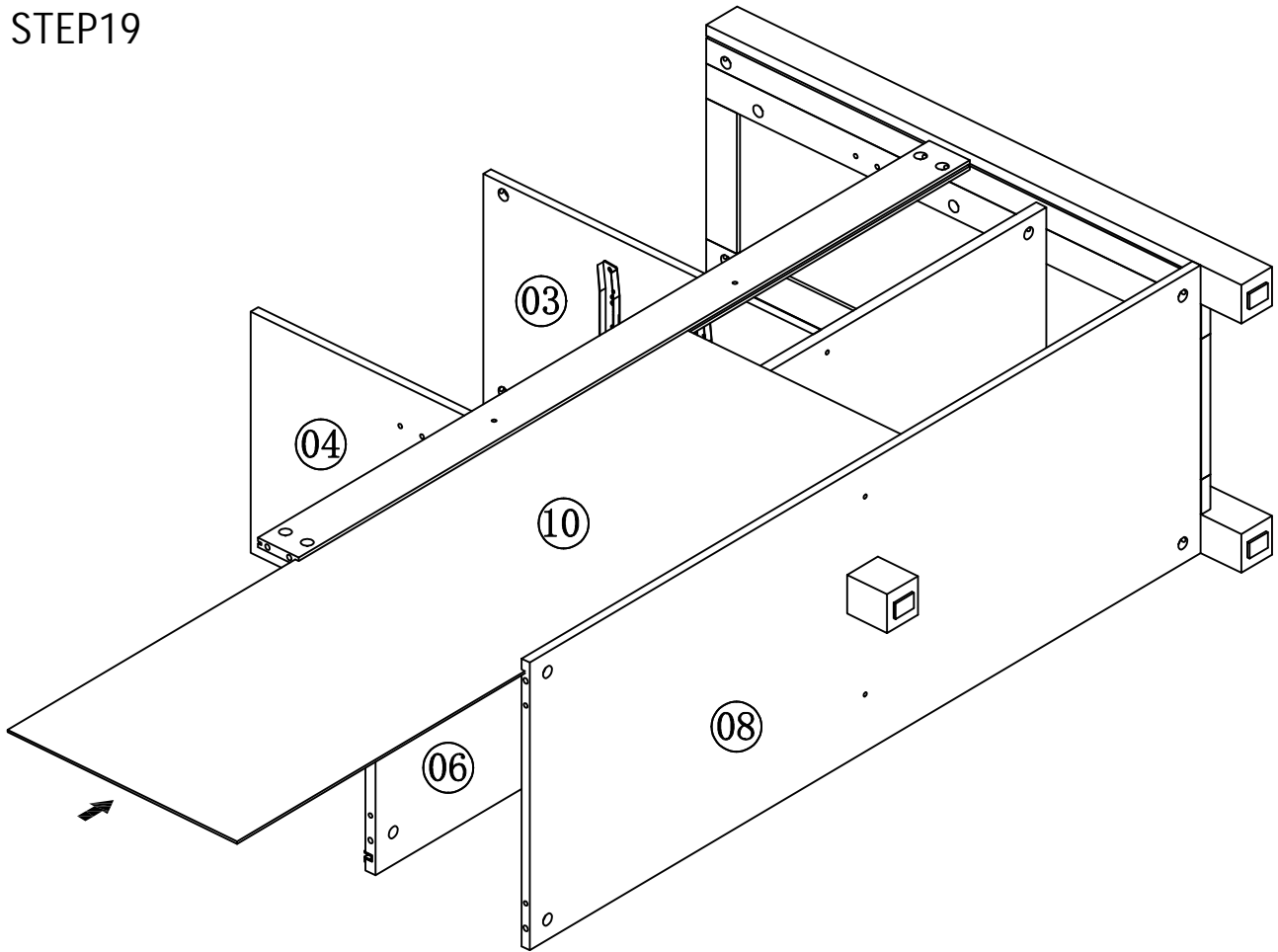
A*2PCS

STEP18

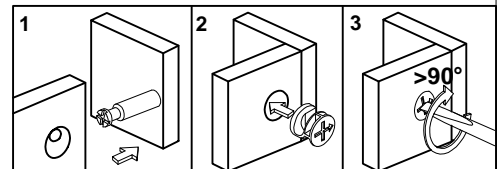
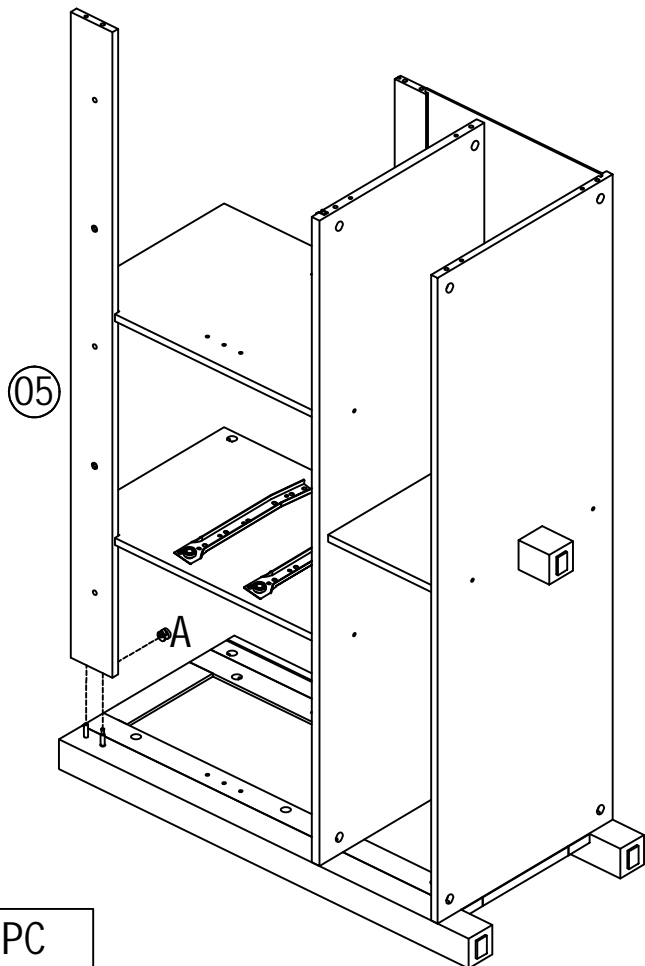



B*2PCS

STEP19

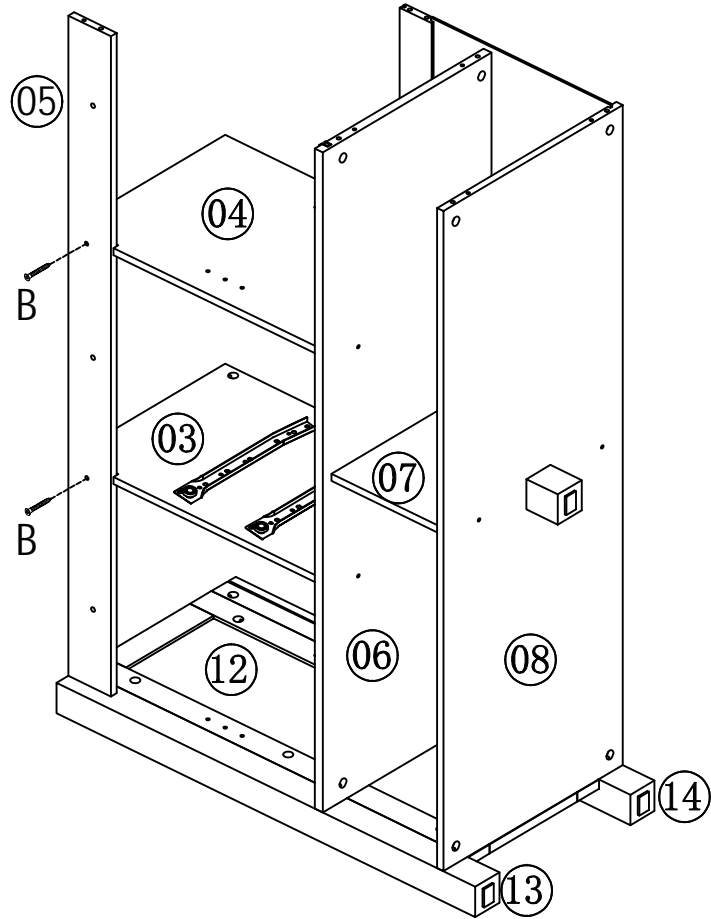


STEP20



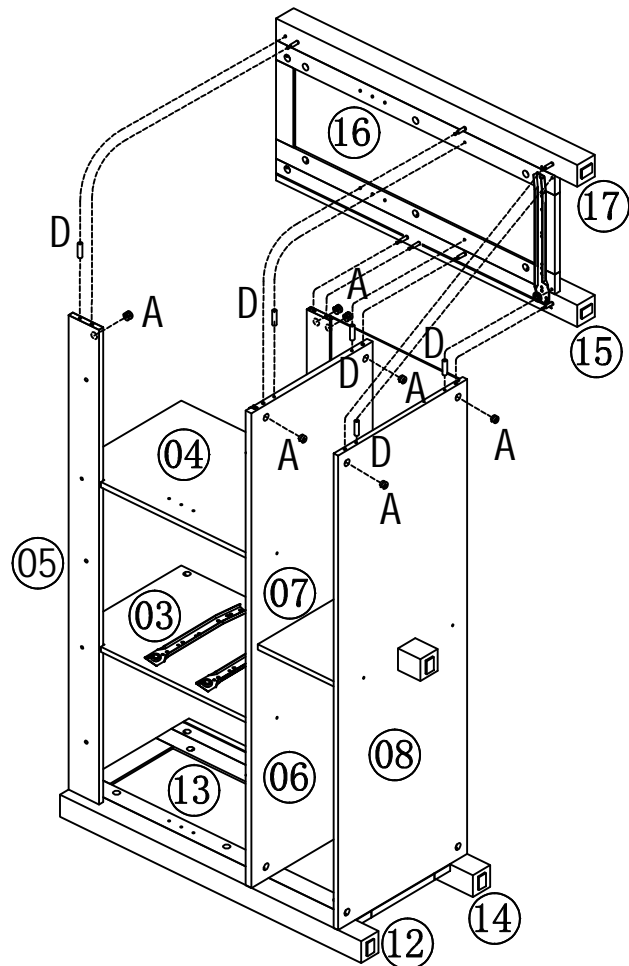
 A*1PC

STEP21



B*2PCS

STEP22

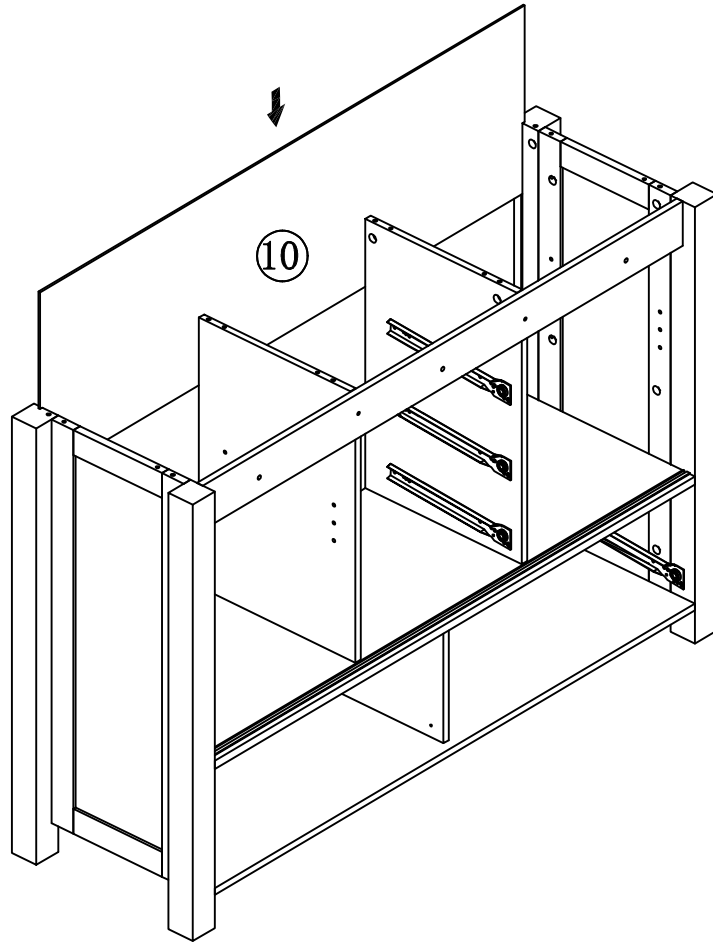


A*7PCS

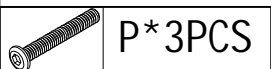
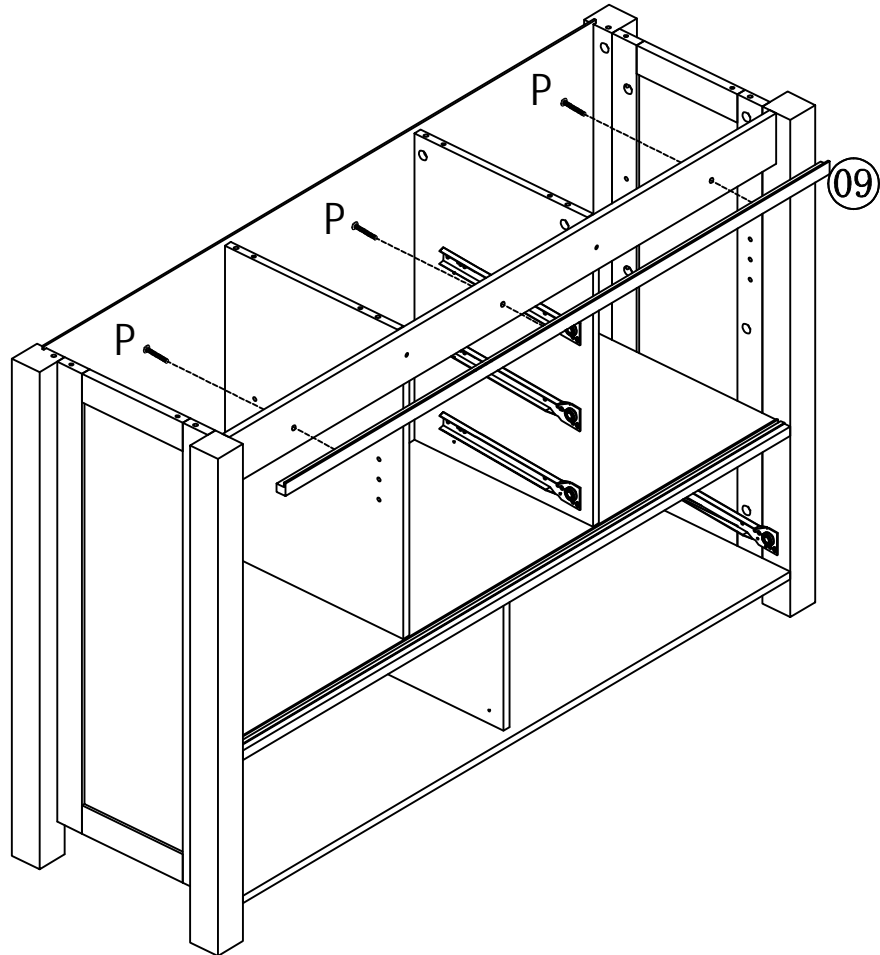


D*5PCS

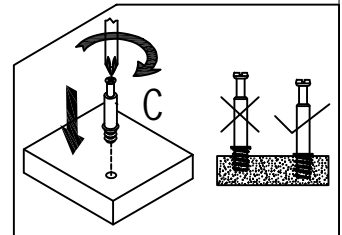
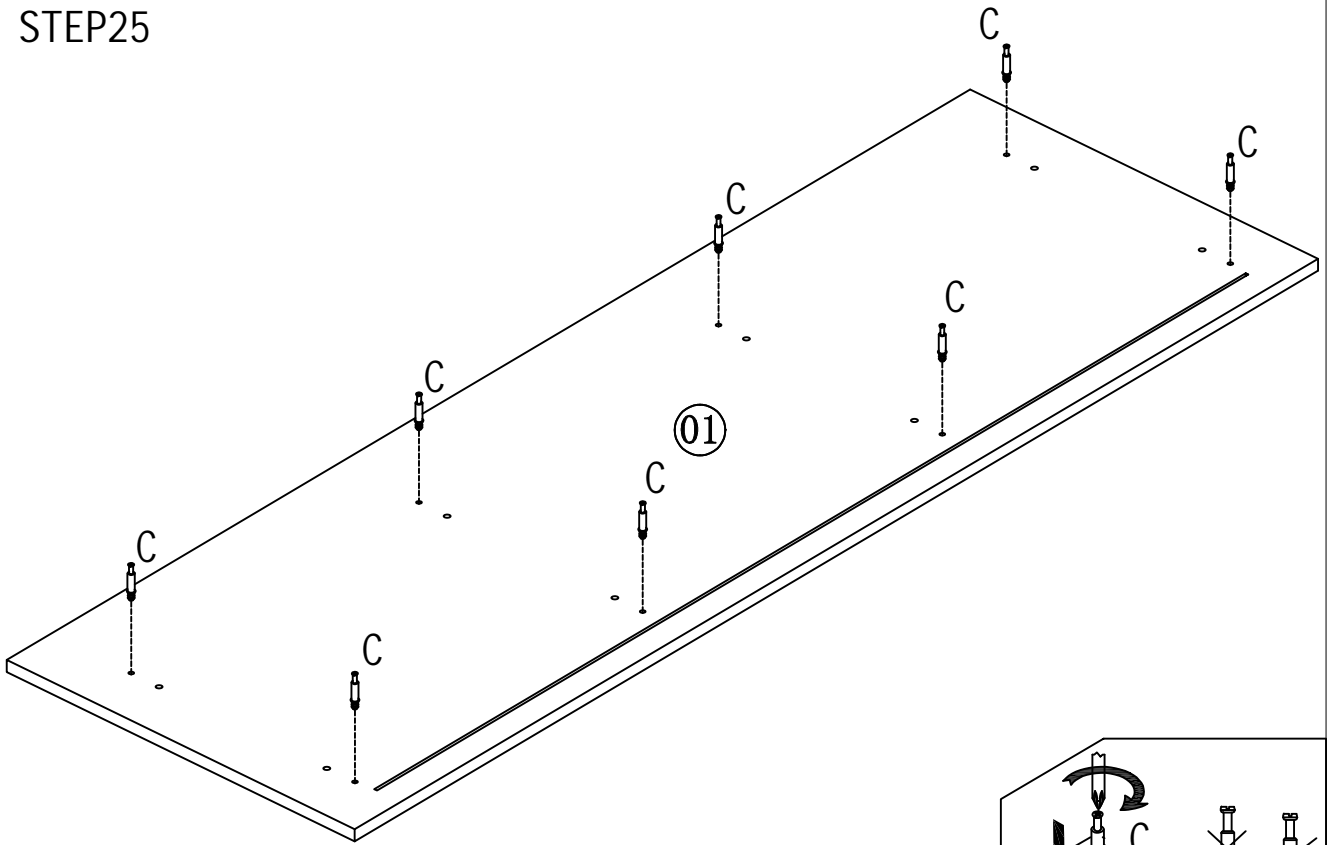
STEP23




STEP24

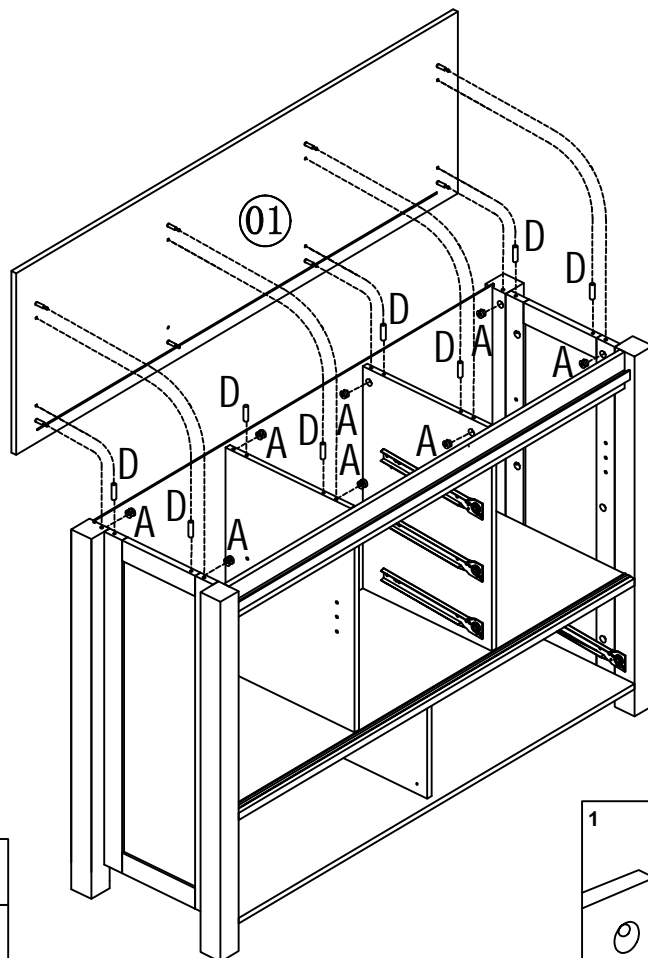




STEP25

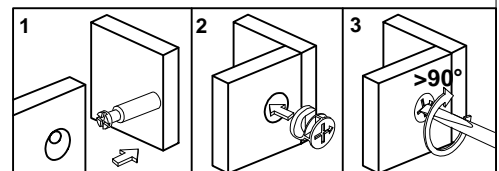


	C*8PCS
---	--------

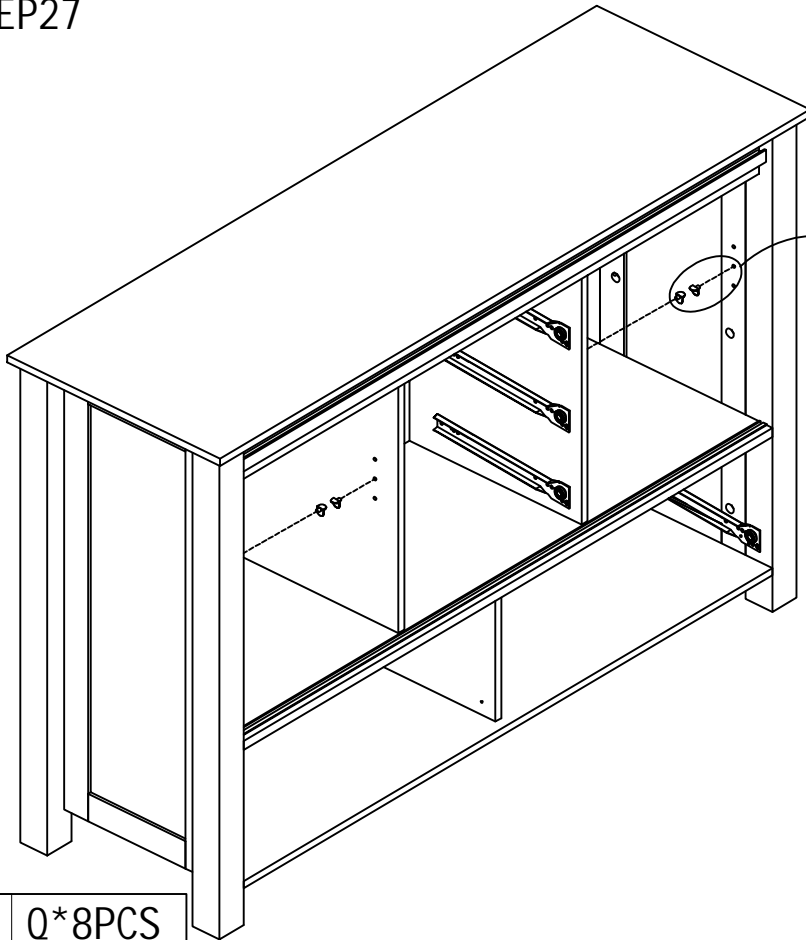
STEP26



	D*8PCS
	A*8PCS

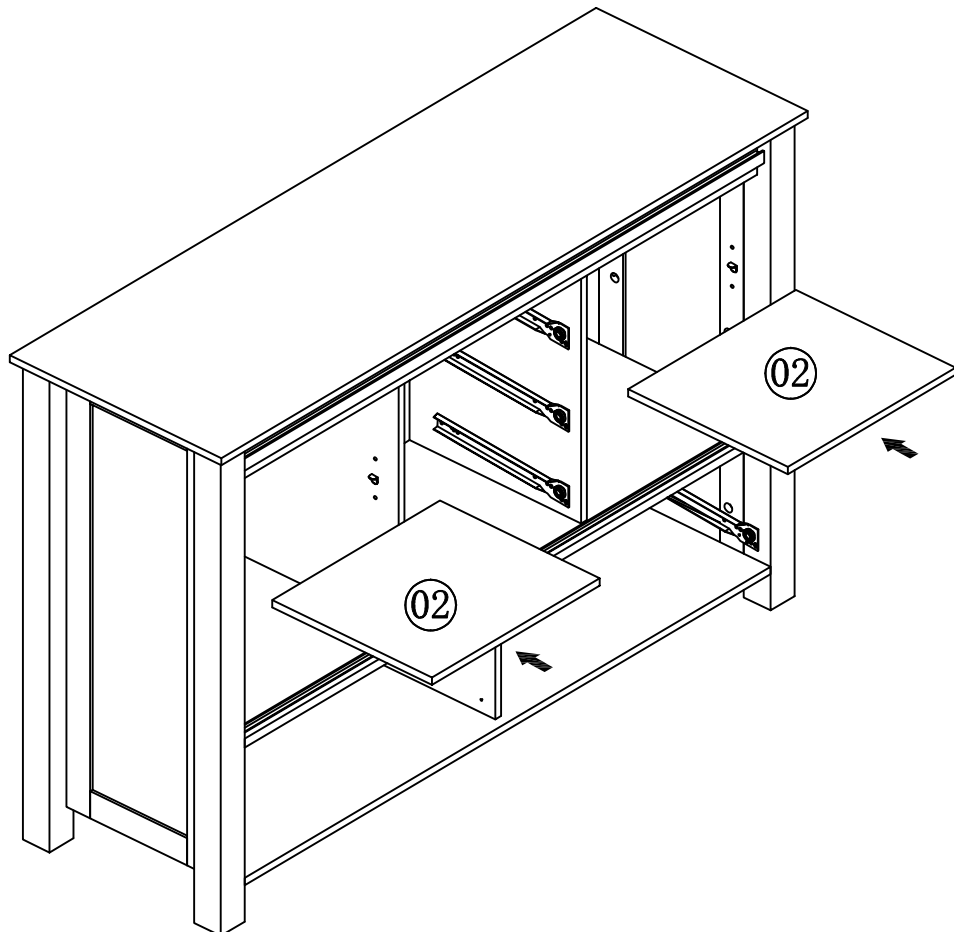


STEP27

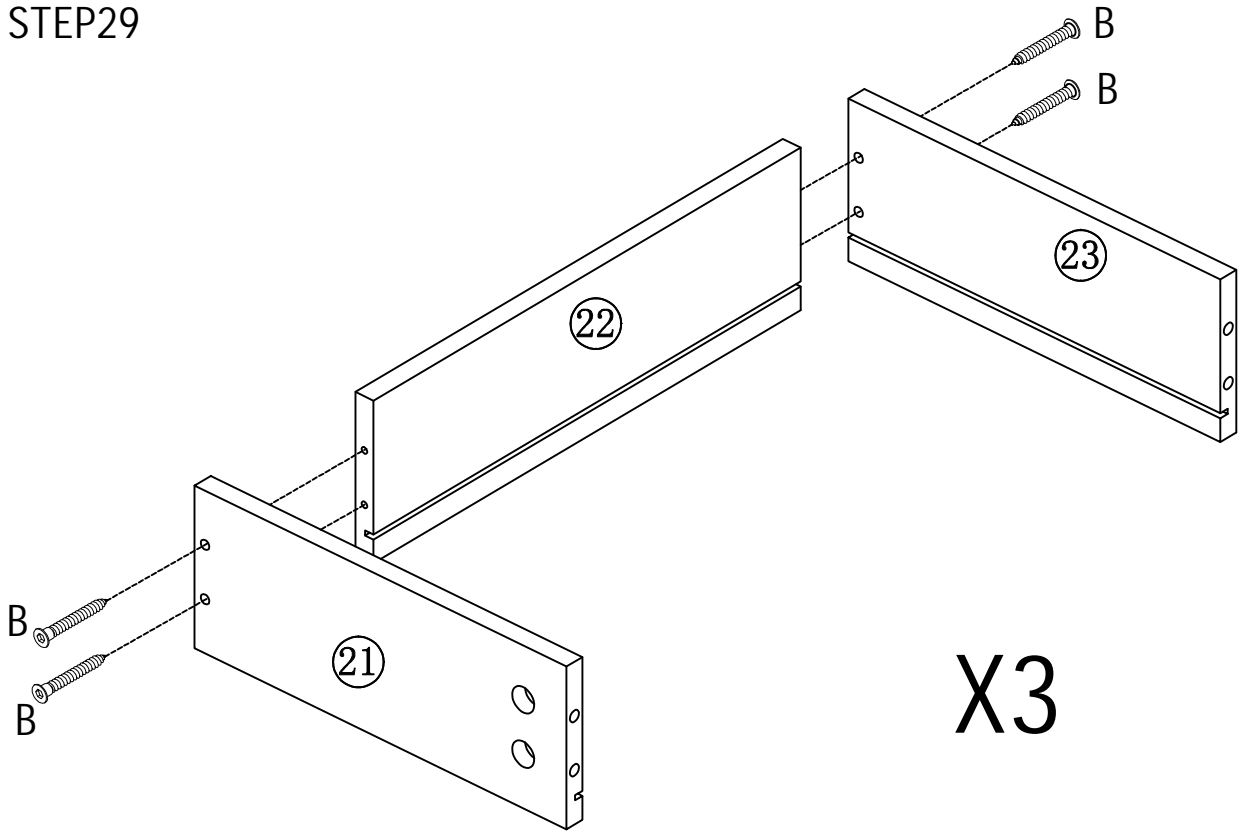


Q*8PCS


STEP28



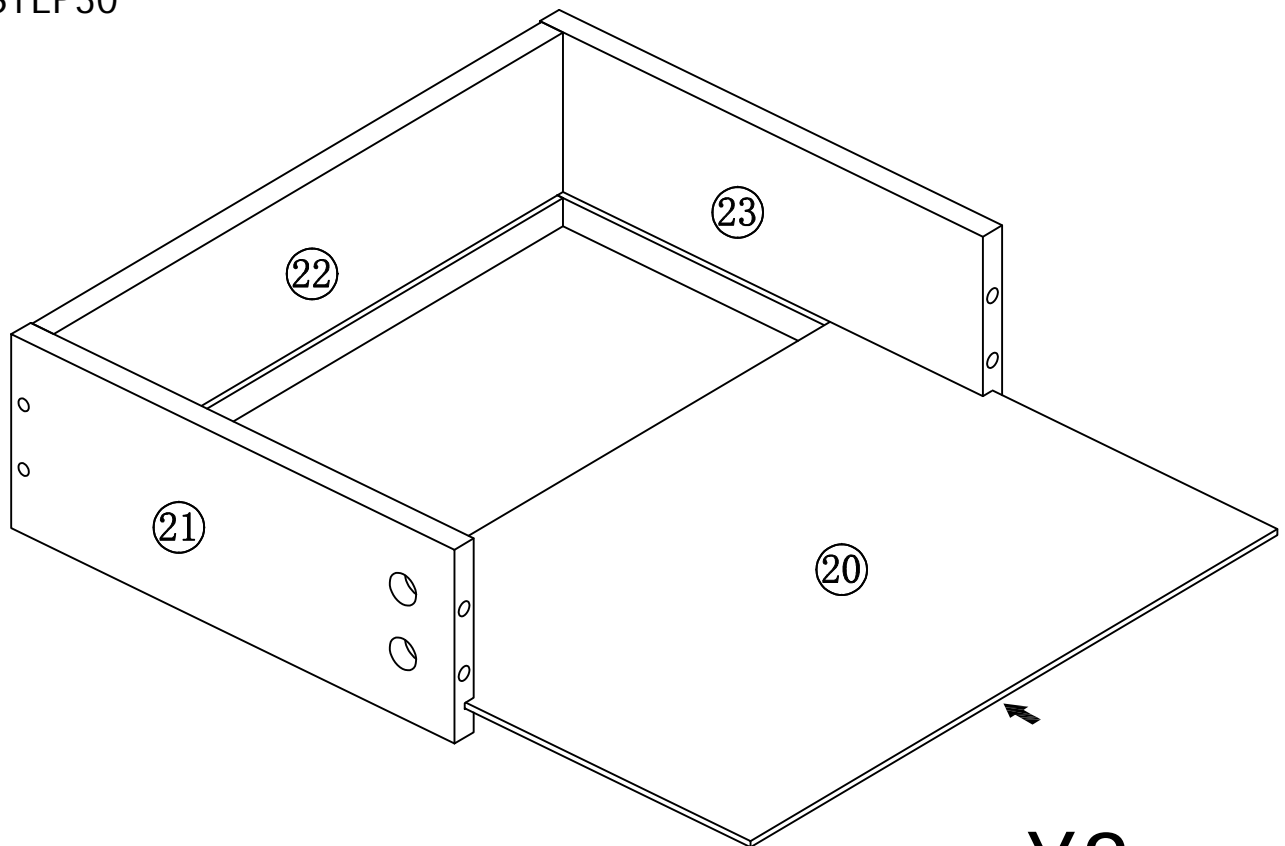
STEP29



X3

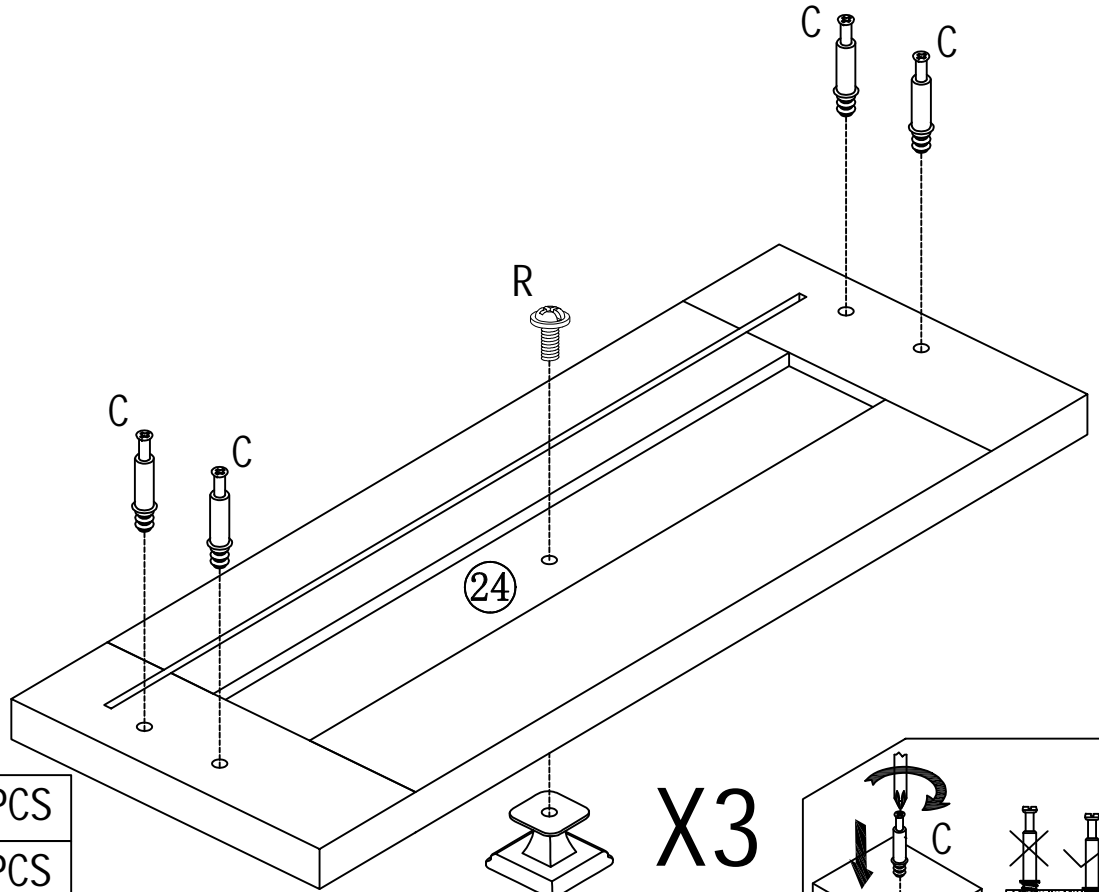
 B*12PCS

STEP30



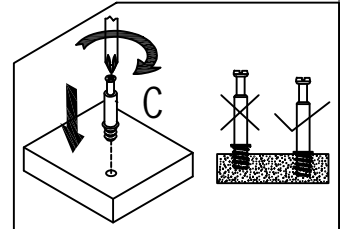
X3

STEP31

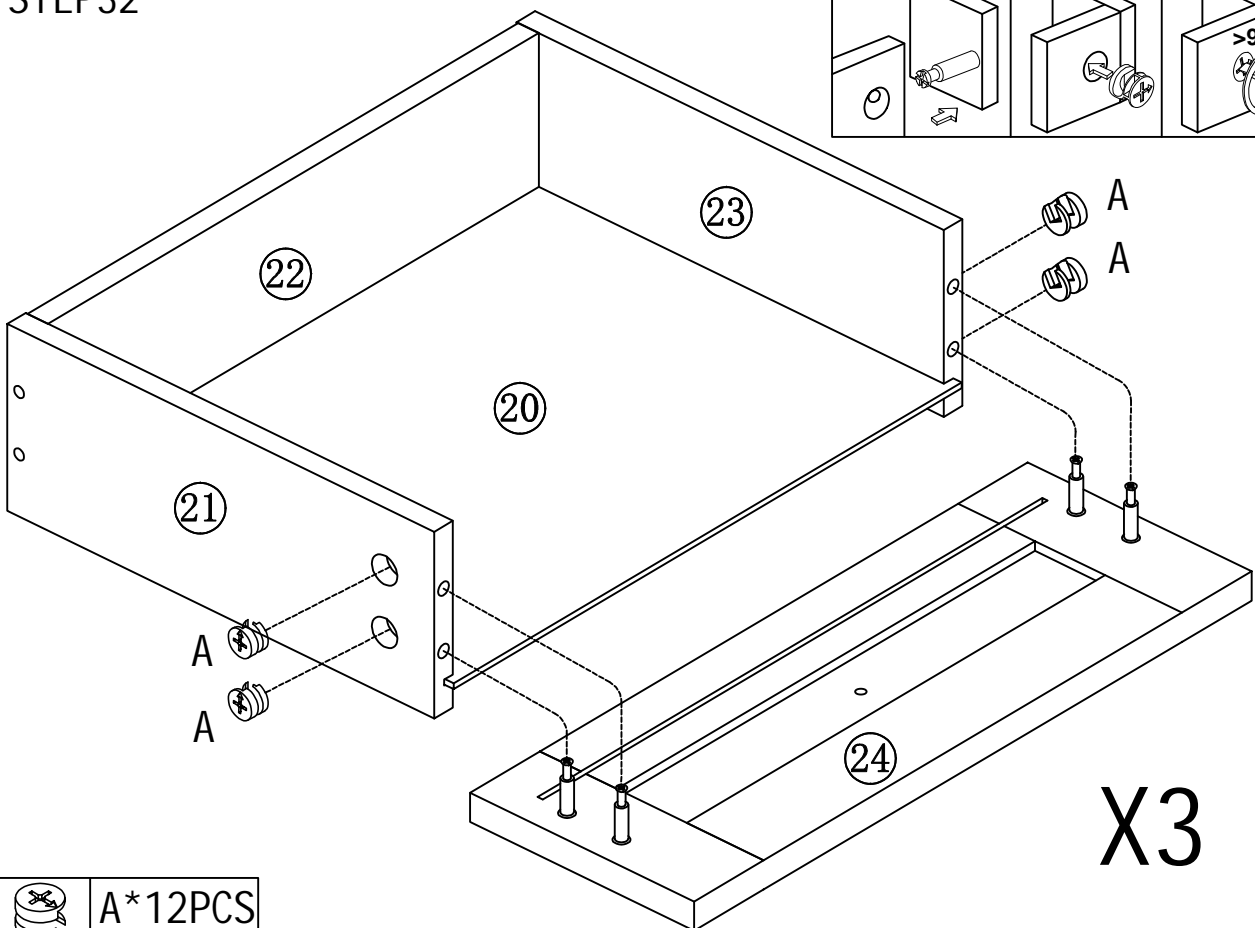
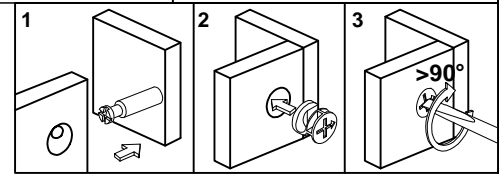


	K*3PCS
	R*3PCS
	C*12PCS

X3



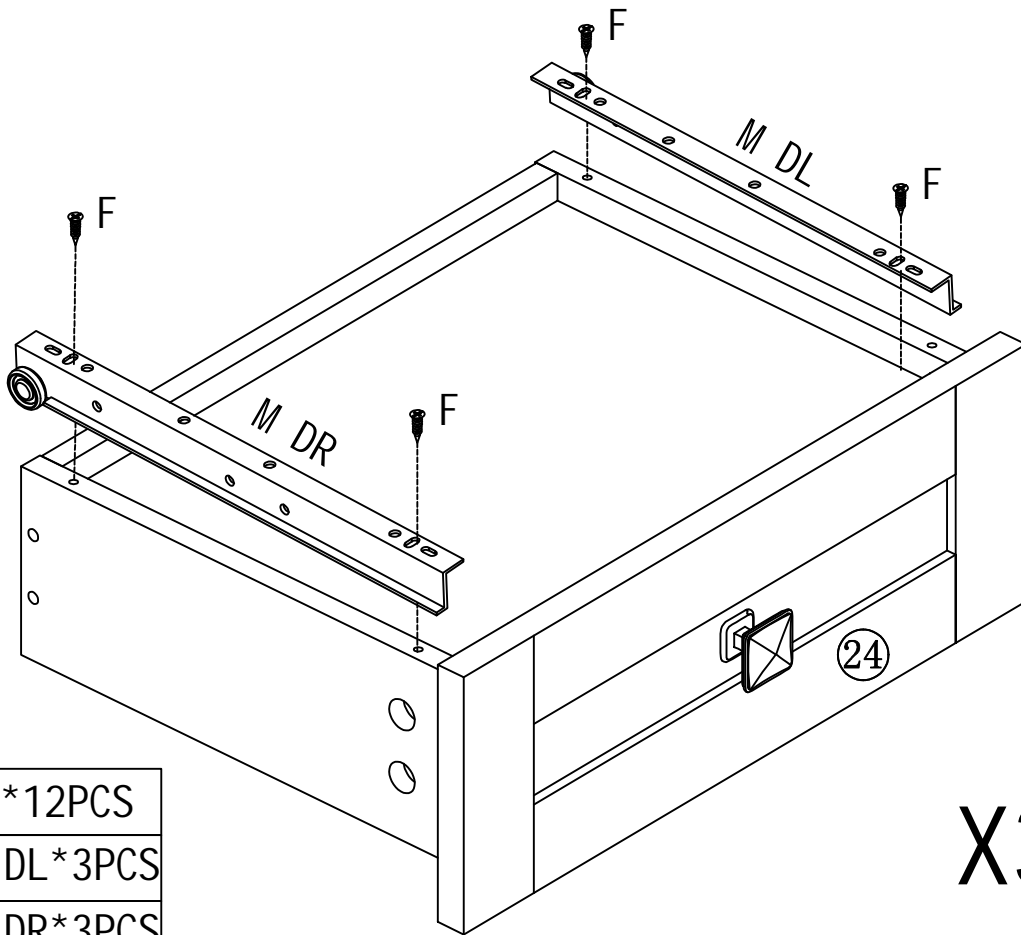
STEP32






X3

	A*12PCS
--	---------

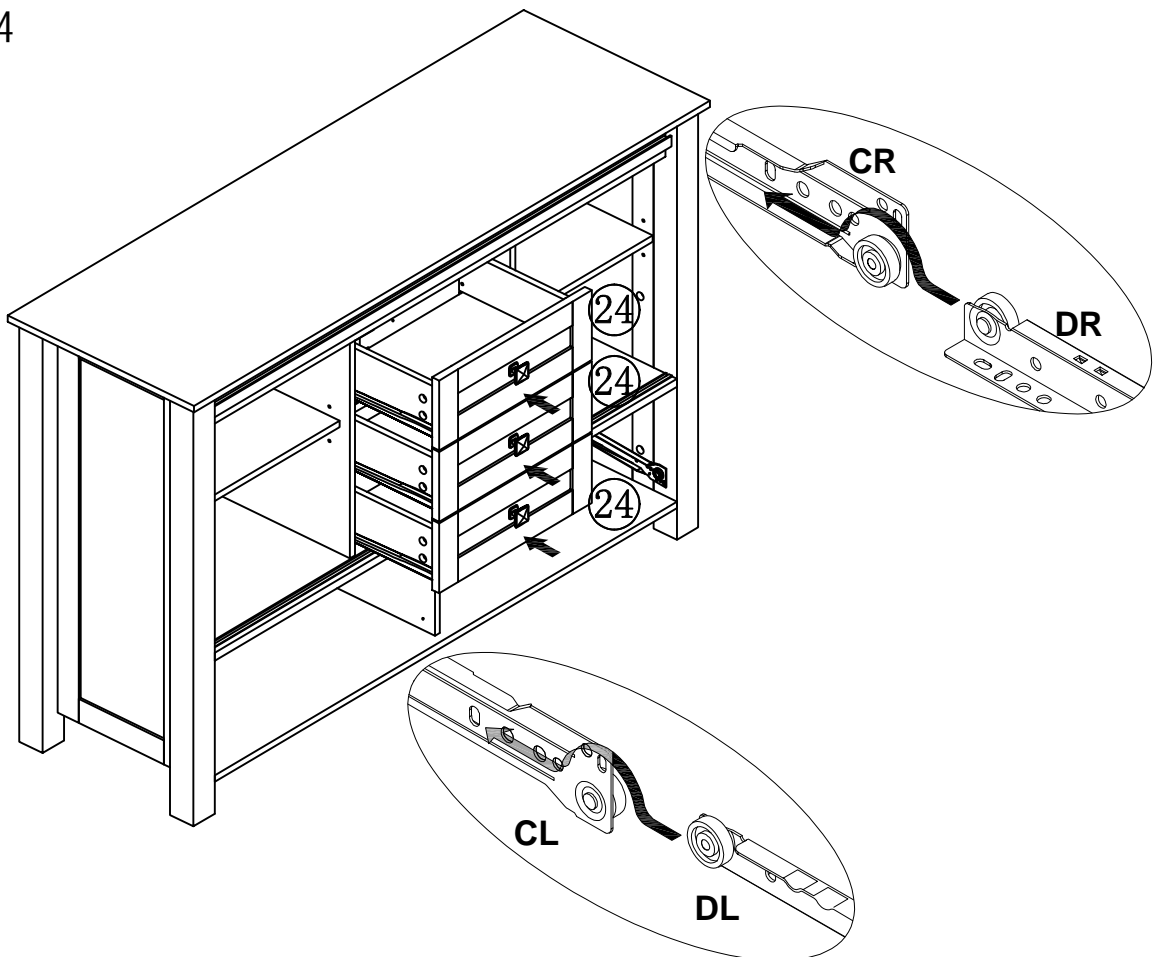
STEP33



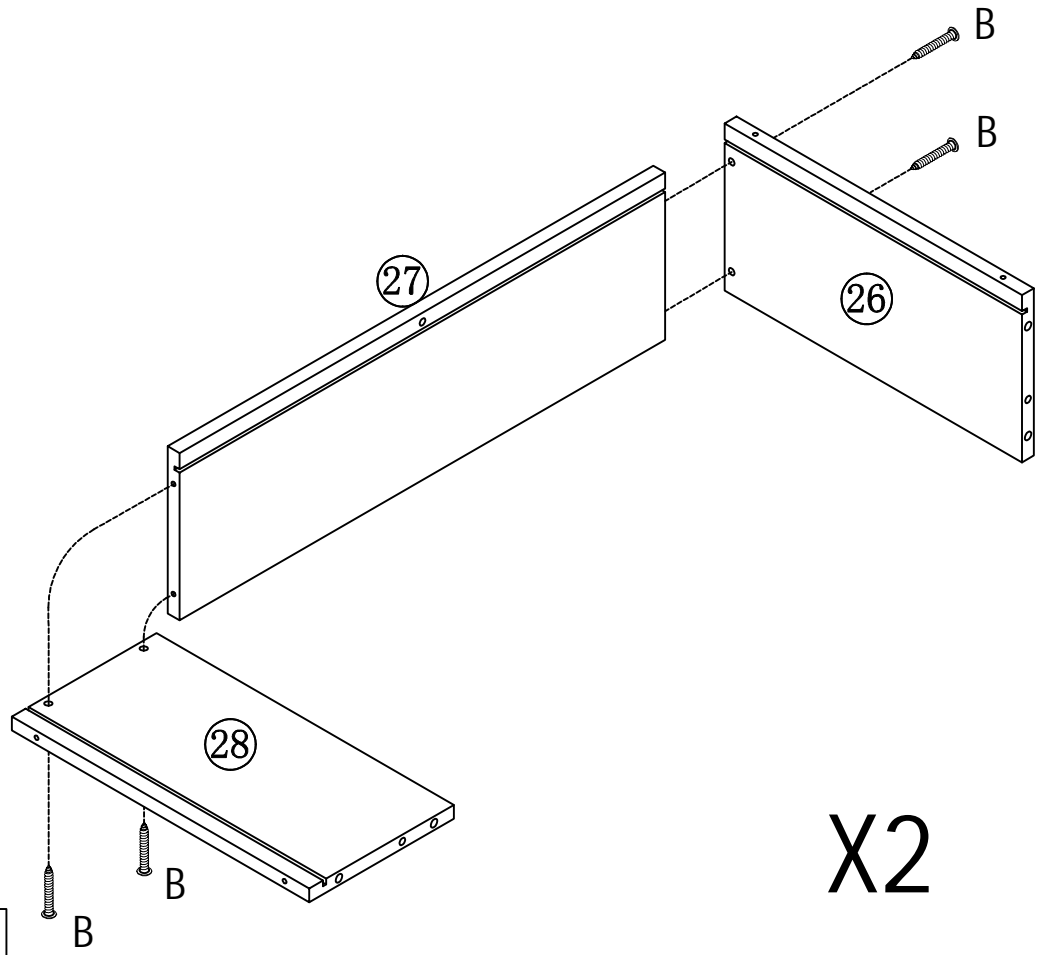
	F*12PCS
	M DL*3PCS
	M DR*3PCS

X3

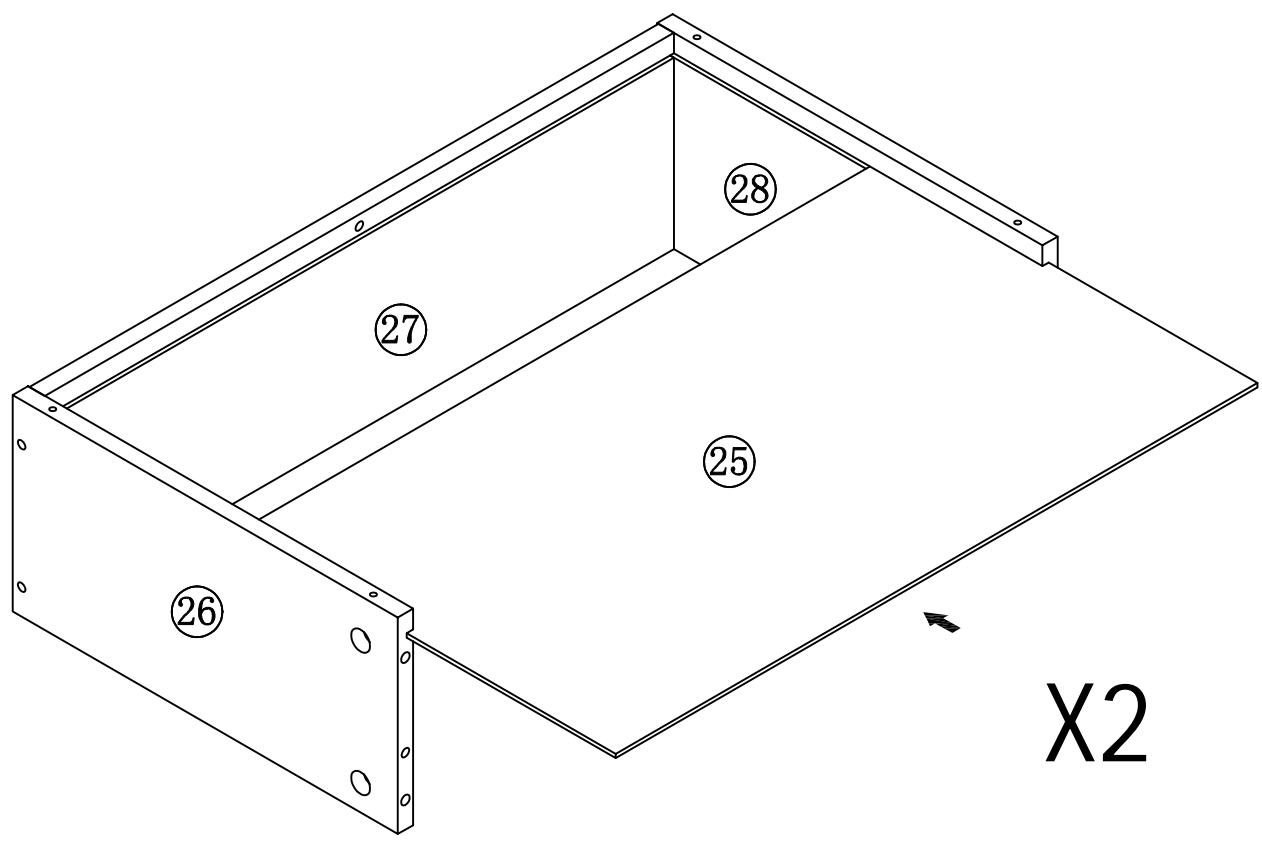
STEP34



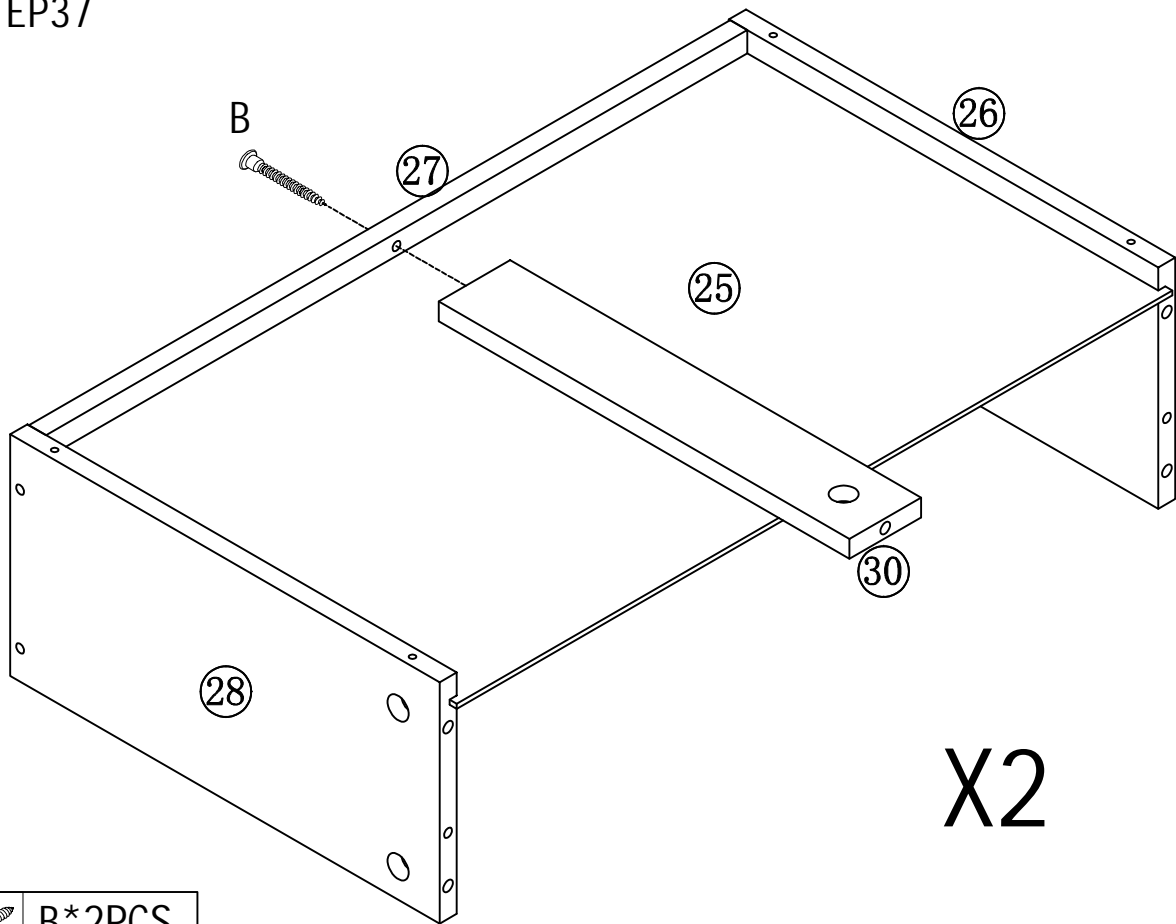
STEP35




STEP36



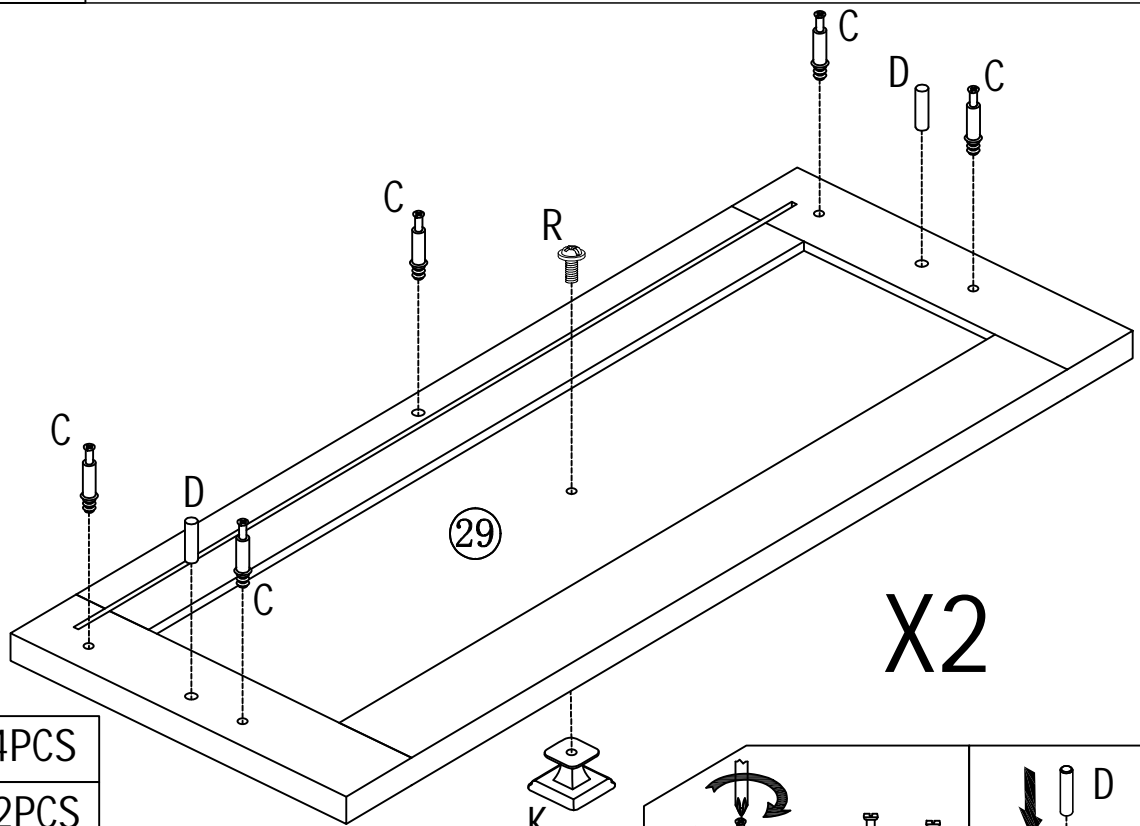
STEP37







X2

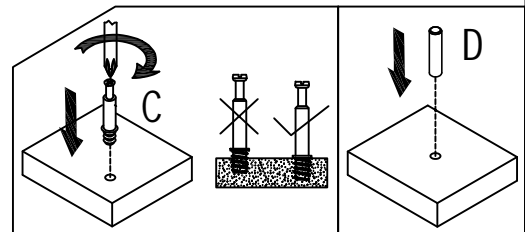
	B*2PCS
---	--------

STEP38

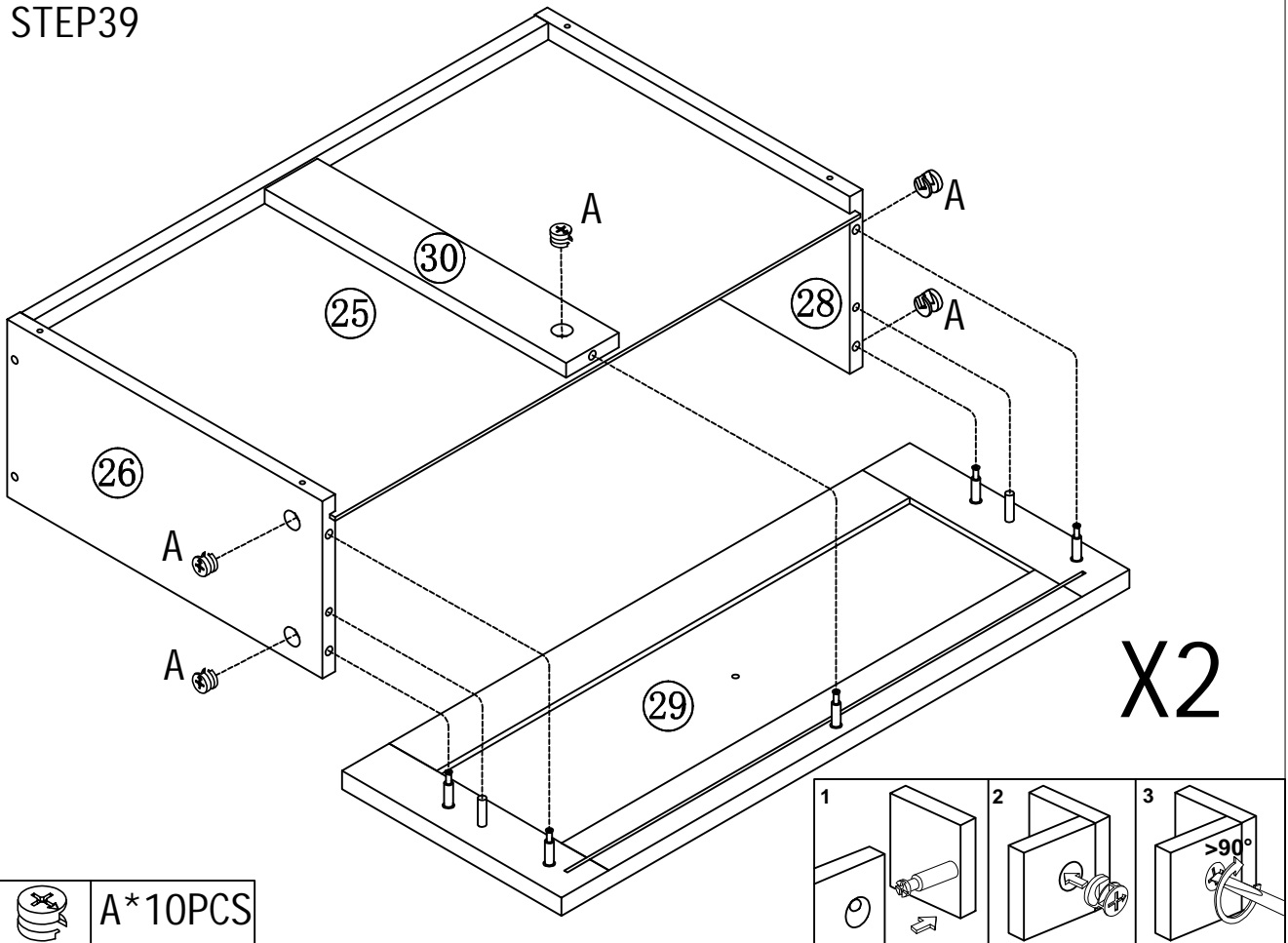


X2

	D*4PCS
	K*2PCS
	R*2PCS
	C*10PCS

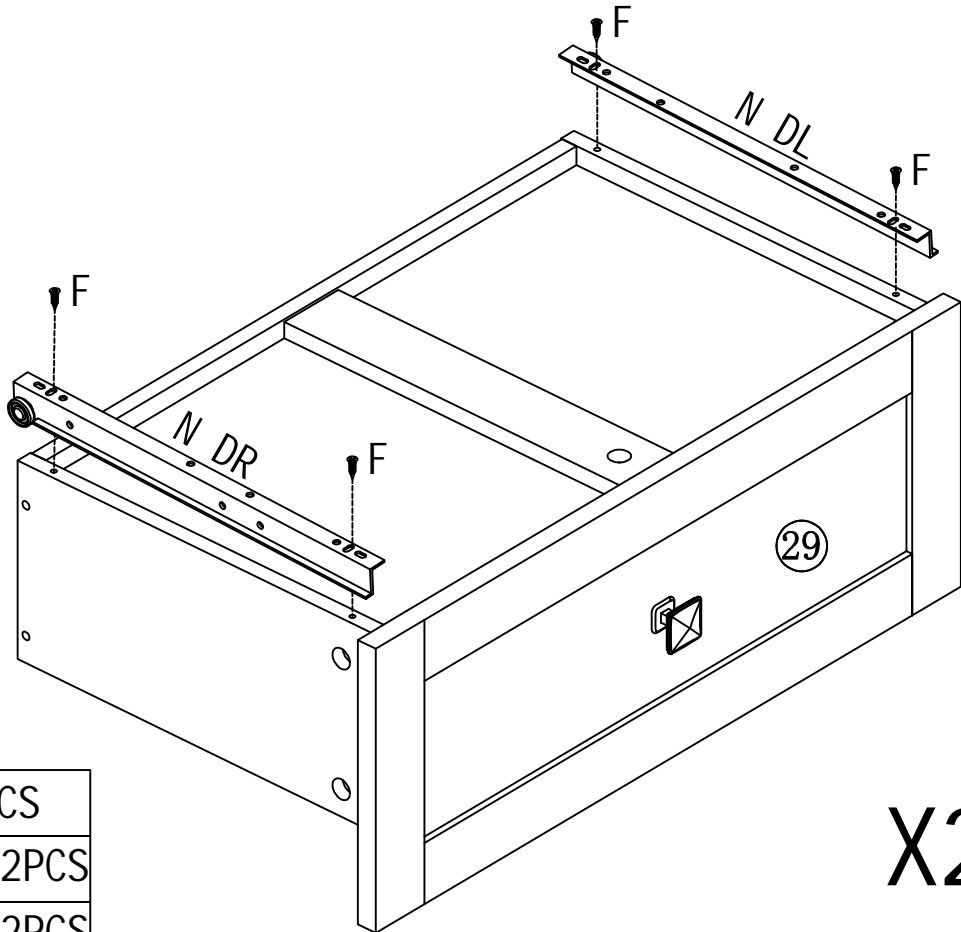


STEP39






X2

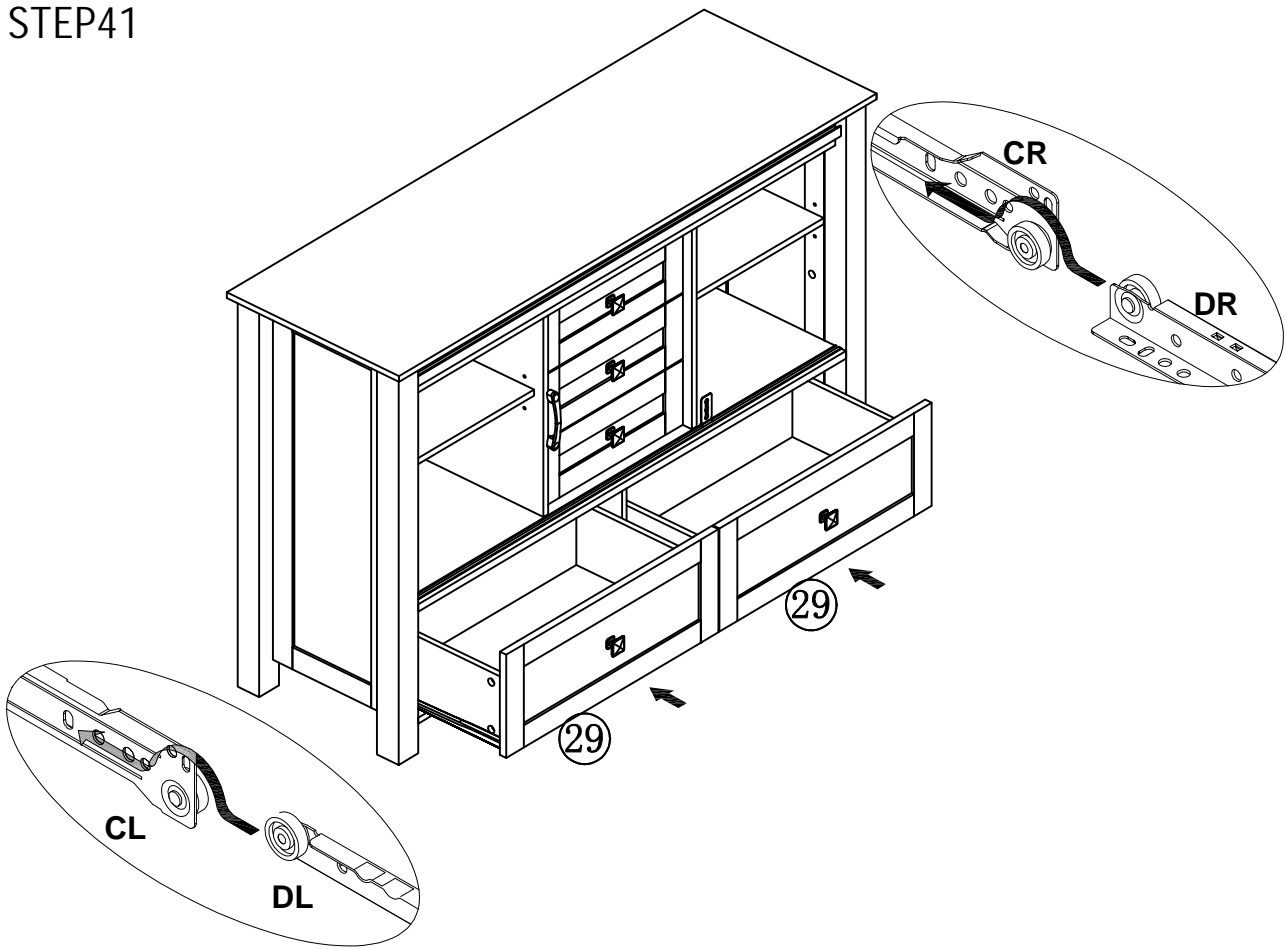
STEP40



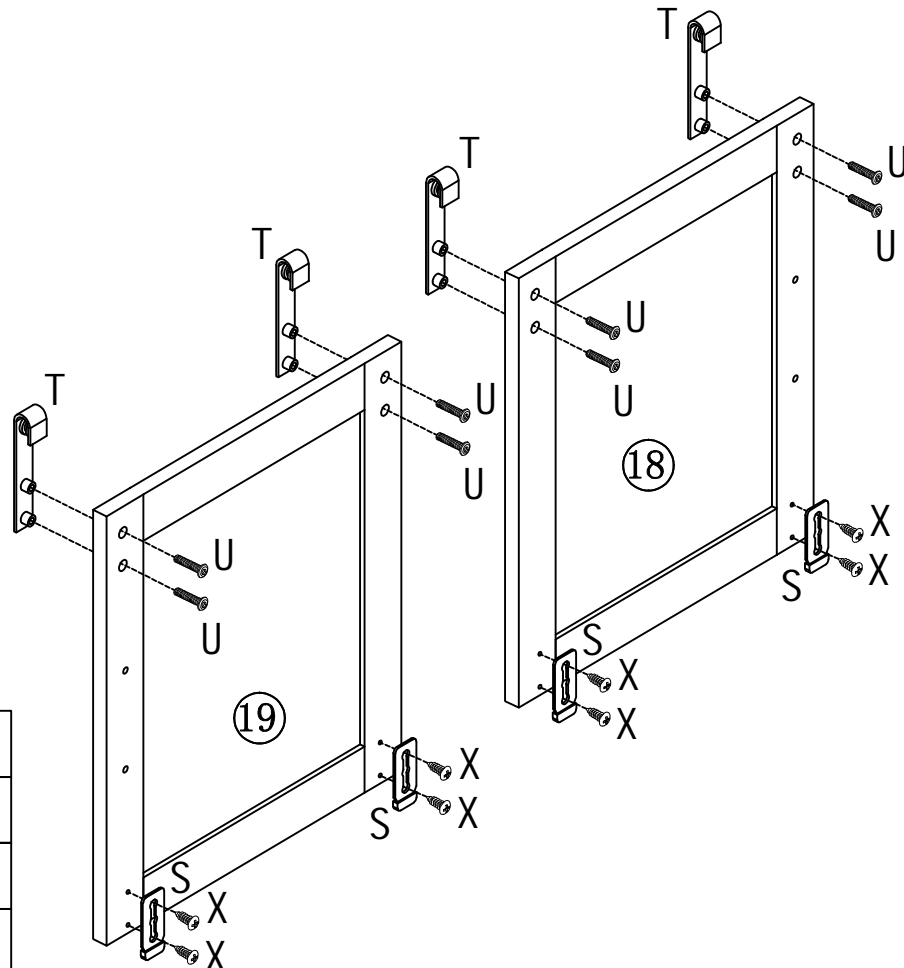
X2



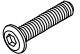

	F*8PCS
	N DL*2PCS
	N DR*2PCS

STEP41

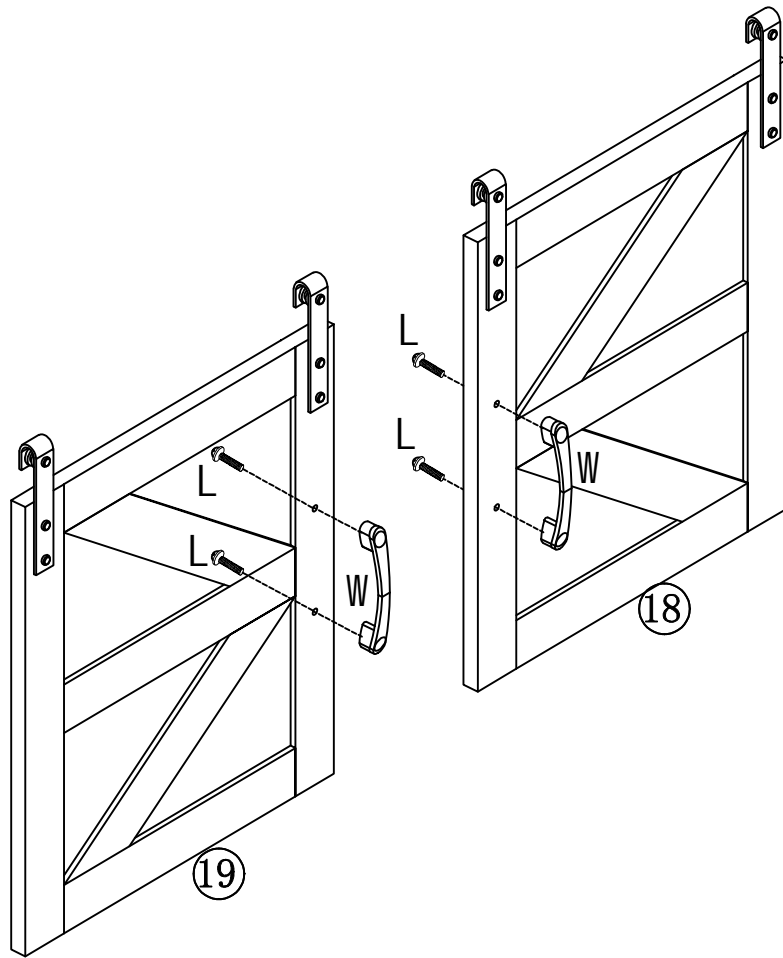




STEP42



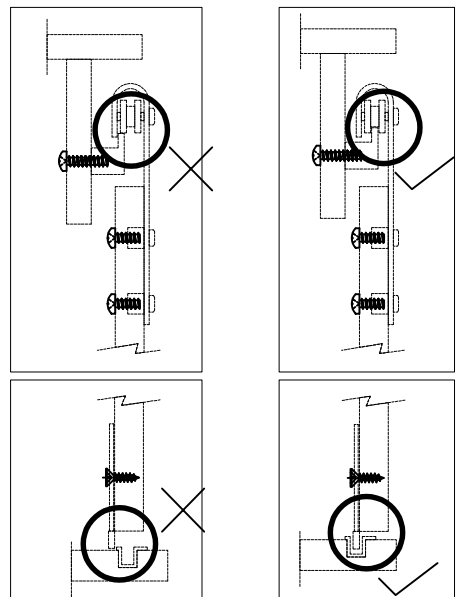
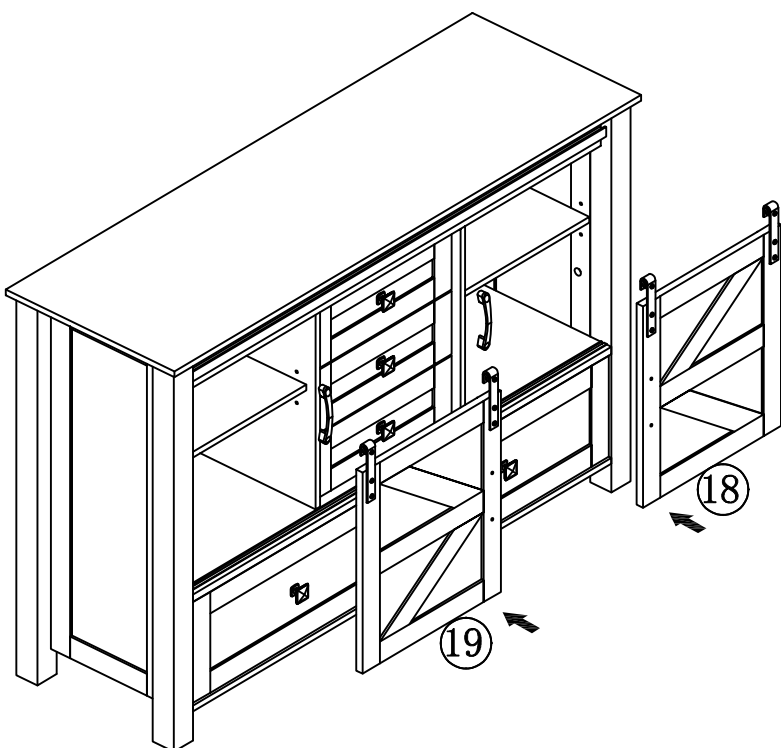
	S*4PCS
	X*8PCS
	U*8PCS
	T*4PCS

STEP43

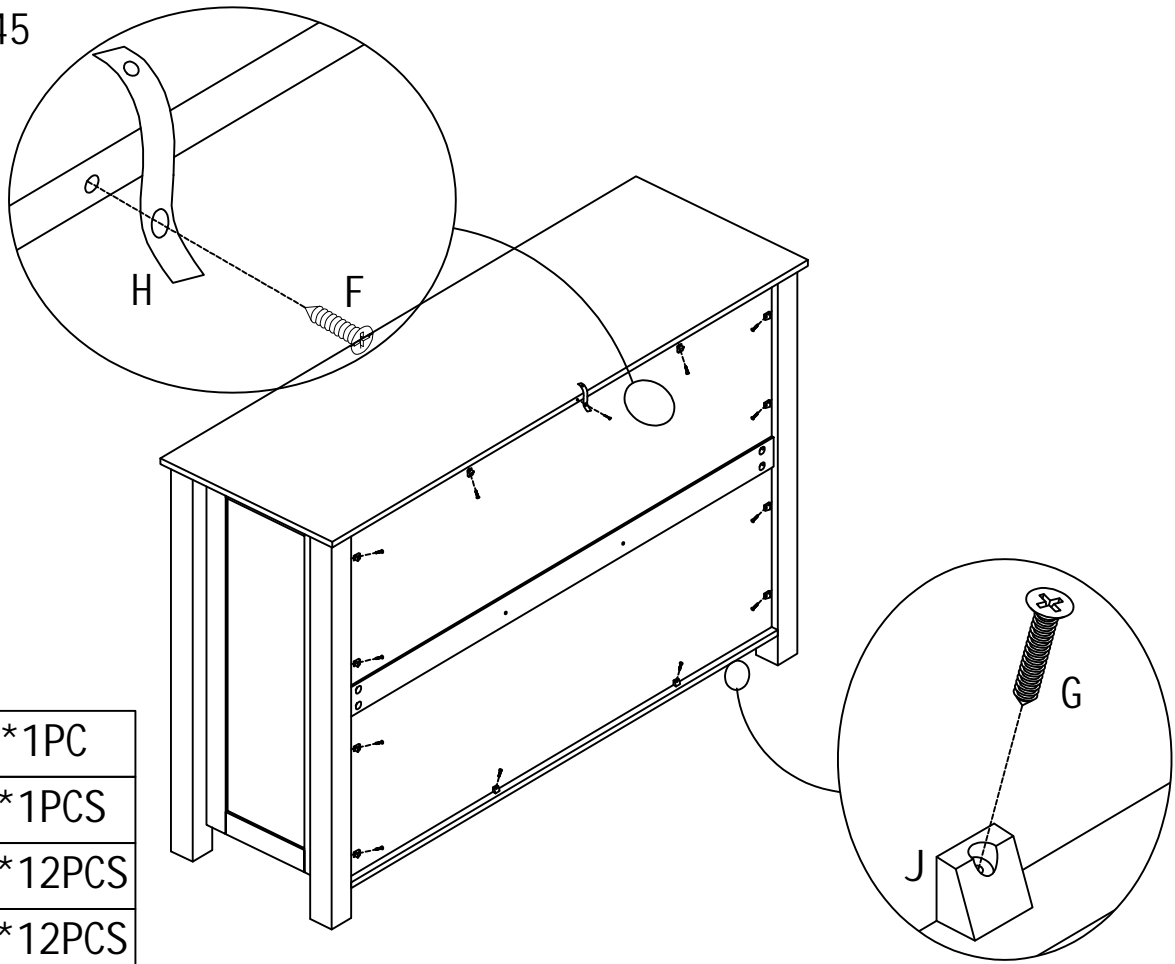






	L*4PCS
	W*2PC

STEP44

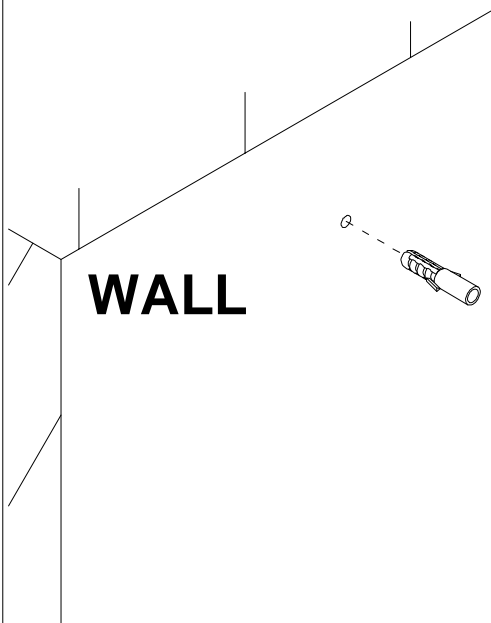


STEP45



	H*1PC
	F*1PCS
	G*12PCS
	J*12PCS

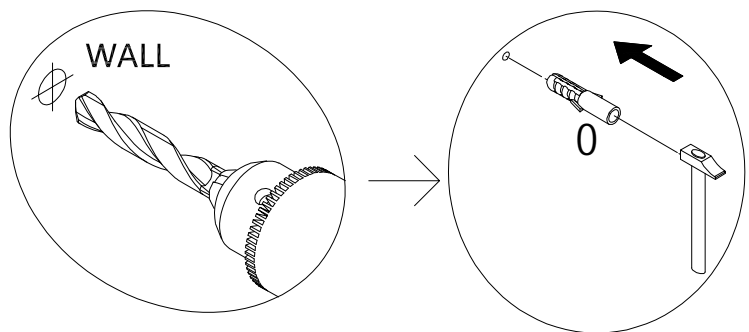
STEP46




WALL

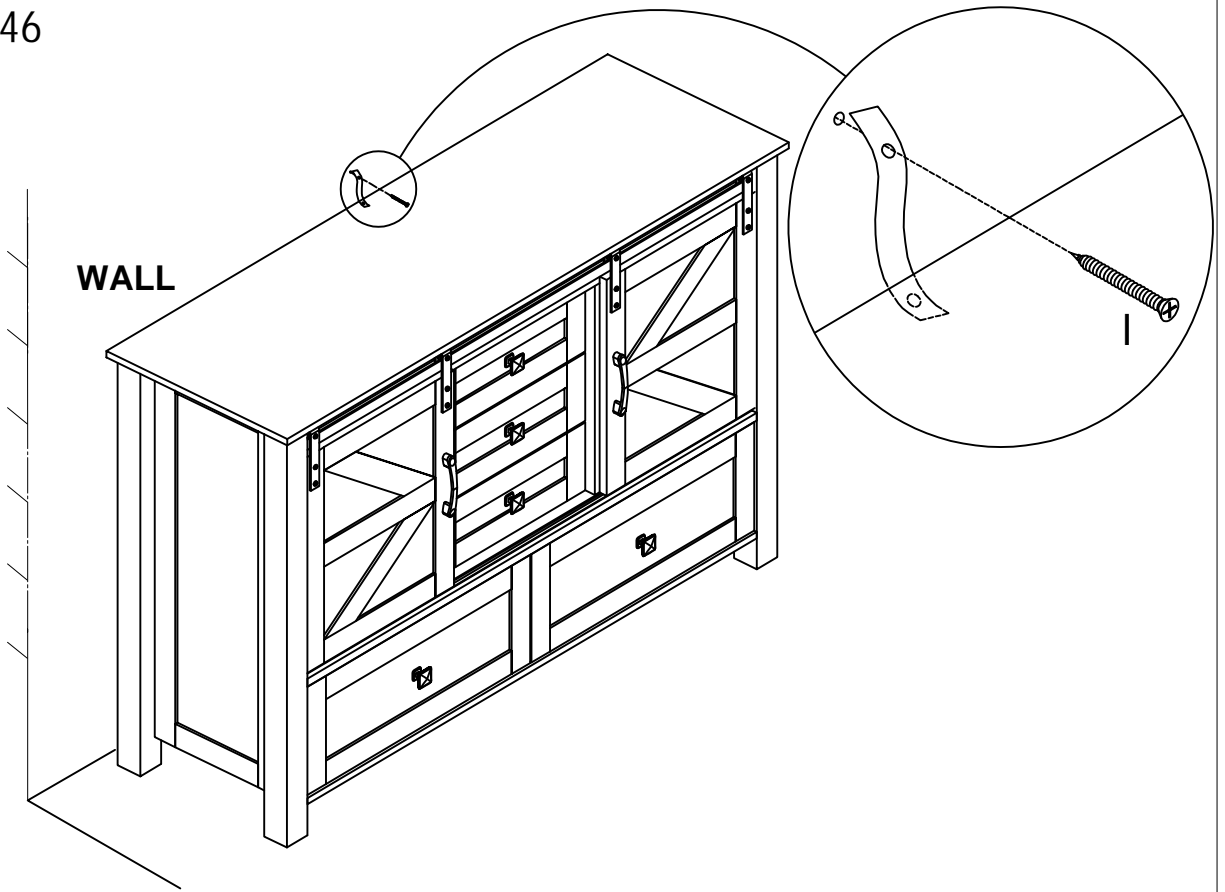
EN: Drill a hole on the wall at the required position for anti-falling device installation.

DE: Bohren Sie ein Loch an der gewünschten Position in die Wand, um die Absturzsicherung zu installieren



	O*1PC
---	-------

STEP46



WALL



1*1PC