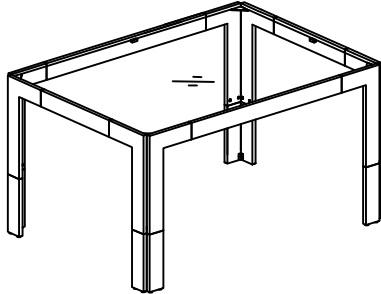


ASSEMBLY INSTRUCTIONS

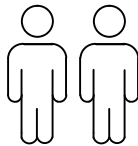
GOLD DINING TABLE CHROME DINING TABLE



+ Do Not Use PowerTools



+ Suggested Adults



NOTE:

- 1 Read instructions cover to cover.
- 2 Save all packaging until assembly is completed.

1 IMPORTANT SAFETY INFORMATION

Do not assemble the product if any of the following parts arrived damaged:

Part # -Table Top

Tempered Glass Warning: Should the tempered glass chip at ANY point throughout ownership, please immediately discontinue use of the table to avoid injury.

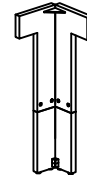
CAUTION : DO NOT place hot objects (100°F or more) directly on the glass surface.

2 IMPORTANT ASSEMBLY INFORMATION

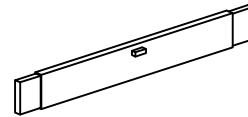
Assembly Step Use Bolt A to connect Part 1 to Part 4.

+ Parts Included

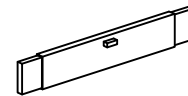
- ① Leg
4PCS



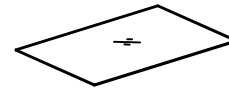
- ② Acrylic Long Rail
2PCS



- ③ Acrylic Short Rail
2PCS



- ④ Glass Top
1PC



+ Hardware Included

- A Bolt(1/4"*3/4")
16 PCS



- B Washer(1/4")
16 PCS



- C Spring Washer(1/4")
16 PCS



- D Allen Key(4mm)
1 PC



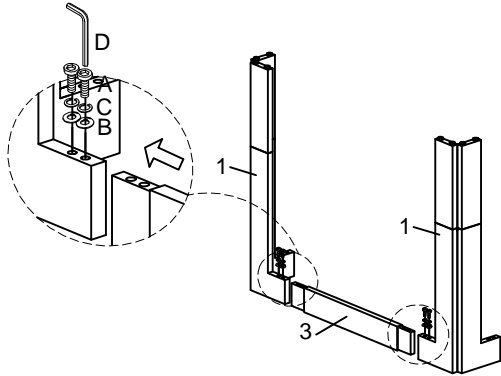
- E Antiskid Pad
8 PCS



ASSEMBLY INSTRUCTIONS

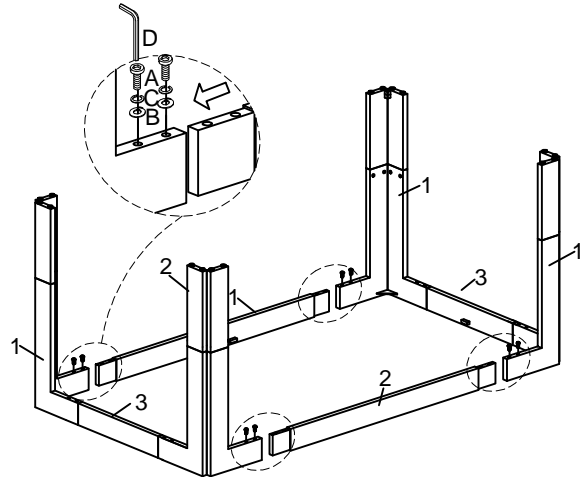
GOLD DINING TABLE
CHROME DINING TABLE

①



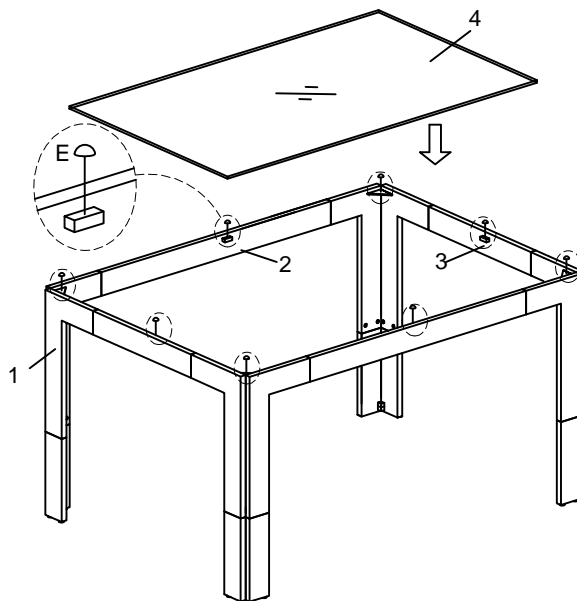
Note: Do not fully tighten the bolts at this step.

②



Note: Do not fully tighten the bolts at this step.

③



Note: Fully tighten all bolts at this step.