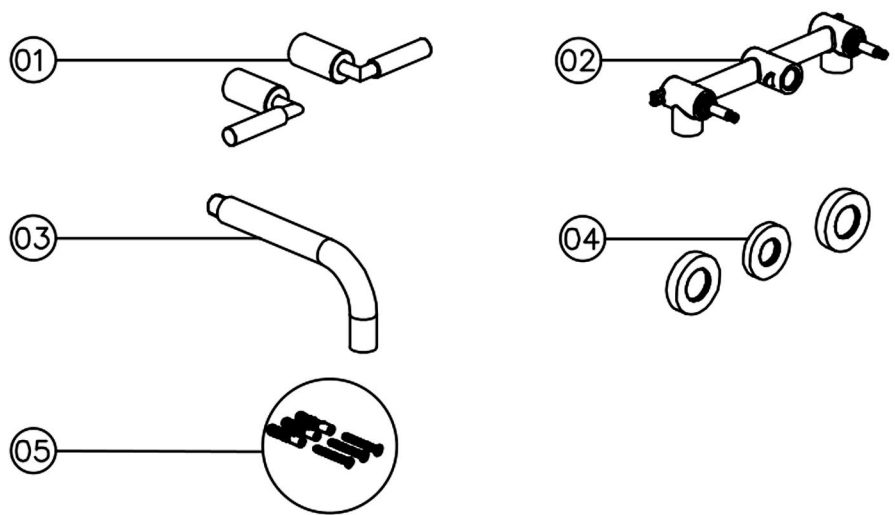


User's Manual



BEFORE INSTALLATION

S.N.	Name	Qty
1	Handle	2
2	Valve	1
3	Spout	1
4	Cover Plate	3
5	Tool Kit	1

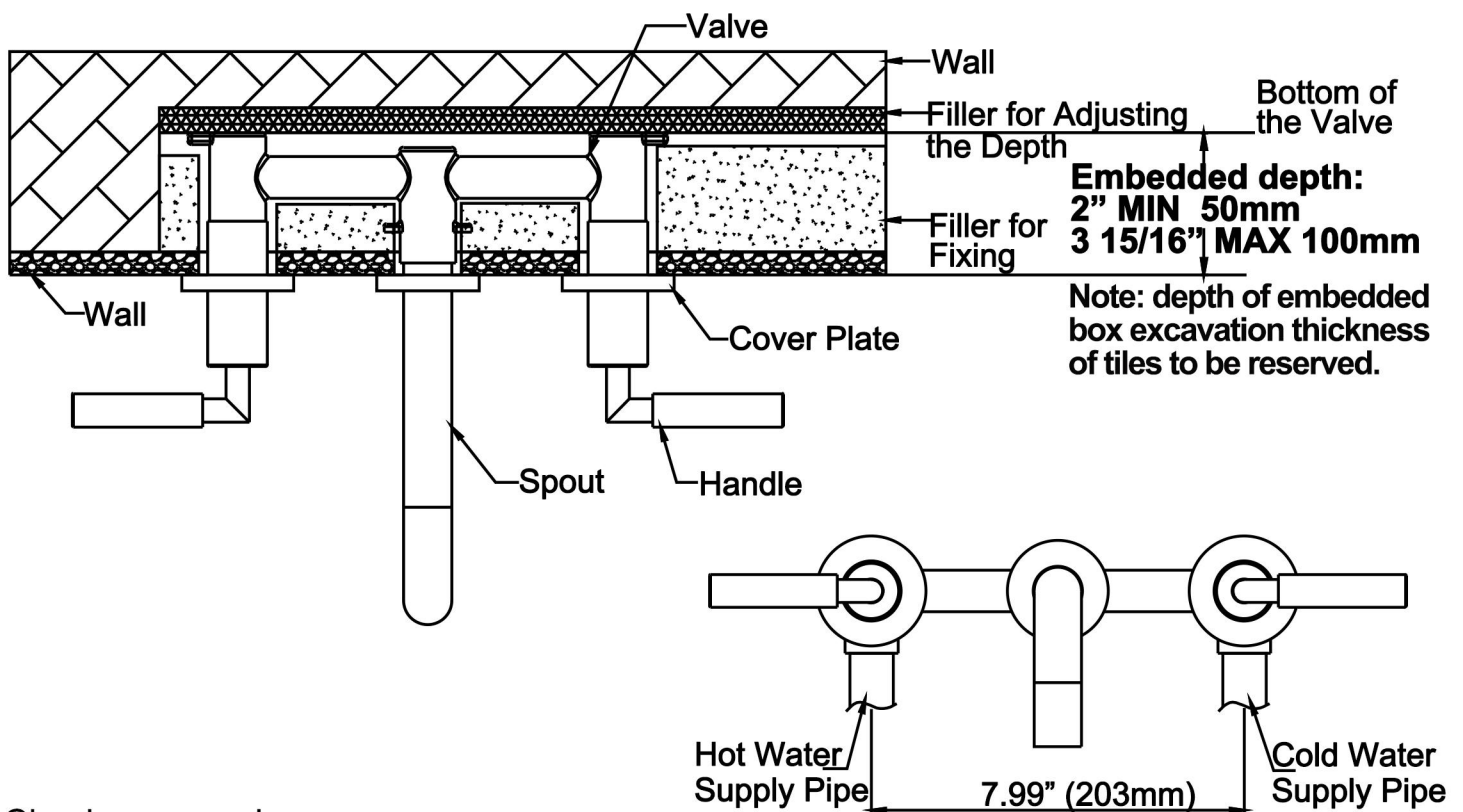


Operating conditions:

1. Dynamic pressure: under $0.1 \pm 0.01 \text{ Mpa}$ water pressure, basin, washing and kitchen taps (with accessories), flow $\leq 0.15 \text{ L/S}$.
2. Dynamic pressure: under $0.3 + 0.02 \text{ Mpa}$ water pressure, bath use $\geq 0.33 \text{ L/S}$; basin, bidet, sink, shower nozzle $\geq 0.20 \text{ L/S}$.
3. The recommended use temperature for the inlet water temperature is $4^\circ\text{C} \sim 80^\circ\text{C} / 39.2^\circ\text{F} \sim 176^\circ\text{F}$.

Precautions:

1. Before installing the faucet, be sure to remove the impurities and sludge in the embedded water pipe.
2. After installation, please check whether the connections are tightly connected and whether the pipeline leaks.
3. When using, make sure that the water inlet hose cannot be twisted to prevent the hose from rupturing.



Check accessories

Standard List of Accessories:

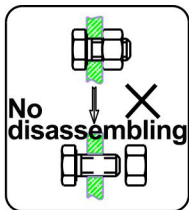
When you open the product packaging, please check whether the objects in it are consistent with the main body and accessories you purchased. If there is any inconsistency, please contact our company or our distributor.

Note: 1. Accessories are subject to change without prior notice if the change does not affect usage;

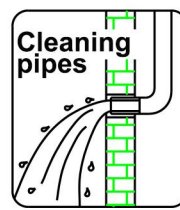
2. The appearance of the product is subject to the physical objects you receive, and the schematic diagram is only for reference.

INSTALLATION STEPS

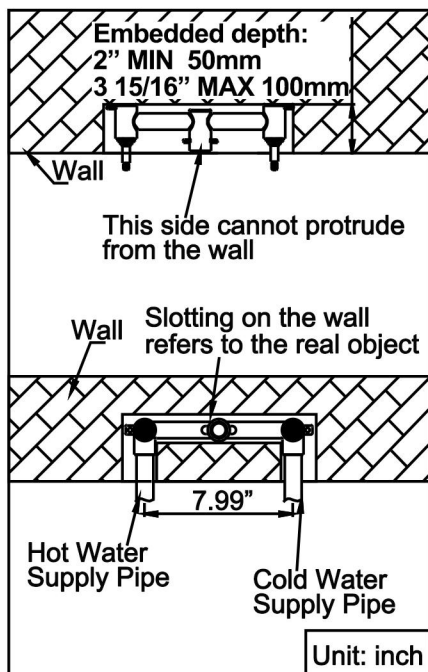
This product has been inspected and debugged by the factory to the best condition. Please do not disassemble and assemble it yourself.



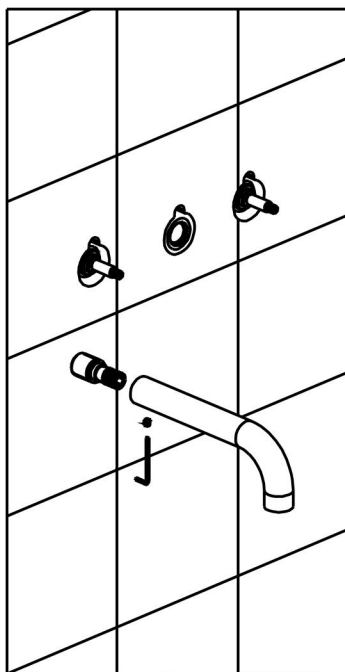
Before installing the product, please be sure to remove sundries and sludge from the water pipe to prevent sundries from blocking the product.



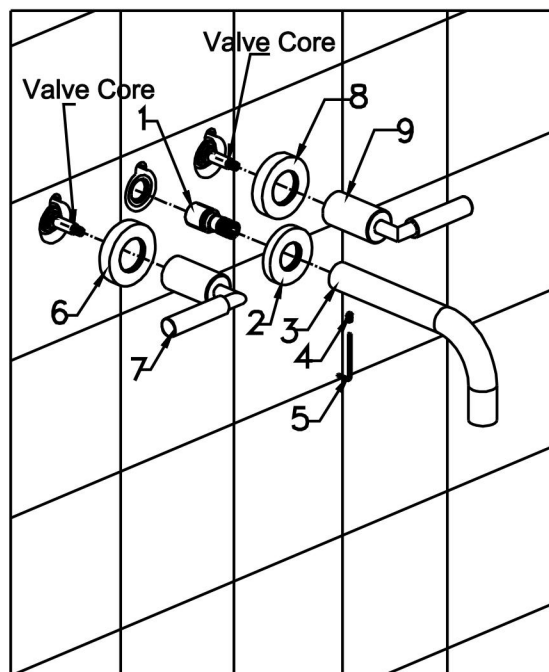
①



②



③

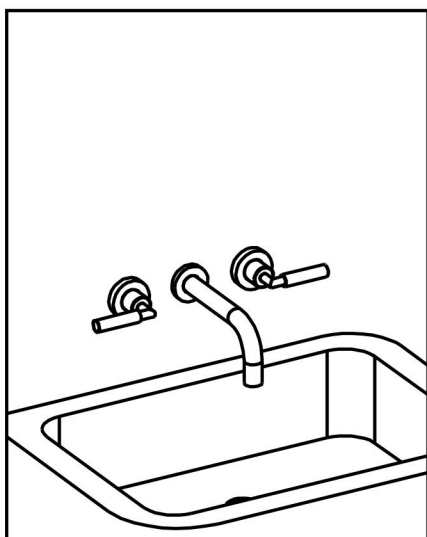


1. Make a groove in the wall as shown, the depth must be consistent with the valve body, refer to the real item. Connect the pipes when embedding the valve, and check if there is any leakage.

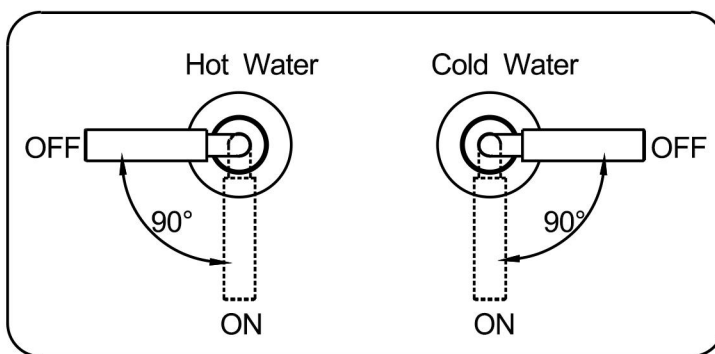
2. Seal the wall, and unscrew the spout as the picture shown.

3. Install the part No.1 to No.9 in order.
 3.1 Part No.1, wrap PTFE tape on the thread to seal and connect it to the valve.
 3.2 Put No.2 and No.3 together, connect them to No.1, and tighten with the No.4. Same steps with the No.6 to 9.
 3.3 Test to see if there is leakage after completing the installation steps above.

④

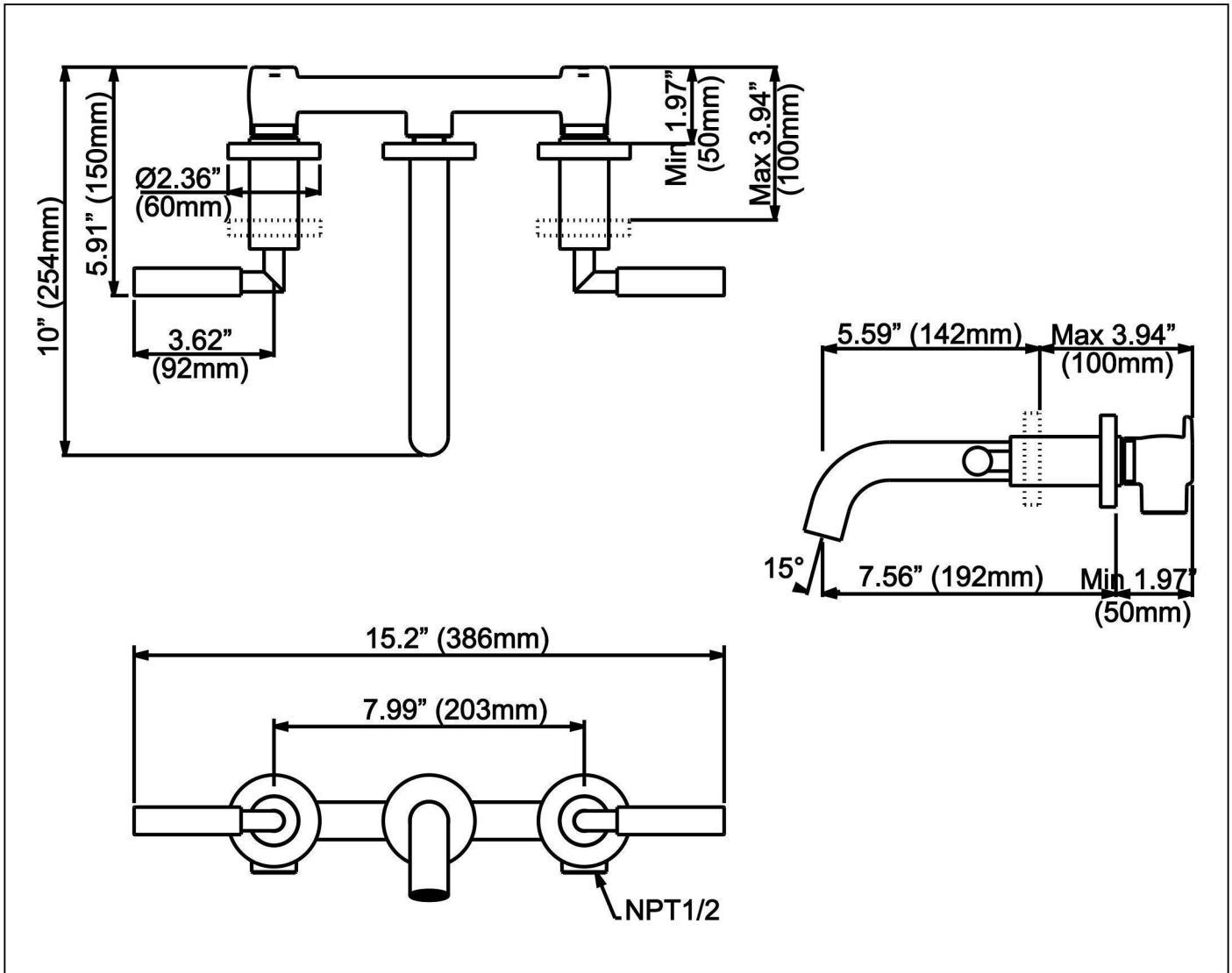


4. Faucet should be like this when everything is done.



Operation guide for handles.

INSTALLATION DIMENSION



CLEANING CARE

In order to keep the appearance of product clean, bright and good performance, please take care of the product as follows;

1. Rinse with water only and dry with soft cotton cloth;
2. Use mild liquid and colorless glass cleaner to remove surface dirt and scale film, or use polish without abrasive effect;
3. Do not use abrasive detergent, polish, emery cloth, paper towel or scraper, etc;
4. Do not use acid cleaner, or cleaner and soap with insoluble gran etc;
5. In the process of use, mud may accumulate in the bubbler and make the water flow show, The bubbler can be unscrewed, rinsed with water, and then installed back in place.



