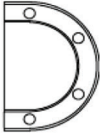
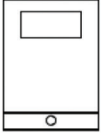








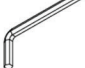
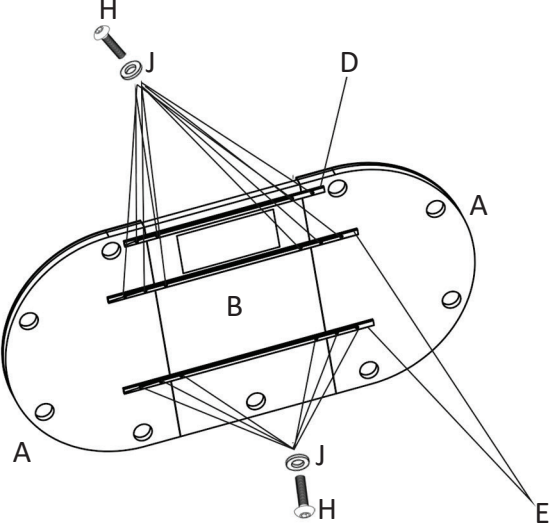
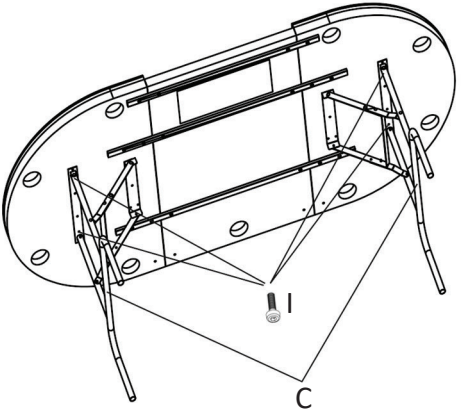
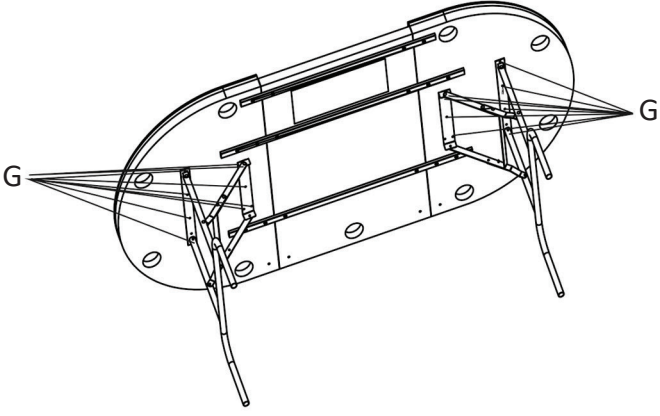


<p>Ax2</p> 	<p>Bx1</p> 	<p>Cx2</p> 	<p>Dx1</p>  <p>$\frac{880}{34.6}$</p>	<p>Ex2</p>  <p>$\frac{1100}{43.3}$</p>	<p>Fx1</p> 
<p>Gx18</p>  <p>M5x $\frac{16}{0.6}$</p>	<p>Hx16</p>  <p>M6x $\frac{25}{1.0}$</p>	<p>Ix4</p>  <p>M6x $\frac{16}{0.6}$</p>	<p>Jx16</p> 	<p>Kx1</p> 	<p>$\frac{\text{mm}}{\text{inch}}$</p>
<p>①</p> 			<p>②</p> 		
<p>③</p> 			<p>④</p> 