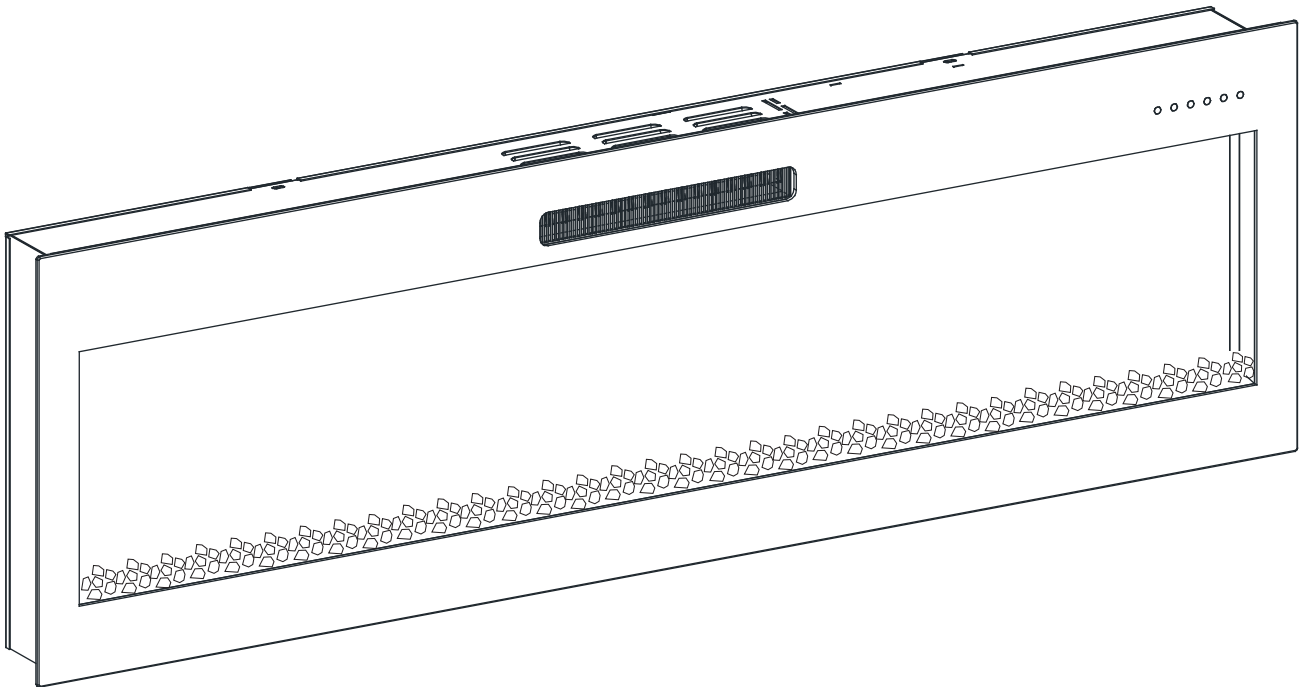


# USE AND CARE GUIDE

---

## ELECTRIC FIREBOX



---

**CONSUMER SAFETY INFORMATION: PLEASE READ THIS MANUAL BEFORE INSTALLING AND OPERATING THIS APPLIANCE. FAILURE TO FOLLOW THESE INSTRUCTIONS MAY RESULT IN A POSSIBLE ELECTRIC SHOCK, FIRE HAZARD, AND/OR INJURY AND WILL VOID THE WARRANTY.**

**WARNING: IF THE INFORMATION IN THIS MANUAL IS NOT FOLLOWED, AN ELECTRIC SHOCK OR FIRE MAY RESULT IN PROPERTY DAMAGE, PERSONAL INJURY, OR LOSS OF LIFE.**

**THIS INSTRUCTION BOOKLET CONTAINS IMPORTANT SAFETY INFORMATION. PLEASE READ AND KEEP FOR FUTURE REFERENCE.**

# IMPORTANT INSTRUCTIONS

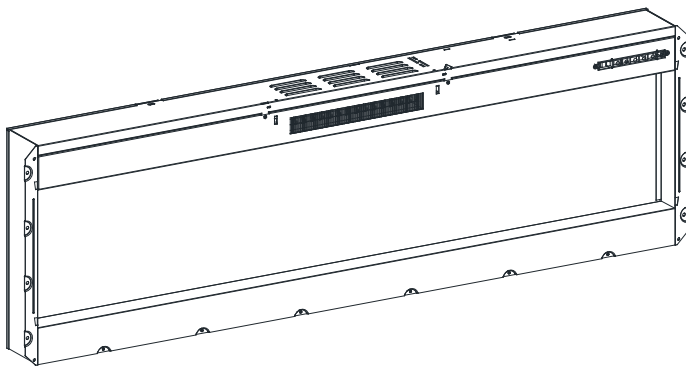
When using electrical appliances, basic precautions should always be followed to reduce the risk of fire, electrical shock, and/or injury including the following:

1. Read all instructions before using this heater.
2. This heater is hot when in use. To avoid burns, do not let bare skin touch hot surfaces. If provided, use handles when moving this heater. Keep combustible materials, such as furniture, pillows, bedding, papers, clothes, and curtains at least 3 feet (0.9 m) from the front of the heater and keep them away from the sides and rear.
3. Extreme caution is necessary when any heater is used by or near children or invalids and whenever the heater is left operating and unattended.
4. Always unplug heater when not in use.
5. Do not operate any heater with a damaged cord or plug or after the heater malfunctions, has been dropped or damaged in any manner. Discard heater, or return to authorized service facility for examination and/or repair.
6. Do not use outdoors.
7. This heater is not intended for use in bathrooms, laundry areas and similar indoor locations. Never locate heater where it may fall into a bathtub or other water container.
8. Do not run cord under carpeting. Do not cover cord with throw rugs, runners, or similar coverings. Do not route cord under furniture or appliances. Arrange cord away from traffic area and where it will not be tripped over.
9. To disconnect heater, turn controls to off, then remove plug from outlet.
10. Connect to properly grounded outlets only.
11. Do not insert or allow foreign objects to enter any ventilation or exhaust opening as this may cause an electric shock or fire, or damage the heater.
12. To prevent a possible fire, do not block air intakes or exhaust in any manner. Do not use on soft surfaces, like bed, where opening may become blocked.
13. This heater has hot and arcing or sparking parts inside. Do not use it in areas where gasoline, paint, or flammable liquids are used or stored.
14. Use this heater only as described in this manual. Any other use not recommended by the manufacturer may cause fire, electric shock, or injury to persons.
15. Always plug heaters directly into a wall outlet/receptacle. Never use with an extension cord or relocatable power tap (outlet/power strip).
16. This heater, when installed, must be electrically grounded in accordance with local codes or, in the absence of local codes, with the current CSA C22.1 Canadian Electrical Code or for USA installations, follow local codes and the National Electrical Code, ANSI/NFPA NO.70.
17. Under no circumstances should this heater be modified. Parts having to be removed for servicing must be replaced prior to operating this fireplace again.
18. There is a protective thermostat limiter inside the heater. When the inner temperature over heat, the thermostat limiter will shut off the power supply to avoid the risk of fire damage to the appliance.
19. If the supply cord is damaged, it must be replaced by the manufacturer, it's service agent or similarly qualified persons in order to avoid a hazard.
20. Any repairs to this fireplace should be carried out by a qualified service person.
21. This heater should not be used as a drying rack for clothing. Christmas stockings or decorations should not be hung in area of it.
22. The heaters must not be located immediately below a socket-outlet.

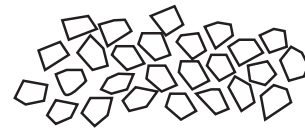
# SAVE THESE INSTRUCTIONS

# PACKAGE CONTENTS

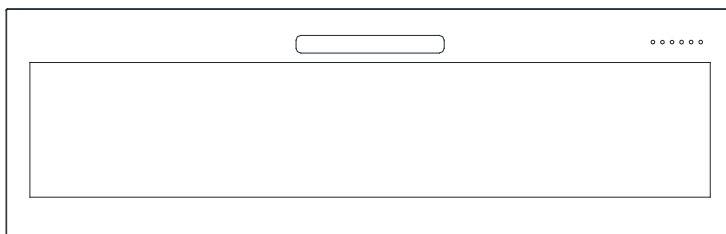
DESCRIPTION	QTY
Fireplace	1
Glass Front	1
Acrylic Crystals	1 Bag
Hardware Screw Bag	1 Bag
Remote Control	1
Manual	1



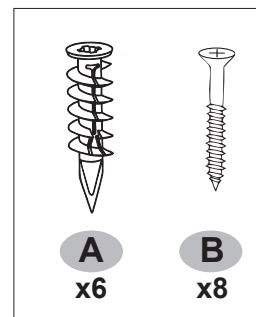
Fireplace



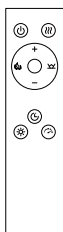
Acrylic Crystals



Glass Front



Hardware Screw Bag



Remote Control



Manual

# SPECIFICATIONS

Voltage: 120VAC

Rating: 1400 Watts

Frequency: 60Hz

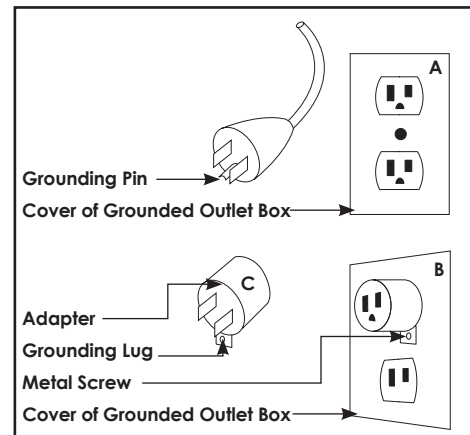
## PRE-INSTALLATION

### GROUNDING INSTRUCTIONS:

This heater is for use on 120 volts. The cord has a plug as shown at (A) in figure 1. An adapter as shown at (C) is available for connecting three-blade grounding-type plugs to two-slot receptacles. The green grounding lug extending from the adapter must be connected to a permanent ground such as a properly grounded outlet box. The adapter should not be used if a three-slot grounded receptacle is available.

**NOTE: Adapters are NOT for use in Canada**

Figure 1



### PLANNING INSTALLATION

Before you begin assembly, locate the instructions and hardware. Compare all parts with the Hardware Included and Package Contents lists. Be sure you have all the parts and can identify them. A helping hand is always good. Assemble your fireplace with an adult assistant if possible. Some pieces are heavy and will need to be held by a helper. Assembly time will take approximately 15-30 minutes.



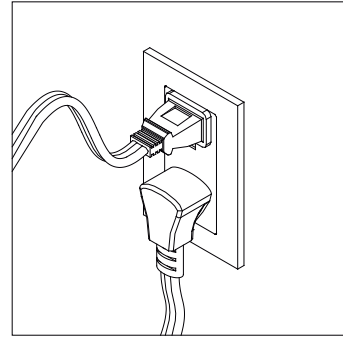
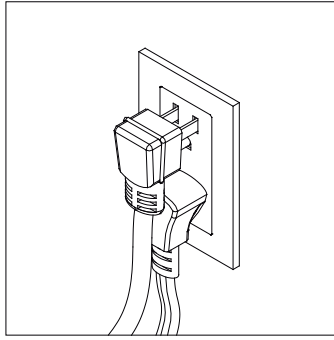
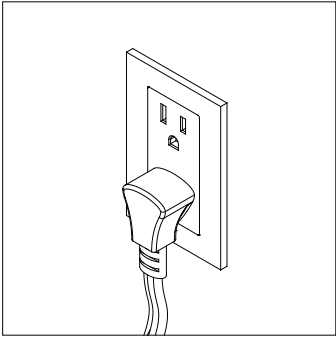
**CAUTION:** This carton includes a GLASS panel! Always use extreme caution when handling glass. Failure to do so could result in personal injury or property damage.



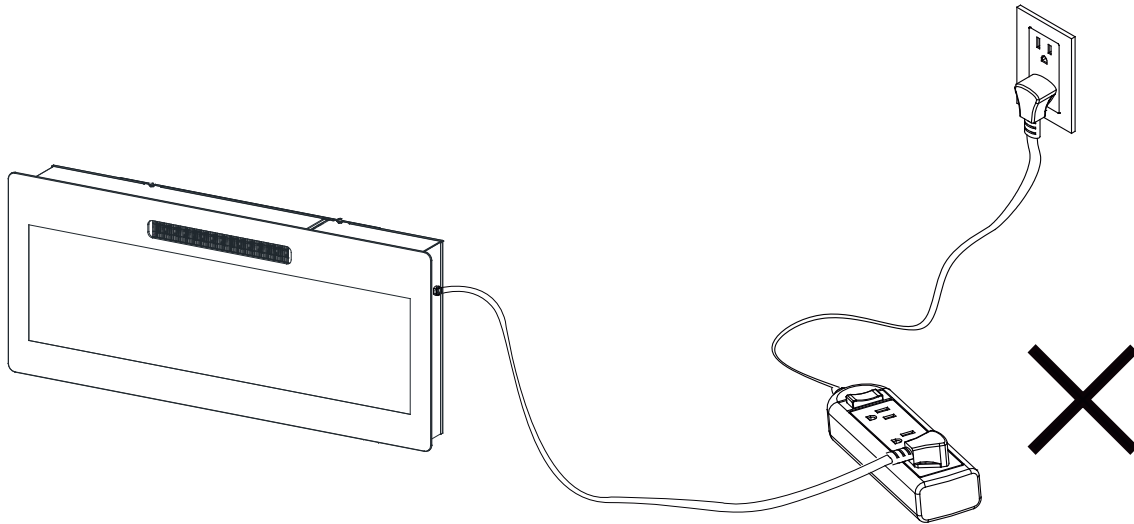
**WARNING:** Do not install unit on shelves, raised platforms, beds, blankets, pillows etc. Keep combustible materials such as furniture, bedding, papers, clothes and curtains at least 3 feet (914 mm) from the fireplace.



**Do not share a socket with other appliances when using electric fireplaces, please use a dedicated socket.**



**Never use with an extension cord or relocatable power tap (outlet / power strip).**



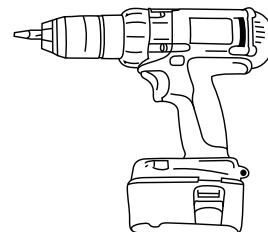
**TOOLS REQUIRED (NOT INCLUDED)**



Safety goggles



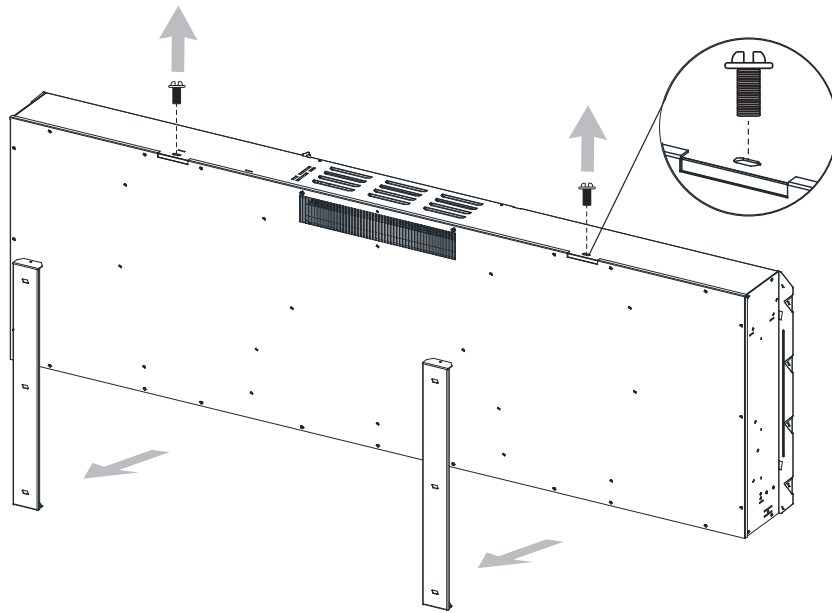
Phillips screwdriver



Power drill

# INSTALLATION (WALL MOUNTING)

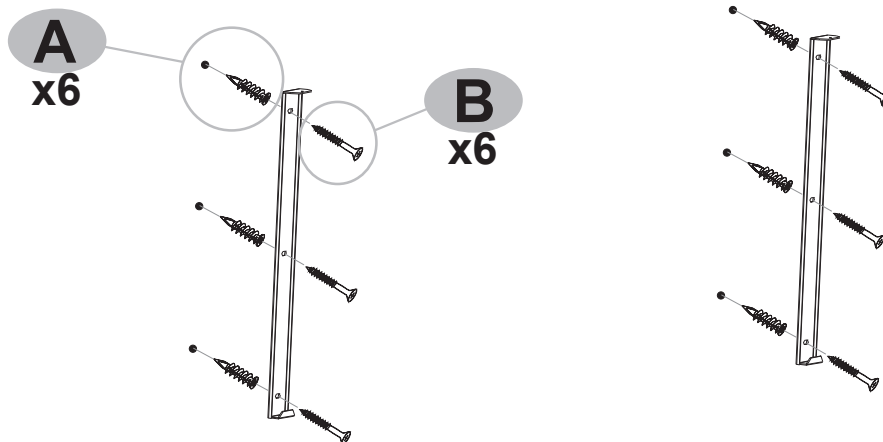
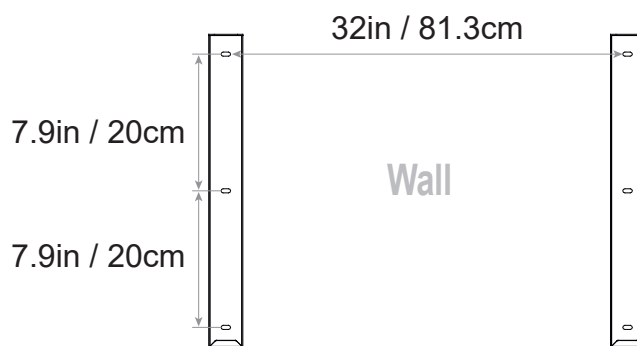
1. Remove the mounting bracket from the back of the fireplace.



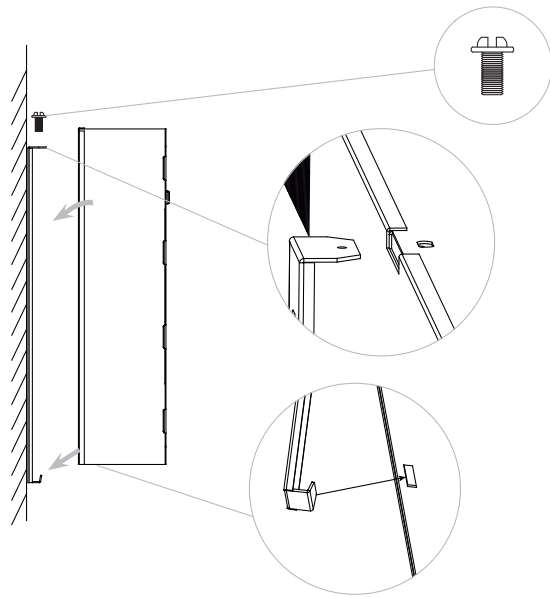
2. Attach the mounting bracket to a wall.

**IMPORTANT:** This unit is designed to be securely attached to a wall with a fixed structure. Failure to do, so might result in personal injury and/or property damages.

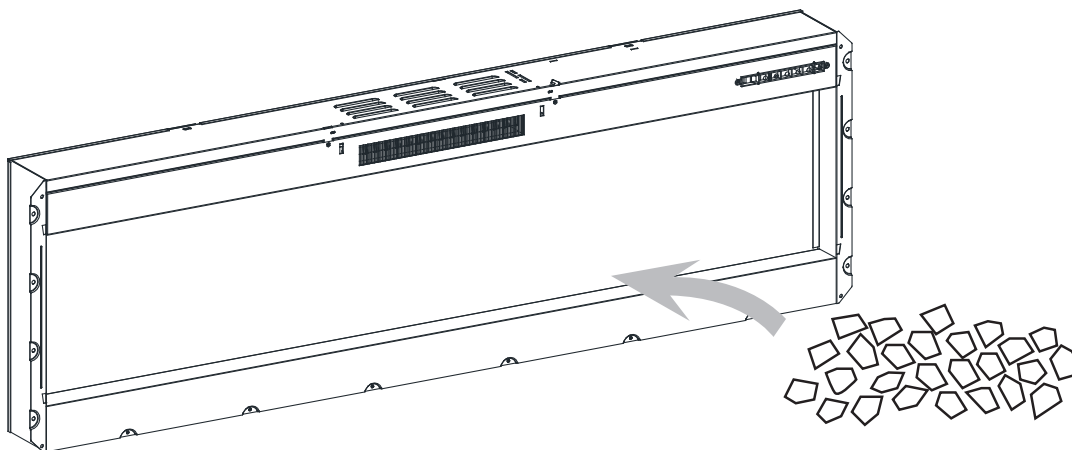
**NOTE:** Wall anchor is not needed if the bracket is to be mount directly on the studs.



3. Hang the fireplace on the mounting bracket. Secure the fireplace to the mounting bracket with the two screws removed in Step 1.

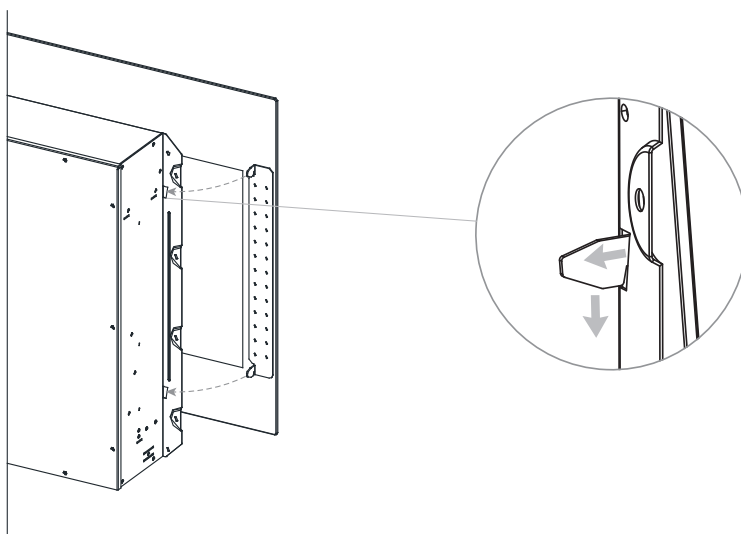


4. Place decorative crystals inside the fireplace.

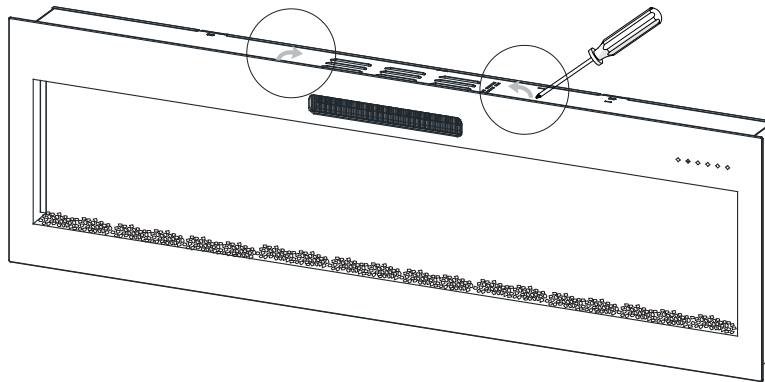
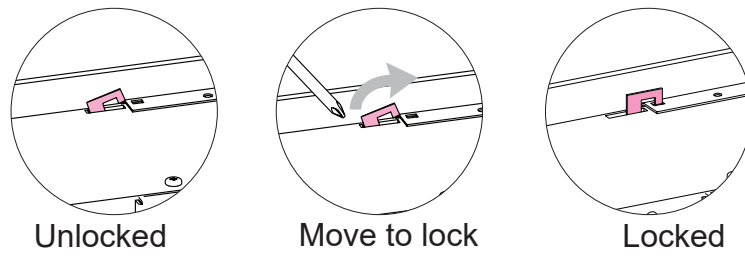


5. Put the glass front panel on the fireplace.

**CAUTION:** Careful when handling glass to prevent injury or damage.



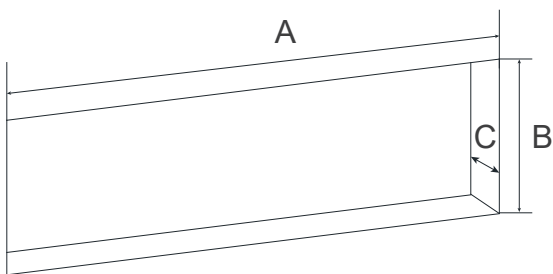
6. Lock glass in place.



## INSTALLATION (IN-WALL)

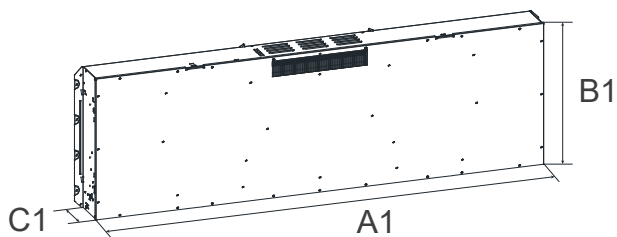
**WARNING:** Cabinet construction and electrical outlet wiring must comply with local building codes regulations to reduce the risk of fire, electrical shock and injury to persons.

Cabinet - in / cm



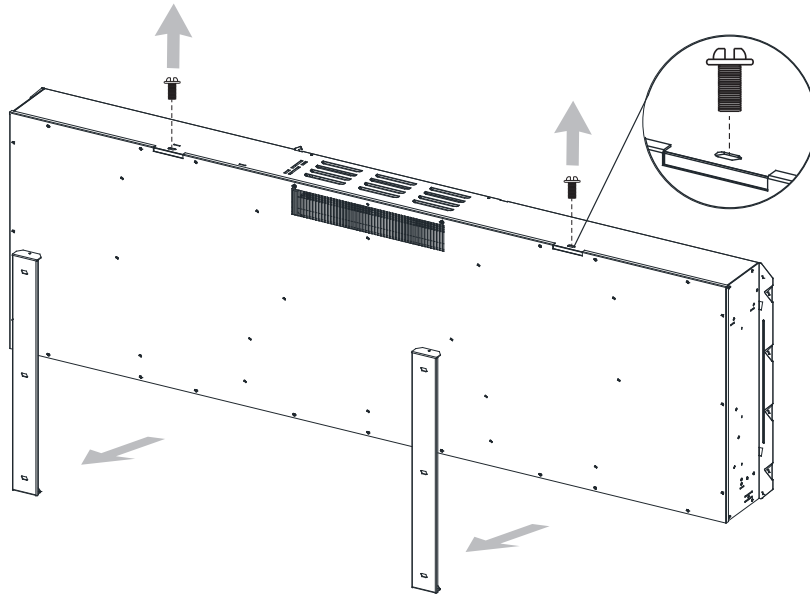
Model	A	B	C
RV48P80L-C5	47.8/121.5	18.4/46.7	6.5/16.5
RV60P80L-C5	57.8/146.9	18.4/46.7	6.5/16.5

fireplace - in / cm

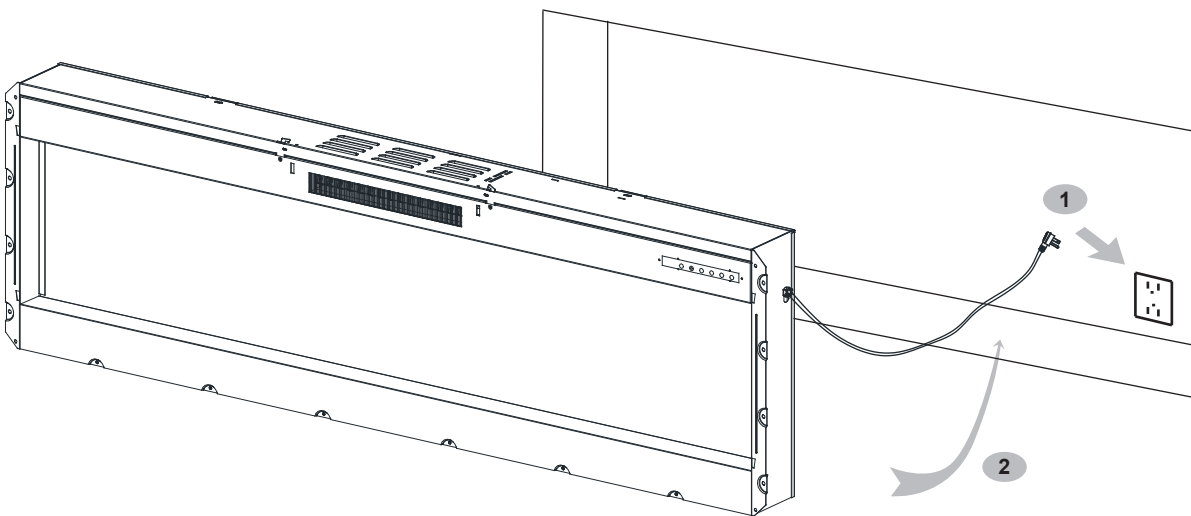


Model	A1	B1	C1
RV48P80L-C5	47.3/120.3	18.1/46	4.7/11.9
RV60P80L-C5	57.4/145.7	18.1/46	4.7/11.9

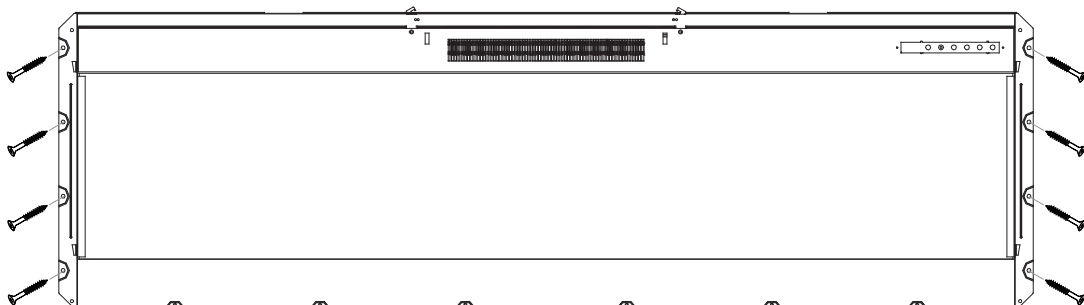
1. Remove the mounting bracket from the back of the fireplace.



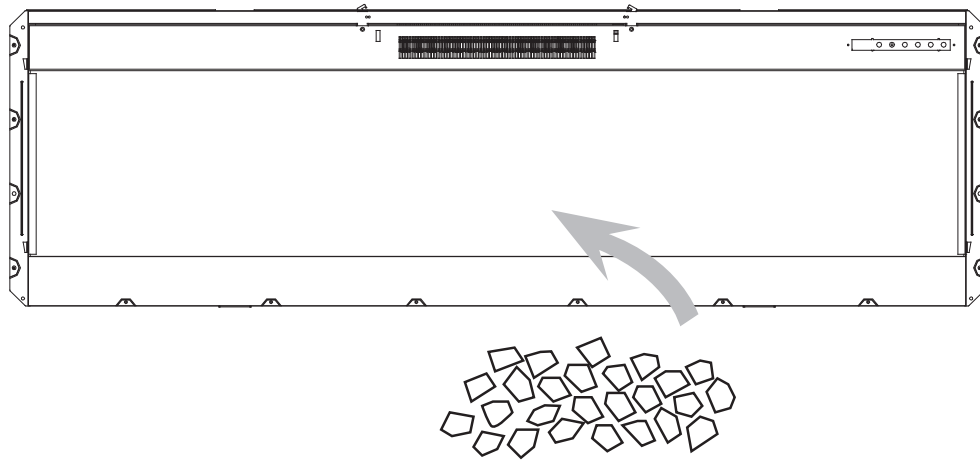
2. Plug into the power supply and push the fireplace into the cabinet .



3. Use supplied screws to secure the fireplace to cabinet.

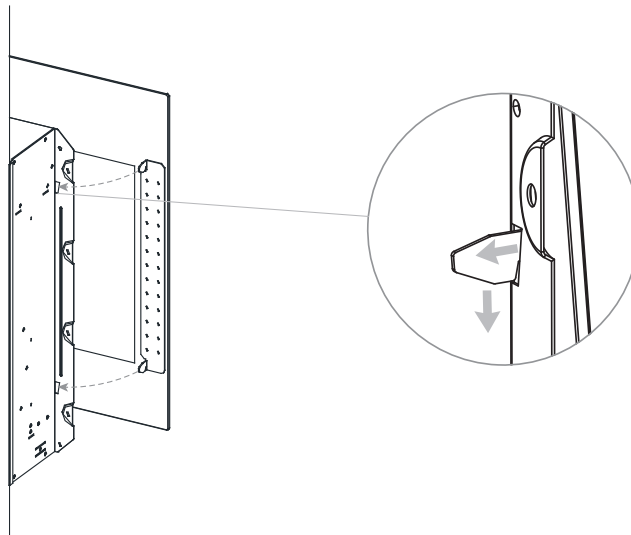


4. Place decorative crystals inside the fireplace.

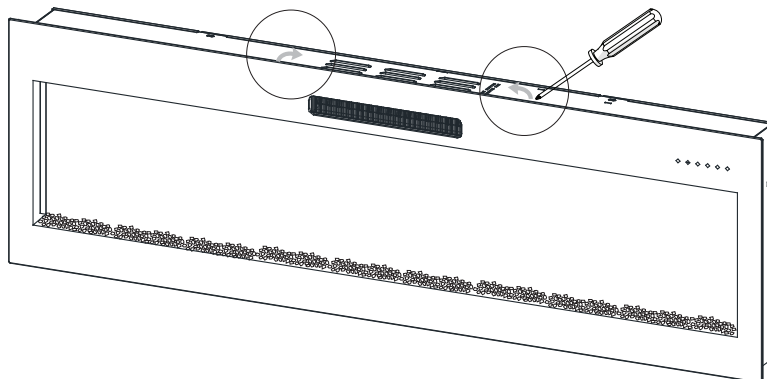
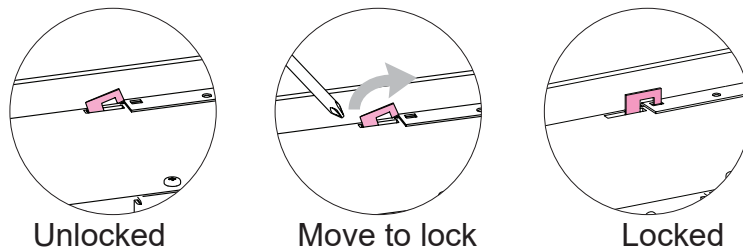


5. Put the glass front panel on the fireplace.

CAUTION: Careful when handling glass to prevent injury or damage.



6. Lock glass in place.



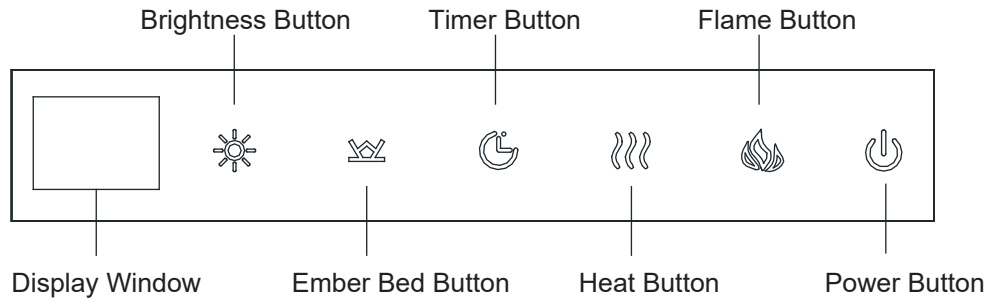
# OPERATING INSTRUCTION

## Control Panel

The control panel is located on the top right corner of the unit.

To control the unit, touch any button to wake up the control panel. The power button will flash, and all other buttons will light up.

The control panel will turn off after 10 seconds of inactivity.



### Power Button

The Power Button turns the fireplace ON and OFF. When the fireplace is OFF, touch any button to wake up the control panel, and the power button will flash. Then touch the Power Button to turn on the fireplace. Touch the Power Button again to turn off the fireplace.

The fireplace has a built-in memory function and when turned back on it starts at the last used settings (except timer). If the fireplace is disconnected from the main power source, it reverts to the default settings.

### Flame Button

This button is used to turn flames ON, to alter the flame color and to turn flames OFF. Press the Flame button multiple times to cycle through color rotation option (01), 15 color options (02, 03, 04, 05, 06, 07, 08, 09, 10, 11, 12, 13, 14, 15, 16) and flames OFF.

### Heater Button

This button is used to turn heater ON, to alter the temperature. With temperature displayed and blink, Press the heat button multiple times to cycle through: 82 °F -ON - 64 °F -66 °F -68 °F -70 °F -72 °F -74 °F -76 °F -78 °F -80 °F (27 °C -ON - 18 °C -19 °C -20 °C -21 °C -22 °C -23 °C -24 °C -25 °C -26 °C).

ON means the heater keep working.

With temperature displayed and not blink, Press the heat button once to turn heater OFF.

**Temperature unit convert function:** The heater includes Celsius and Fahrenheit temperature scales. To change the temperature unit, turn the heater on, and then press and hold the Power Button for 5 seconds. The current temperature unit display will flash 3 times and convert to the other temperature unit. Note: The remote control cannot convert the temperature units.

**Lock and Unlock Heater Function:** Press and hold the heater button for 10 seconds. The ember bed will flash 6 times, indicating that the heater function is locked. To unlock the heater function, press and hold the heater button for 10 seconds. The ember bed will flash 6 times, indicating the heater function is unlocked. Note: The remote cannot set the lock and unlock heater function.

### **Timer Button**

The TIMER has adjustable setting at range from 1 hour to 9 hours and OFF. As shown the following: 1h-2h-3h-4h-5h- 6h-7h-8h-9h-OFF. Once you have set the timer, and the timer is up, it will close all the functions and enter standby mode. In this mode, you should touch the power button to restart the fireplace.

### **Ember Bed Button**

This button is used to turn ember bed ON, to alter the ember bed color and to turn ember bed OFF. Press the Ember Bed button multiple times to cycle through color rotation option (01), 15 color options (02, 03, 04, 05, 06, 07, 08, 09, 10, 11, 12, 13, 14, 15, 16) and ember bed OFF.

### **Brightness Button**

This button is used to adjust the brightness of flame and ember bed.

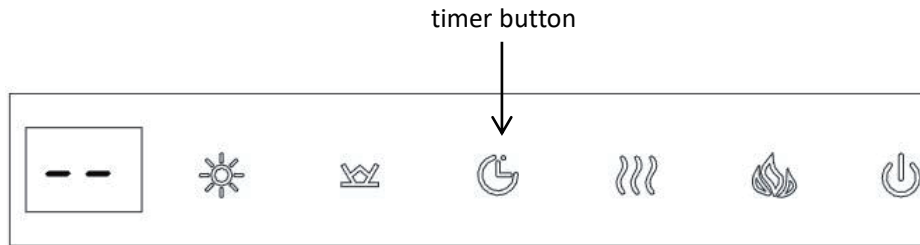
When flame is on and ( 02, 03, 04, 05, 06, 07, 08, 09, 10, 11, 12, 13, 14, 15, 16) is displayed, press the Brightness Button to change the brightness of the flames from the available options: L5, L4, L3, L2,L1. L5 is the brightest and L1 is the darkest.

When ember bed is on and ( 02, 03, 04, 05, 06, 07, 08, 09, 10, 11, 12, 13, 14, 15, 16) is displayed, press the Brightness Button to change the brightness of the ember bed from the available options: d5, d4, d3, d2,d1. d5 is the brightest and d1 is the darkest.

NOTE: Brightness control is not operational when the flame setting at 01 and the ember bed light effect setting at 01.

## WIFI SETTING AND FIREPLACE OPERATION

NOTE: Before log in TuyaSmart, Pressing the timer button 5 seconds until “--” blink quickly to activate WiFi.



1. Create an account and log in.
2. When you log in, the APP will scan and add the fireplace to APP(FIG.2) automatically. Touch “add” to enter in FIG.3. Touch “+” to enter FIG.4. Touch “Done” to finish Wi-fi setting.

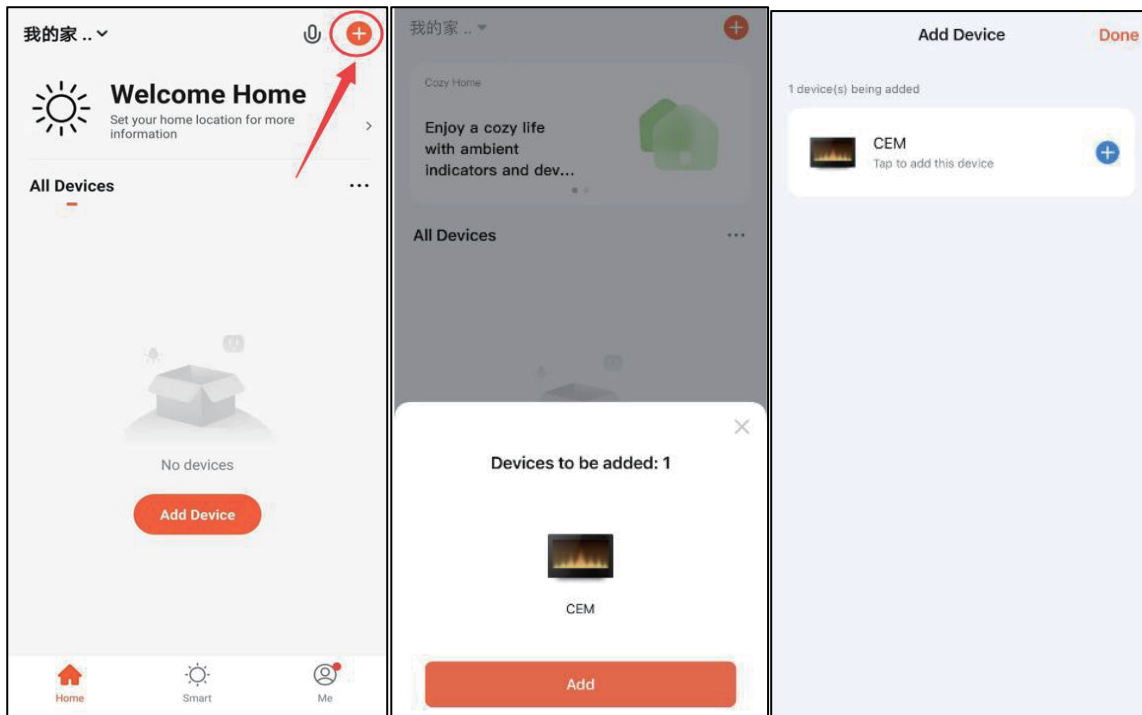


FIG.1

FIG.2

FIG.3

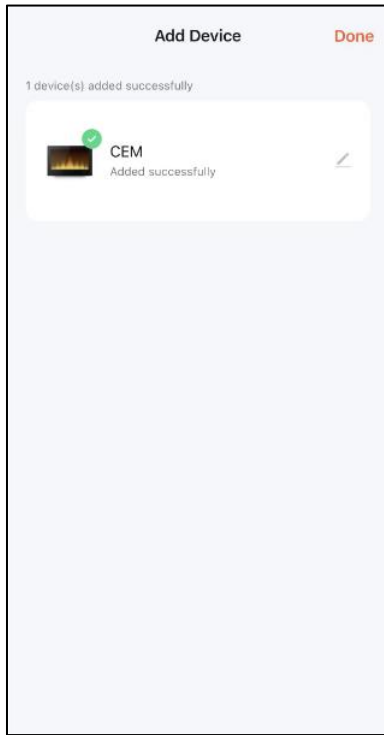


FIG.4

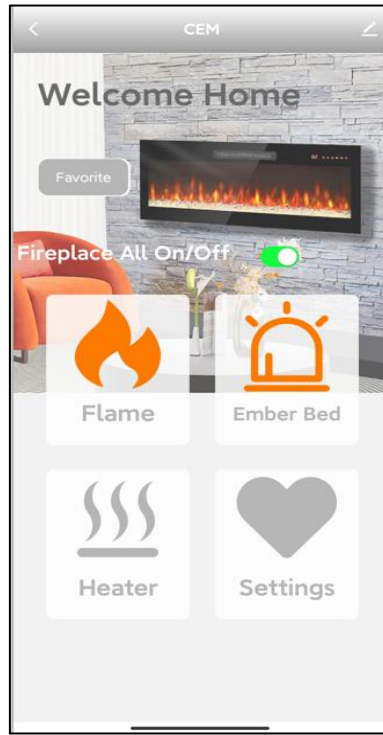


FIG.5

3. Now you are in the interface like FIG.5. You can operate the fireplace via Wi-fi.

# REMOTE CONTROL

## Power

The Power Button turns the fireplace ON and OFF.

## Heater

The Heater Button turns the heat ON and OFF. Press “+” or “-” button to set the temperature.

## Flame

The Flame Button turns the flame ON and OFF. Press “+” or “-” button to set the flame color.

## Ember bed

The Ember Bed Button turns the ember bed ON and OFF. Press “+” or “-” button to set the ember bed color.

## Timer

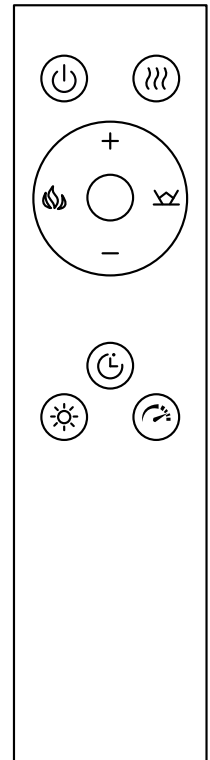
The Timer Button turns the timer ON and OFF. Press “+” or “-” button to set the timer.

## Brightness

The Brightness Button is used to adjust the brightness of flame and ember bed.

## Speed

The Speed Button is used to adjust the flame speed.

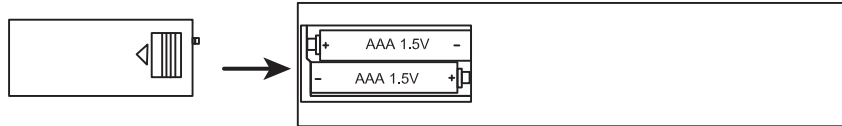


# BATTERIES REPLACEMENT

The battery compartment is located on the back end of the remote control.

1. Press and slide the battery cover open.
2. Insert two 1.5V (AAA) batteries ensuring they are installed correctly with regard to the polarities (+ and -) marked on the inside of the battery compartment.
3. Replace the battery cover.

NOTE: The battery should be removed if the product is to be left unused for a long time.



When replacing the batteries, replace both batteries at the same time with new batteries of the correct type.

- Do not mix old and new batteries.
- Do not mix alkaline, standard (Carbon-Zinc), or rechargeable (Nicad, Nimh, etc) batteries.

## FCC STATEMENT

This device complies with part 15 of the FCC Rules. Operation is subject to the following two conditions: (1) This device may not cause harmful interference, and (2) this device must accept any interference received, including interference that may cause undesired operation.

This equipment has been tested and found to comply with the limits for a Class B digital device, pursuant to part 15 of the FCC Rules. These limits are designed to provide reasonable protection against harmful interference in a residential installation. This equipment generates, uses and can radiate radio frequency energy and, if not installed and used in accordance with the instructions, may cause harmful interference to radio communications. However, there is no guarantee that interference will not occur in a particular installation. If this equipment does cause harmful interference to radio or television reception, which can be determined by turning the equipment off and on, the user is encouraged to try to correct the interference by one or more of the following measures:

- Reorient or relocate the receiving antenna.
- Increase the separation between the equipment and receiver.
- Connect the equipment into an outlet on a circuit different from that to which the receiver is connected.
- Consult the dealer or an experienced radio/TV technician for help.

**CAUTION:** Changes or modifications not expressly approved by the party responsible for compliance could void the user's authority to operate the equipment.

# MAINTENANCE

Clean the metal trim using a water-dampened soft, clean cloth. DO NOT use brass polish or household cleaners as these products will damage the metal trim.

The motors used on the fan and the flame generator assembly are prelubricated for extended bearing life and require no further lubrication. However, periodic cleaning/vacuuming of the fan/heater and air intake/output vents is recommended. The heater should be cleaned and inspected regularly, depending on conditions, and at least at yearly intervals.

**WARNING:** Any electrical repairs of this unit should be carried out by a licensed electrician in accordance with national and local codes.

**WARNING:** Disconnect power by unplugging the power and allowing heater to cool before attempting any maintenance or cleaning to reduce the risk of fire, electric shock, or injury.

**NOTE:** When the heater is not in use, the heater should be stored in a dry location, away from possible damage. The power cord should be stored properly to avoid contact with hot or sharp objects.

# TROUBLESHOOTING

Fault code	Fault Cause	Solution
E3	The heater not working.	If the vents are dirty or clogged. Unplug the power, clean the dust and debris of the vent area. Wait for 5 minutes, plug in and turn on the heater. If the heater still don't work, please call after-sales service.

# 1 YEAR LIMITED WARRANTY

Our electrical fireplace is free from manufacturing and material defects for a period of one year from date of purchase, subject to the following conditions and limitations.

1. This electric fireplace must be installed and operated at all times in accordance with the installation and operating instructions furnished with the product, Any unauthorized repair, alteration, willful abuse, accident, or misuse of the product shall nullify this warranty.
2. This warranty is non-transferable, and is made to the original owner, provided that the purchase was made through an authorized supplier of the company.
3. The warranty is limited to the repair or replacement of parts found to be defective in material or workmanship, provided that such part(s) have been subjected to normal conditions of use and service, after said defect is confirmed by the Company's inspection.
4. The Company may, at its discretion, fully discharge all obligation with respect to this warranty by refunding the wholesale price of the defective part(s).
5. Any installation, labor, construction, transportation, or other related costs/expenses arising from defective part(s), repair, replacement, or otherwise of same, will not be covered by this warranty, nor shall the Company assume responsibility for same.
6. The owner/user assumes all other risks, if any, including the risk of any direct, indirect or consequential loss or damage arising out of the use, or inability to use the product, except as provided by law.
7. All other warranties-expressed or implied-with respect to the product, its components and accessories, or any obligation/liabilities on the part of the Company are hereby expressly included.
8. The Company neither assumes, nor authorizes any third party to assume, on its behalf, any other liabilities with respect to the sale of our product.
9. The warranties as outlined within this document do not apply to non our accessories used in conjunction with the installation of this product. This warranty is void if :
  - a. The fireplace is subjected to prolonged periods of dampness or condensation.
  - b. Any unauthorized alteration, willful abuse, accident, or misuse of the product.
  - c. You do not have the original receipt of purchase.

Made in China  
Printed in China