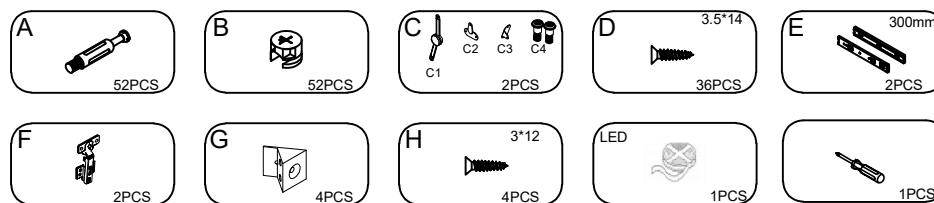
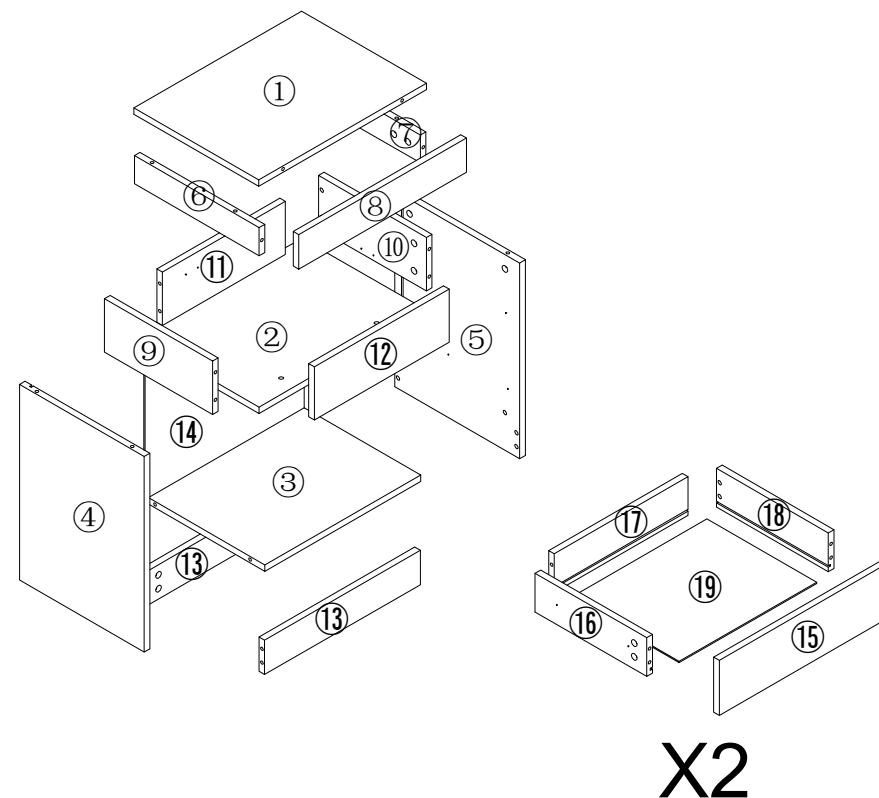
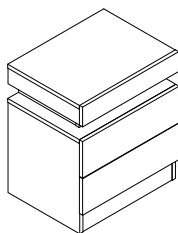


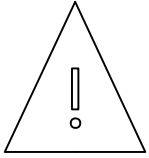
## ASSEMBLY INSTRUCTION

- IT would be best if you set aside and organize all pieces & corresponding “nuts/bolts” first.
- Please follow the instructions to assemble the items correctly.
- Could be assembled by one person ,but would recommend two.
- Please ensure the safety of the glass when assembling.
- Do not make the screws too loose or too tight.
- As shown in the figure ,Insert the screw into the hole.  
The arrow in the picture .Then rotate 90° or 180° clockwise.
- The remaining parts are spare parts.
- If any problems, please contact us via email for support and replacement:  
and you will get reply within 24 hours.

## SAFETY INFORMATION

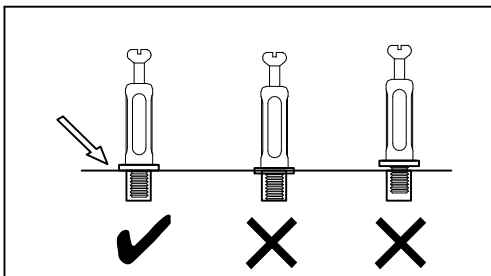
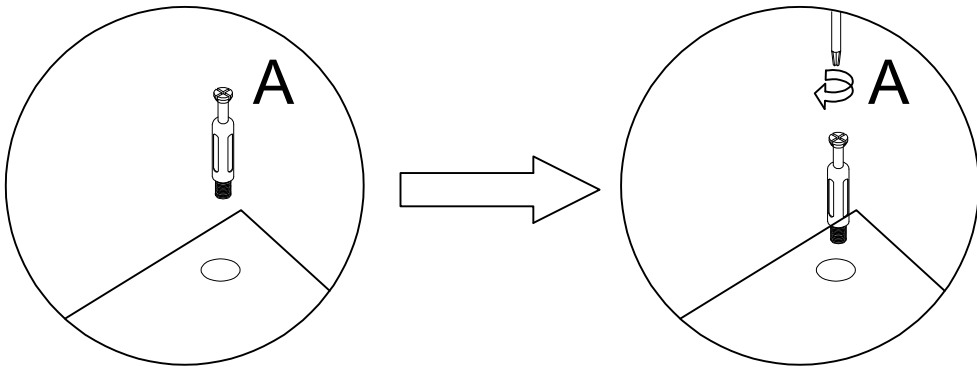
- The accessory bag contains some small accessories, which should be kept away from children.
- Kids are not allowed to climb or play with the product for safety reasons.



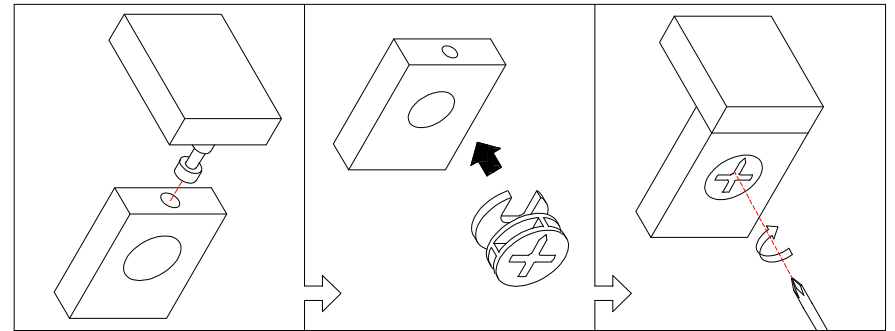


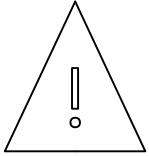
## Hardware installation demonstration

- Please make sure "A" hardware tightened and can't be pulled out



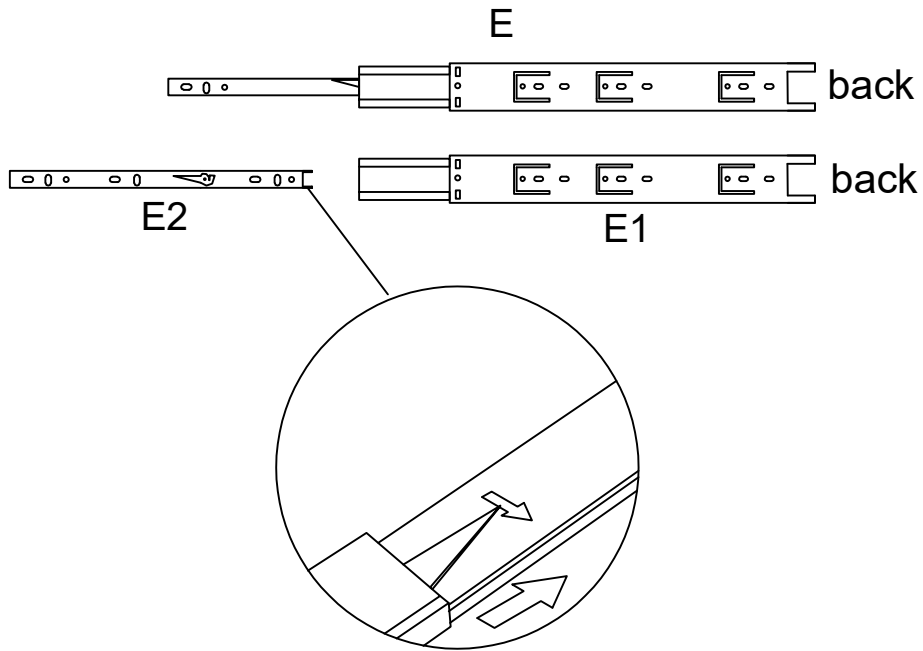
- When inserting cam ensure arrowhead on cam points toward to the hole on the panel edge



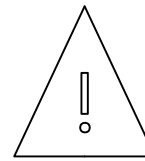


## Hardware installation demonstration

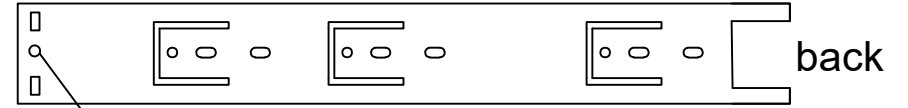
- Before installing the drawer rail, you need to separate the E1 and E2 first.



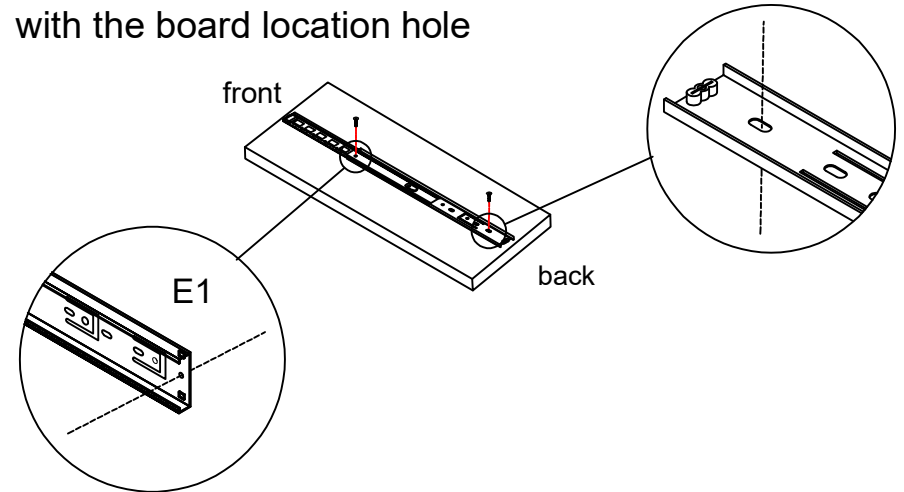
Warm Reminder : Press it and split.



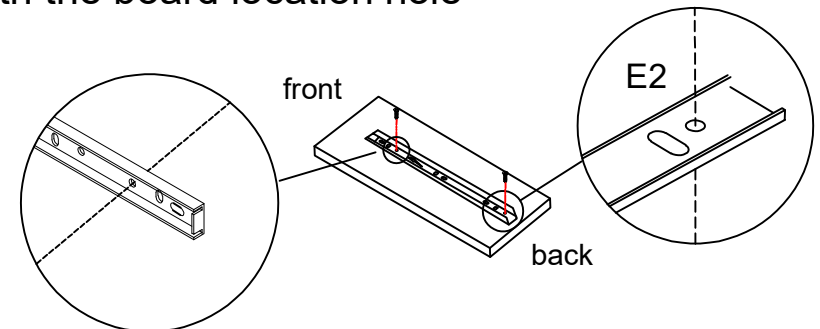
## Hardware installation demonstration



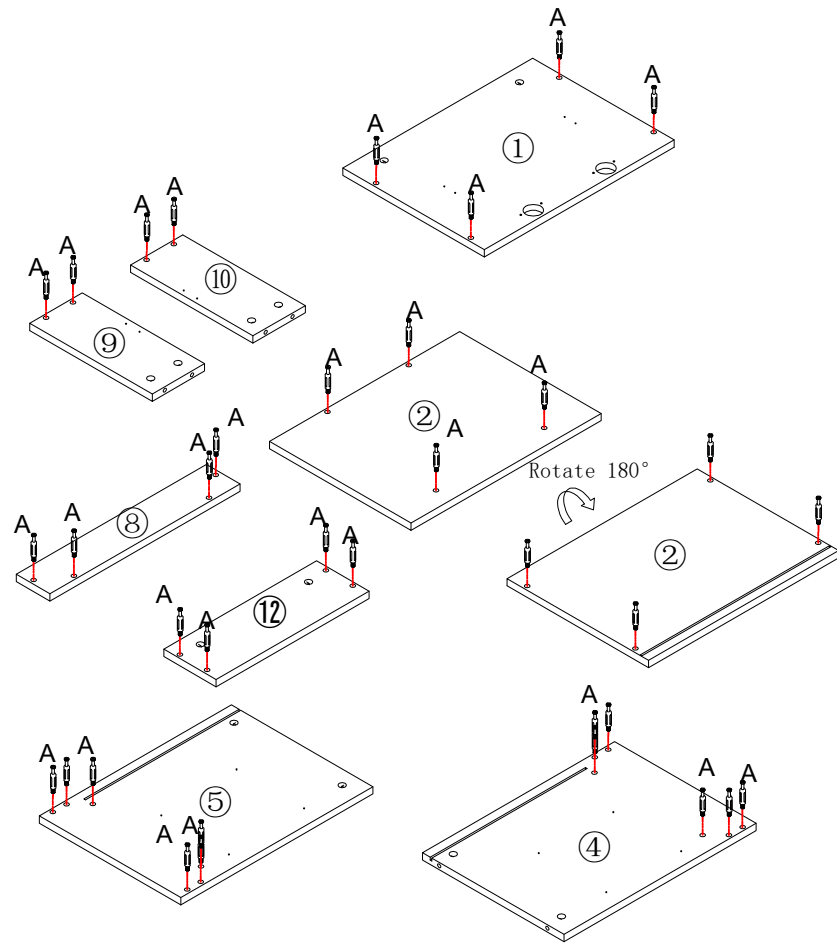
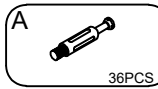
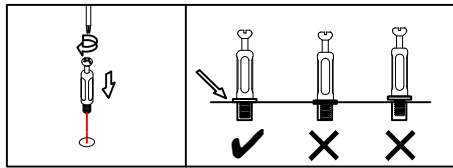
The first screw hole should corresponded with the board location hole



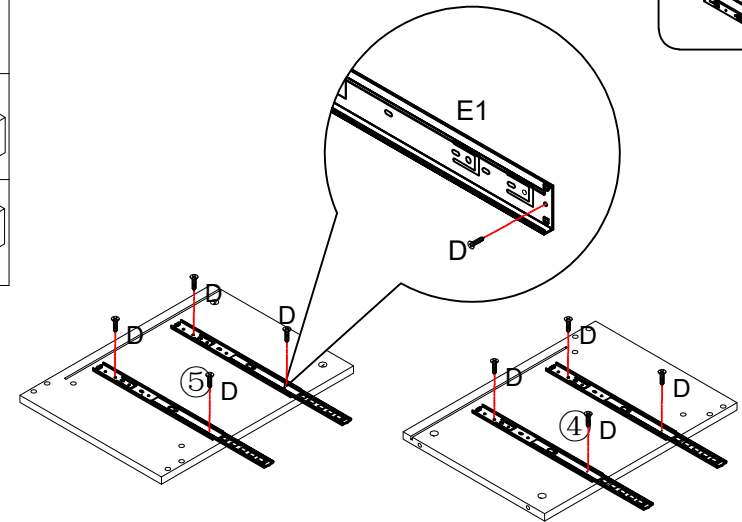
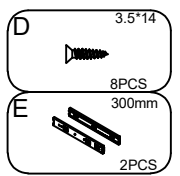
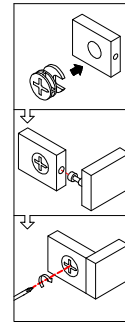
The first screw hole should corresponded with the board location hole



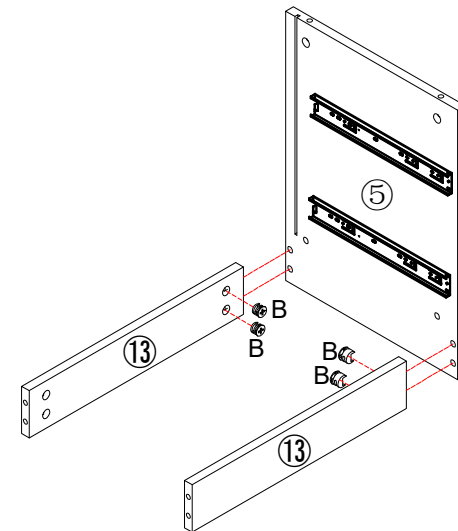
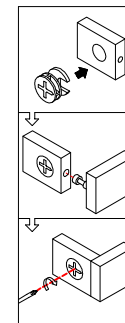
# STEP 1



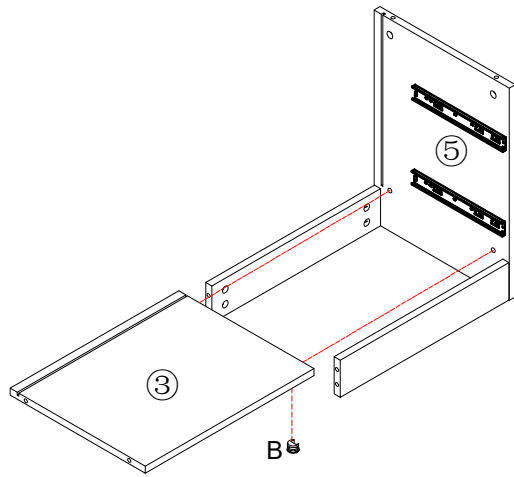
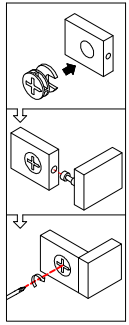
# STEP 2



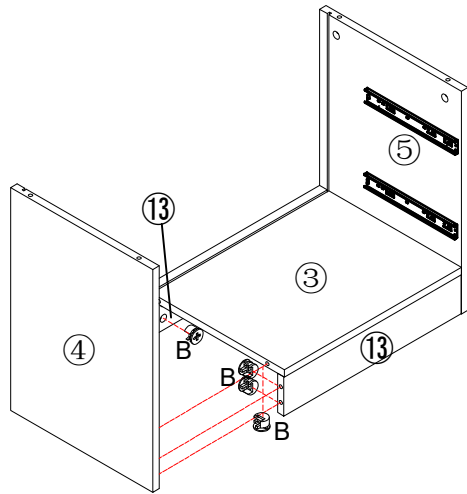
# STEP 3



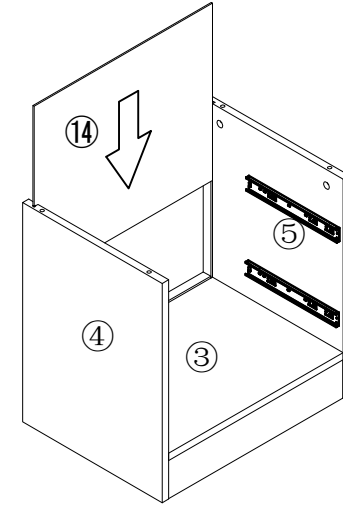
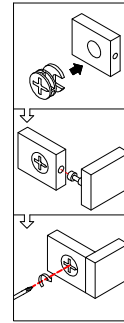
### STEP 4



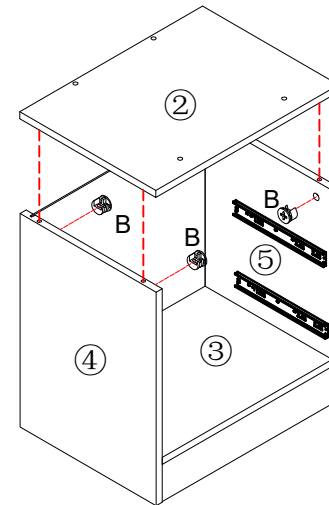
### STEP 5



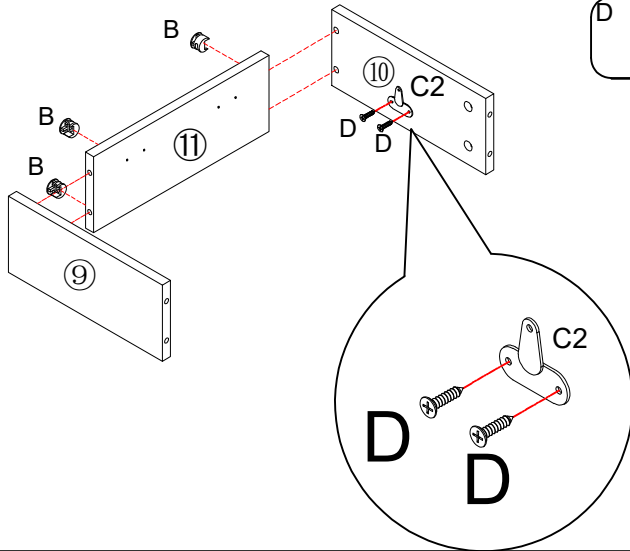
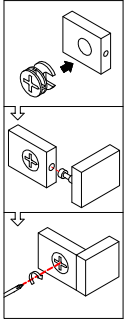
### STEP 6



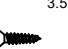


### STEP 7

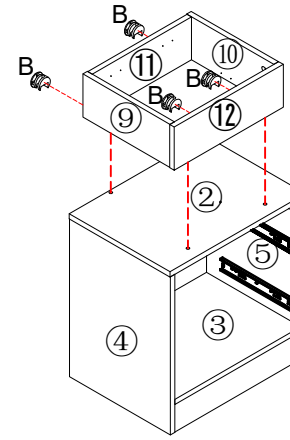
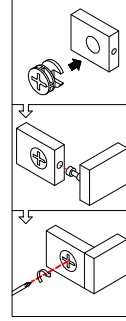


### STEP 8



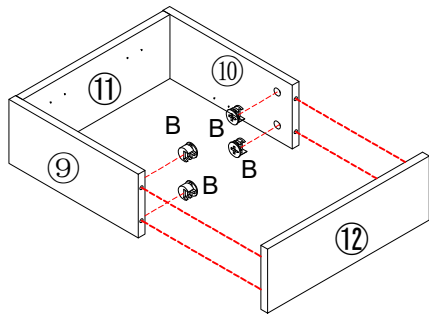
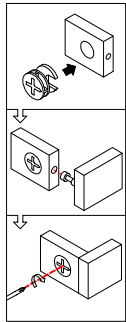
- B  4PCS
- C2  2PCS  
3.5\*14
- D  4PCS

### STEP 10



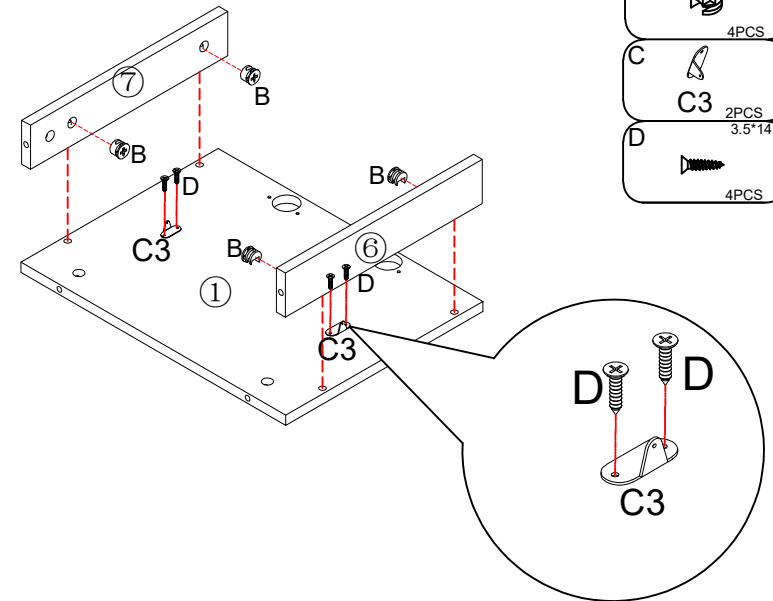
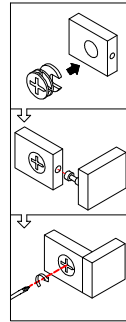
- B  4PCS



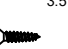
### STEP 9



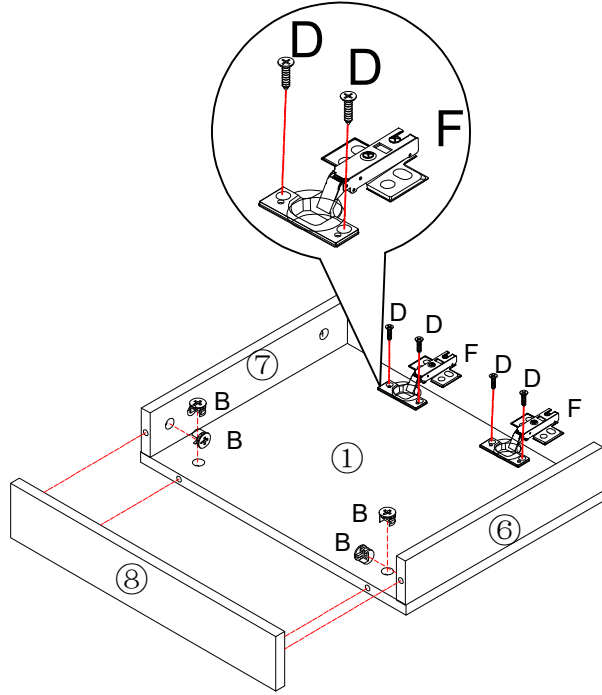
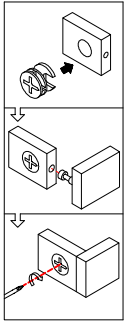
- B  4PCS

### STEP 11



- B  4PCS
- C3  2PCS  
3.5\*14
- D  4PCS

### STEP 12

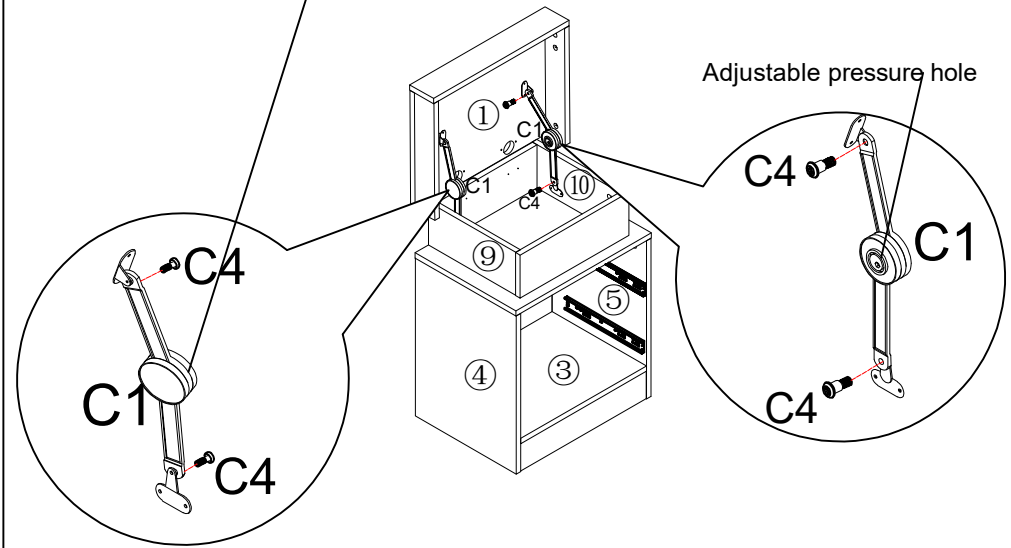


- B** 4PCS  
3.5\*14
- D** 4PCS
- F** 2PCS

### STEP 14

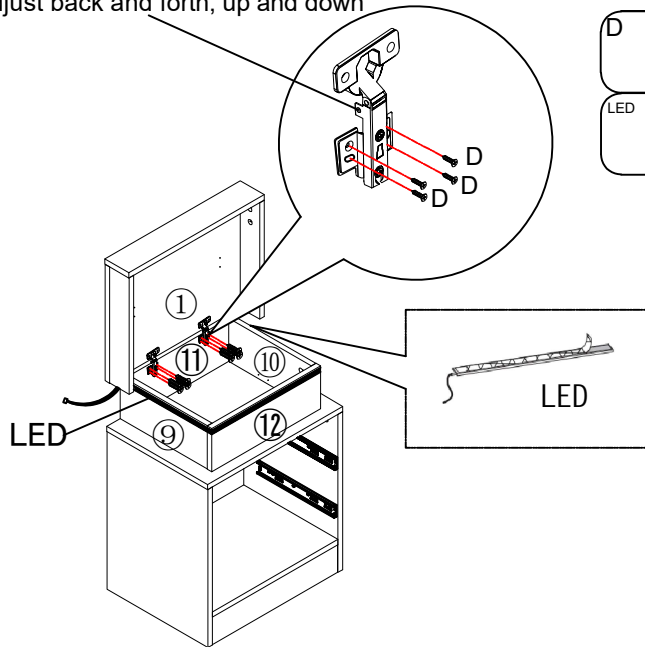
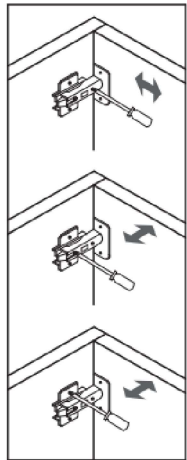
When installing C1, place the adjustable pressure holes opposite each other, with the three circles facing forward

- C** C1 2PCS
- C4** 2PCS



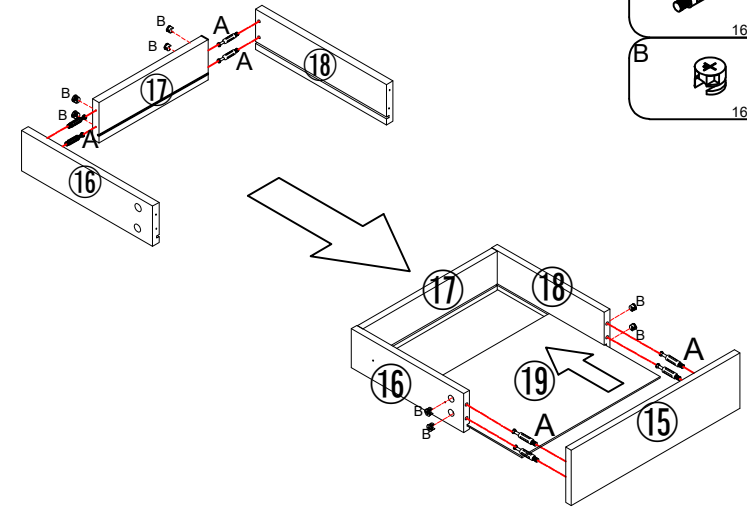
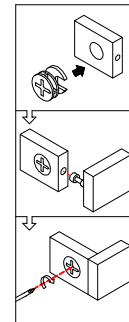
Adjust back and forth, up and down

### STEP 13



- D** 3.5\*14  
8PCS
- LED** 1PCS

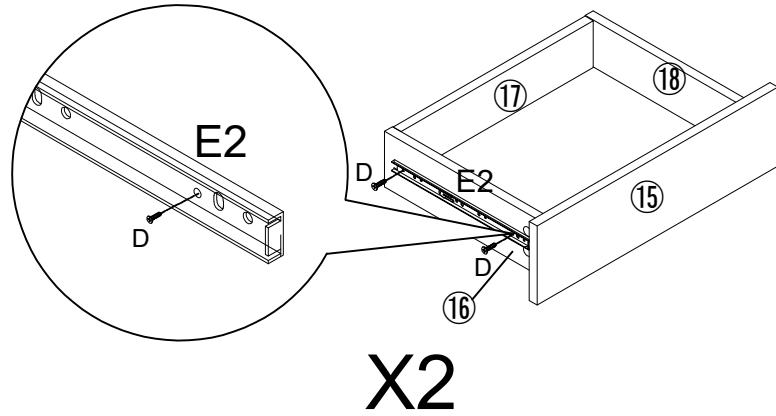
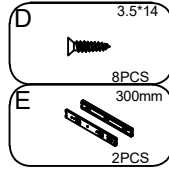
### STEP 15



- A** 16PCS
- B** 16PCS

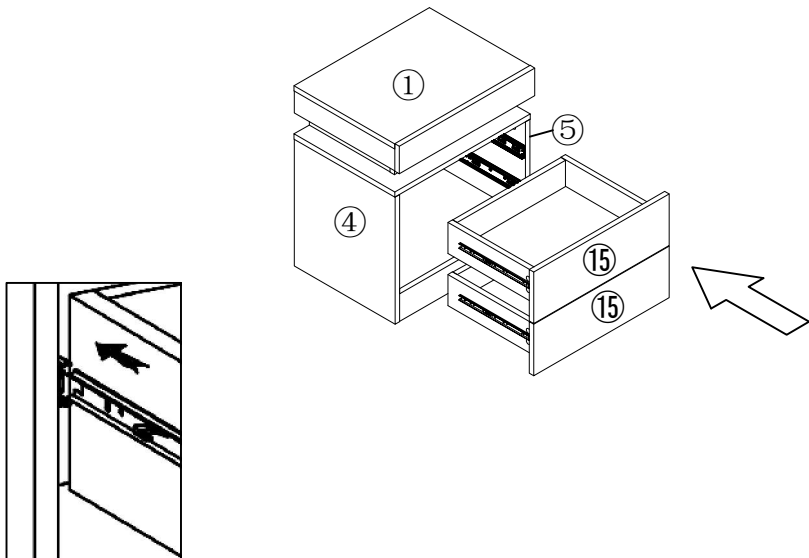
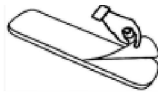
X2

# STEP 16



# STEP 17

For the high gloss panel, please peel off the plastic film after assembling



# STEP 18

